



# ASSEMBLY INSTRUCTIONS

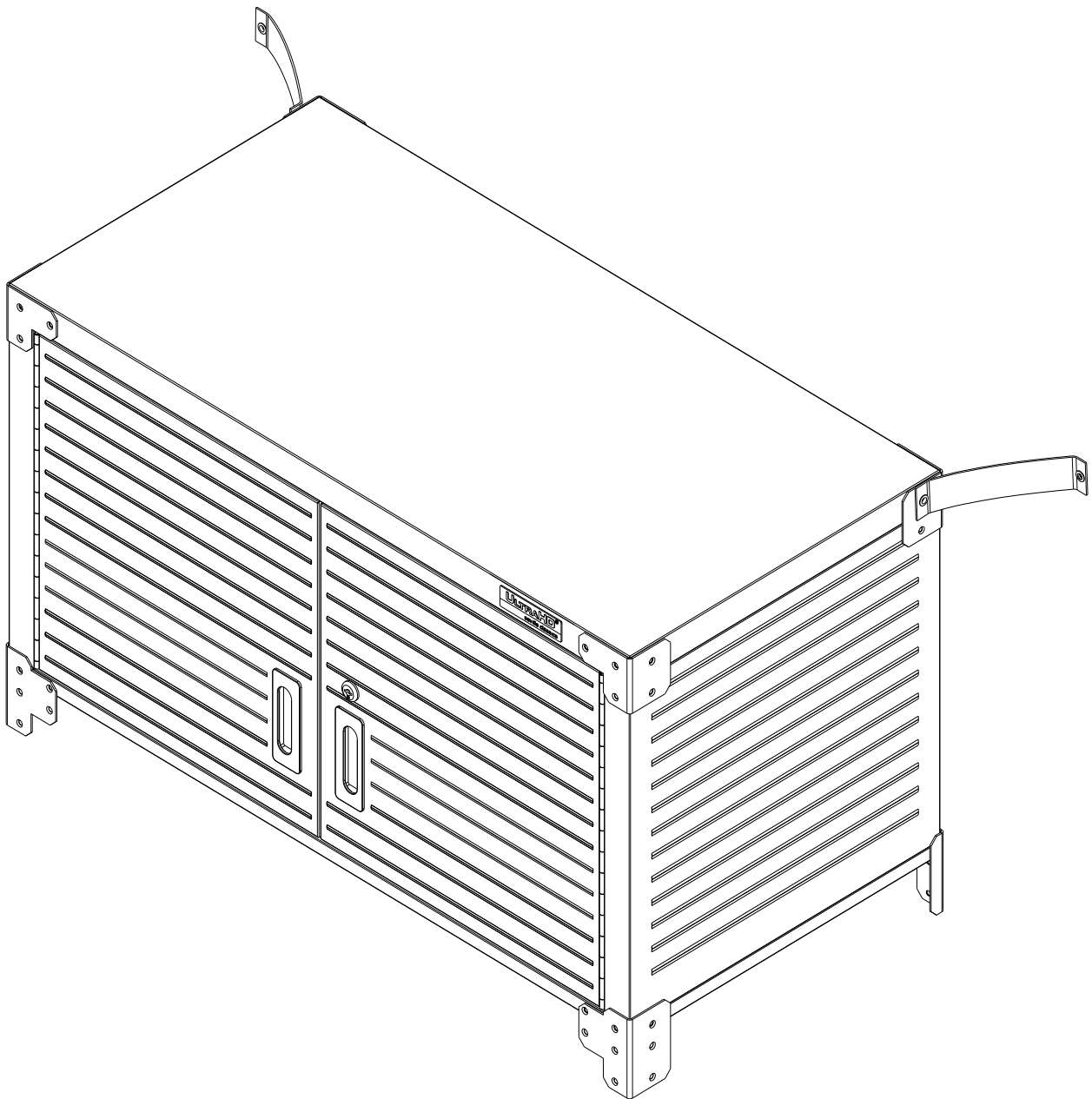
## UltraHD Cabinet Stacker (Model No. WEB346)

36in. W x 18in. D x 18.5in. H  
(91.4cm x 45.7cm x 46.9cm H)

**ULTRAGUARD®**

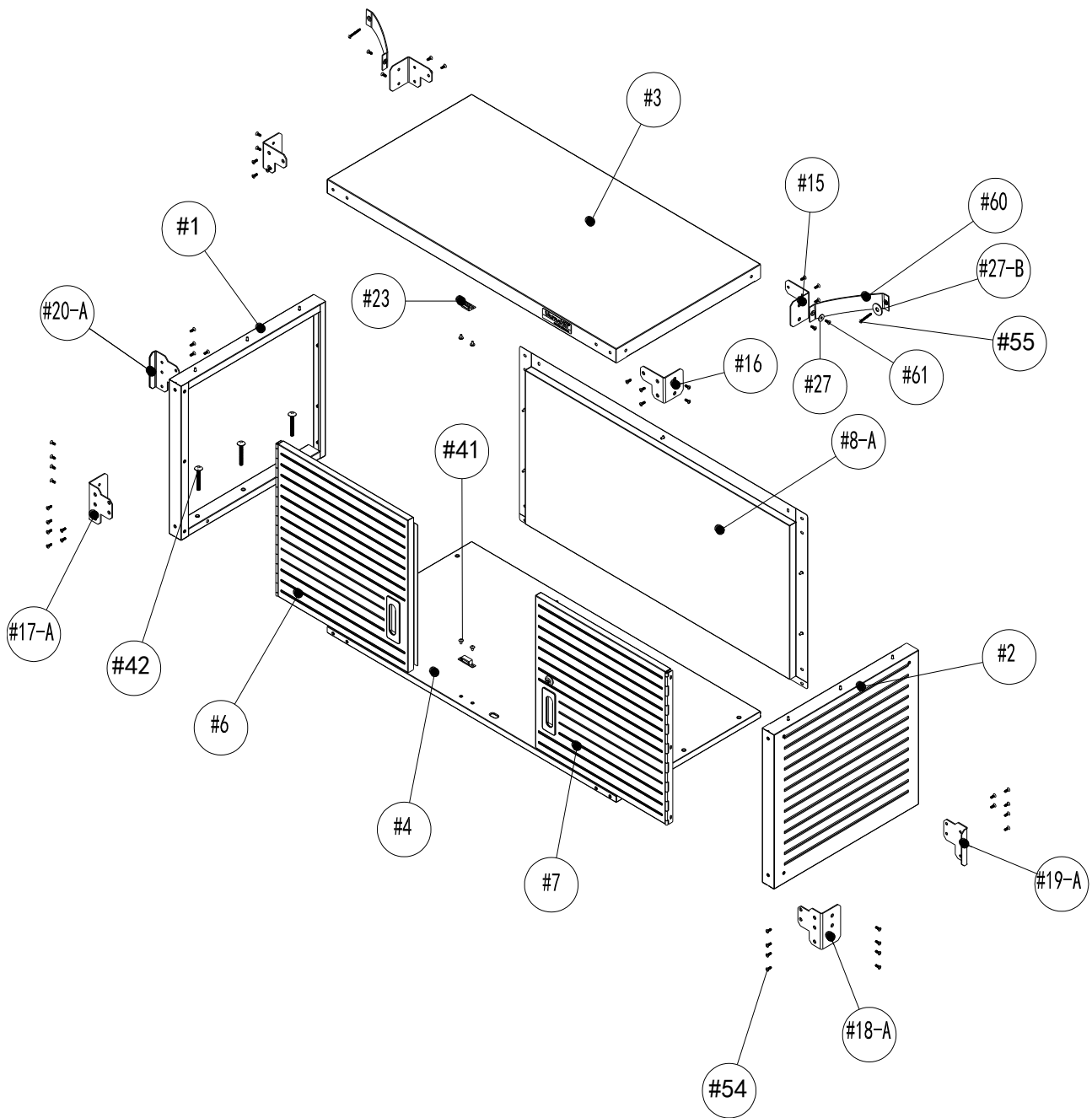
FINGERPRINT RESISTANT SURFACES  
AND INCREASED DURABILITY

Reference page 9 for special care  
and maintenance of stainless steel



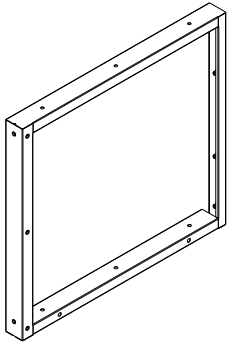
Mounts on top of 16236 UltraHD Tall Cabinet

TR160531

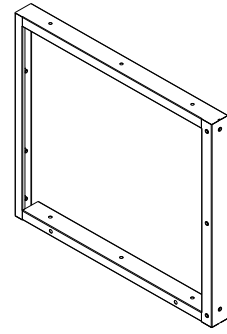


# PARTS LIST (pg 2 of 10)

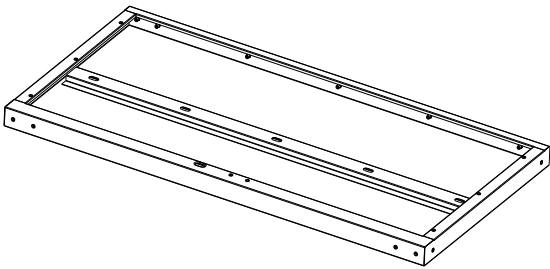
Please check the parts carefully according to the parts list. If you are missing any parts, please contact our customer service department. (please refer to page 10 of 10) .



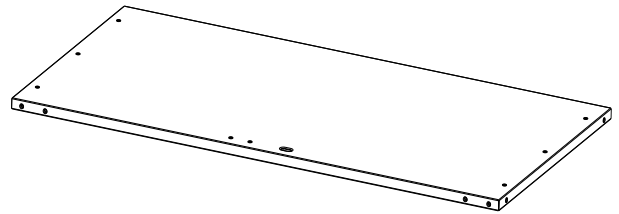
(#1) Left Panel x 1 PC



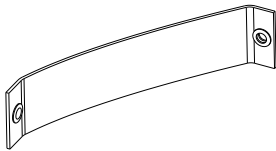
(#2) Right Panel x 1 PC



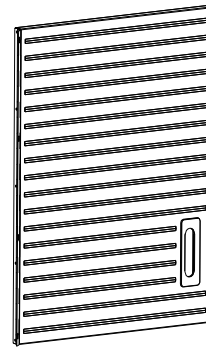
(#3) Top Panel x 1 PC



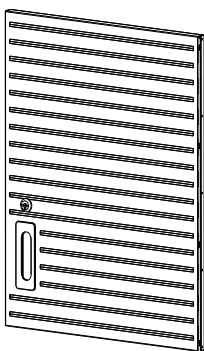
(#4) Bottom Panel x 1 PC



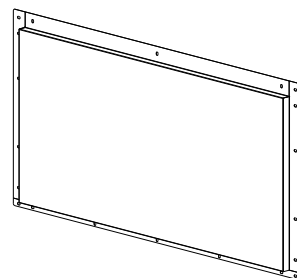
(#60) Mounting Strap x 2 PCS



(#6) Left Door x 1 PC



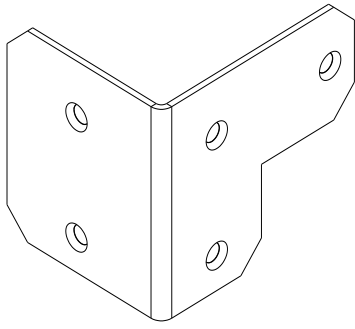
(#7) Right Door x 1 PC



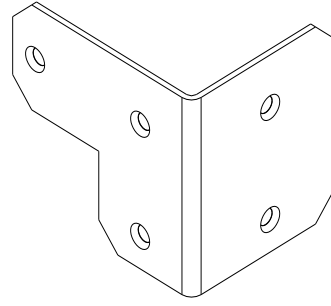
(#8-A) Back Panel x 1 PC

# PARTS LIST (pg 3 of 10)

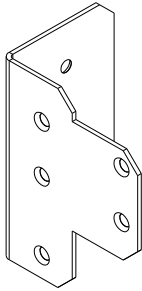
Please check the parts carefully according to the parts list. If you are missing any parts, please contact our customer service department. (please refer to page 10 of 10) .



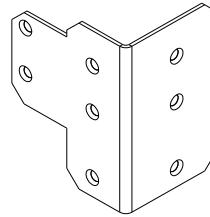
(#15) Corner Protection A x 2 PCS



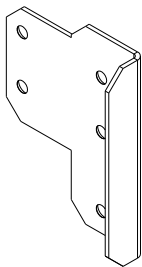
(#16) Corner Protection B x 2 PCS



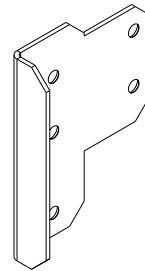
(#17-A) Left Front Bottom Corner Protection x 1 PC



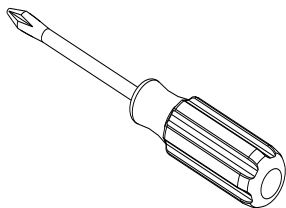
(#18-A) Right Front Bottom Corner Protection x 1 PC



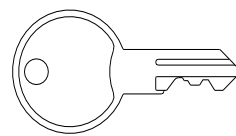
(#19-A) Right Back Bottom Corner Protection x 1 PC



(#20-A) Left Back Bottom Corner Protection x 1 PC



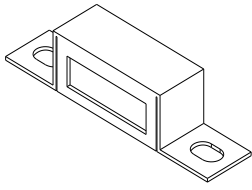
(#21) Screw Driver x 1 PC



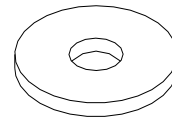
(#22) KEY x 2 PCS

# PARTS LIST (pg 4 of 10)

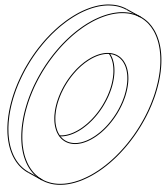
Please check the parts carefully according to the parts list. If you are missing any parts, please contact our customer service department. (please refer to page 10 of 10) .



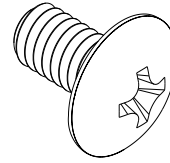
(#23) Magnet x 2 PCS



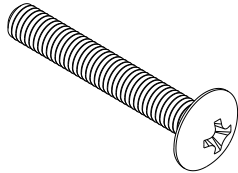
(#27) WASHER (M4) x 2PCS



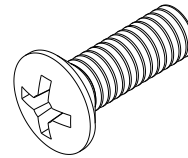
(#27-B) WASHER (M8) x 2 PCS



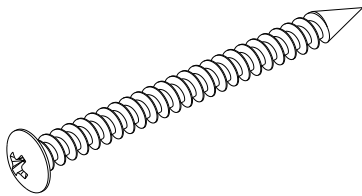
(#41) Screw F (M4 x 8L) x 26 PCS



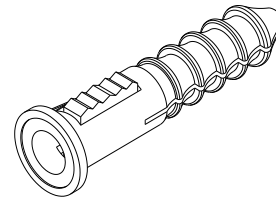
(#42) Screw G (M4 x 30L) x 6 PCS



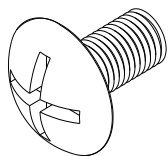
(#54) Screw N (M4 x 10L) x 46 PCS



(#55) Screw M (M6 x 50L) x 2 PCS



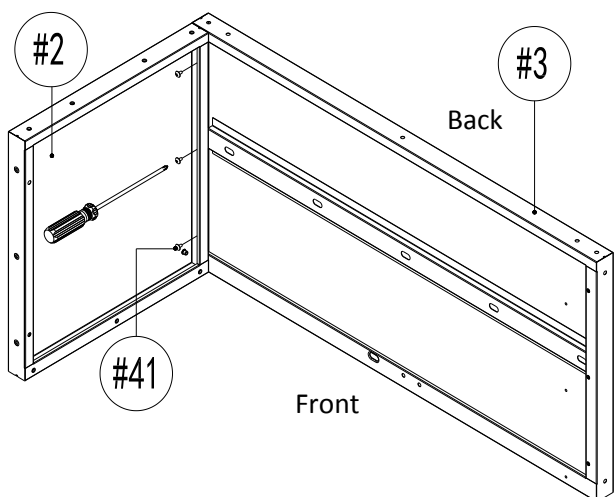
(#55-A) Wall Anchor x 2 PCS



(#61) Screw O (M4 x 12L) x 2 PCS

# ASSEMBLY INSTRUCTIONS (pg 5 of 10)

## UltraHD Cabinet Stacker (Model No. WEB346)

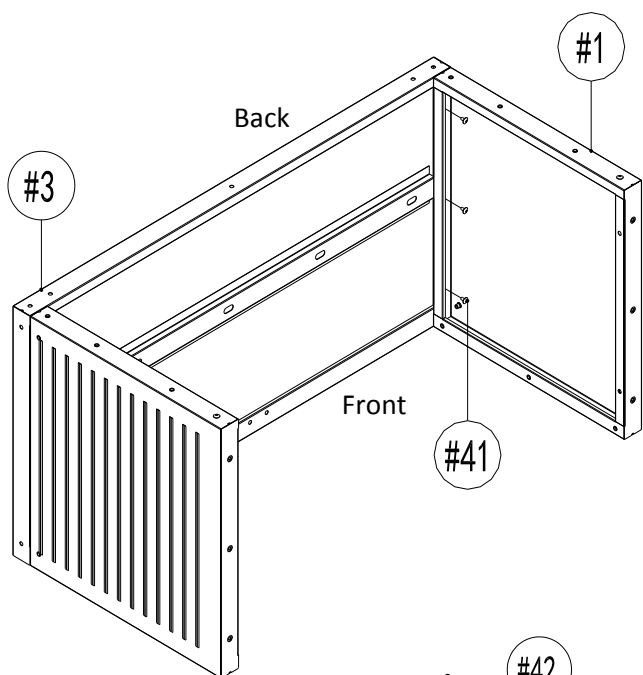


**TIP: A magnetic screwdriver is included for your convenience. If a power screwdriver is used, keep on a low torque setting.**

**WARNING:** For your safety, 2 people are recommended to assemble and attach this product.

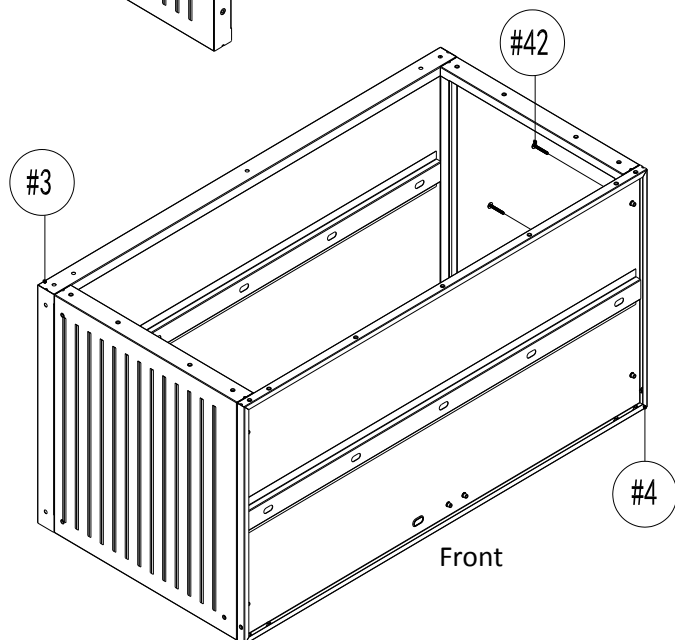
### Step 1: Install Right Panel (#2) to the Top Panel (#3)

Place the Right Panel (#2) on the ground vertically. Make sure the front of the panel faces downward. Place the Top Panel (#3) next to the Right Panel (#2). Line up the screw holes, use 3 pcs of Screw F (#41) to tighten.



### Step 2: Install Left Panel (#1)

Place the Top Panel (#3) and Left Panel (#1) vertically. Line up the screw holes, use 3 pcs of Screw F (#41) to tighten.

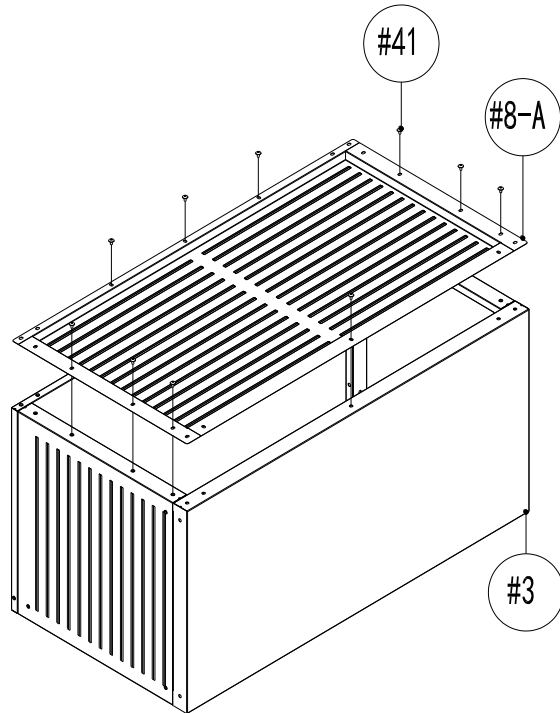


### Step 3: Install Bottom Panel (#4).

Attach the Bottom Panel (#4) to the Left and Right Side Panels (#1 and #2). Make sure the front of the panel faces downward. Use 6 pcs Screws G (#42) to assemble the panels.

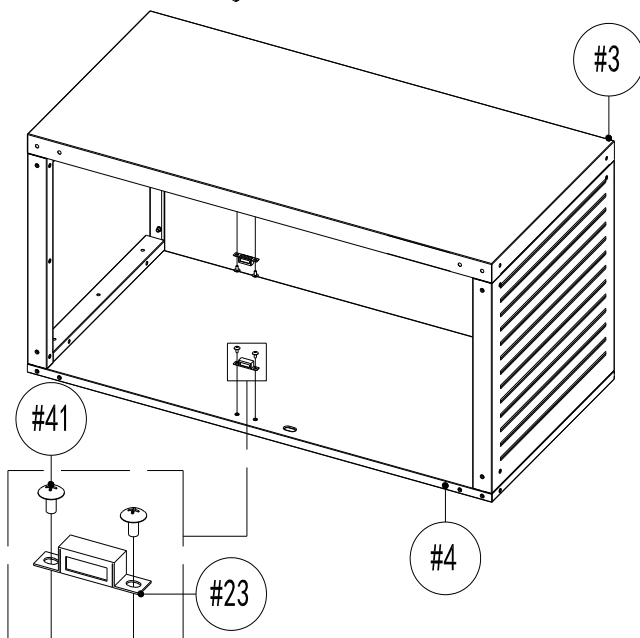
# ASSEMBLY INSTRUCTIONS (pg 6 of 10)

## UltraHD Cabinet Stacker (Model No. WEB346)



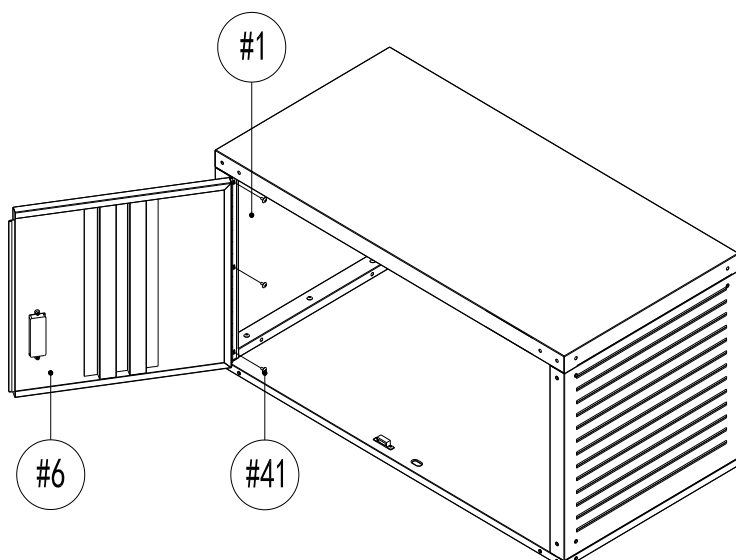
### Step 4: Install Back Panel (#8-A).

Place the Back Panel (#8-A) onto both Left and Right Side Panels (#1 and # 2) and Top and Bottom Panel (#3 and 4). Use the 10 pcs of Screw F (#41) to tighten.



### Step 5: Install Magnet (#23)

Use 4 pcs of Screw F (#41) to install the Magnet (#23) on the Top Panel (#3) and the Bottom Panel (#4).



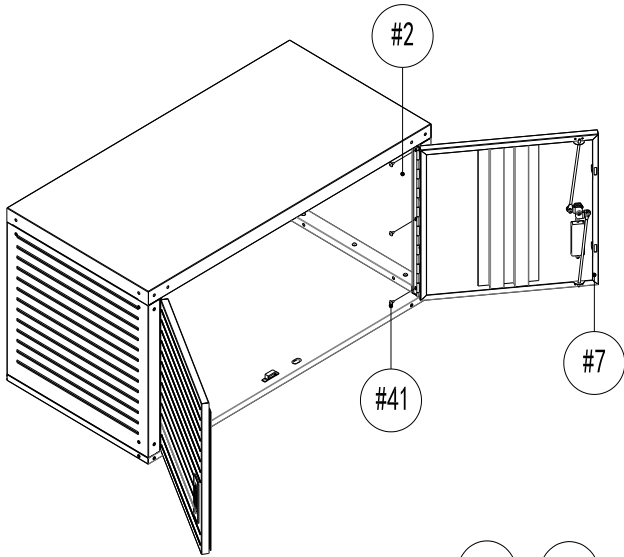
### Step 6: Install Left Door (#6)

Attach the Left Door (#6) to the Left Panel (#1). Use 3 pcs Screw F (#41) to tighten the Door Panel.

Note: The screw holes on the door hinge have tolerance, enabling the door to be adjusted and centered in the door frame.

# ASSEMBLY INSTRUCTIONS (pg 7 of 10)

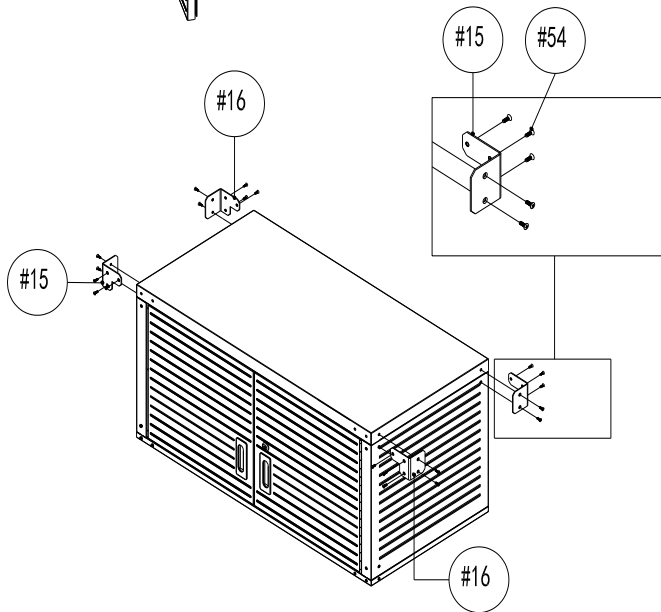
## UltraHD Cabinet Stacker (Model No. WEB346)



### Step 7: Install Right Door (#7)

Attach the Right Door (#7) to the Right Panel (#2). Use 3 pcs Screw F (#41) to tighten the Door Panel.

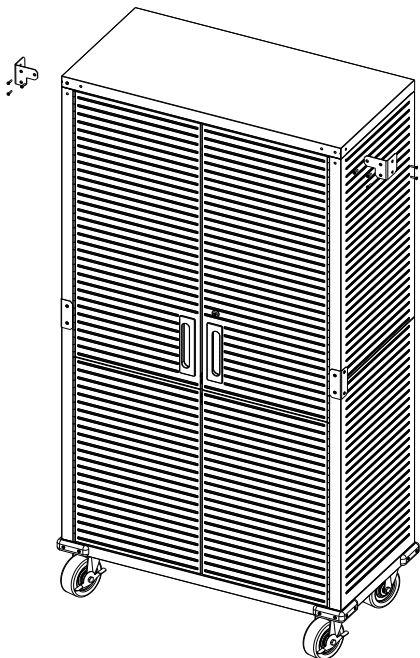
Note: The screw holes on the door hinge have tolerance, enabling the door to be adjusted and centered in the door frame.



### Step 8: Install the Corner Protection A&B (#15&16)

Use 20 pcs of Screws N (#54) to install the Corner Protection A and B (#15 and #16) onto the top of the cabinet.

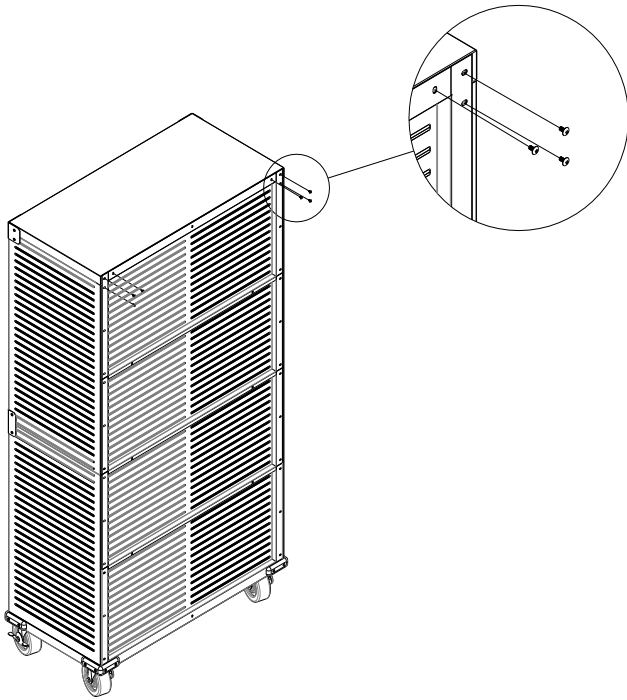
**Note Fully tighten the screws after all the corner protections are attached.**



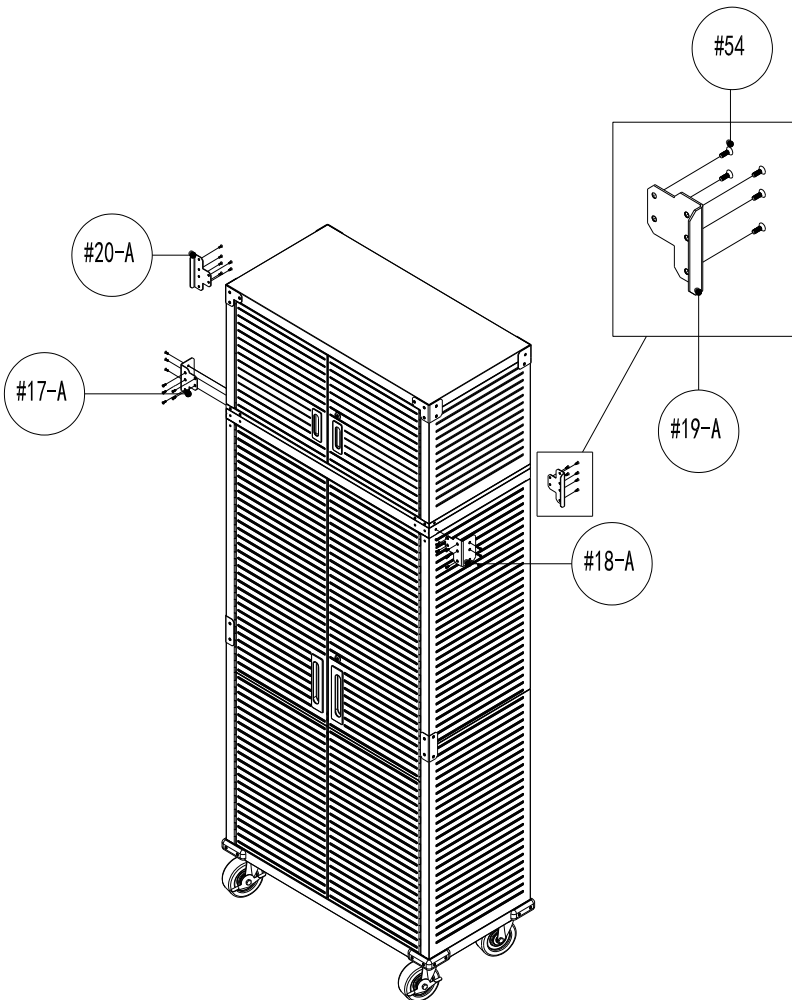
**Step 9: Remove the top Corner Protection brackets from Model No. 16236 Tall Cabinet as the left photo shows.**

# ASSEMBLY INSTRUCTIONS (pg 8 of 10)

## UltraHD Cabinet Stacker (Model No. WEB346)



**Step 10: Remove the 6 corner screws from the top back panel of 16236.**



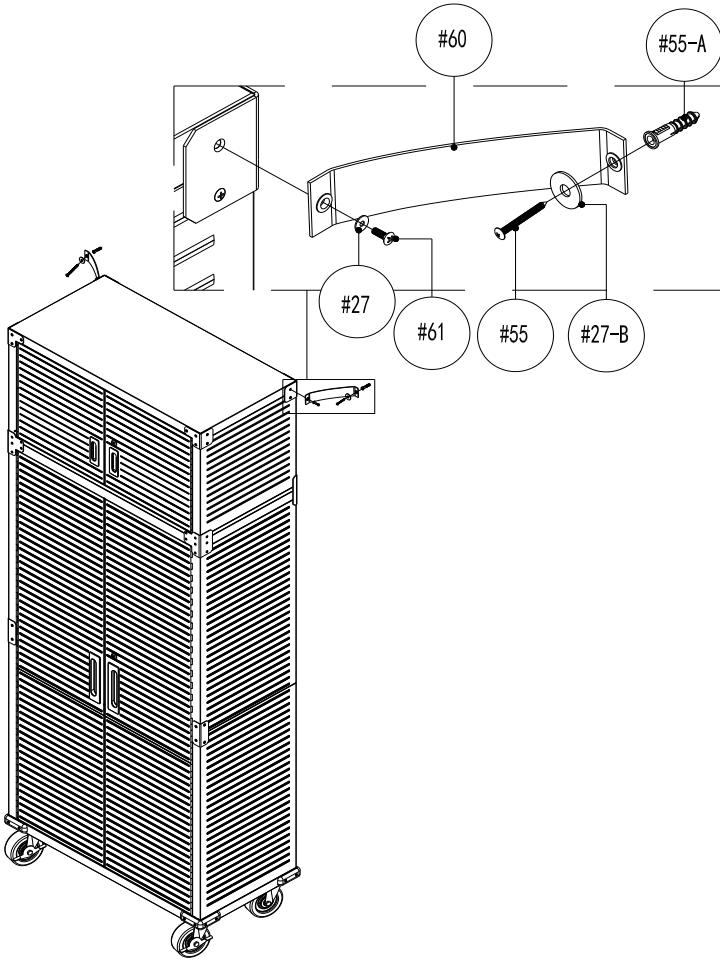
**Step 11: Attach Cabinet Stacker Model No. WEB346**

A. Place Cabinet Stacker Model No. WEB346 on top of 16236.

B. Attach the Left Front Bottom Corner Protection (#17-A), Right Front Bottom Corner Protection (#18-A), Right Back Bottom Corner Protection (#19-A), Left Back Bottom Corner Protection (#20-A) on the bottom of the cabinet, use 26 pcs of Screw N (#54) to tighten.

# ASSEMBLY INSTRUCTIONS (pg 9 of 10)

## UltraHD Cabinet Stacker (Model No. WEB346)



### Step 12: Install Mounting Strap (#60)

A. Remove 1 pc Screw N (#54) from the back corner protection.

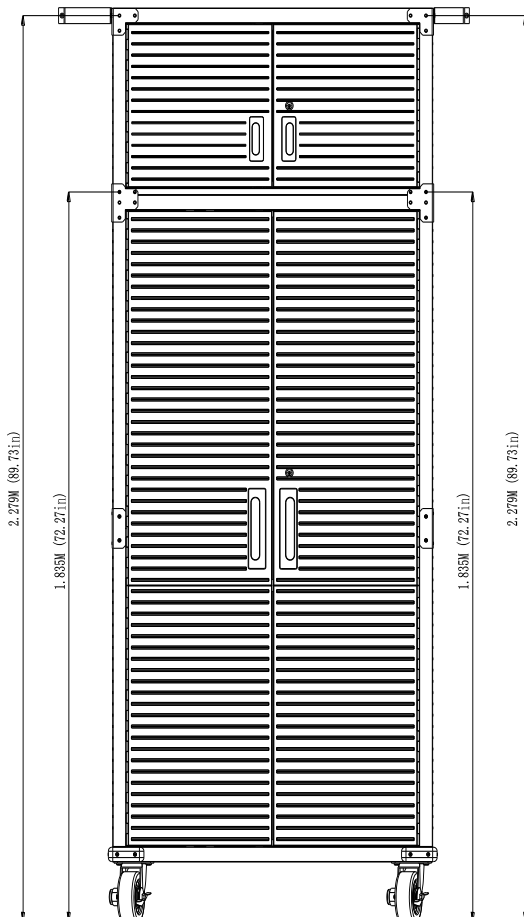
B. Attach the Mounting Strap (#60) to the back Corner Protection brackets as the left photo shows using Screw O (#61) and Washer (#27).

C. Drill a hole in the wall with a 5/16" drill bit, insert the Wall Anchor (#55-A) into the hole.

D. Attach the other end of the Mounting Strap (#60) to the wall using Screw M (#55) and Washer (#27-B).

**Repeat steps A through D to install the other mounting strap.**

**Warning: To prevent possible tipping, it is suggested that the Mounting Straps be installed. For safety, secure the mounting straps to wood studs whenever possible.**



### Stainless Steel Maintenance:

These parts have an UltraGuard™ fingerprint resistant finish. Do not use traditional stainless steel cleaners on this unit. Lightly wipe off once a month with clean warm water and a soft cloth (preferably a micro fiber cloth). This is the safest formula to prevent new stains from appearing over time and manage unwanted fingerprints or grease marks. Remember to always wipe in the direction of the surface grain (NEVER ACROSS) and always use a lint-free cloth. Once the surface is clean, thoroughly wipe dry with a soft absorbent cloth.

## CONTACT INFORMATION (pg 10 of 10)

\*If you are missing any parts, have any questions, or need additional assistance in assembly, please contact our bilingual (English and Spanish) customer service department at:



**Seville Classics, Inc.**  
19401 South Harborage Way  
Torrance, CA 90501  
USA

Telephone: (800) 323-5565 within USA

Hours: 9:00am - 4:30pm (Pacific Standard Time)

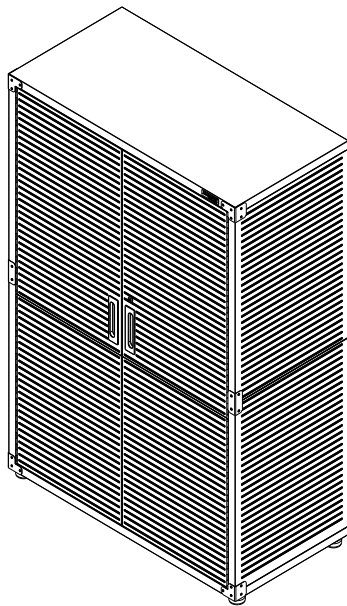
Fax: (310) 533-3899

E-mail: [support@sevilleclassics.com](mailto:support@sevilleclassics.com)

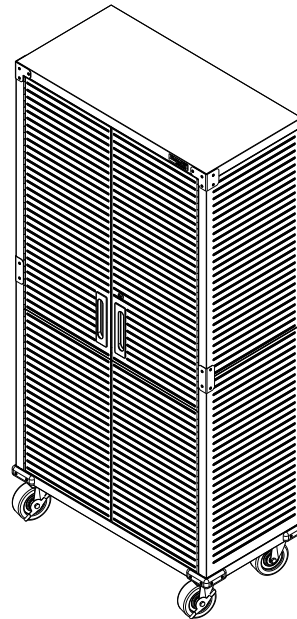
Website & Online Store: [www.sevilleclassics.com](http://www.sevilleclassics.com)

**\*\*\*Please visit our website or call and inquire about our additional UltraHD Line\*\*\***

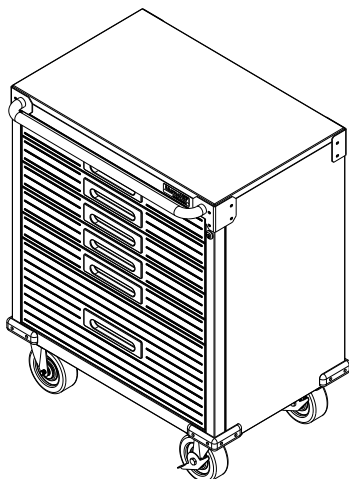
## UltraHD Line



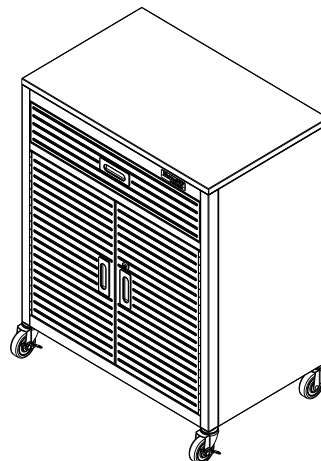
**Model No. 16238**  
**UltraHD Mega Storage Cabinet**



**Model No. 16236**  
**UltraHD Tall Storage Cabinet**

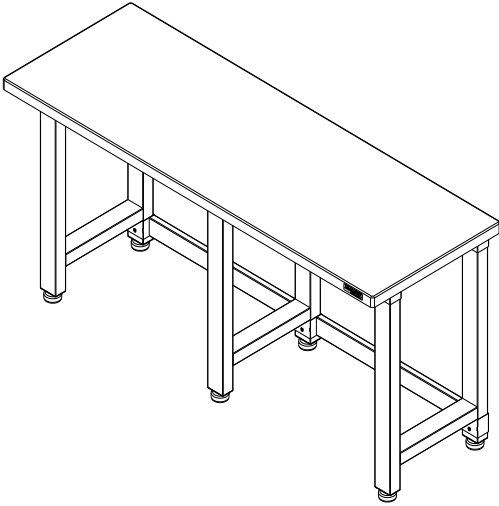


**Model No. 20204**  
**UltraHD 6-Drawer Rolling Cabinet**

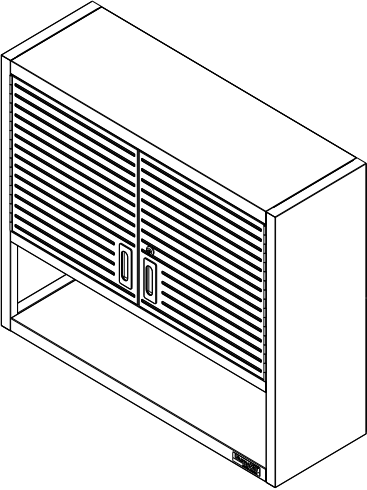


**Model No. 20238**  
**UltraHD Rolling Cabinet**

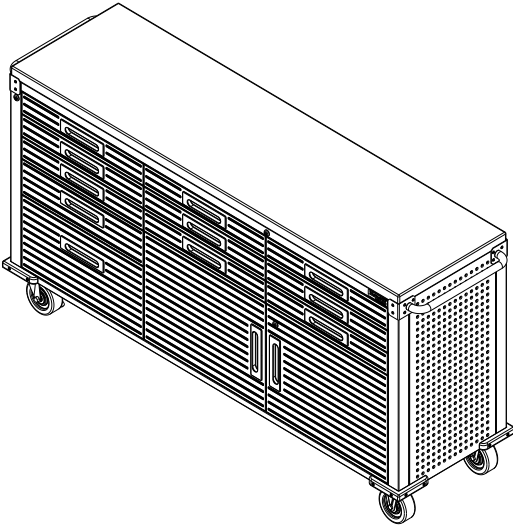
# UltraHD Line



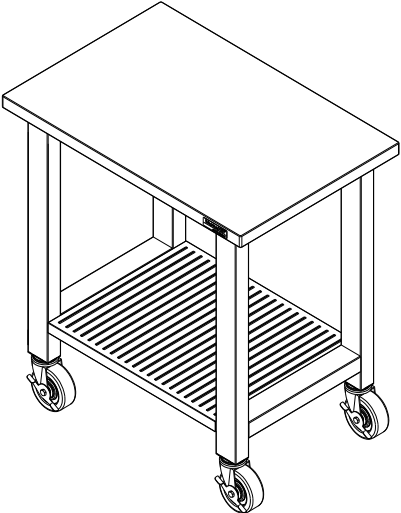
**Model No. 20206**  
**UltraHD Workbench**



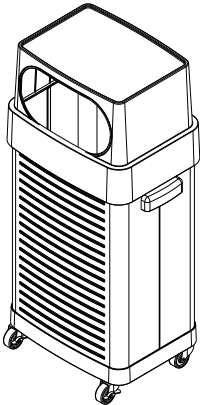
**Model No. 20230**  
**UltraHD Wall Cabinet**



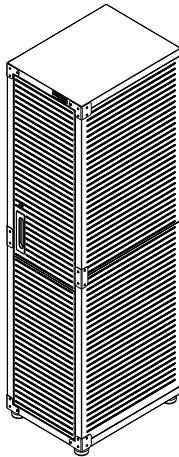
**Model No. 20262**  
**UltraHD Rolling Workbench**



**Model No. 20283**  
**UltraHD Mobile Workstation**



**Model No. 20215**  
**UltraHD Trash Bin**



**Model No. 16221**  
**UltraHD Locker Gear Cabinet**