

Ulti MATE

FULLY MODULAR / EXPANDABLE DESIGN

PRO GARAGE

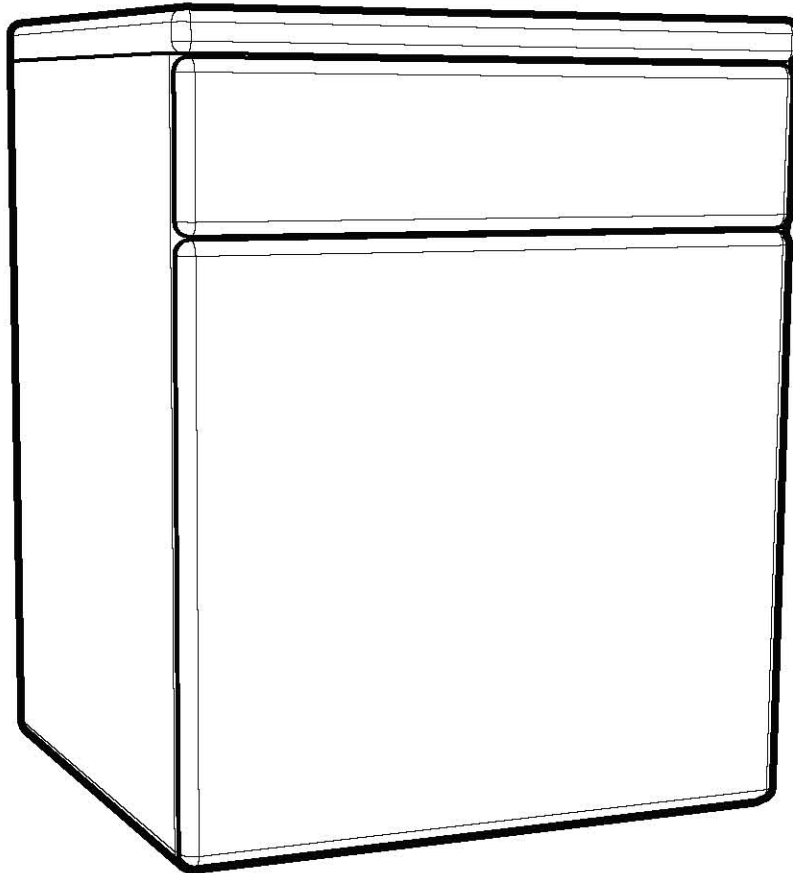
ASSEMBLY INSTRUCTIONS

One Door / One Drawer Base Cabinet

Model Number # GA-03P

In the unlikely event of missing or damaged parts

PLEASE CALL: 800-344-7005



PARTS LIST



BASE CABINET MODEL #GA-03P

In the unlikely event of missing or damaged parts
PLEASE CALL: 800-344-7005

TOOLS NEEDED FOR ASSEMBLY



#	DESCRIPTION	QTY	IMAGE	#	DESCRIPTION	QTY	IMAGE
a	Side Panel (LEFT)	1		b	Drawer Face	1	
c	Side Panel (RIGHT)	1		d	Door	1	
e	Bottom Panel	1		f	Drawer (BACK)	1	
g	Top Work Surface	1		h	Drawer (BOTTOM)	1	
i	Back Panel	1		j	Drawer (RIGHT)	1	
k	Drawer (LEFT)	1		l	Spanner (TOP)	1	
m	Spanner (BOTTOM)	1		n	Wall Cleat	1	
				o	Shelf (ADJUSTABLE)	1	

PARTS LIST



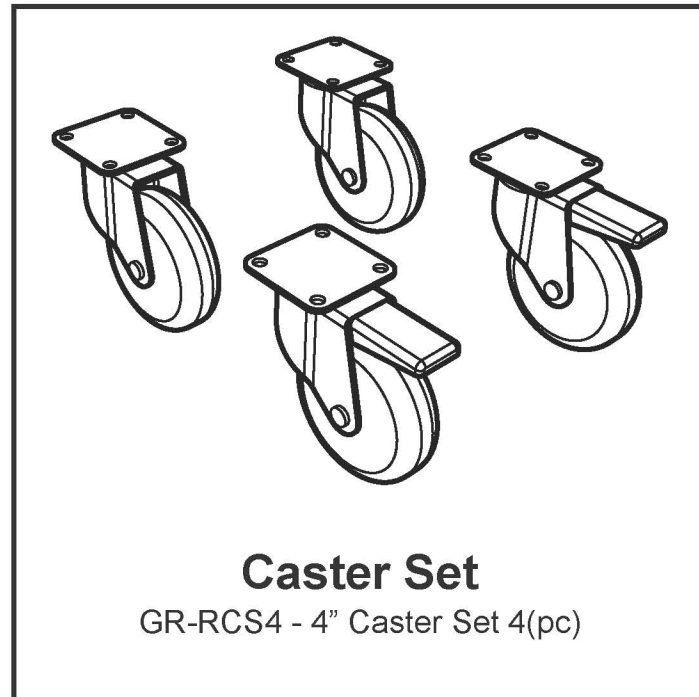
BASE CABINET MODEL #GA-03P

In the unlikely event of missing or damaged parts
PLEASE CALL: 800-344-7005

#	DESCRIPTION	QTY	IMAGE	#	DESCRIPTION	QTY	IMAGE
aa	Screw (7.0 x 50mm)	4		bb	Wooden Dowel	8	
cc	Cam	16		dd	Metal Dowel	16	
ee	Hinge	2		ff	Screw (3.5 x 12mm)	4	
gg	Screw (4.5 x 55mm)	2		hh	Shelf Clip	4	
ii	Screw (4 x 15mm)	4		jj	Wall Anchor	2	
kk	Wall Cleat Grommet	2		ll	Screw (4.5 x 42mm)	4	
mm	Touch Up Paint	1		nn	Logo Plate	1	
				oo	Screw (6.3 x 12mm)	4	

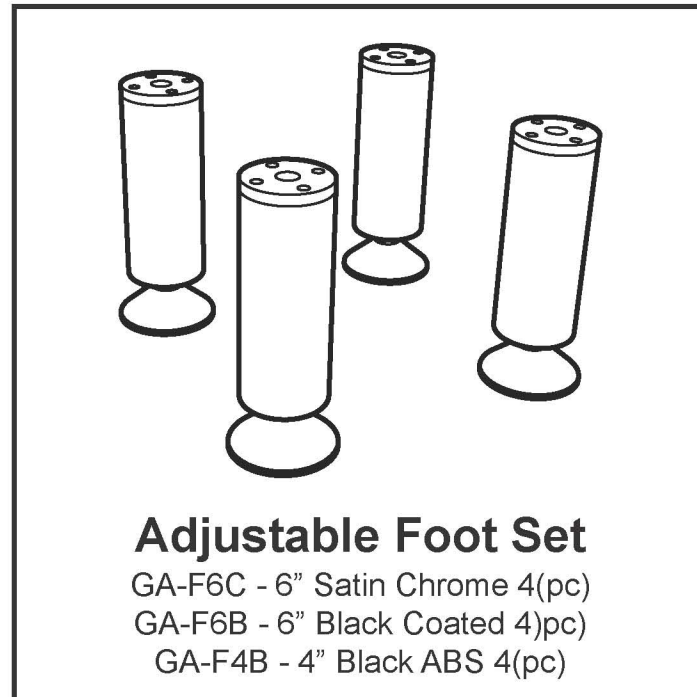
USE THESE ACCESSORIES WITH ULTIMATE PRO GARAGE

Visit www.ebladez.com or call 800-344-7005



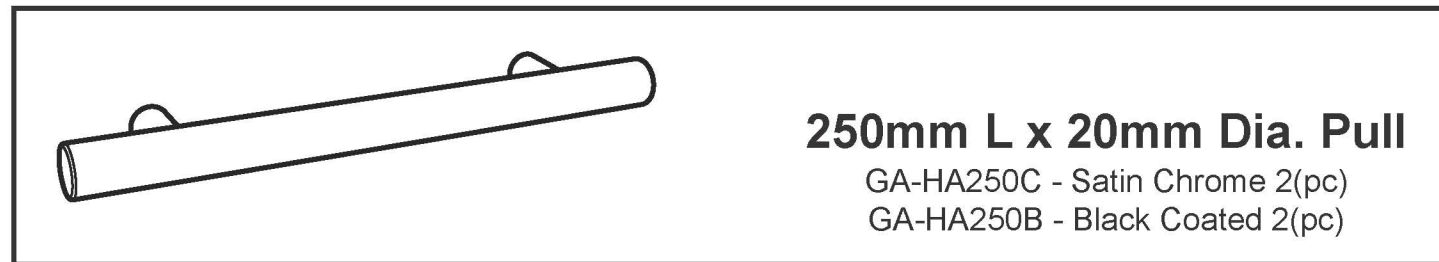
Caster Set

GR-RCS4 - 4" Caster Set 4(pc)



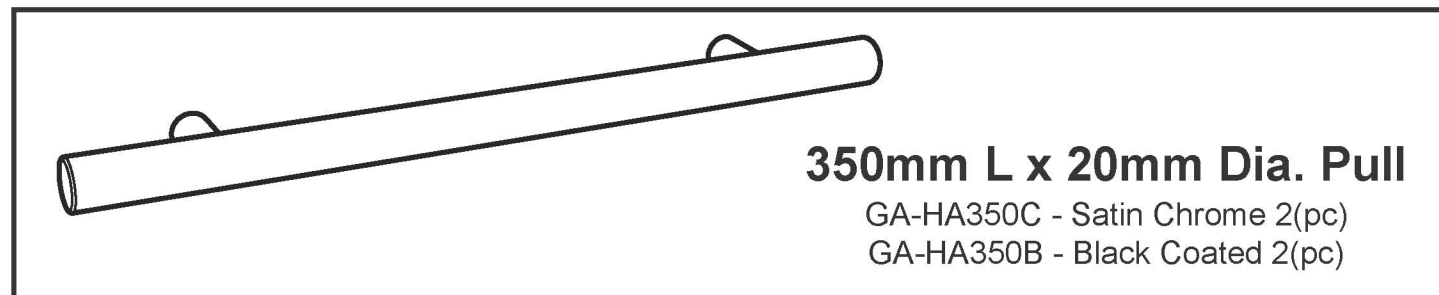
Adjustable Foot Set

GA-F6C - 6" Satin Chrome 4(pc)
GA-F6B - 6" Black Coated 4(pc)
GA-F4B - 4" Black ABS 4(pc)



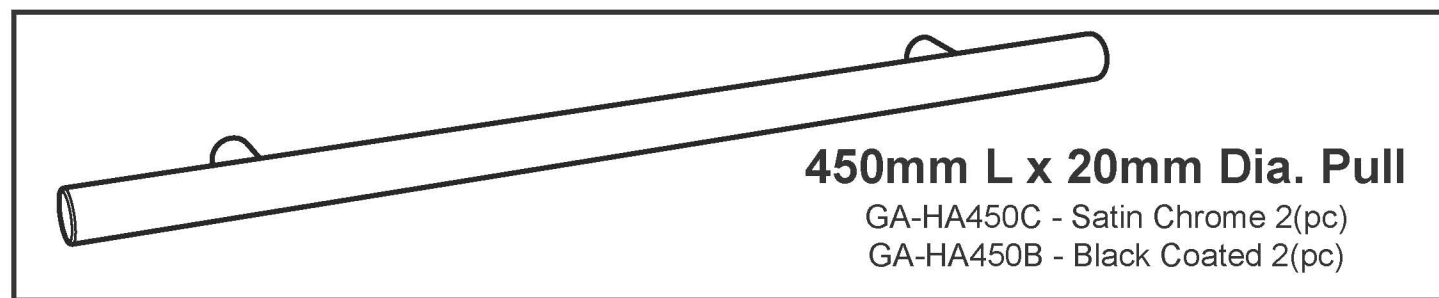
250mm L x 20mm Dia. Pull

GA-HA250C - Satin Chrome 2(pc)
GA-HA250B - Black Coated 2(pc)



350mm L x 20mm Dia. Pull

GA-HA350C - Satin Chrome 2(pc)
GA-HA350B - Black Coated 2(pc)

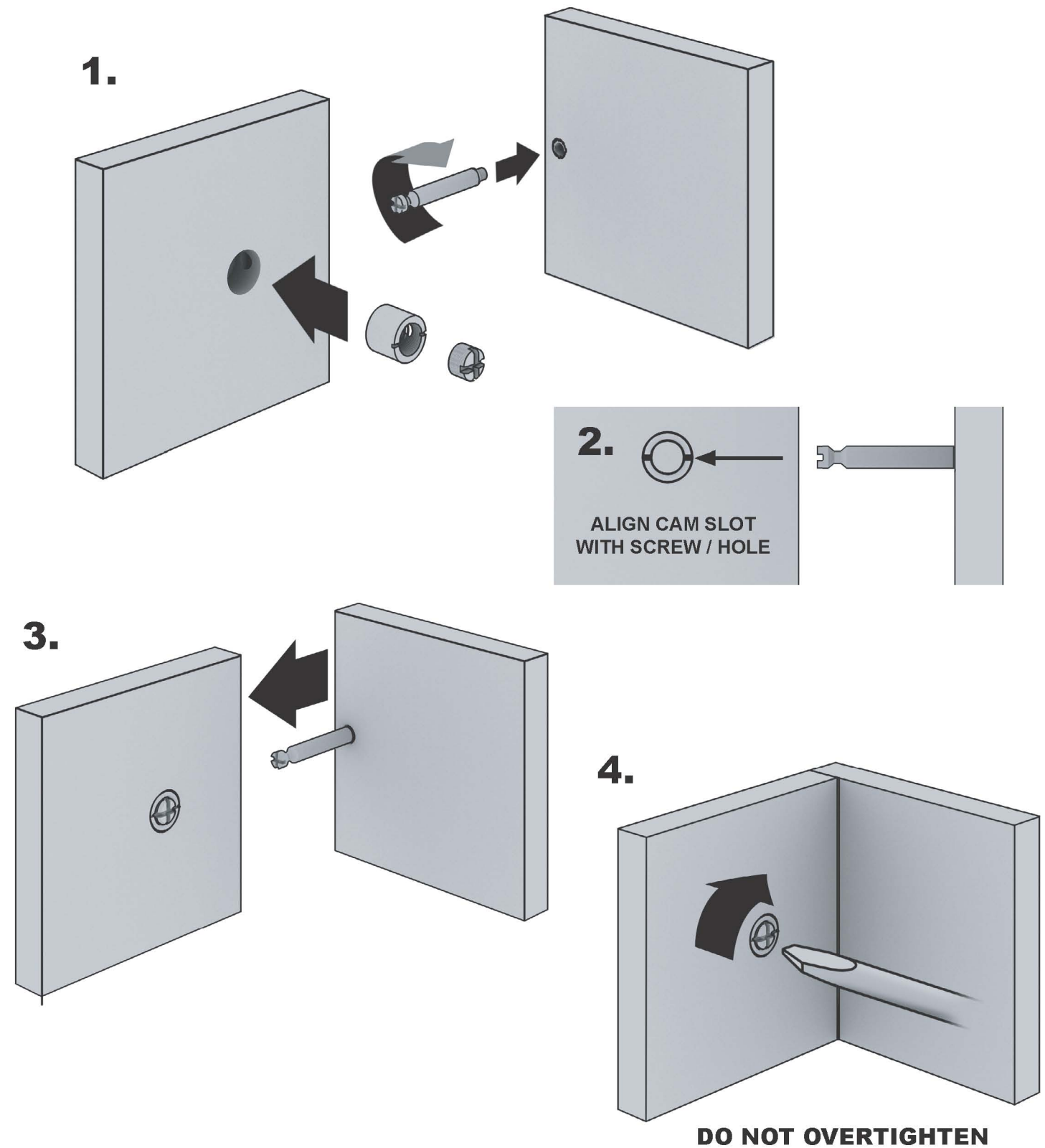


450mm L x 20mm Dia. Pull

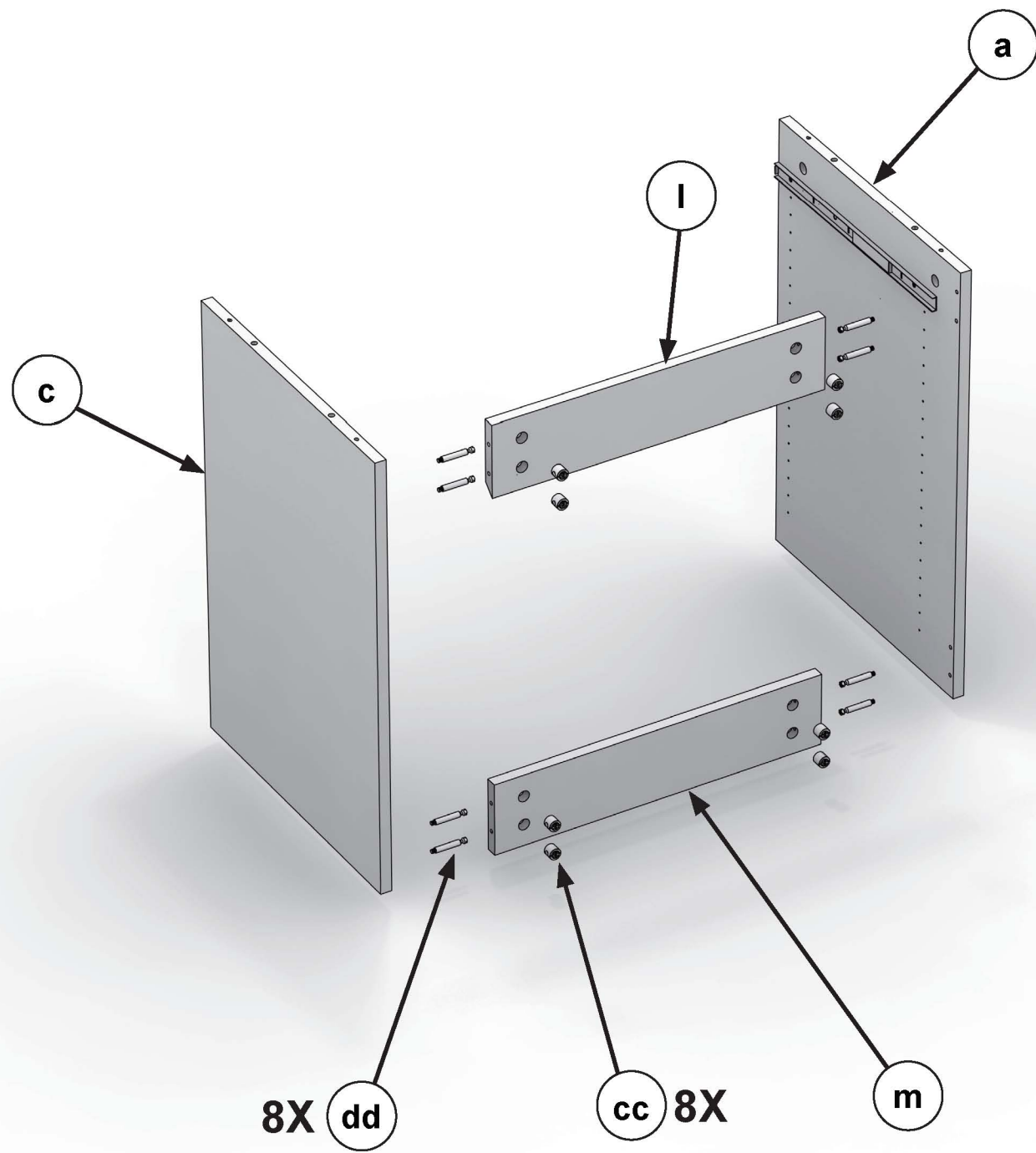
GA-HA450C - Satin Chrome 2(pc)
GA-HA450B - Black Coated 2(pc)

BEFORE YOU BEGIN

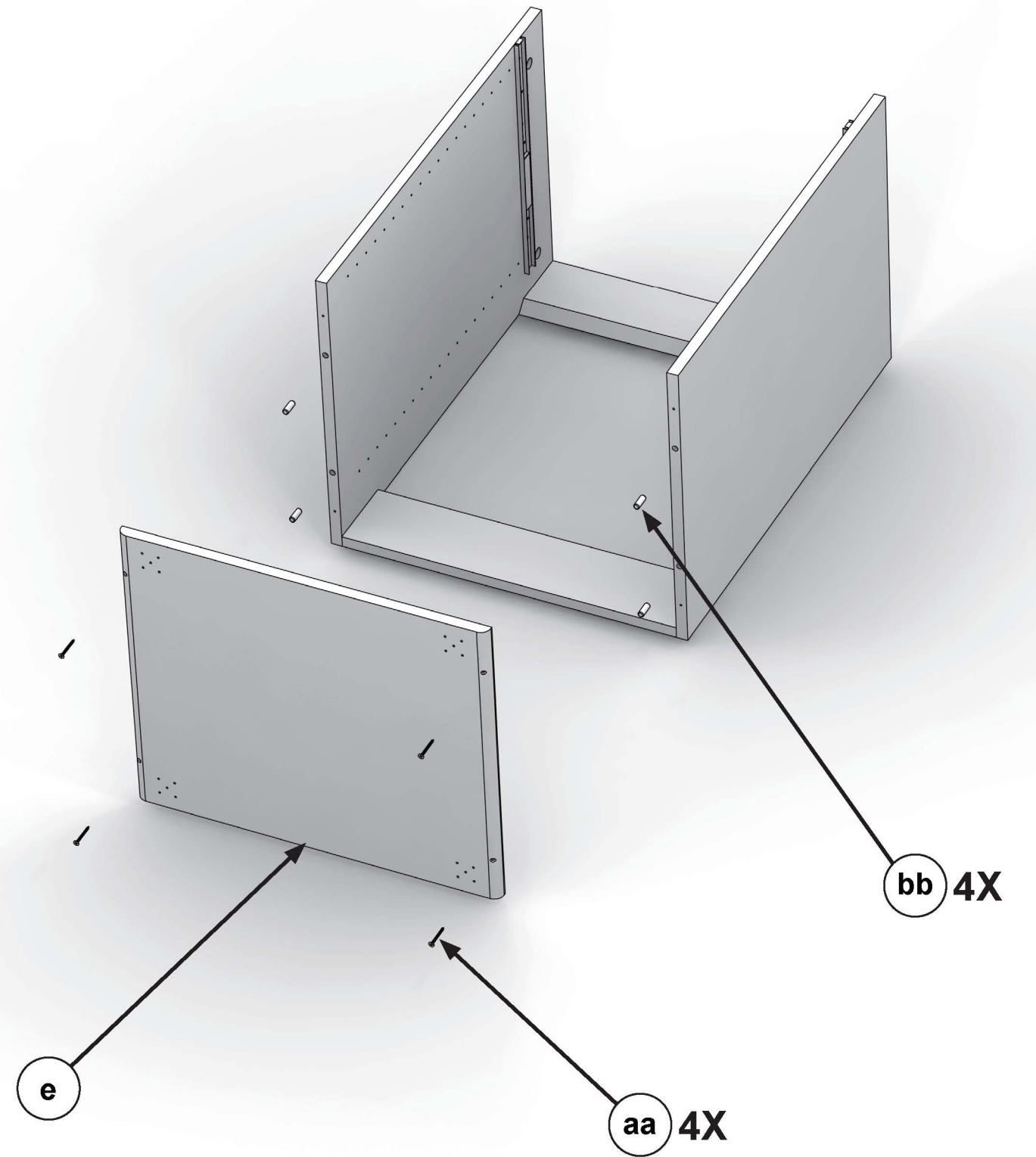
CAM STYLE FASTENERS ARE USED THROUGHOUT THE ASSEMBLY OF THIS CABINET. ASSEMBLE ALL CAMS AS SHOWN BELOW.



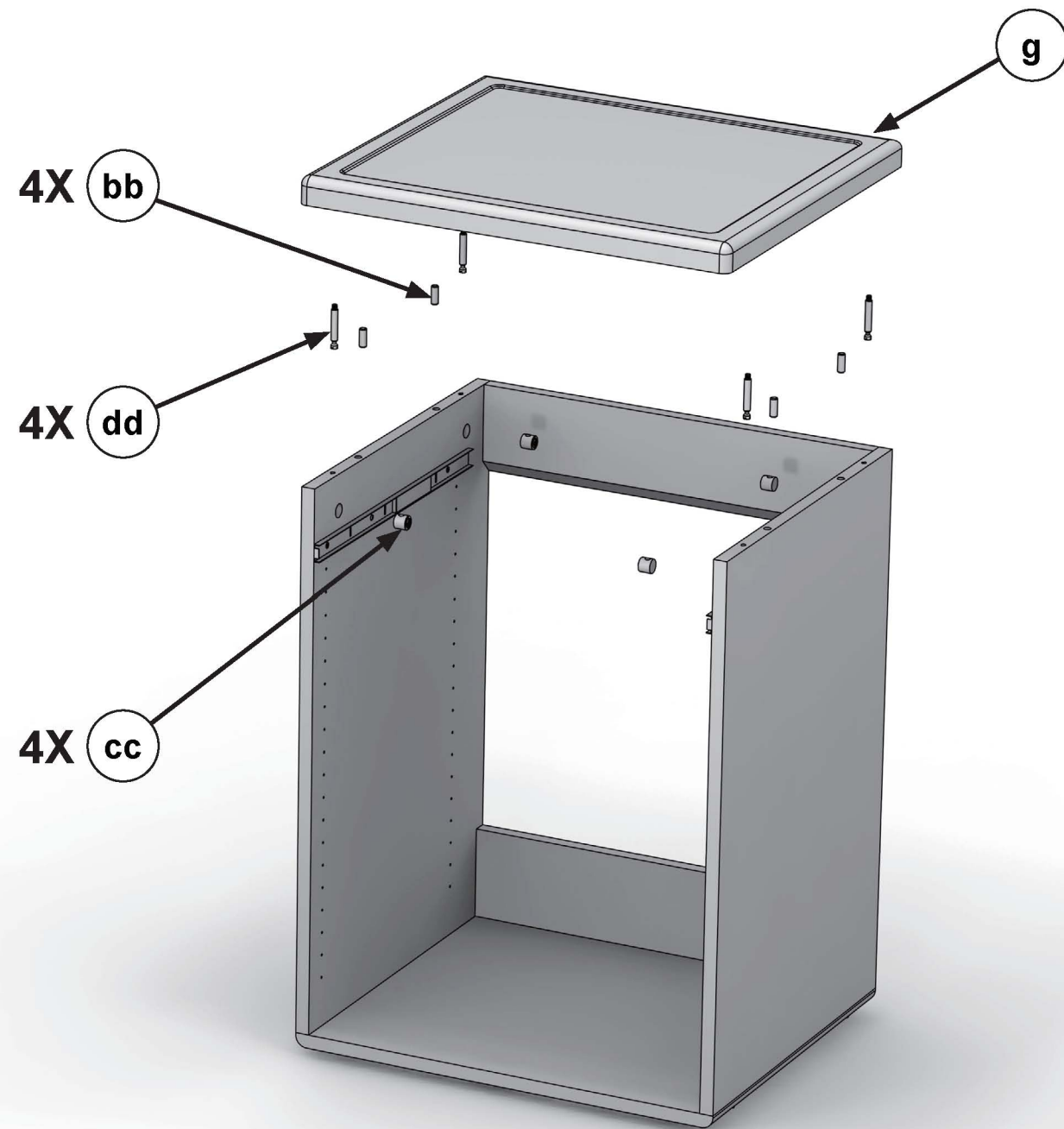
STEP 1



STEP 2



STEP 3



CHOOSE AN INSTALLATION OPTION



Option 1 - 4 Optional Feet
4 Feet are installed and the wall cleat may be used for added stability. (Feet Sold Separately)



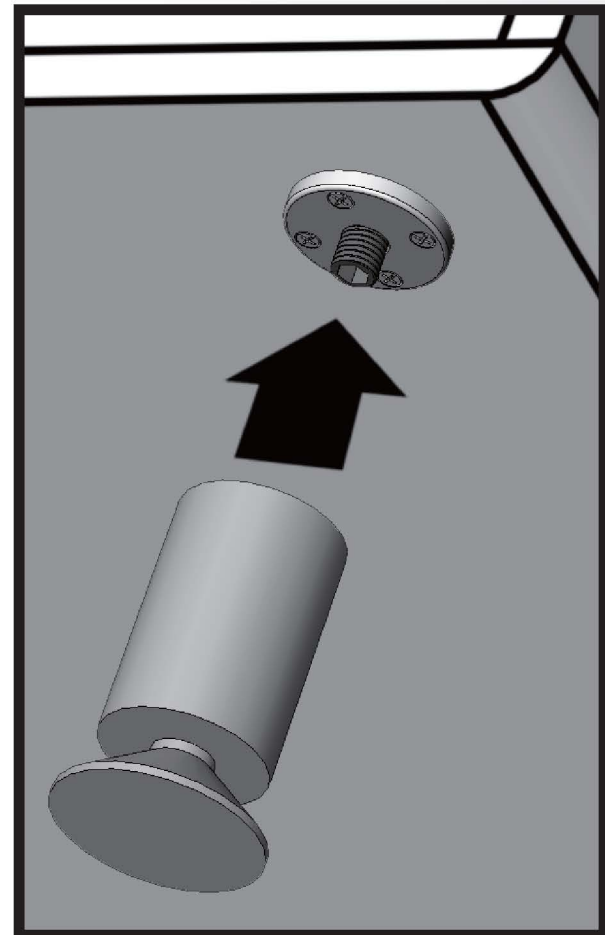
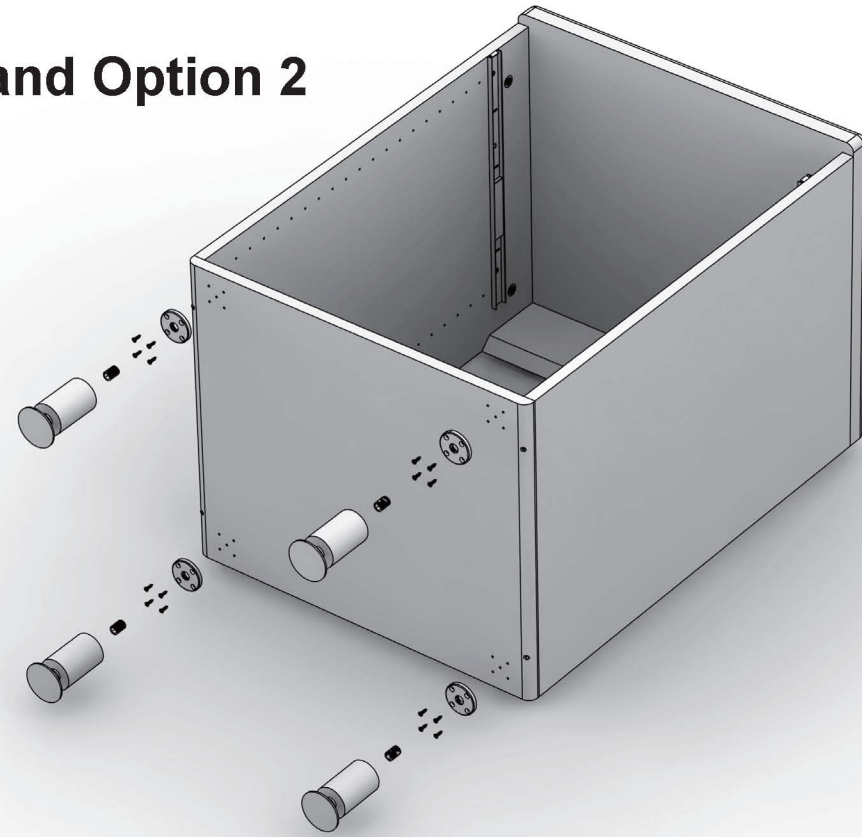
Option 2 - 2 Optional Feet
2 Feet are installed on the front of the cabinet and the wall cleat **MUST** be used. (Feet Sold Separately)



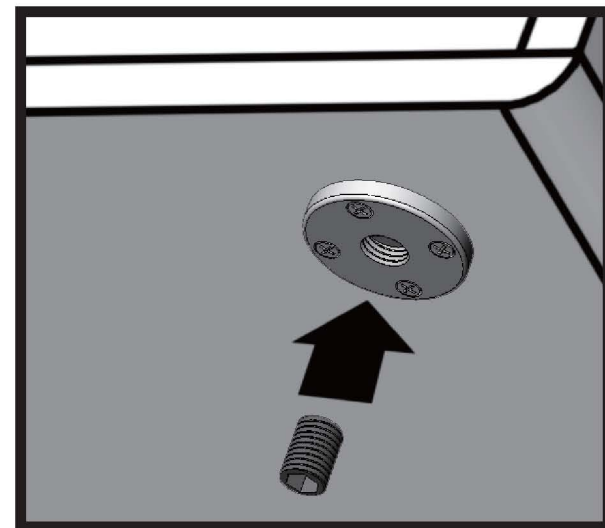
Option 3 - Wall Hanging
The Cabinet is hung on the wall using the included wall cleat.

STEP 4

Option 1 and Option 2

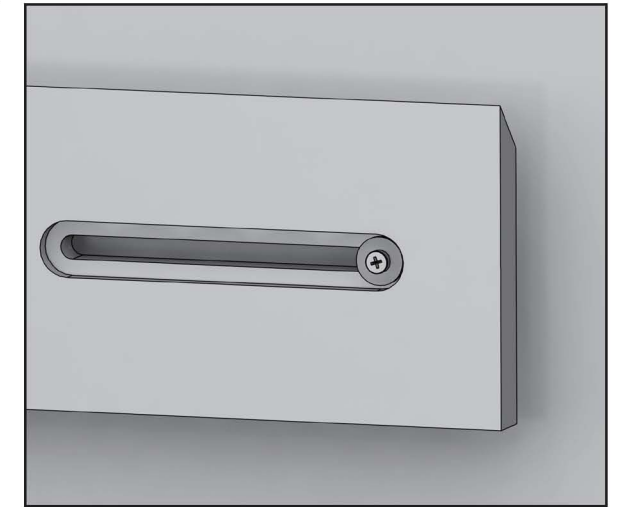
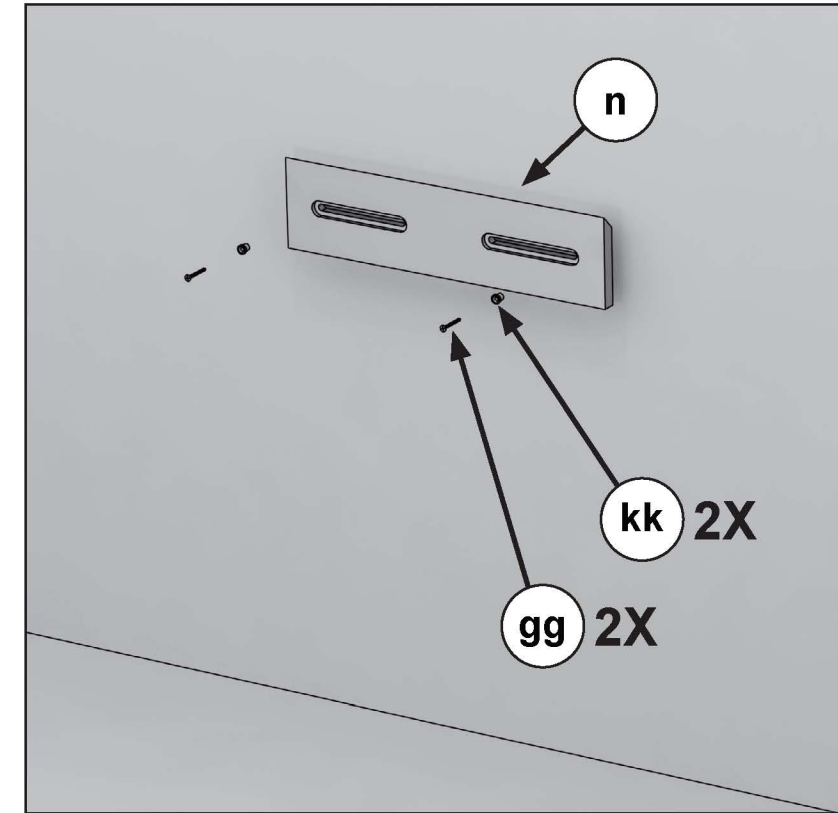


NOTE: Two Front Feet Only or Four Feet can be used with your cabinet. If installing optional feet, do so at this time.



STEP 4

Option 2 and Option 3

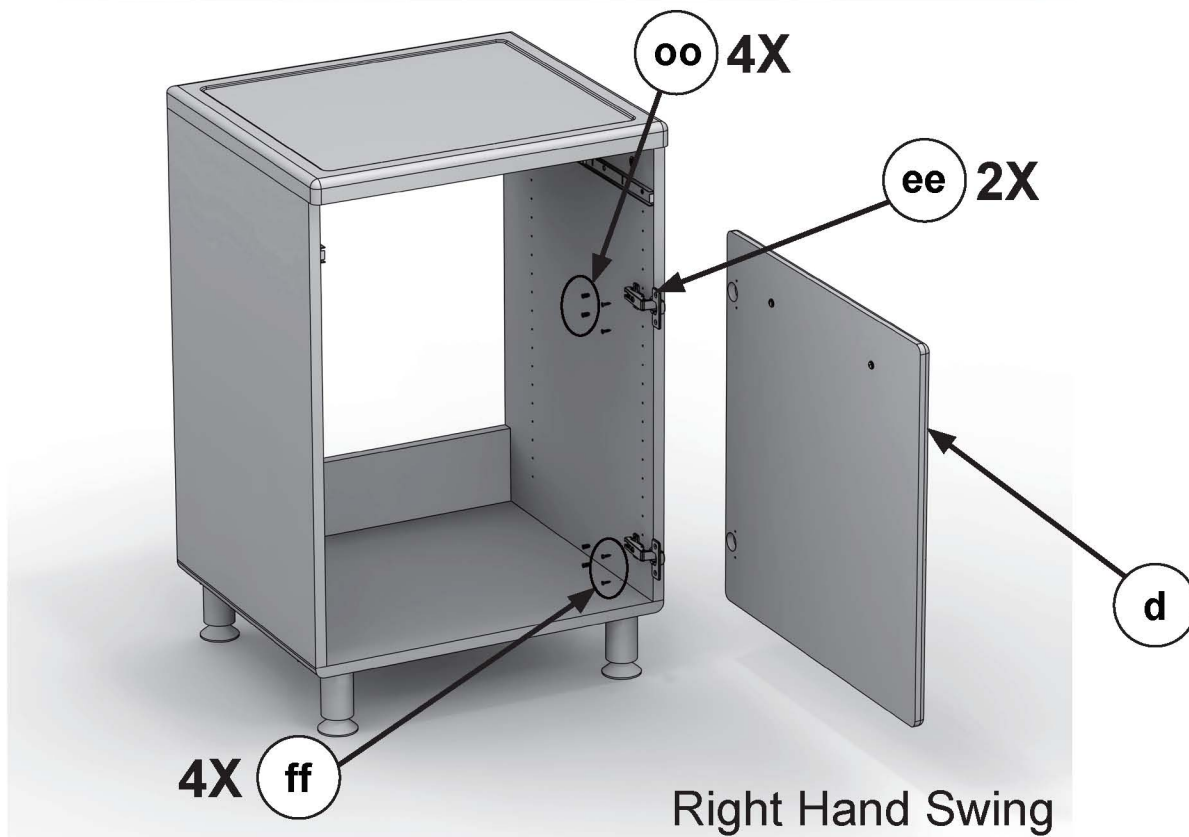
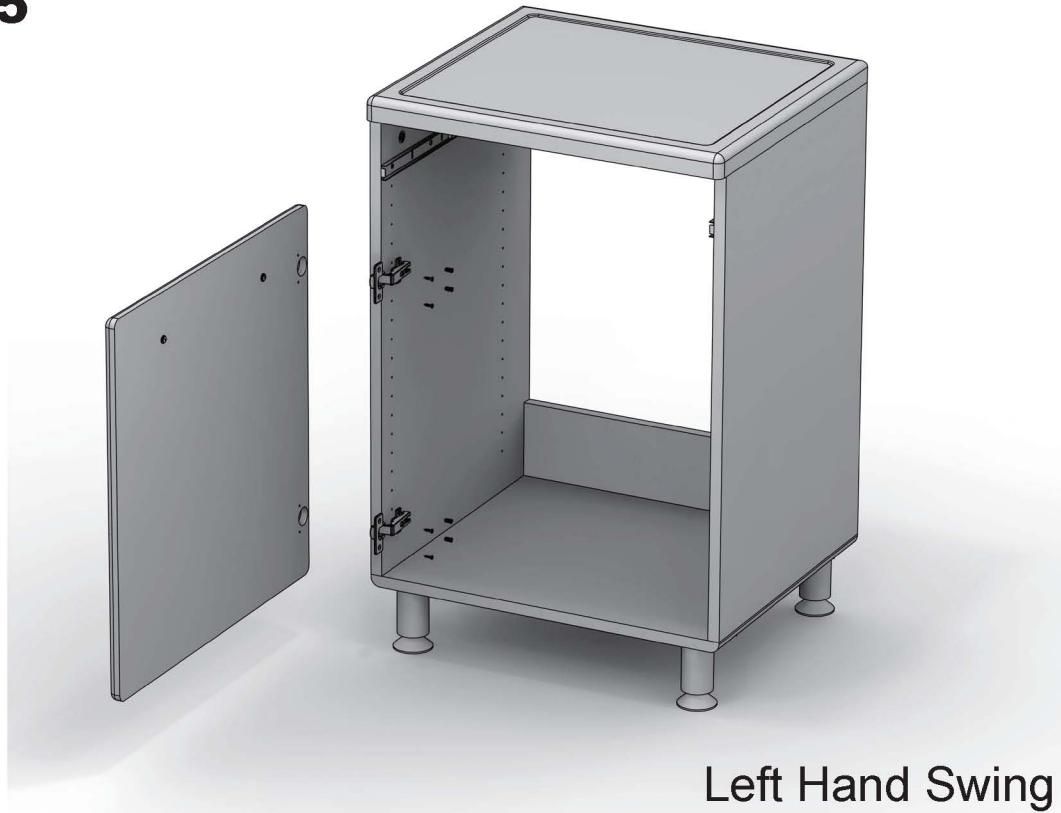


NOTE: When anchoring to dry wall, screw directly into studs or use included **WALL ANCHOR (jj)**. You may want to test the cabinet strength before loading.



NOTE: For added stability, screw two additional screws into studs through the the top spanner (l) of the cabinet.

STEP 5



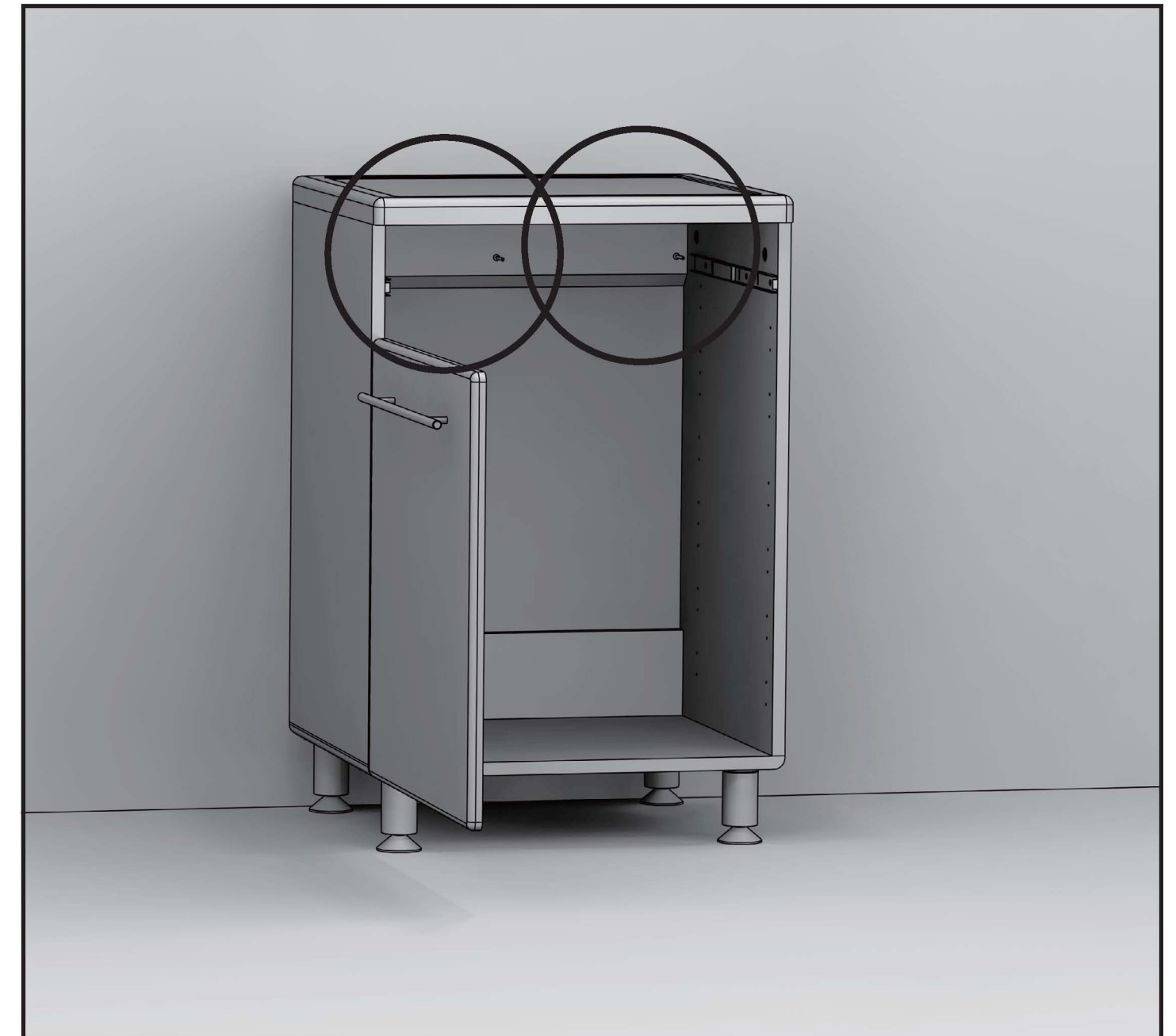
NOTE: Optional Handles should be installed in this step. UltiMATE GARAGE recommends 450mm pulls for GA-03P mounted horizontally.

GA-HA450C - Satin Chrome 2(pc) **or** GA-HA450B - Black Coated 2(pc)

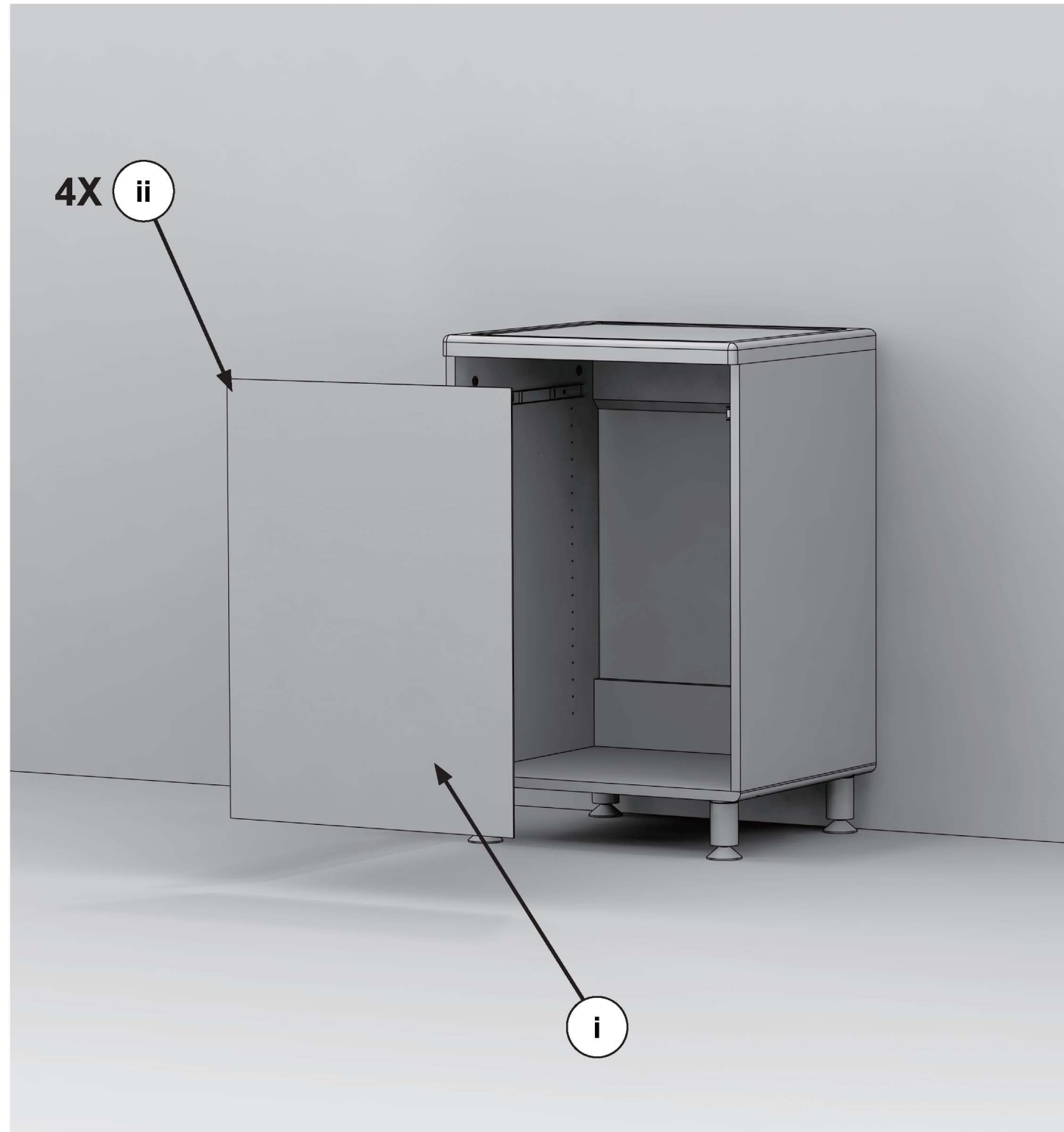
STEP 6

If Using Installation Option 1

You may want to secure the finished unit onto the wall through the spanners using wood / drywall screws for added stability. When anchoring to dry wall (with no studs), it is strongly recommended that you limit the weight in the cabinet to under 50 lbs. You may want to test the cabinet strength before loading.

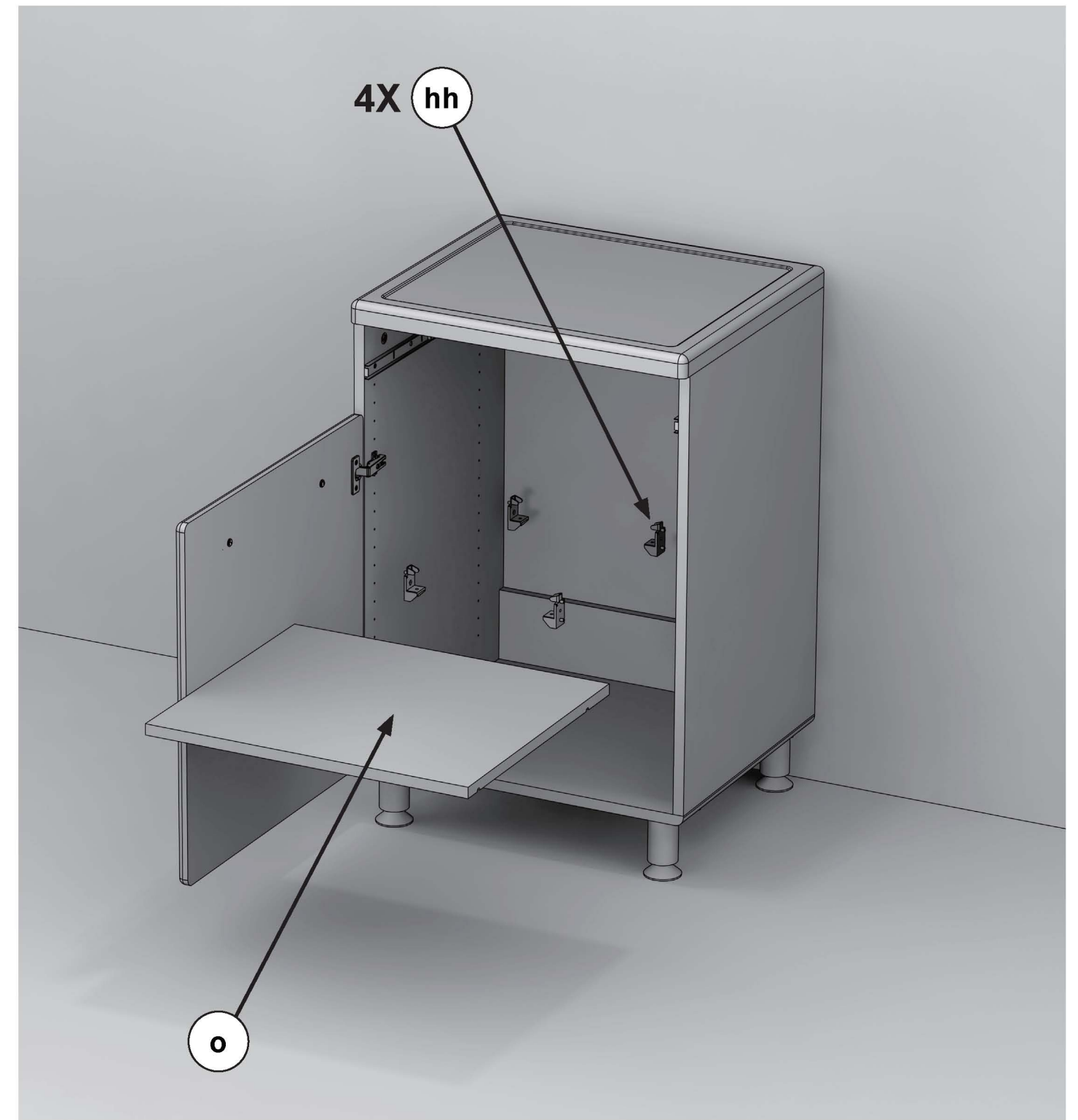


STEP 7

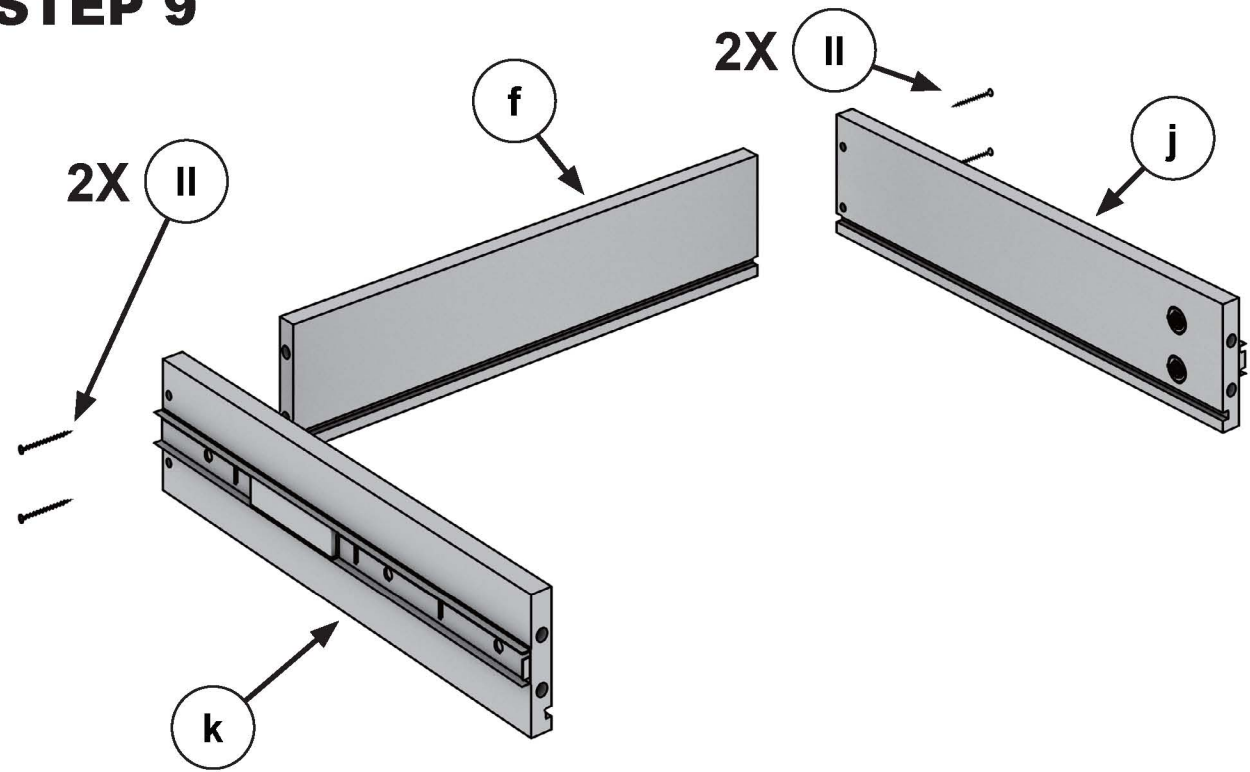


NOTE:
Use screws (ii) to fasten back panel to spanners **AFTER** the cabinet is correctly secured or hung on the wall.

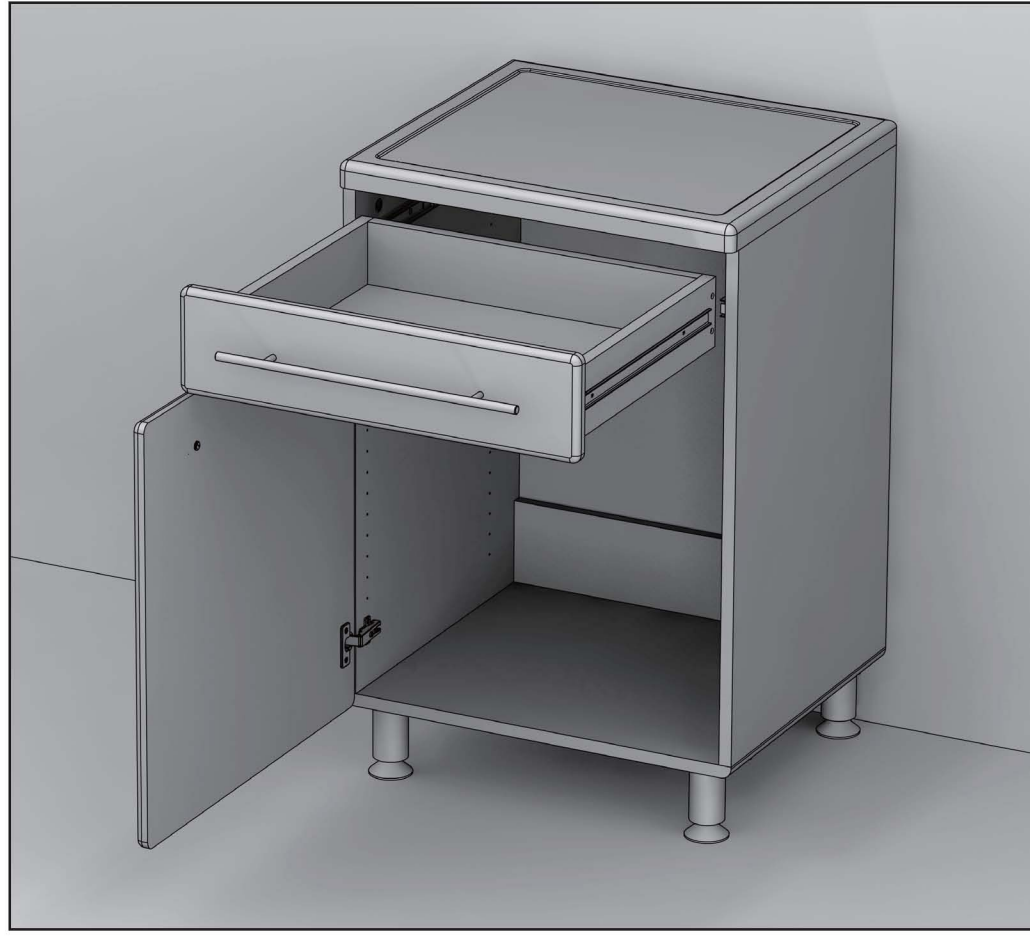
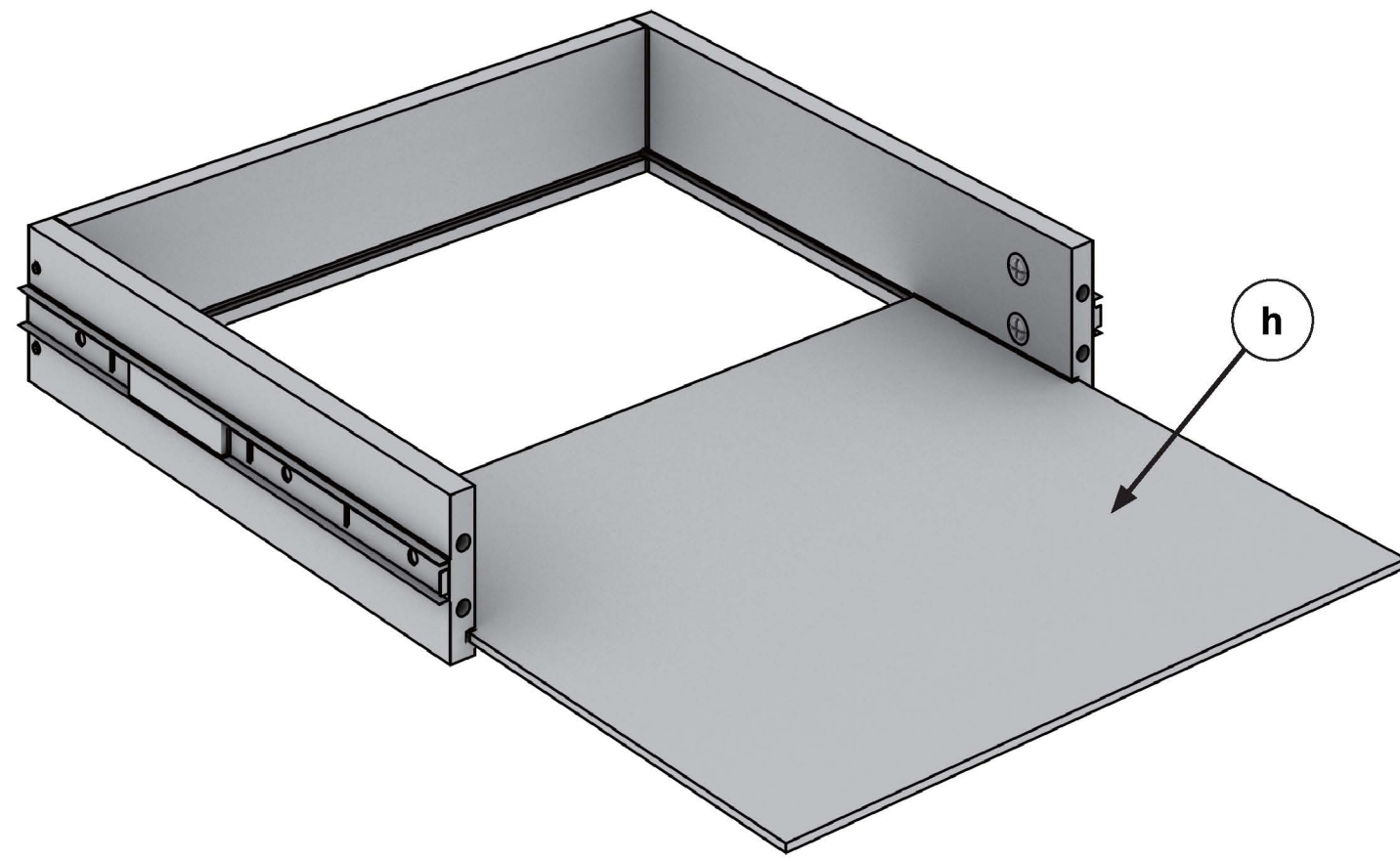
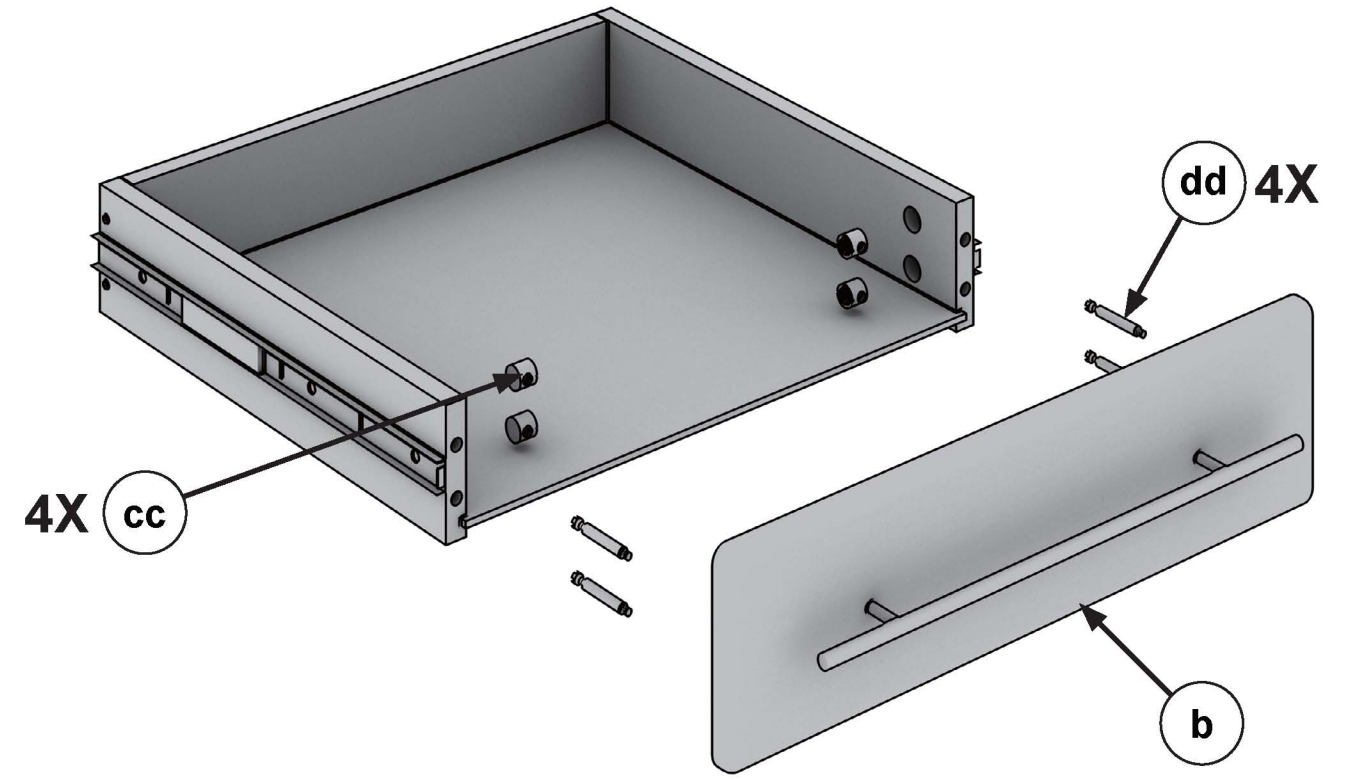
STEP 8



STEP 9



STEP 10



NOTE: Hold drawer at 45° angle and rotate gently into drawer glide.