



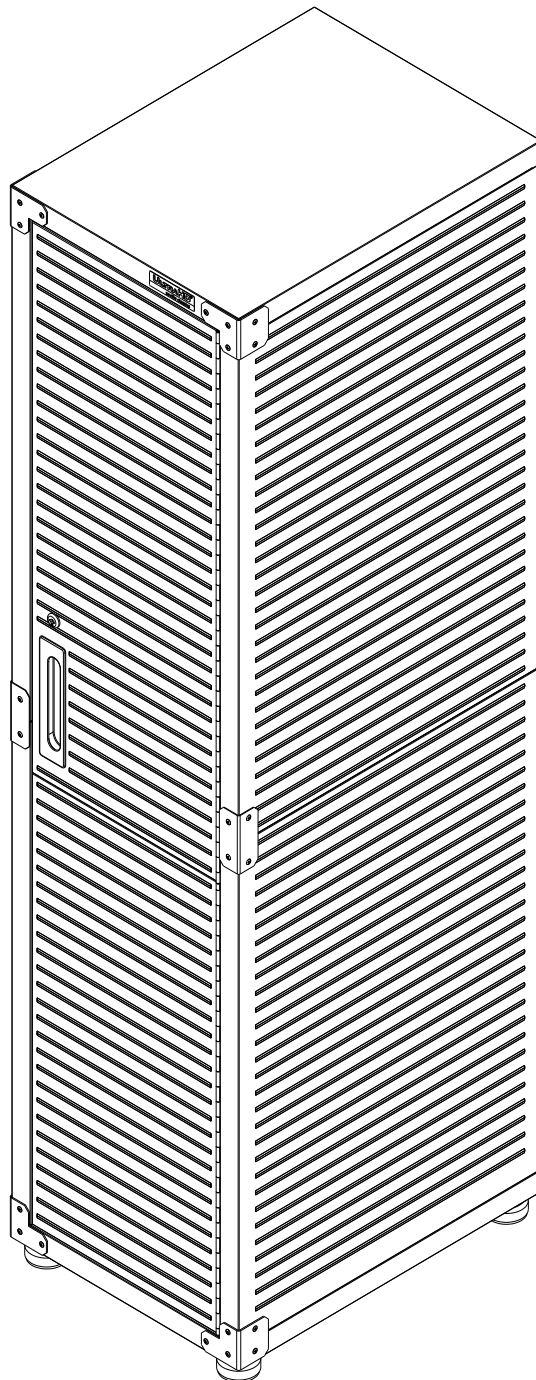
## ASSEMBLY INSTRUCTIONS

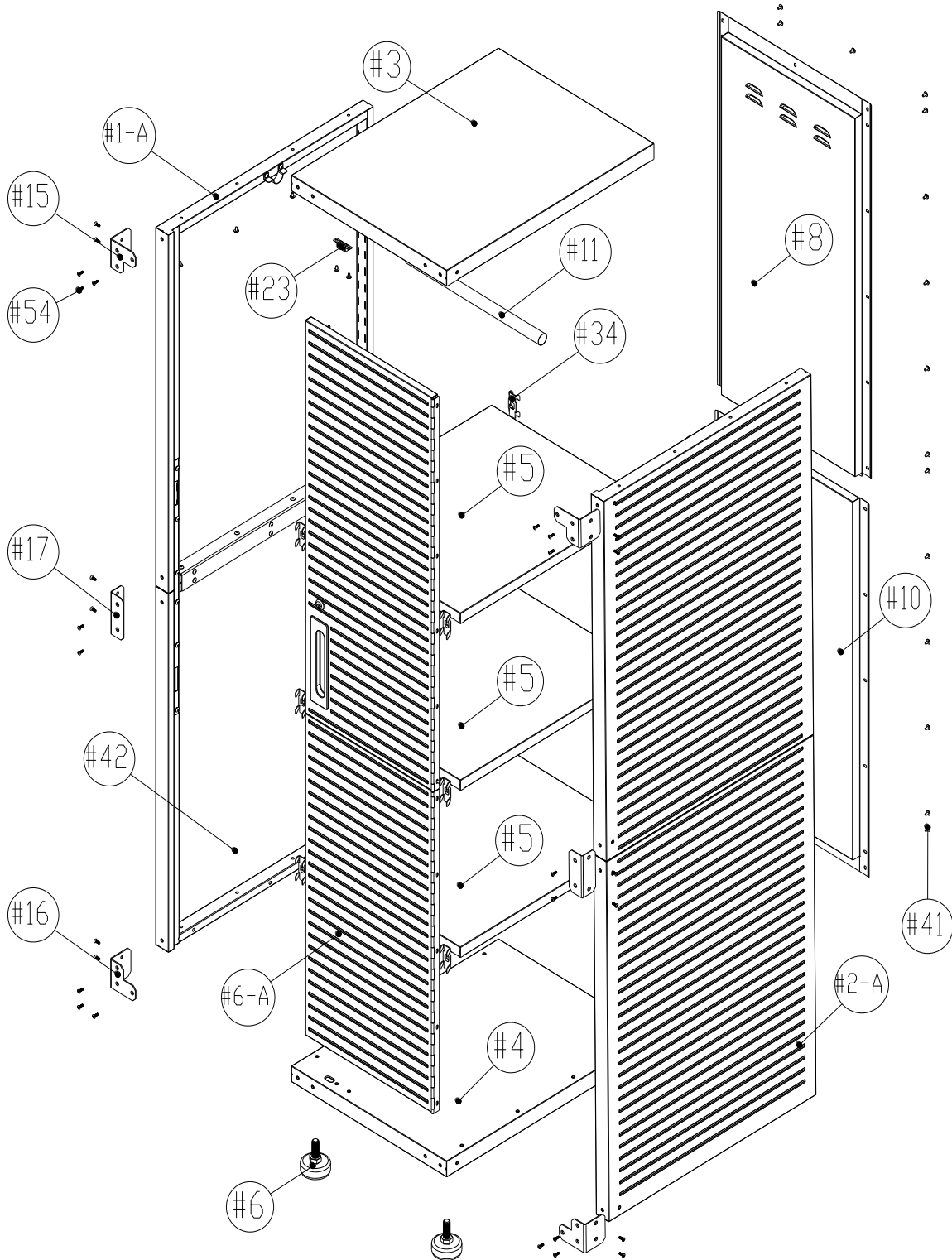
### UltraHD Locker Gear Cabinet (Model No. 16221)

18in. W X 24in. D X 72in. H  
(45.72cm x 60.9 cm x 1.83 m)

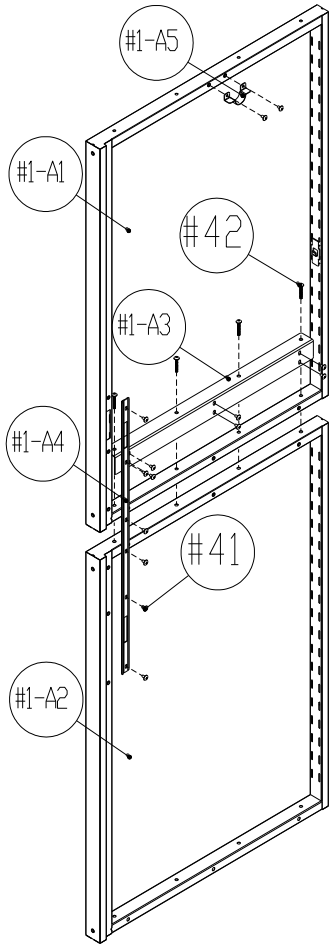
**ULTRAGUARD®**  
FINGERPRINT RESISTANT SURFACES  
AND INCREASED DURABILITY

Reference page 10 for special care  
and maintenance of stainless steel

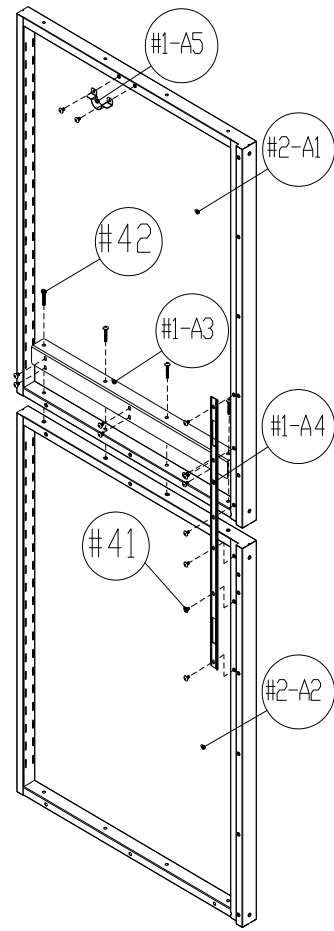




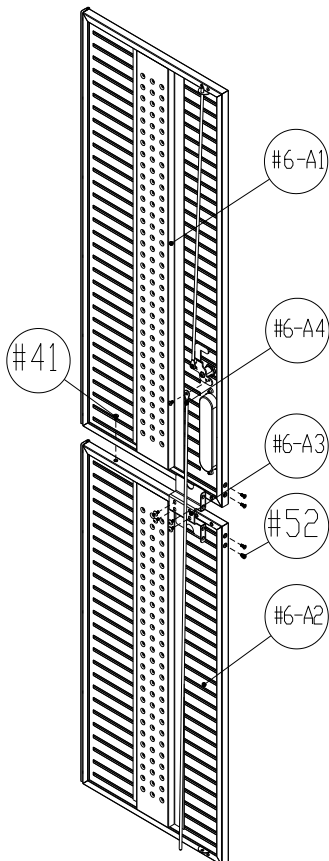
**(#1-A) Left Panel**



**(#2-A) Right Panel**

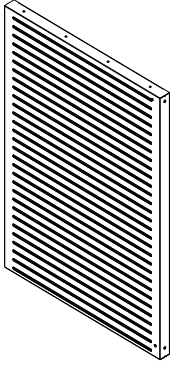


**(#6-A) Door**

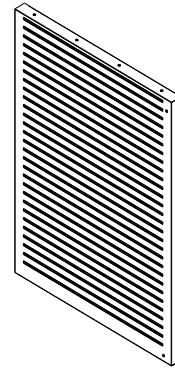


# PARTS LIST (pg 3 of 11)

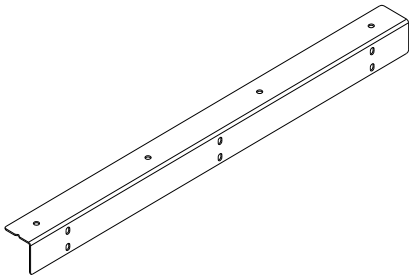
Please check the parts carefully according to the parts list. If you are missing any parts, please contact our customer service department. (please refer to page 11 of 11) .



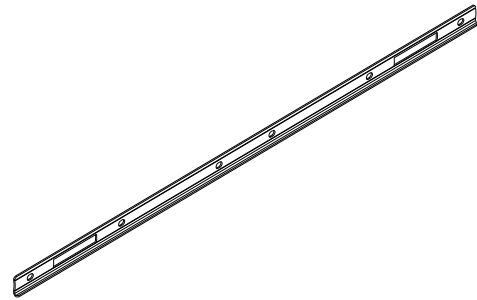
(#1-A1) Left Side - Upper Panel x 1 PC



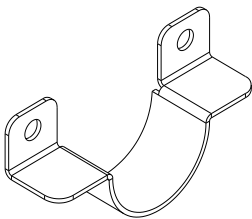
(#1-A2) Left Side - Bottom Panel x 1 PC



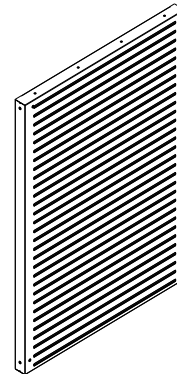
(#1-A3) Side Panel Reinforcement Connection Part x 2 PCS



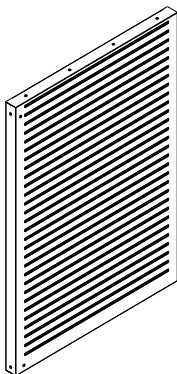
(#1-A4) Side Panel Reinforcement Part x 2 PCS



(#1-A5) Hanging Rod Hook x 2 PCS



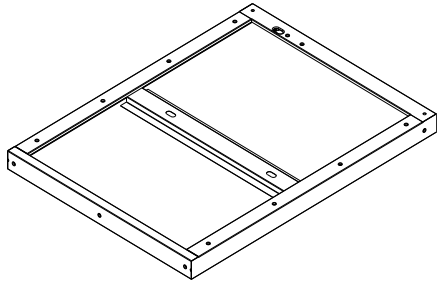
(#2-A1) Right Side - Upper Panel x 1 PC



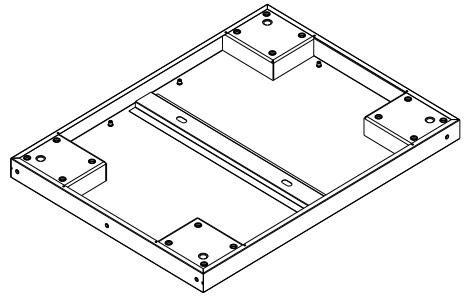
(#2-A2) Right Side - Bottom Panel X 1 PC

# PARTS LIST (pg 4 of 11)

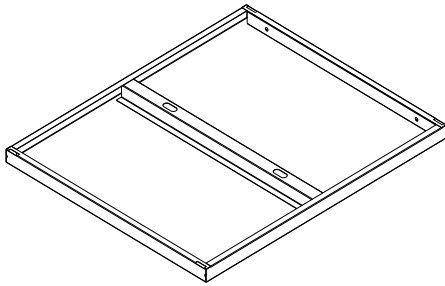
Please check the parts carefully according to the parts list. If you are missing any parts, please contact our customer service department. (please refer to page 11 of 11) .



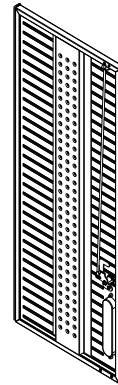
(#3) Top Panel x 1 PC



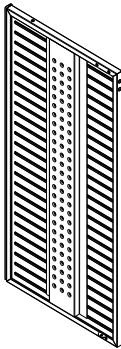
(#4) Bottom Panel x 1 PC



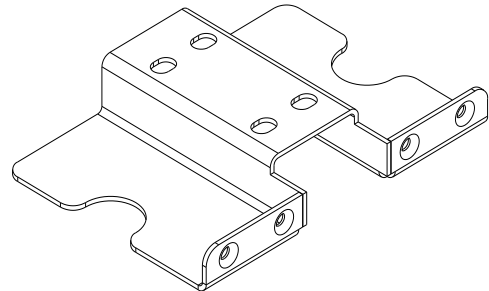
(#5) Middle Shelf x 3 PCS



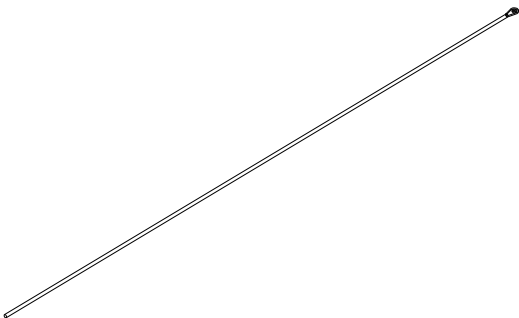
(#6-A1) Door - Upper Panel x 1 PC



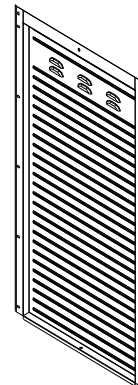
(#6-A2) Door - Bottom Panel x 1 PC



(#6-A3) Door Panel Connection Part x 1 PC



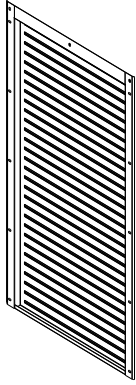
(#6-A4) Key Rod x 1 PC



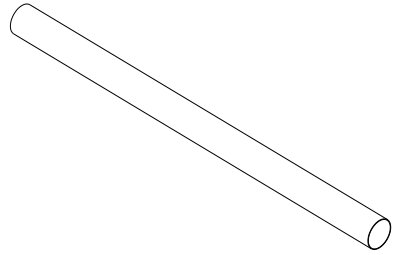
(#8) Upper Back Panel x 1 PC

# PARTS LIST (pg 5 of 11)

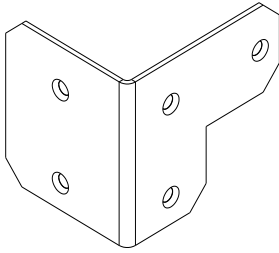
Please check the parts carefully according to the parts list. If you are missing any parts, please contact our customer service department. (please refer to page 11 of 11) .



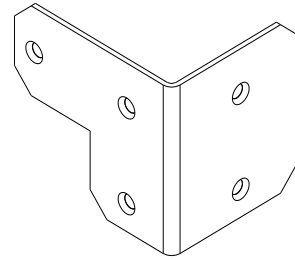
(#10) Bottom Back Panel x 1 PC



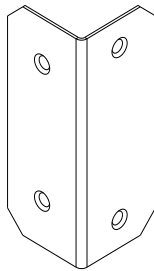
(#11) Hanging Rod x 1 PC



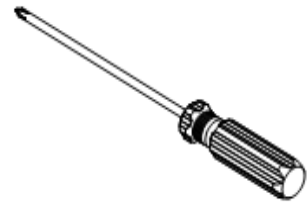
(#15) Corner Protection - A x 2 PCS



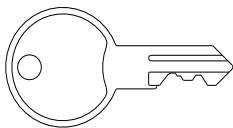
(#16) Corner Protection - B x 2 PCS



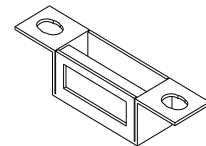
(#17) Middle Corner Protection x 2 PCS



(#21) Screw Driver x 1 PC



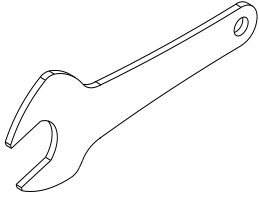
(#22) Key x 2 PCS



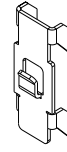
(#23) Magnet x 2 PCS

# PARTS LIST (pg 6 of 11)

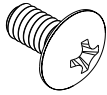
Please check the parts carefully according to the parts list. If you are missing any parts, please contact our customer service department. (please refer to page 11 of 11) .



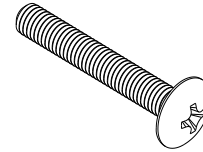
(#25) Wrench x 1 PC



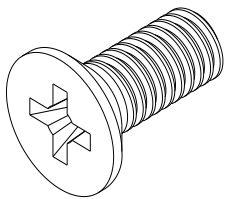
(#34) Hook x 12 PCS



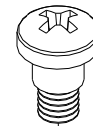
(#41) Screw F (M4 x 8L) x 83 PCS



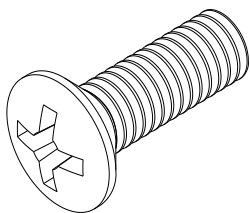
(#42) Screw G (M4 x 30L) x 16 PCS



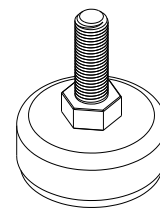
(#52) Screw K (M4 x 10L) x 4 PCS



(#53) Screw L (M4 x 6L) x 1 PC



(#54) Screw N (M4 x 10L) x 28 PCS



(#6) Leveling Feet x 4 PCS

# ASSEMBLY INSTRUCTIONS (pg 7 of 11)

## UltraHD Locker Gear Cabinet (Model No. 16221)

**TIP:** A magnetic screwdriver is included for your convenience. If a power screwdriver is used, keep on a low torque setting.

**WARNING:** Some parts may have sharp edges. To avoid injury, wearing gloves is recommended during assembly.

### Step 1: Install Left Side Panel (#1-A)

Place the Left Side - Upper Panel (#1-A1) and Left Side - Bottom Panel (#1-A2) together, place the Side Panel Reinforcement Connection Part (#1-A3) over the touching edges, line up screw holes, use 4pcs of Screw G (#42) to tighten from the side, then use 6pcs of Screw F (#41) to tighten from the top.

Attach the Side Panel Reinforcement Part (#1-A4) to the Left Side Panel (#1-A) as the left photo shows, use 6pcs of Screw F (#41) to tighten.

Attach Hanging Rod Hook (#1-A5) to the upper edge of the Left Side Panel (#1-A), line up screw holes, use 2 pcs of Screw F (#41) to tighten.

### Step 2: Install Right Side Panel (#2-A)

Repeat Step 1, use Right Side Upper Panel (#2-A1), Right Side Bottom Panel (#2-A2), Side Panel Reinforcement Connection Part (#1-A3), 4pcs Screw G (#42) and 6pcs Screw F (#41) to install Right Side Panel (#2-A).

Attach the Side Panel Reinforcement Part (#1-A4) to the the Right Side Panel (#2-A), use 6pcs of Screw F (#41) to tighten.

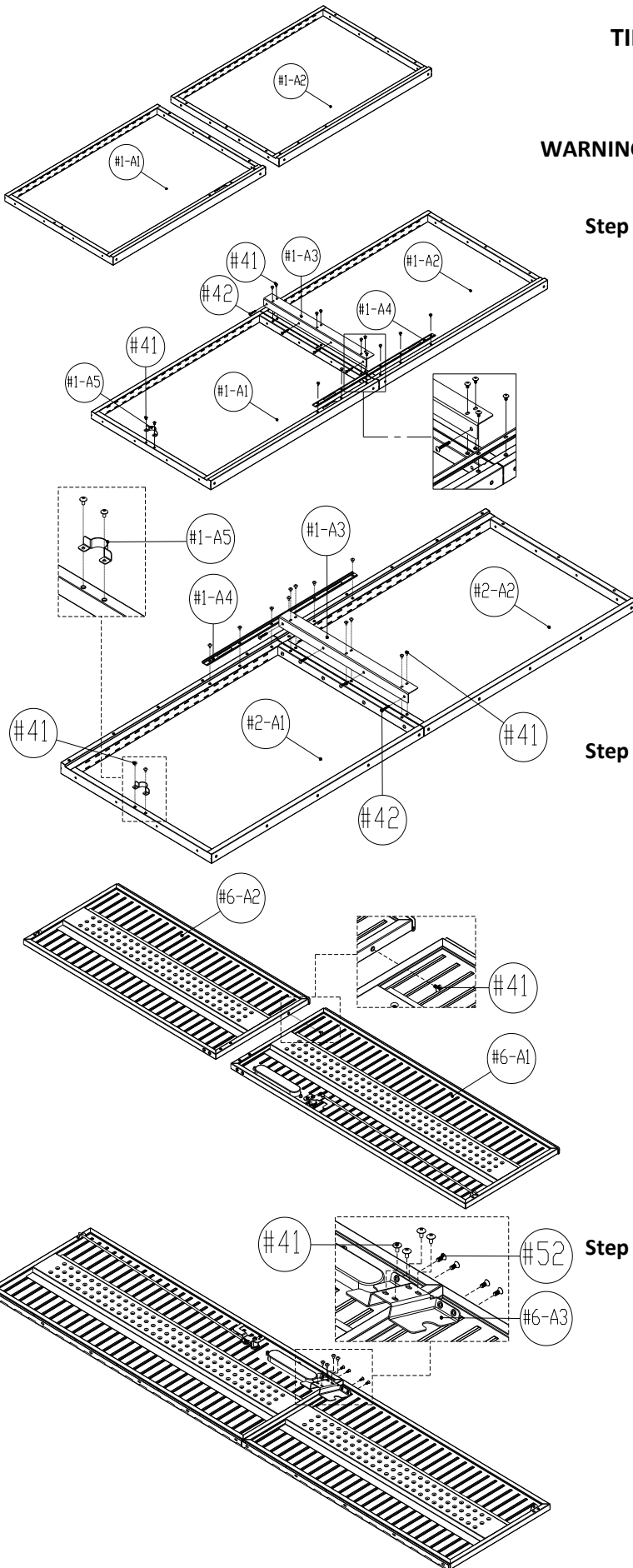
Attach Hanging Rod Hook (#1-A5) to the upper edge of the Right Side Panel (#2-A), line up screw holes, use 2 pcs of Screw F (#41) to tighten.

### Step 3: Install Door Panel (#6-A)

1). Place Door - Upper Panel (#6-A1) and Door - Bottom Panel (#6-A2) together, line up screw holes, use 1pc Screw F (#41) to tighten from the side.

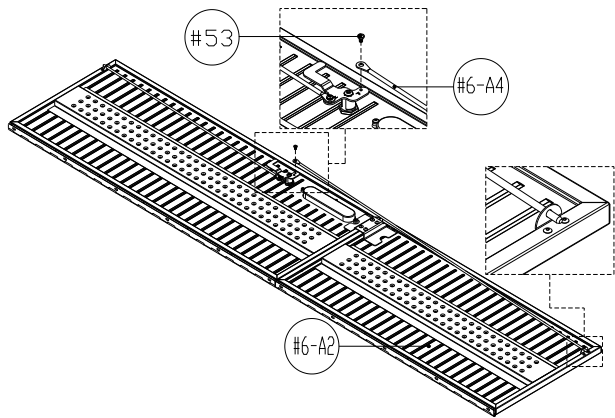
2). Place the Door Panel Connection Part (#6-A3) over the touching sides, line up the screw holes, use 4pcs Screw F (#41) to tighten from the top, and use 4pcs Screw K (#52) to tighten from outside edge.

**Note:** Make sure all the panels assembled up to this point are flush.



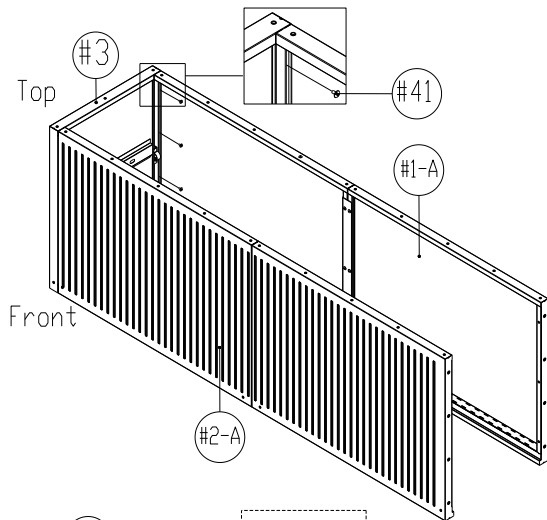
# ASSEMBLY INSTRUCTIONS (pg 8 of 11)

## UltraHD Locker Gear Cabinet (Model No. 16221)



### Step 4: Install Key Rod (#6-A4)

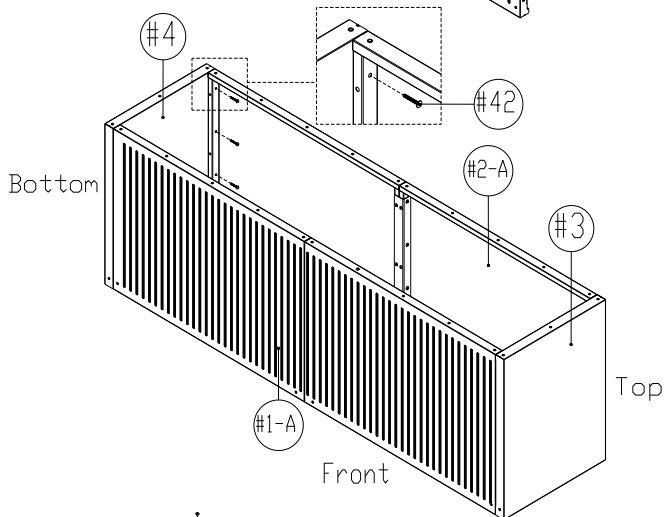
Insert Key Rod (#6-A4) into the bottom tab hole of the Door - Bottom Panel (#6-A2), twist out the Pre-assembled Screw L (#53) on the key rod linkage plate, attach Key Rod (#6-A4) by lining up the screw hole and tightening back in the Screw L (#53)



### Step 5: Install Top Panel (#3) to Left Side Panel (#1-A) and Right Side Panel (#2-A)

Attach Top Panel (#3) to Left Side Panel (#1-A) and Right Side Panel (#2-A). Make sure the front of the unit faces downward. Line up screw holes, use 8pcs Screw F (#41) to tighten.

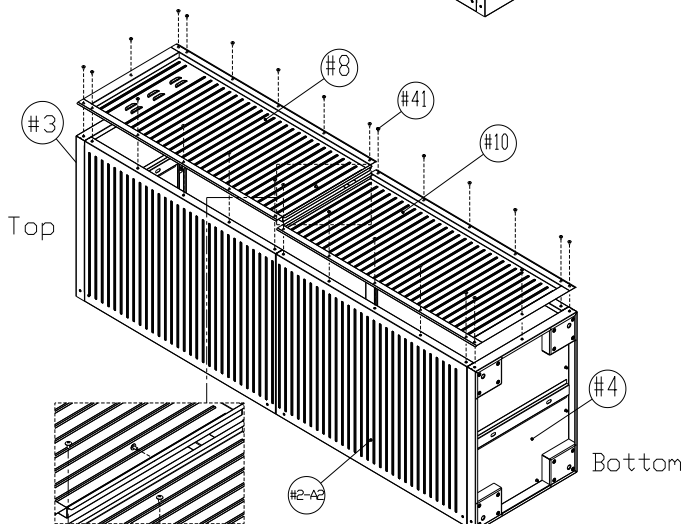
**Note:** Before tightening screws, make sure the corners of the Top Panel (#3) are completely flush.



### Step 6: Install Bottom Panel (#4) to Left Side Panel (#1-A) and Right Side Panel (#2-A)

Attach Bottom Panel (#4) to Left Side Panel (#1-A) and Right Side Panel (#2-A). Make sure the front of the unit faces downward. Line up screw holes, use 8pcs Screw G (#42) to tighten.

**Note:** Before tightening screws, make sure the corners of the Bottom Panel (#4) are completely flush.

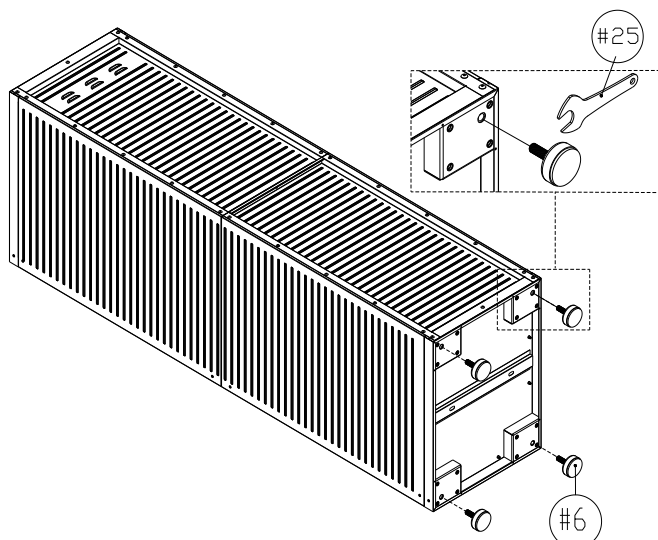


### Step 7: Install (#8 and #10) Back Panels

1). Attach Bottom Back Panel (#10) onto Left and Right Side Panels (#1-A and #2-A) and Bottom Panel (#4), attach Upper Back Panel (#8) onto Left and Right Side Panels (#1-A and #2-A) and Top Panel (#3), line up all the screw holes, use 27 pcs Screw F (#41) to tighten.

# ASSEMBLY INSTRUCTIONS (pg 9 of 11)

## UltraHD Locker Gear Cabinet (Model No. 16221)

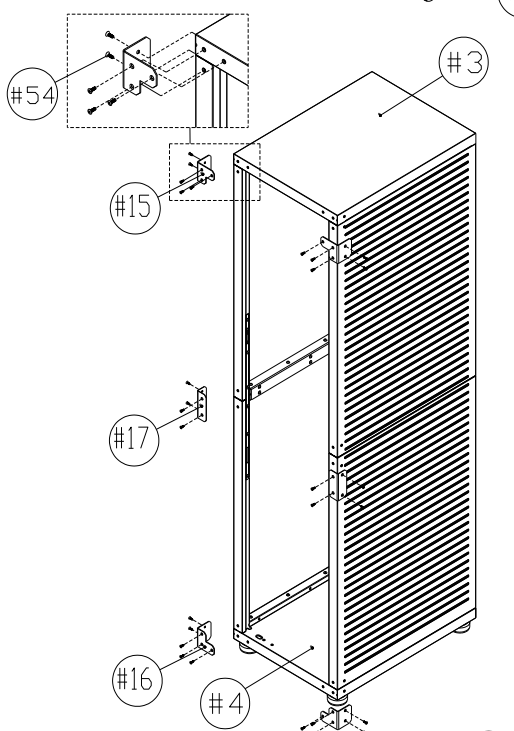


### Step 8: Install Leveling Feet (#6).

Install Leveling Feet (#6) into the largest corner holes of the Bottom Panel (#4), use Wrench (#25) to tighten.

Lift the Locker Gear Cabinet upright after this step.

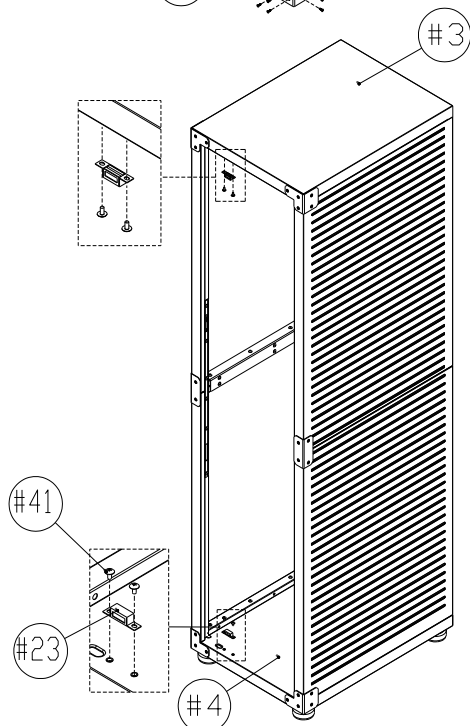
**Note:** Optional caster kit sold separately (WEB128)  
[www.sevilleclassics.com](http://www.sevilleclassics.com)



### Step 9: Install Corner Protection (#15, #16 and #17)

1). Attach Corner Protection A, B (#15, #16) onto Top and Bottom corners of the cabinet, use 20pcs Screw N (#54) to tighten.

2). Attach Middle Corner Protection (#17) to the middle of Left Side Panel (#1-A) and Right Side Panel (#2-A), use 8pcs Screw N (#54) to tighten.

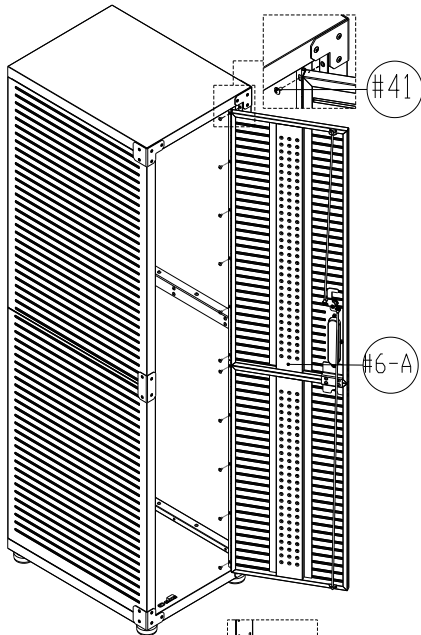


### Step 10: Install Magnet (#23).

Place Magnet (#23) onto Top Panel (#3) and Bottom Panel (#4) facing the front, use 4pcs Screw F (#41) to tighten.

# ASSEMBLY INSTRUCTIONS (pg 10 of 11)

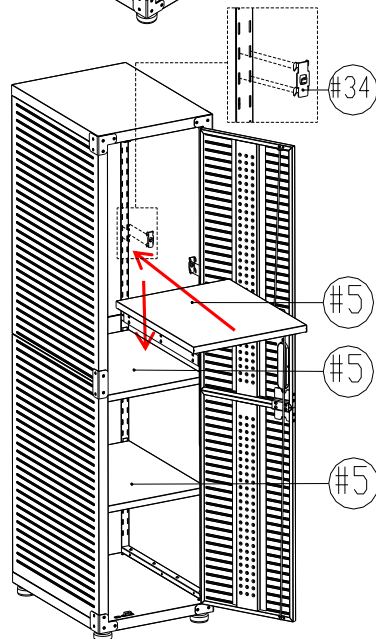
## UltraHD Locker Gear Cabinet (Model No. 16221)



### Step 11: Install Door (#6-A)

- 1). Attach Door (#6-A) to Right Side Panel (#2-A), use 11pcs Screw F (#41) to tighten.

**NOTE:** The screw holes on the door hinge have tolerance, enabling the door to be adjusted and centered in the door frame. Place top, middle and bottom screws first. Don't tighten screws completely - this may save time by avoiding having to make slight adjustments for leveling door panels later.

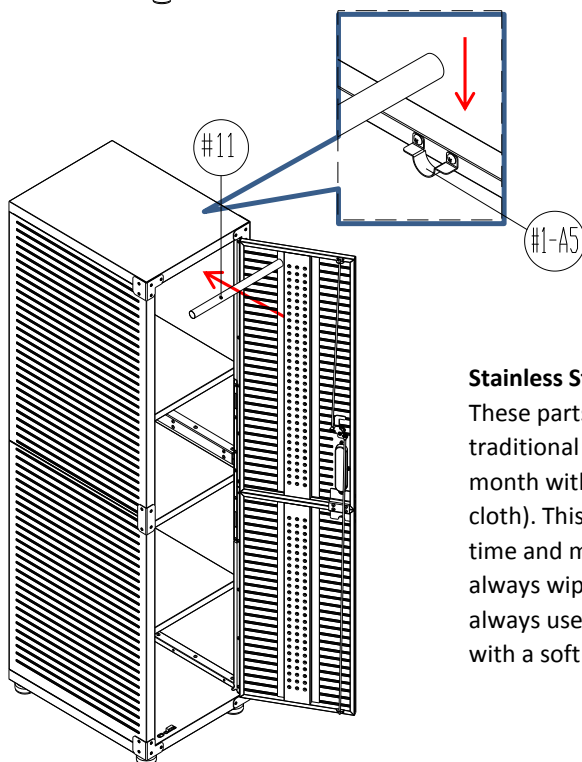


### Step 12: Install Middle Shelves (#5)

- 1). Decide the height for the each Middle Shelf (#5). Place 1pc of Hook (#34) into the hook slot where each corner of shelf should be placed. Make sure the hooks supporting each shelf are at same height.

**Note:** All Middle Shelves (#5) need a hook at each corner to support it.

- 2). Place each Middle Shelf (#5) into cabinet and push down onto Hooks (#34).



### Step 13: Install Hanging Rod (#11)

- Place the Hanging Rod (#11) onto the Hanging Rod Hook (#1-A5).

### Stainless Steel Maintenance:

These parts have an UltraGuard™ fingerprint resistant finish. Do not use traditional stainless steel cleaners on this unit. Lightly wipe off once a month with clean warm water and a soft cloth (preferably a micro fiber cloth). This is the safest formula to prevent new stains from appearing over time and manage unwanted fingerprints or grease marks. Remember to always wipe in the direction of the surface grain (NEVER ACROSS) and always use a lint-free cloth. Once the surface is clean, thoroughly wipe dry with a soft absorbent cloth.

## CONTACT INFORMATION (pg 11 of 11)

\*If you are missing any parts, have any questions, or need additional assistance in assembly, please contact our bilingual (English and Spanish) customer service department at:



**Seville Classics, Inc.**  
19401 South Harborage Way  
Torrance, CA 90501  
USA

Telephone: (800) 323-5565 within USA

Hours: 9:00am - 4:30pm (Pacific Standard Time)

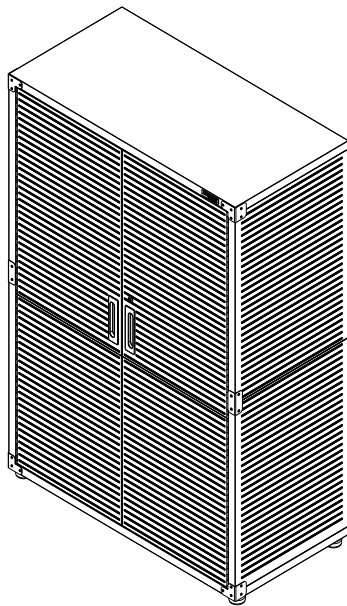
Fax: (310) 533-3899

E-mail: [support@sevilleclassics.com](mailto:support@sevilleclassics.com)

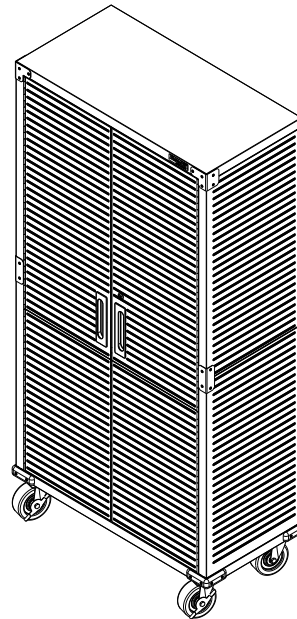
Website & Online Store: [www.sevilleclassics.com](http://www.sevilleclassics.com)

**\*\*\*Please visit our website or call and inquire about our additional UltraHD Line\*\*\***

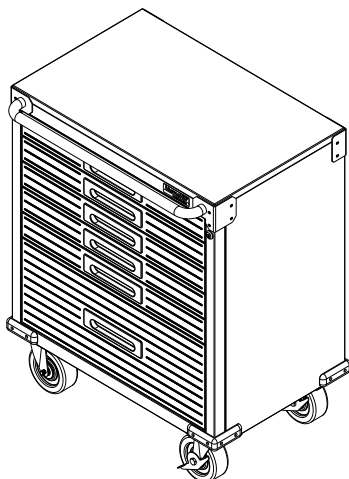
## UltraHD Line



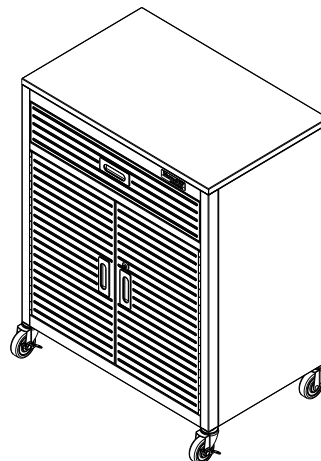
**Model No. 16238**  
**UltraHD Storage Cabinet**



**Model No. 16236**  
**UltraHD Storage Cabinet**

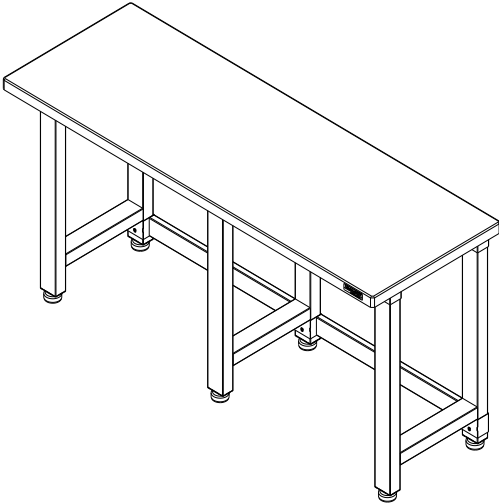


**Model No. 20204**  
**UltraHD 6-Drawer Rolling Cabinet**

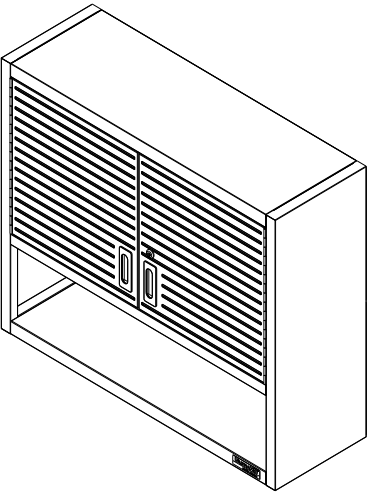


**Model No. 20238**  
**UltraHD Rolling Cabinet**

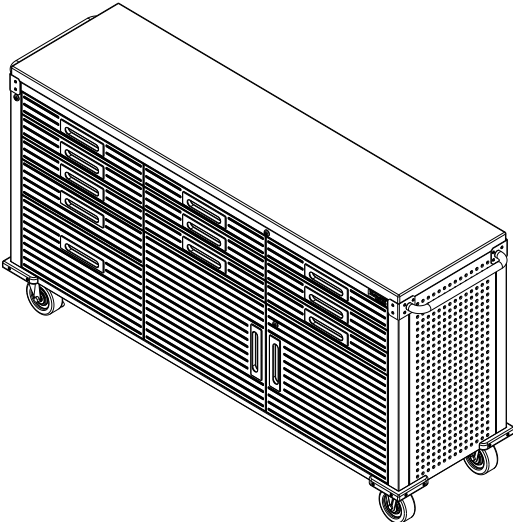
# UltraHD Line



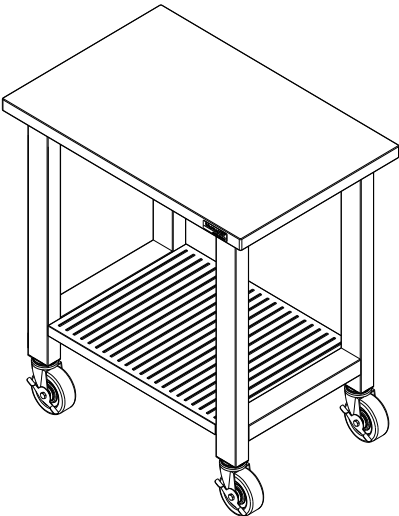
**Model No. 20206**  
**UltraHD Workbench**



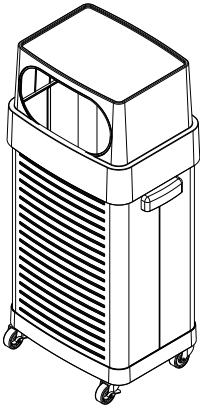
**Model No. 20230**  
**UltraHD Wall Cabinet**



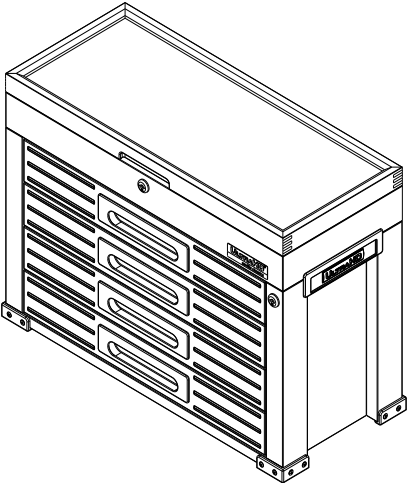
**Model No. 20262**  
**UltraHD Rolling Workbench**



**Model No. 20283**  
**UltraHD Mobile Work Table**



**Model No. 20215**  
**UltraHD Trash Bin**



**Model No. 20255**  
**UltraHD Tool Box**