



# The Perfect Garage



## MASTER CABINET INSTRUCTION MANUAL



# Welcome, To your Perfect Garage.

**Thank you** for your purchase of RESTORE®, The Perfect Garage storage system. You are now on your way to reclaim and restore the valuable space in your garage.

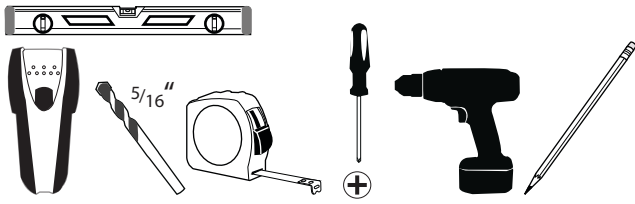
RESTORE® allows you to store more items in less space. When you are done storing your items, our unique hide-a-way blind covers the area to give your garage a clean showroom look!

Your RESTORE® garage storage system has left the factory complete and ready for installation. If for some reason you have missing or defective parts, **please do not return the merchandise to the retailer**. Please contact our customer service for assistance at:

**1-800-883-9919**

We hope you enjoy our innovative line of RESTORE® products.

## Required Tools



Part/Number	Image	Qty.
Cabinet Bottom Panel (A)		1
Blind Skirt Panel (B)		2
Left Side Panel (C)		1
Inner Support Panel (D)		1
Right Side Panel (E)		1
Back Panel (F)		1
Cabinet Top Panel (G)		1
Cabinet Door		1
Blind Bracket		2
Cabinet Bracket		2
Blind		1
Upright		2
Gas Assisted DoorLift		1

Part/Number	Image	Qty.
Upper Connector		2
Wall Mount Bracket		1
Hook Carrier		1
Hook Carrier Bracket		2
Hook Carrier Cover		1
Joint Lock		20
Joint Pin		20
Wood Screw		12
#20 Bolt		6
#20 Nut		6
#20 Bolt Long		4
#20 Long Bolt Nut		4
Washer		4
#4 Screw		23
#6 Anchor Screw		10
Plastic Anchor		10

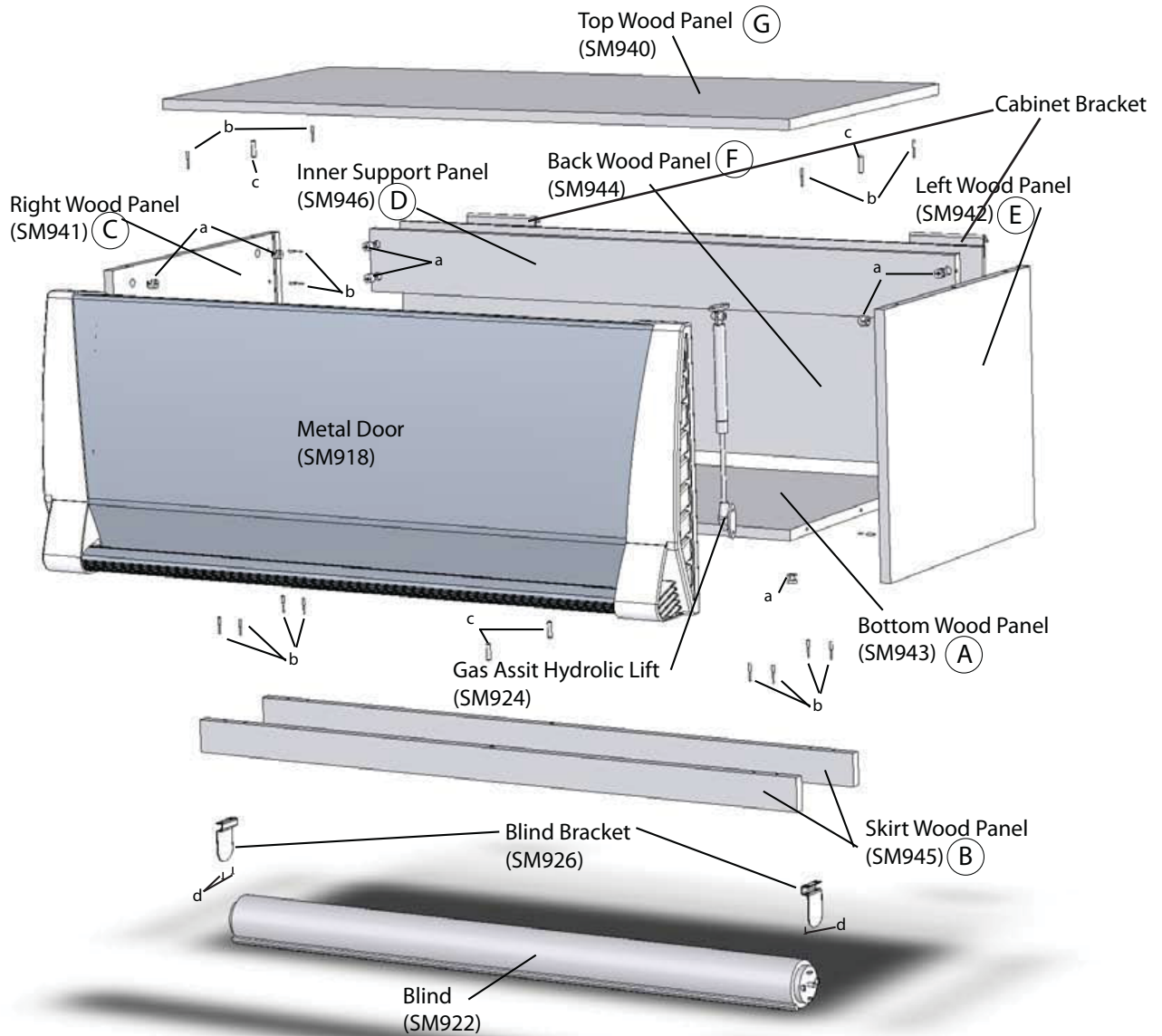
**Note:** If you are missing parts, please do not return to the retailer. The store you purchased this product from does not carry parts. Please call us at 1-800-883-9919 and we will send you replacement parts.

# Cabinet Reference

This page illustrates how the RESTORE M1 Master Cabinet System is put together. This is to be used as reference for the instruction manual

## Cabinet

Cabinet Exploded View



### Hardware Legend

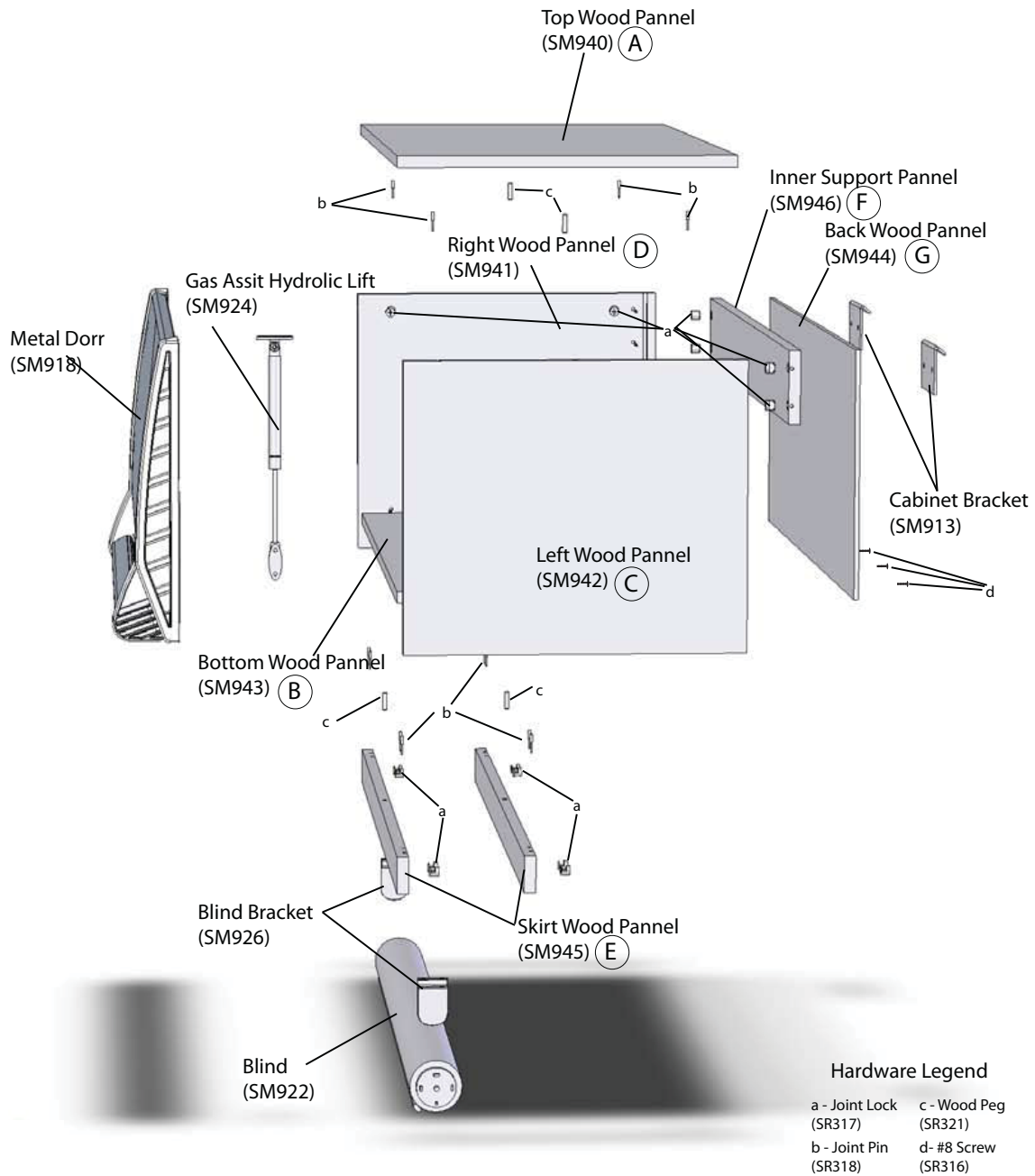
- |                        |                      |
|------------------------|----------------------|
| a - Joint Lock (SR317) | c - Wood Peg (SR321) |
| b - Joint Pin (SR318)  | d - #8 Screw (SR316) |

# Cabinet Reference

This page illustrates how the RESTORE M1 Master Cabinet System is put together. This is to be used as reference for the instruction manual

Cabinet

## M1 Master Cabinet Exploded View

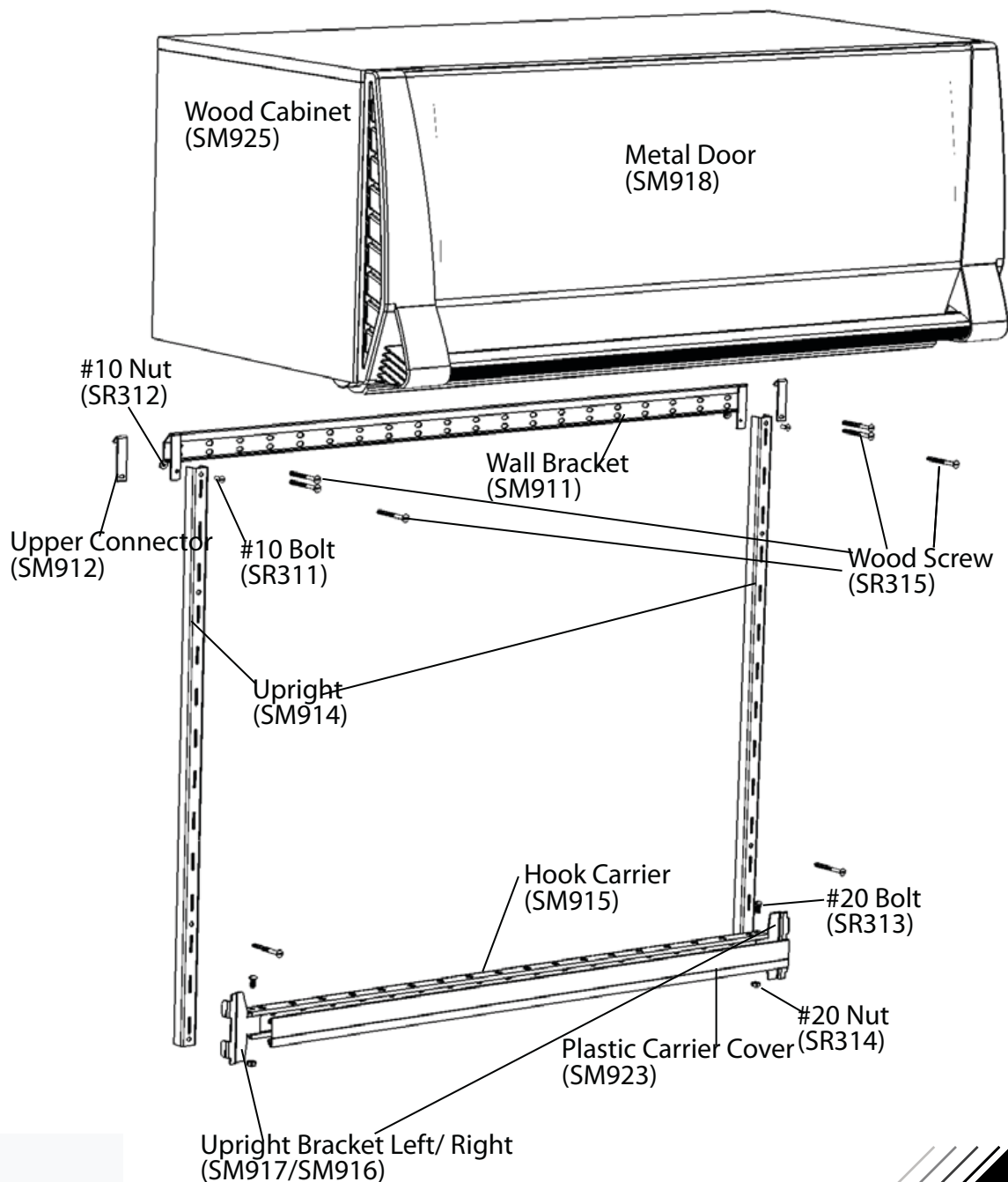


# Cabinet Reference

This page illustrates how the RESTORE M1 Master Cabinet System is put together. This is to be used as reference for the instruction manual

Cabinet

## M1 Master Cabinet System Exploded View



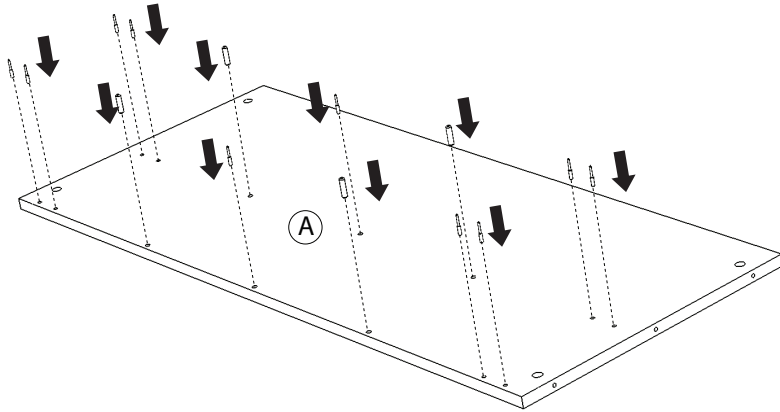
# Cabinet Assembly

## Cabinet

### Requirements:

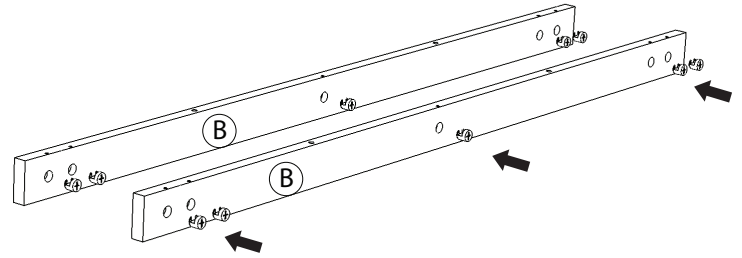


#### STEP 1



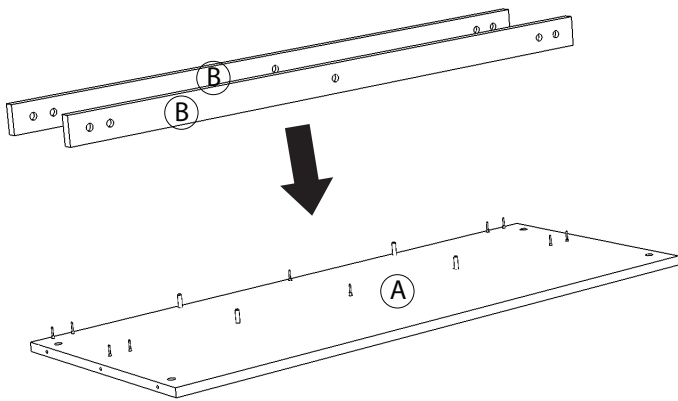
Secure joint pins and wood pegs onto the bottom panel. (A)

#### STEP 2



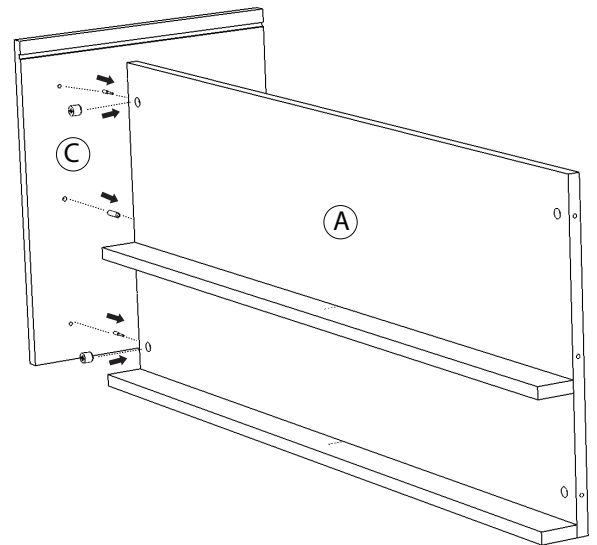
Place the joint lock to the two skirt panels. (B)  
Make sure the arrows on the lock face towards the hole on the top of the panel.

#### STEP 3



Place the two skirt panels to the bottom panel. Turn the lock clockwise to lock and tighten the panels together.

#### STEP 4



Secure the joint locks to the bottom panel and the joint pins and wood pegs to the left panel only. (C)

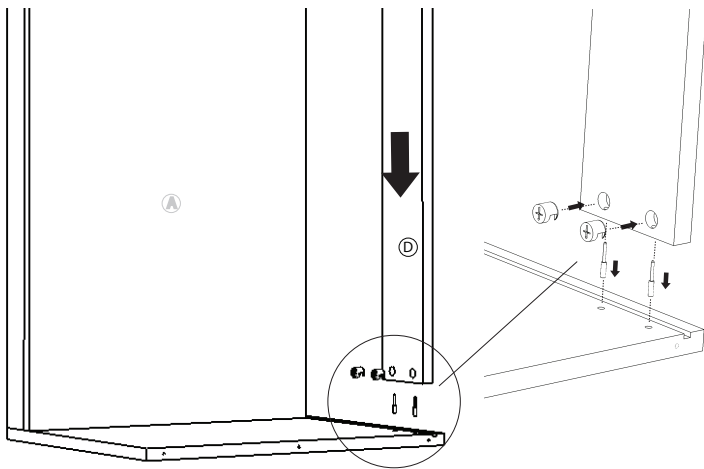
# Cabinet Assembly

## Cabinet

### Requirements:

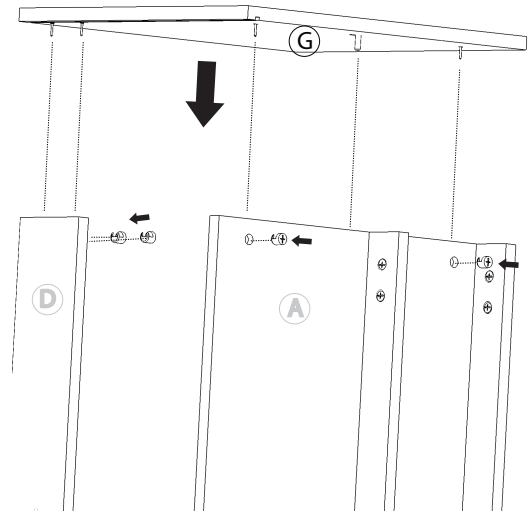


#### STEP 5



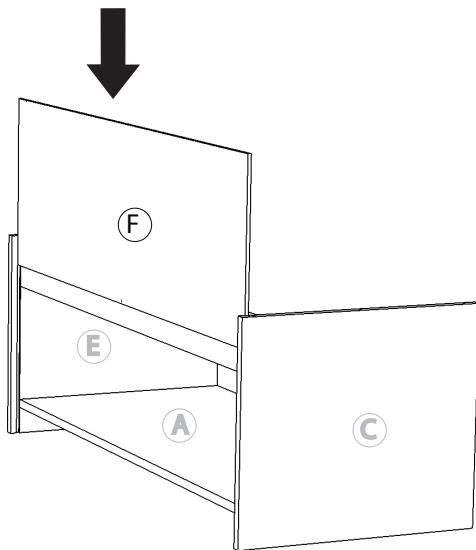
Secure joint pins and wood pegs to the right panel.  
Insert joint locks to the inner support (D) panel and lock the two panels in place

#### STEP 6



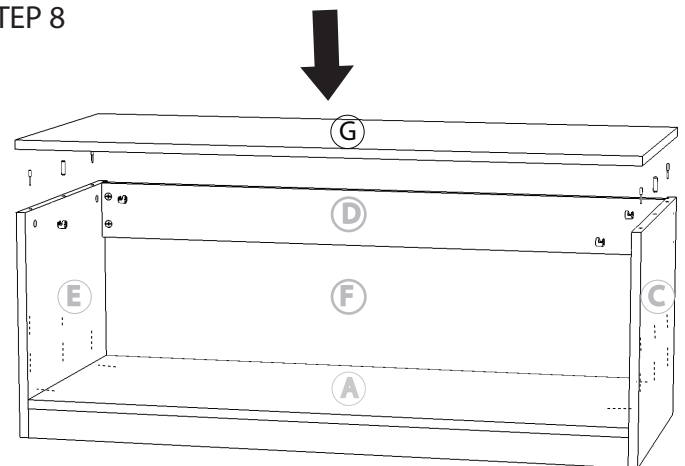
Secure joint pin and wood pegs to the left panel.  
Insert joint locks to inner support and bottom panel.  
Attach left panel to the inner support (G) and bottom panel. Tighten all joint locks.

#### STEP 7



Slide the back panel (F) through the slot and let it rest level with the floor.

#### STEP 8



Secure joint pins and wood pegs to the top panel.  
Insert joint locks to the side, back, and inner support panel.  
Tighten all locks.

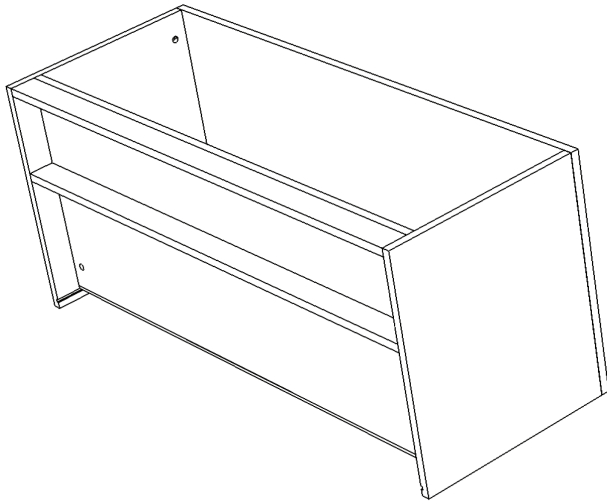
# Cabinet Assembly

## Cabinet

### Requirements:

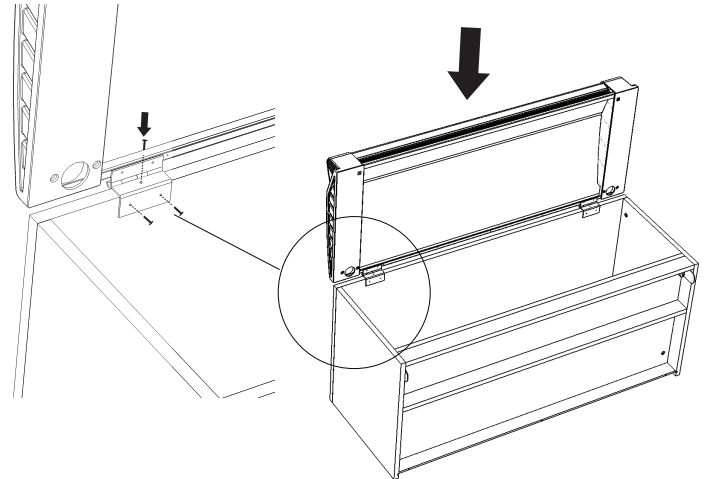


STEP 9



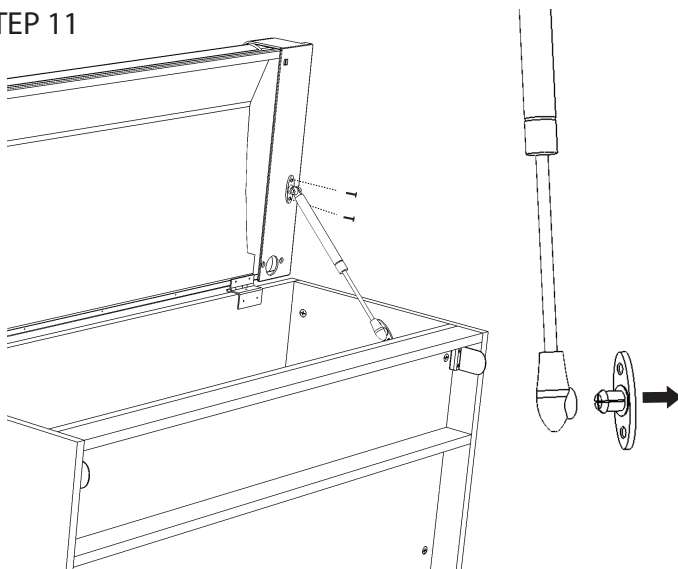
Place the cabinet on its back

STEP 10



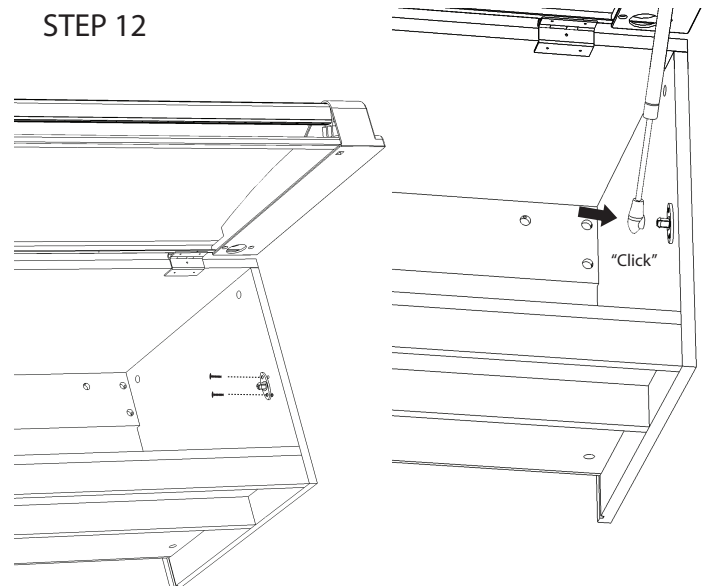
Secure the cabinet door hinge to the cabinet body with #4 screw

STEP 11



Connect the other end of the lift to the door with #4 screws.  
Detach the gas assist head plate from the main assembly.

STEP 12



Attach the gas assisted lift plate to the cabinet body with #4 screws.  
Then secure the piston body to the gas assisted lift plate.

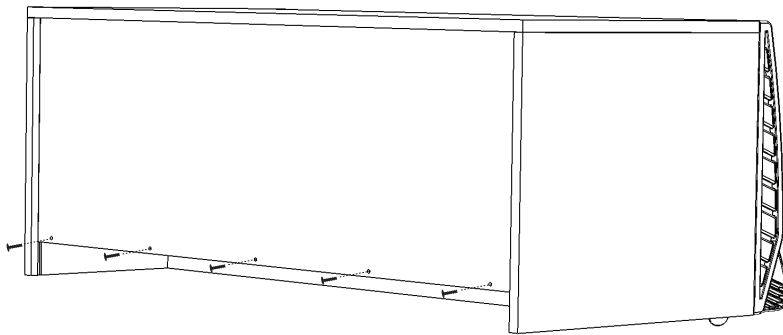
# Cabinet Assembly

## Cabinet

### Requirements:

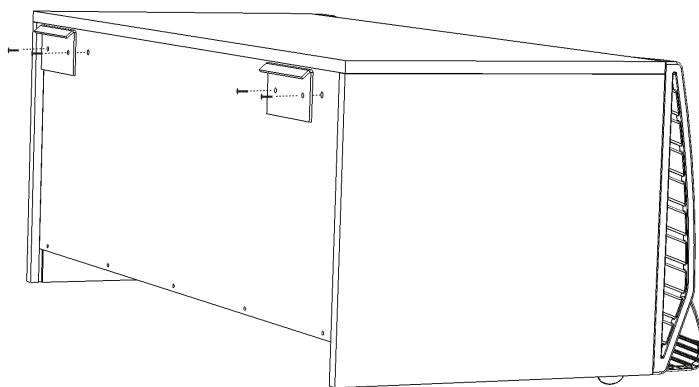


#### STEP 13



Secure #4 screws through the back panel, into the bottom panel

#### STEP 14



Secure the cabinet bracket with #20 long bolt and #20 nut to the back panel and the inner support panel. Please make sure the #20 nut is secured to the inside of the cabinet and washers are placed where hardware makes contact with the wood.

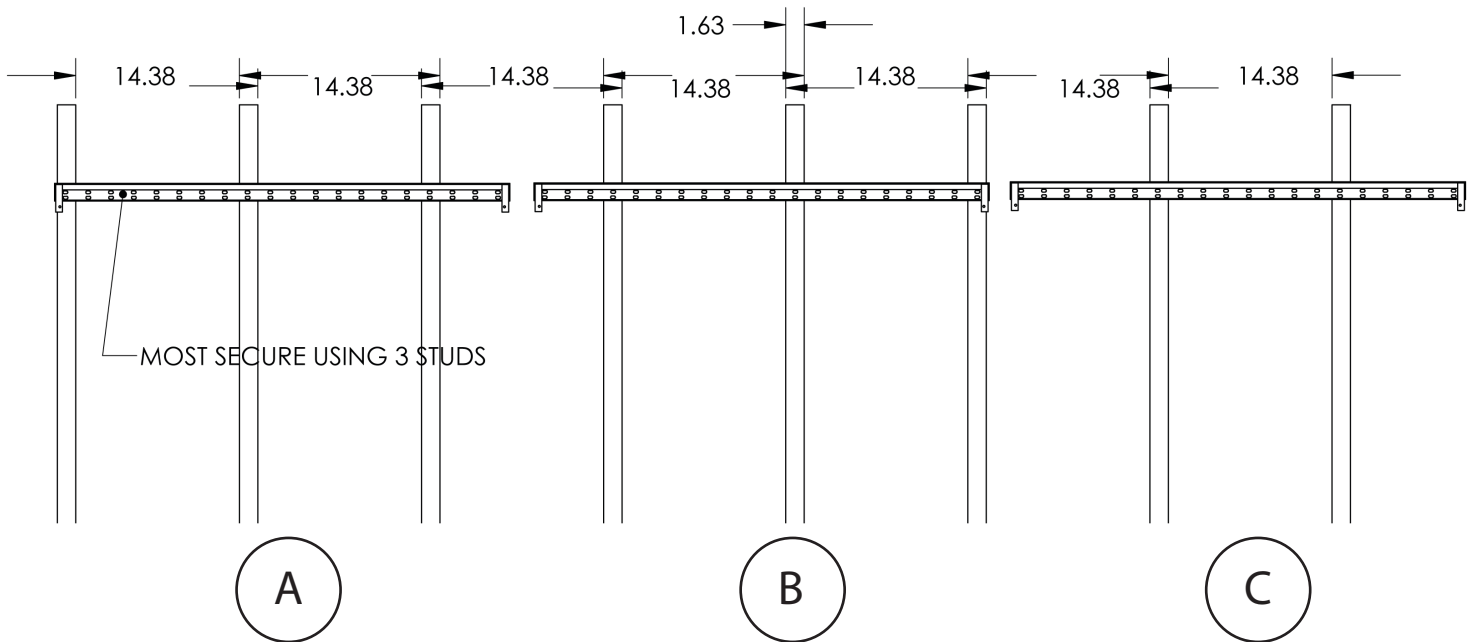
# Wall Mounting

It is recommended that 2 or more people install the cabinet to the wall.

**WARNING: Please Follow all instructions in the order they are presented, to prevent serious injury or property damage.**



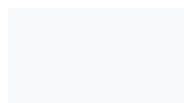
**Warning:** For maximum load capacity, Wall Bracket **MUST** be secure to 3 studs.



When installing multiple RESTORE M1 Master Cabinets, not all wall brackets will hit 3 studs. Make a note of which cabinet is on 2 studs.

When installing a RESTORE M1 Master Cabinet with RESTORE S1 Metal Shelf Kit, the S1 Shelf Kit wall bracket **must hit 3 studs**. See (A) or (B)

It is okay to use just 2 studs when mounting only the M1, (C) however, it is recommended to mount the cabinet on 3 stud for added security, especially if you plan to install additional RESTORE accessories on the same unit.



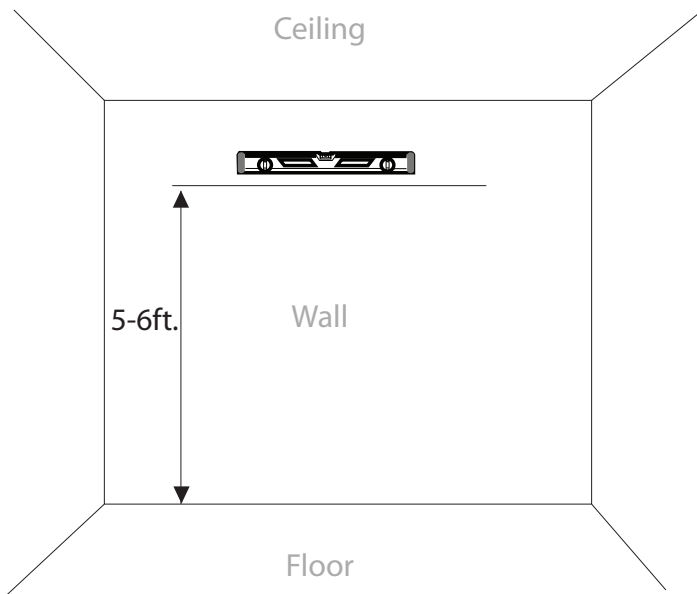
# Wall Mounting

It is recommended that 2 or more people are used to install cabinet to the wall.

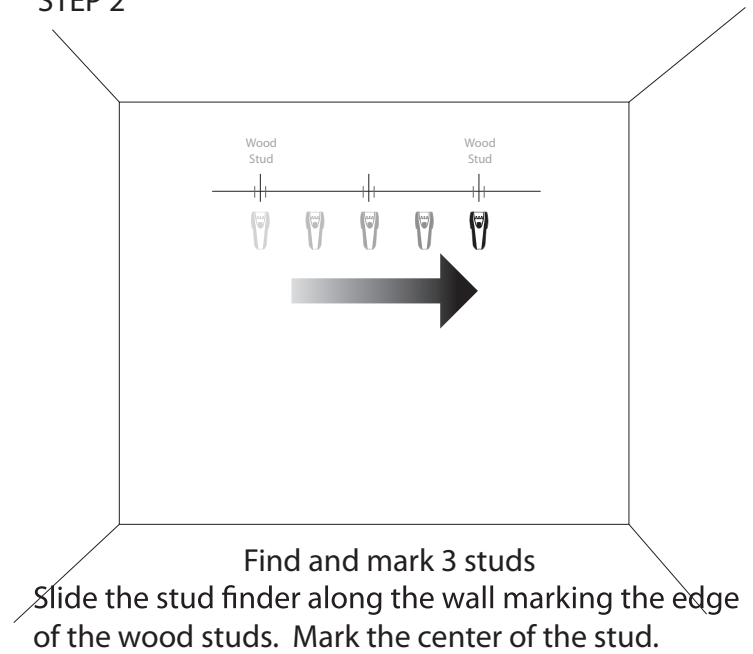
**WARNING: Please Follow all instructions in the order they are presented or serious injury or even death may occur.**

## Requirements:

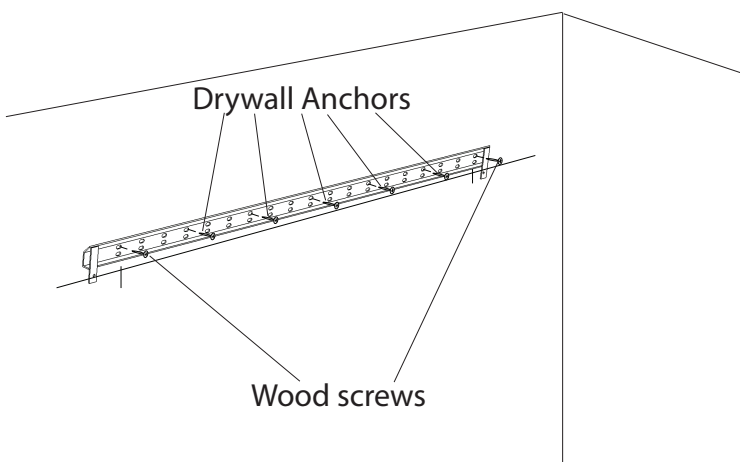
### STEP 1



### STEP 2

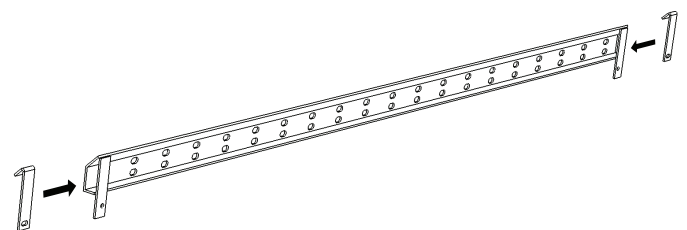


### STEP 3



**Note:** Use two wood screws per stud and at least one anchor between stud.

### STEP 4



Slide upper connectors to the wall bracket

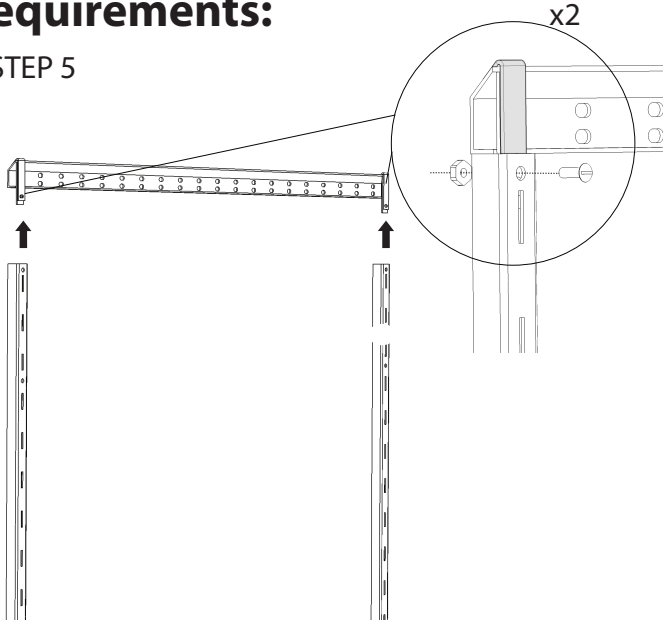
# Wall Mounting

It is recommended that 2 or more people are used to install cabinet to the wall.

**WARNING: Please Follow all instructions in the order they are presented or serious injury or even death may occur.**

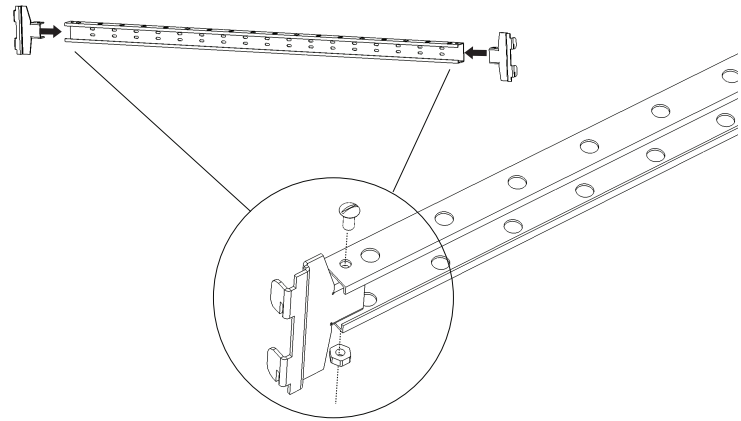
## Requirements:

STEP 5



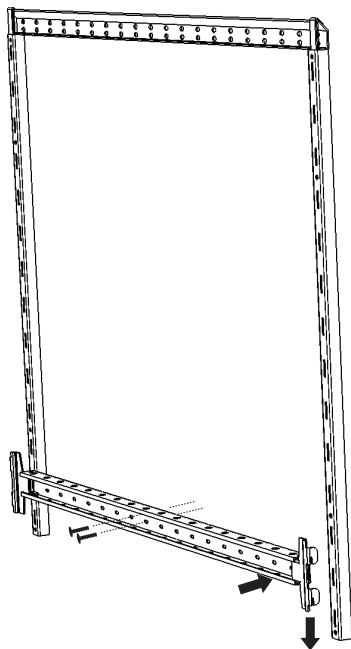
Line up the uprights with the upper connector and the wall bracket and use the #20 nut and bolt to secure it all together.

STEP 6



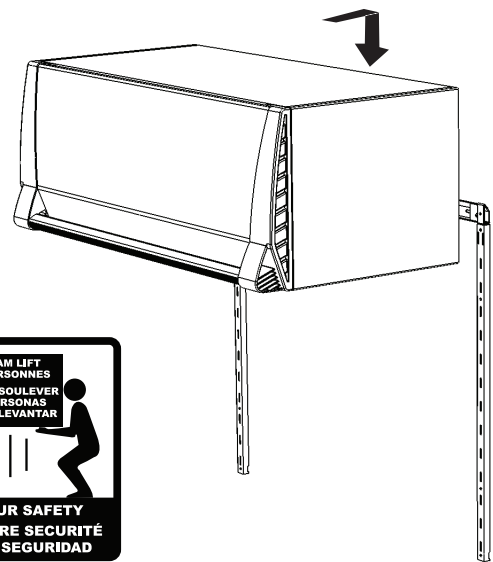
Take the upright bracket and connect them to the hook carrier using four #20 nut and bolts

STEP 7



Attach the hook carrier assembly to desired height and secure it to the middle stud with two wood screws

STEP 8



Lift the cabinet, (with two people) and make sure the wall bracket and the cabinet bracket hooks together.

# Wall Mounting

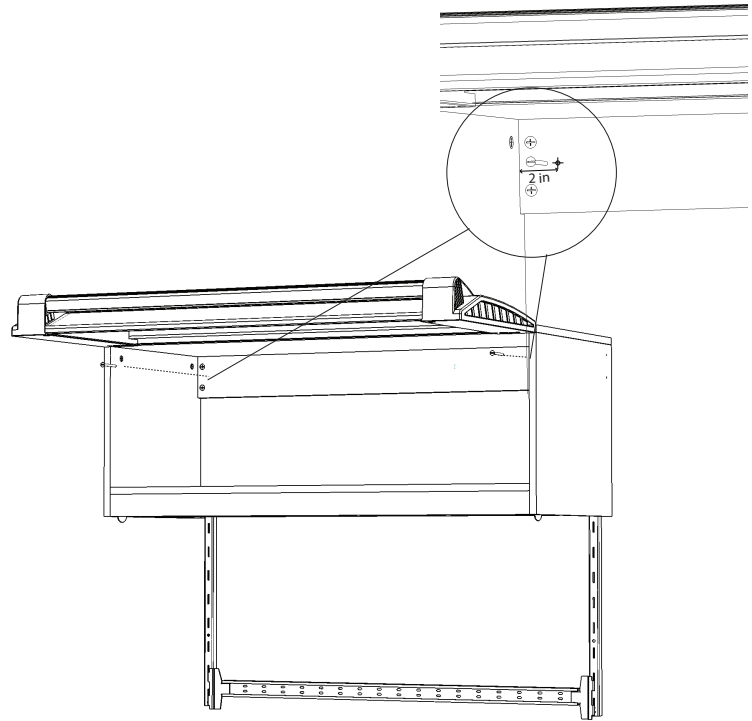
It is recommended that 2 or more people are used to install cabinet to the wall.

**WARNING: Please Follow all instructions in the order they are presented or serious injury or even death may occur.**

## Requirements:

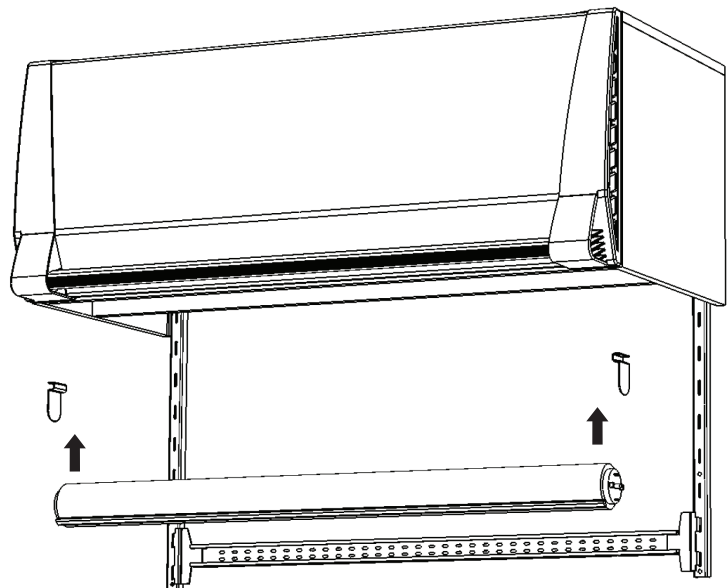
STEP 9

Drill two wood screws into the stud from the inside of the cabinet.



STEP 10

Secure the blind bracket with #4 screw.  
Place the blind into the blind bracket.  
Please check the configuration of blind and blind bracket before installing.



# Wall Mounting

It is recommended that 2 or more people are used to install cabinet to the wall.

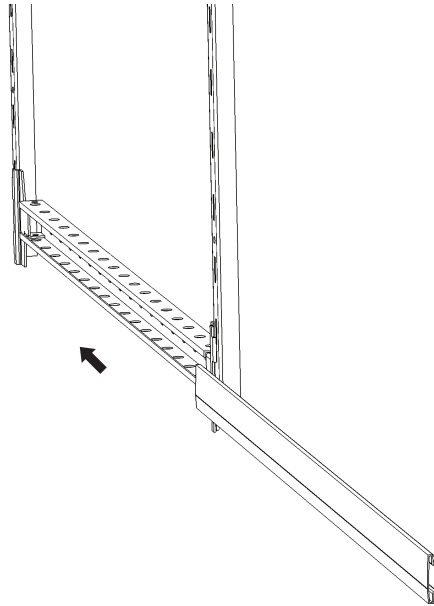
**WARNING: Please Follow all instructions in the order they are presented or serious injury or even death may occur.**

---

## Requirements:

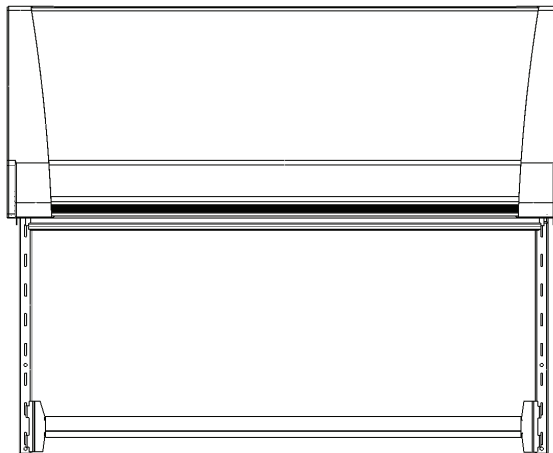
STEP 11

Slide plastic cover over the hook carrier



---

Congratulations on successfully assembling  
and installation of you RESTORE Master Cabinet



If you have any questions about installation or  
are missing parts, contact us at:

Customer service: (800) 883-9919

**AUTOMOTIVE INNOVATIONS INC., Totowa, NJ 07512**

[aia-usa.com](http://aia-usa.com)

All Rights Reserved

RS420