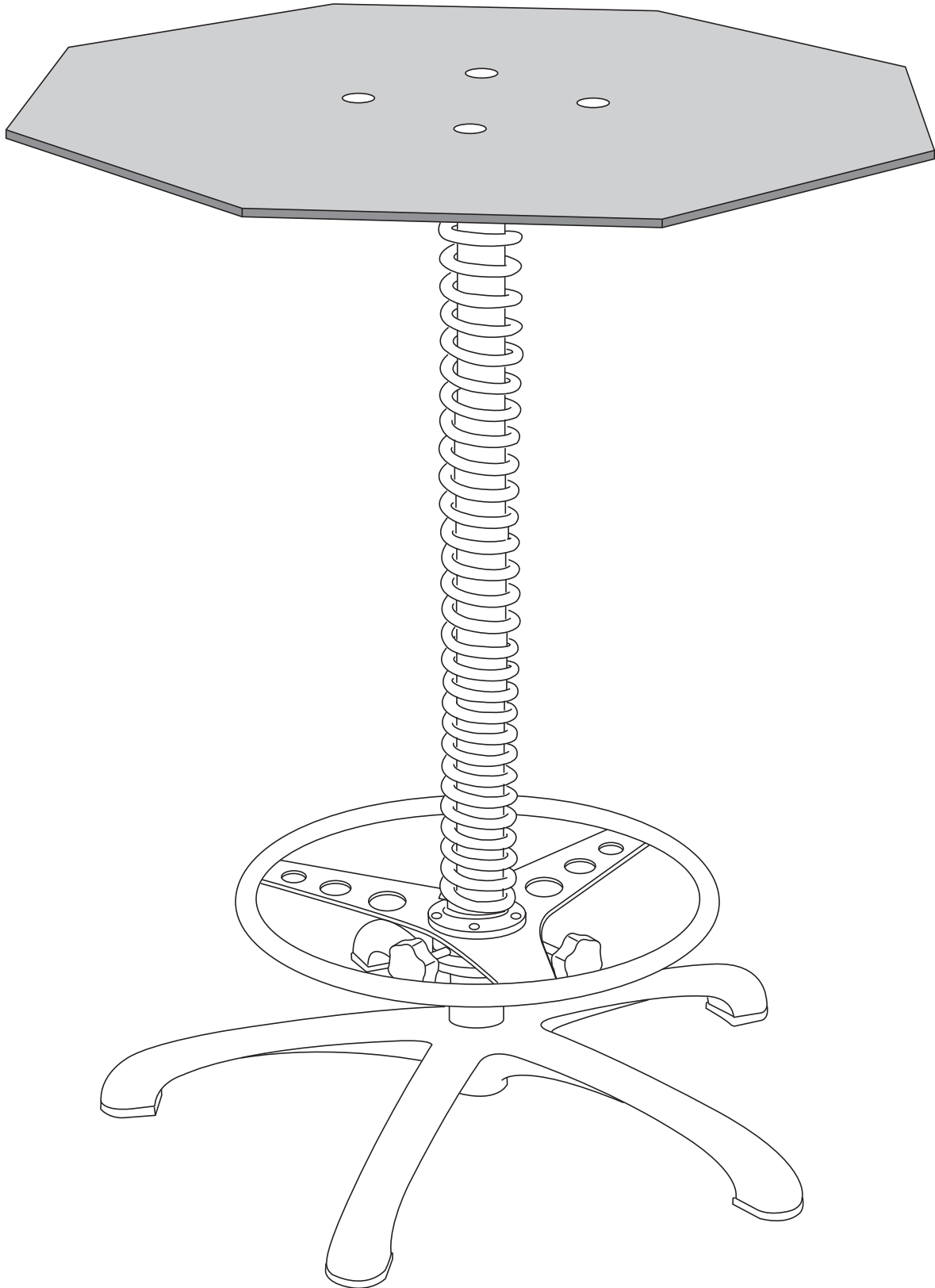
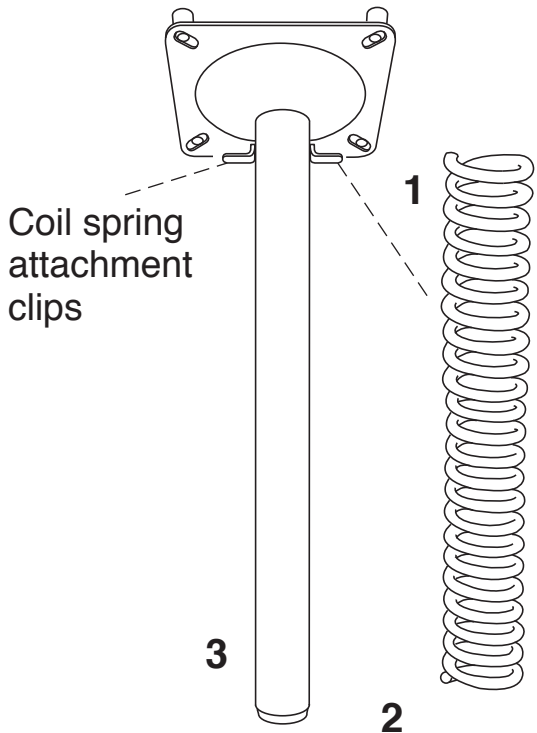



**PITSTOP CREW CHIEF
BAR TABLE - BT7000
PARTS ASSEMBLY**



**PITSTOP CREW CHIEF
BAR TABLE - BT7000
PARTS ASSEMBLY**

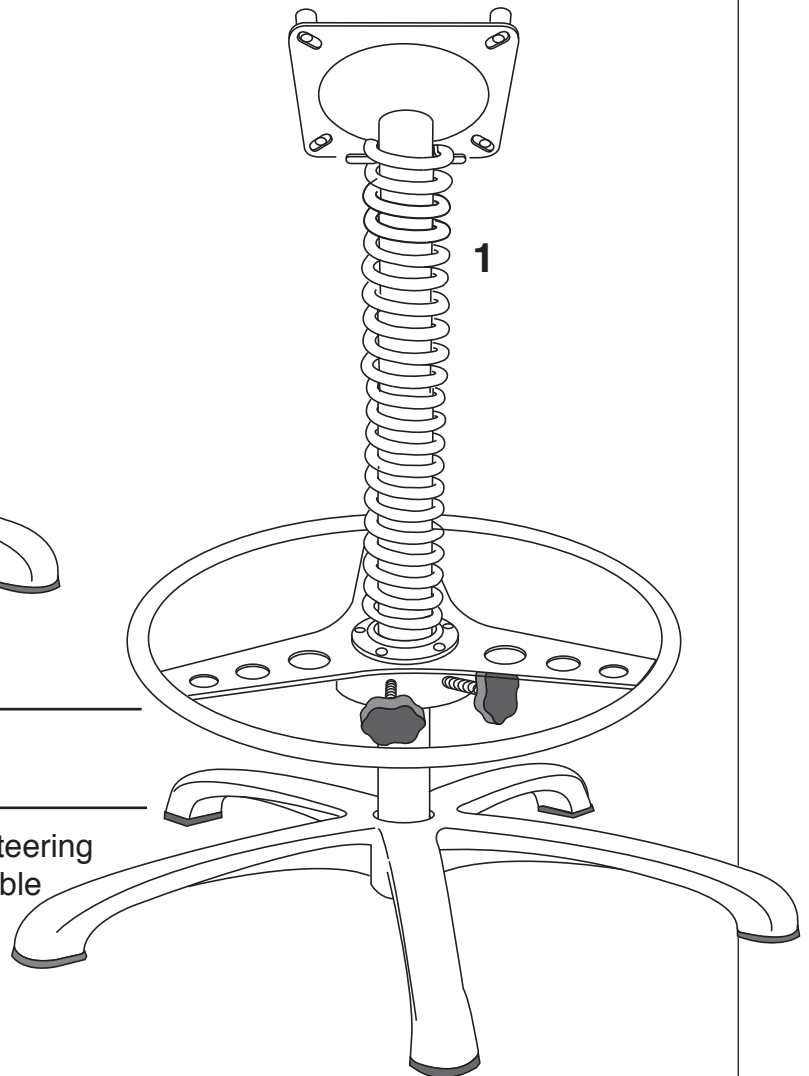
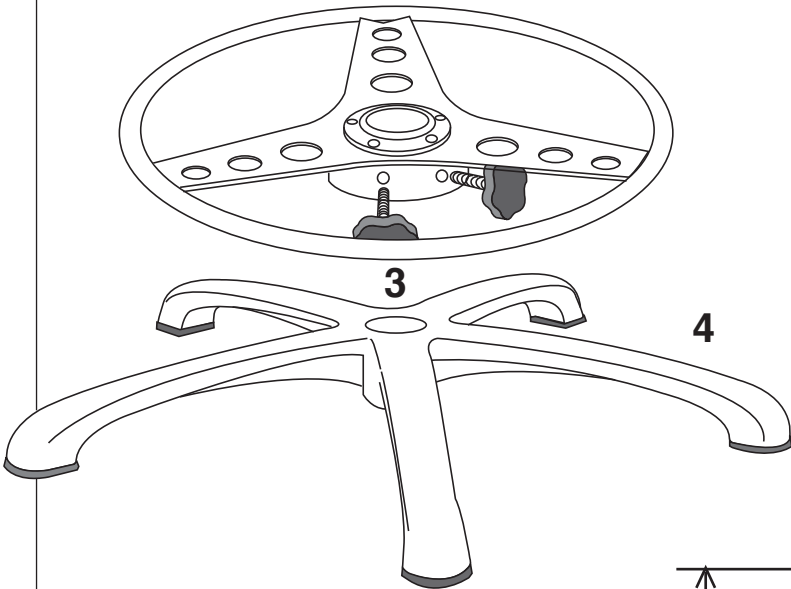


1- position suspension coil over post and secure to clips.

2- position steering-wheel foot-rest over post (tighten with 2 knobs). 

3- insert table post, with coil, steering-wheel foot-rest into 4- table base, socket (snugly).

5- with assistance, carefully position table top and secure to post with four (4) bolts provided (see page 3)



Suggest a clearance of at least 5" from under steering wheel foot rest to top of table base. (adjust to your comfort level)

**PITSTOP CREW CHIEF
BAR TABLE - BT7000
PARTS ASSEMBLY**

5 With assistance, carefully position table top and secure to post with four (4) bolts provided

6 Secure table armature-post-base to glass bottom with four bolts, lock-washer and washer

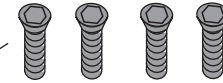
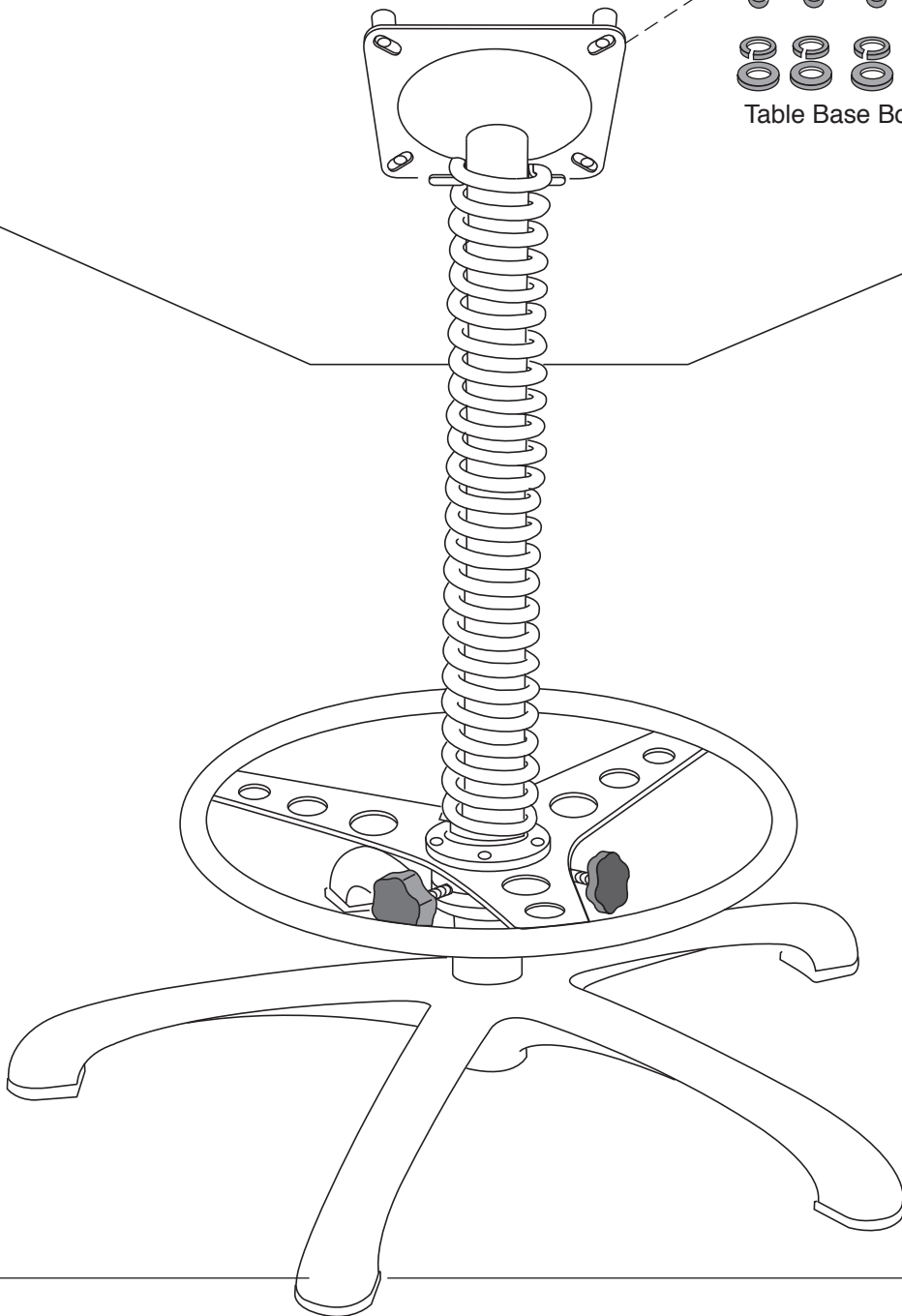
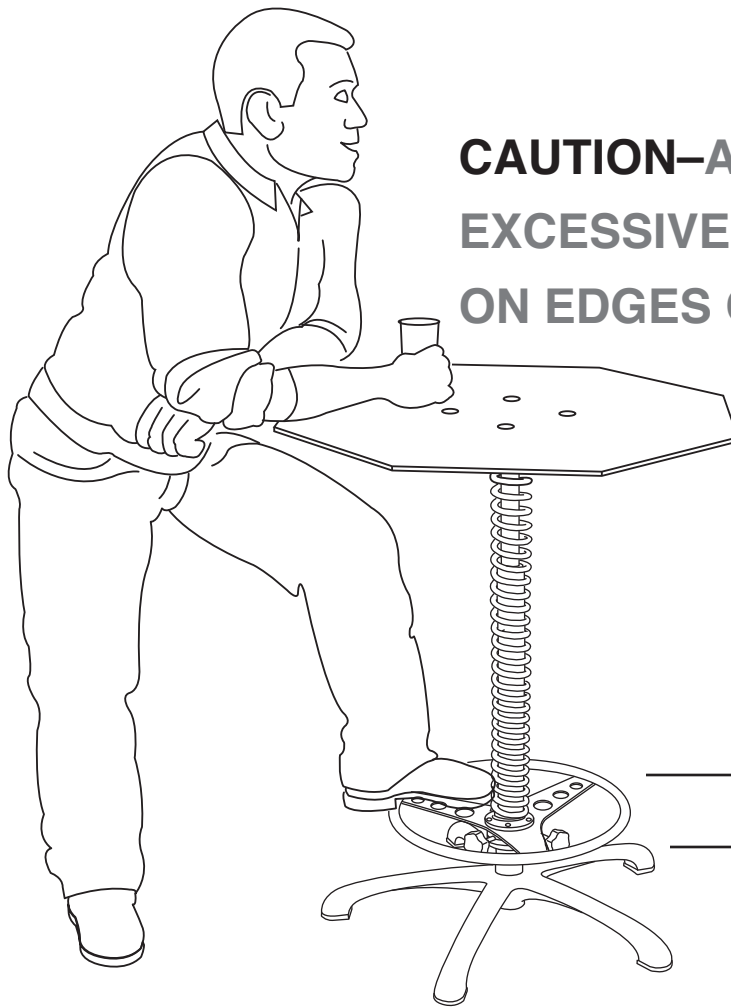


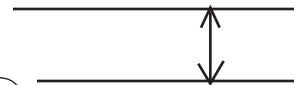
Table Base Bolts



**PITSTOP CREW CHIEF
BAR TABLE - BT7000
PARTS ASSEMBLY**



**CAUTION-AVOID
EXCESSIVE WEIGHT
ON EDGES OF TABLE**



Suggest a clearance
of at least 5" from under
steering wheel foot rest
to top of table base.
(adjust to your comfort level)