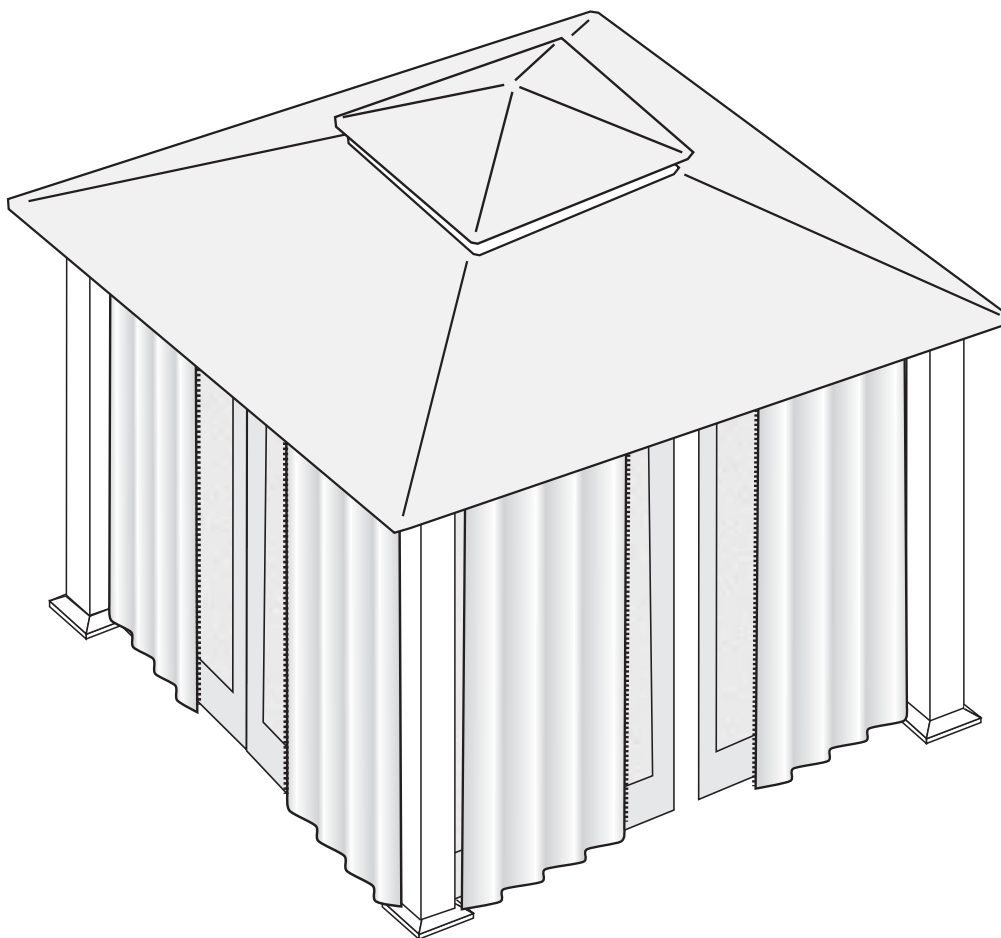




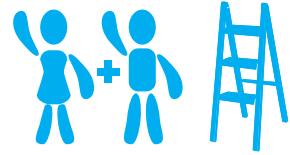
# GZ734

## Gazebo Curtain Installation Instructions



Systems Trading Corporation  
Customer service: (877)782 4482

# Introduction



Thank you for purchasing the GZ734 Gazebo Curtain Set. When properly assembled and maintained, this Gazebo Curtain Set will provide many years of enjoyment!

The Curtain Set is meant to be installed on an existing Gazebo.

These instructions include helpful hints and important information needed to safely assemble and properly install the curtains. Please read these instructions completely before you begin.

## Before Starting Assembly:

**CAREFULLY READ ALL THE INSTRUCTIONS BEFORE YOU BEGIN AND FOLLOW THE STEPS IN THE ORDER THEY ARE PRESENTED.**

### 1. Make sure you have all the necessary parts:

Compare the contents of the carton to the List of Parts. If any parts are missing or damaged, or you have any questions, please contact Customer service: (877)782 4482 before beginning assembly.

### 2. Lay the parts out in a separate staging area:

The List of Parts has the corresponding step number referenced to each part. We recommend that while you go through the list, make staging areas for each step and place the parts necessary for each step in these areas. This will save you time and effort during assembly.

### 5. Make sure you have the proper tools:

- Small Step Ladder
- Work Gloves
- Safety goggles
- Scissors
- Phillips Screwdriver
- Liquid soap or WD40 Lubricant
- Hex Key

**NOTE:** A cordless drill with Phillips head bit is highly recommended but not essential.

## Safety Advice

- Dispose of all plastic bags safely. Keep them out of the reach of children.
- Keep children and pets away from the assembly area until the work is completed.
- Always wear shoes, gloves and safety goggles when working.
- Take special care not to touch overhead power lines with the aluminium profiles.
- Do not attempt to assemble in windy or wet conditions.
- If using power tools or a ladder, always follow the manufacturers safety instructions.

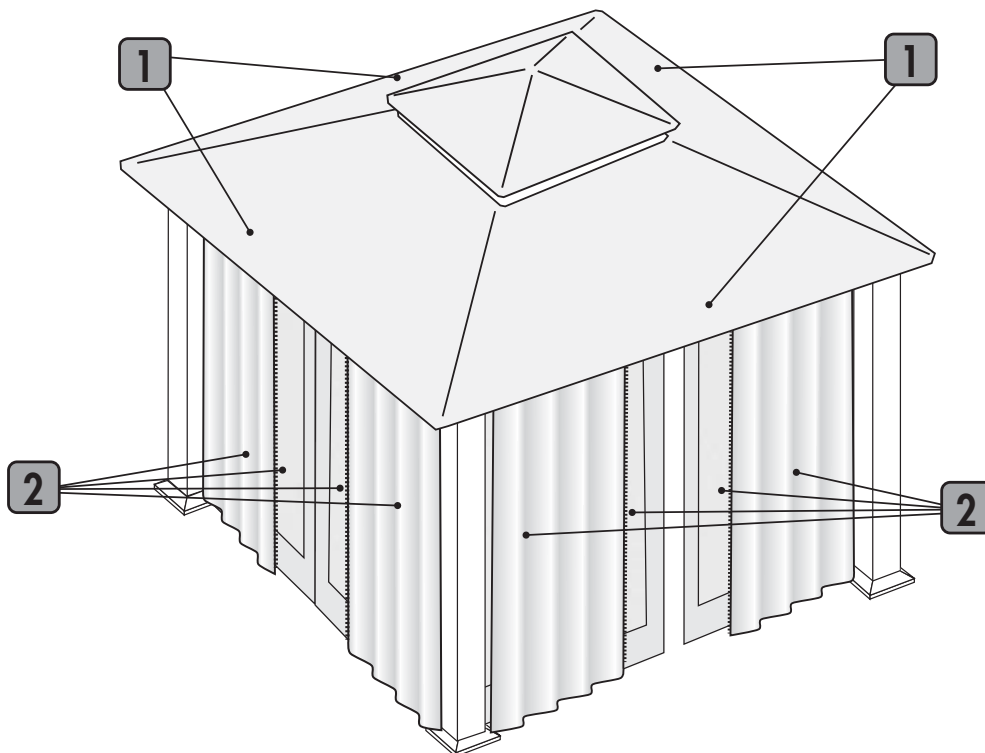
## Table of Contents

Introduction.....	2
Table of Contents.....	3
List of Parts.....	4
<b>Step 1</b> Attaching the Curtain Rails.....	5
<b>Step 2</b> Hanging the Curtains.....	7

## General Order of Assembly

**Step 1** Attaching the Curtain Rails

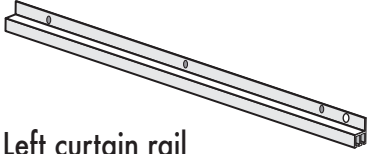

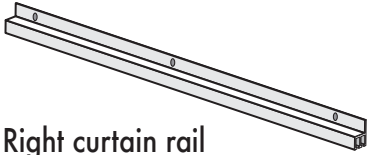





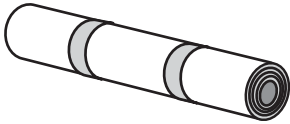

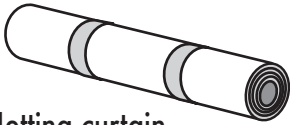

**Step 2** Hanging the Curtains



# List of Parts



Place all the parts for each step in staging areas, checking that you have all parts as you go.  
 If any parts are missing or damaged, contact customer service before beginning assembly:  
 Customer service: (877)782 4482

No.	Part		Qty	Step
24	 Left curtain rail		4	1
25	 Right curtain rail		4	1
26	 Curtain hook		80	1
27	 Self tapping screw		24	1
28	 Privacy curtain		4	2
29	 Netting curtain		4	2

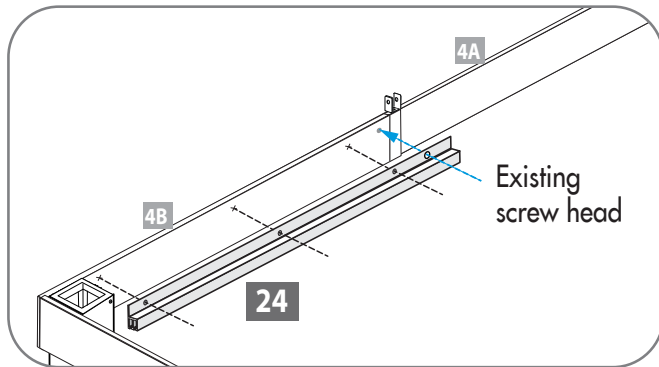
We included some extra screws for your convenience.

# STEP 1 Attaching the Curtain Rails

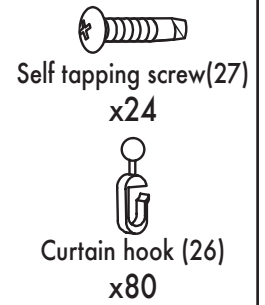
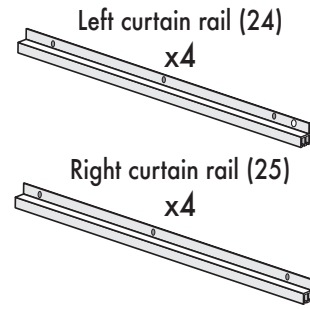


## 1.A

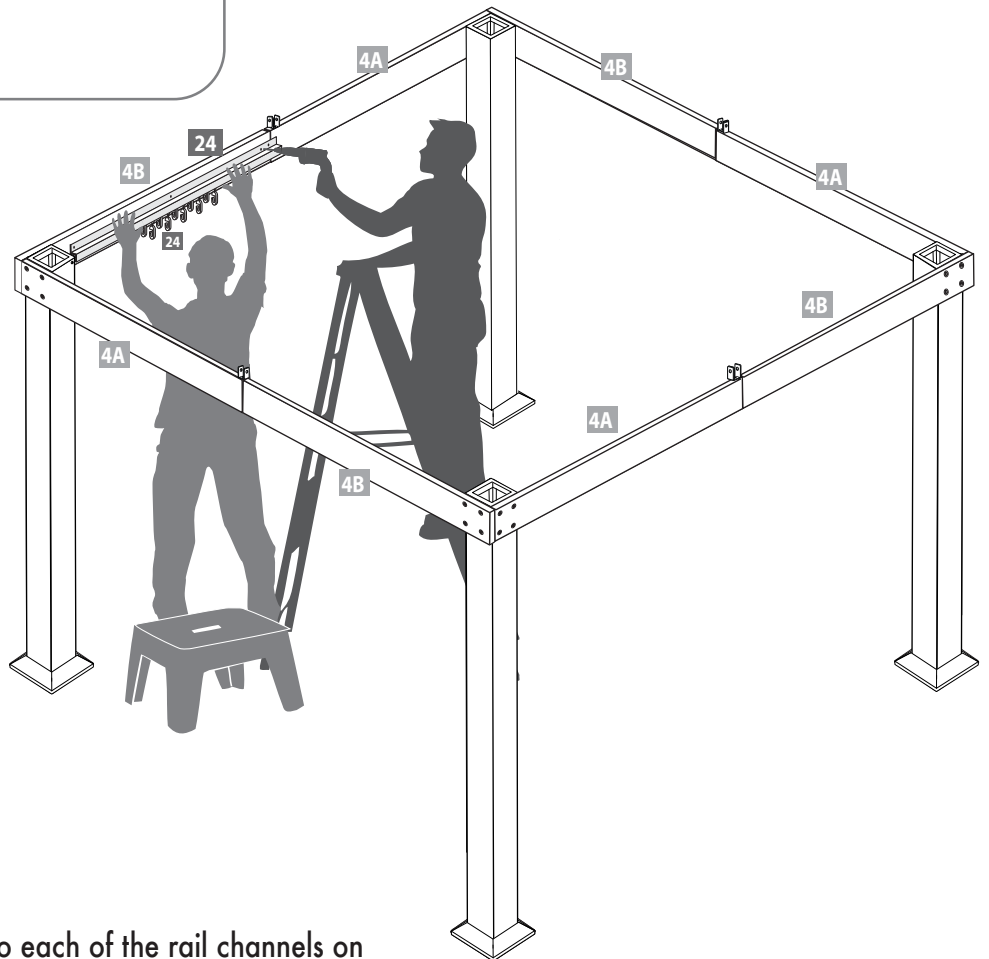
From inside your gazebo, use the left curtain rail (24) along the inside of left profile (4B) as template to mark the 3 screw positions. The pierced larger hole in curtain rail (25) is meant to fit over the existing screw head on profile (4B) and will guide you to the correct height for the curtain rail.



## Components



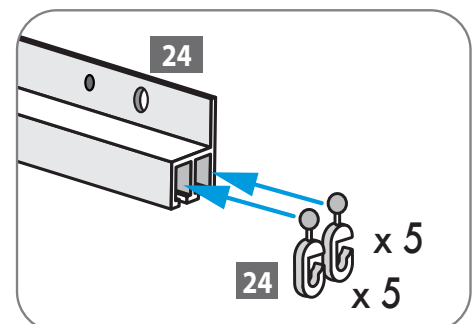
**ATTENTION:** Make sure the left end of curtain rail (24) touches the the left end plate of gazebo profile (4B) when marking the screw positions.



## 1.B

Slide 5 curtain hooks into each of the rail channels on left curtain rail (24), as shown.

Attach first curtain rail (24) to profile (4B) using three self tapping screws (27).



## 1.C

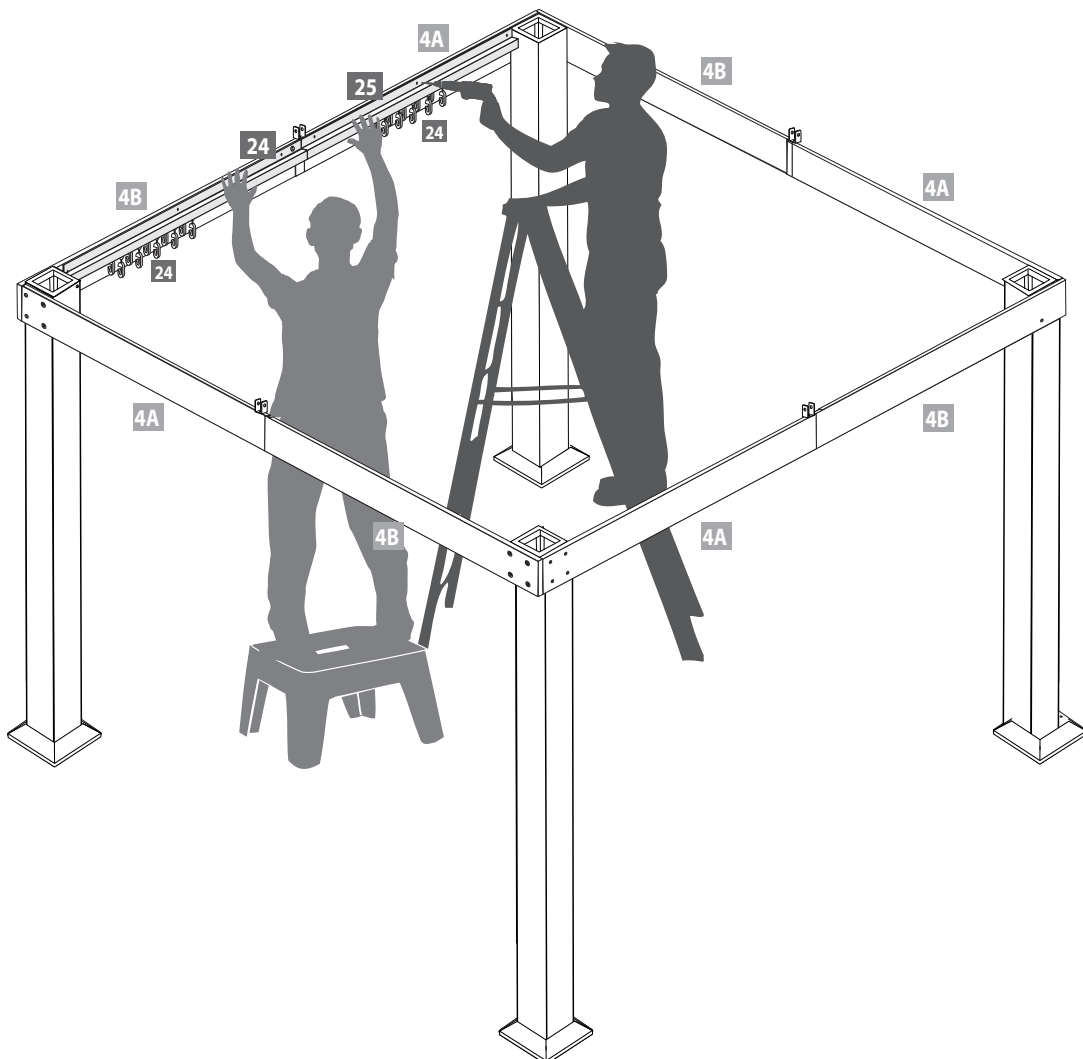
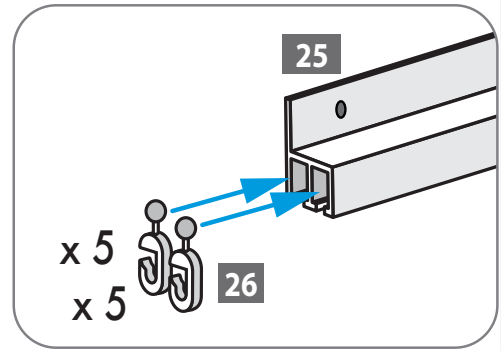
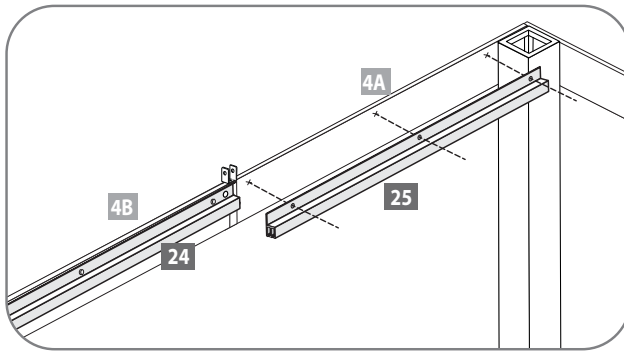
Use the right curtain rail (25) along the inside of right profile (4A) as template to mark the 3 screw positions.

Installed left curtain rail (24) will guide you to the correct height.

Slide 5 curtain hooks into each of the rail channels on right curtain rail (25), as shown. Attach right curtain rail (25) to profile (4A) using three self tapping screws (27).

Tighten all screws using an electric screw driver.

Repeat steps on the remaining three sides of your gazebo.



## STEP 2 Hanging the Curtains

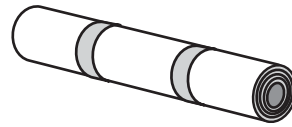


### 2.A

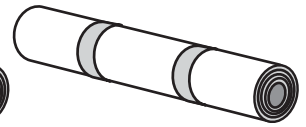
From inside your gazebo, hang first the privacy curtain panels (28) on curtain hooks (26) in the outer rail channels:

Hang two curtain panels of privacy curtain (29) on each side of your gazebo on curtain rails (24,25).

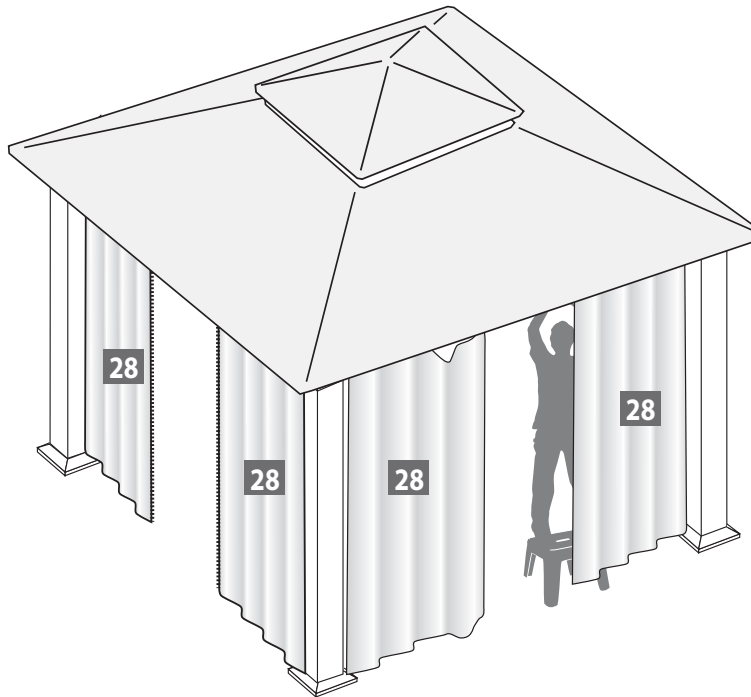
### Components



Privacy curtain (28)  
x4



Netting curtain (29)  
x4

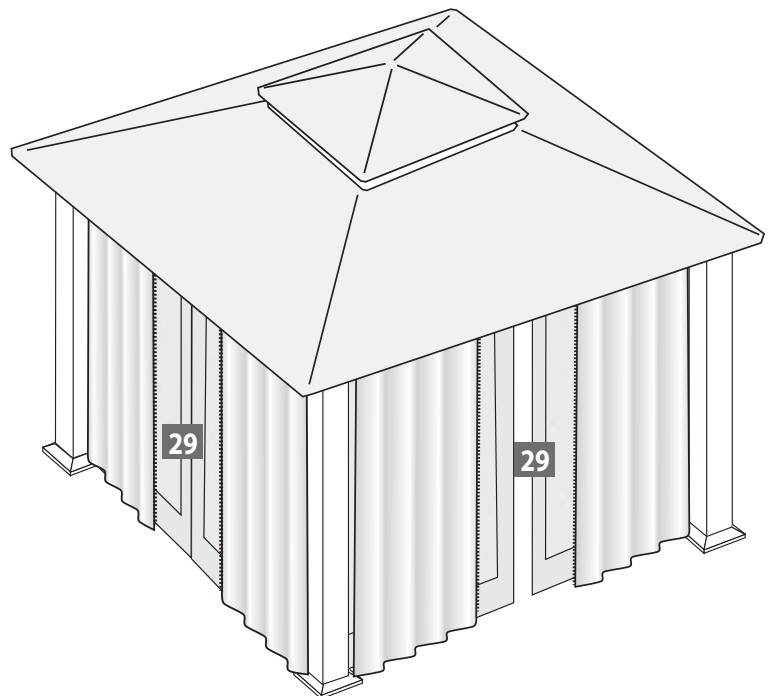


### 2.B

By the same method hang the netting curtain panels (29) on curtain hooks (26) in the inner rail channels.

Hang two curtain panels of netting curtain (29) on each side of your gazebo on curtain rails (24,25).

You can tie the curtains to the corner posts, using the supplied straps, according to need.



Enjoy your Gazebo with curtains!

**WARRANTY:**

Warranty covers damage due to manufacturing defects only. Warranty does not cover weather inflicted damage (Force Majeure) and/or damages caused by not following assembly instructions and adhering to warnings in manual.

**WARNING:**

In order to prevent possible damage to fabric and/or structure, fabric should be removed before wind storms, or major inclement weather events.



**Systems Trading Corporation**  
Customer service: (877)782 4482