

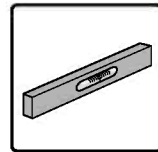
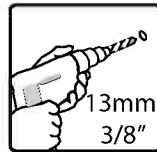
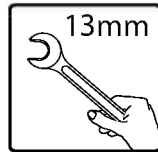
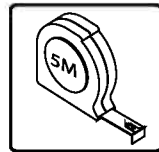
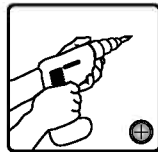


## Assembly Instructions

### Verona™ 5000 - Carport

Approx. Dim.

500 L x 297.5 W x 218 H cm / 196.8" L x 117.1" W x 85.8" H



### After Sale Service

Email: [customer.service@palram.com](mailto:customer.service@palram.com)

USA 877-627-8476  
Canada 1 800-866-5749

England 01302-380775  
Germany 0180-522-8778

France 0169-791-094  
International +972 4-848-6942

[www.palramapplications.com](http://www.palramapplications.com)

**IMPORTANT**

Please read these instructions carefully before you start to assemble this greenhouse.  
Please carry out the steps in the order set out in these instructions.  
Keep these instructions in a safe place for future reference.

» Care and Safety advice

- Please follow the instructions as listed in this manual.
- Sort the parts and check against the list of contents.
- For safety purposes we strongly recommend that the product will be assembled by at least two people.
- Some parts have metal edges. Please be careful when handling components. Always wear gloves, shoes and safety goggles during assembly.
- Do not attempt to assemble the carport in windy or wet conditions.
- Dispose of all plastic bags safely – keep them out of reach of small children.
- Keep children away from the assembly area.
- Do not attempt to assemble the carport if you are tired, have taken drugs, medications or alcohol, or if you are prone to dizzy spells.
- When using a stepladder or power tools, ensure that you are follow the manufacturer's safety advice.
- Do not climb or stand on the roof.
- Heavy articles should not be leaned against the poles.
- Please consult your local authorities if any permits are required to erect carport.
- This product is specifically designed with a minor slope of the roof in order to allow drainage of water flow. Please keep roof and gutters clean of snow, dirt & leaves.
- Heavy amounts of snow on roof can damage the carport making it unsafe to stand below or nearby.
- This product was designed and produced to be a carport only.
- » Some parts of this carport are painted.

If color was scratched during assembly it can be fixed with the following tints:  
Gray – RAL 7012

» Cleaning instructions

When your carport needs cleaning, use a mild detergent solution and rinse with cold clean water.  
Do not use acetone, abrasive cleaners, or others special detergents to clean the panel.

» Before Starting Assembly

- This carport must be assembled on a solid base (such as concrete or asphalt).
- Choose your site carefully before beginning assembly. Site surface (mainly below poles) needs to be level.

» You will need

- T001 - (supplied)
- (these items not supplied)



» During Assembly

**i** When encountering the information icon, please refer to the relevant assembly step for additional comments and assistance.

**Step 5:** It is recommended to place a sheet / Carton below the parts to avoid scratches and peeling of paint.

**Step 5-6:** According to the desired drainage direction, please select the preferred side to place the shorter legs. Please verify both legs #8002 are mounting on the same side

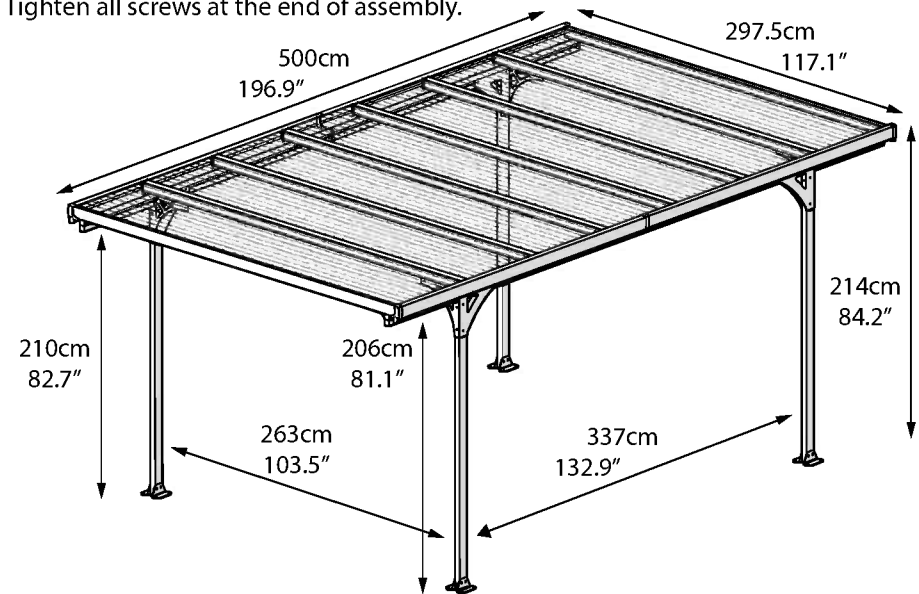
**Step 7:** At the end of all screws connection to parts, tighten all screws (including screws from previous steps)

**Step 13:** Place part 7580 underneath each and every panel to support the edge of the panels.

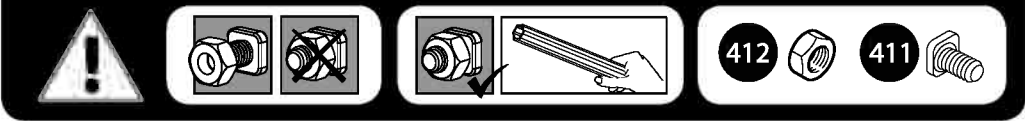
**Step 17:** Level the profiles legs to the flat surface, and then attach plugs and screws to the ground.

» General:

- Tighten all screws at the end of assembly.

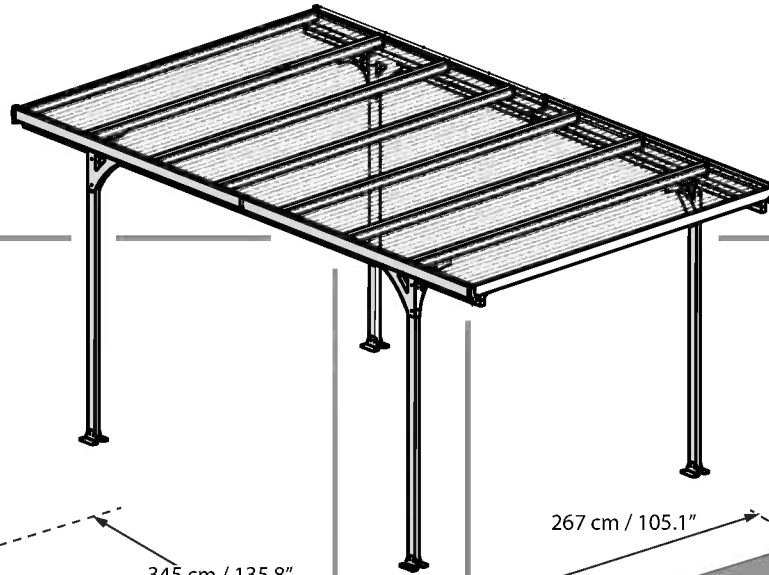


Do not tighten screws and nuts (411 & 412) until completion of assembly process. These 2 icons indicate if screws' tightening is required or not.

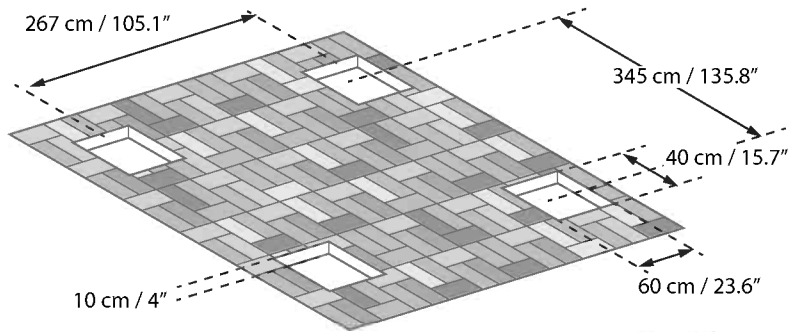




This carport should be assembled on a solid base (such as concrete). Without solid base, pre-foundation, that will include concrete and metal, is needed as in this drawing

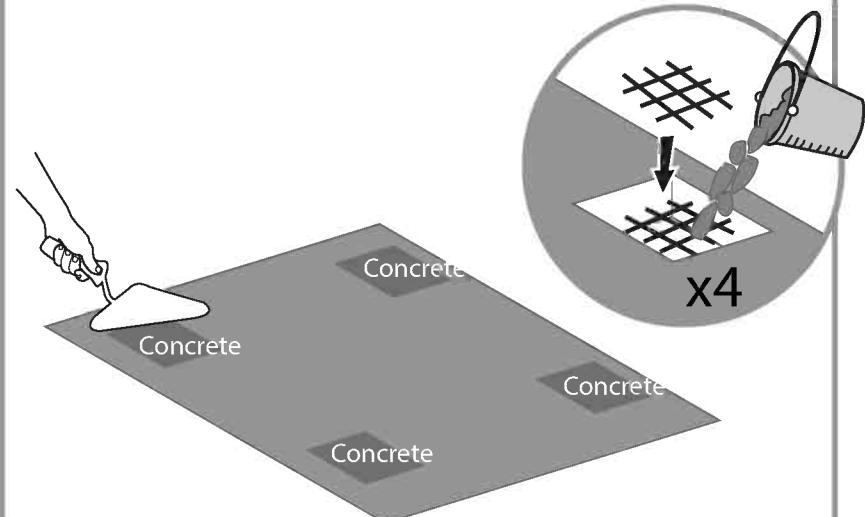
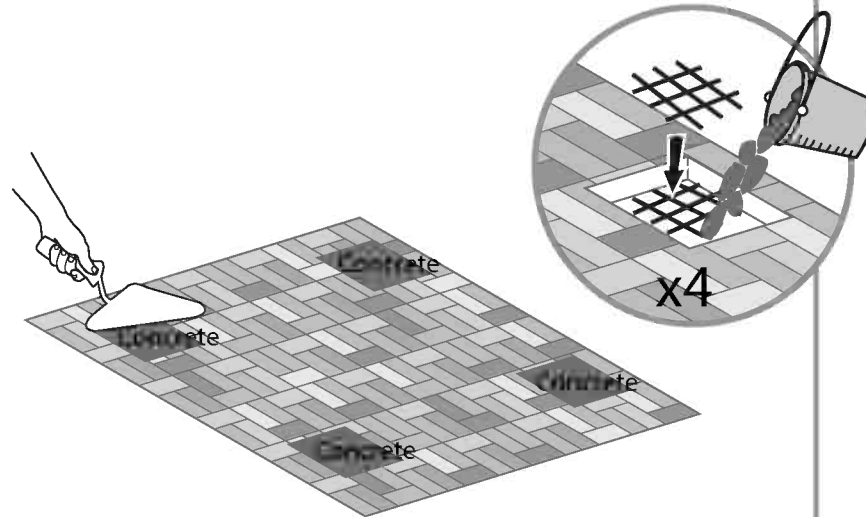
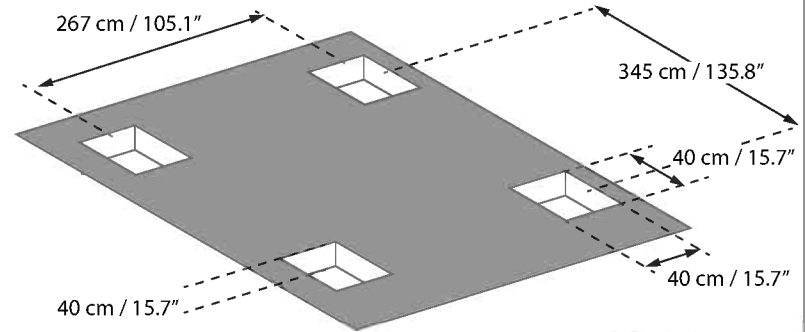


### Slabs and concrete pavers

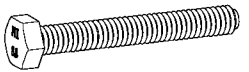
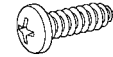

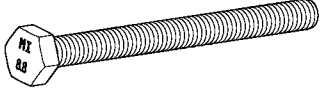
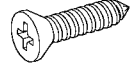
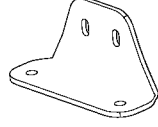
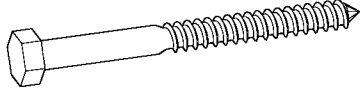
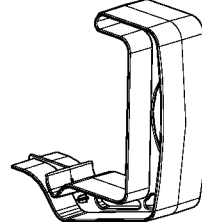
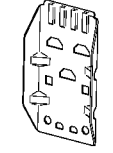

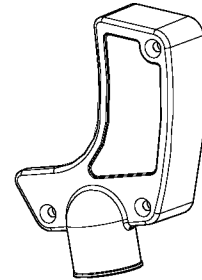
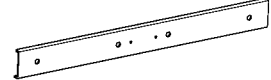
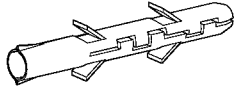
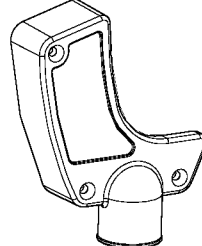
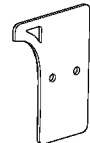
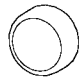
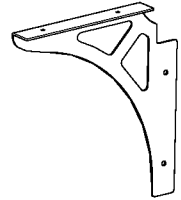
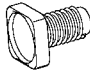
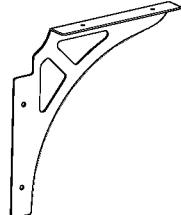

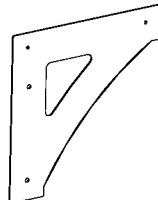
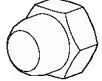



OR


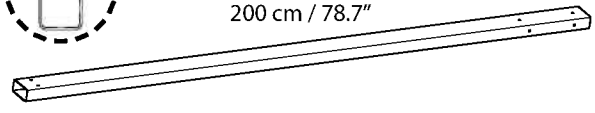
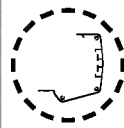
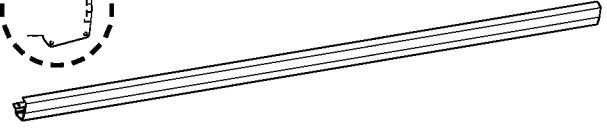
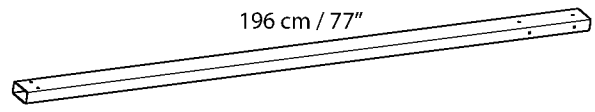
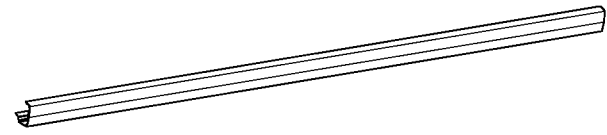






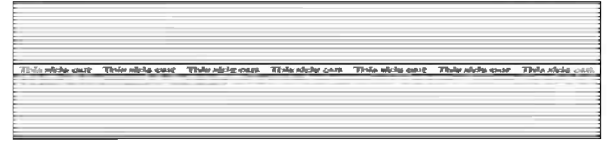
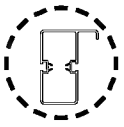


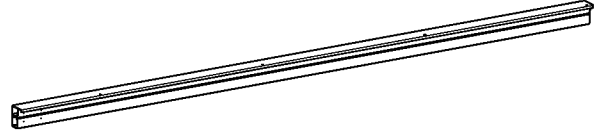
### Asphalte



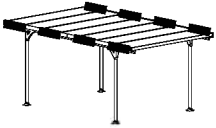
# Contents

Item		Qty.	Item		Qty.	Item		Qty.
4042		16 (+1)	447		40 (+5)	7580		14
7579		8 (+1)	8708		20 (+2)	212		8
4000		16 (+1)	7029		2	7038		12
433		64 (+3)	7028		2	7039		2
4010		16 (+1)	7027		2	7655		4
5000		40 (+2)				7653		2
411		76 (+4)				7654		2
466		52 (+3)				7575		8
414		24 (+1)						
413		24 (+1)						

# Contents

Item		Qty.	Item		Qty.
7568	  <p>200 cm / 78.7"</p>	2	7651	 	2
8002	 <p>196 cm / 77"</p>	2	7652		2
7987	 	6	7506	 	2
7988	 	2	7990		7
7649	 	2	T001		1
7650		2			

1



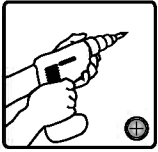
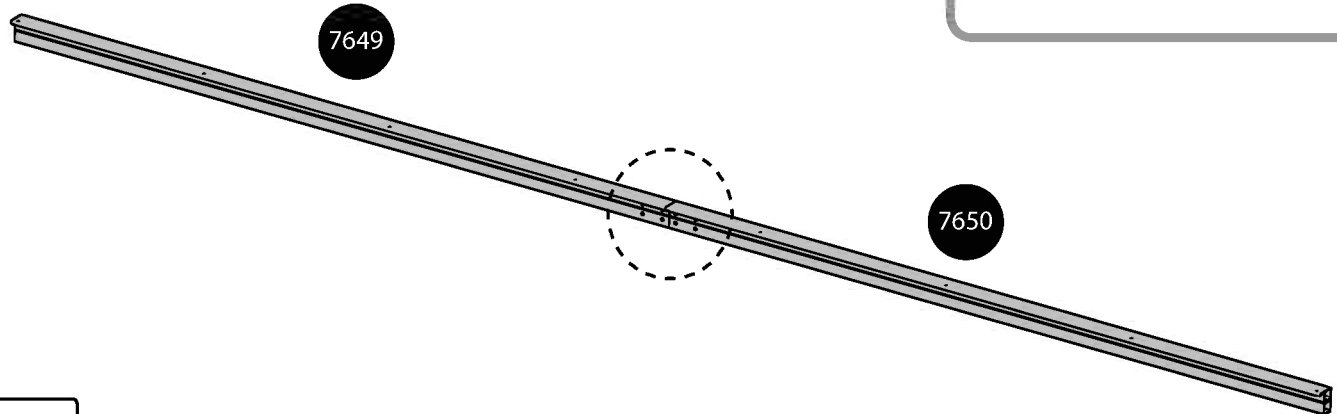
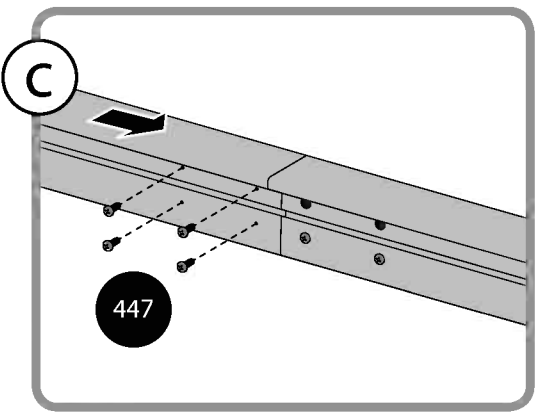
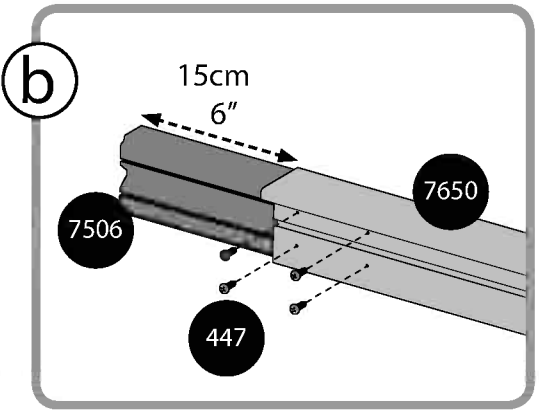
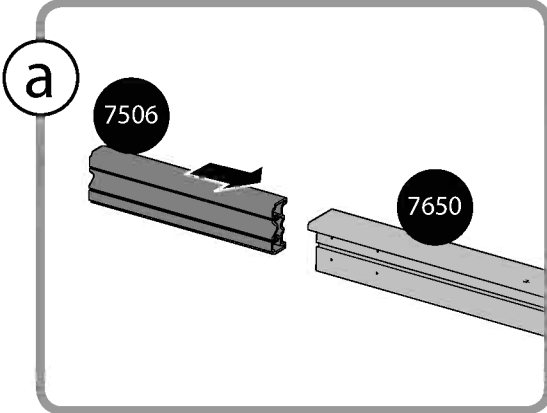
7649 ..... 2

7650 ..... 2

7506 ..... 2

447 ..... 16

x2



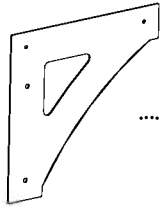
2



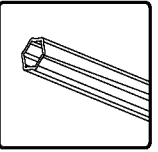
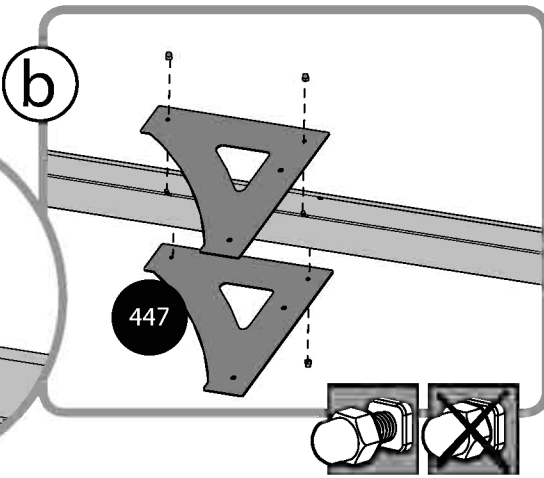
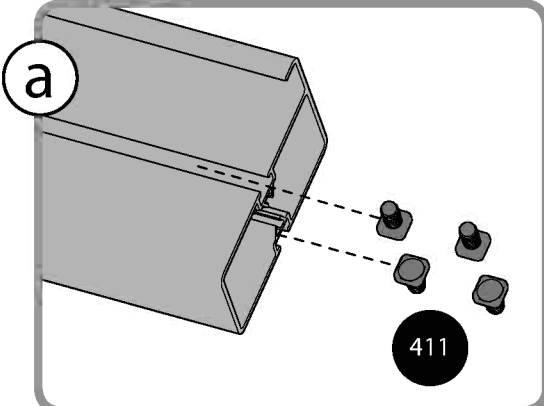
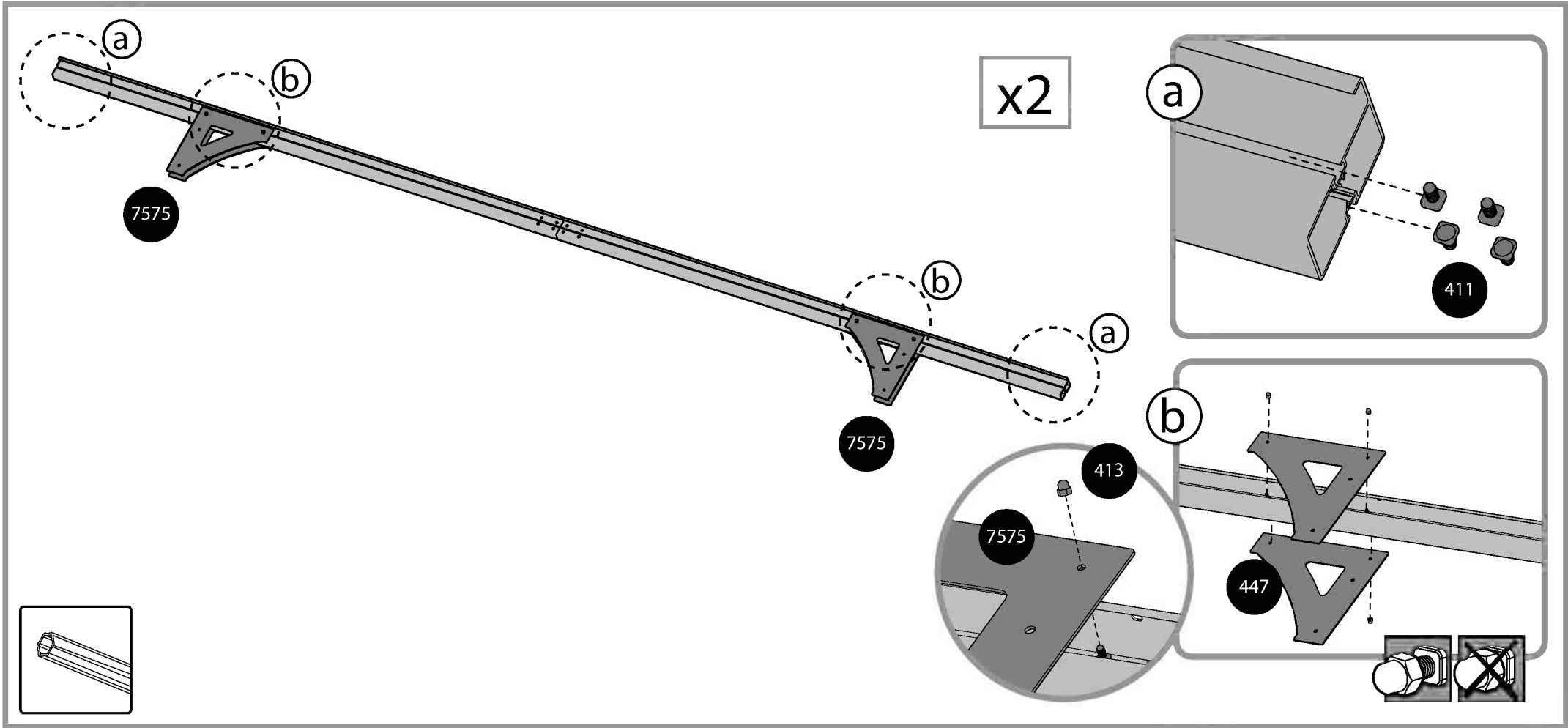
411 ..... 16

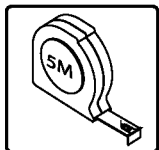
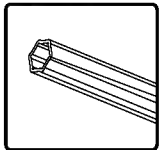
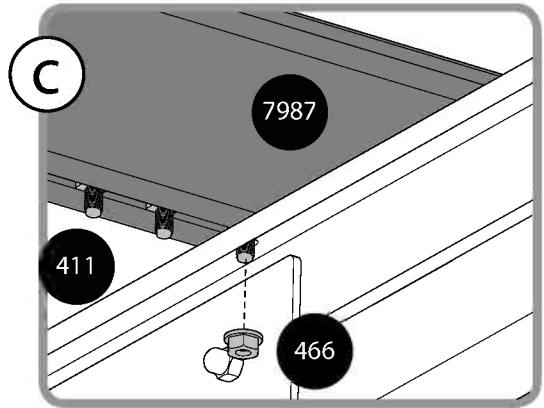
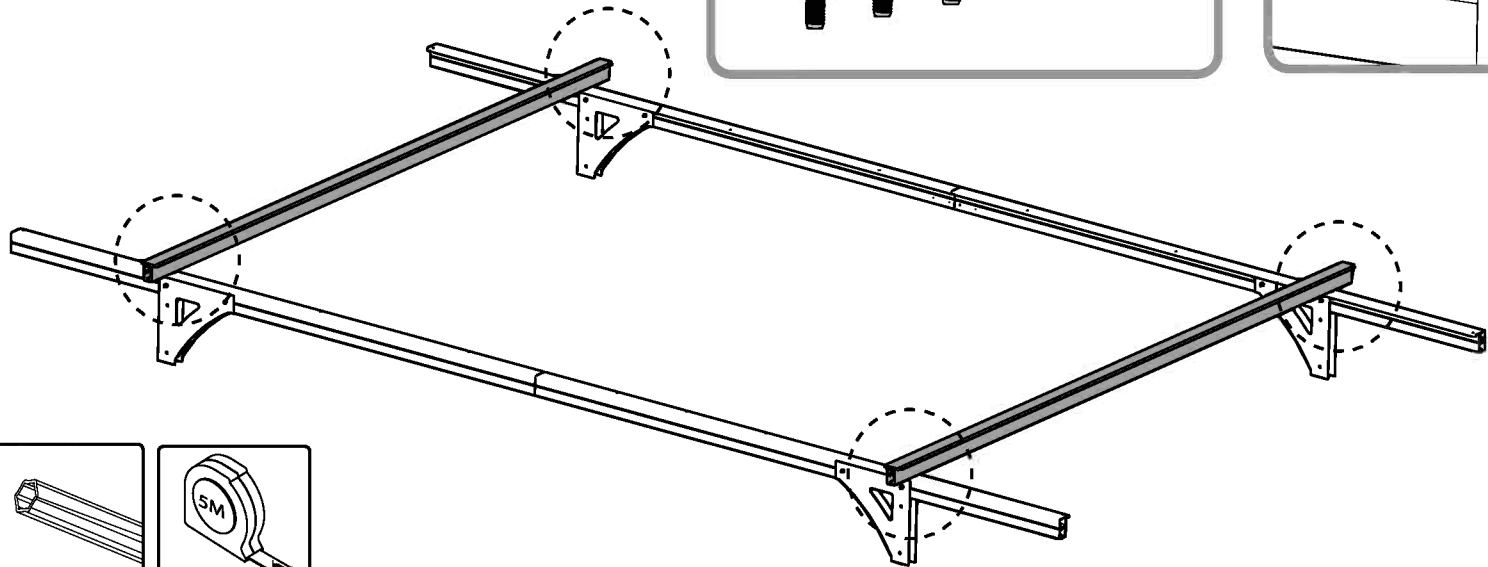
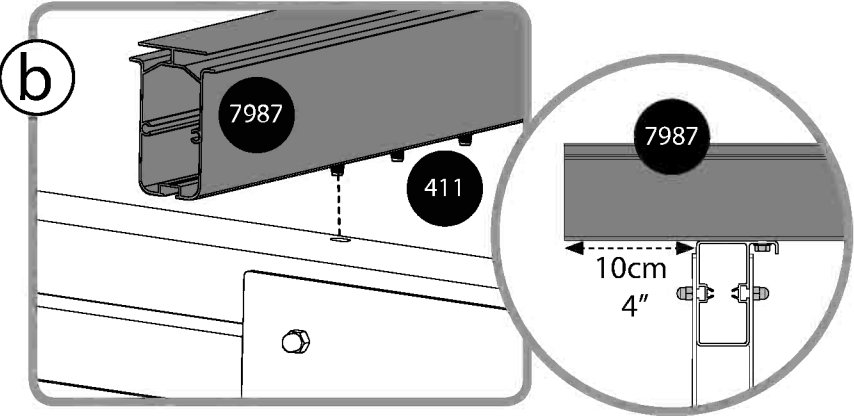
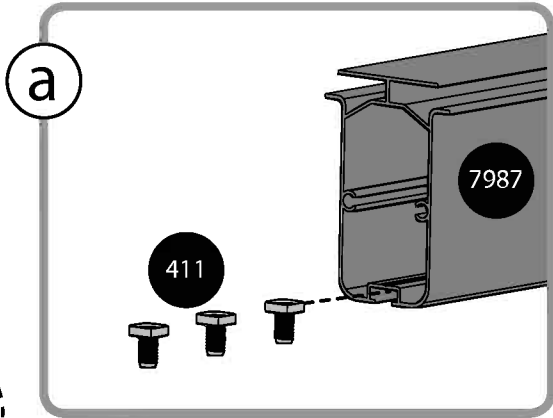
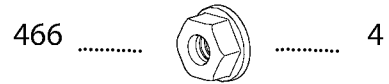
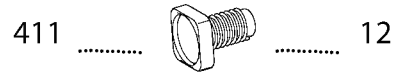


7575 ..... 8



413 ..... 16

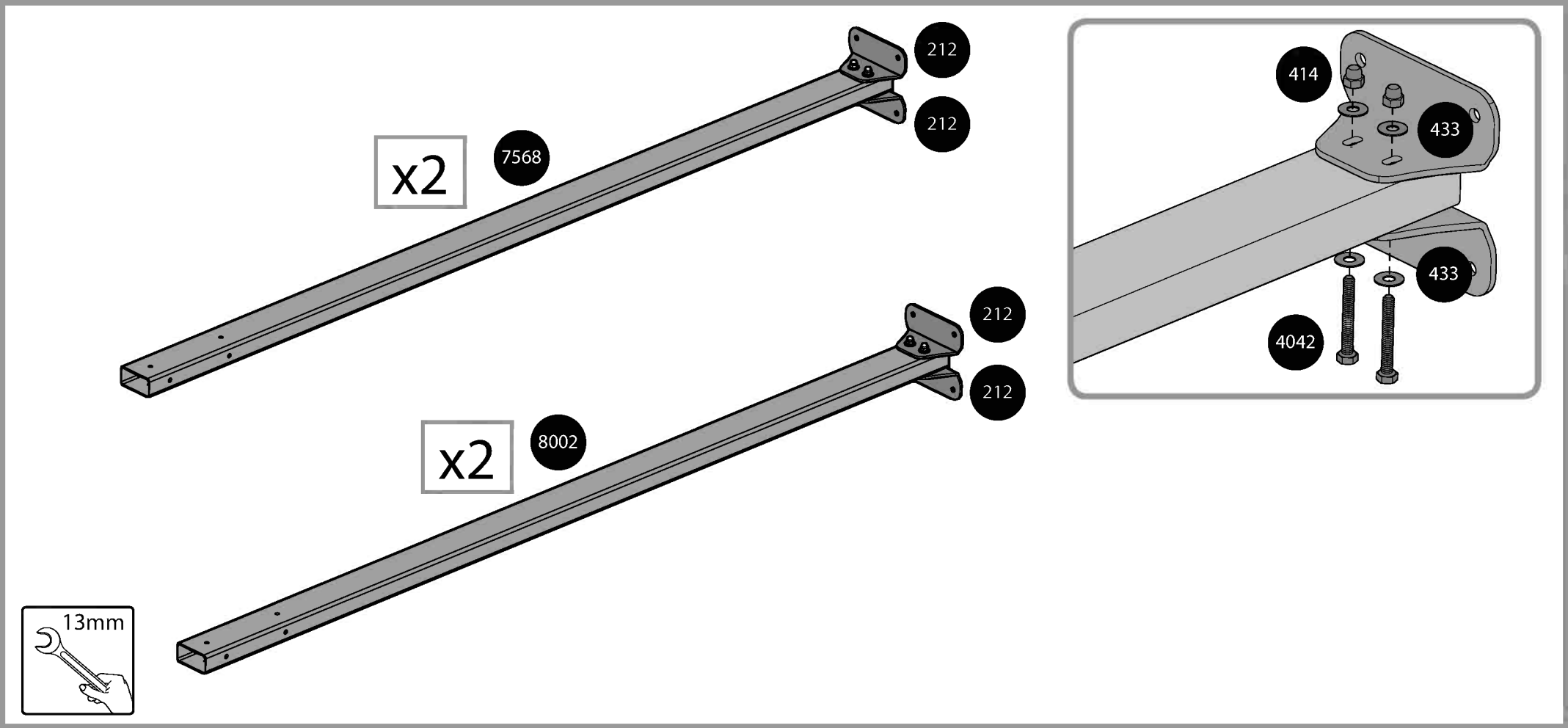




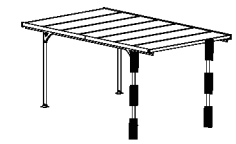


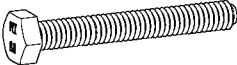


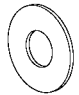
- |      |       |  |       |   |      |       |  |       |   |     |       |  |       |    |
|------|-------|--|-------|---|------|-------|--|-------|---|-----|-------|--|-------|----|
| 7568 | ..... |  | ..... | 2 | 4042 | ..... |  | ..... | 8 | 433 | ..... |  | ..... | 16 |
| 8002 | ..... |  | ..... | 2 | 212  | ..... |  | ..... | 8 | 414 | ..... |  | ..... | 8  |

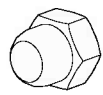


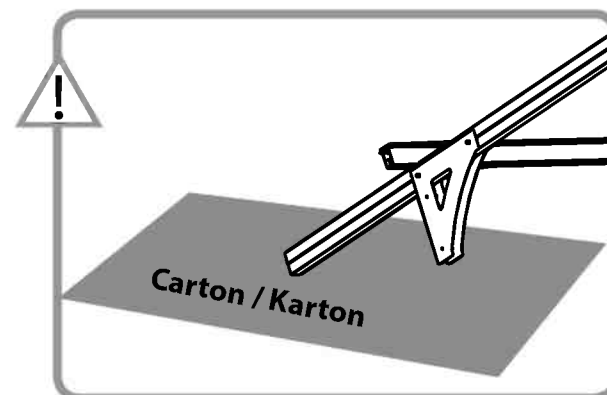
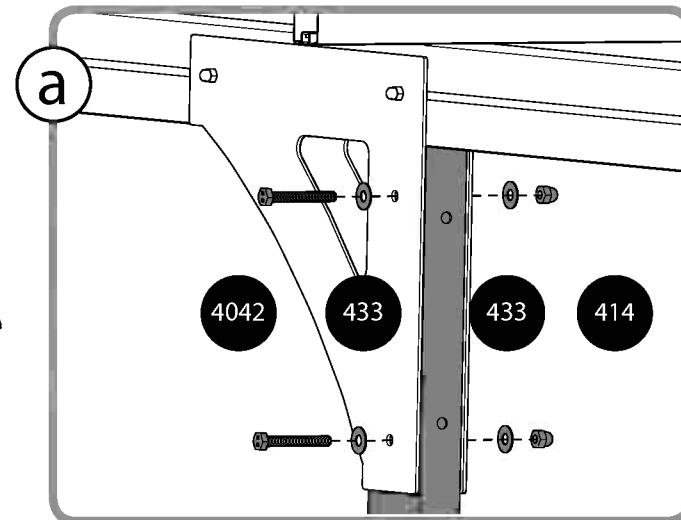
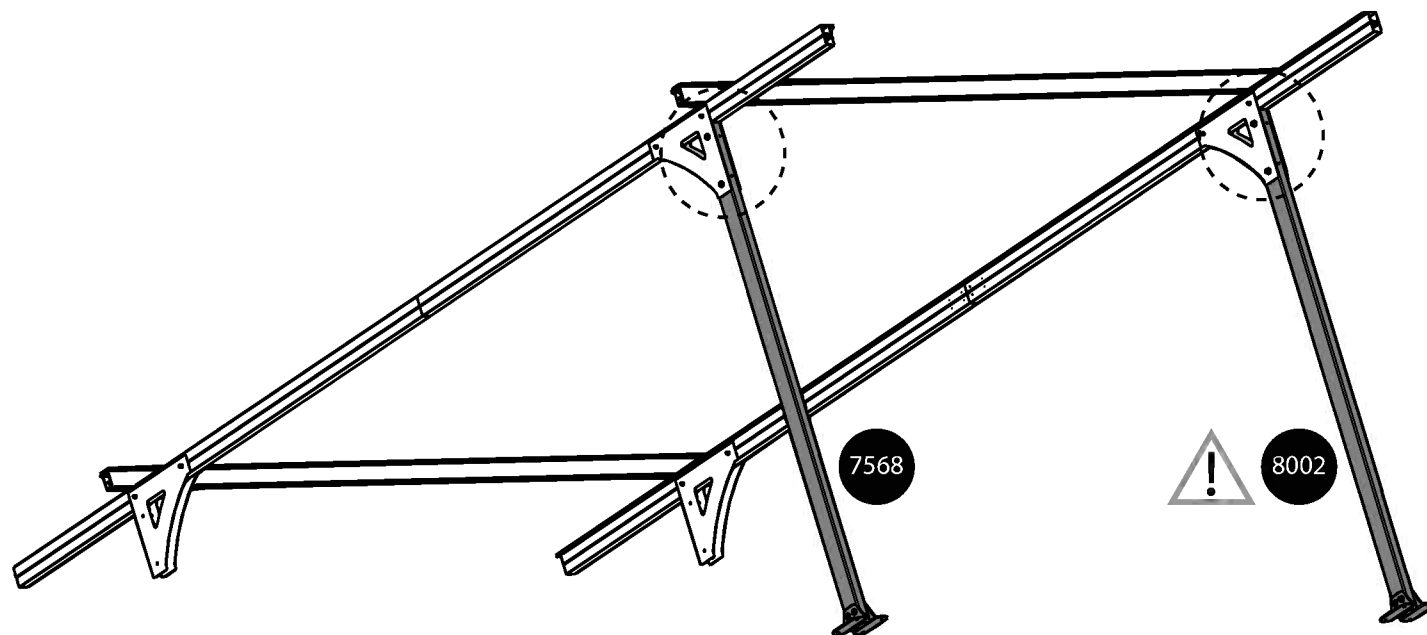
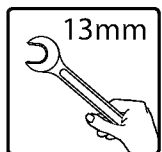
**5** **i**



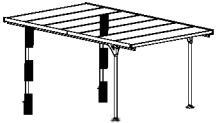
4042 .....  ..... 4

433 .....  ..... 8

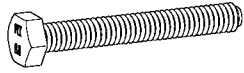
414 .....  ..... 4



6



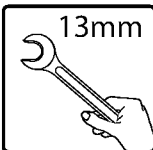
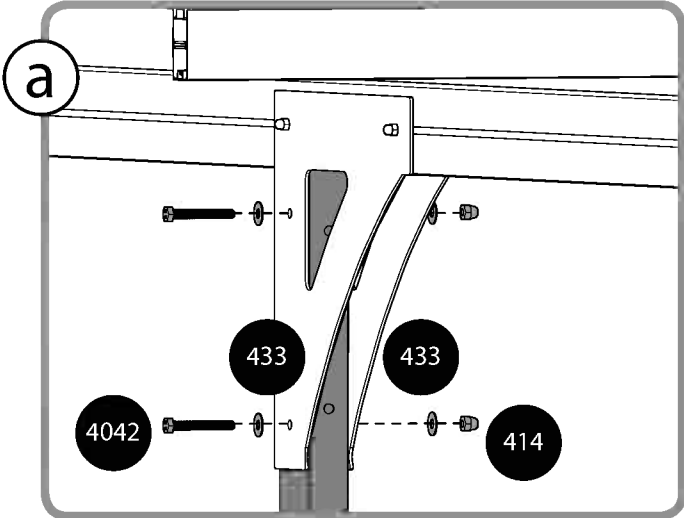
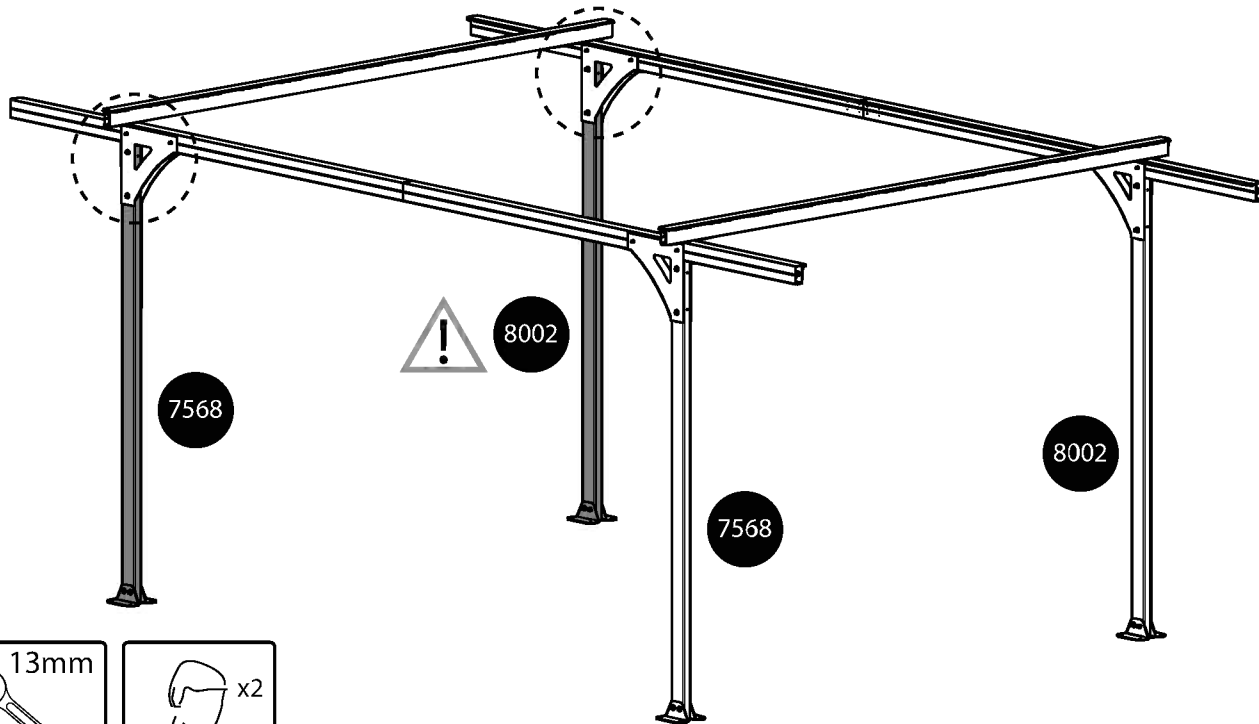
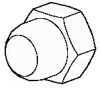
4042 ..... 4



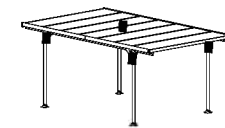
433 ..... 8

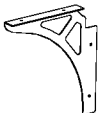



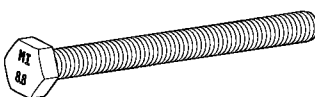
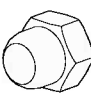
414 ..... 4





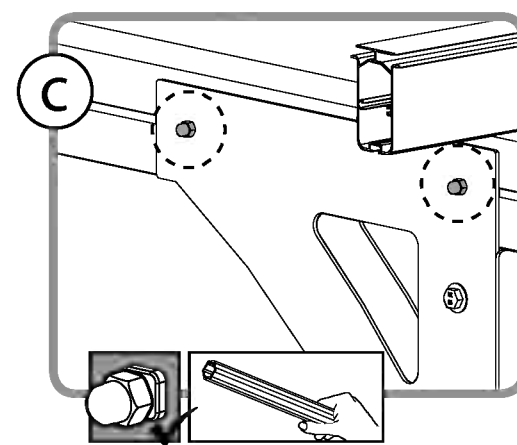
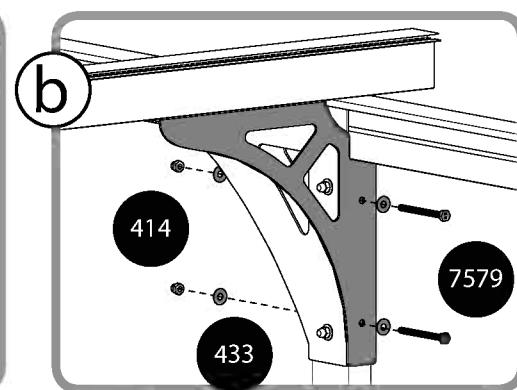
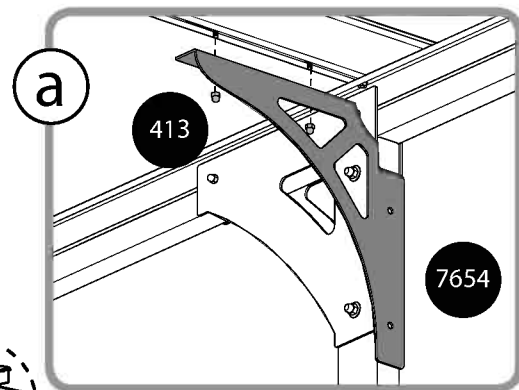
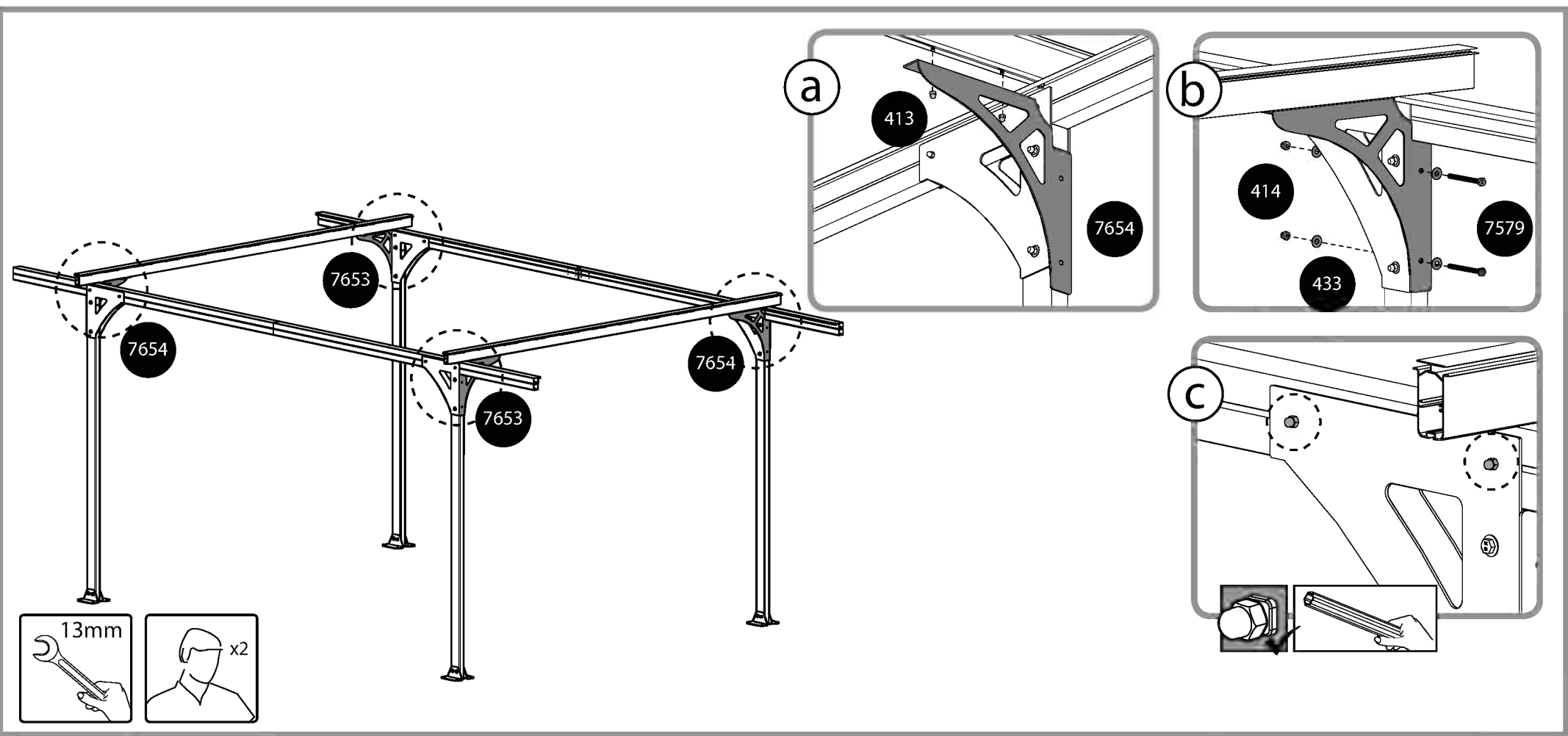
**7** **i**




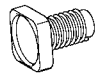


- 7653 .....  ..... 2
- 7654 .....  ..... 2

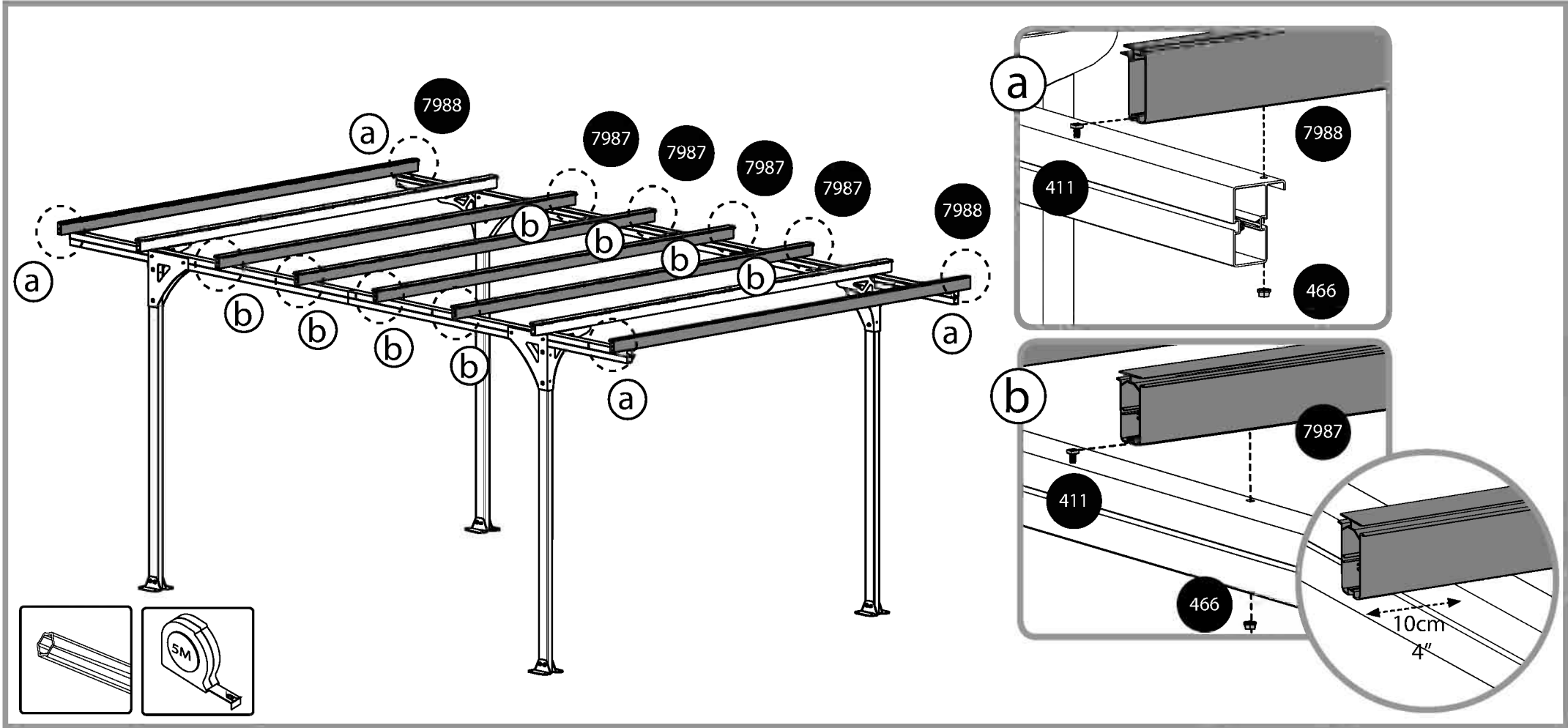
- 7579 .....  ..... 8
- 414 .....  ..... 8

- 433 .....  ..... 16
- 413 .....  ..... 8





7987		4	411		12
7988		2	466		12



**a**

**b**

7987

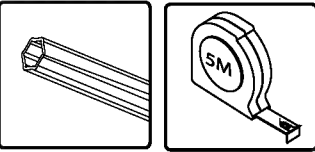
7988

411

466

10cm

4"

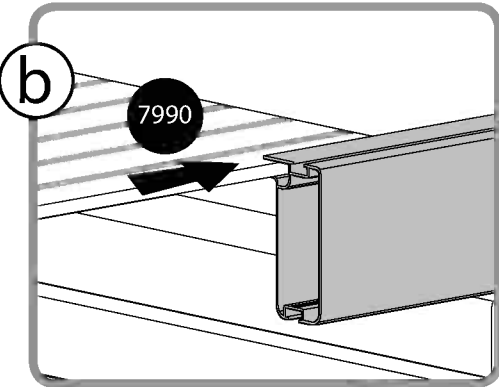
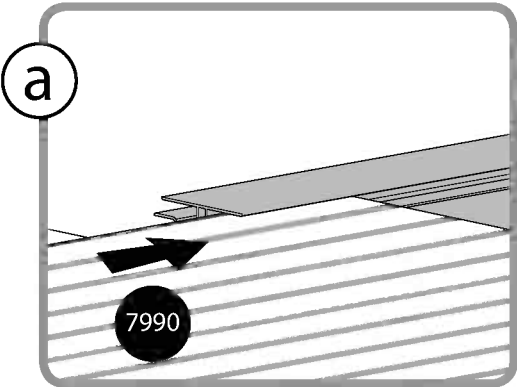
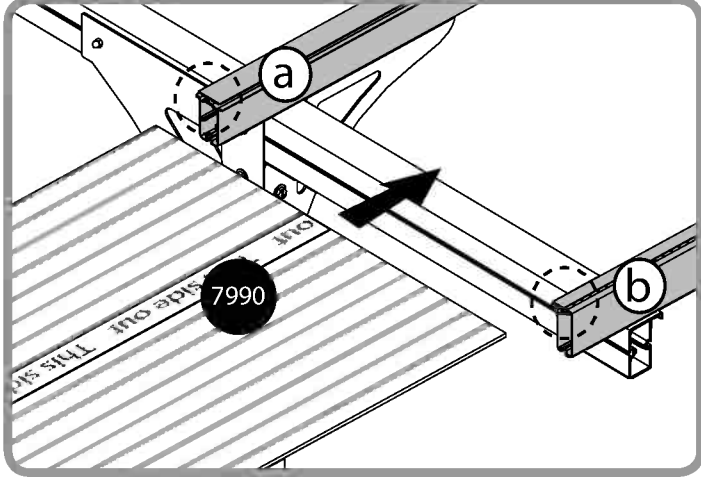
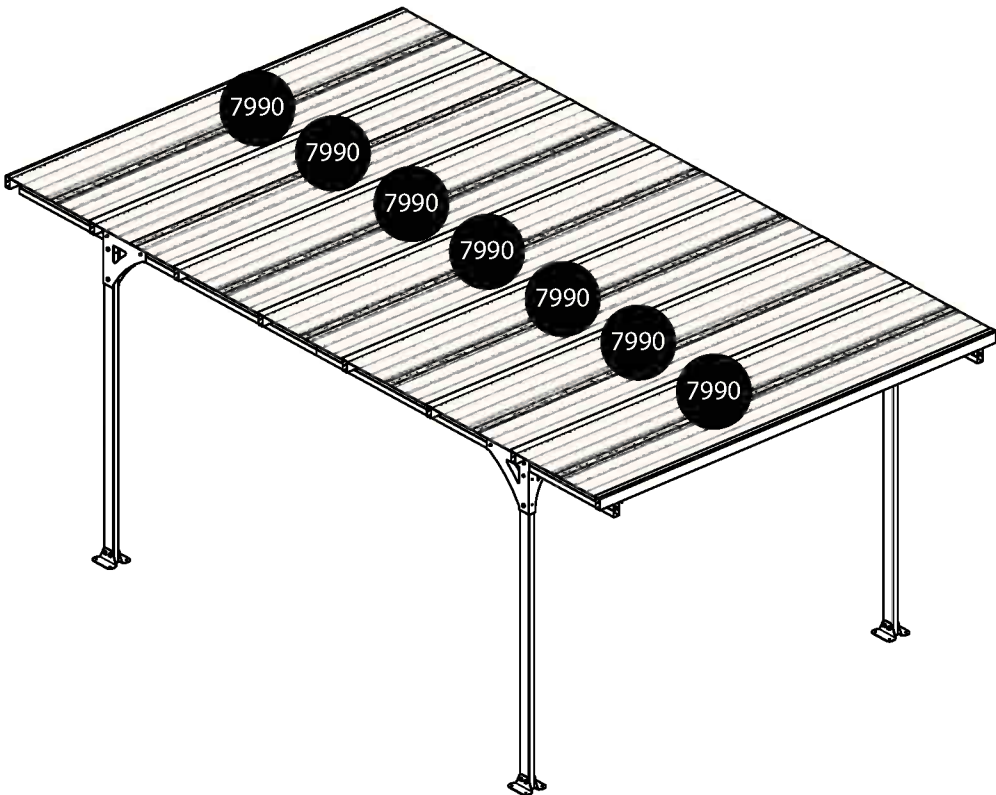


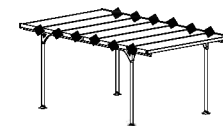


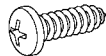
7990 .....

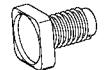


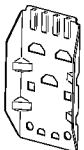
..... 7

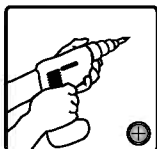
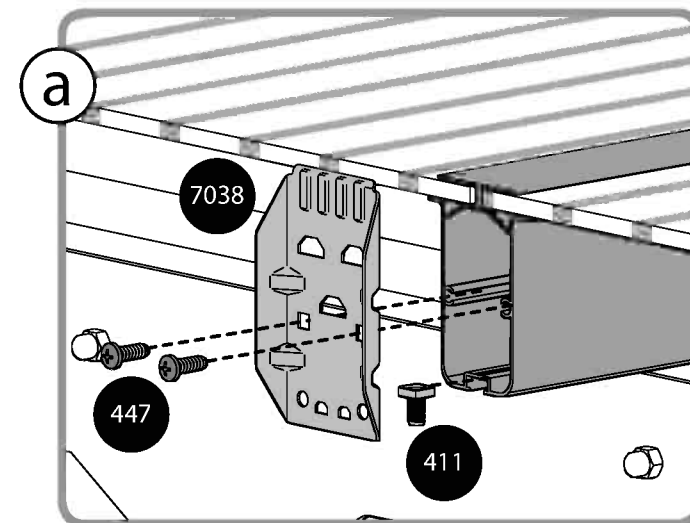
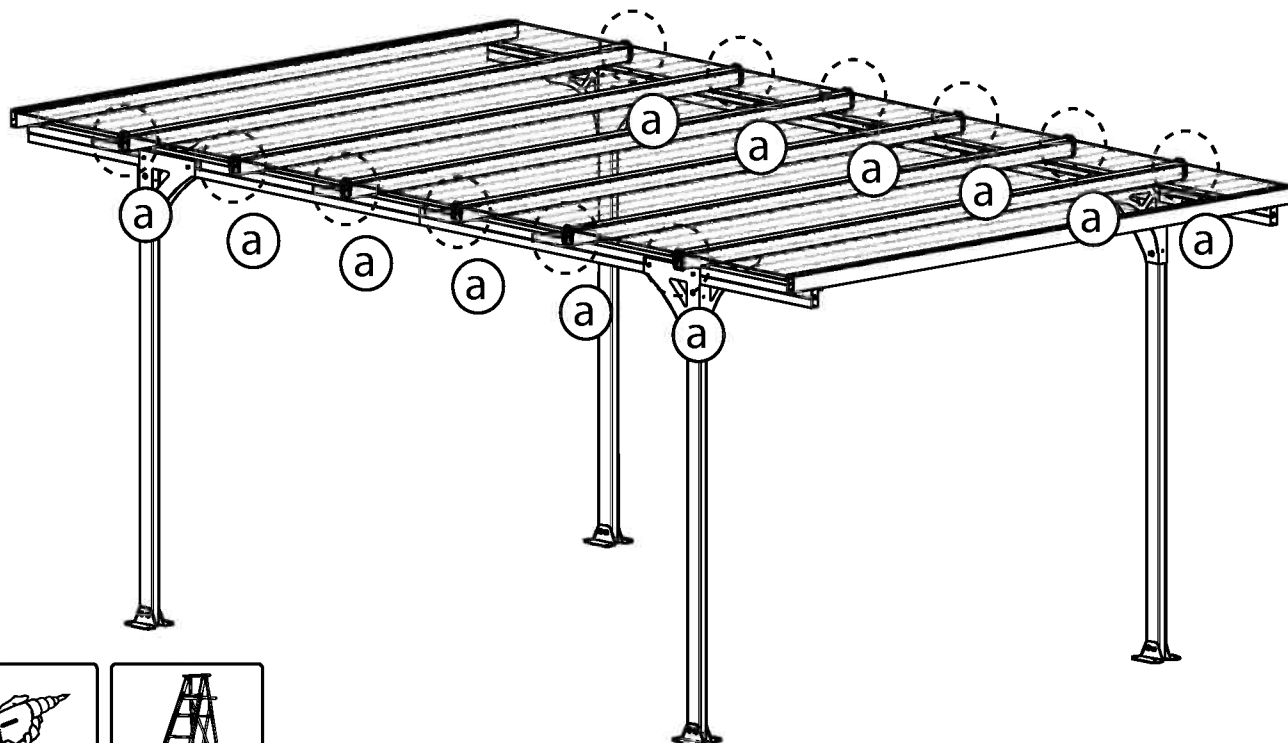


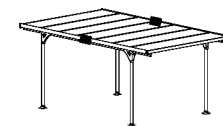


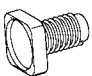
447 .....  ..... 24

411 .....  ..... 12

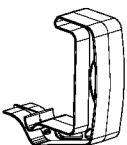
7038 .....  ..... 12




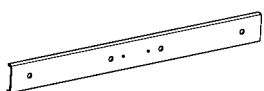


411 .....  ..... 8

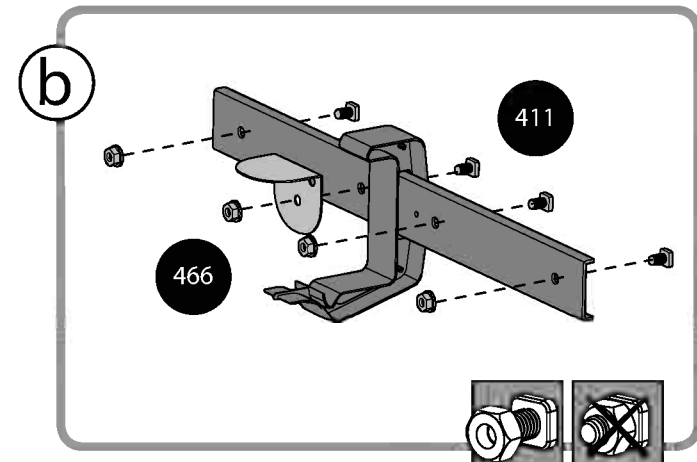
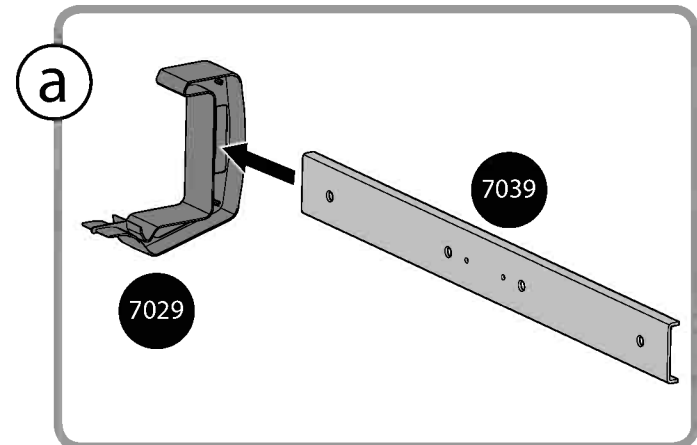
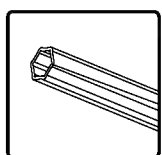
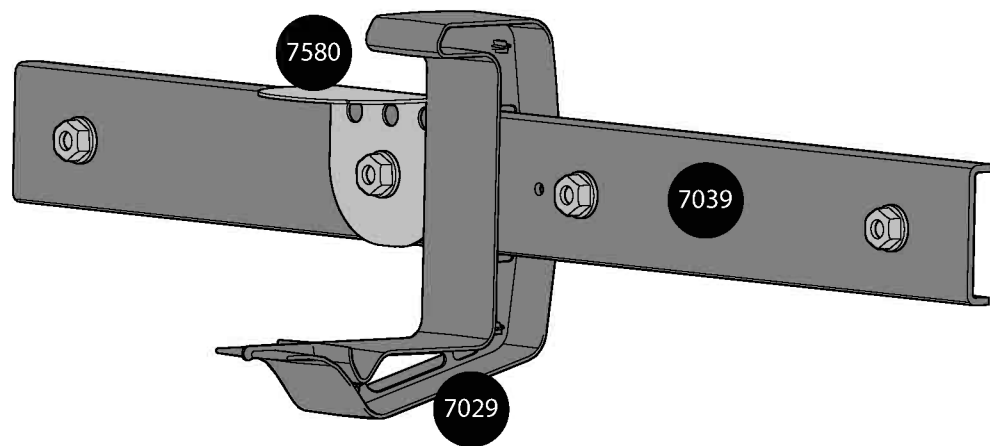
466 .....  ..... 8

7029 .....  ..... 2

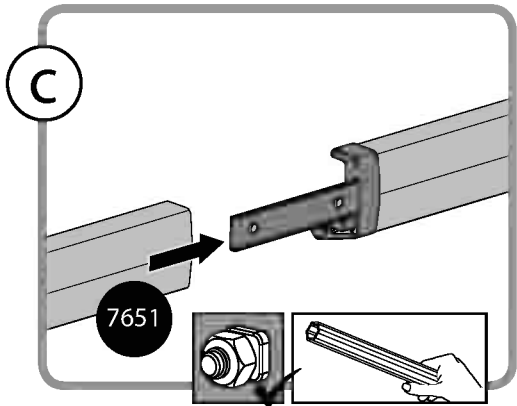
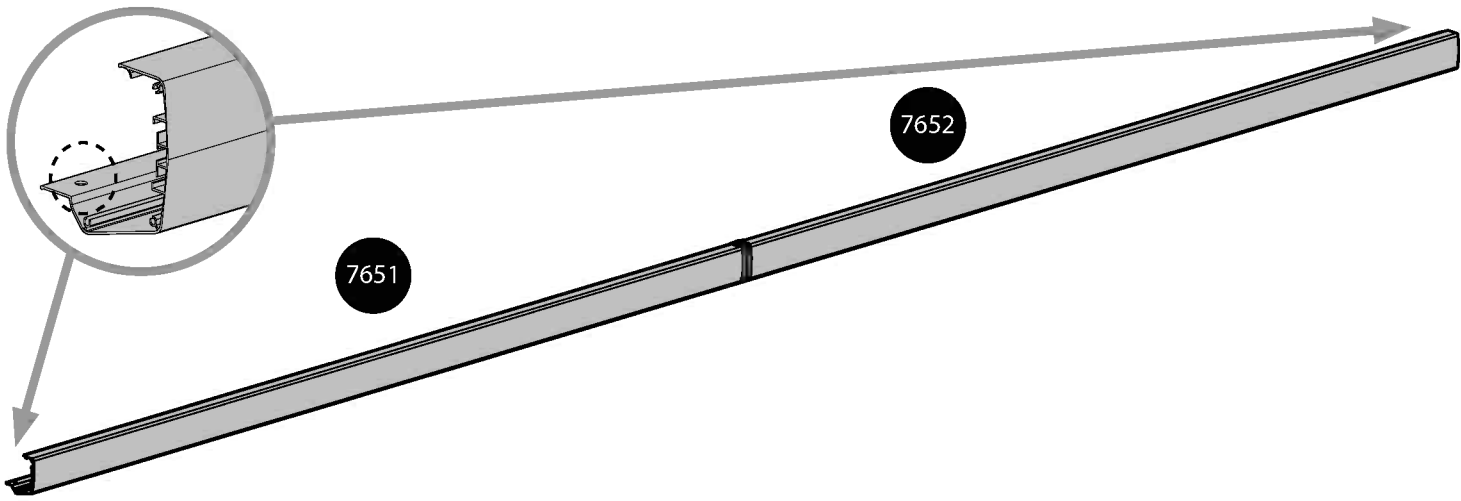
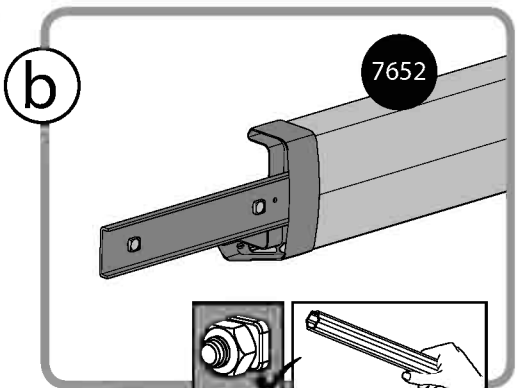
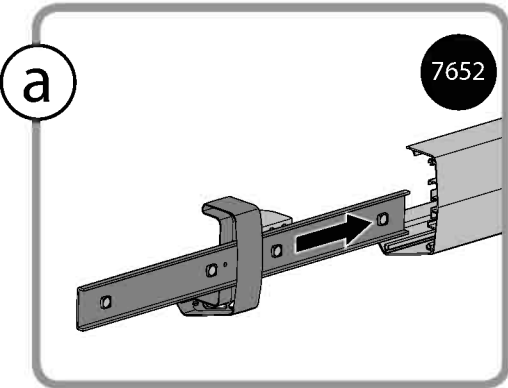
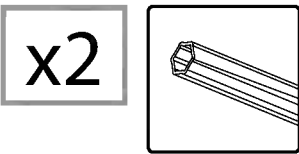
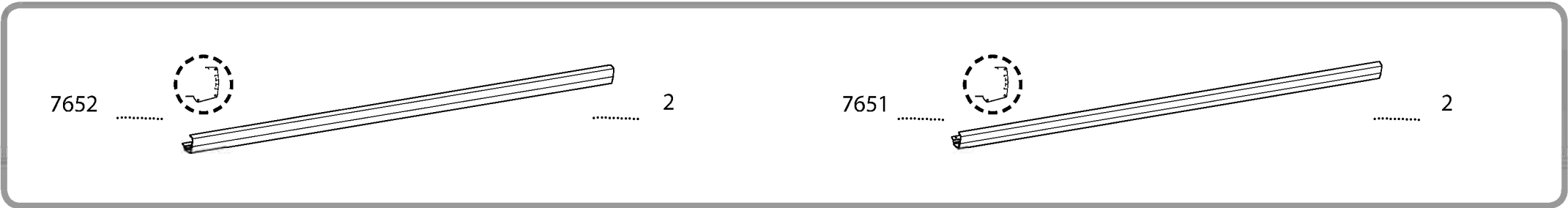
7580 .....  ..... 2

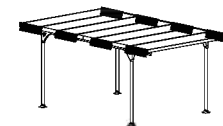
7039 .....  ..... 2

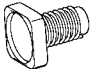
x2









411 .....  ..... 12

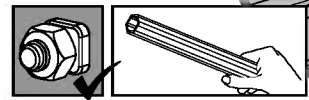
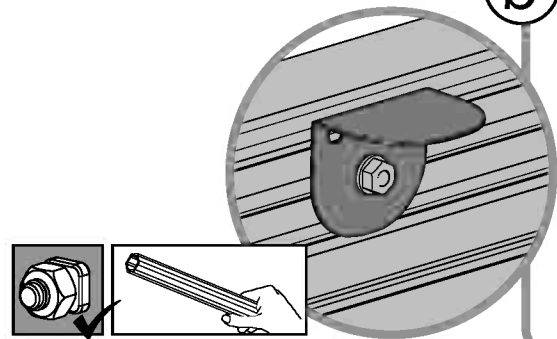
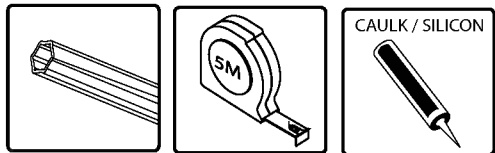
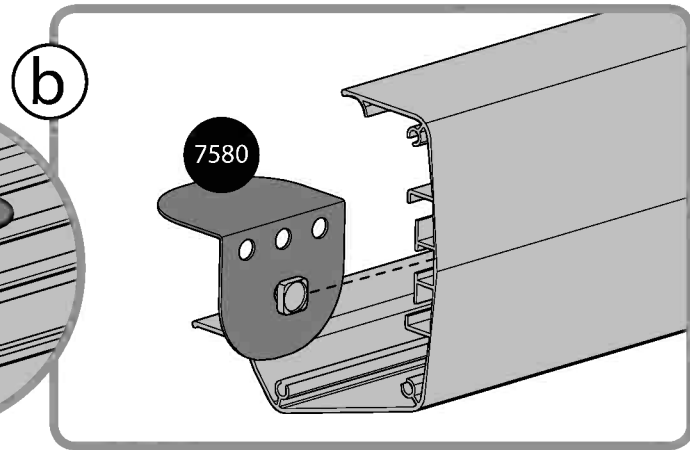
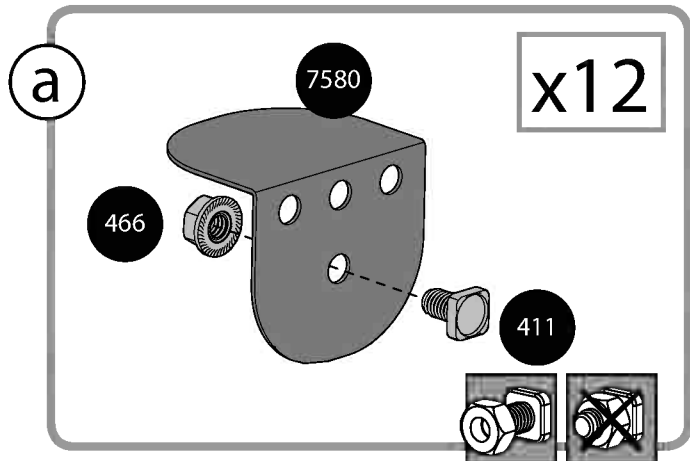
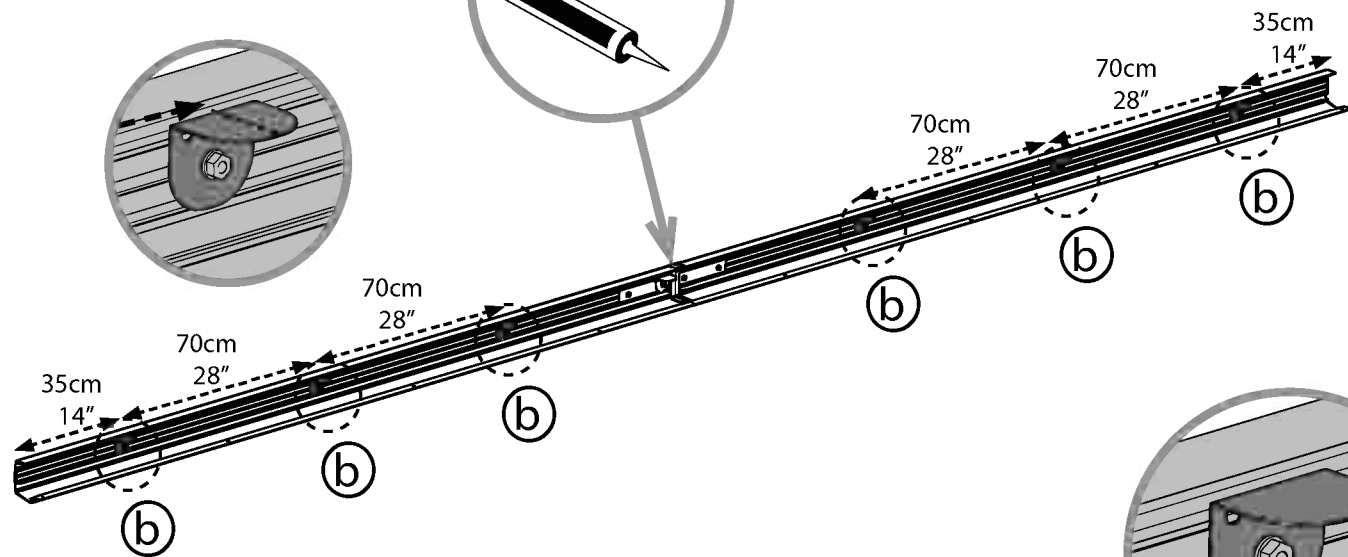
7580 .....  ..... 12

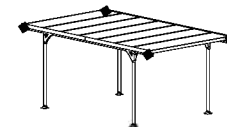
466 .....  ..... 12

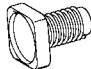
x2

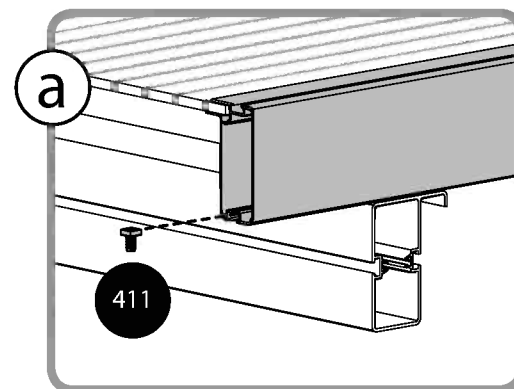
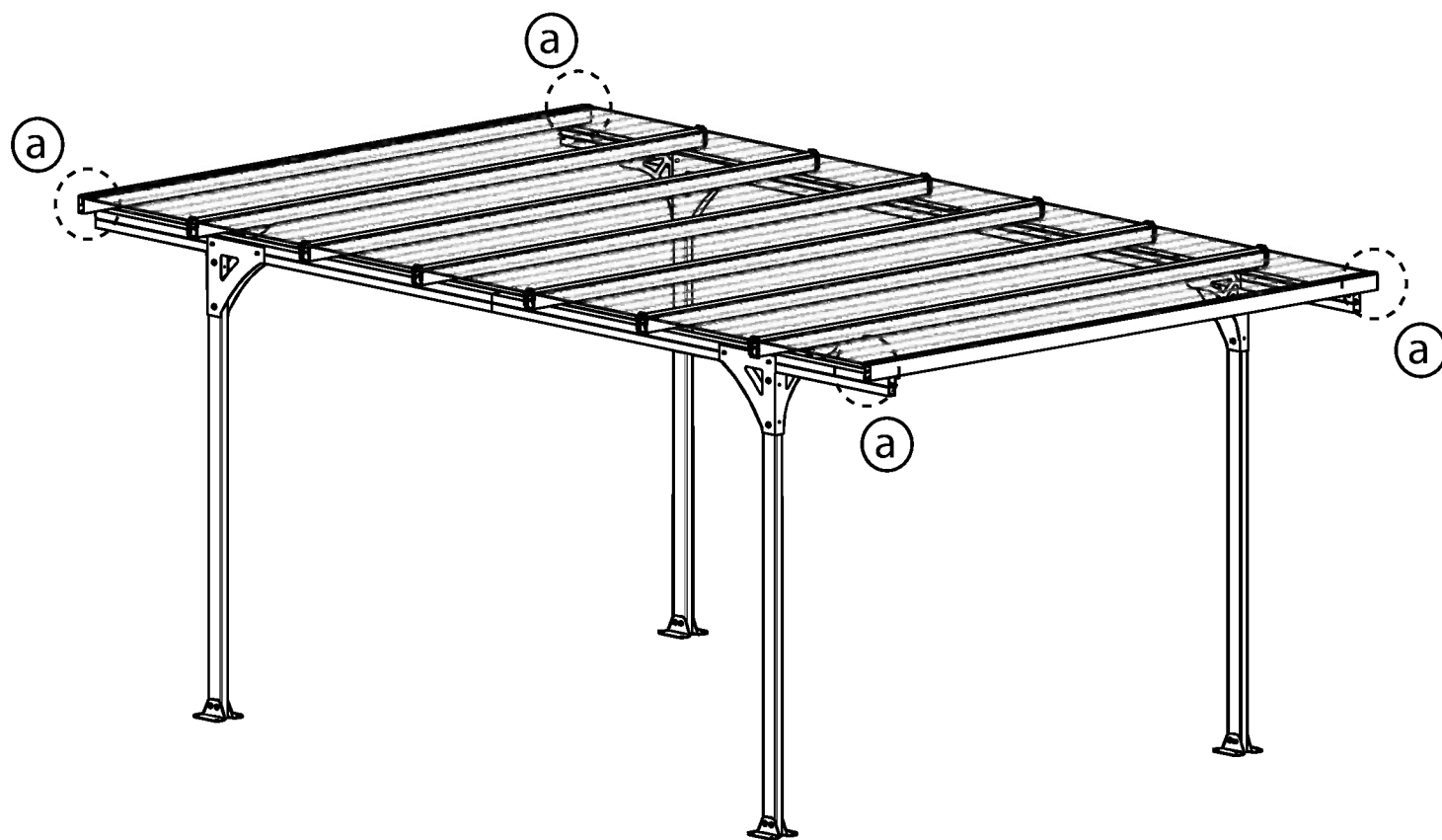


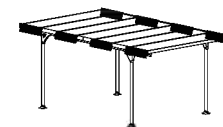
CAULK / SILICON



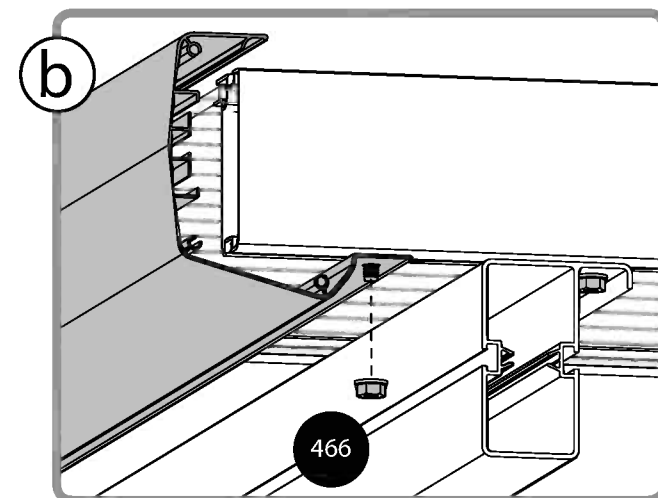
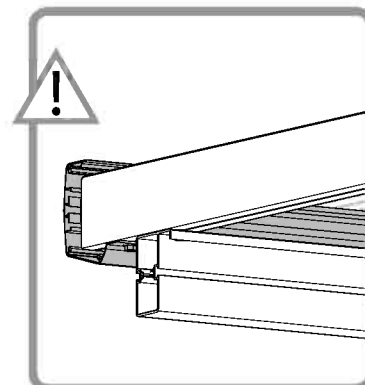
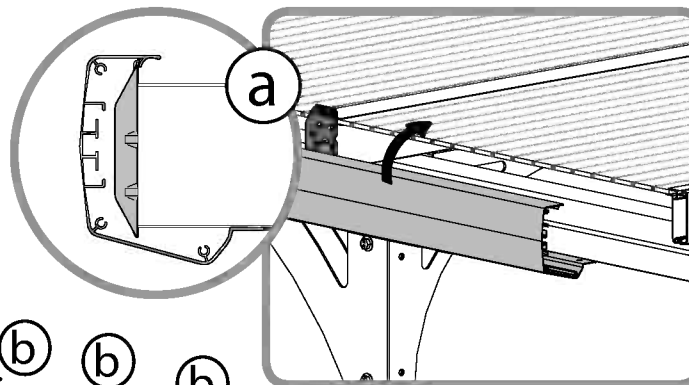
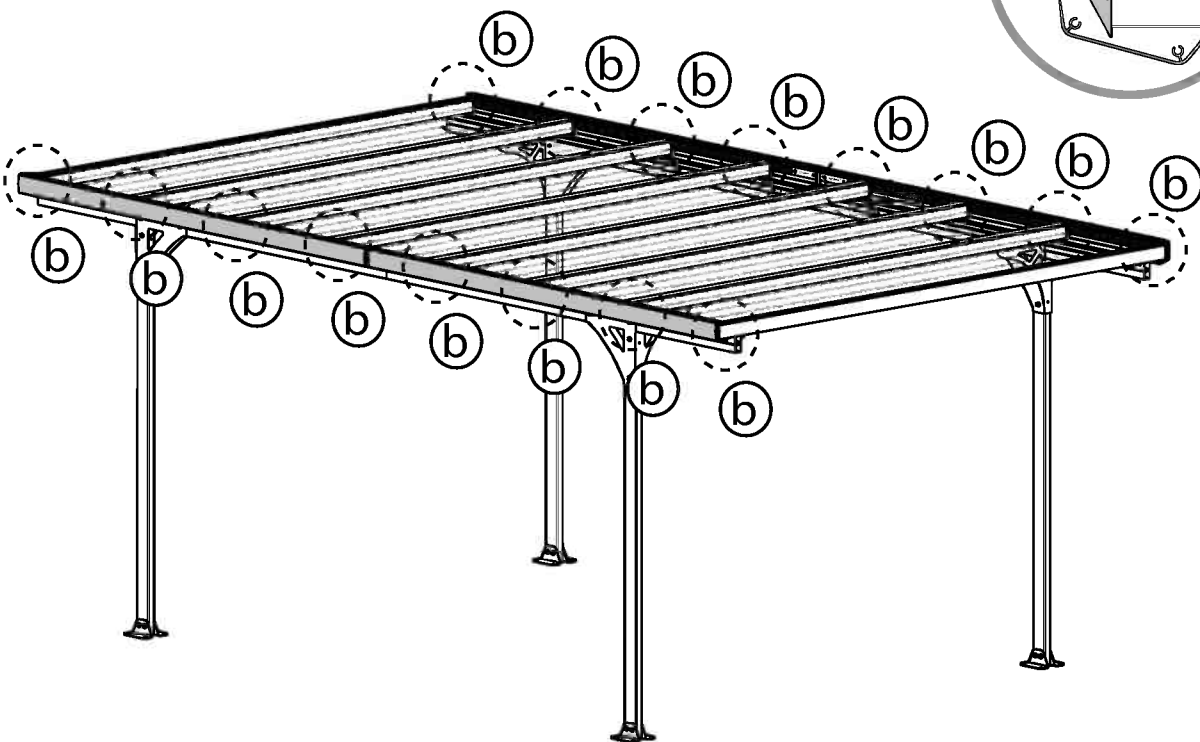
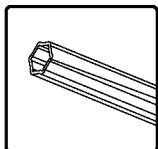


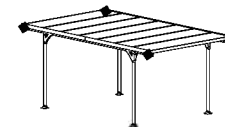
411 .....  ..... 4

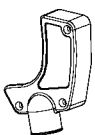
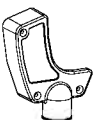


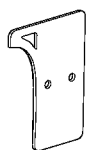


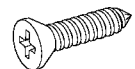
466 .....  ..... 16

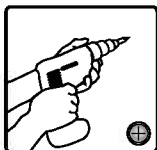
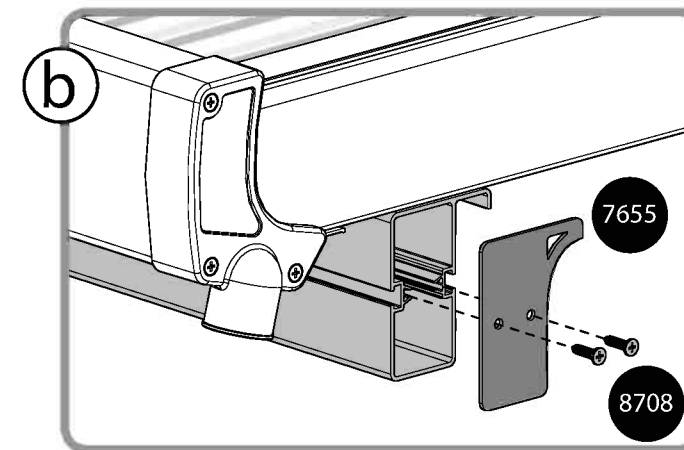
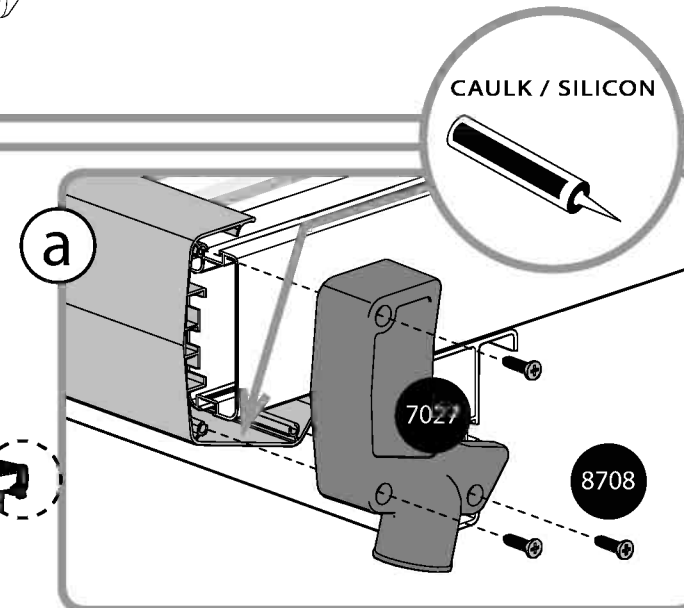
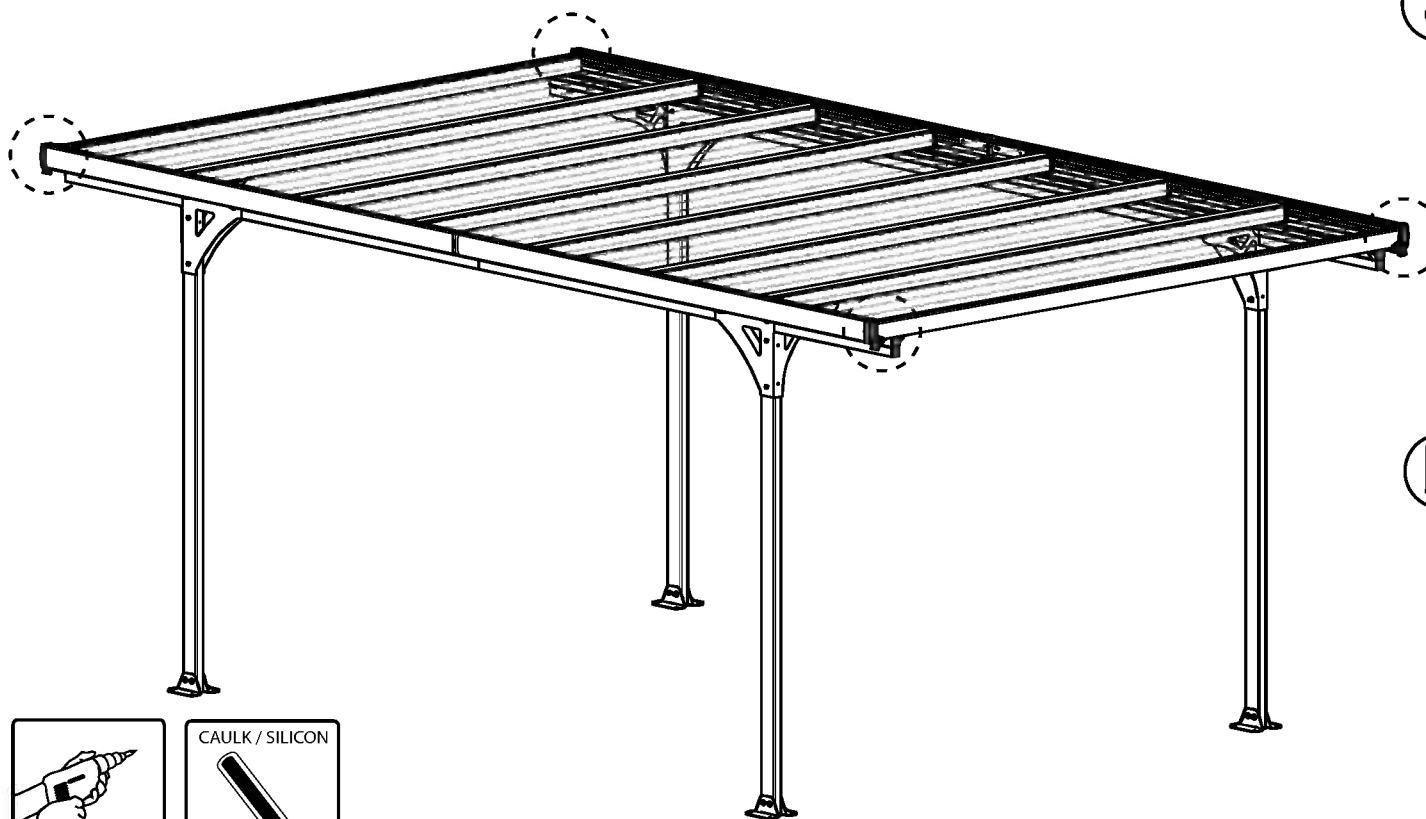




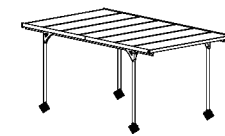
- 7028 .....  ..... 2
- 7027 .....  ..... 2

- 7655 .....  ..... 4

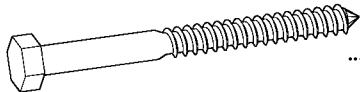
- 8708 .....  ..... 20



**17** **i**



4000 ..... 16



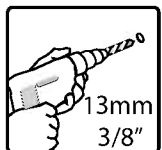
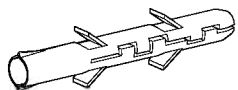
433 ..... 16



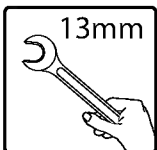
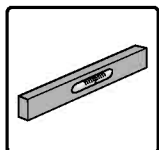
5000 ..... 16



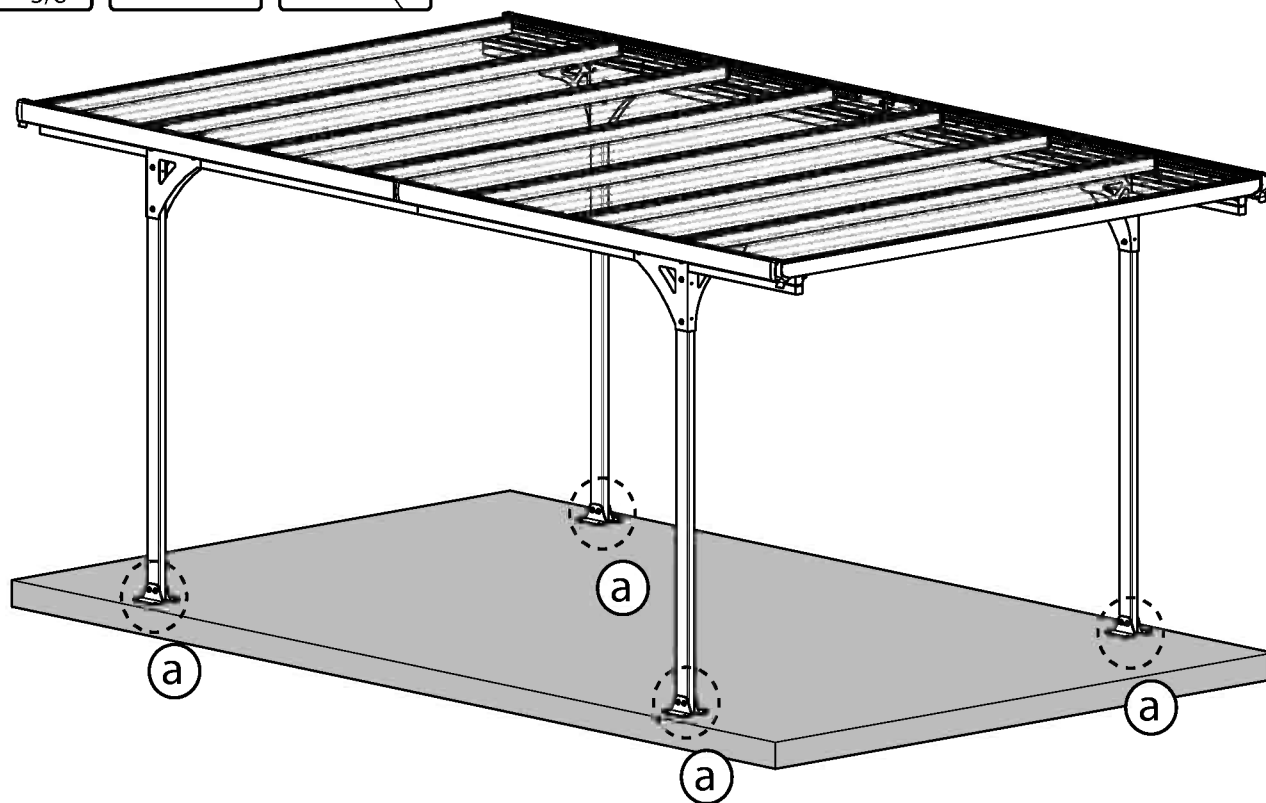
4010 ..... 16



13mm  
3/8"

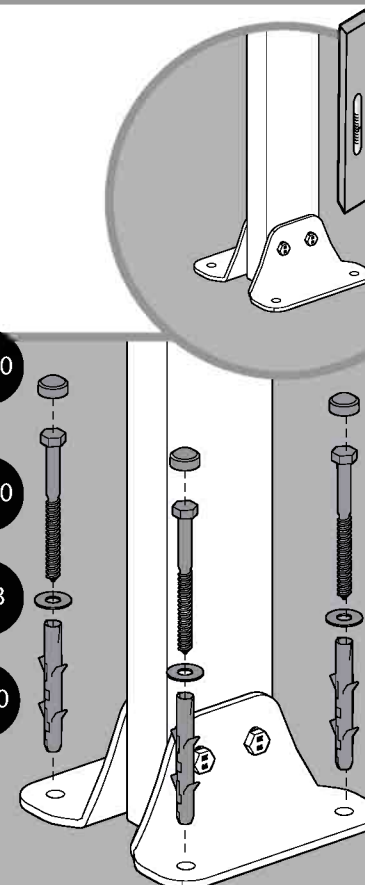


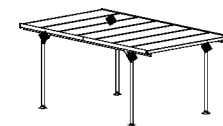
13mm

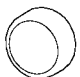


**a**

- 5000
- 4000
- 433
- 4010





5000 .....  ..... 40

