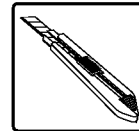
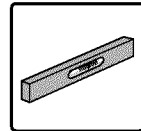
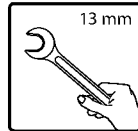
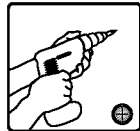
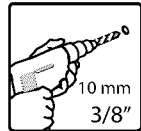


## Assembly Instructions

### Vitoria™ 5000 - Carport

Approx. Dim.

499 L x 290 W x 240 H cm / 196.4" L x 114.1" W x 94.5" H



### After Sale Service

Email: [customer.service@palram.com](mailto:customer.service@palram.com)

USA 877-627-8476  
Canada 1 800-866-5749

England 01302-380775  
Germany 0180-522-8778

France 0169-791-094  
International +972 4-848-6942

[www.palramapplications.com](http://www.palramapplications.com)

**IMPORTANT**

Please read these instructions carefully before you start to assemble this greenhouse.  
Please carry out the steps in the order set out in these instructions.  
Keep these instructions in a safe place for future reference.

## » Care and Safety advice

- Please follow the instructions as listed in this manual.
- Sort the parts and check against the list of contents.
- For safety purposes we strongly recommend that the product will be assembled by at least two people.
- Some parts have metal edges. Please be careful when handling components. Always wear gloves, shoes and safety goggles during assembly.
- Do not attempt to assemble the carport in windy or wet conditions.
- Dispose of all plastic bags safely – keep them out of reach of small children.
- Keep children away from the assembly area.
- Do not attempt to assemble the carport if you are tired, have taken drugs, medications or alcohol, or if you are prone to dizzy spells.
- When using a stepladder or power tools, ensure that you are follow the manufacturer's safety advice.
- Do not climb or stand on the roof.
- Heavy articles should not be leaned against the poles.
- Please consult your local authorities if any permits are required to erect carport.
- Keep roof and gutters clean of snow, dirt & leaves.
- Heavy amounts of snow on roof can damage the carport making it unsafe to stand below or nearby.
- This product was designed and produced to be a carport only.

» Some versions of this carport are painted.

If color was scratched during assembly it can be fixed with the following tints:  
Gray – RAL 7012

## » Cleaning instructions

When your carport needs cleaning, use a mild detergent solution and rinse with cold clean water.  
Do not use acetone, abrasive cleaners, or others special detergents to clean the panel.

## » Before Starting Assembly

- This carport must be assembled on a solid base (such as concrete or asphalt).
- Choose your site carefully before beginning assembly. Site surface (mainly below poles) needs to be level.
- During assembly use a soft platform below the parts to avoid scratches and damages.

» T001



## » During Assembly



When encountering the information icon, please refer to the relevant assembly step for additional comments and assistance.

**Step 3:**

- It is recommended to place a sheet / Carton below the parts to avoid scratches and peeling of paint.
- Profile should be fixed in front of the second set of holes from the edge.

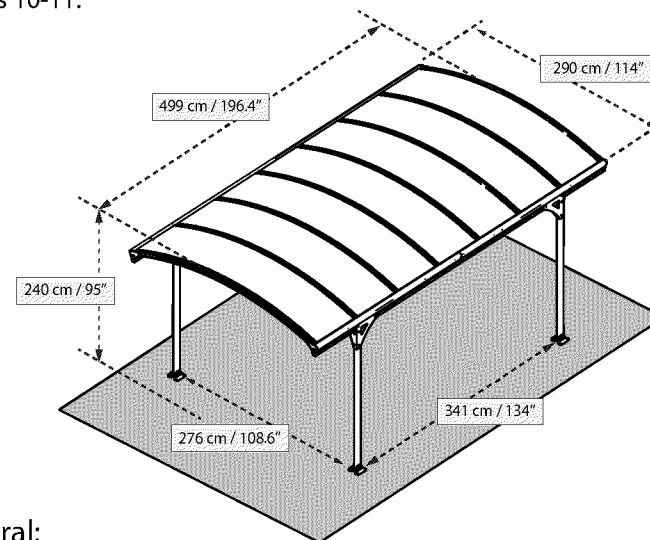
**Step 5:** Please connect two parts when one person lifts the construction at an angle as illustrated in drawing 5a.

**Step 9:** Central channel should remain open. Please place the panel aside the central channel of the arched profile, as illustrated in the top circle.

**Step 10:** Do not tighten the screws fully, until both sides panels in place.

**Step 11:** Profile stretching occurs only when all screws closed fully, at the same time; on both sides

**Step 12:** Repeat and follow the same action for all profiles left as explained in stages 10-11.



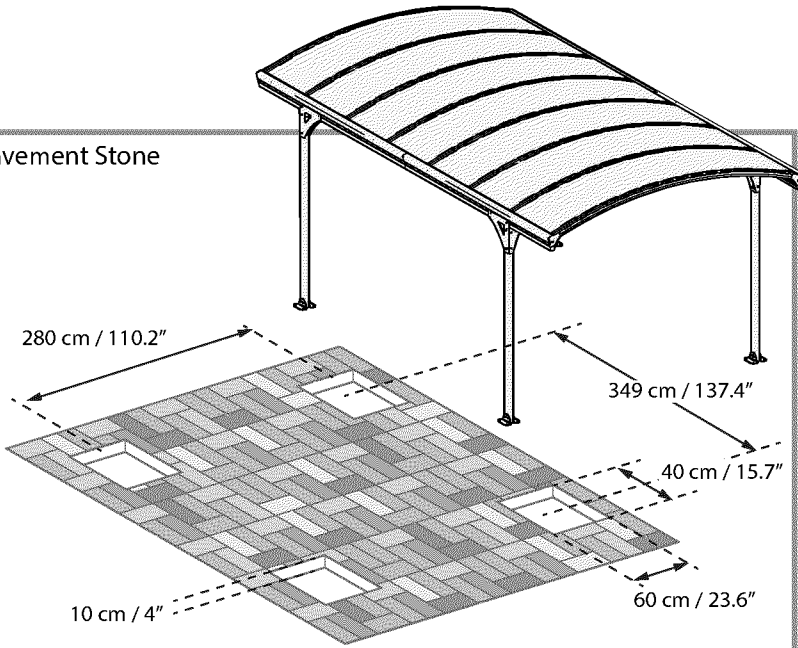
## » General:

- Tighten all screws at the end of assembly.

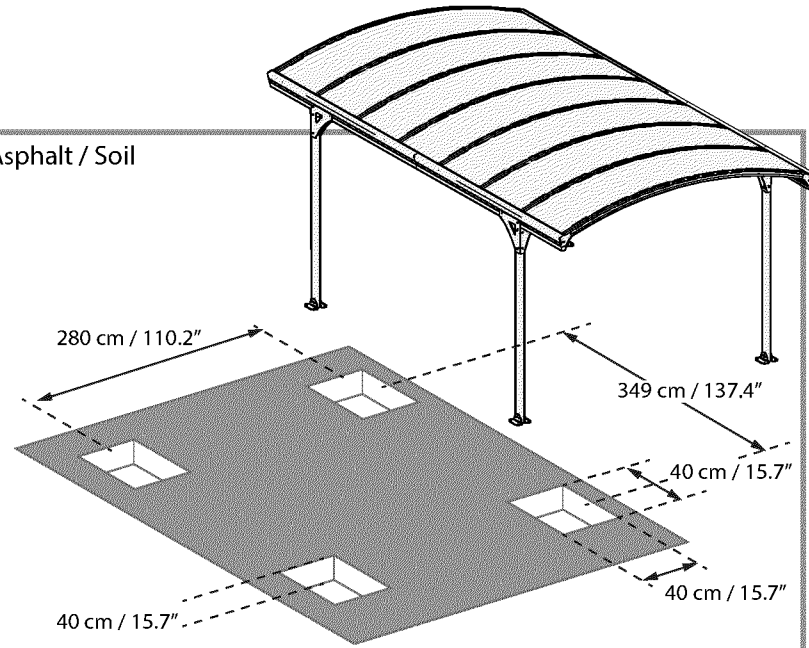


This carport should be assembled on a solid base (such as concrete). Without solid base, pre-foundation, that will include concrete and metal, is needed as in this drawing

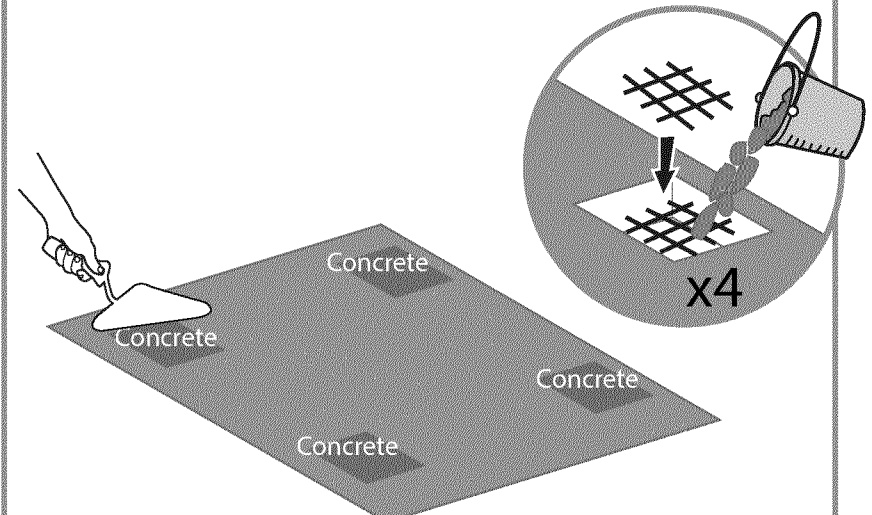
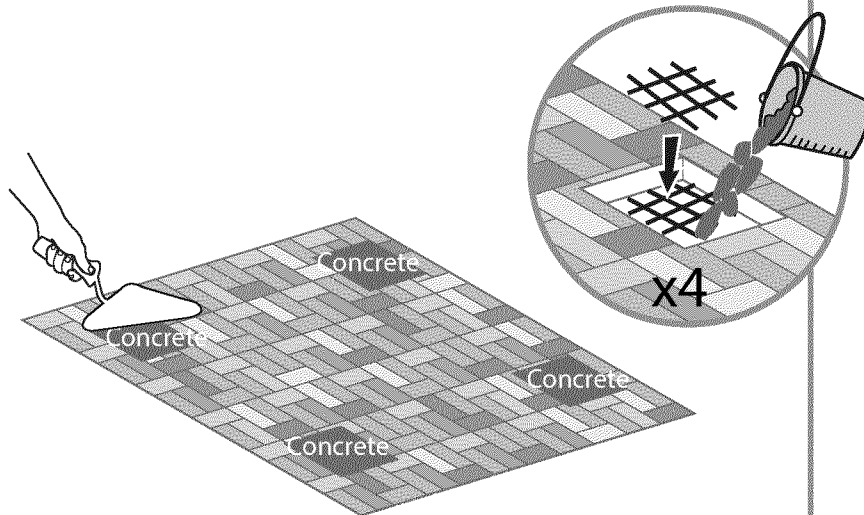
### Pavement Stone



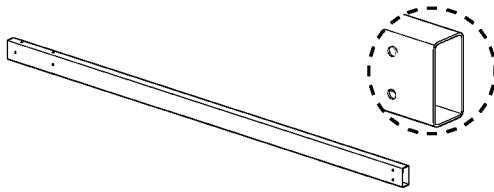
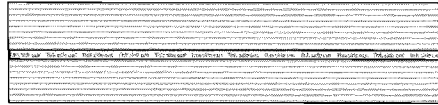
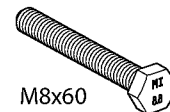
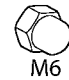
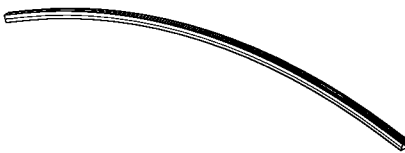
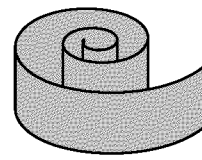
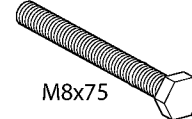

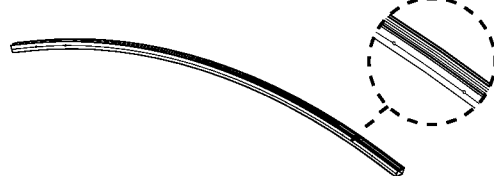
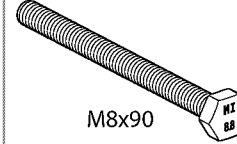

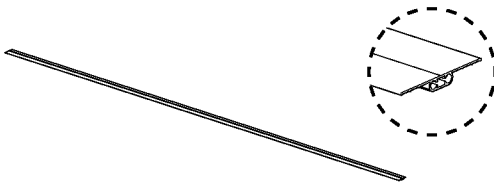
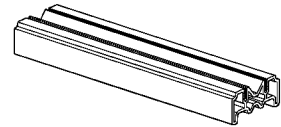
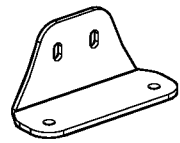
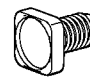
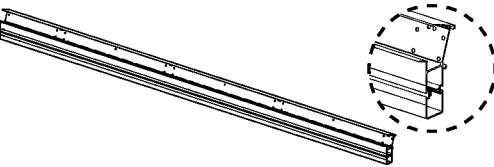
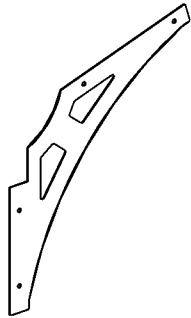
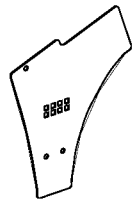
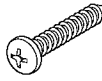
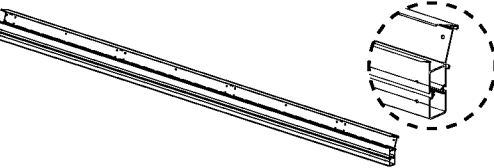
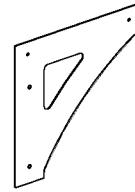
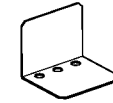

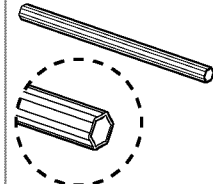
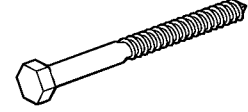
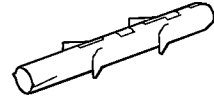

### Asphalt / Soil



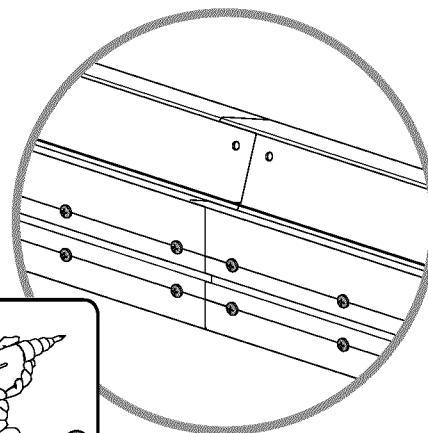
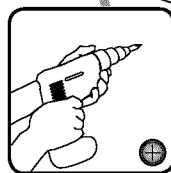
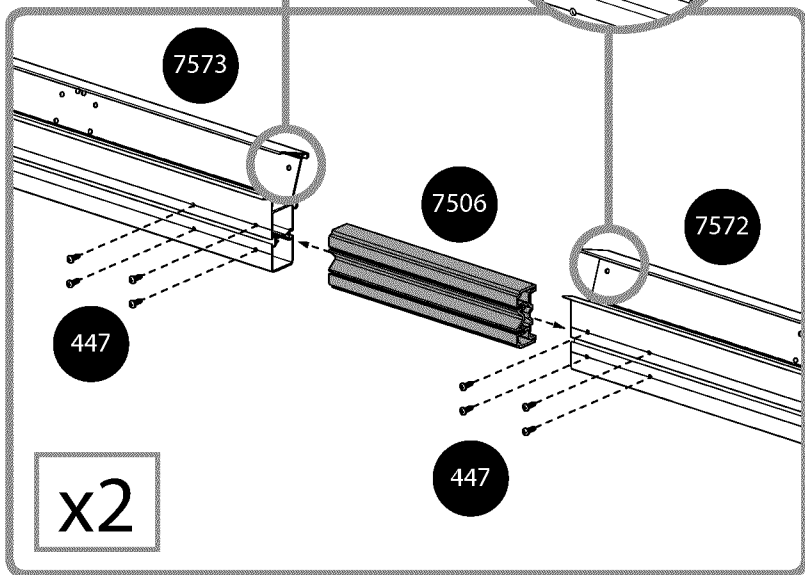
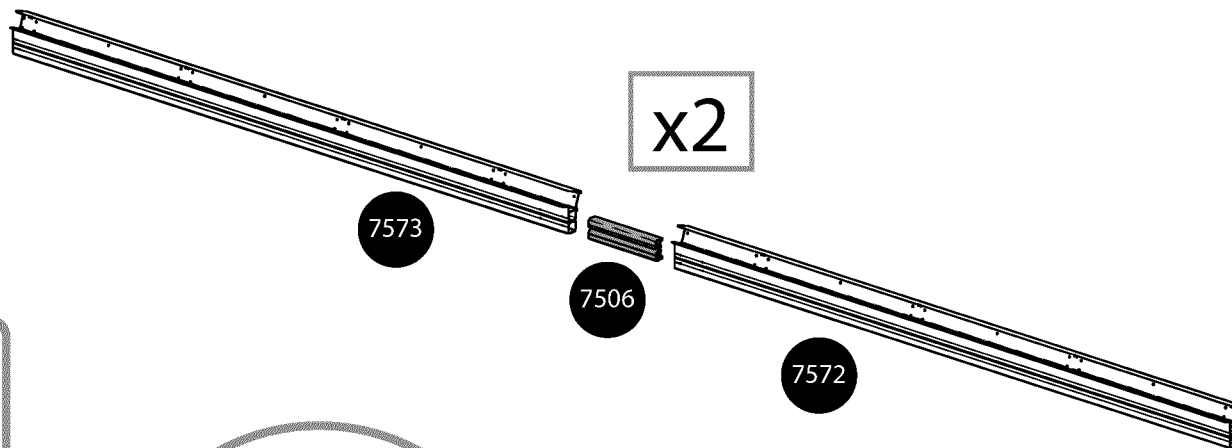
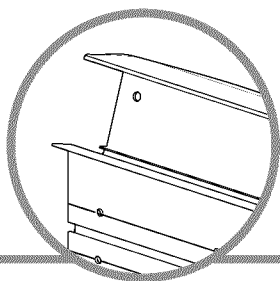
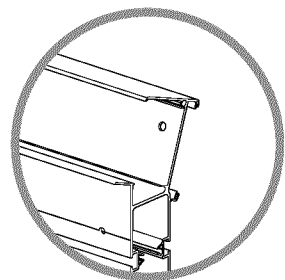
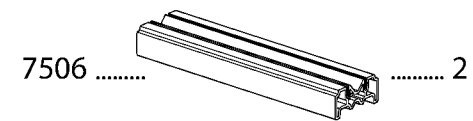
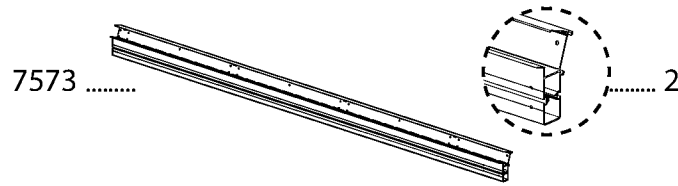
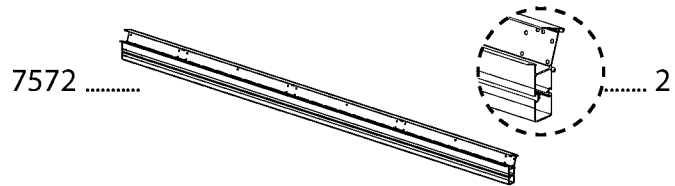
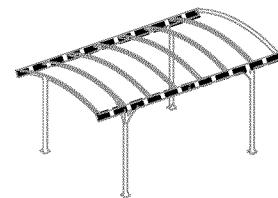
OR

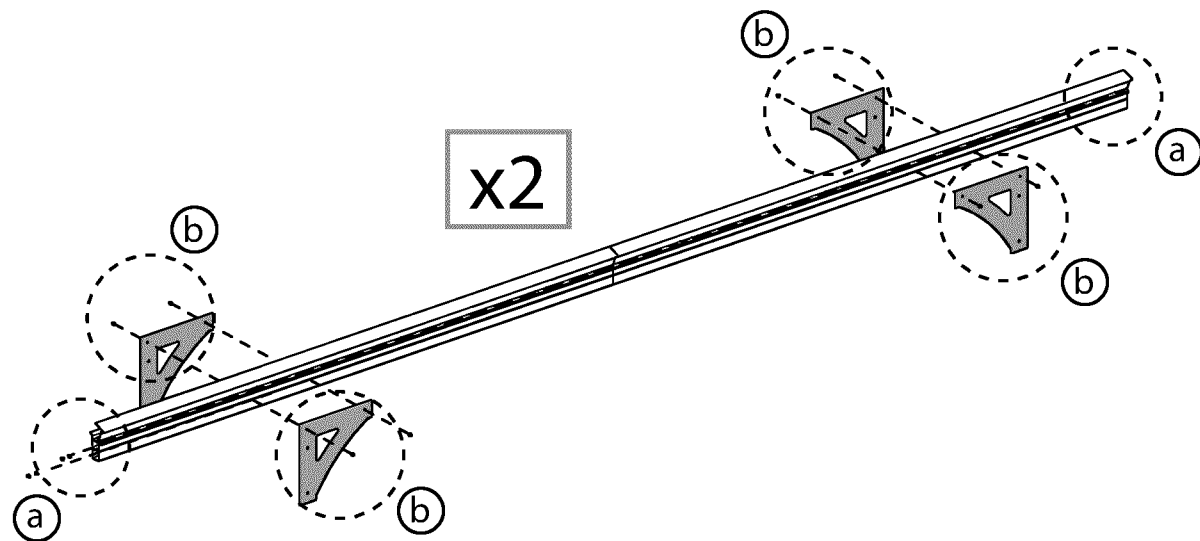
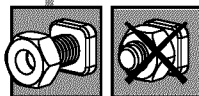
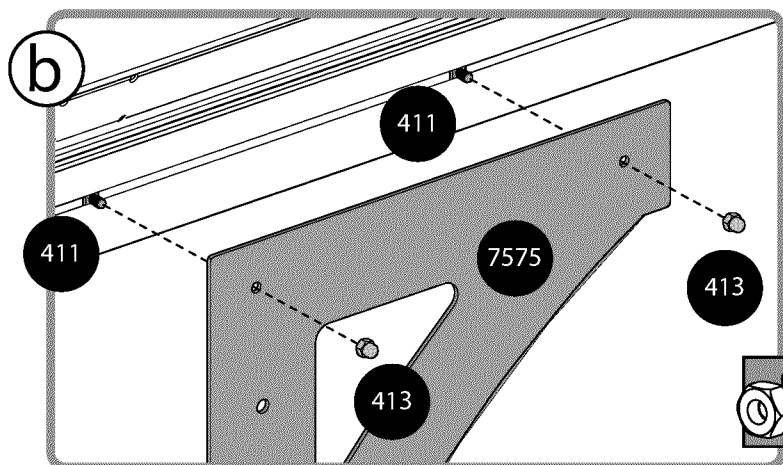
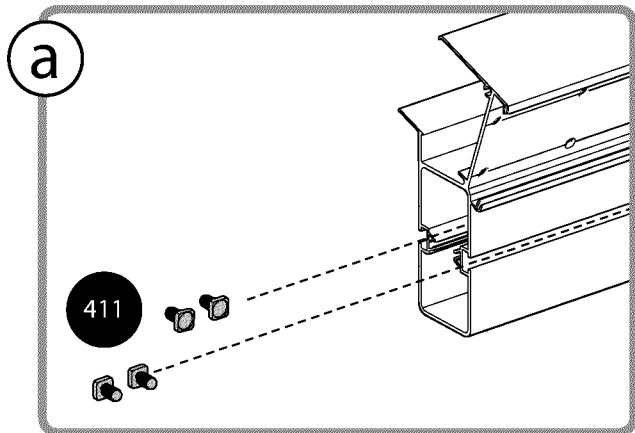
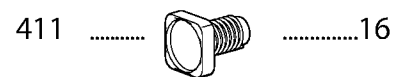
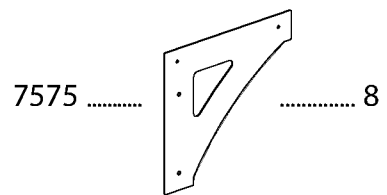
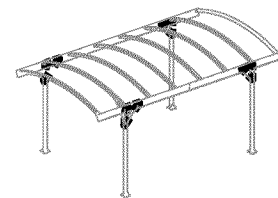


# Contents

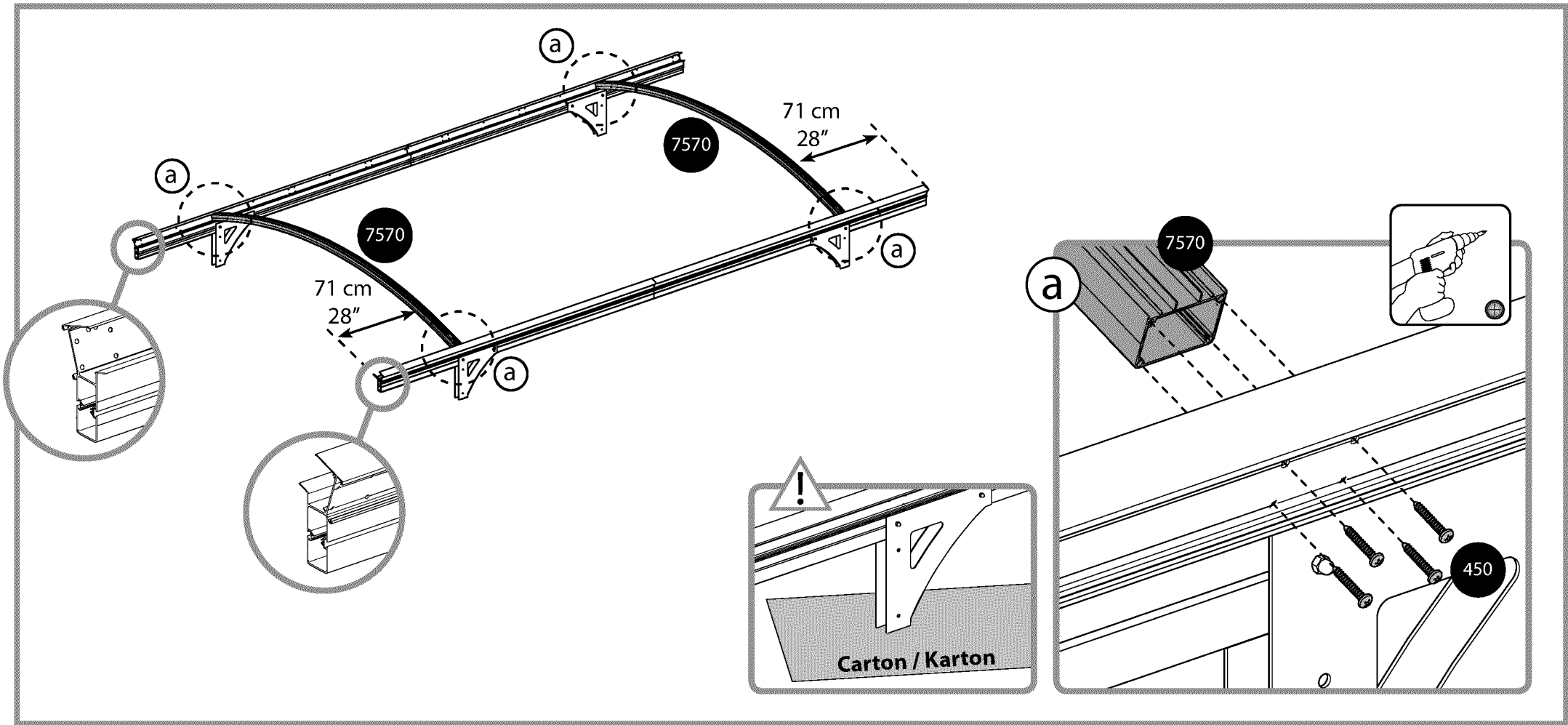
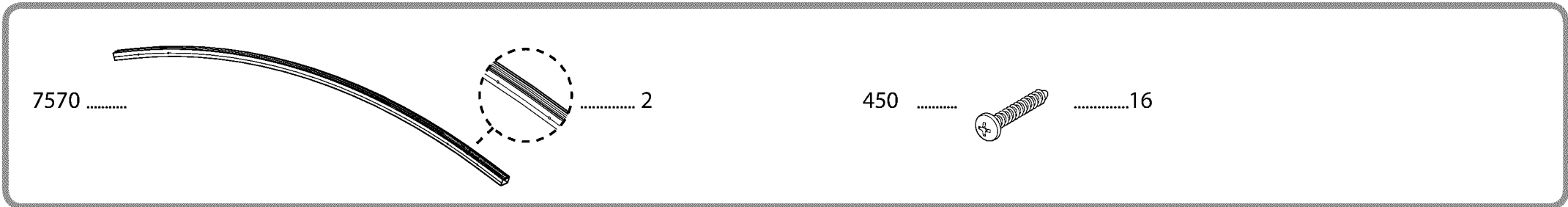
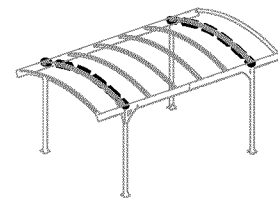
Item		Qty.	Item		Qty.	Item		Qty.	Item		Qty.
7568		4	7577		7	4042	 M8x60	16 (+1)	413	 M6	16 (+2)
7569		6	7578		2	7567	 M8x75	8 (+1)	414	 M8	32 (+3)
7570		2				7579	 M8x90	8 (+1)	433		80 (+5)
7571		8	7506		2	212		8	411		32 (+3)
7572		2	7574		4	7576		4	450		96 (+9)
7573		2	7575		8	7580		14	447		28 (+2)
						T001		1	4000		16 (+1)
									4010		16 (+1)
									5000		48

1

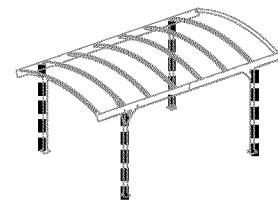




**3** **i**



**4**



<p>7568 ..... 4</p>	<p>212 ..... 8</p>	<p>4042 ..... 8</p> <p>M8x60</p>	<p>433 ..... 16</p>
		<p>5000 ..... 8</p>	<p>414 ..... 8</p> <p>M8</p>

**a**

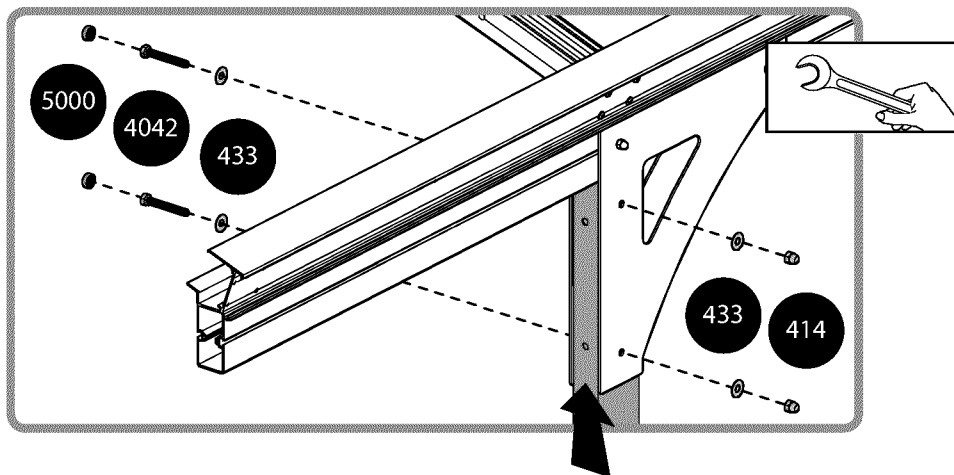
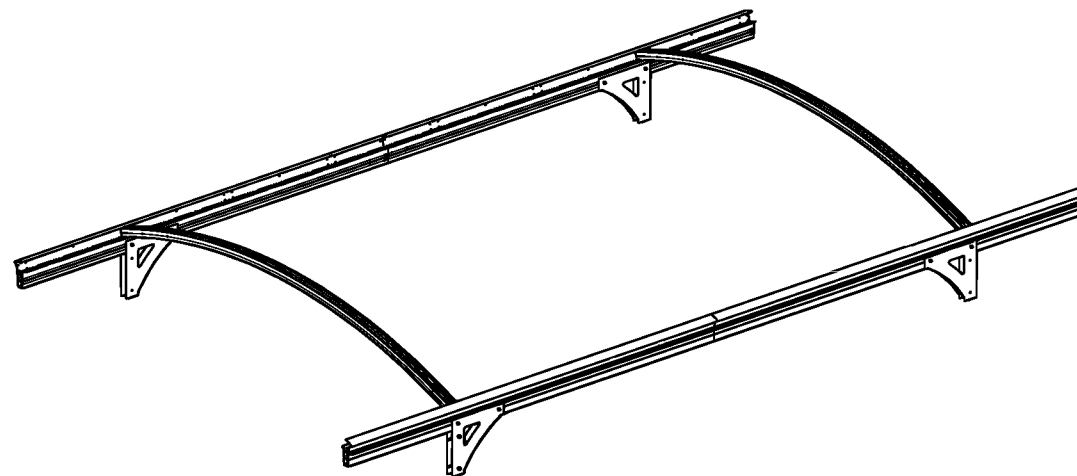
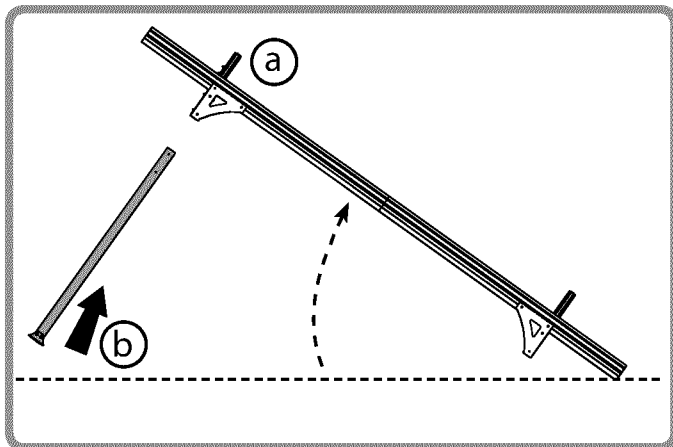
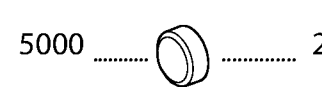
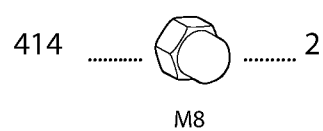
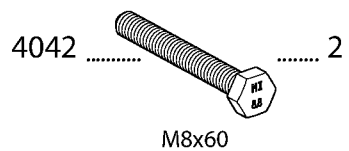
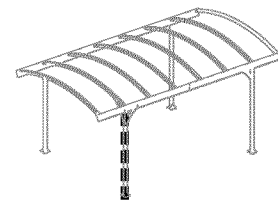
7568

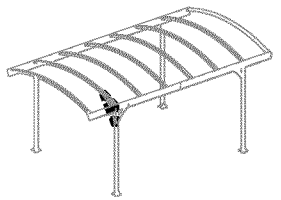
**x4**

**a**



5

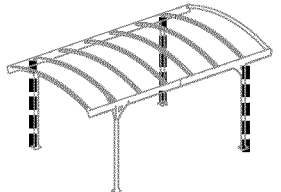


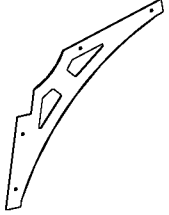
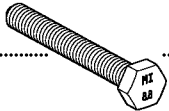
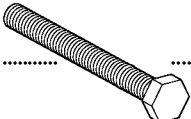
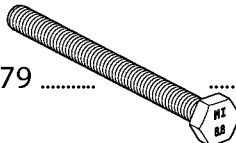





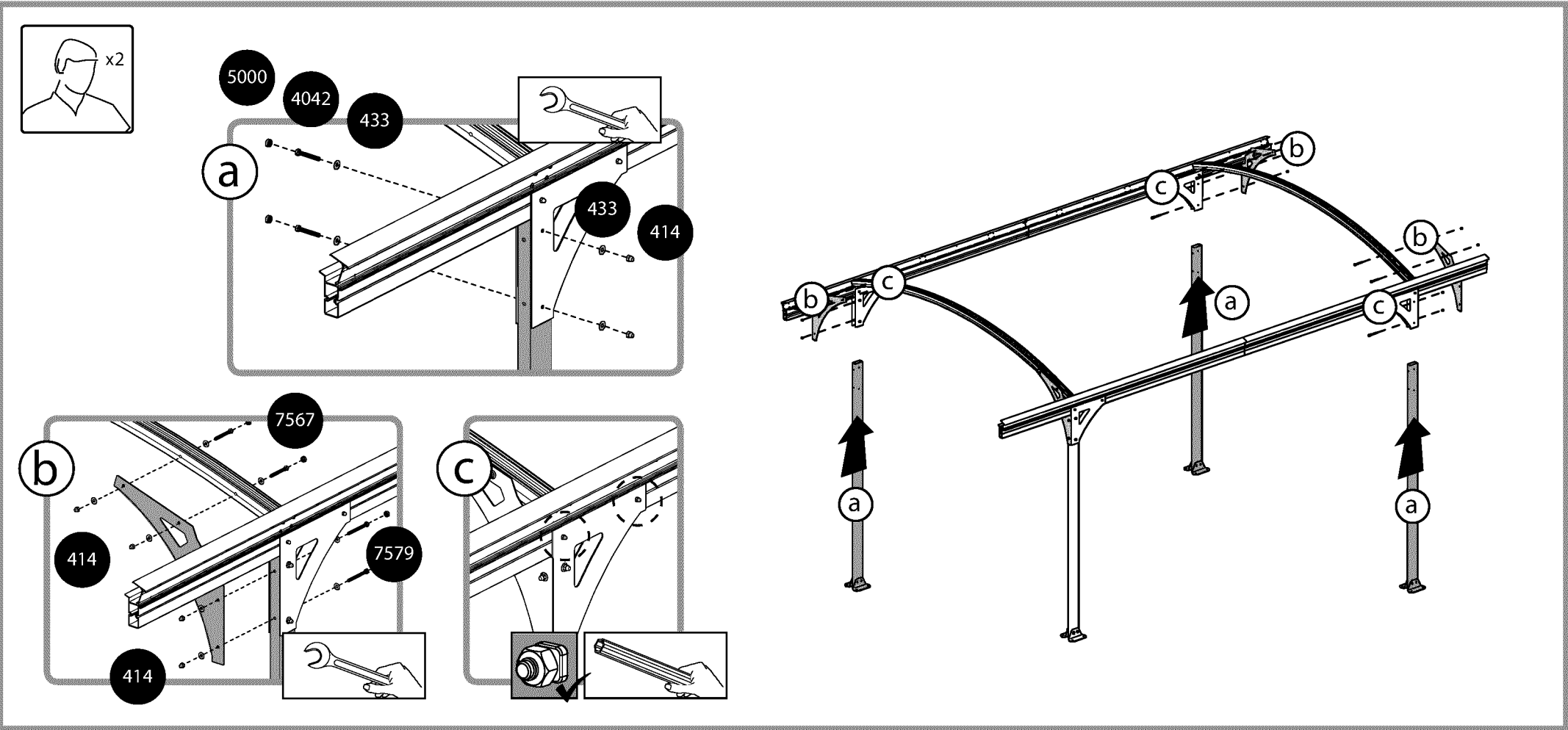
7574 .....		..... 1	7567 .....		..... 2	M8x75	7579 .....		..... 2	M8x90	5000 .....		..... 4	433 .....		..... 8	414 .....		..... 4	M8
------------	--	---------	------------	--	---------	-------	------------	--	---------	-------	------------	--	---------	-----------	--	---------	-----------	--	---------	----

**a**

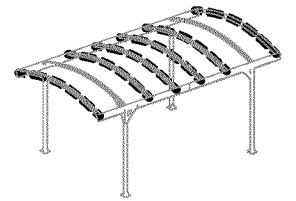
**b**



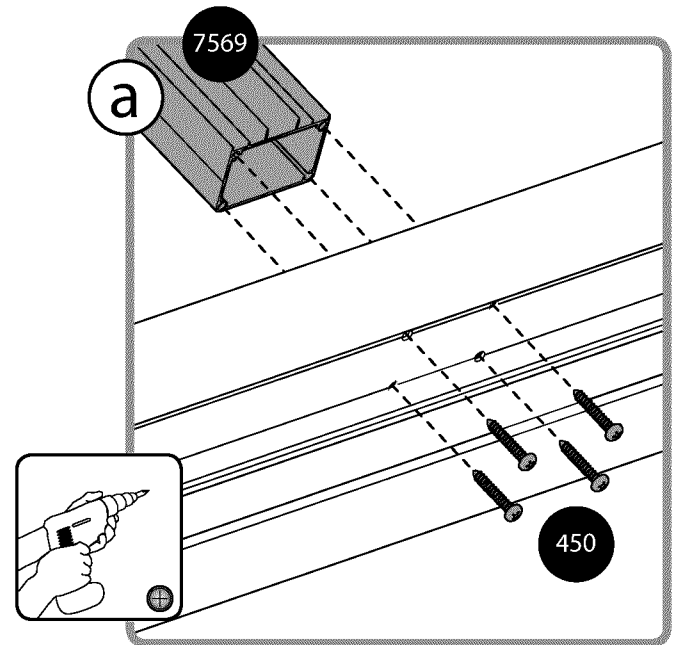
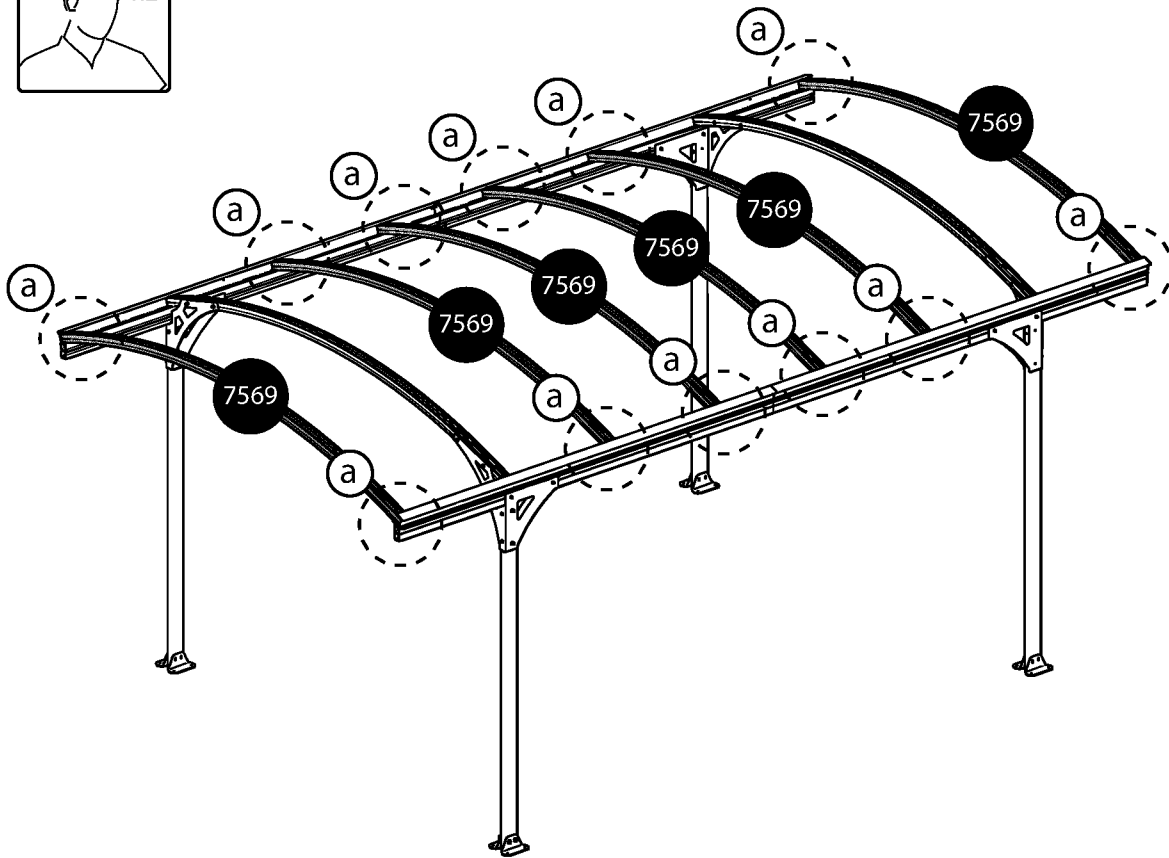
- |   |        |  |         |  |         |  |         |  |         |
|---|--------|--|---------|--|---------|--|---------|--|---------|
| 7574 .....<br> | .....3 | 4042 .....<br><br>M8x60 | ..... 6 | 7567 .....<br><br>M8x75 | ..... 6 | 7579 .....<br><br>M8x90 | ..... 6 | 433 .....<br>       | .....36 |
|   |        |  |         |  |         |  |         | 5000 .....<br>      | .....18 |
|   |        |  |         |  |         |  |         | 414 .....<br><br>M8 | .....18 |



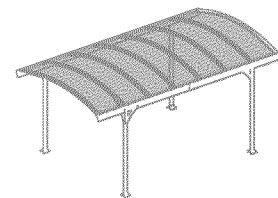
8



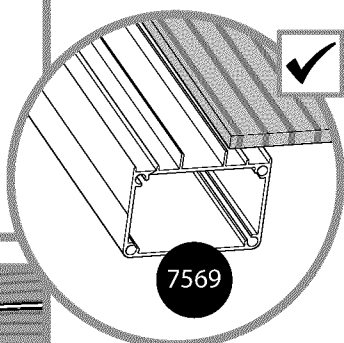
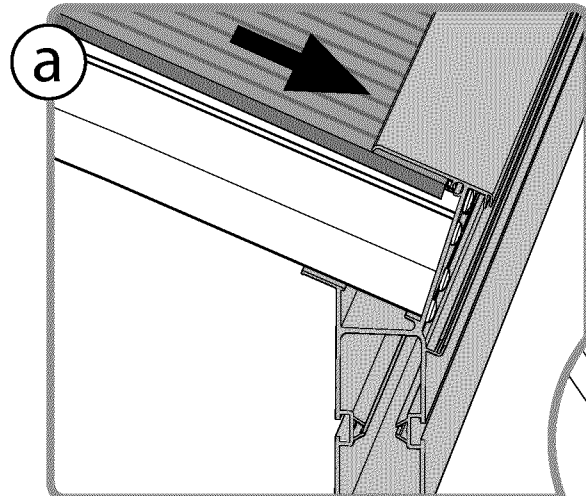
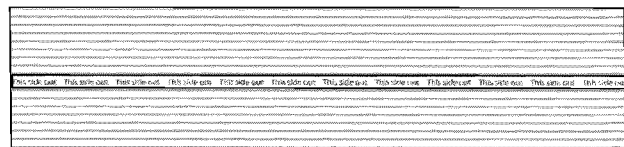
7569 ..... 6                      450 ..... 48



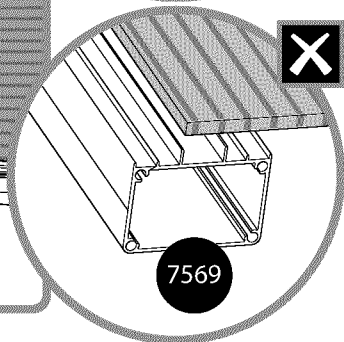
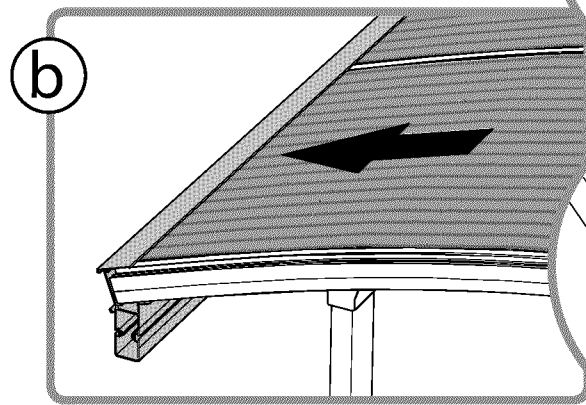
9



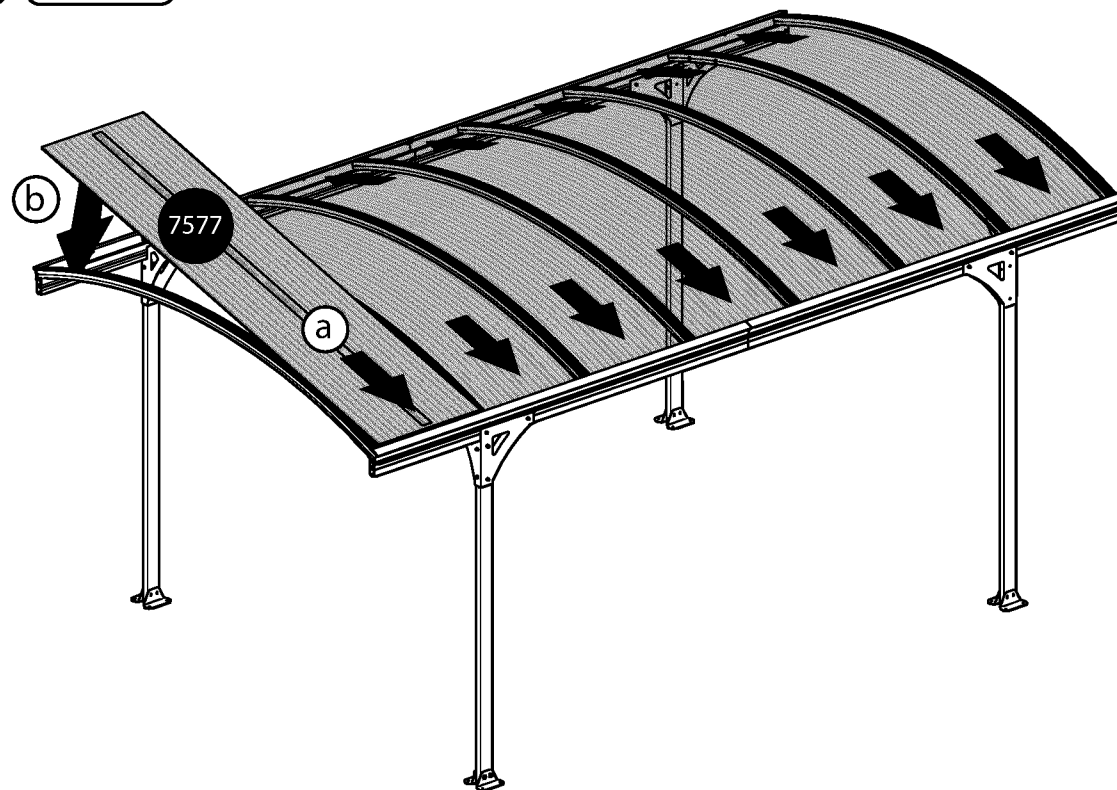
7577 ..... 7



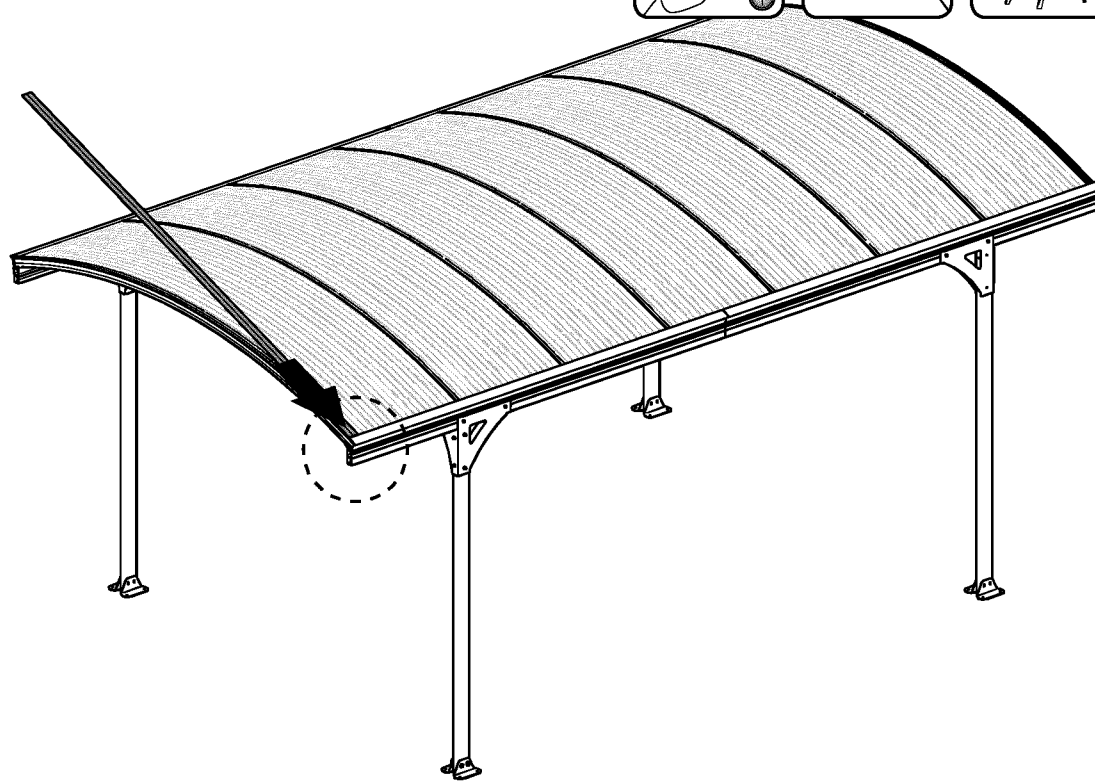
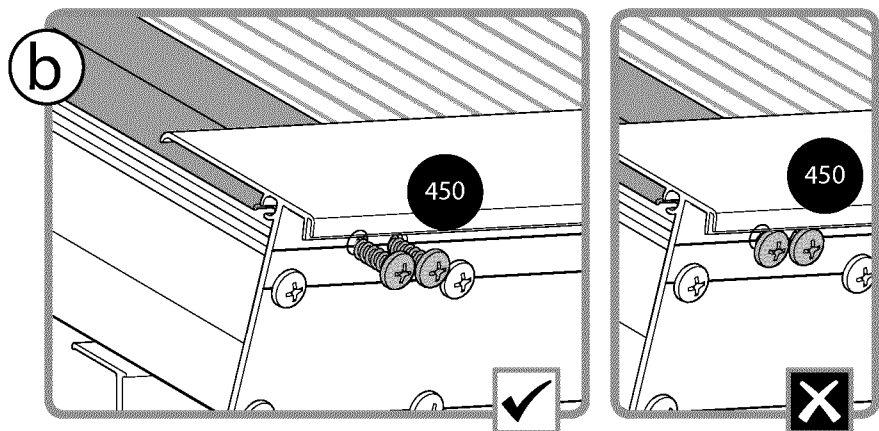
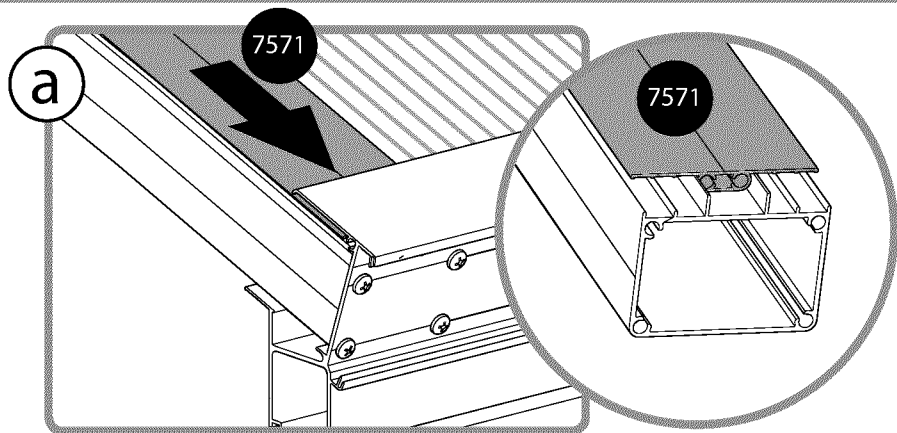
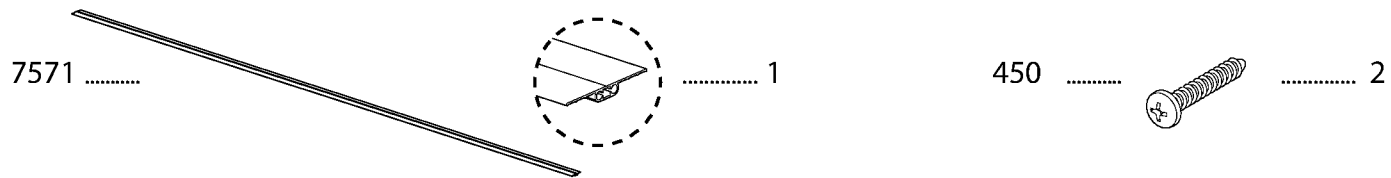
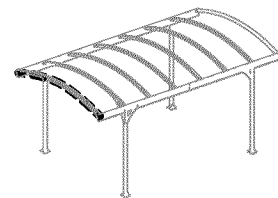
7569



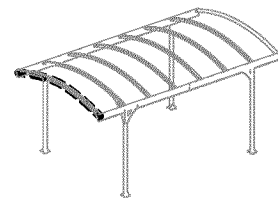
7569

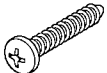


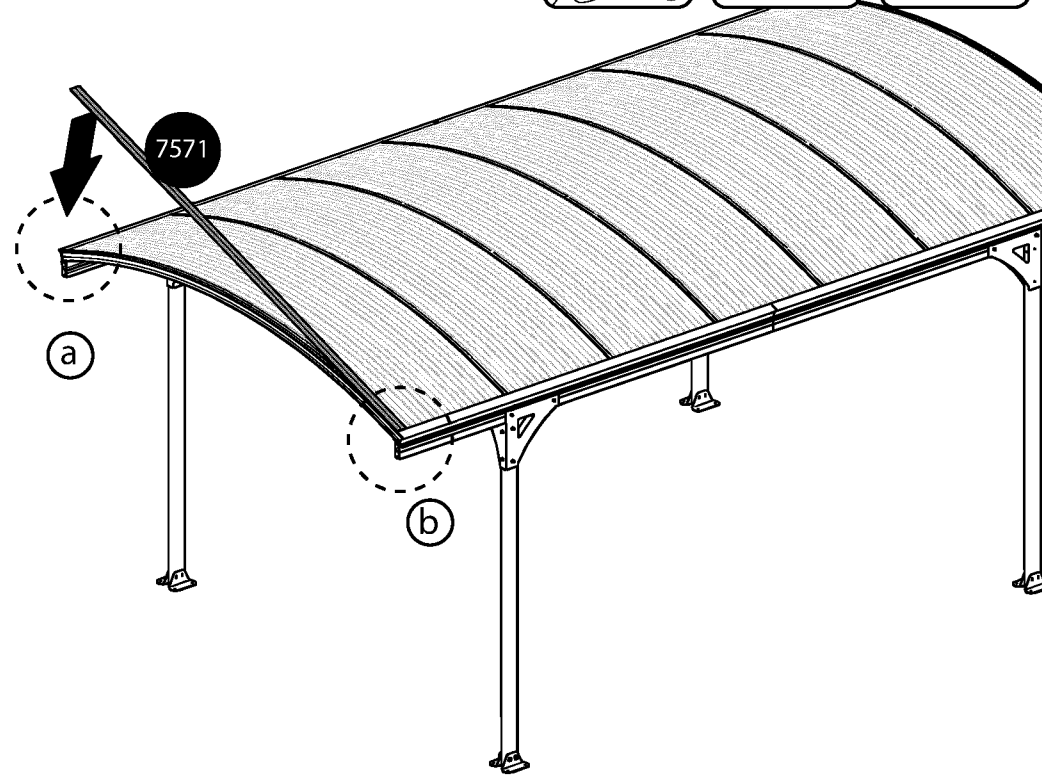
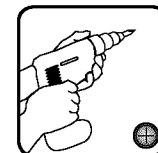
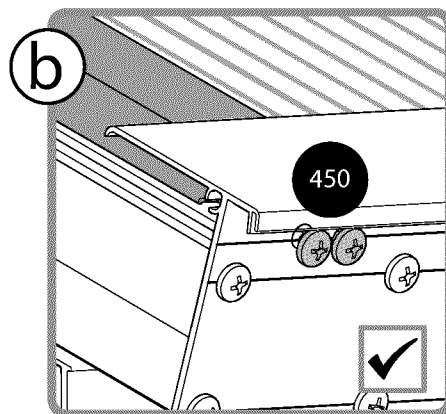
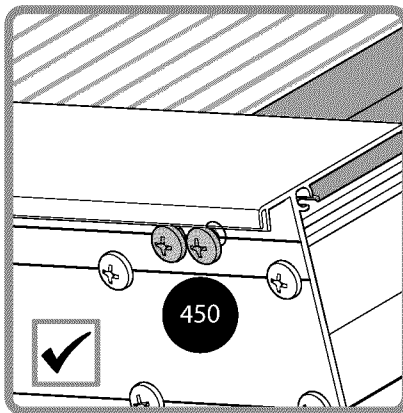
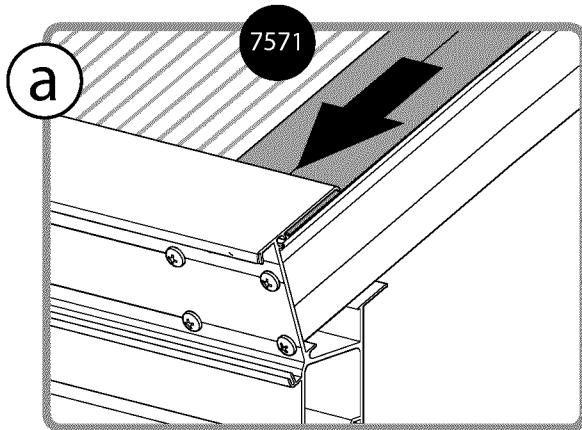
10 **i**



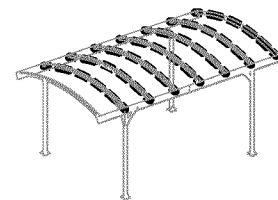
11



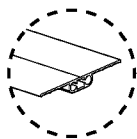
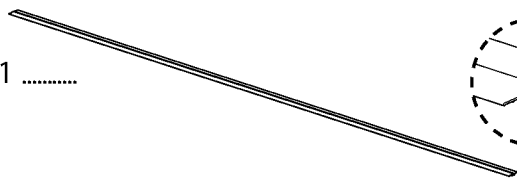
450 .....  ..... 2



12

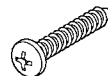


7571 .....

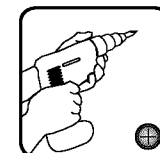
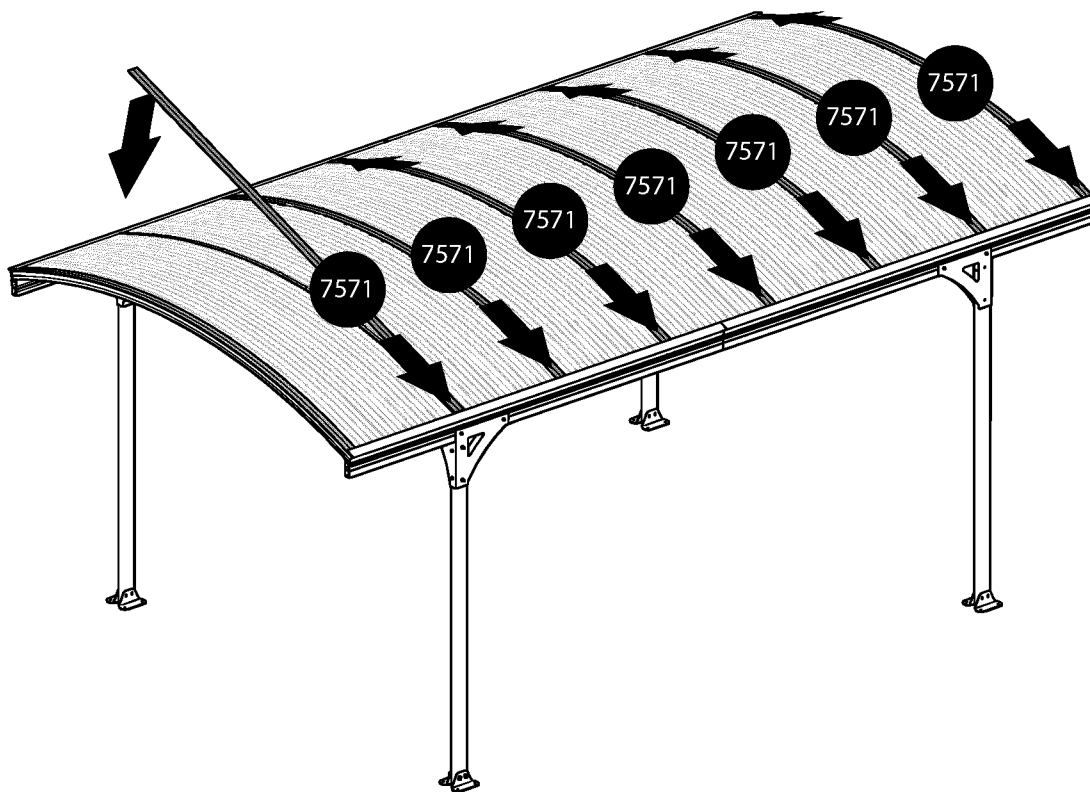


..... 7

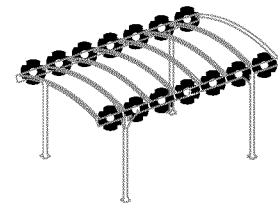
450 .....

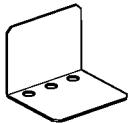


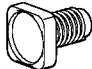
..... 28



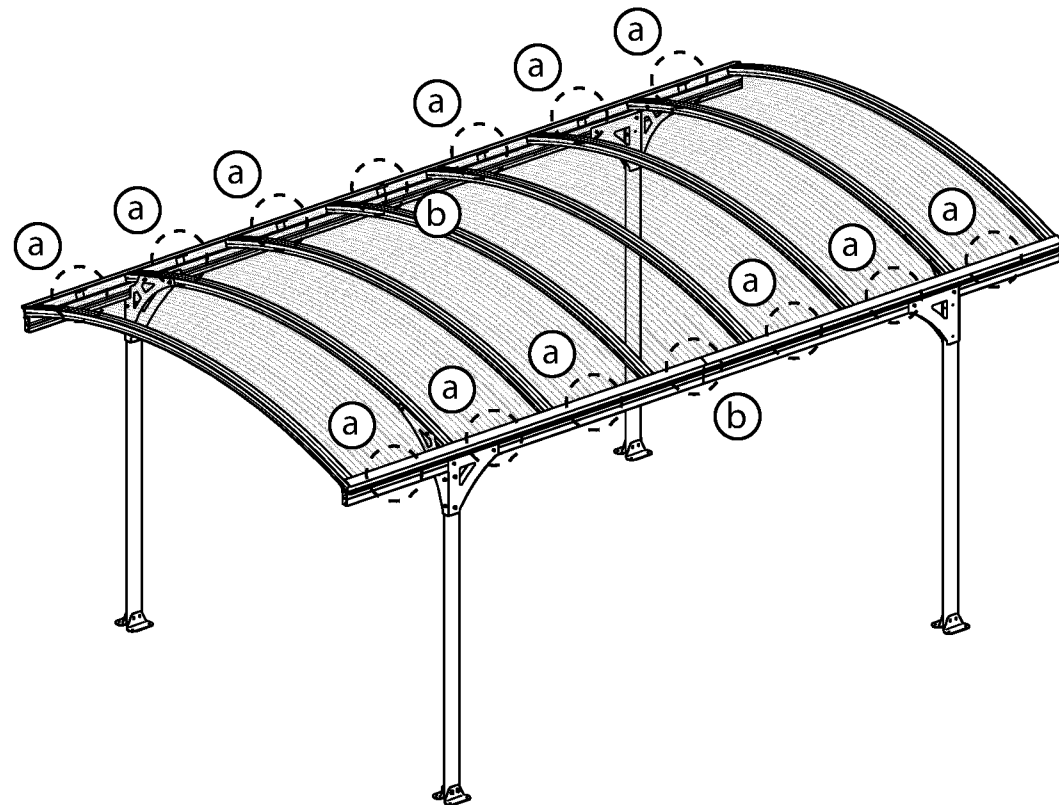
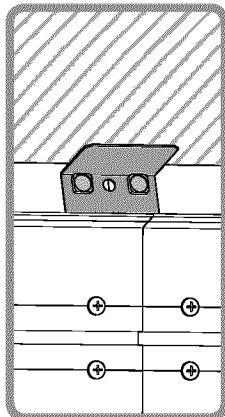
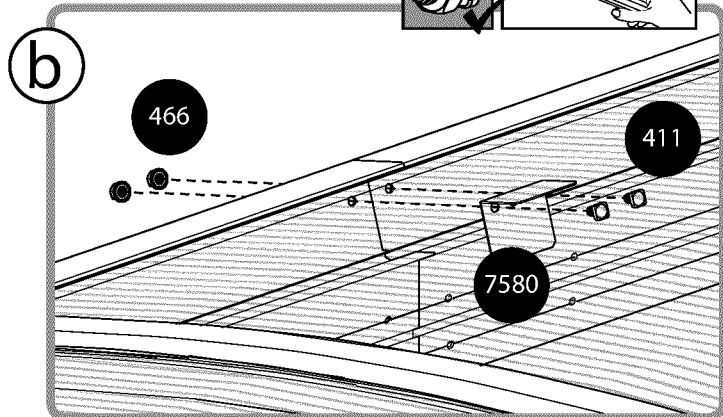
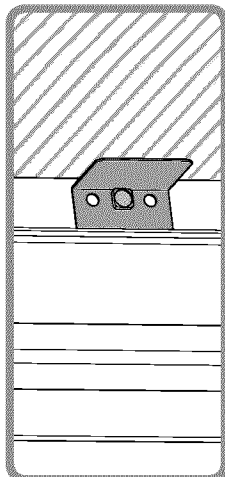
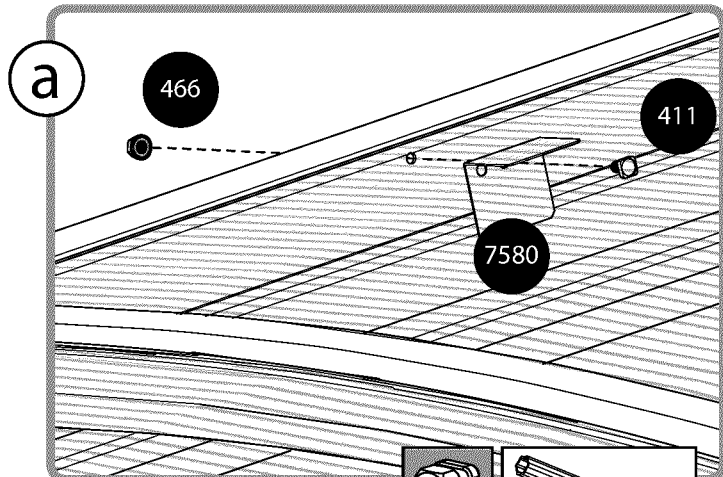


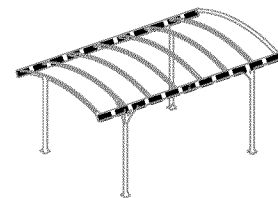


7580 .....  .....14

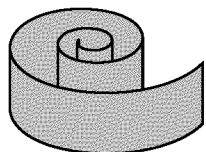
411 .....  .....16

466 .....  .....16

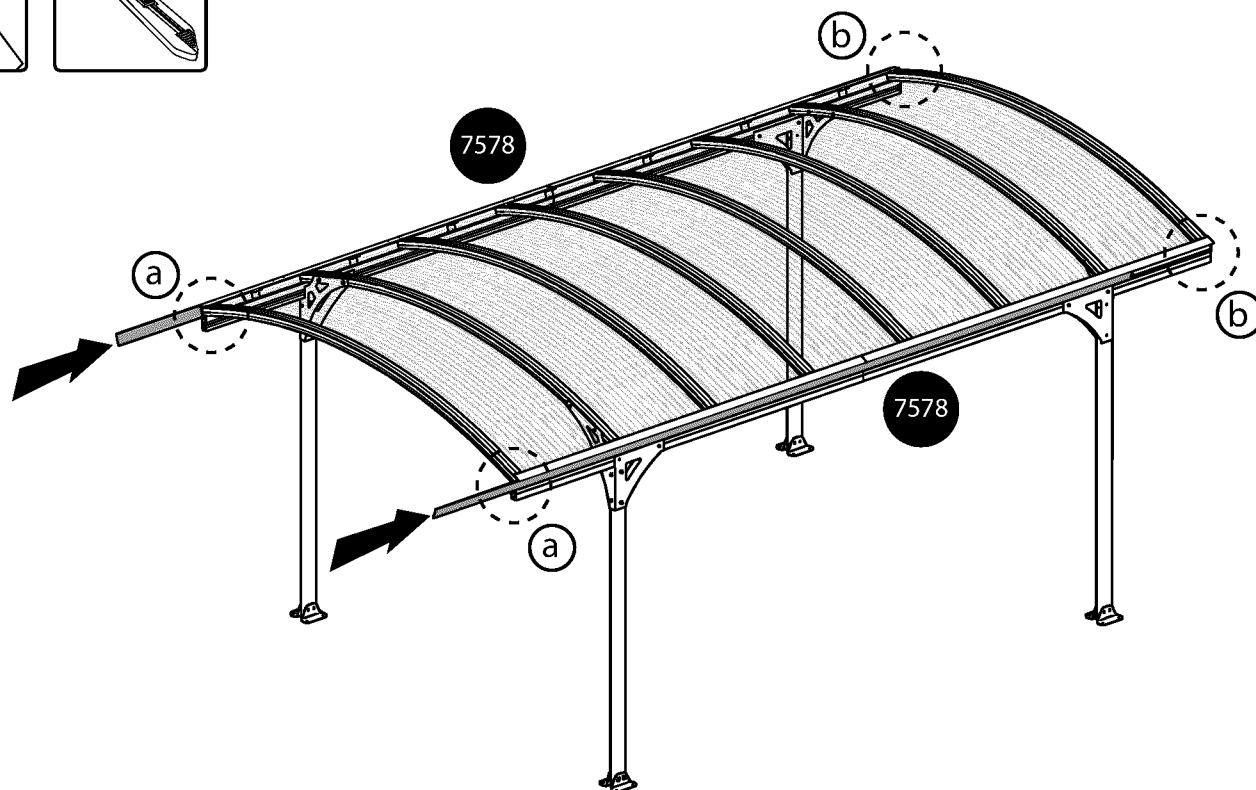
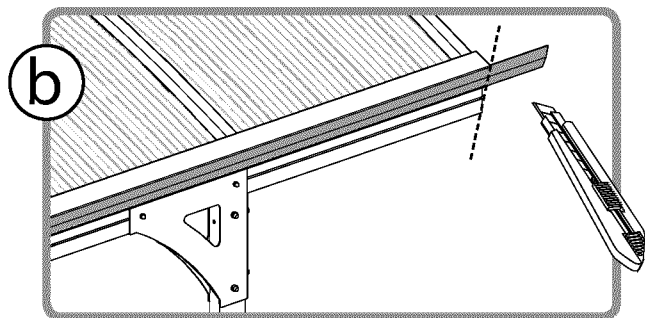
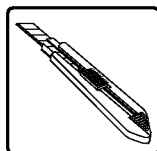
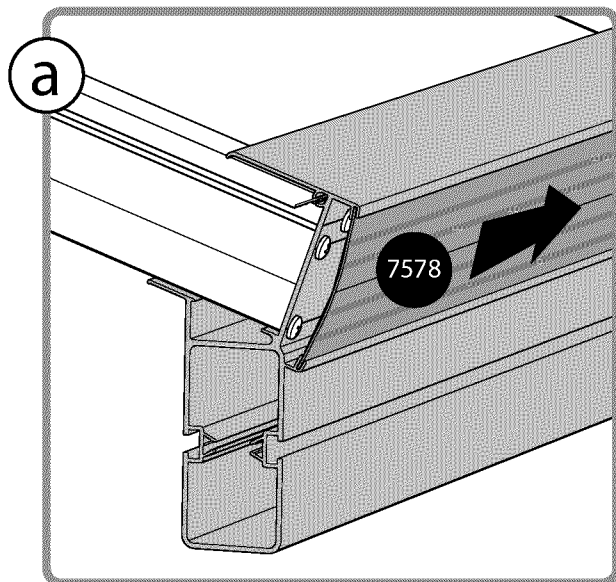


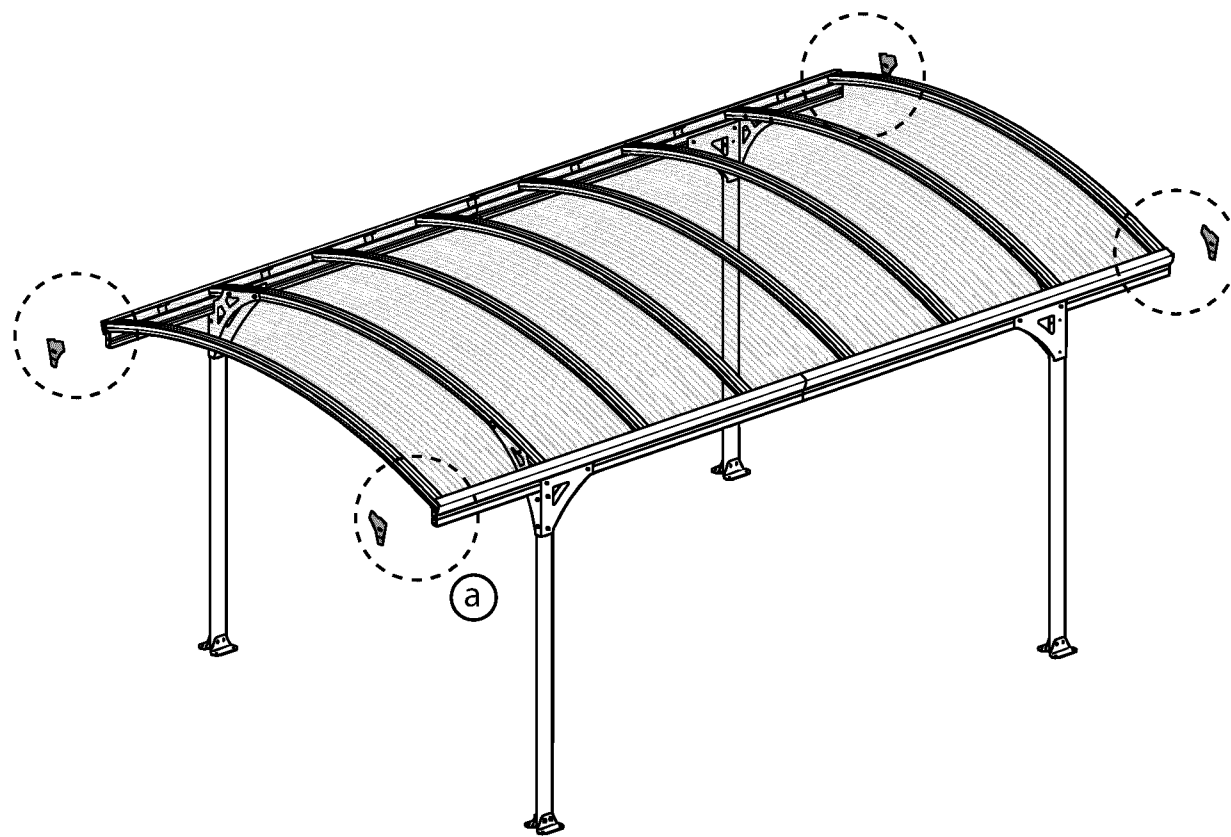
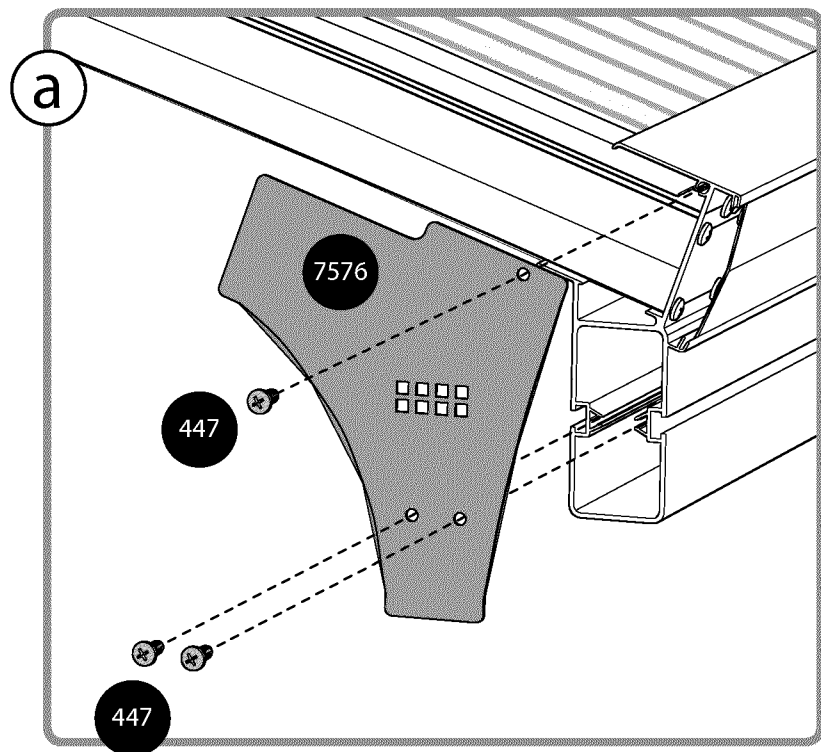
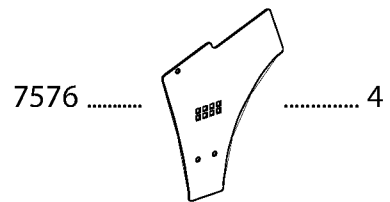
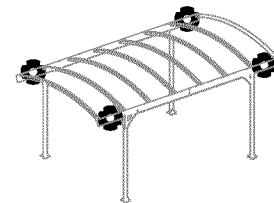


7578 ..... 2

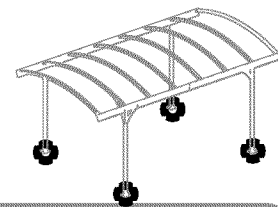


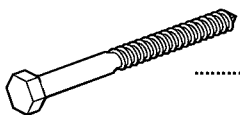
..... 2






16 



4000 .....  ..... 16

4010 .....  ..... 16

5000 .....  ..... 16

433 .....  ..... 16

