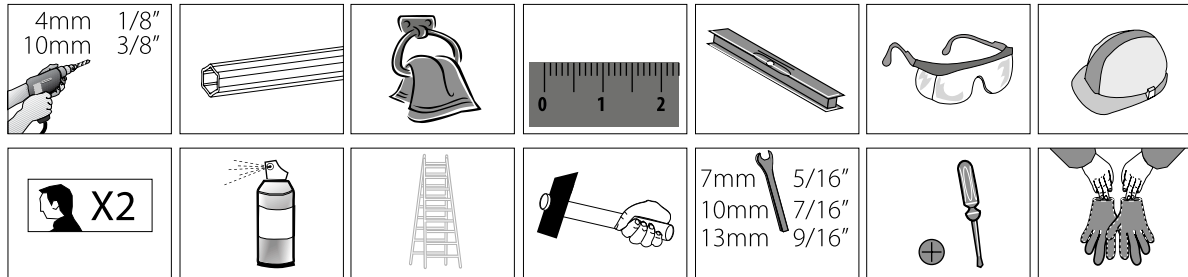
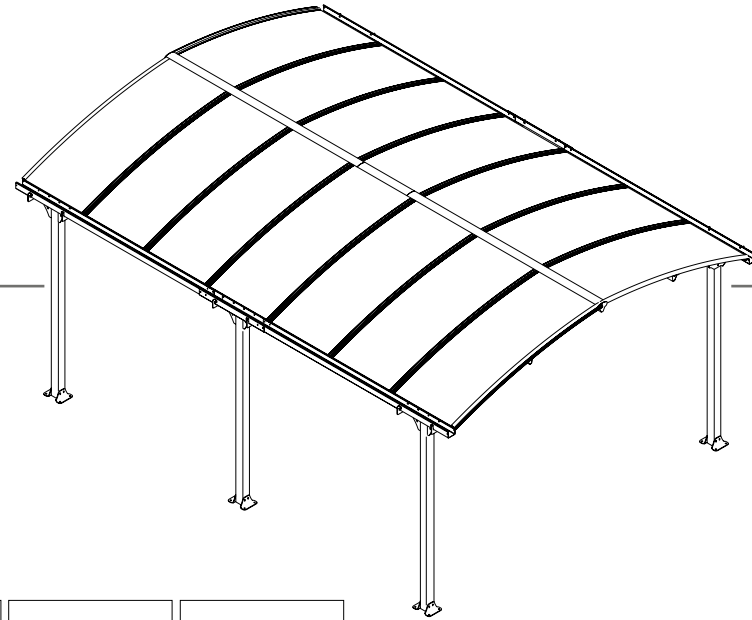




## Assembly Instructions

### Arcadia 5000

501x363x242cm / 16'5"Lx11'10<sup>3</sup>/<sub>4</sub>"x7'11<sup>1</sup>/<sub>4</sub>"



English\_71087

Company information:  
Palram Americas Inc.  
9735 Commerce Parkway  
Kutztown, PA, USA

Service Center:  
Toll Free: (877) 627-8476

[www.palramapplications.com](http://www.palramapplications.com)



**IMPORTANT**

Please read these instructions carefully before you start to assemble this greenhouse.  
Please carry out the steps in the order set out in these instructions.  
Keep these instructions in a safe place for future reference.

**⇒ Care and Safety advice**

- Please follow the instructions as listed in this manual.
- Sort the parts and check against the list of contents.
- For safety purposes we strongly recommend that the product will be assembled by at least two people.
- Some parts have metal edges. Please be careful when handling components. Always wear gloves, shoes and safety goggles during assembly.
- Do not attempt to assemble the carport in windy or wet conditions.
- Dispose of all plastic bags safely – keep them out of reach of small children.
- Keep children away from the assembly area.
- Do not attempt to assemble the carport if you are tired, have taken drugs, medications or alcohol, or if you are prone to dizzy spells.
- When using a stepladder or power tools, ensure that you are follow the manufacturer's safety advice.
- Do not climb or stand on the roof.
- Heavy articles should not be leaned against the poles.
- Do not hang or lay on part 216.
- Please consult your local authorities if any permits are required to erect carport.
- Keep roof and gutters clean of snow, dirt & leaves.
- Heavy amounts of snow on roof can damage the carport making it unsafe to stand below or nearby.
- This product was designed and produced to be a carport only.

**⇒ Some versions of this carport are painted.**

If color was scratched during assembly it can be fixed with the following tints:

White – RAL 9016

Gray – RAL 7012

**⇒ Cleaning instructions**

When your carport needs cleaning, use a mild detergent solution and rinse with cold clean water.

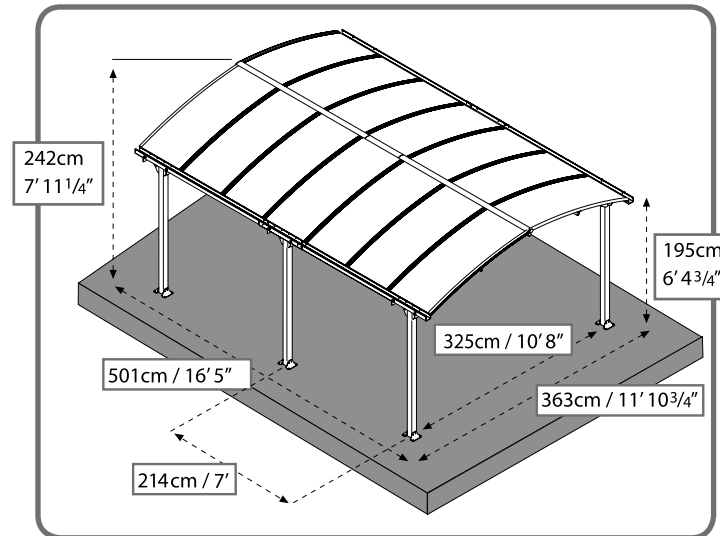
Do not use acetone, abrasive cleaners, or others special detergents to clean the panel.

**⇒ Before stating assembly**

- This carport must be assembled on a solid base (such as concrete or asphalt).
- Choose your site carefully before beginning assembly. Site surface (mainly below poles) needs to be level.
- During assembly use a soft platform below the parts to avoid scratches and damages.

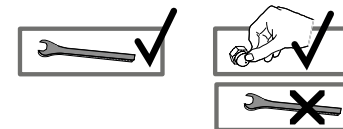
**⇒ TOOL****⇒ Notes (by steps)**

**Step 7:** Screw 4000 intended to keep the parts (gable) stable till gutters will be assembled. If a third person can hold the parts till step 8, this screw can be assembled with all the others at step 33.



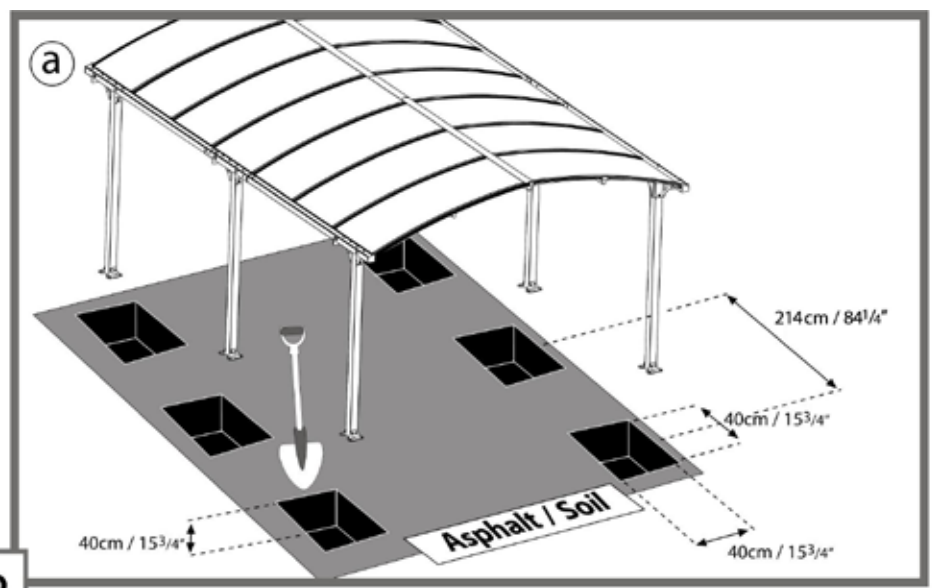
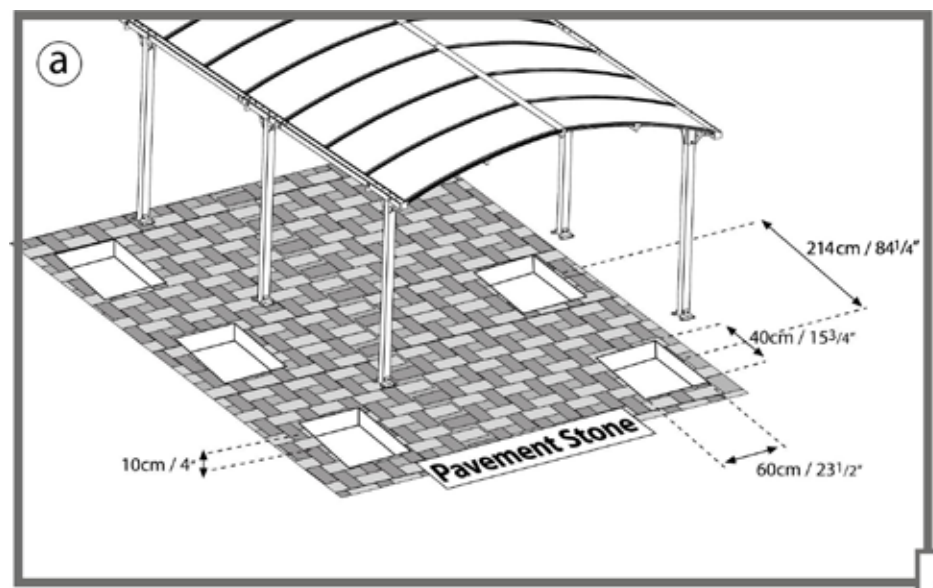
During assembly some screws are fastened fully by wrench while others are fastened just after the whole carport is assembled and leveled (step 21).

Notice the marks on each step:

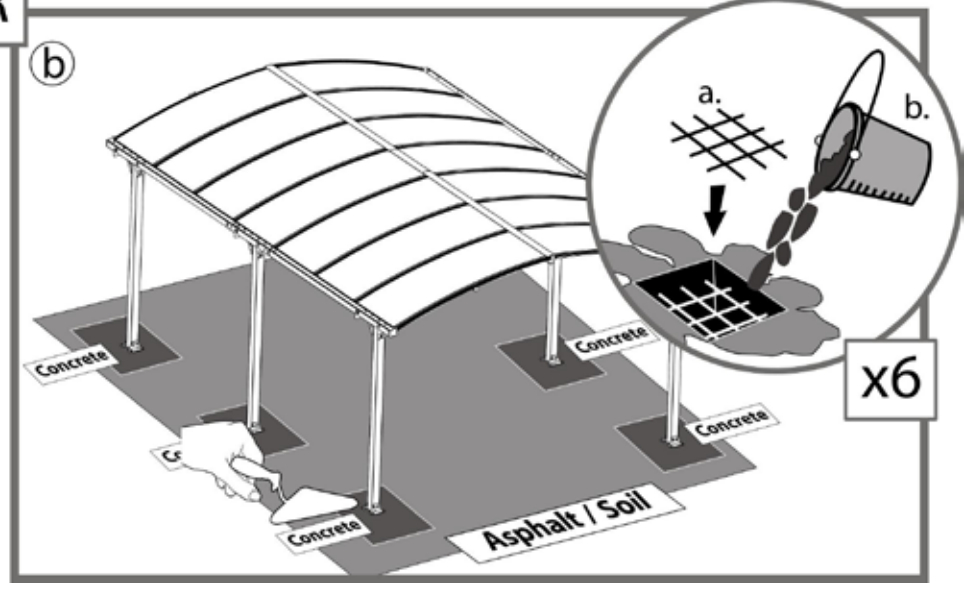
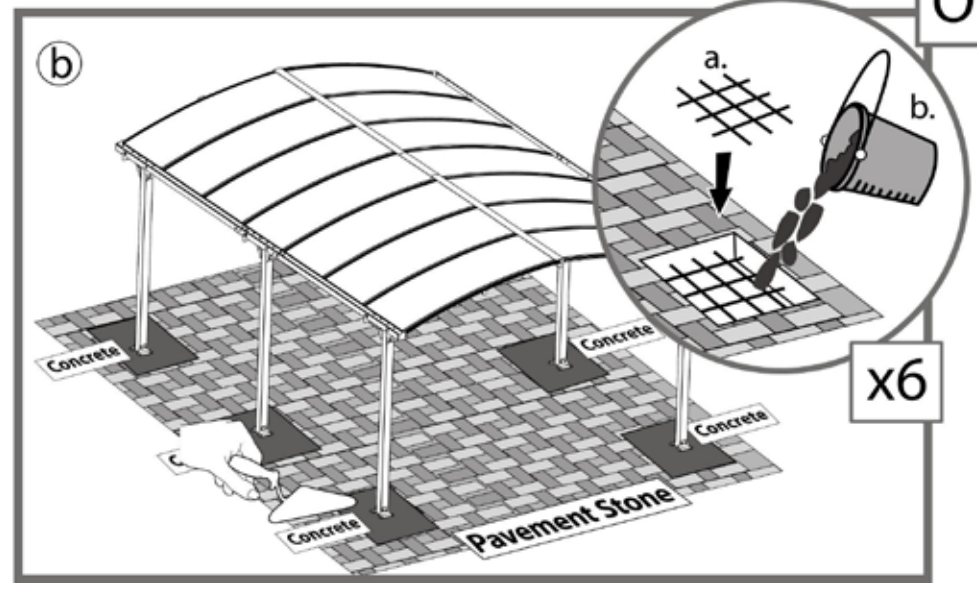




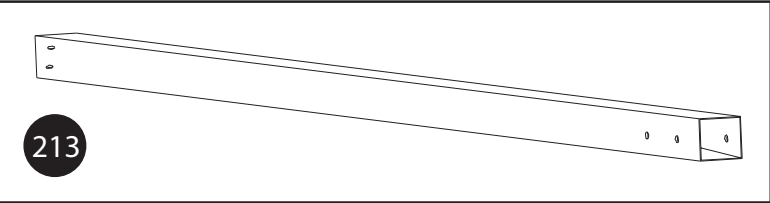
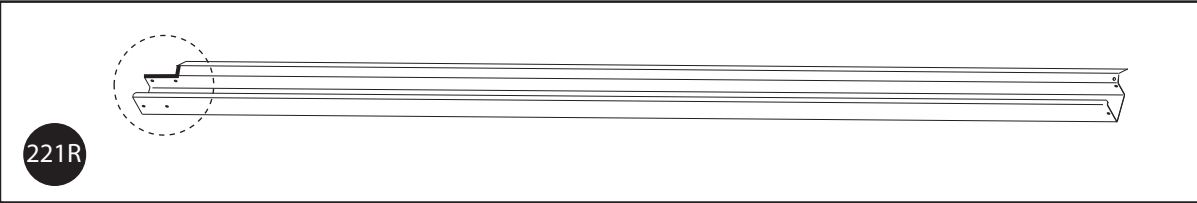
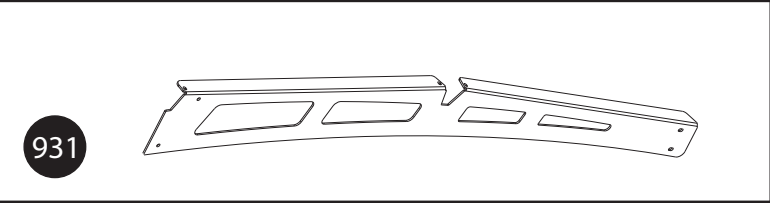
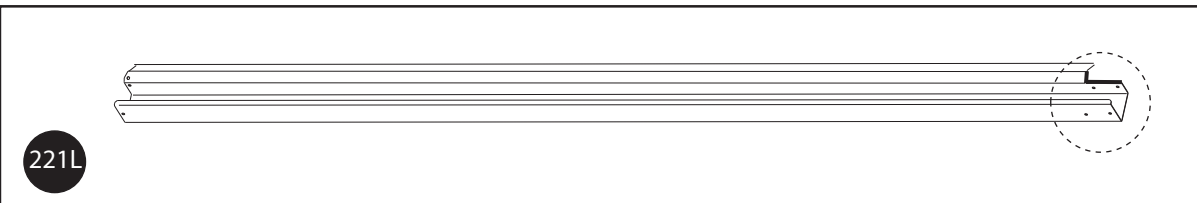
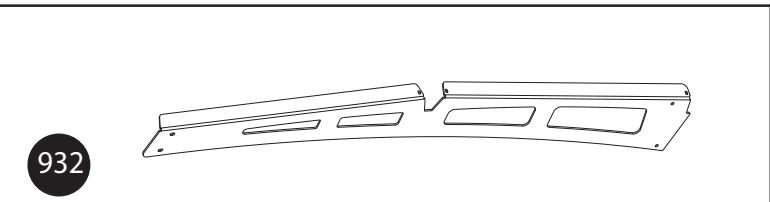
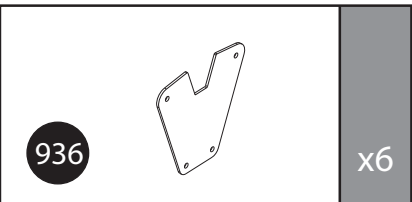
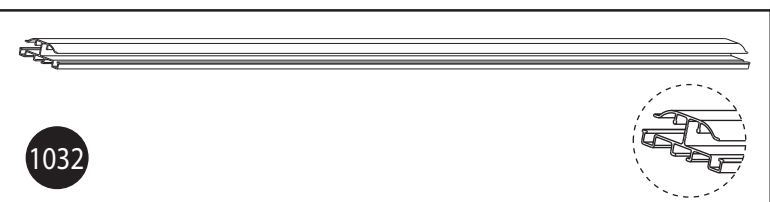
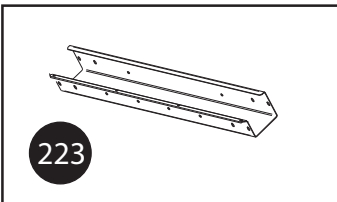

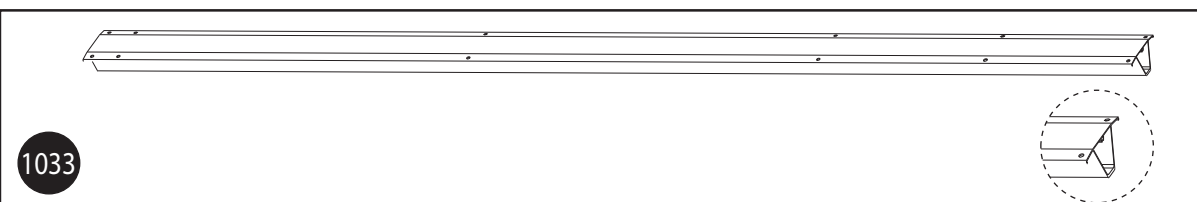
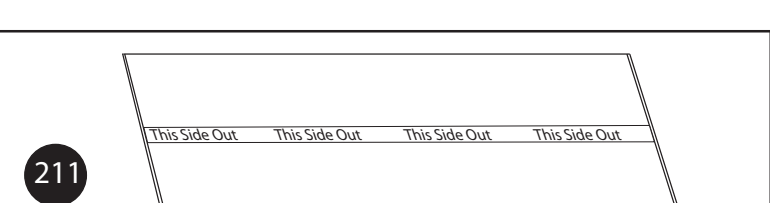
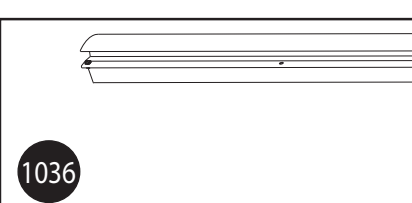
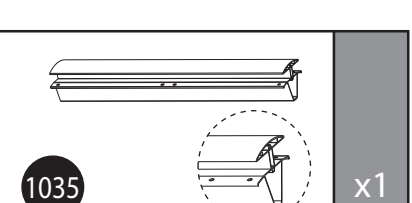
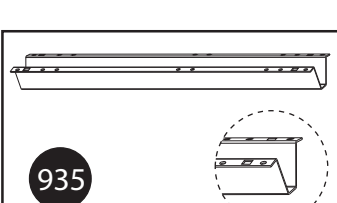
This carport should be assembled on a solid base (such as concrete). Without solid base, pre-foundation, that will include concrete and metal, is needed as in this drawing



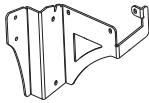
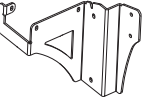
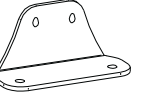
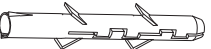

OR




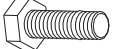


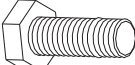







# Contents

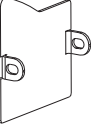
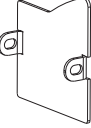



Item	cm/Inc	Qty.	Item	cm/Inc	Qty.
		x6			x2
		x3			x2
		x3			x6
		x12			x2
		x4			x4
		x14			x2
					x1
					x3



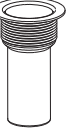





# Contents

Item	cm/Inc	Qty.
		x6
		x6
		x12
		x25 spare x1
	90mm / 3 <sup>3</sup> / <sub>4</sub> "	x25 spare x1

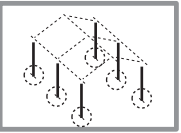
Item	cm/Inc	Qty.
	M8 100mm / 4"	x25 spare x1
	M8	x100 spare x4
	M8	x39 spare x3
	M8 25mm / 1"	x13 spare x1
	M10	x25 spare x1
	M10	x13 spare x1
	M10 25mm / 1"	x13 spare x1

Item	cm/Inc	Qty.
	M6	x44 spare x4
	M6	x118 spare x4
	M6	x159 spare x5
	M8	x13 spare x1
	1/4"	x118 spare x4

Item	cm/Inc	Qty.
		x2
		x2
		x2
		x4
	32mm / 1 <sup>1</sup> / <sub>4</sub> "	x8 spare x1

Item	cm/Inc	Qty.
		x2
		x4
		x4
T001	7 <sup>3</sup> / <sub>4</sub> / 20	x1
		
		
	M4 16mm / 5/8"	x59 spare x3
	M4	x59 spare x3
	M4	x59 spare x3

1



213 .....x6

933 .....x6

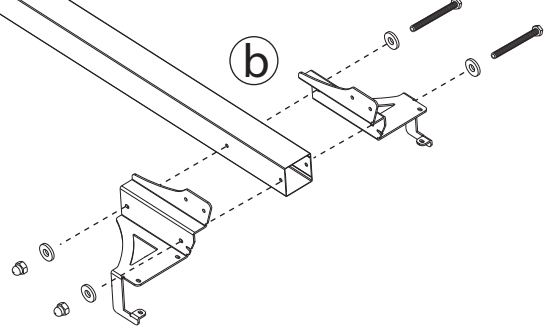
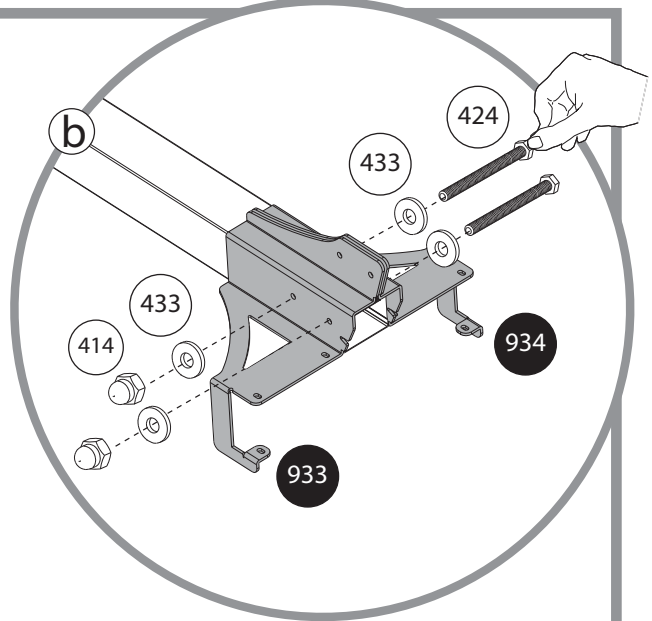
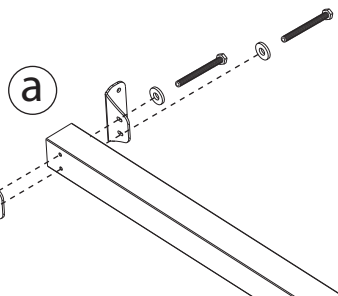
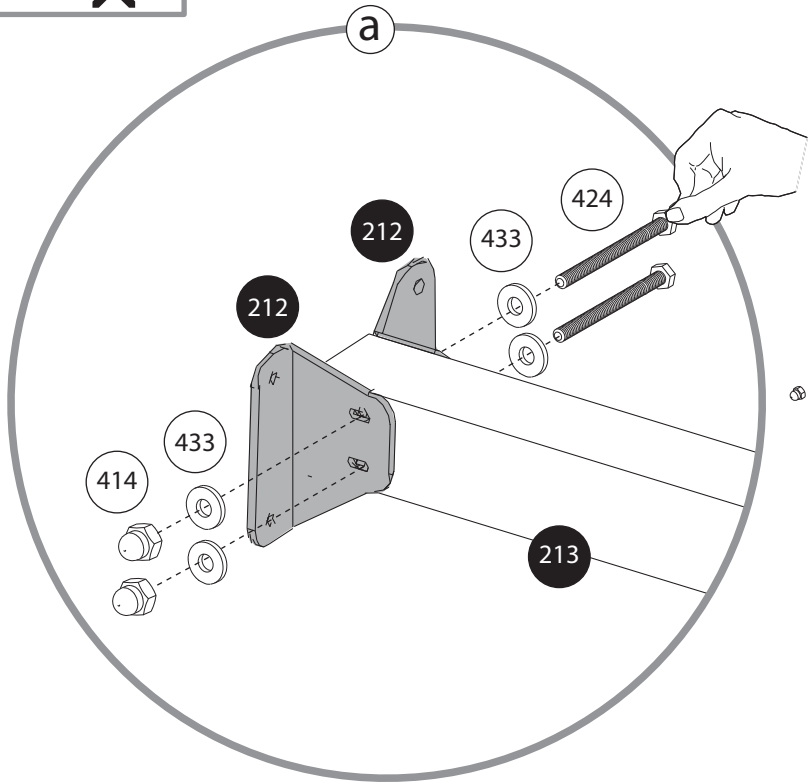
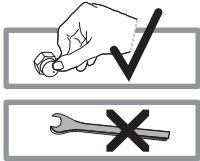
934 .....x6

212 .....x12

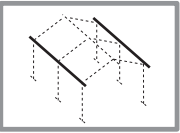
414 .....x24

433 .....x48

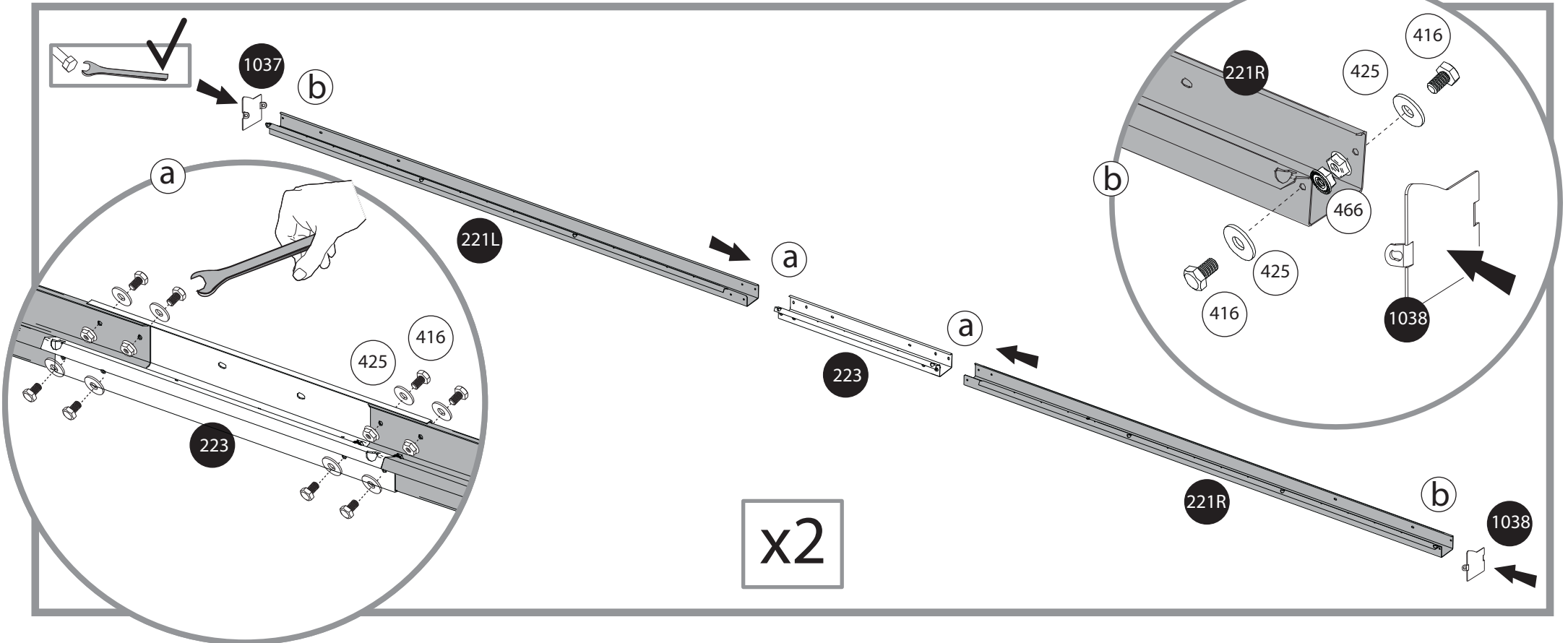
424 .....x24



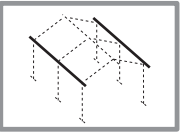
x6



- 221L x2
- 221R x2
- 223 x2
- 1037 x2
- 1038 x2
- 416 x24
- 425 x24
- 466 x24



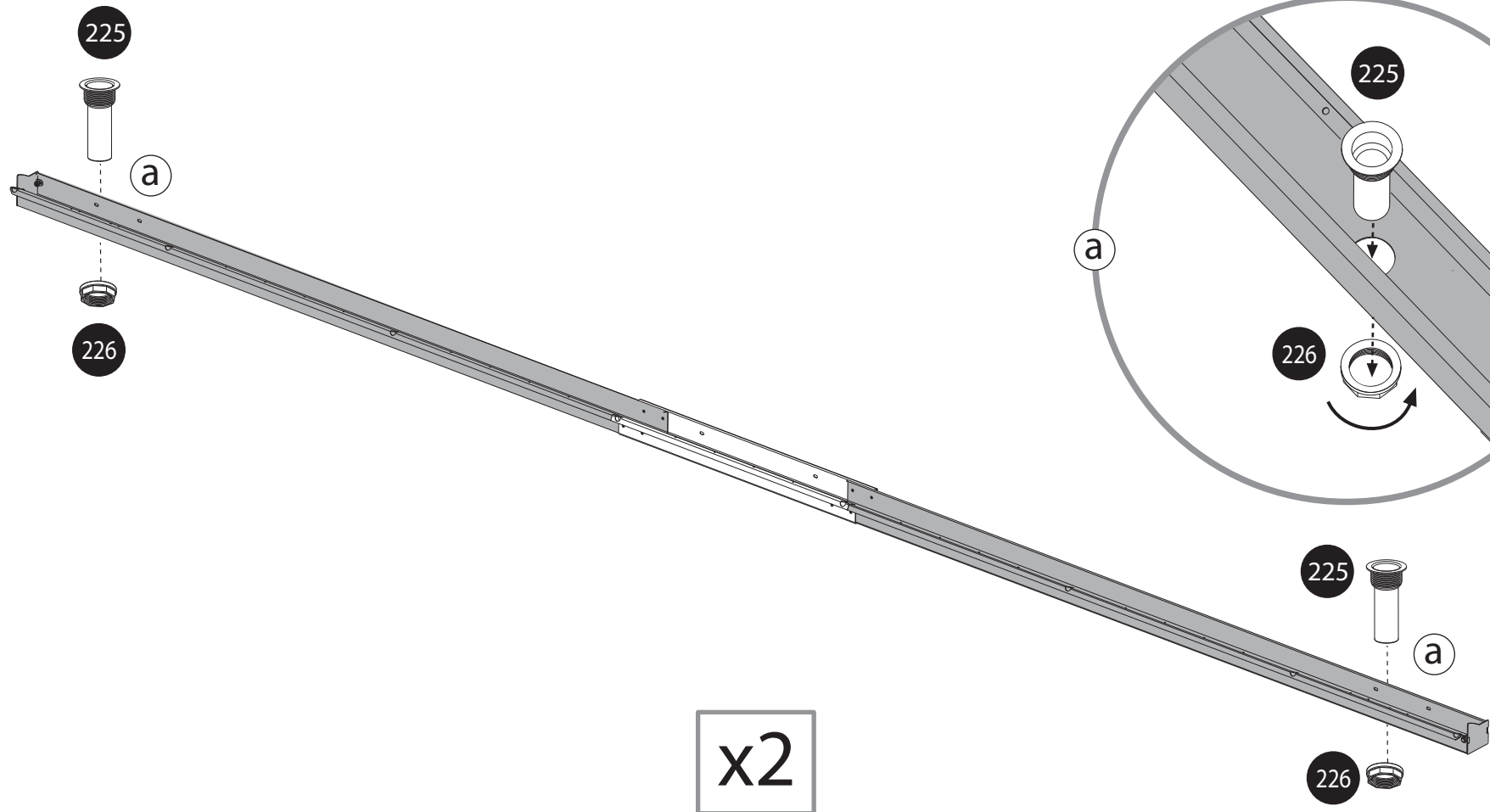
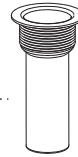
3



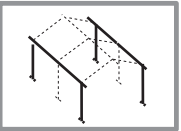
226 ..... x4



225 ..... x4







416



x24

466

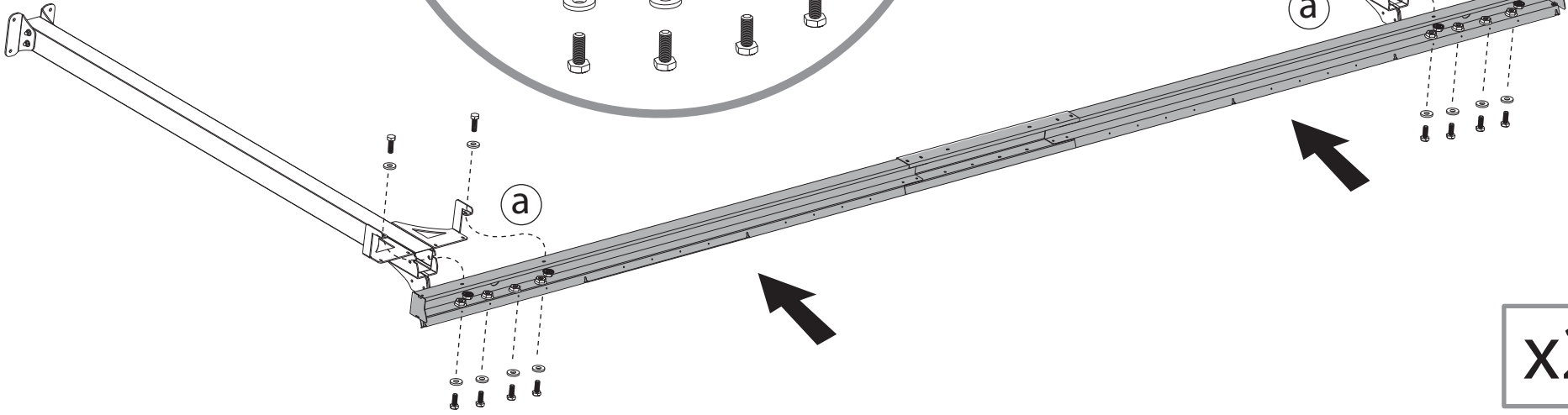
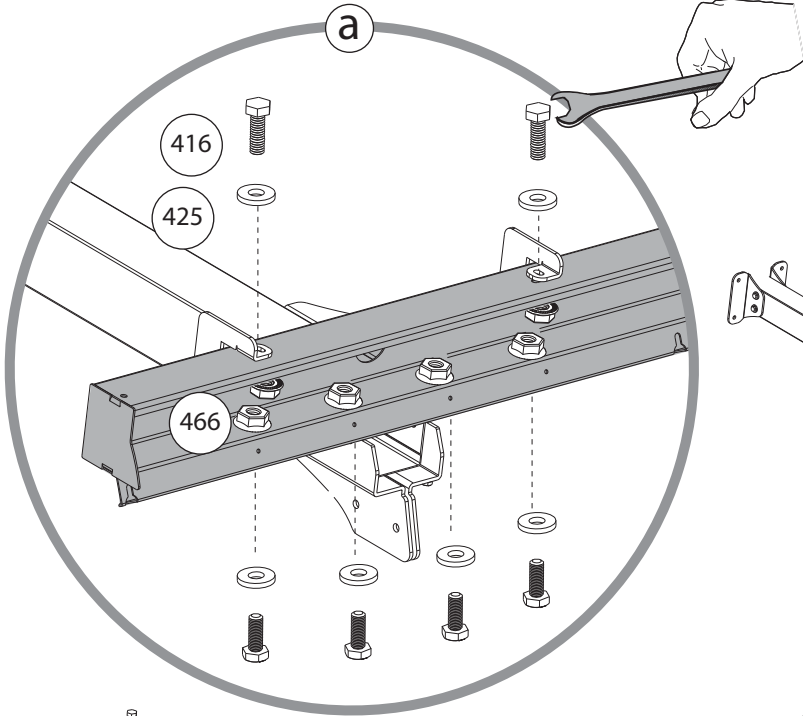
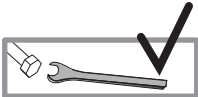


x24

425

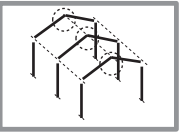


x24



X2

x2



931 ..... x3

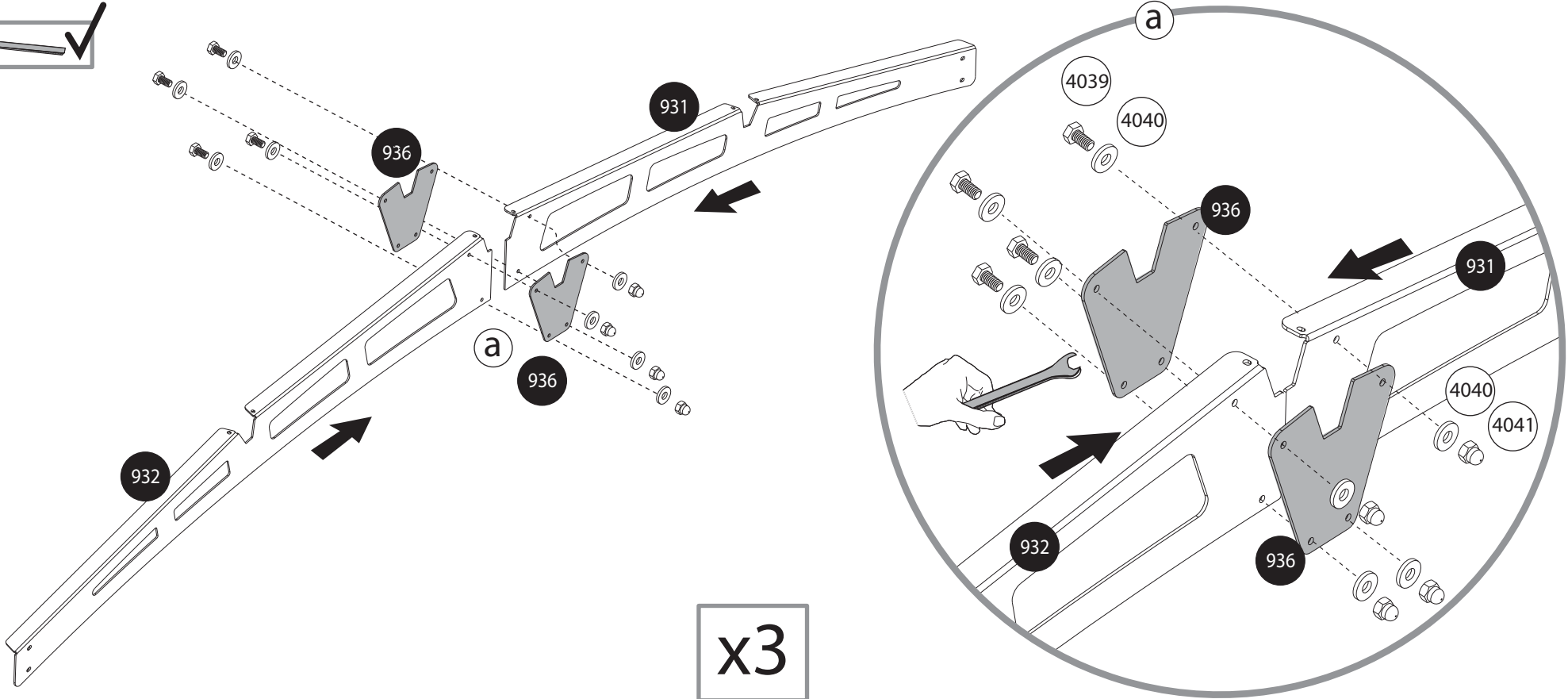
936 ..... x6

4039 ..... x12

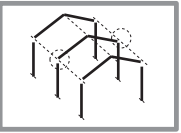
932 ..... x3

4040 ..... x24

4041 ..... x12



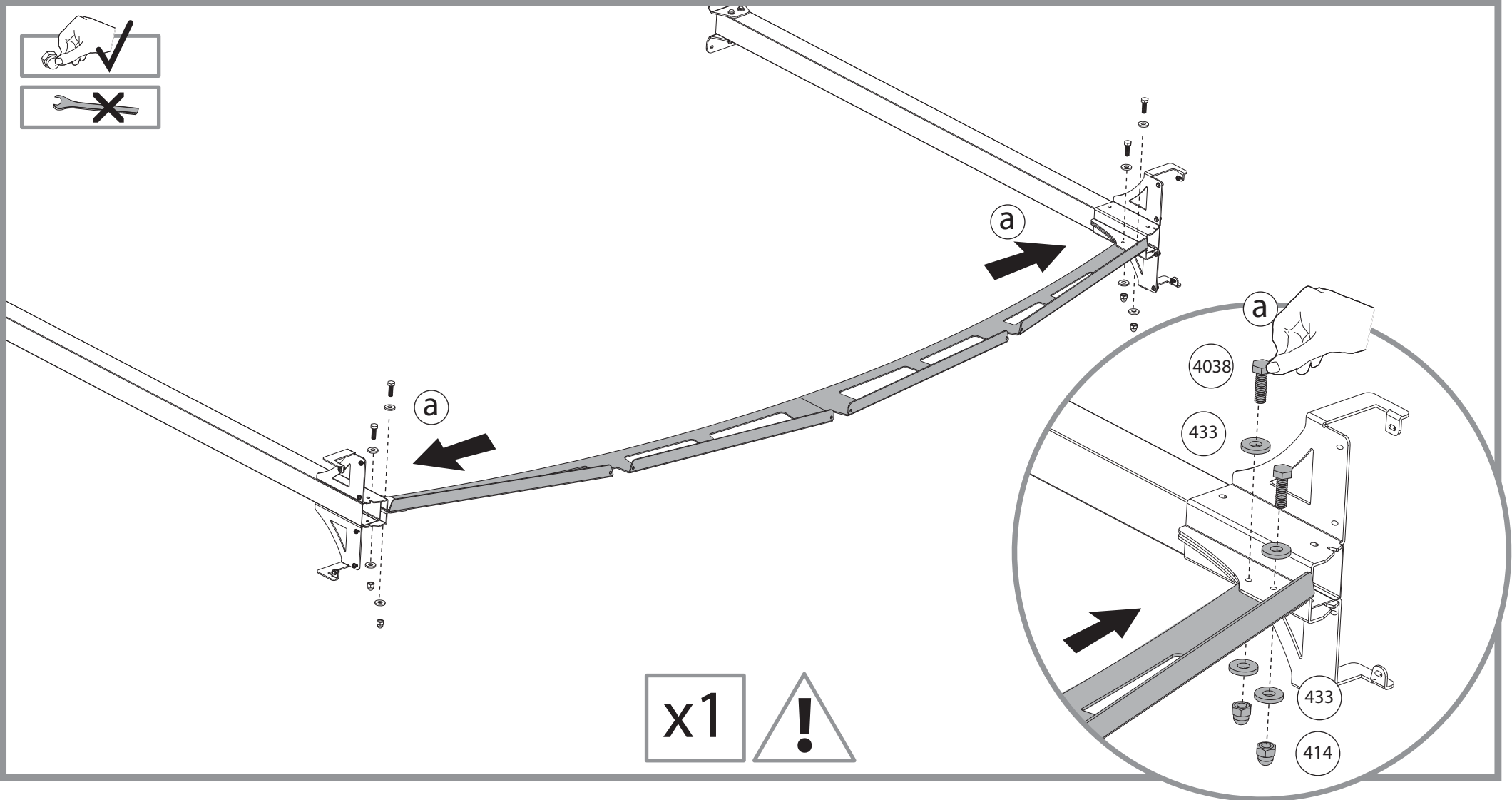
x3



4038 ..... x4

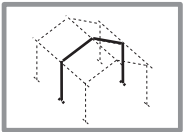
433 ..... x8


414 ..... x4

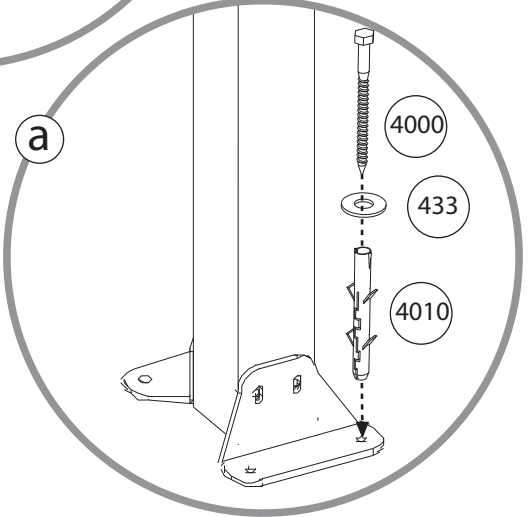
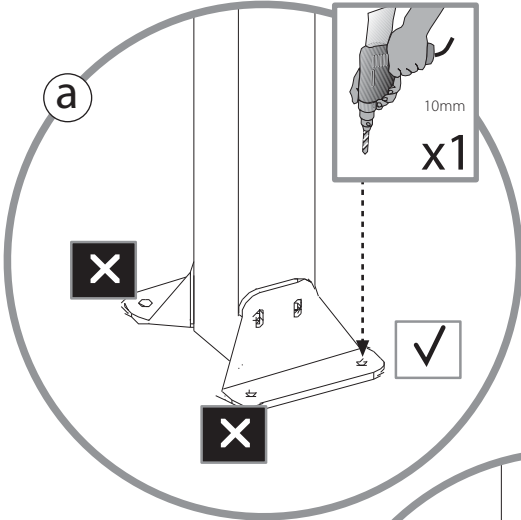
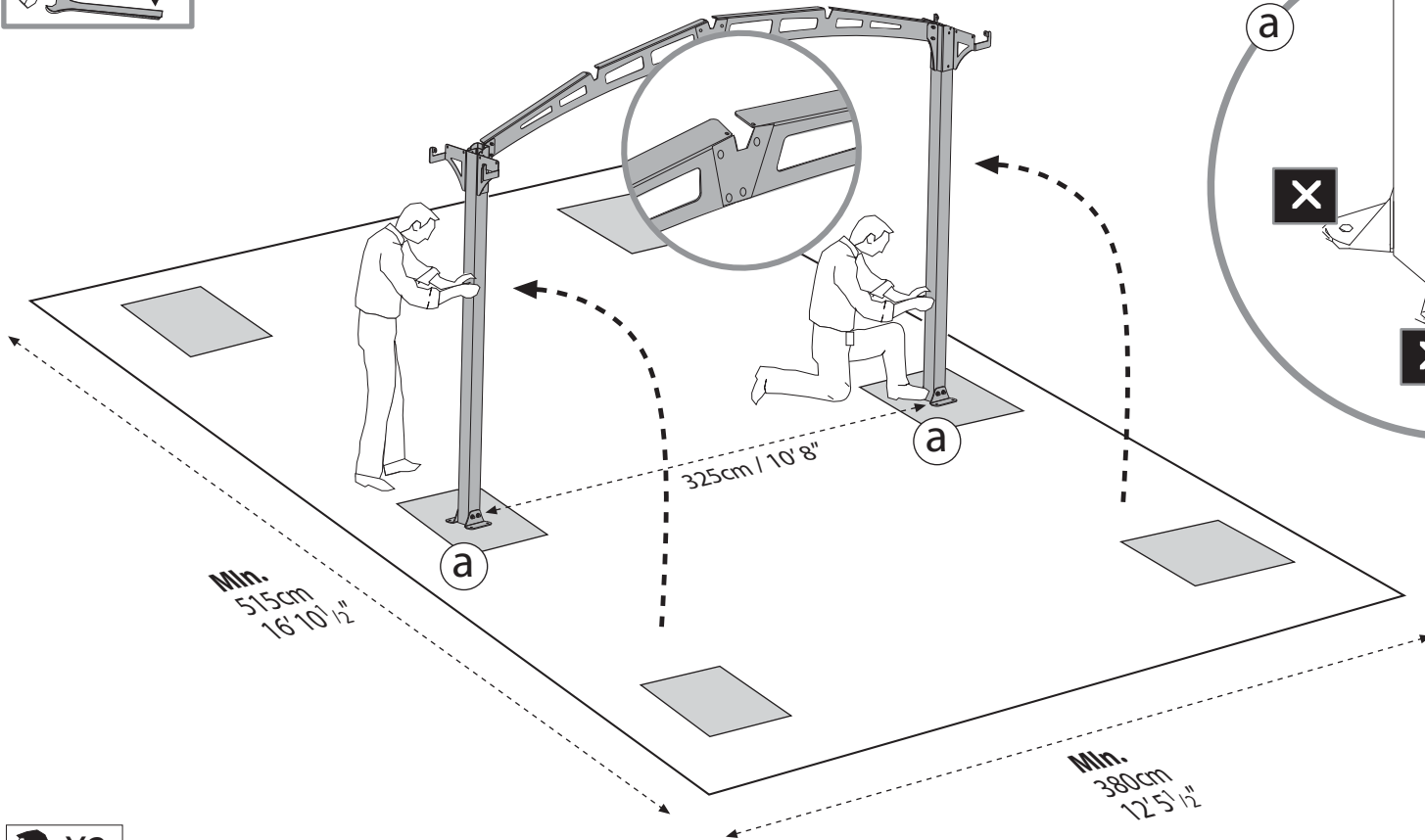
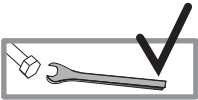


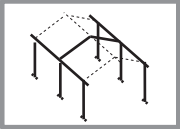
x1





- 433 .....  ..... x2
- 4010 .....  ..... x2
- 4000 .....  ..... x2





416



x12

466

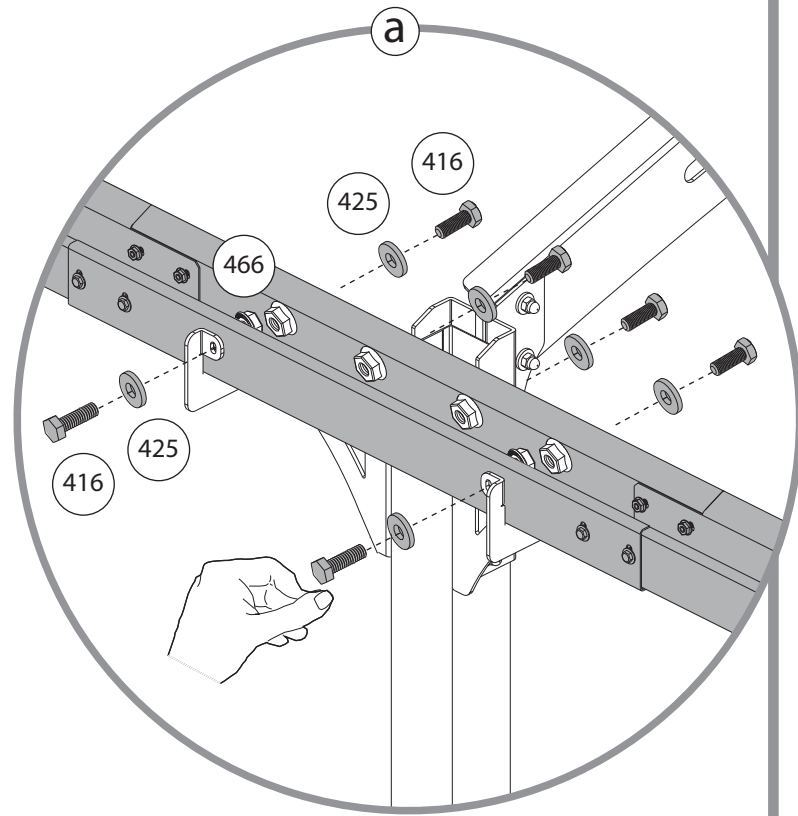
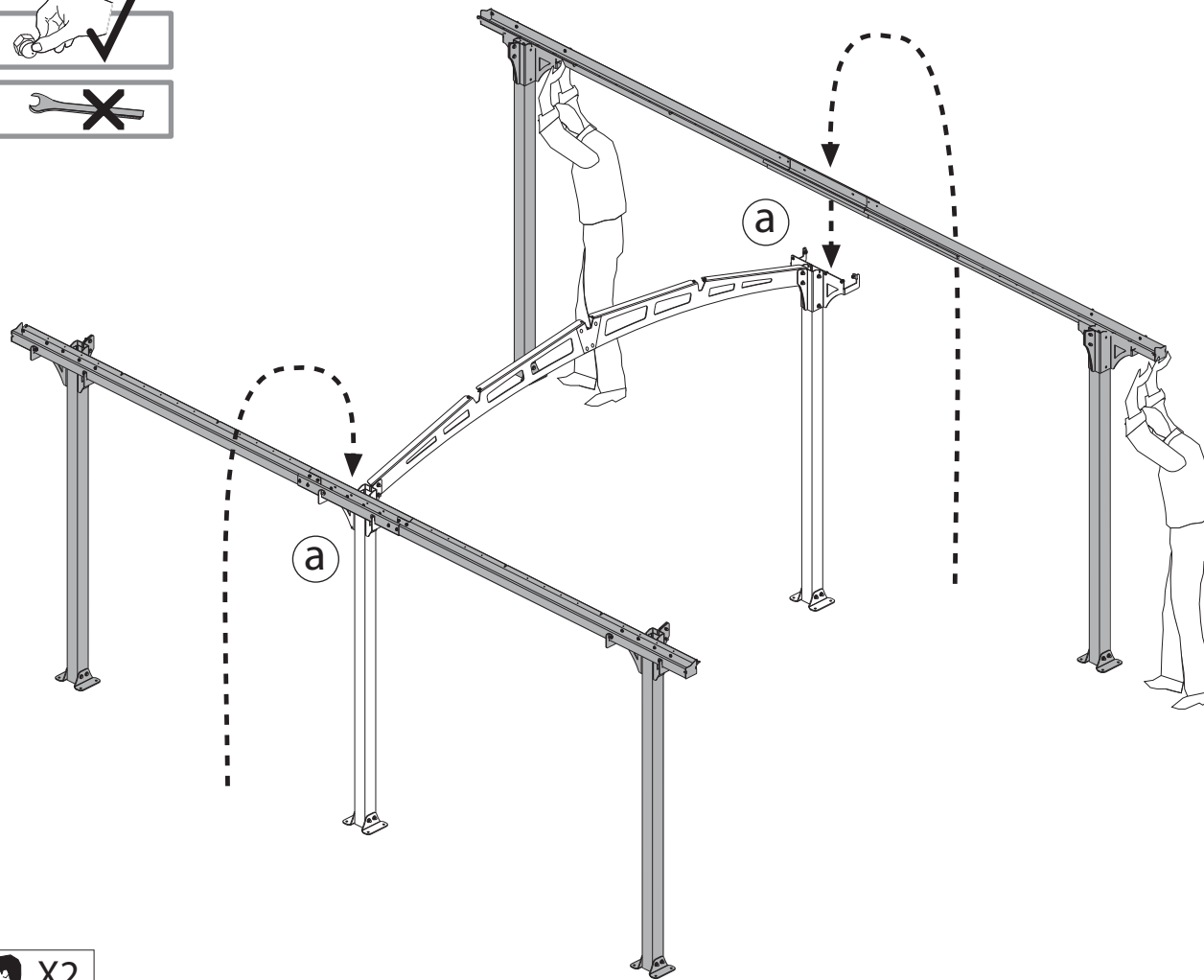
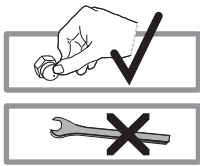


x12

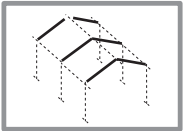
425



x12



X2



4038



x8

433

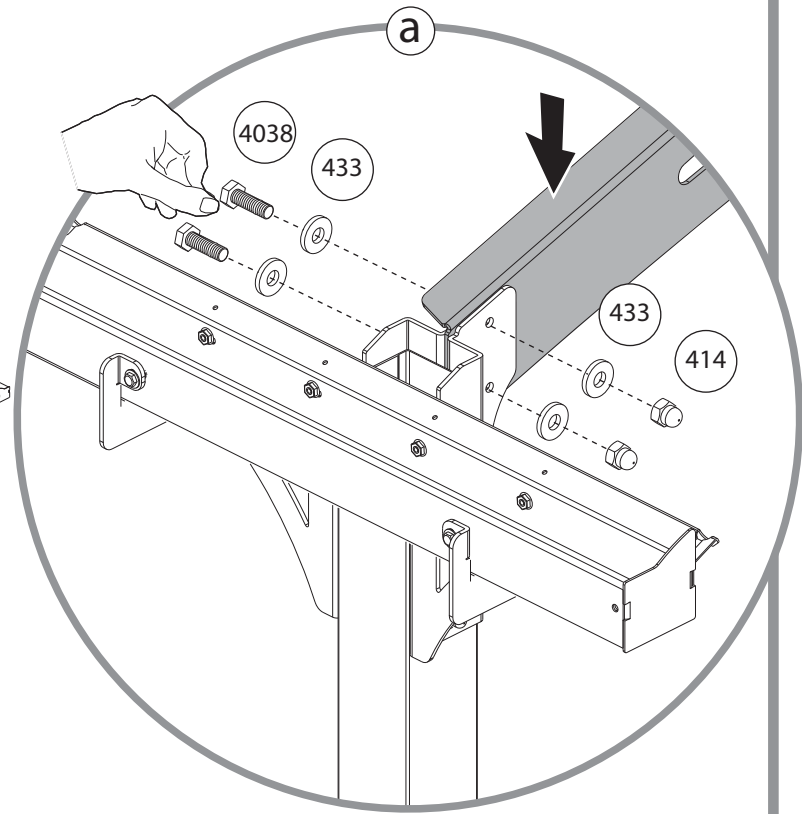
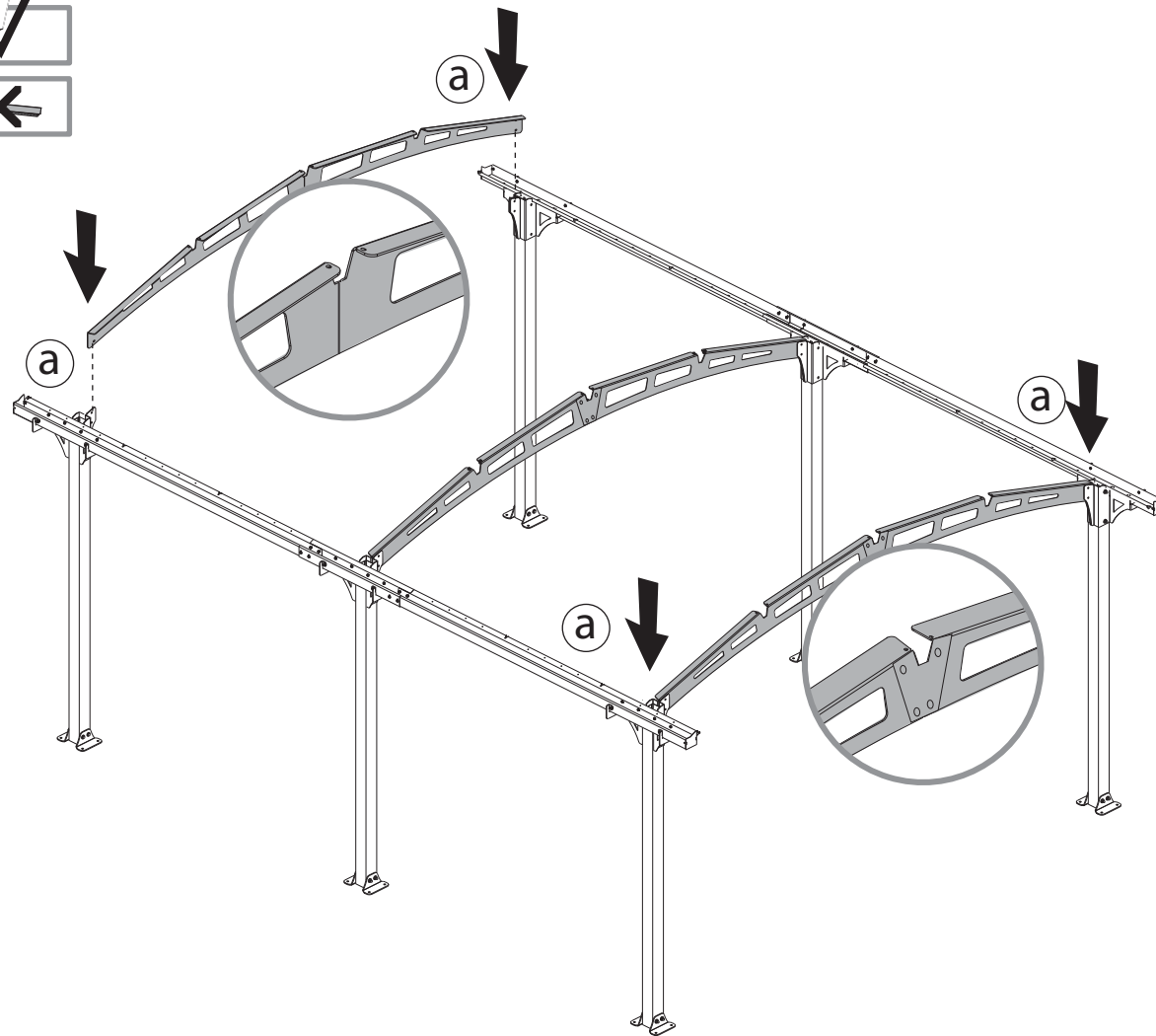
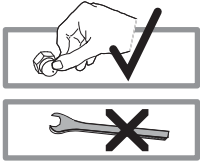


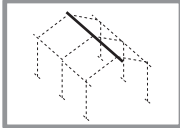
x16

414



x8





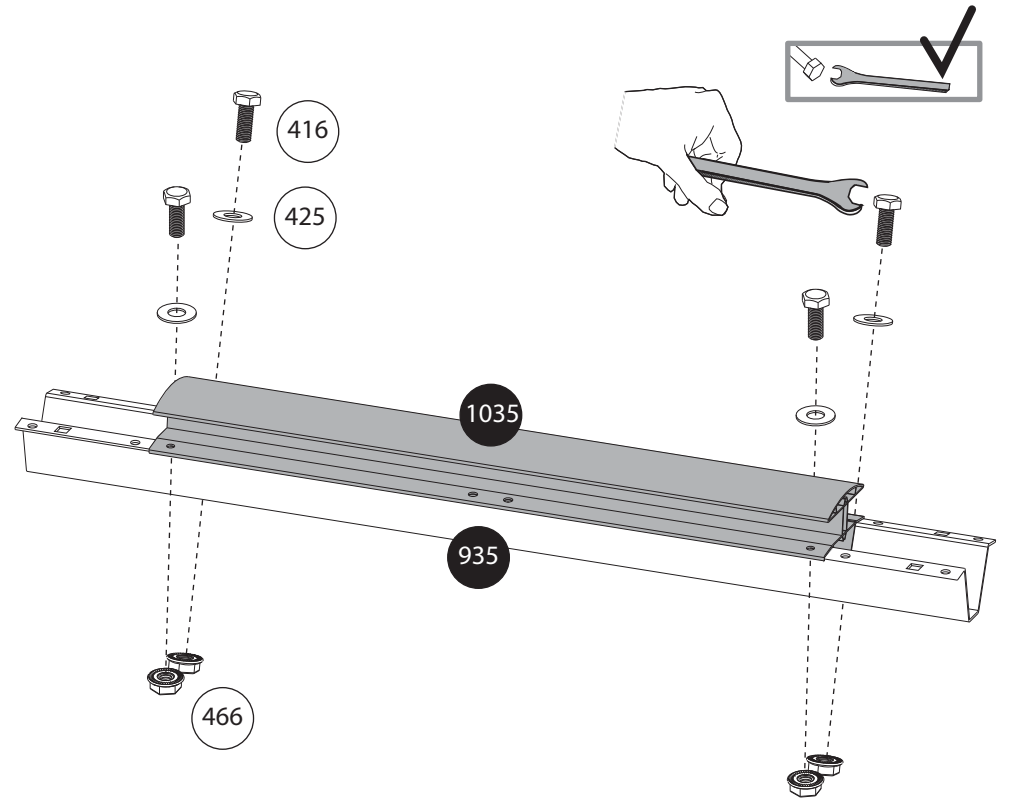
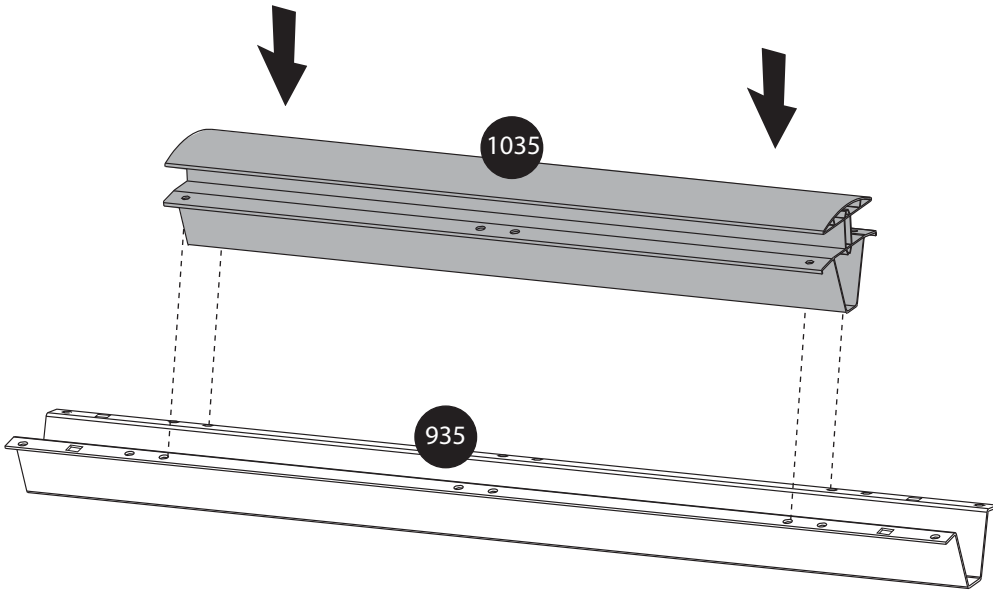
1035 ..... x1

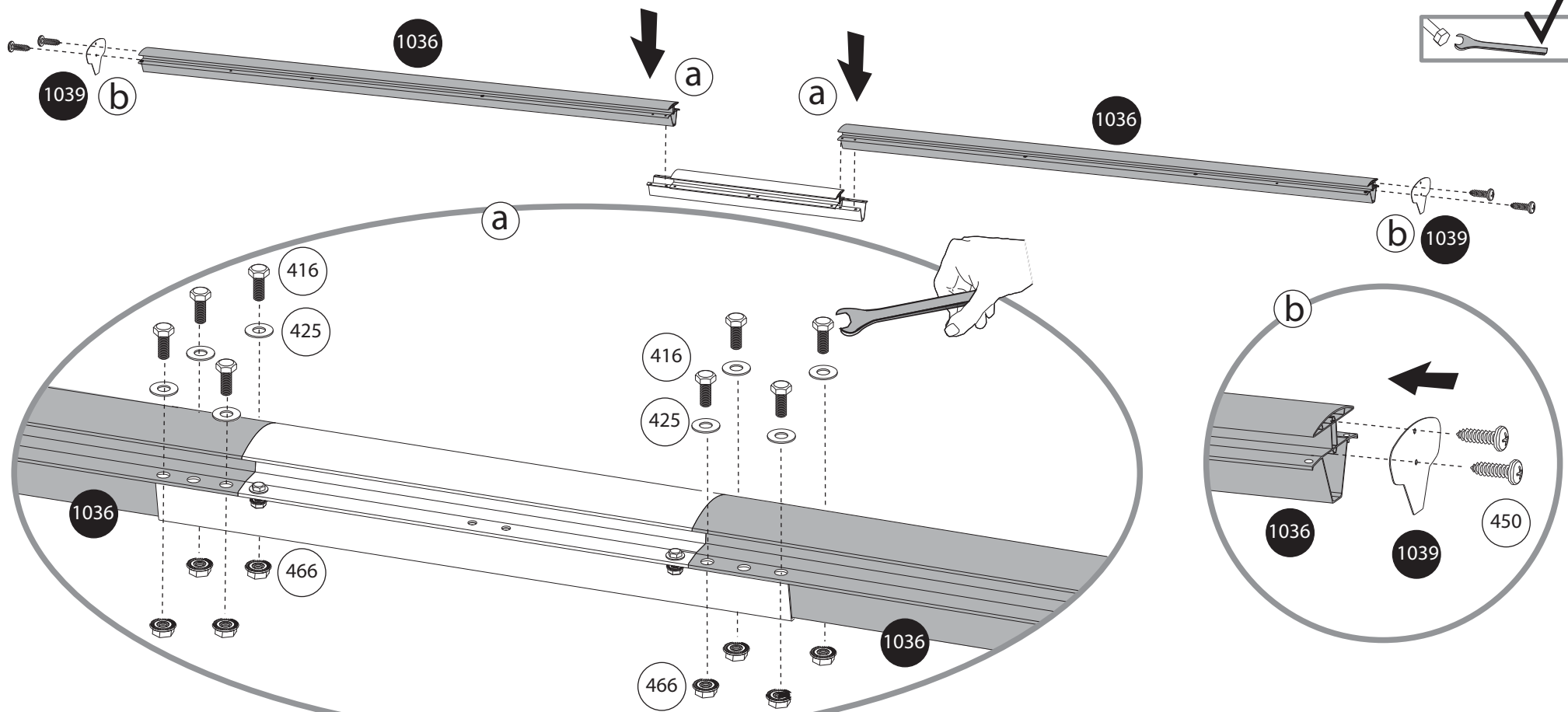
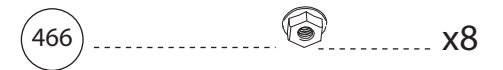
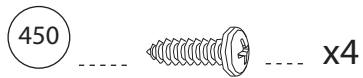
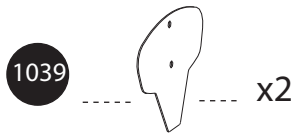
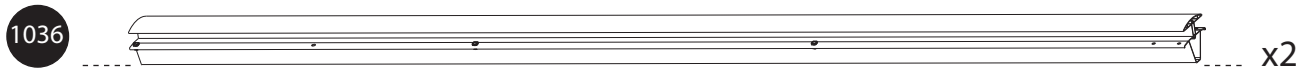
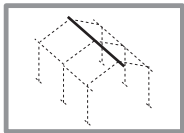
935 ..... x1

416 ..... x4

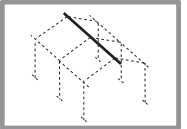
425 ..... x4

466 ..... x4

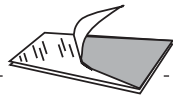




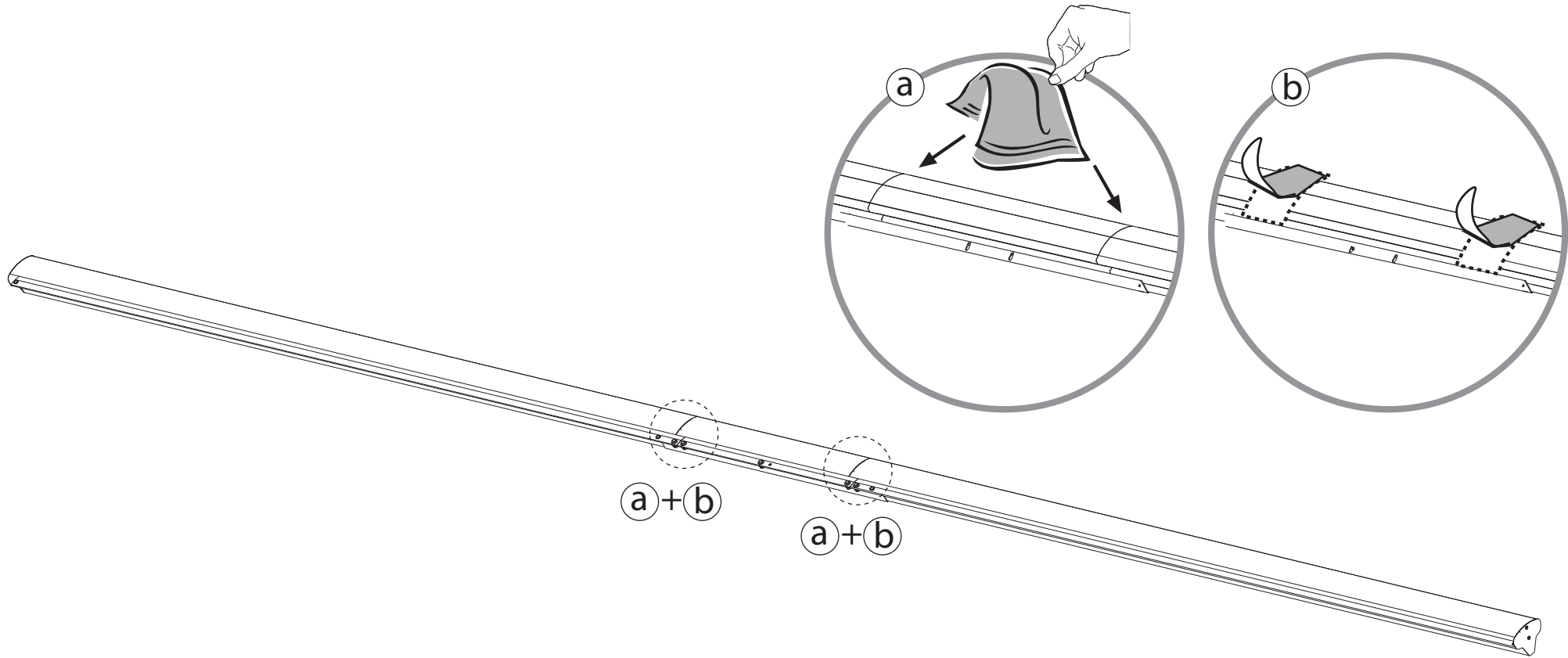


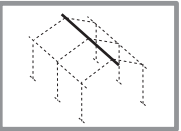


54

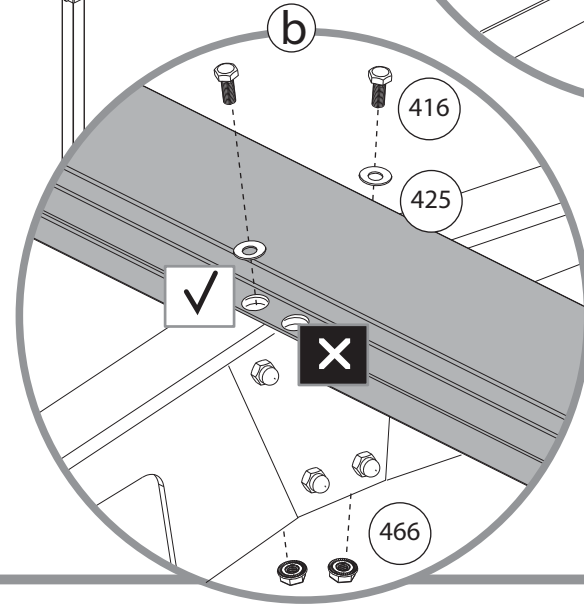
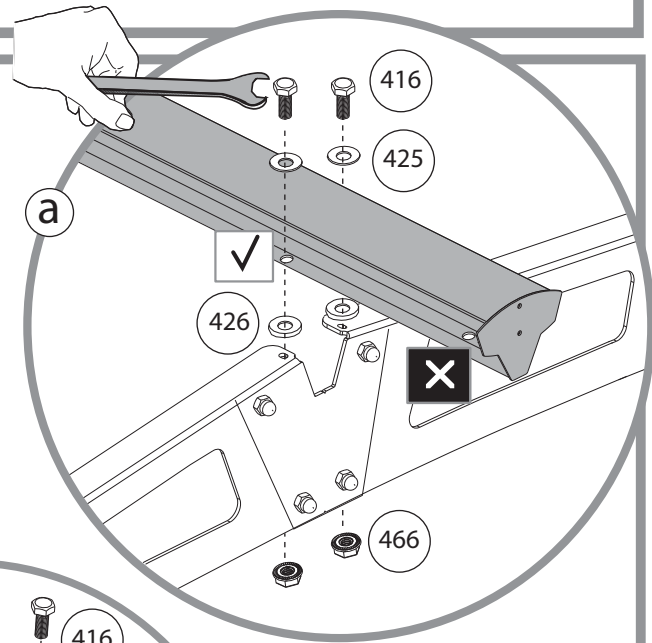
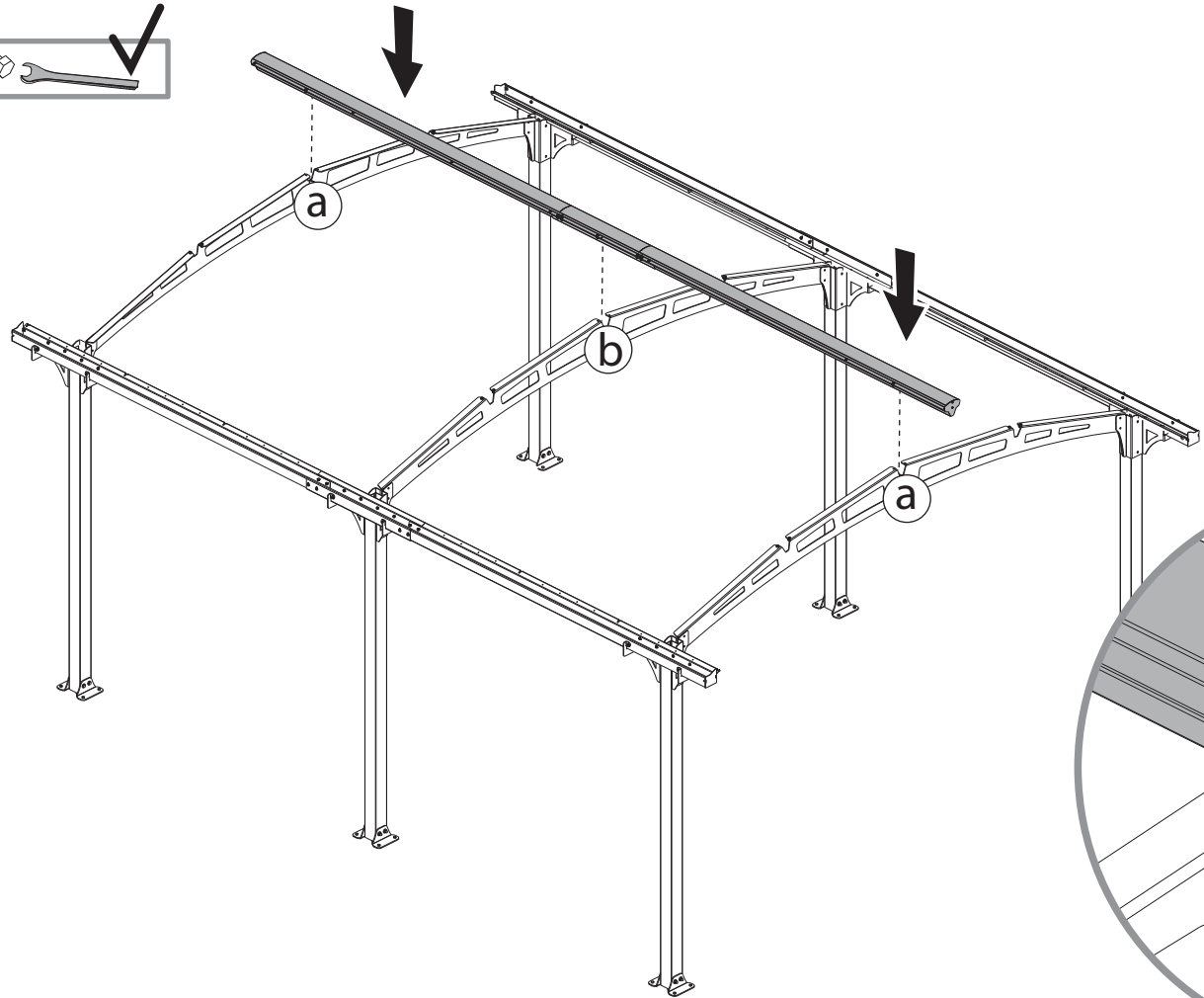
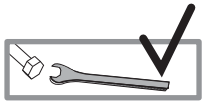


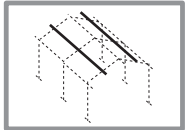
x2





- 416 ..... x6
- 466 ..... x6
- 425 ..... x6
- 426 ..... x4





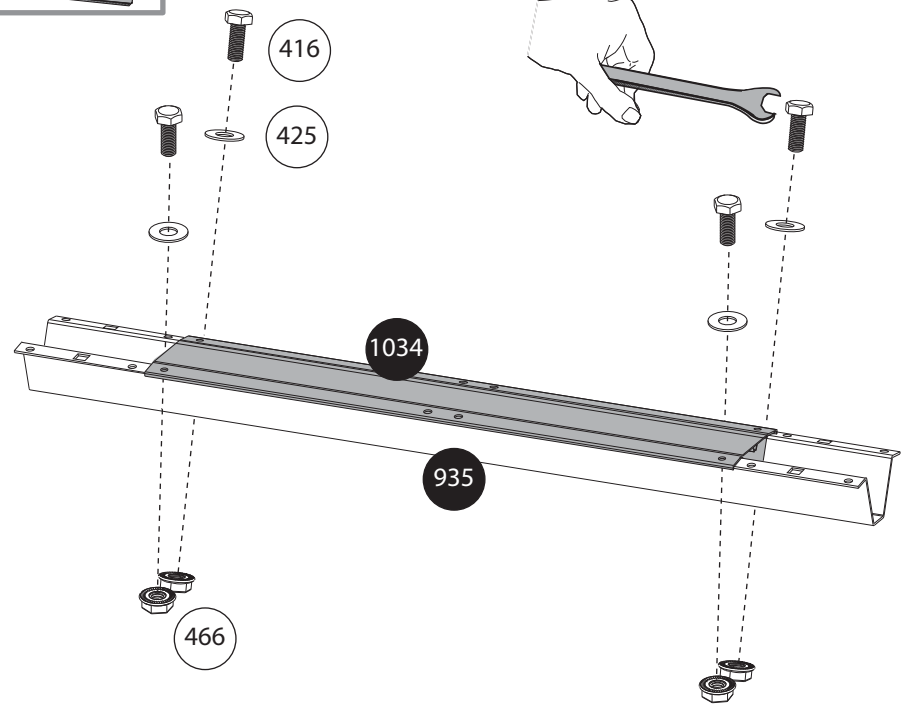
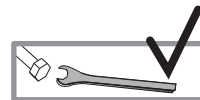
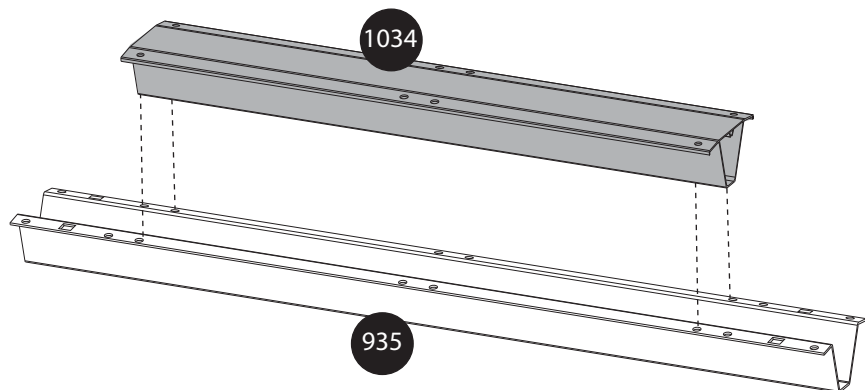
1034 ..... x2

935 ..... x2

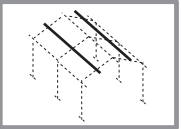
416 ..... x8

425 ..... x8

466 ..... x8



x2



1033 ..... x4

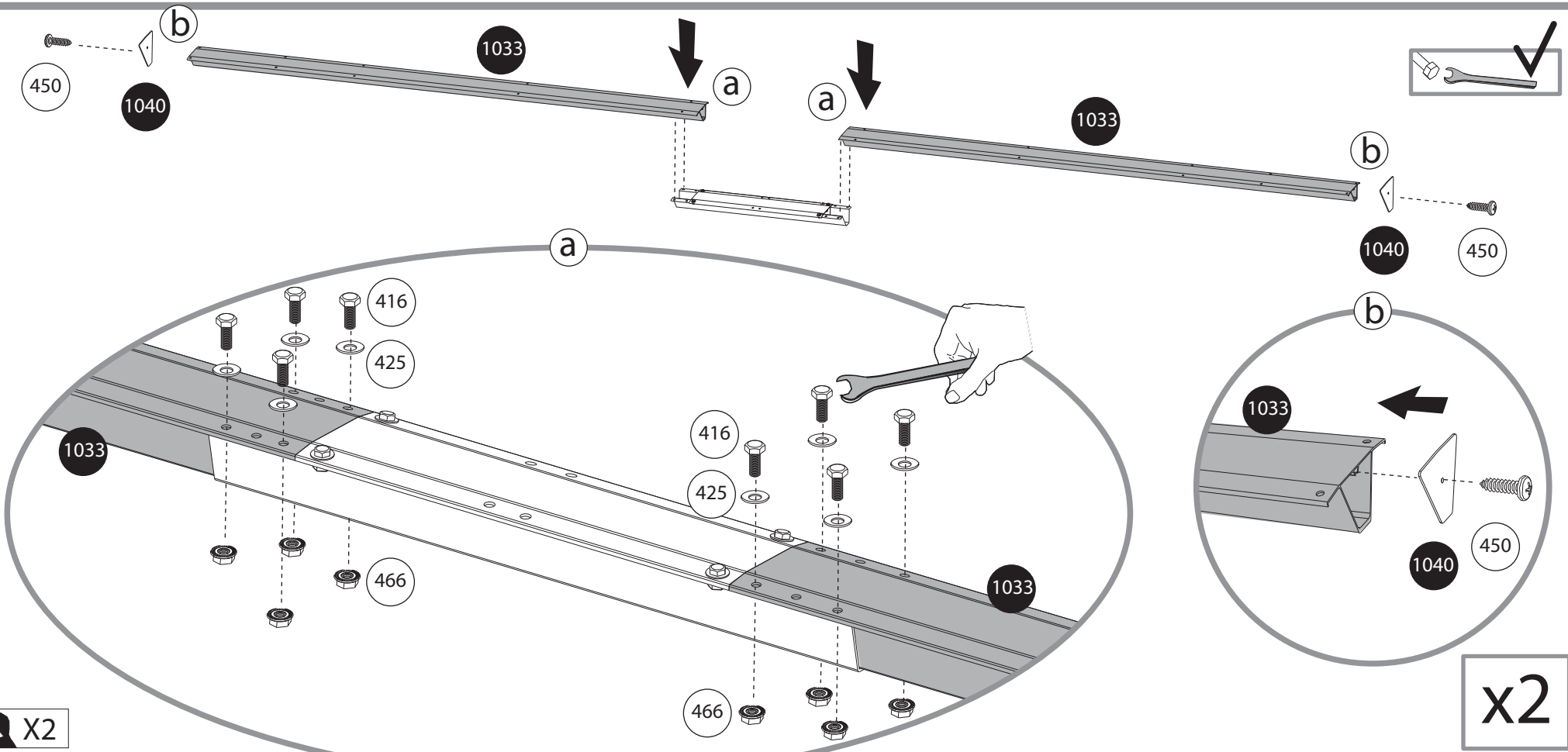
1040 ..... x4

450 ..... x4

416 ..... x16

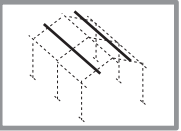
425 ..... x16

466 ..... x16



X2

x2

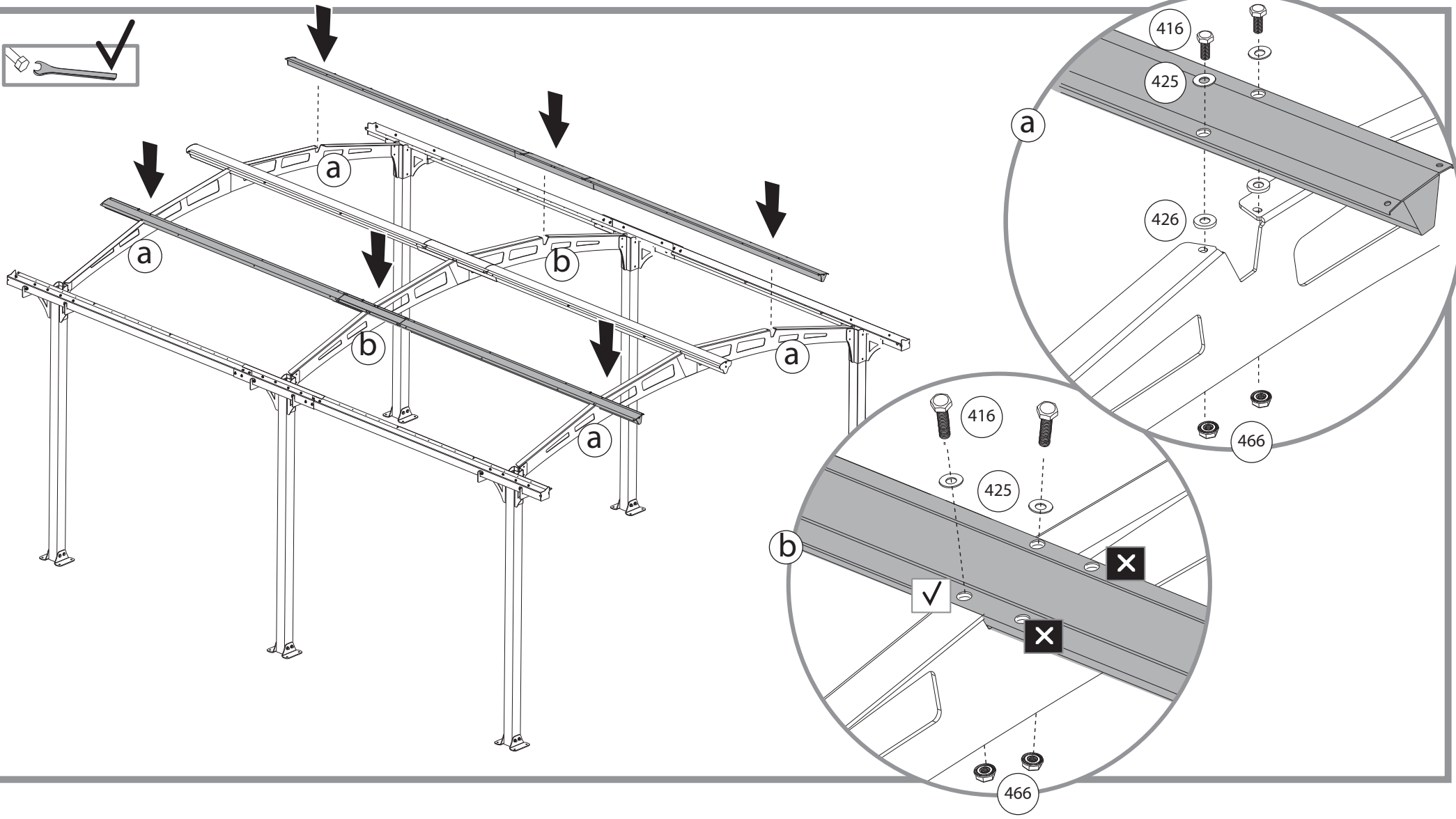


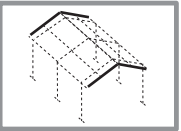
416 ..... x12

466 ..... x12

425 ..... x12

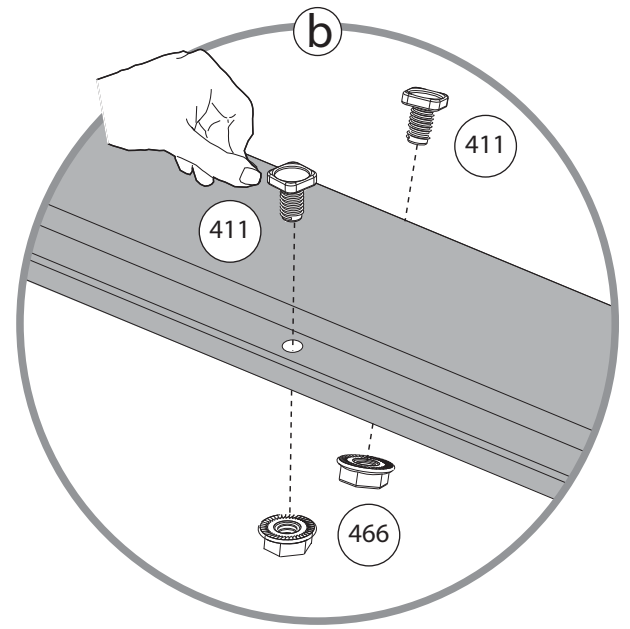
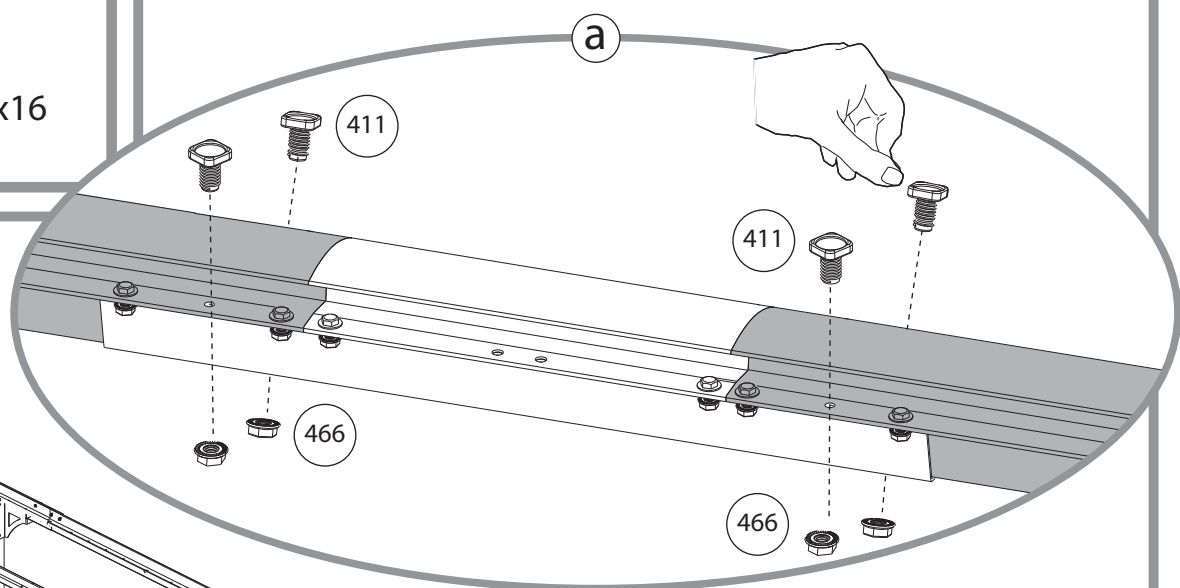
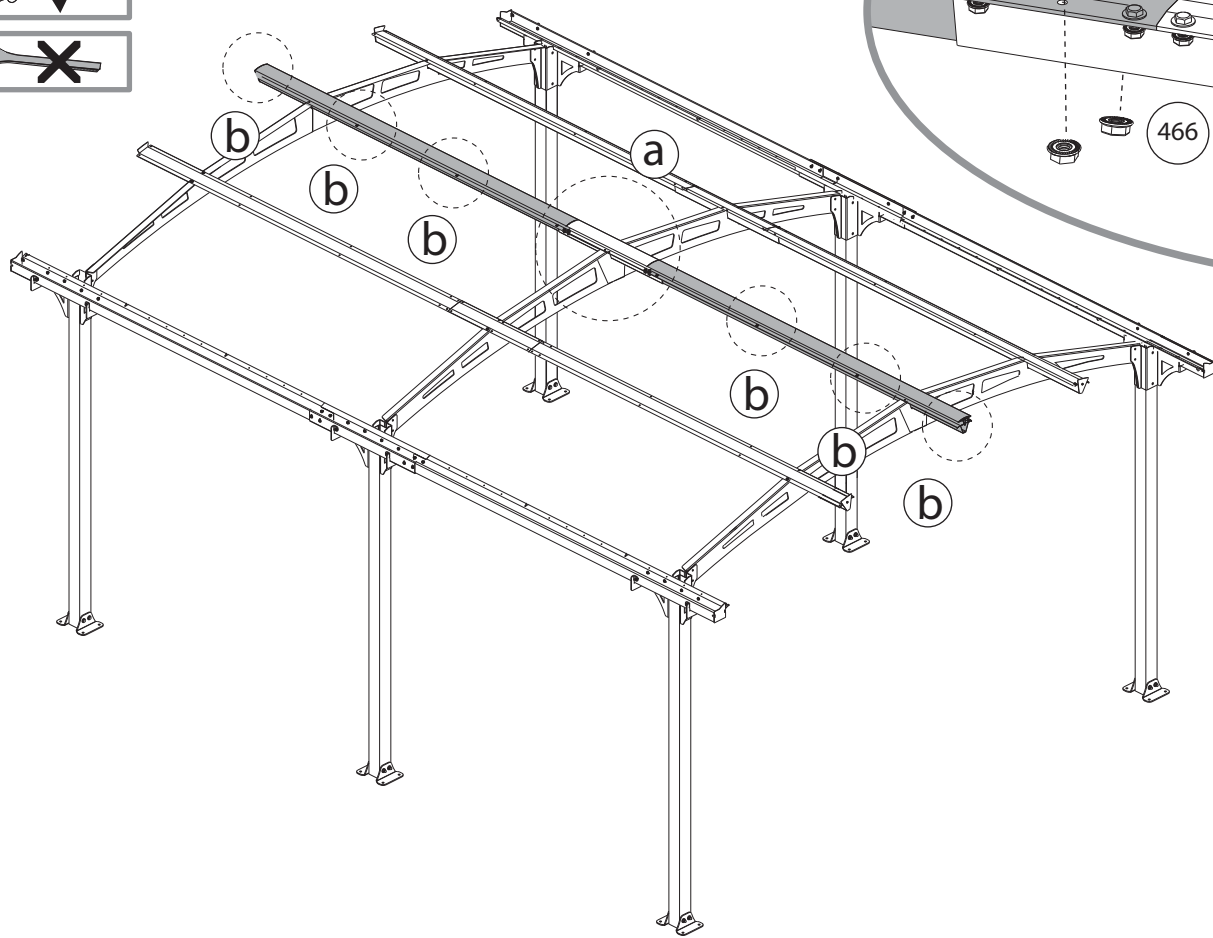
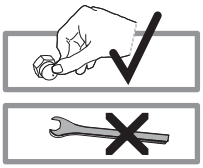
426 ..... x8

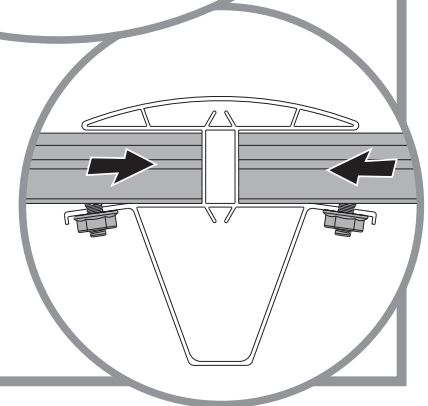
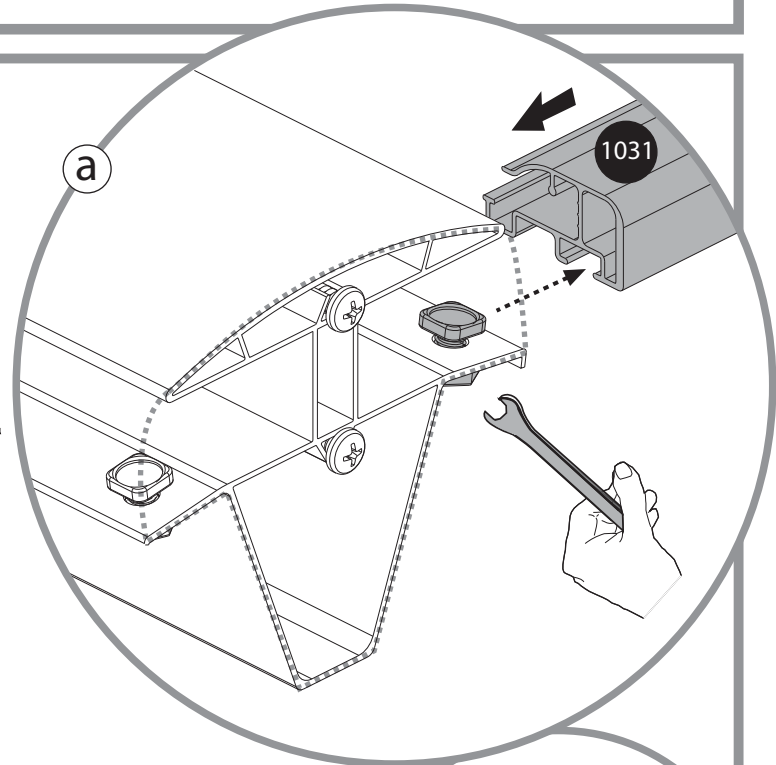
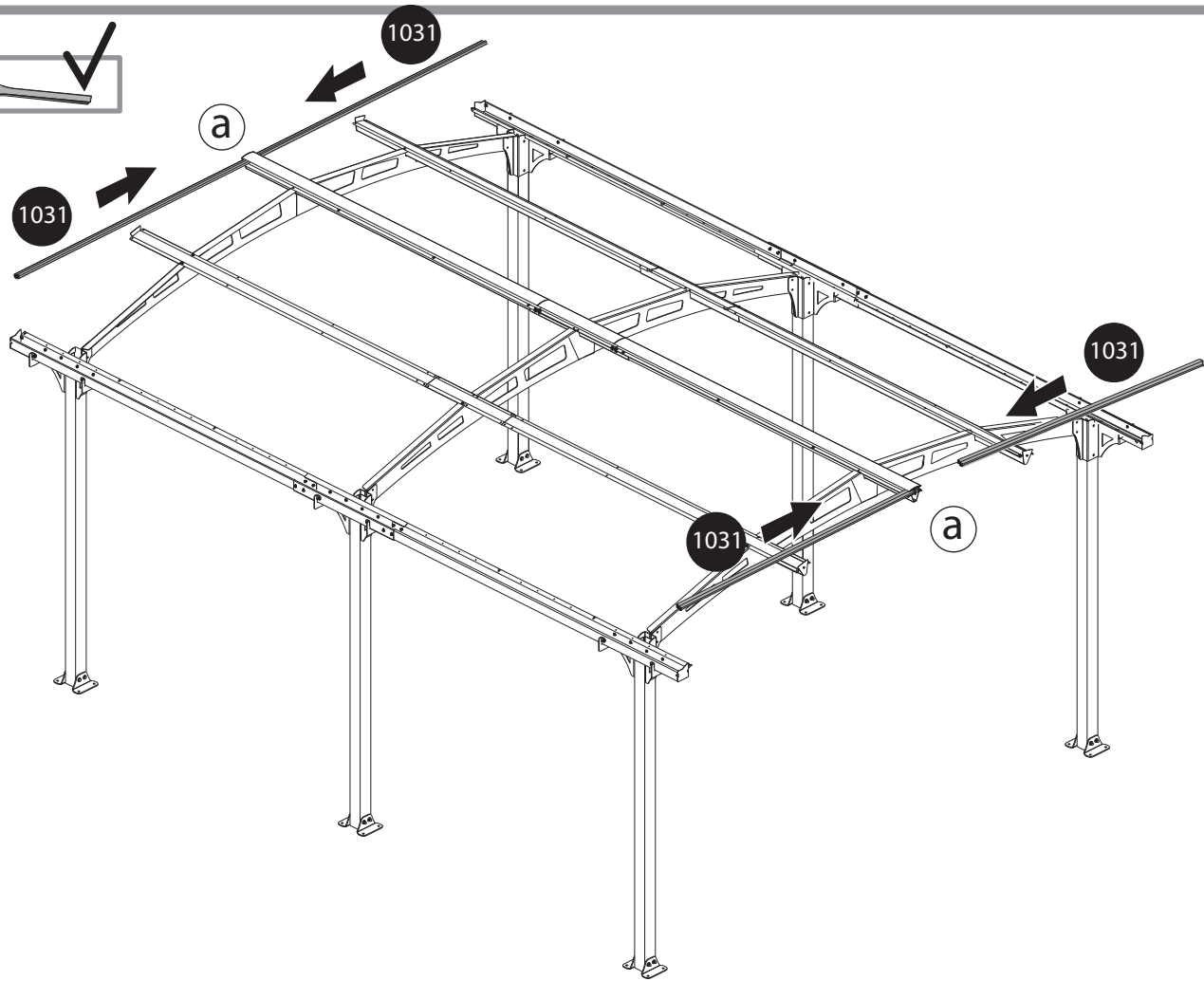
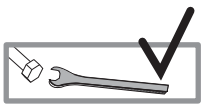
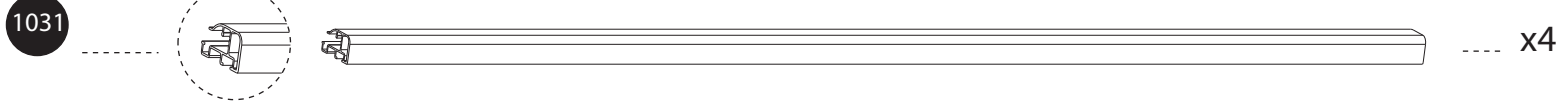
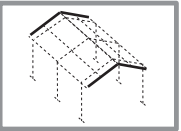


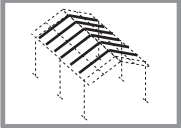


411 ..... x16

466 ..... x16



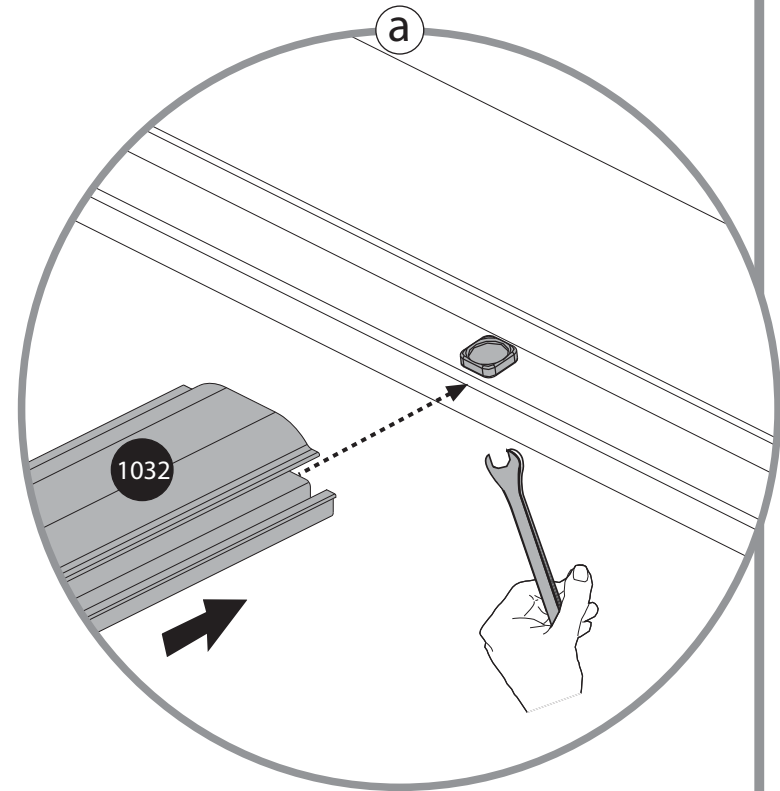
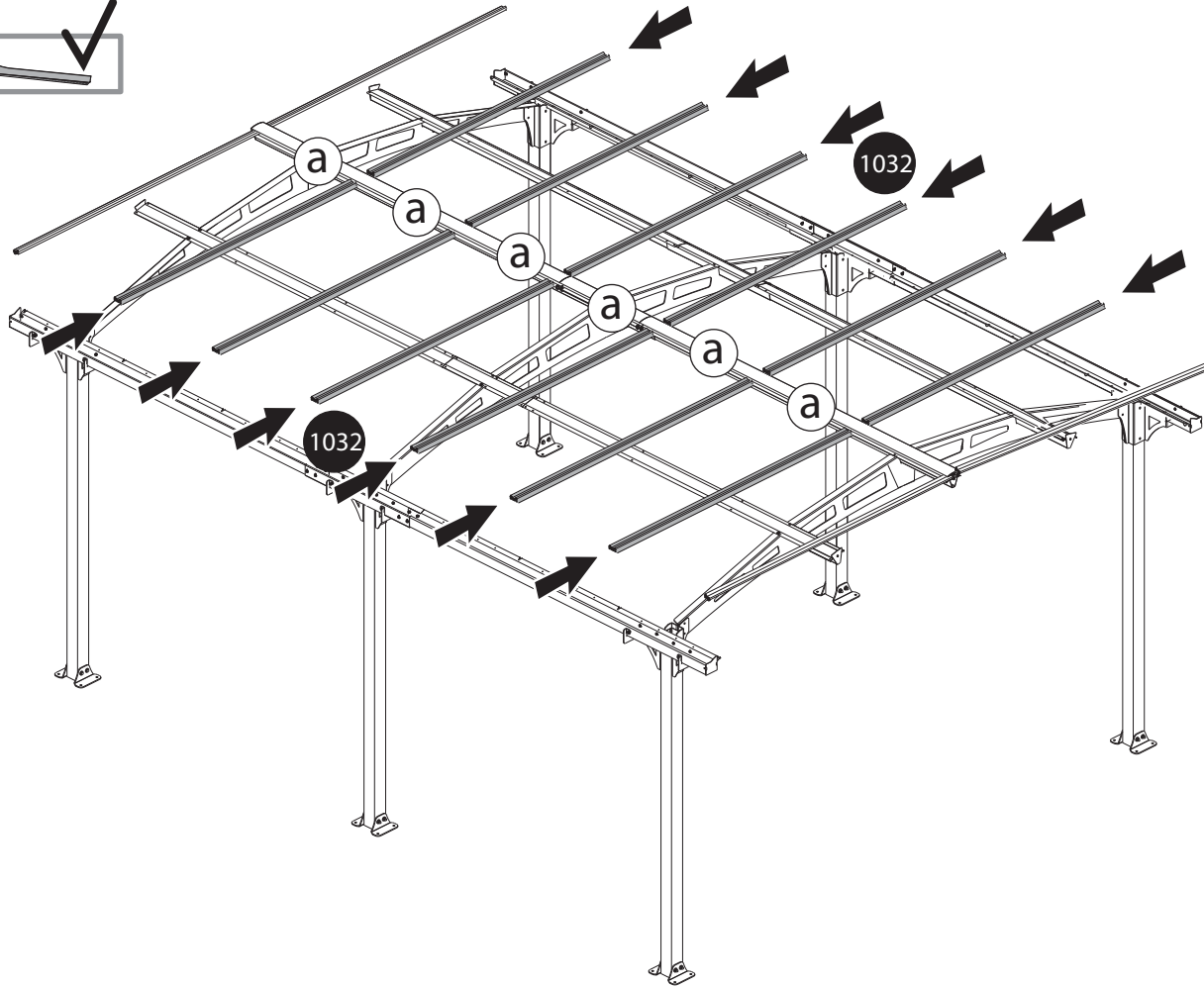
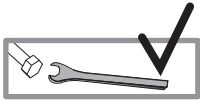




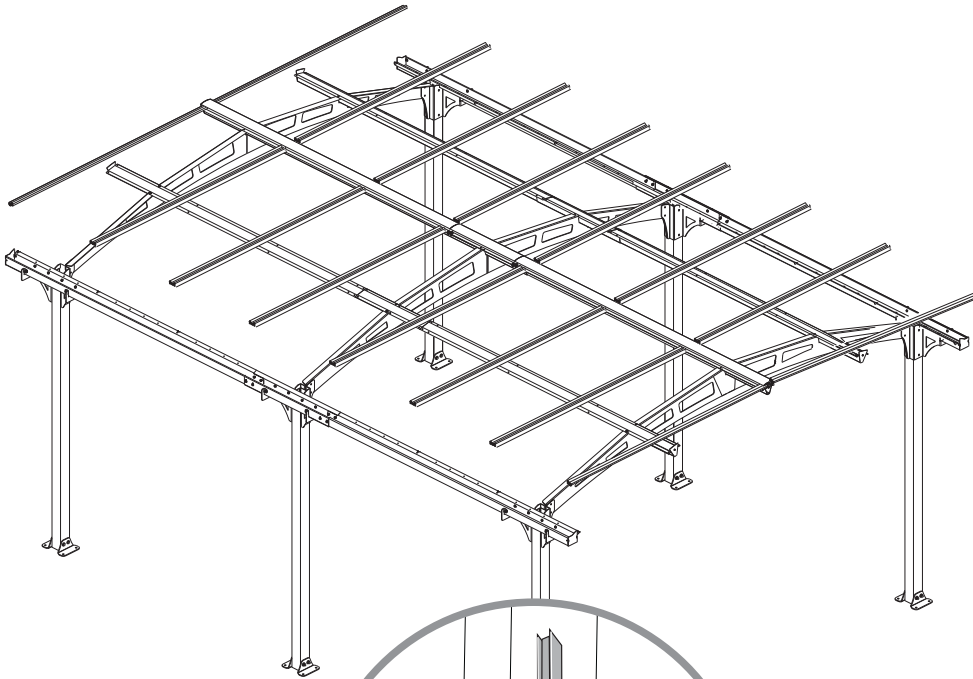
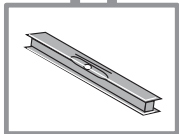
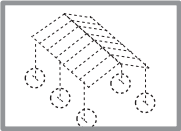
1032



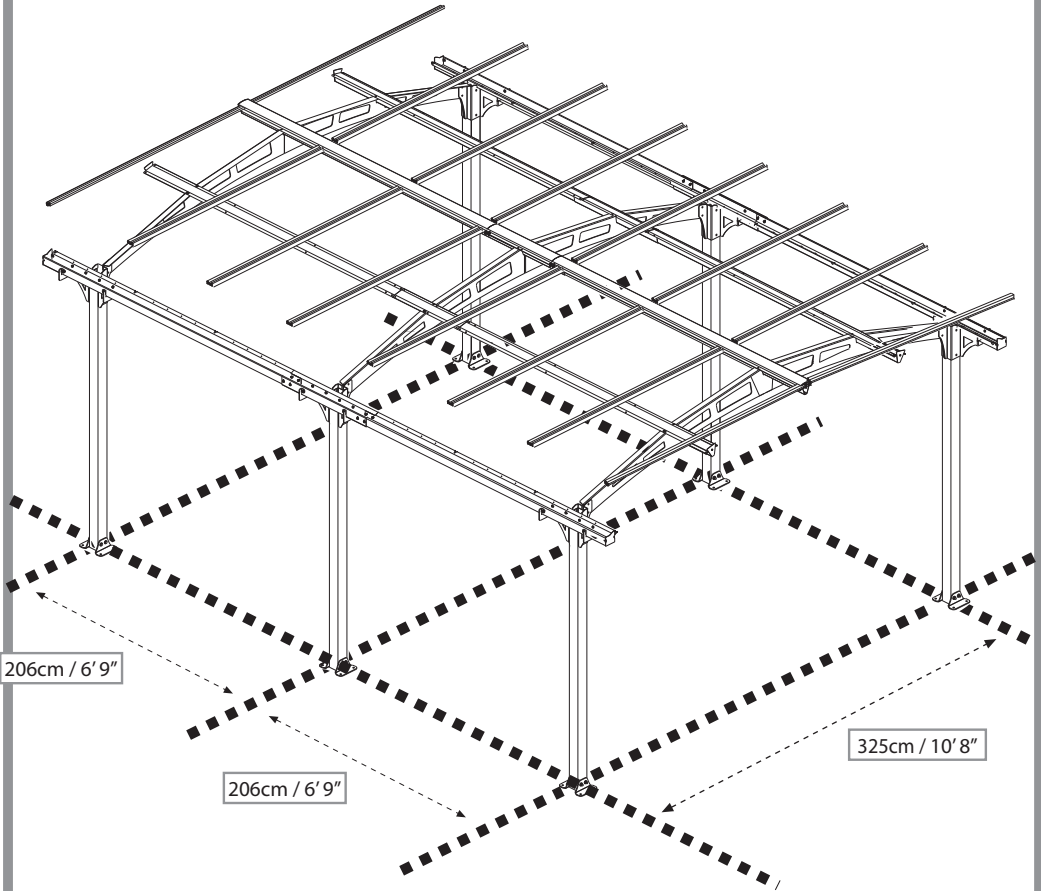
x12







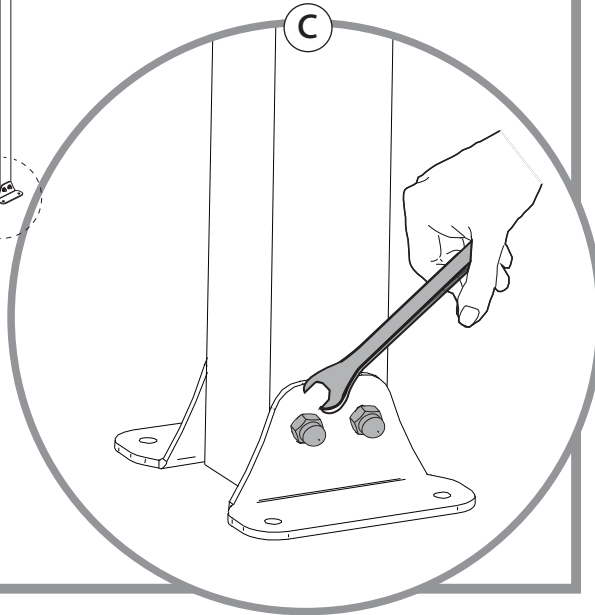
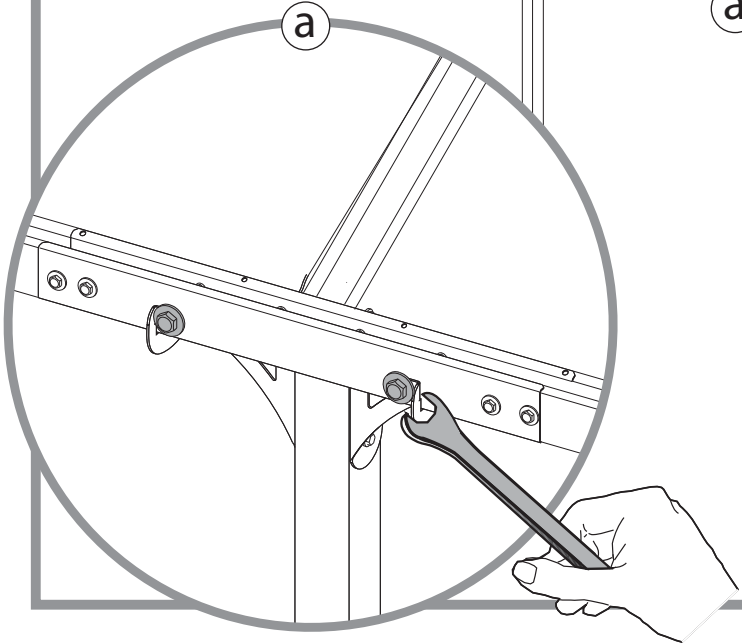
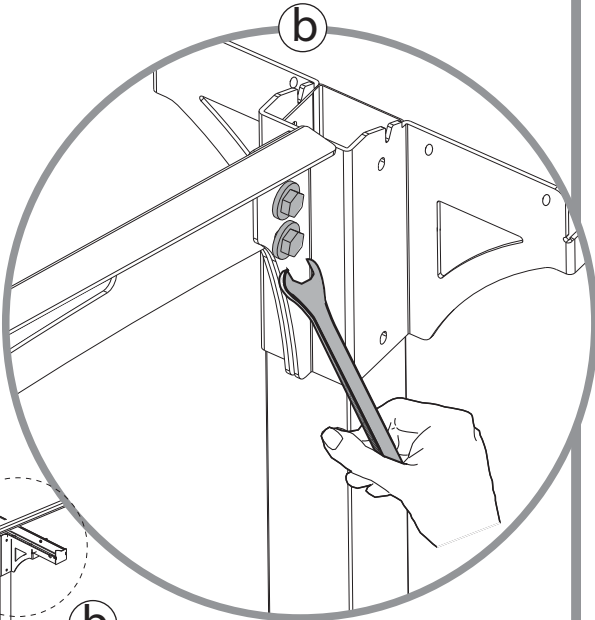
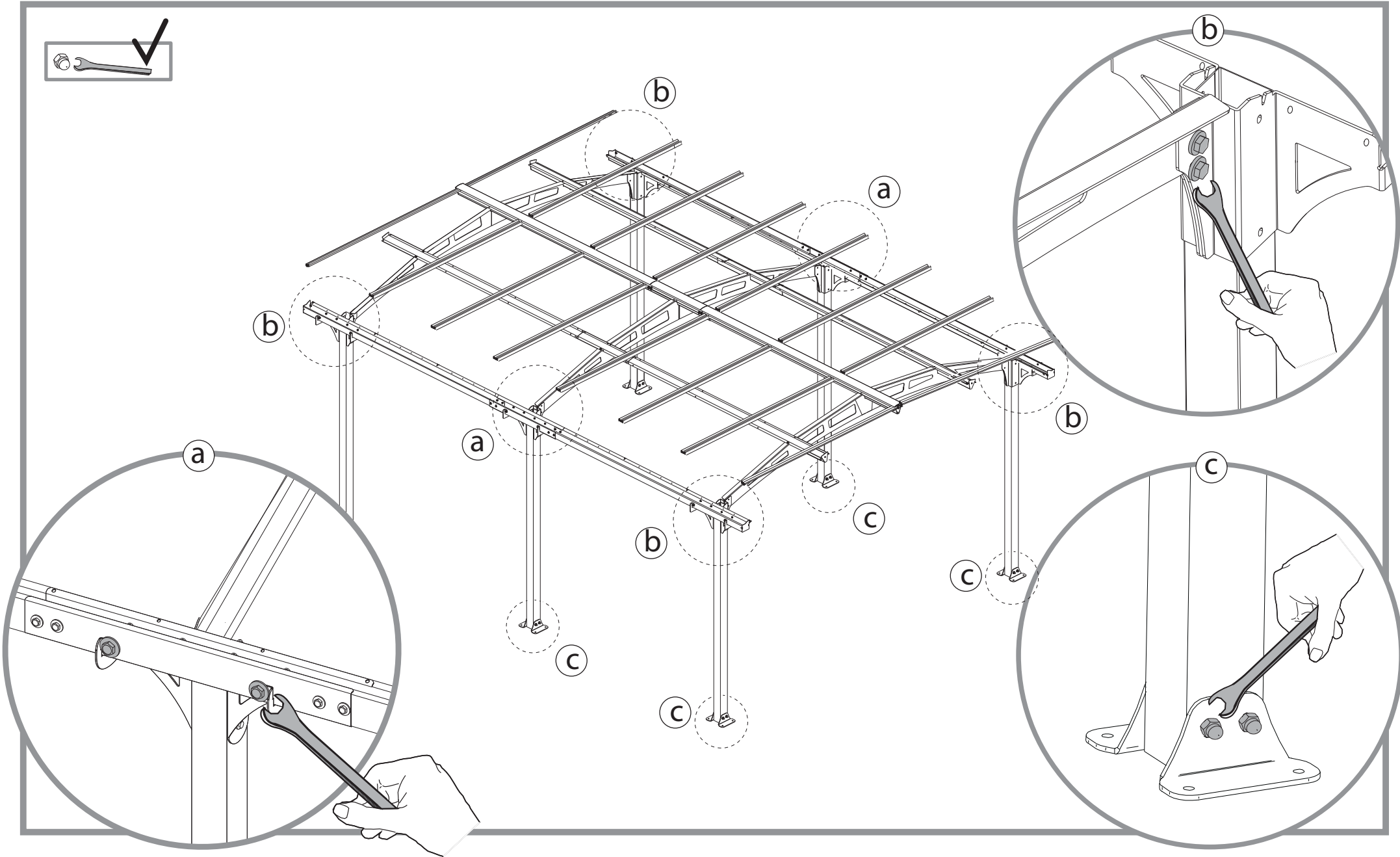
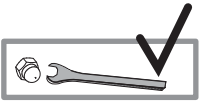
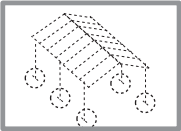
x6

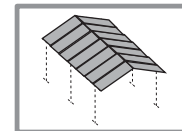


206cm / 6'9"

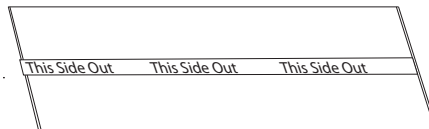
206cm / 6'9"

325cm / 10'8"

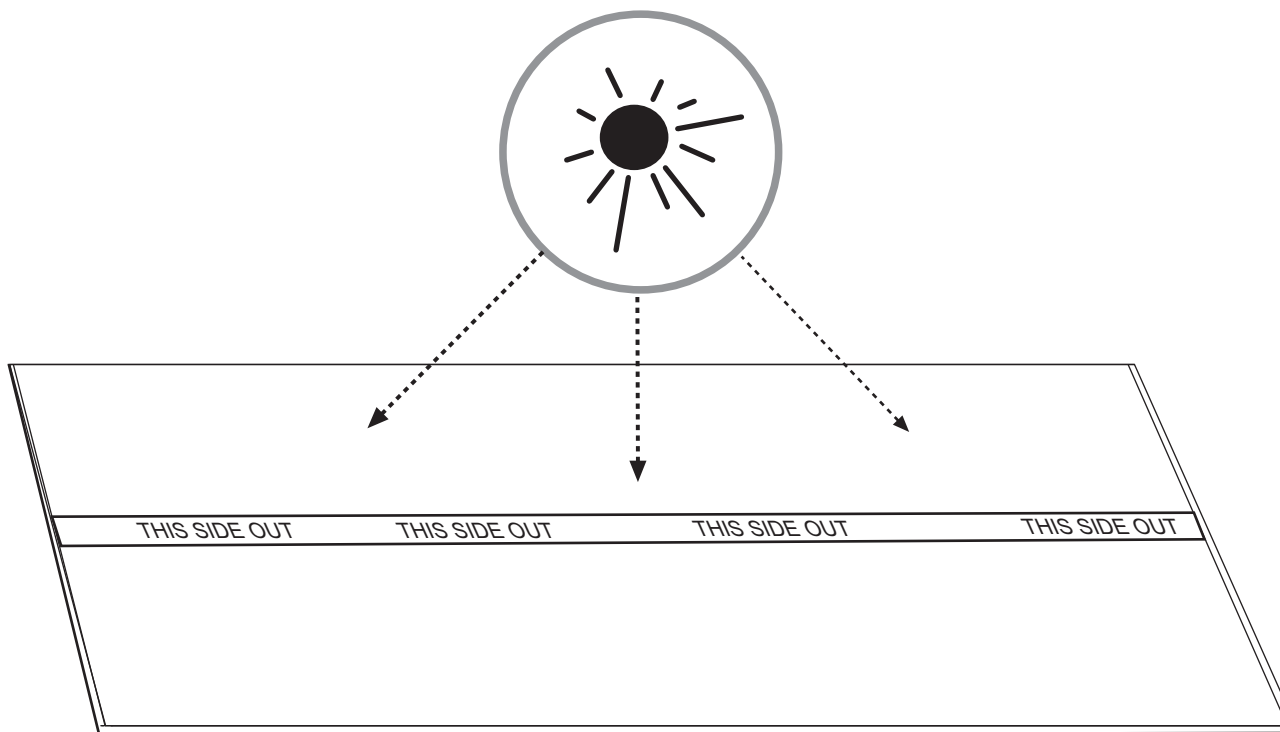




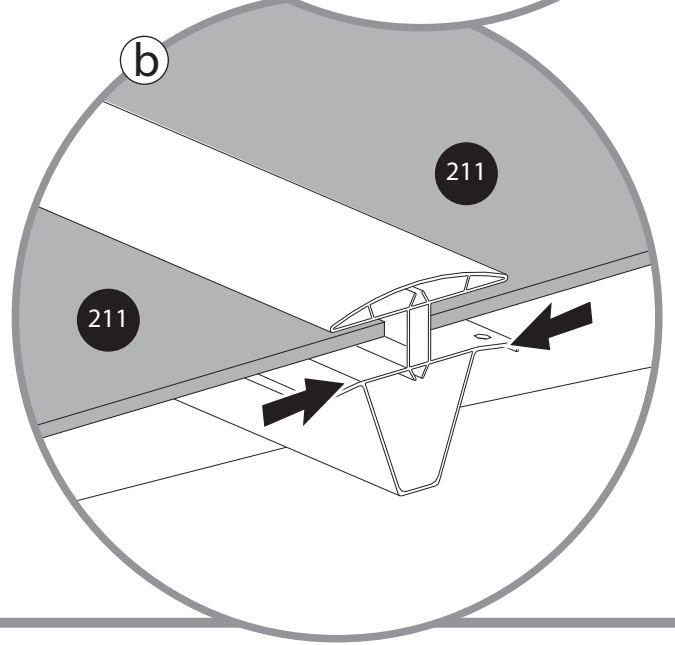
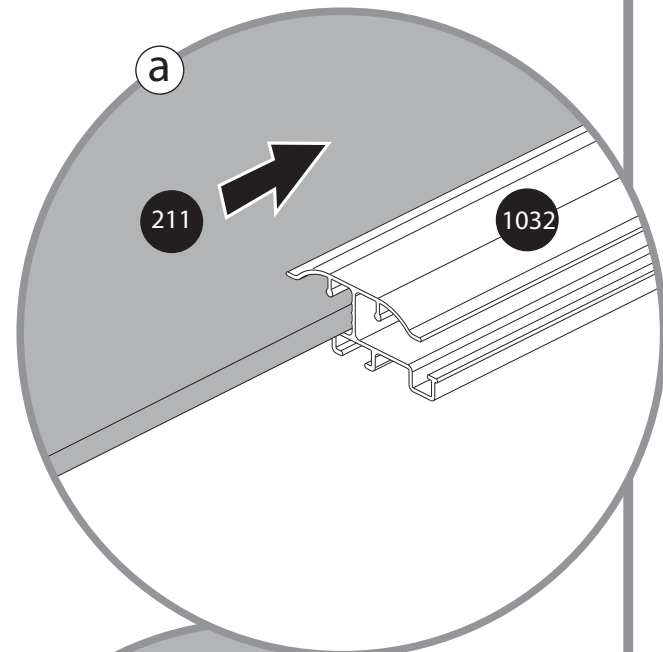
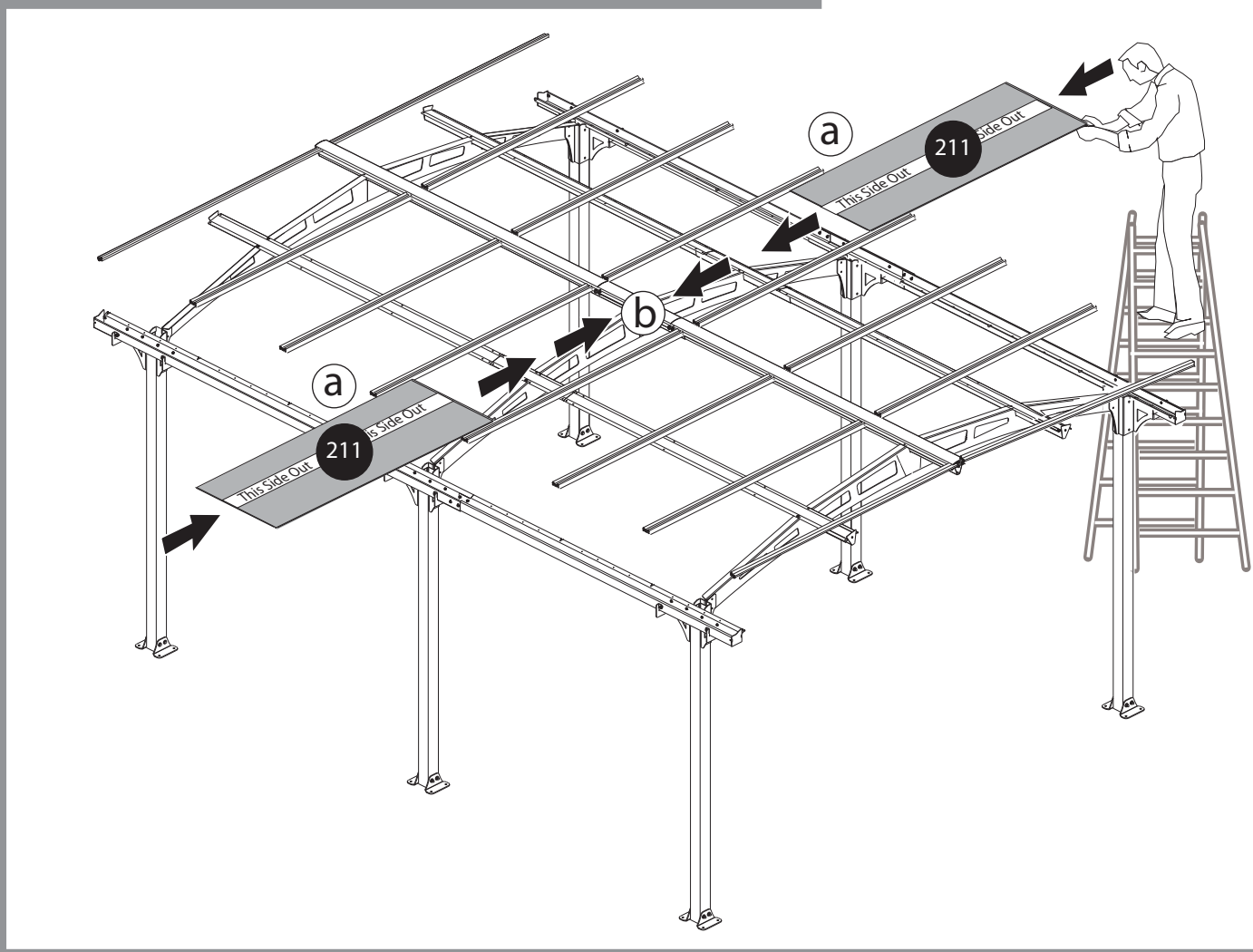
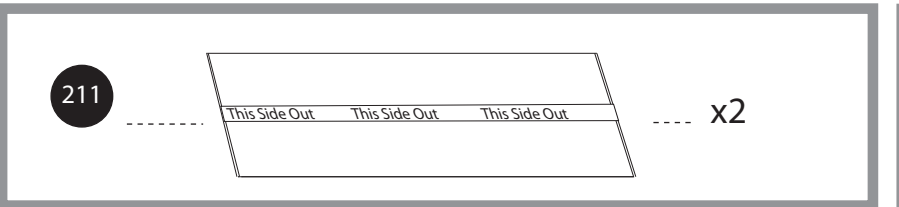
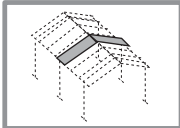
211

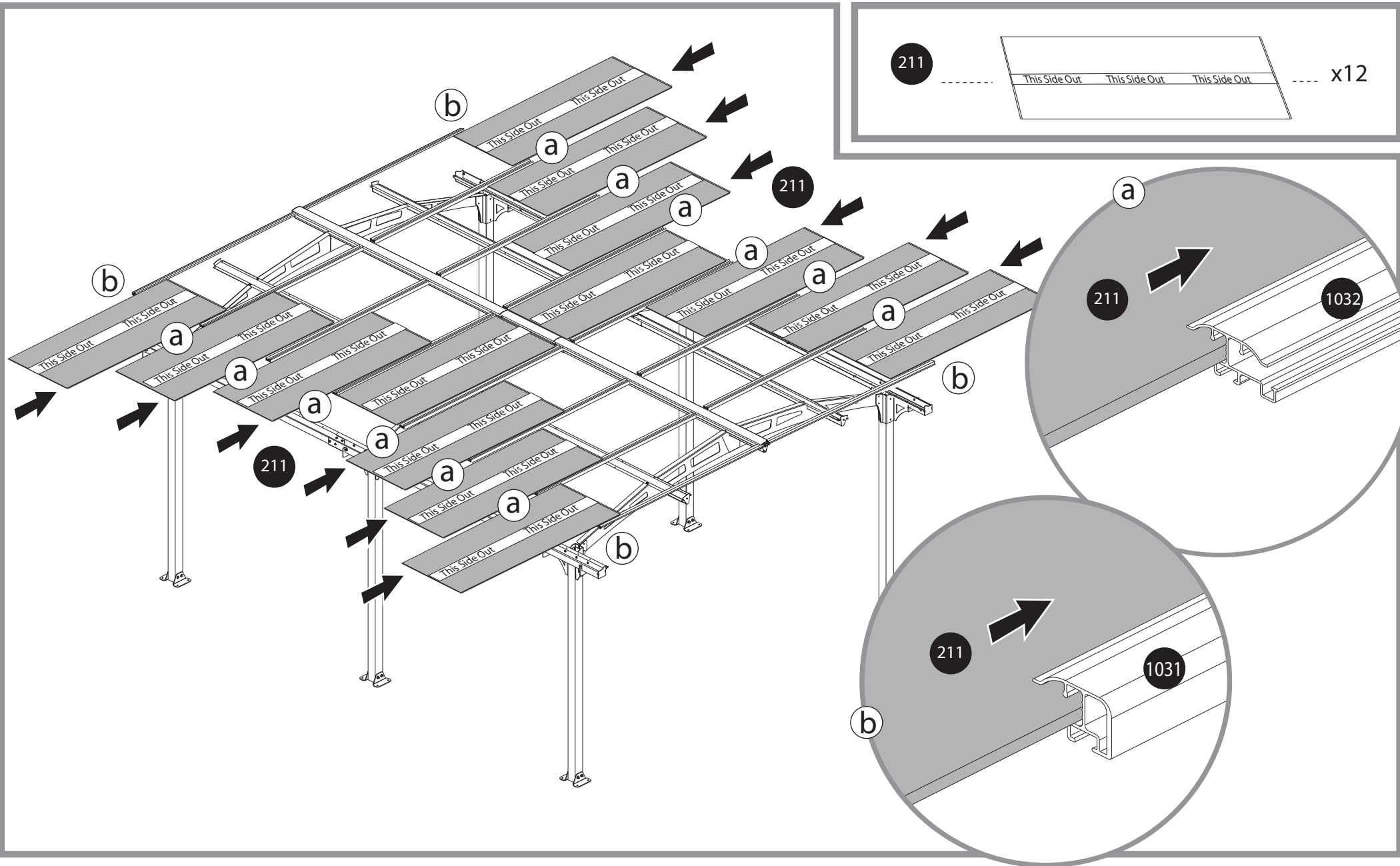
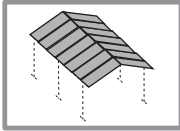


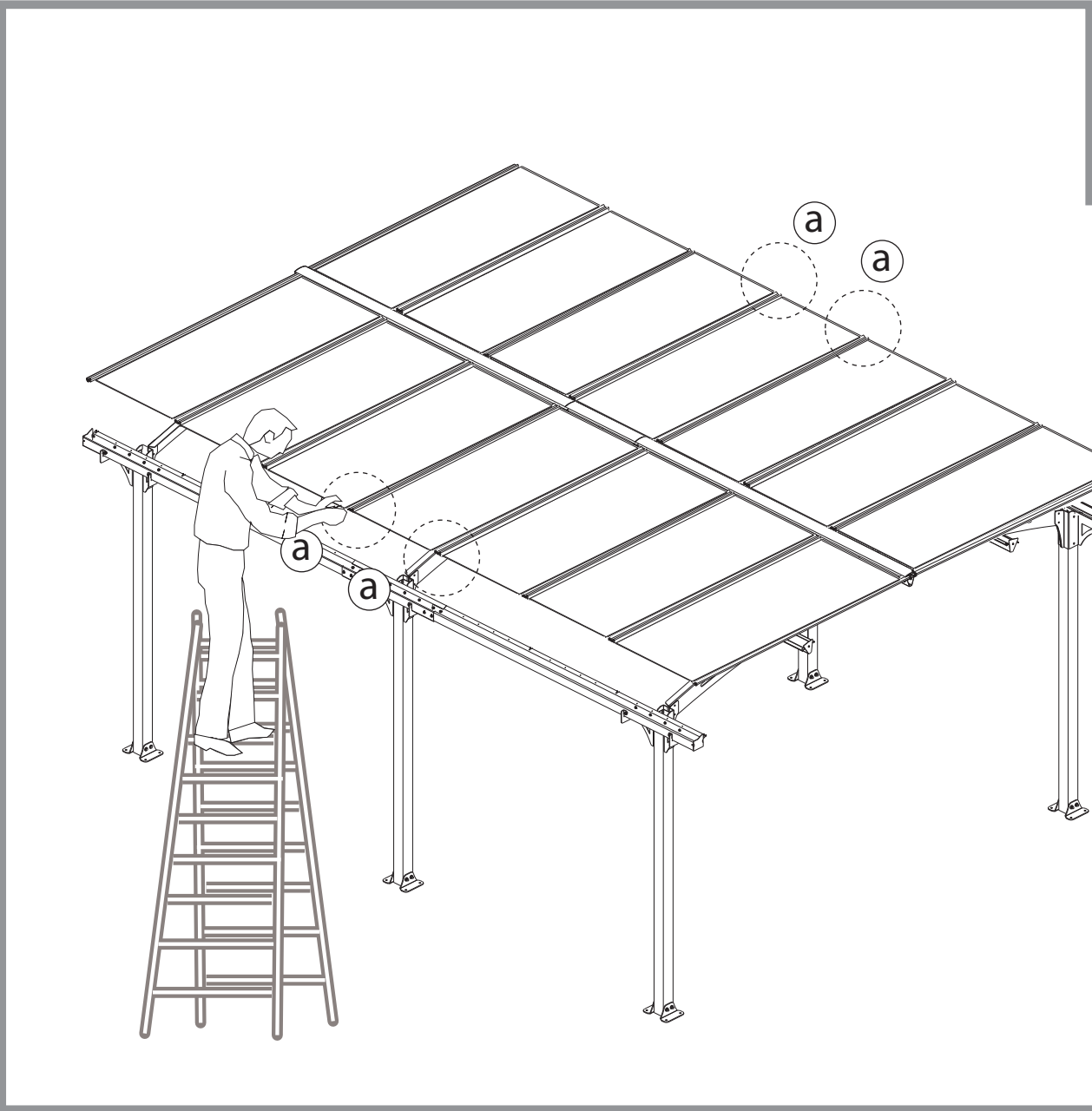
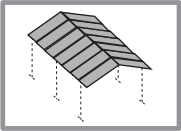
x14



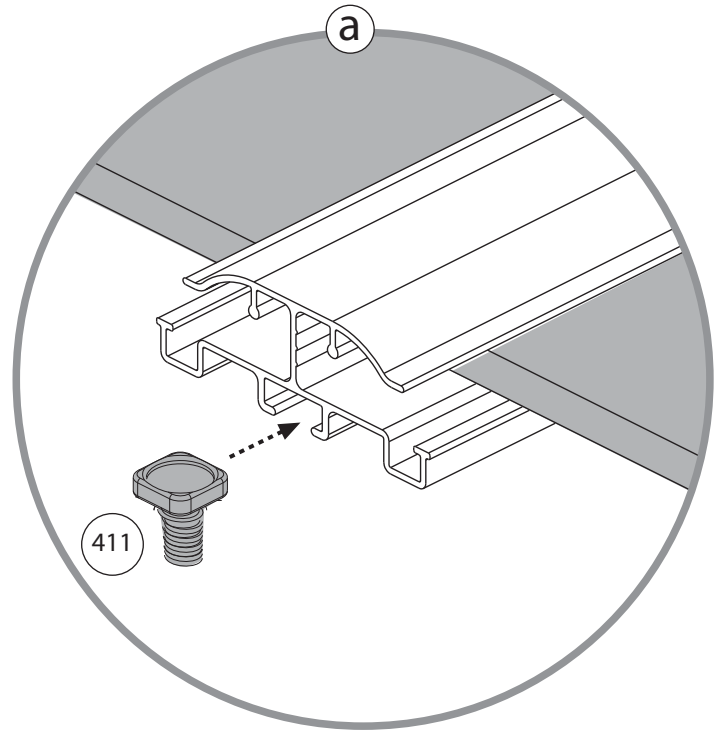
x14

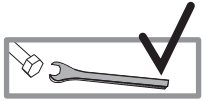
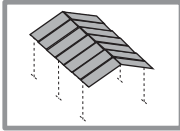






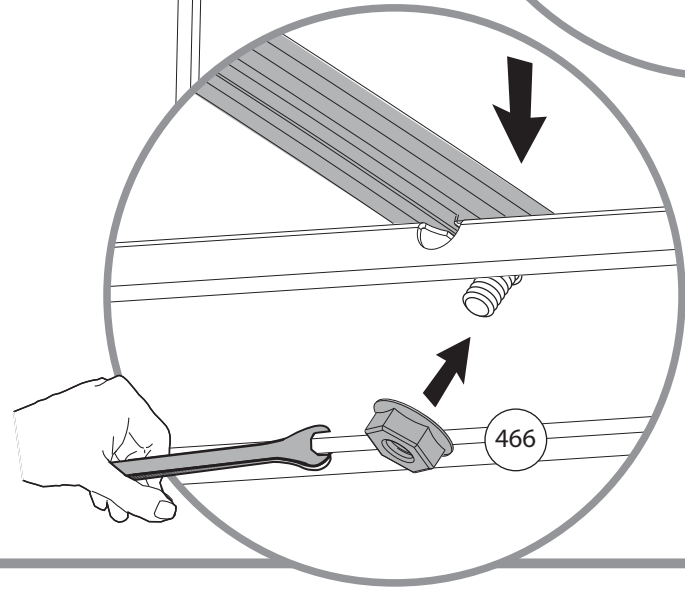
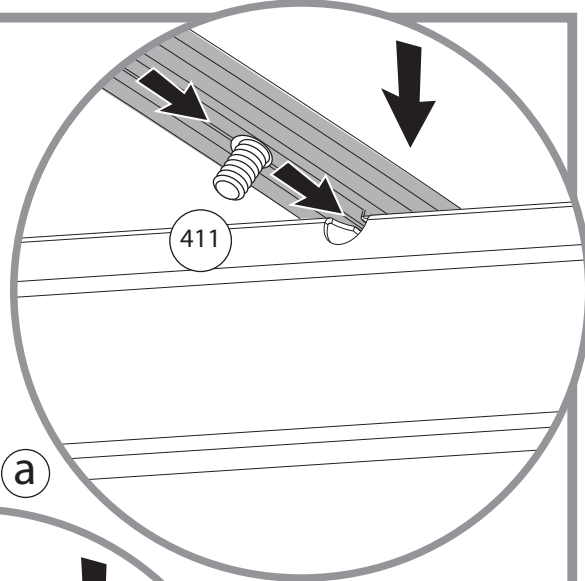
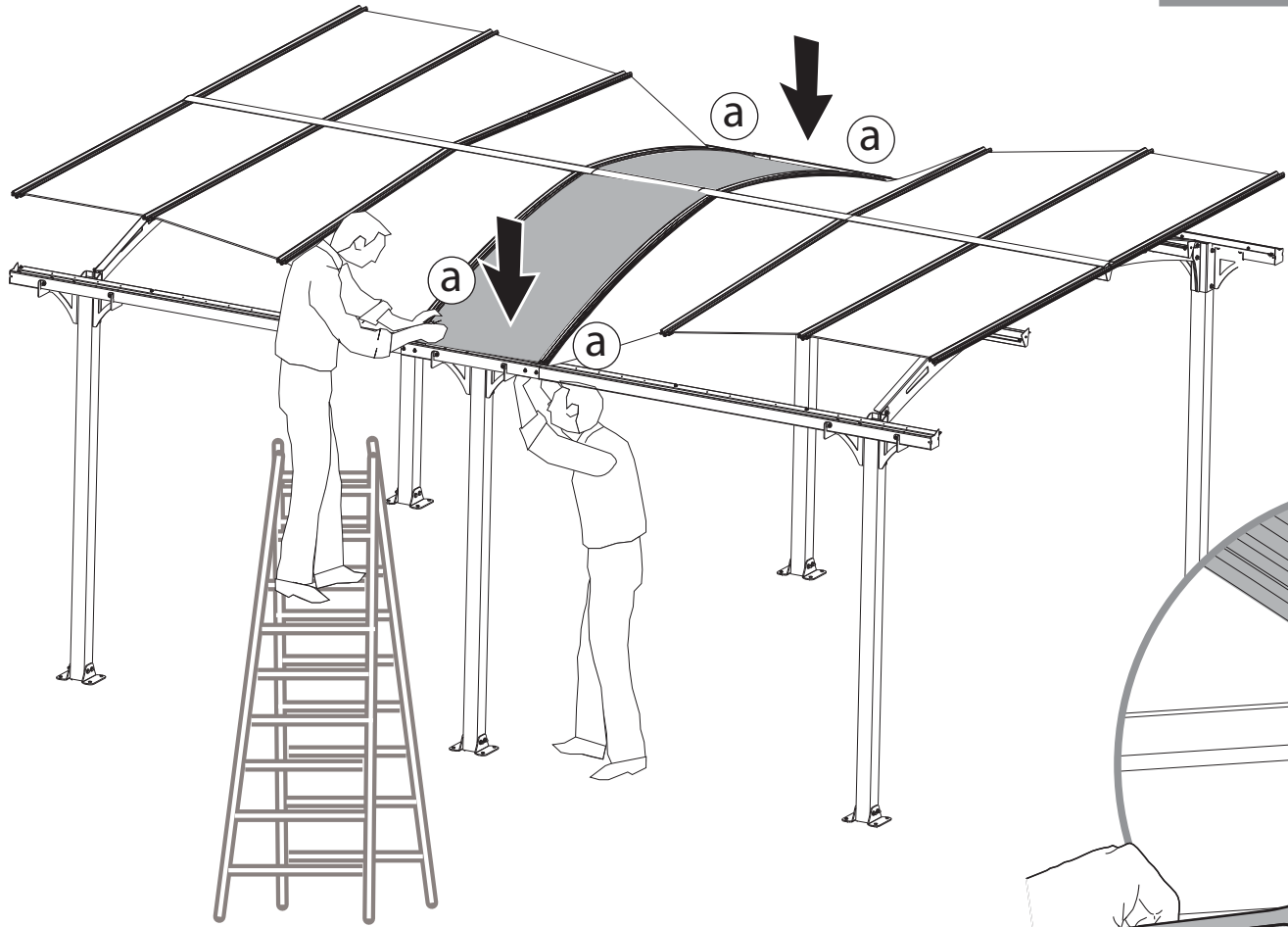
411 .....  x4

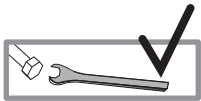
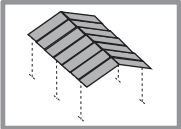




466

x4





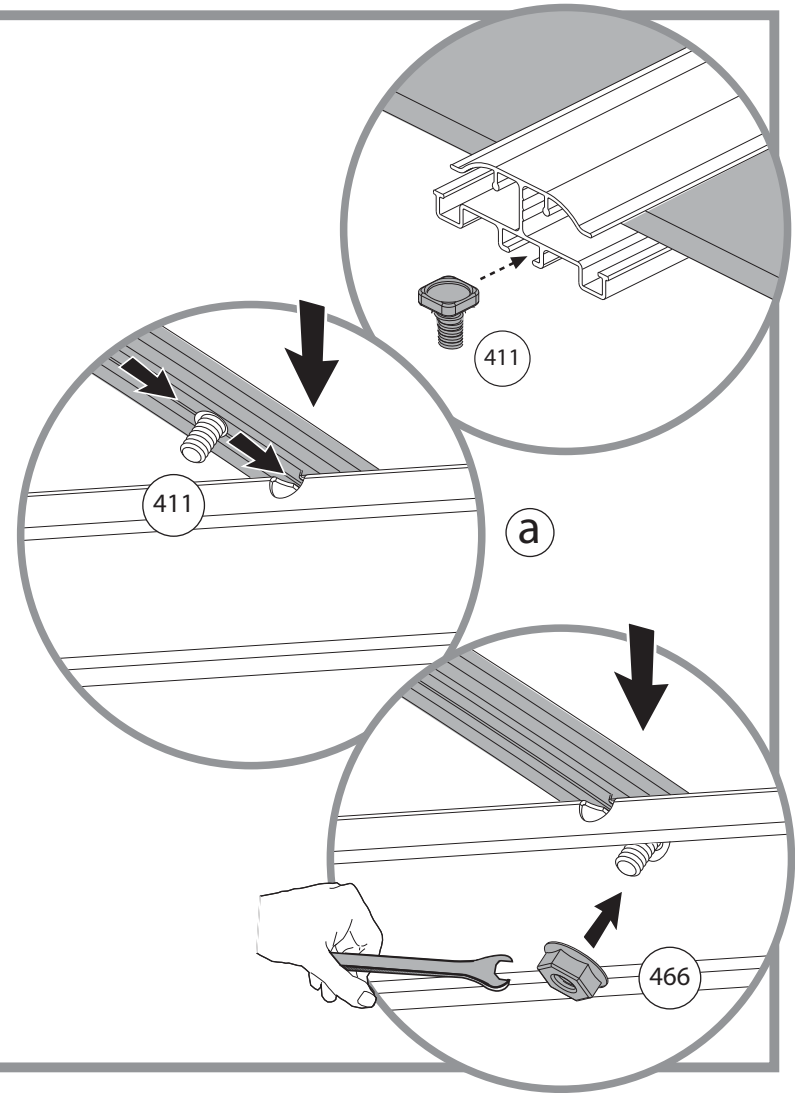
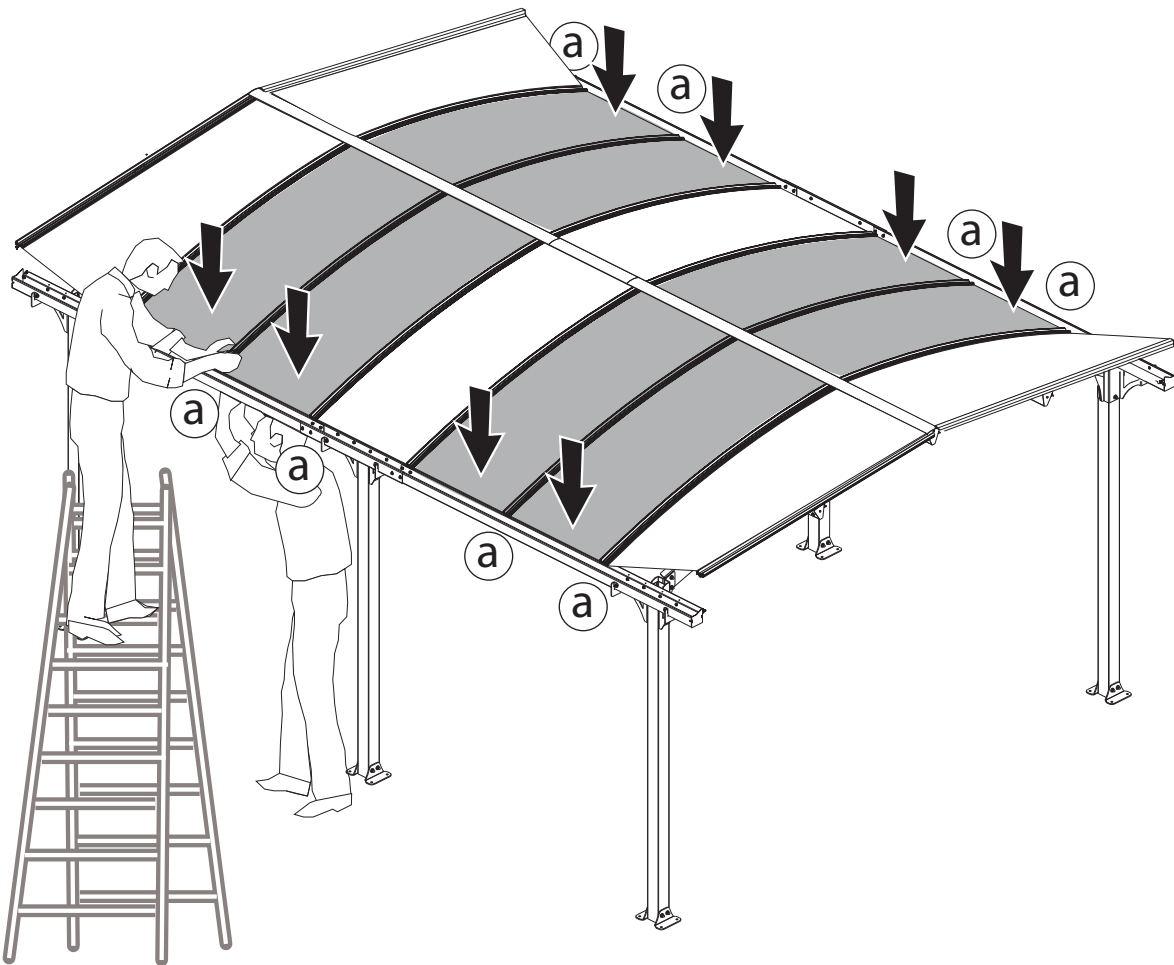
466

411

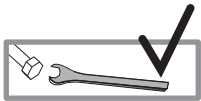
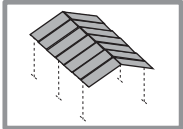


x8

x8







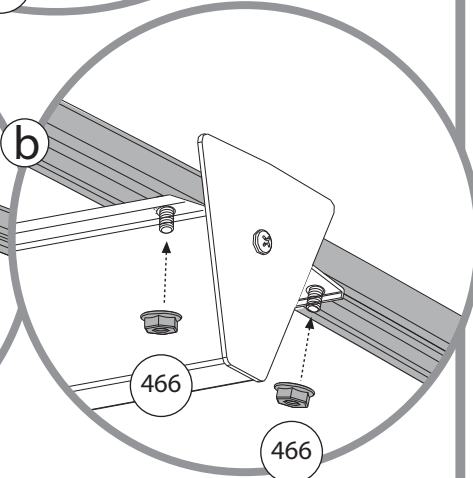
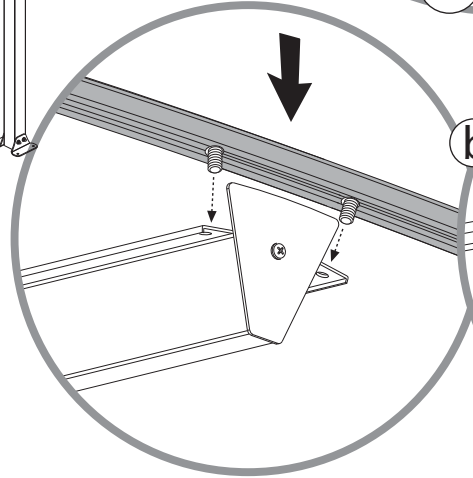
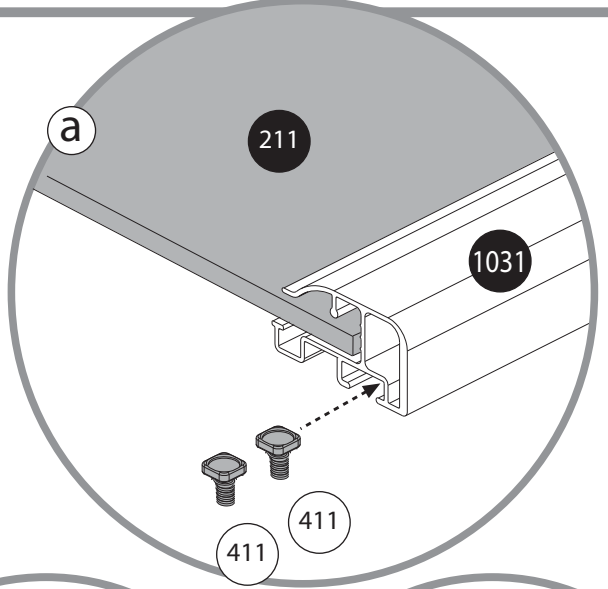
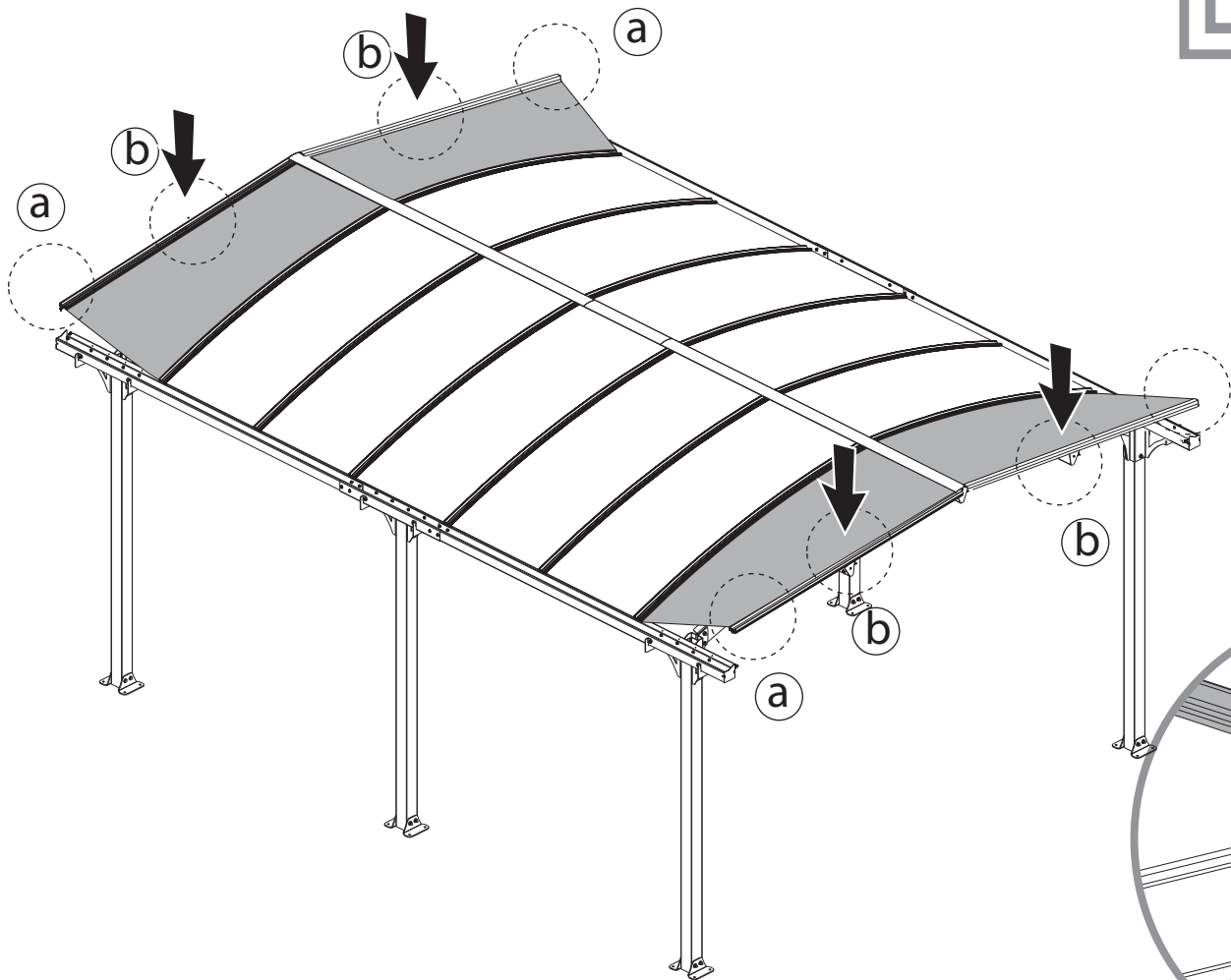
411

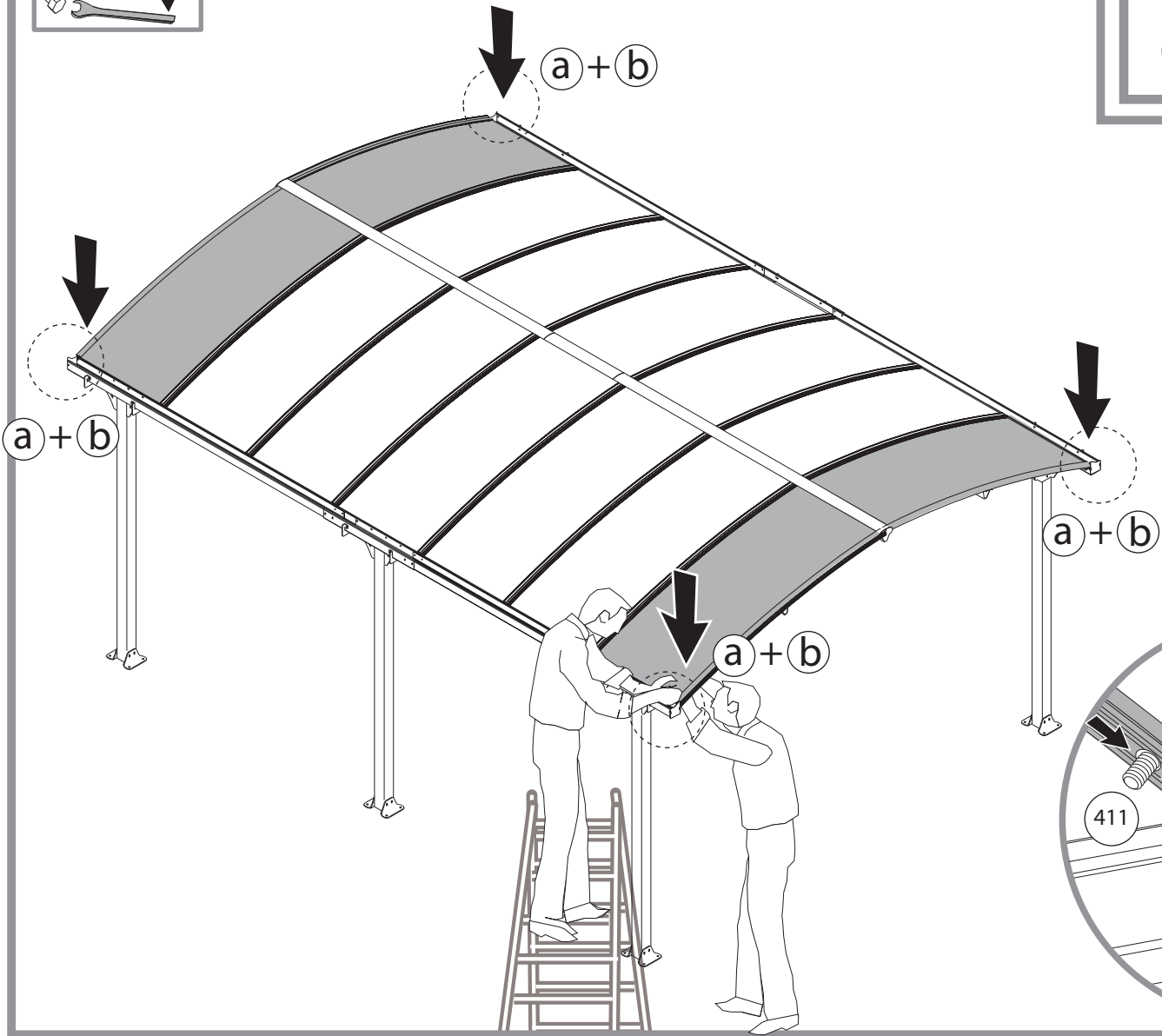
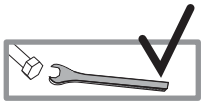
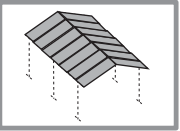
466





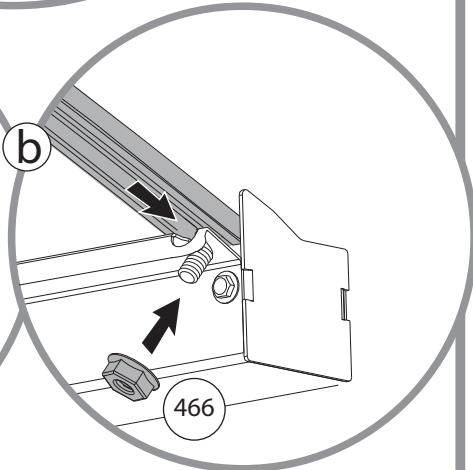
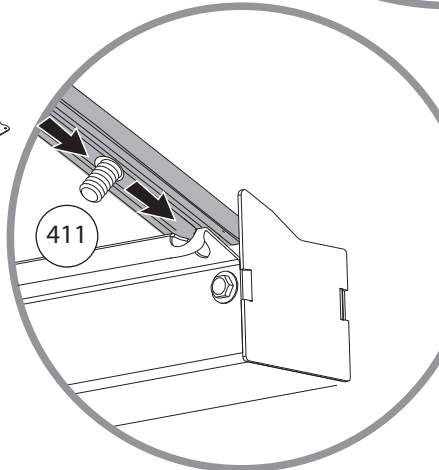
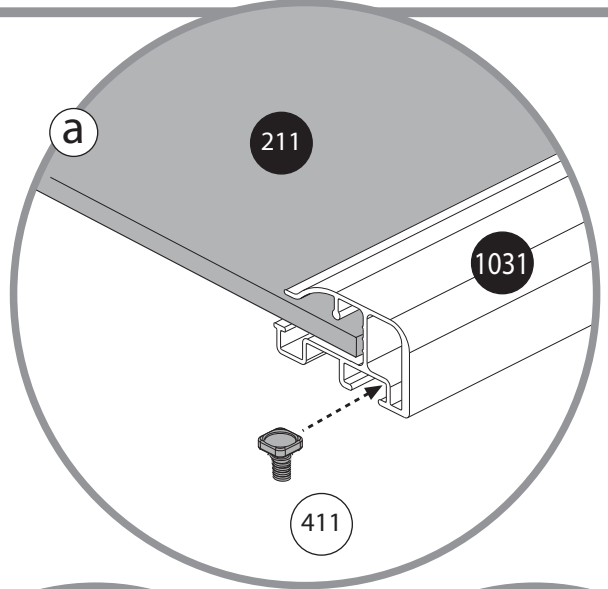
x8

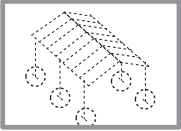
x8







- 411 .....  x4
- 466 .....  x4

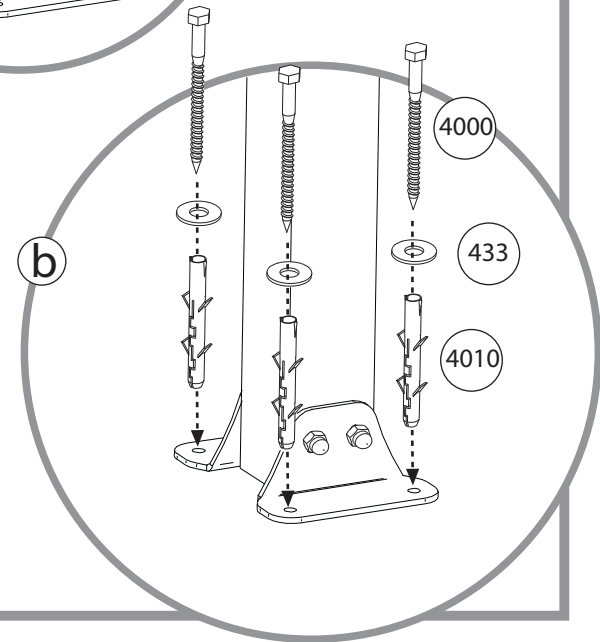
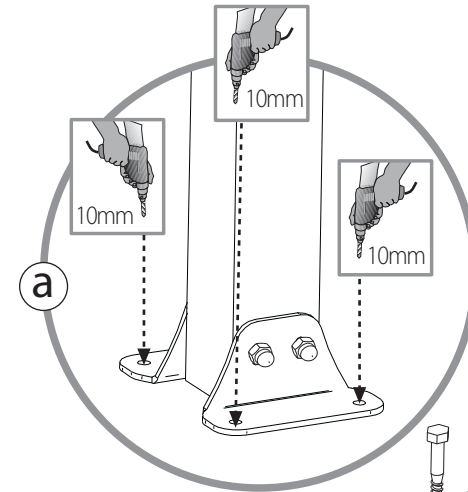
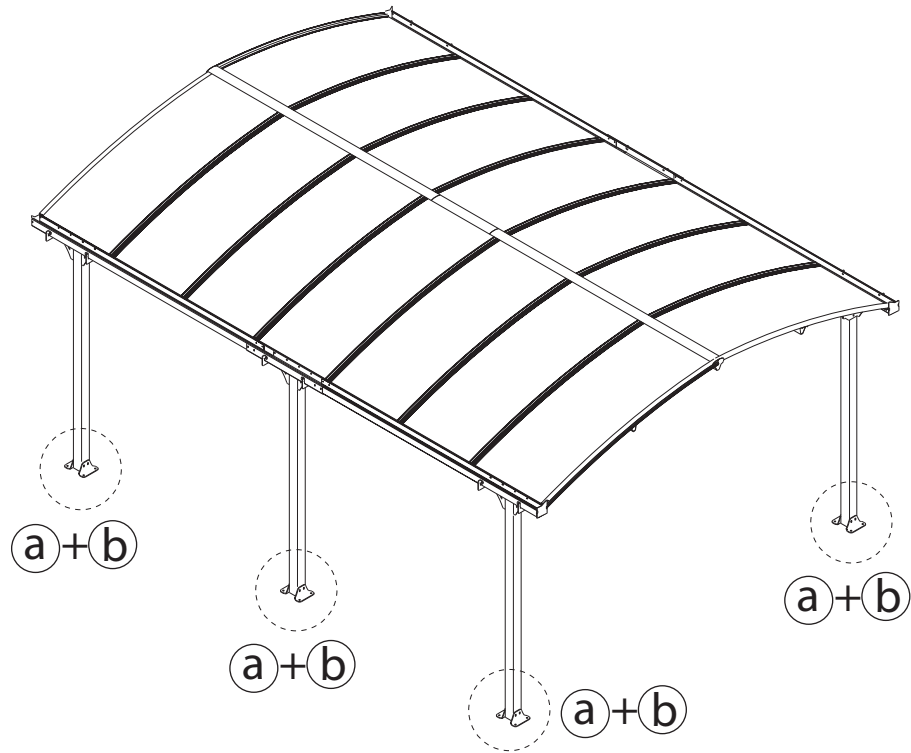




433 .....  ..... x22

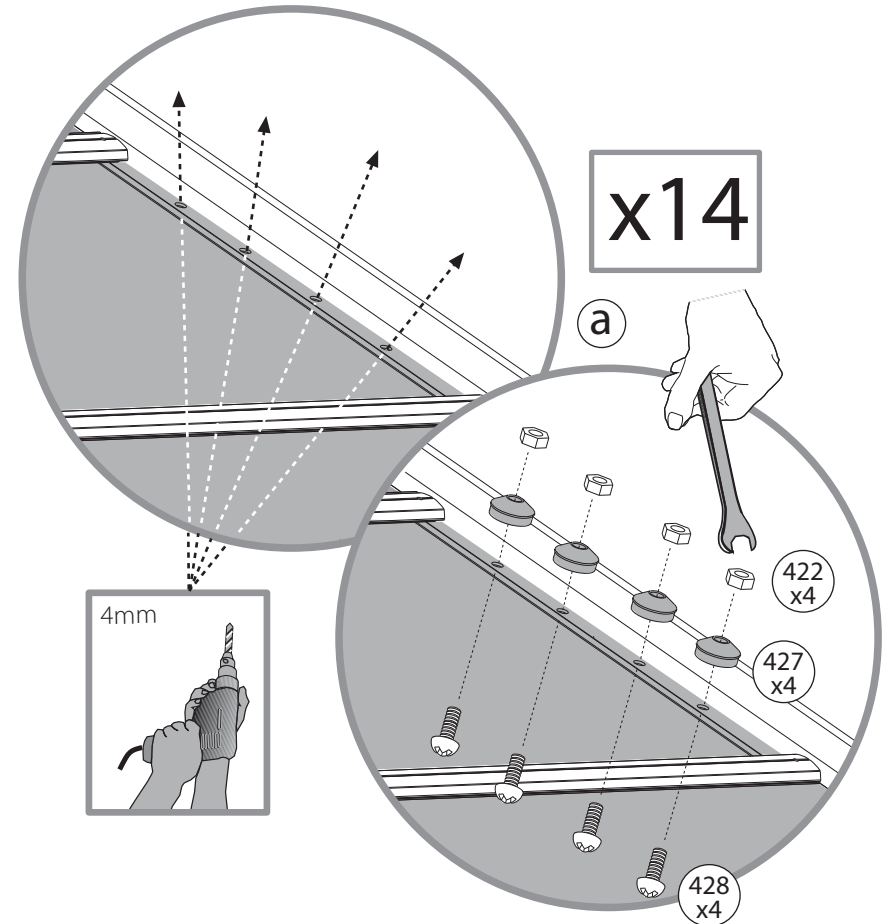
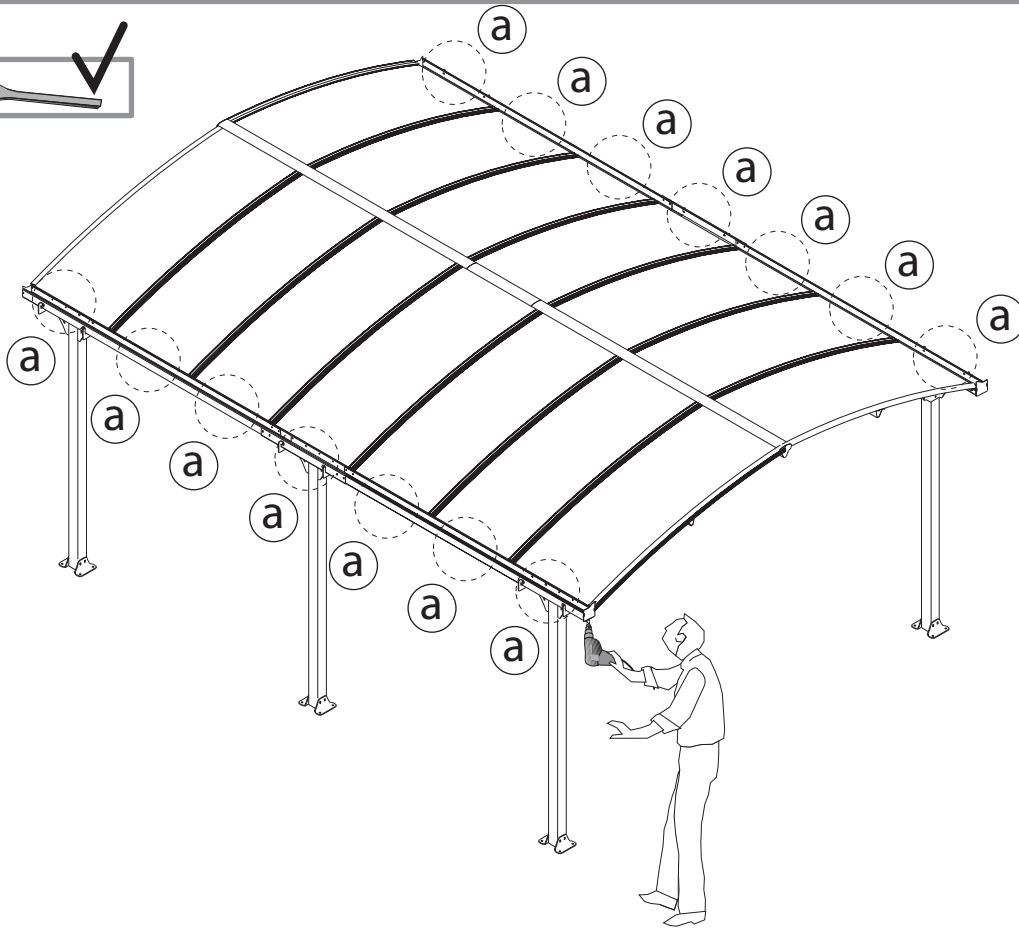
4000 .....  ..... x22

4010 .....  ..... x22





- 421 .....  ..... x56
- 427 .....  ..... x56
- 422 .....  ..... x56



# 32 OPTION

