



Model: PL-6000 / PL-6000X

Description: Single-Column Parking Lift with Full Platform

With these new single-post automobile parking and storage systems from BendPak, you can double the amount of parking at your home or business in as little as three hours.

Take your pick; the standard rise PL-6000 or the extended rise PL-6000X. Each model offers a convenient storage solution for parking two cars or light trucks, even boats and recreational vehicles in the space of one. Both models use a specially designed base frame that distributes the load making these unique lifting systems suitable for installation on virtually any residential or commercial concrete floor.

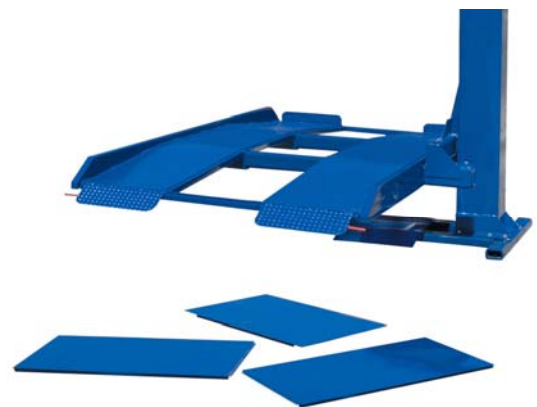
Each stacking system incorporates many distinctive features such as a full-width platform to keep bottom vehicles protected, single hydraulic lifting cylinder combined with heavy-duty leaf chain, automatic safety locks and reliable, ergonomic hydraulic power unit with single-point safety-lock release. These state-of-the-art parking systems are well suited for the typical home garage and utilize a standard 110-volt or optional 220-volt electric-hydraulic power system.

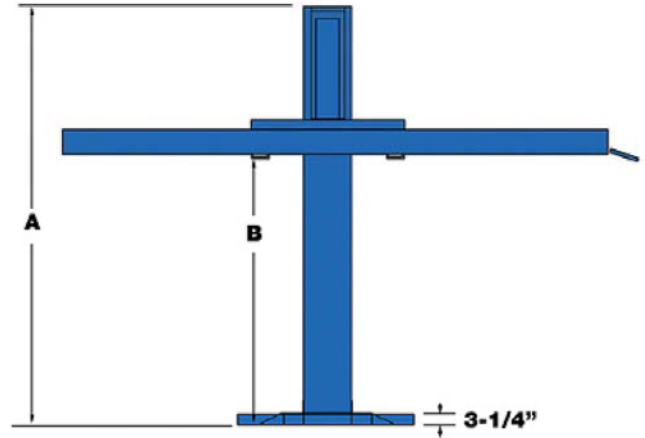
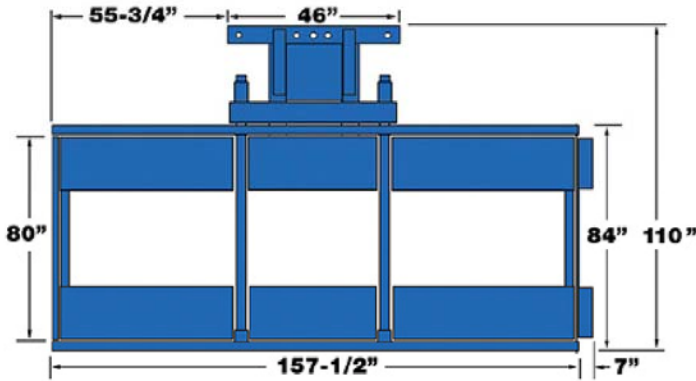
At BendPak, we believe in creating solutions that simplify your life. Our history of manufacturing excellence began more than 30 years ago and we continue to design and manufacture innovative car parking solutions with features and operating characteristics that meet customer requirements for quality, reliability, safety, and value.



Features

- 6,000 pound lifting capacity
- Perfect for automobiles, light trucks, motorcycles and ATV's
- Single hydraulic cylinder combined with heavy-duty leaf chain
- Heavy-duty steel construction
- Reliable electric-hydraulic power system
- Removable center panels for convenient under car access
- Self-lubricating dura-glide polyethylene bearing system
- Automatic safety locks spaced 4" apart
- Low-profile platform. Perfect for low ground-clearance vehicles
- Wide base-plate for maximum stability
- Minimum post height allows for residential installation
- Limited 5-year warranty





MODEL	PL-6000	PL-6000X
Lifting Capacity	6,000 Lbs. / 2722 Kg.	6,000 Lbs. / 2722 Kg.
A - Height Overall:	119" / 3023 mm.	131" / 3327 mm.
B - Rise:	73" / 1854 mm.	85" / 2159 mm.
Overall Length	168" / 4267 mm.	168" / 4267 mm.
Platform Length	157-1/2" / 4001 mm.	157-1/2" / 4001 mm.
Overall Width	110" / 2794 mm.	110" / 2794 mm.
Platform Width	80" / 2032 mm.	80" / 2032 mm.
Speed of Rise	45 Seconds	55 Seconds
Motor (*)	220 VAC / 60 Hz. 1Ph.	220 VAC / 60 Hz. 1Ph.

* Special Voltages Available Upon Request.

The design, material and specifications are subject to change without notice.