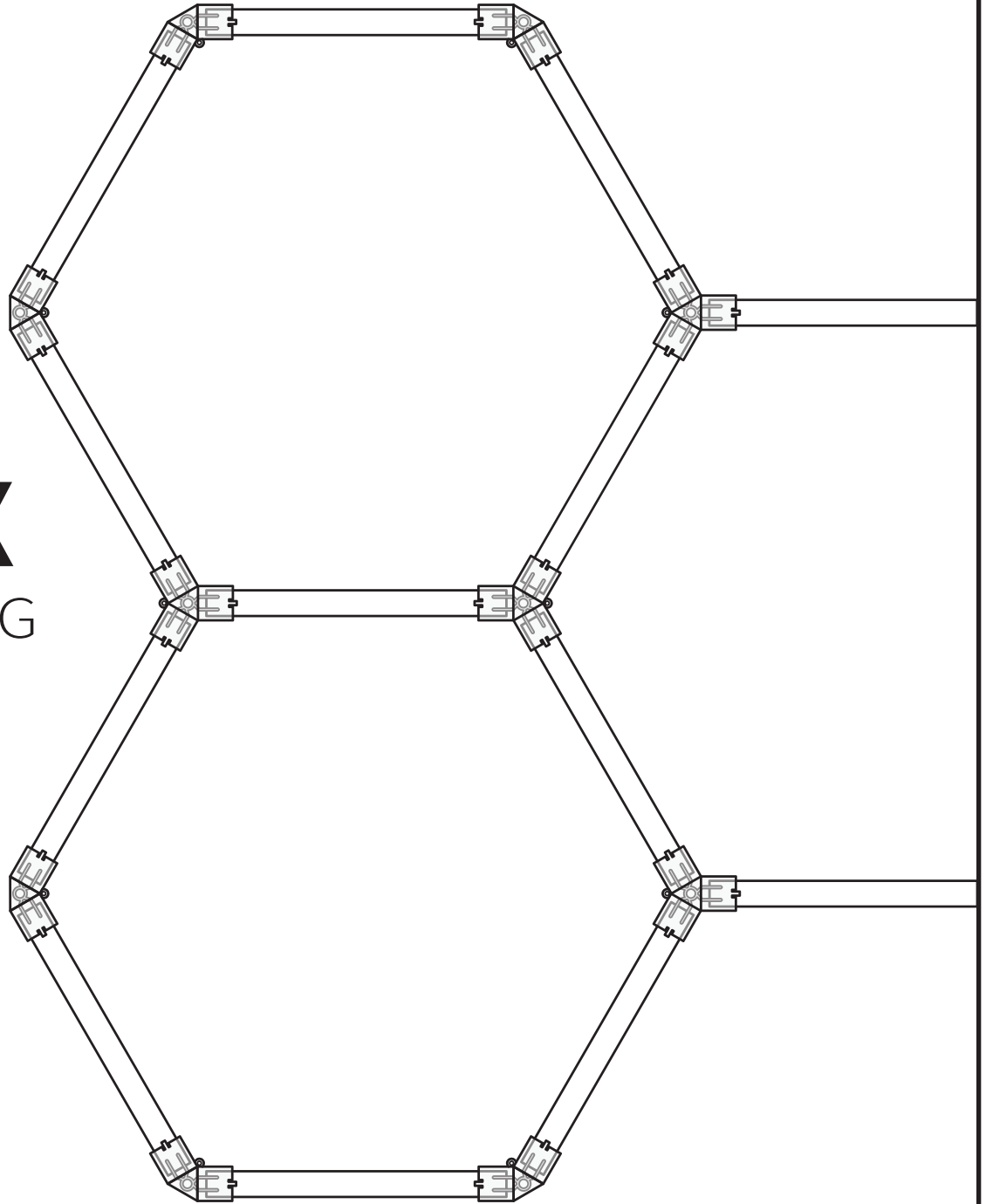




HexGlow

HEX
LIGHTING
KIT



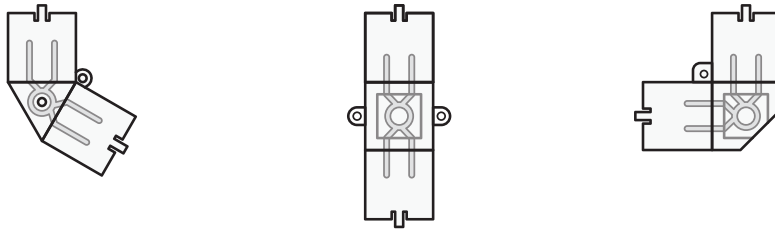
INSTALLATION INSTRUCTIONS



Please do not assemble forcefully as it may damage the connectors or malfunction. Test lighting before final installation onto ceiling.

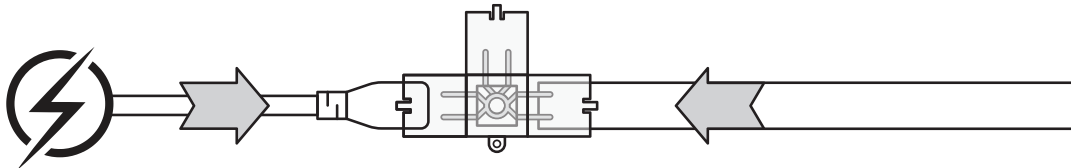
STEP 1

Entire lighting structure should be assembled on the floor before mounting. If your kit includes a border, construct this first. If not, skip to **STEP 3**. Connect the longer lighting tubes with straight and 90 degree connectors to make the border. Make sure tubes are carefully inserted all the way into the connectors.



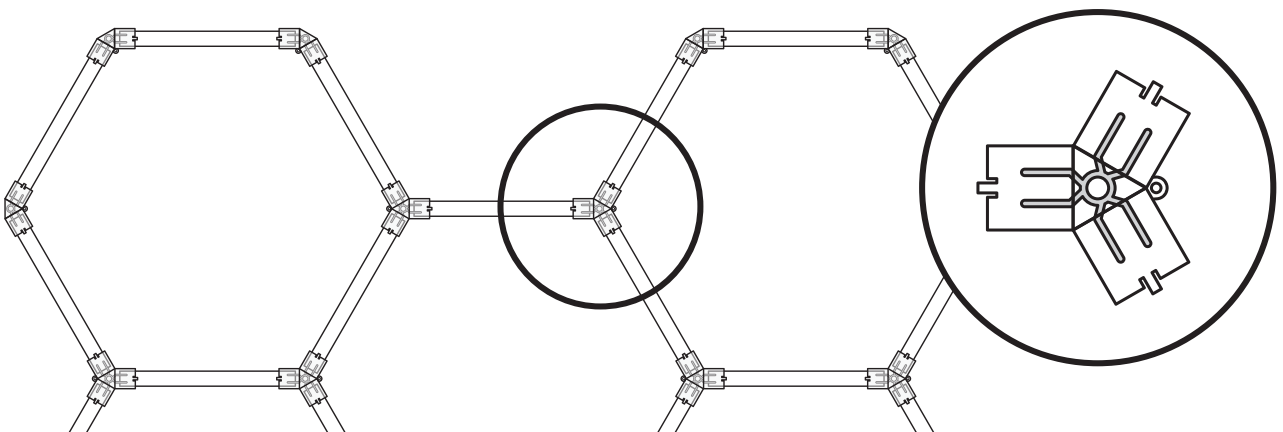
STEP 2

Use a T connector at the last corner of the border where a cable will plug into and connect to power supply.



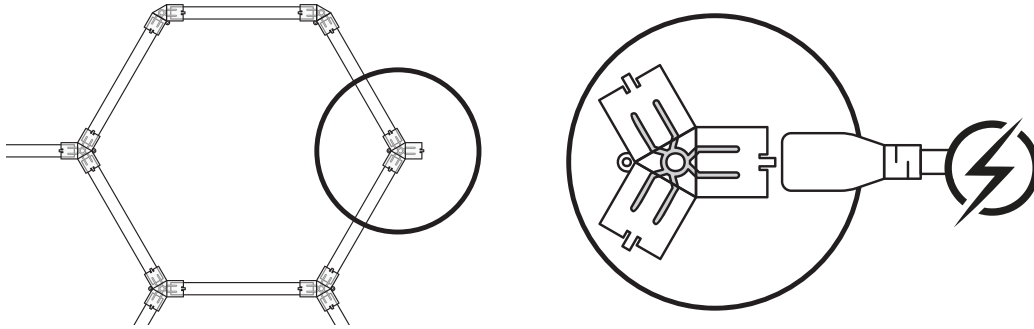
STEP 3

Construct each hexagon shape into columns by connecting lighting tubes with the elbow and Y connectors to make your desired pattern.



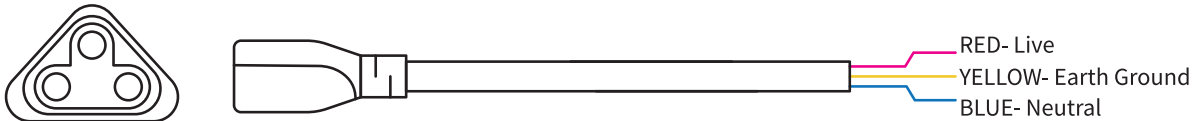
STEP 4

Place open end Y connectors outside of hexagons where cable will plug into and connect to power supply. Number of cables needed is dependent on the size and amount of lighting tubes (1 cable per 30 tubes). Our standard Hexagon Kits will usually need to have 2 cables connected at opposite sides to power whole grid.



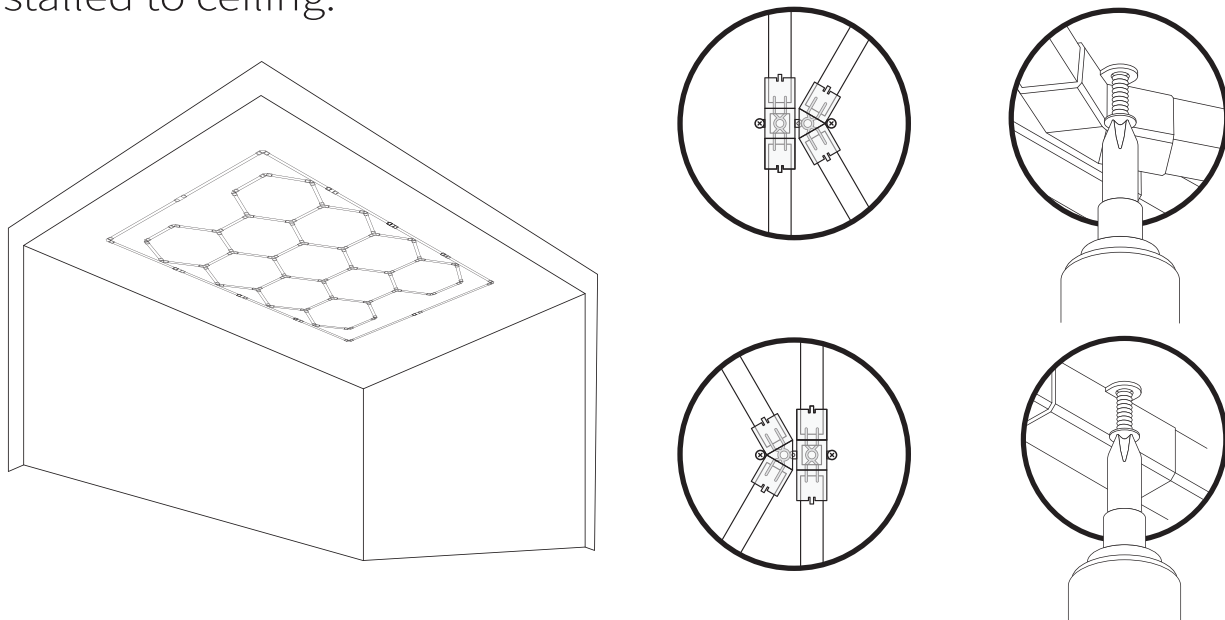
STEP 5

Connect cables to 100-240V power supply and test before final ceiling installation. If you are unsure on how to connect to power, we highly recommend consulting with an electrician before proceeding.



STEP 6

Raise and install to the ceiling as whole or in sections with help. Hang with screws through connector holes (preferred method), suspend with wire, or fasten with zip ties. Connect to power supply once installed to ceiling.





HexGlow

www.hexglow.com