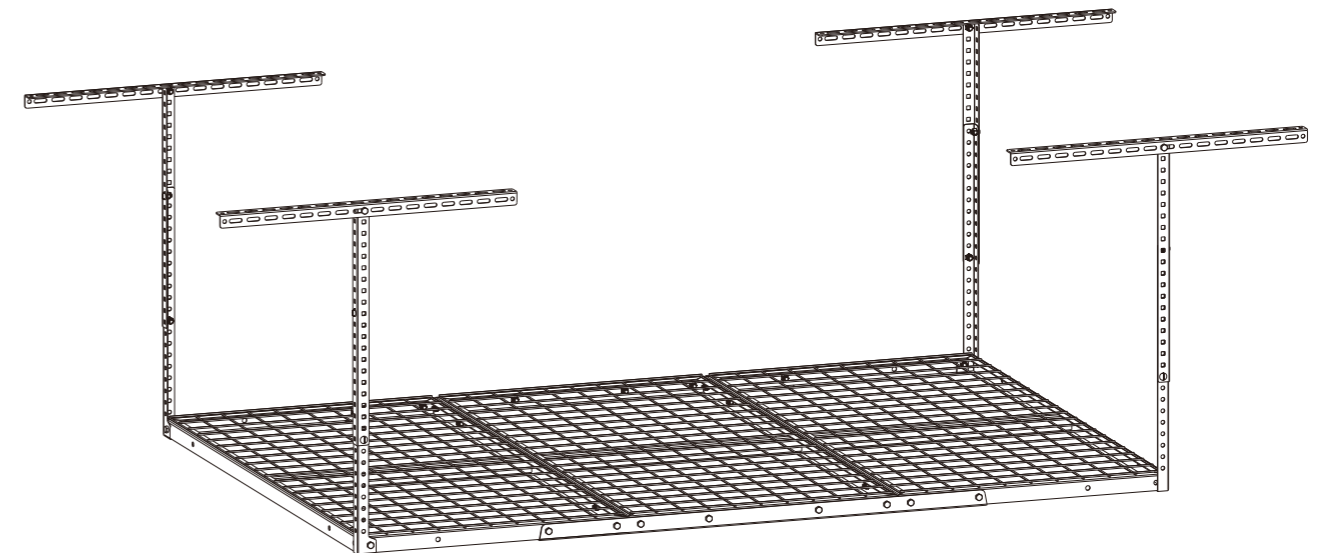




Item No. GR36/GR36B Installation Guide



FLEXIMOUNTS

ADDRESS: 4569 Las Positas Rd. Suite A, Livermore, CA 94551

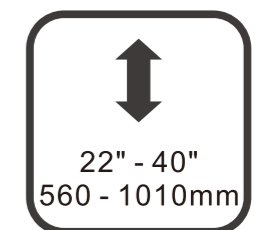
ADDRESS: 4290 Concorde Road, Memphis, TN 38118

TEL: 1-855-421-2808

Facebook: Fleximounts

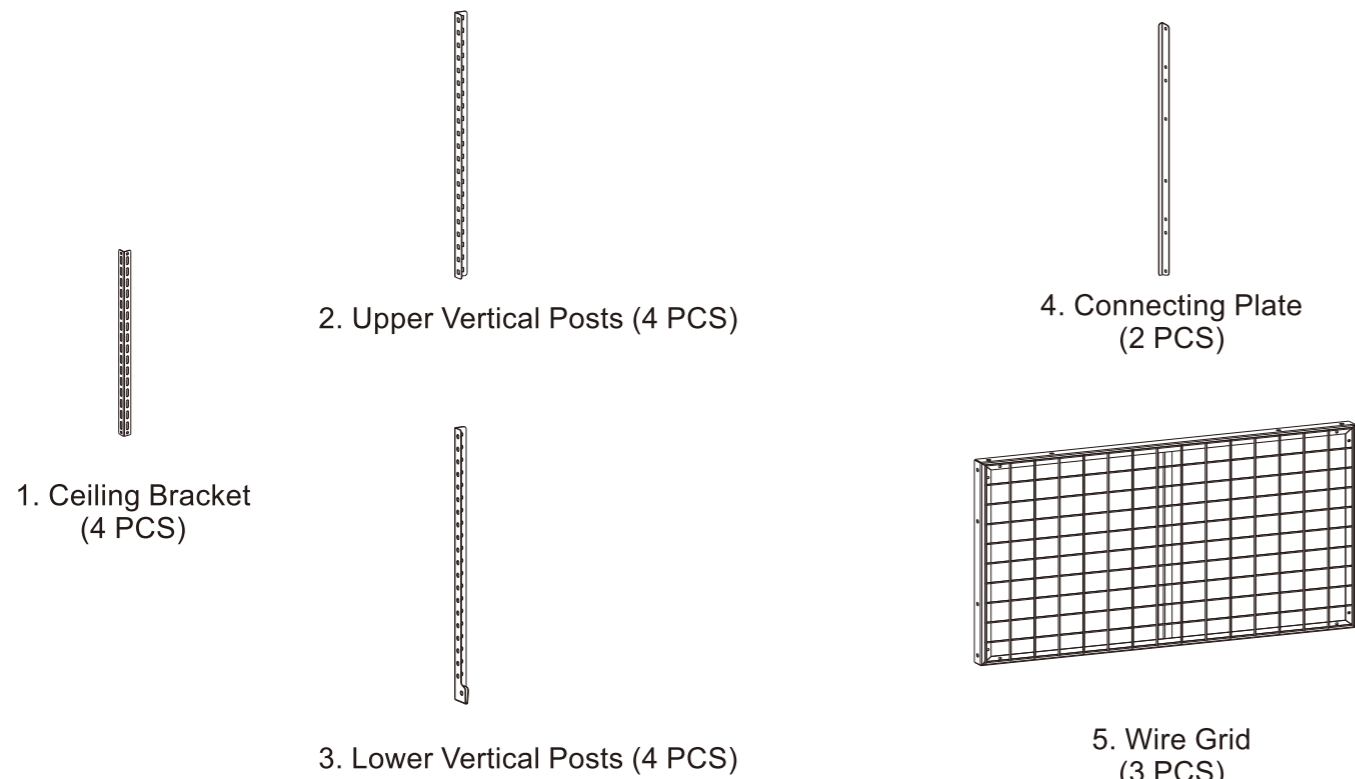
Twitter: Fleximounts

Website: www.fleximounts.com

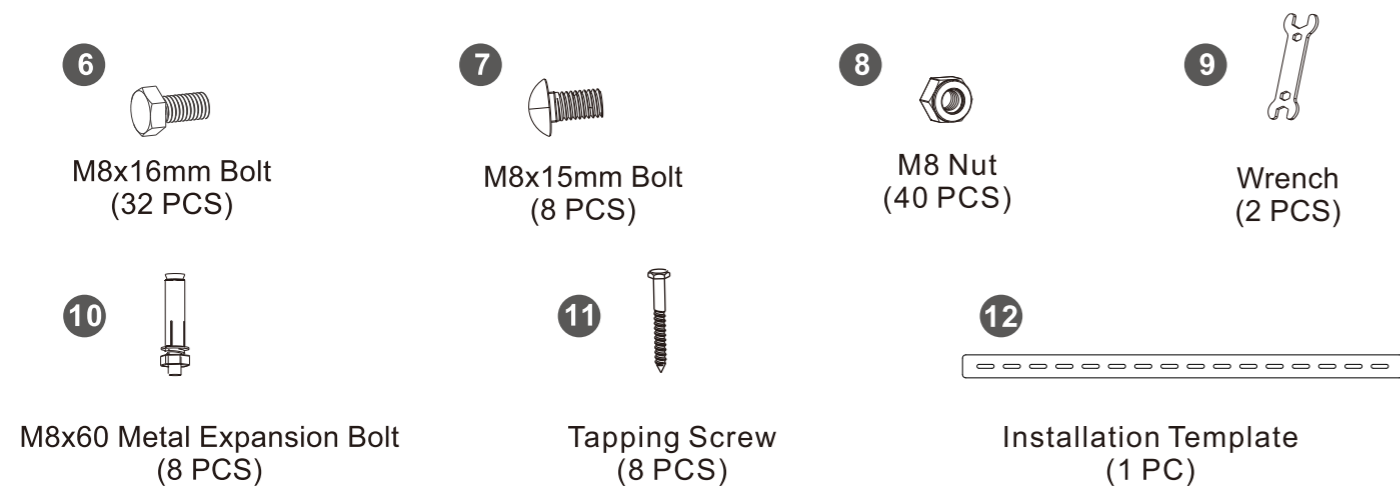


Package Contents

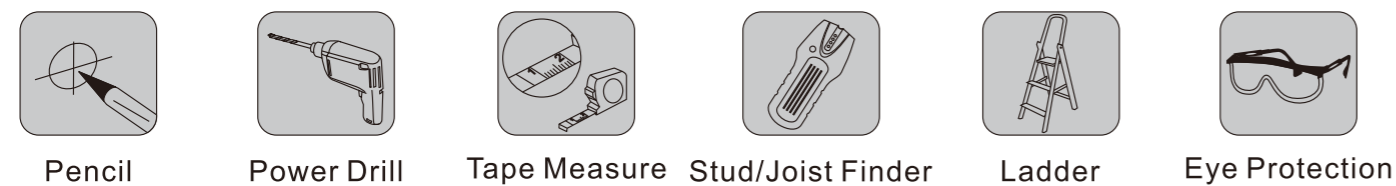
(A) Parts Included



(B) Screw Set:



(C) Tools Needed for Assembly



Installation Steps

STEP 1-A: Attach Ceiling Brackets to Wooden Ceiling Joists

1. Use a stud finder to locate the wooden ceiling joists. Then use the installation template to mark the mounting points.

Tips: How to Use Installation Template

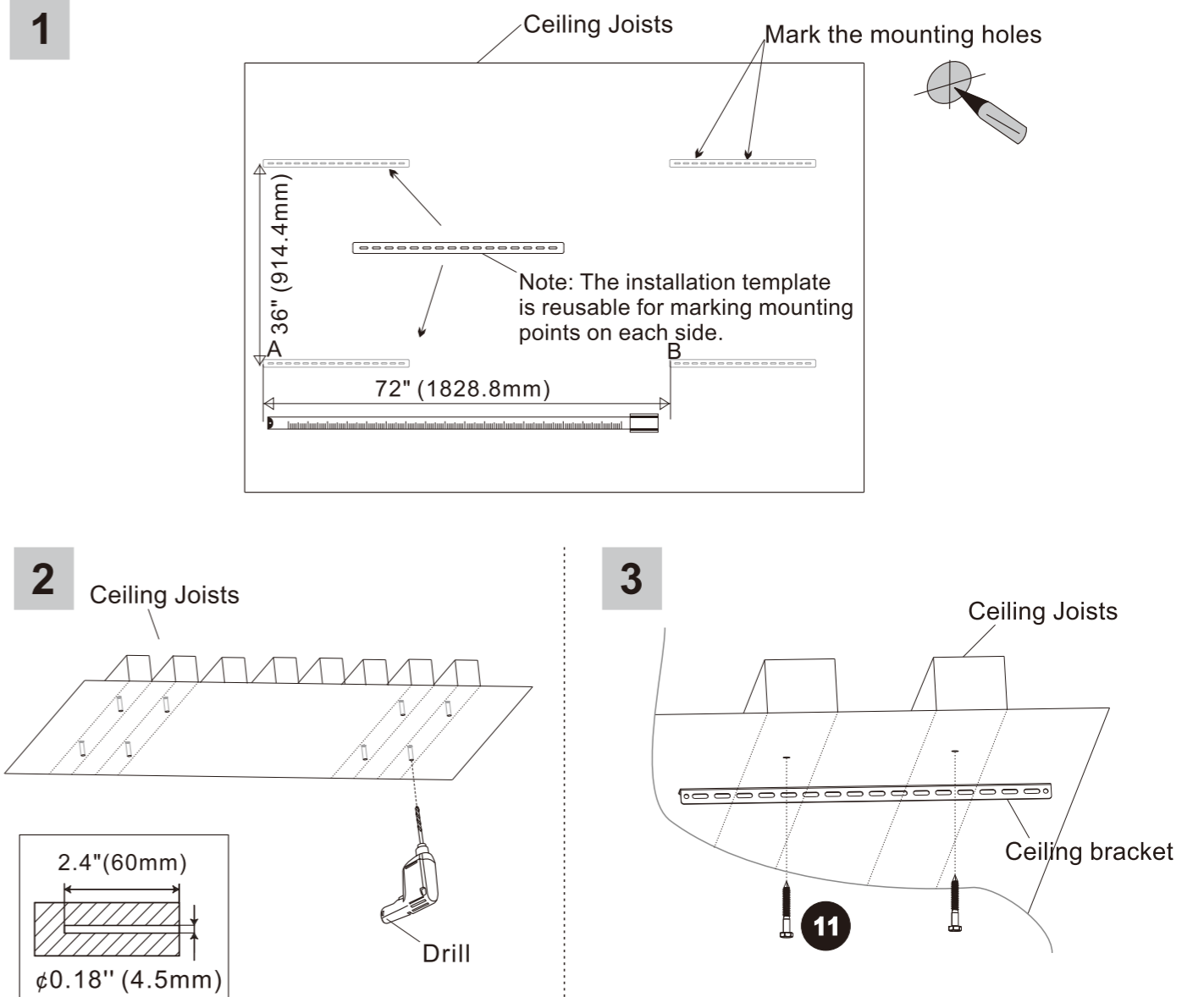
*Each ceiling bracket fastens to 2 separate joists.

*Use a stud finder to locate the joists.

1. Beginning from the left side, place the template and mark two holes at center of joists locations.
2. Measure 72" from the left end (Point A) and place template again from point (B). Mark two holes at center of the joists locations.

2. Drill a 2.4" (60mm) deep 0.18" (4.5mm) diameter pilot hole at the center of each marked point.

3. Install the ceiling brackets (1) using tapping screw (11) and tighten with wrench (9).



STEP 1-B: Attach Ceiling Brackets to Solid Concrete Ceiling

1. Use the installation template to mark the mounting points.

Tip 1: How to Use Installation Template

*Each ceiling bracket fastens with 2 bolts.

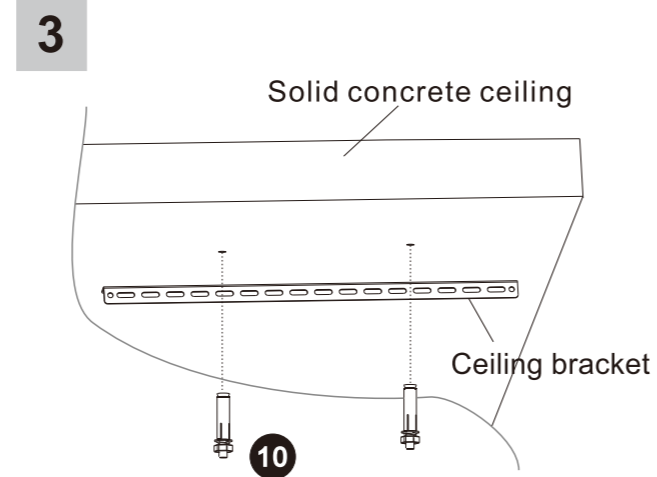
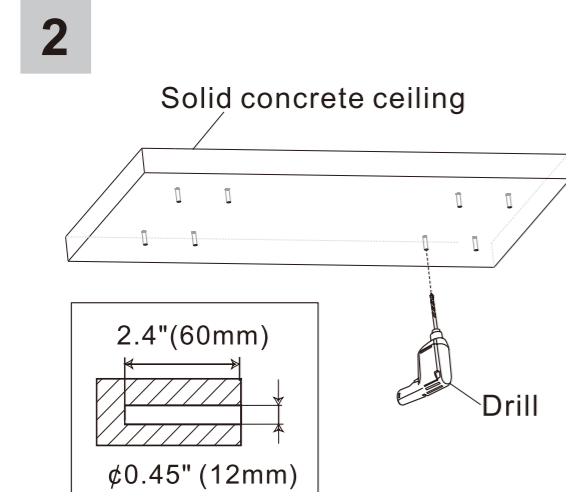
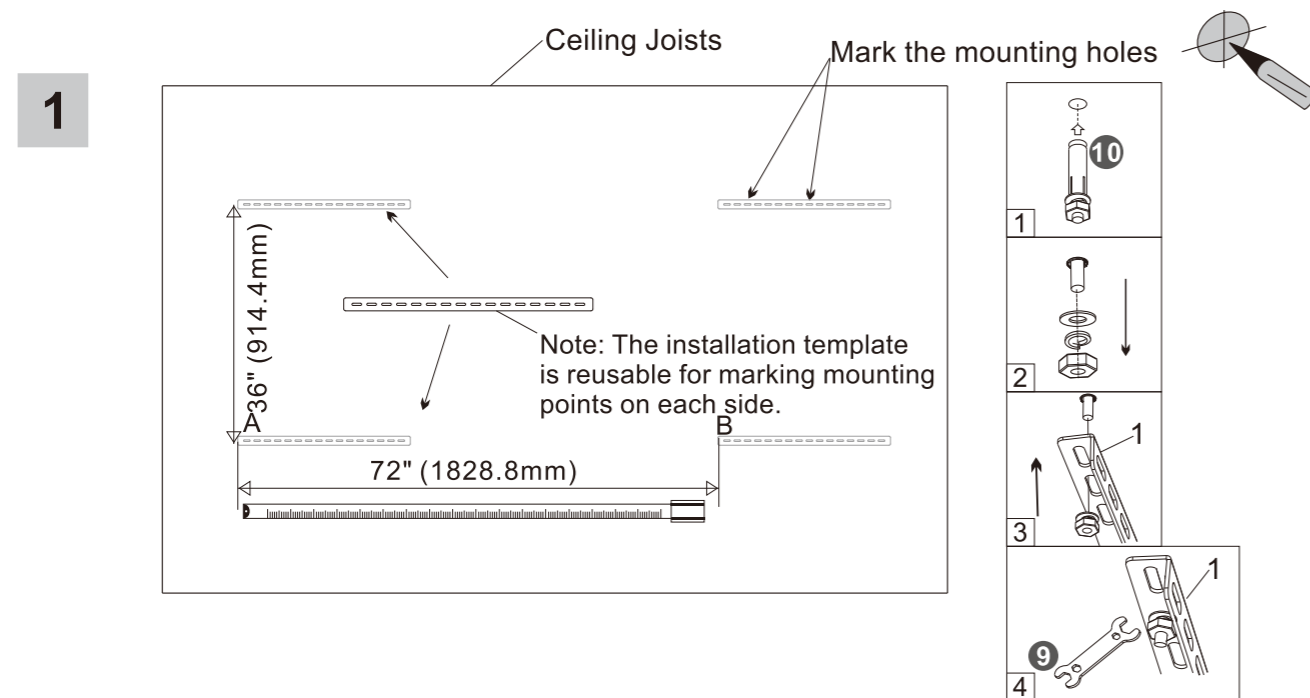
1. Beginning from the left side, place the template and mark two holes.
2. Measure 72" from the left end (Point A) and place template again from point (B). Mark two holes.

2. Drill a 2.4" (60mm) deep 0.45" (12mm) diameter pilot hole at the center of each marked point.

3. Install the ceiling brackets (1) using metal expansion bolts (10) and tighten with wrench.

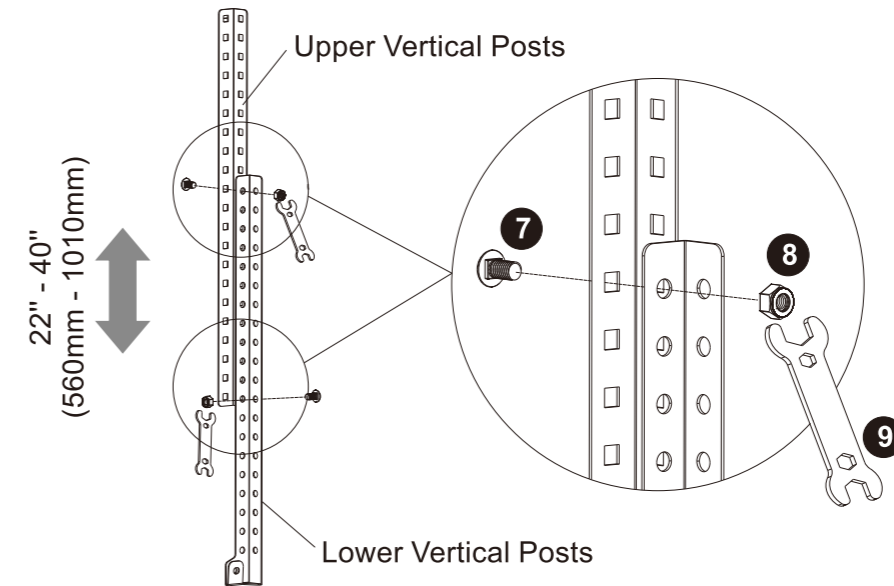
Tip 2: How to use metal expansion bolts

1. Push the metal expansion bolts into mounting holes.
2. Unscrew the nuts and washers.
3. Attach the ceiling brackets (1) and screw in the nuts and washers.
4. Fully tighten the nuts with wrench.



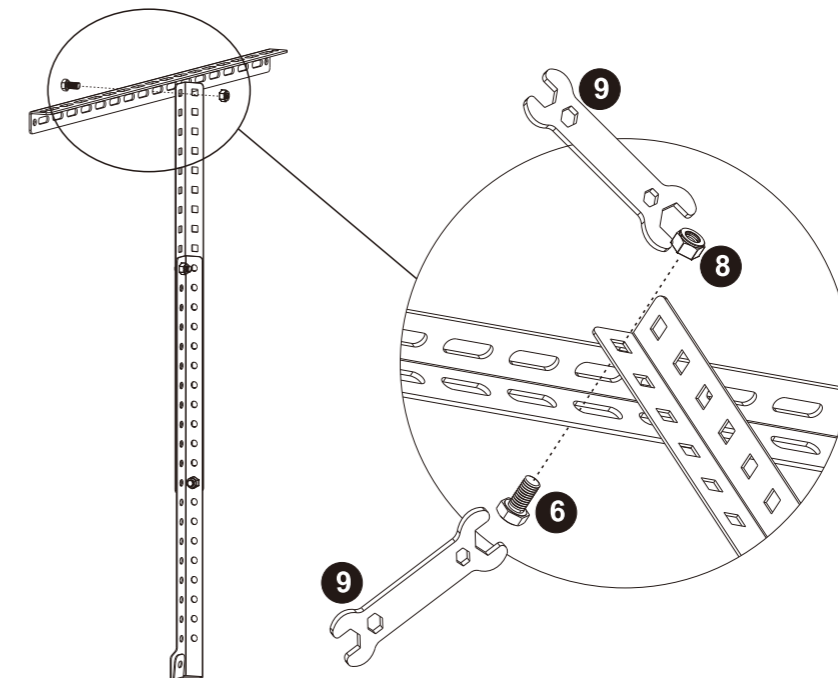
STEP 2: Assemble the Vertical Posts

1. Determine hanging height and overlap posts as desired between 22" - 40" (560mm - 1010mm).
2. Attach upper vertical posts (2) with lower vertical posts (3) using bolts (7) and nuts (8). Tighten with wrench (9).



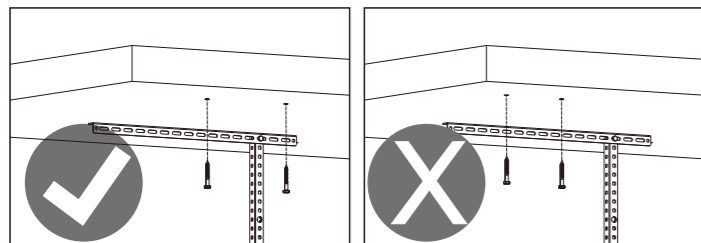
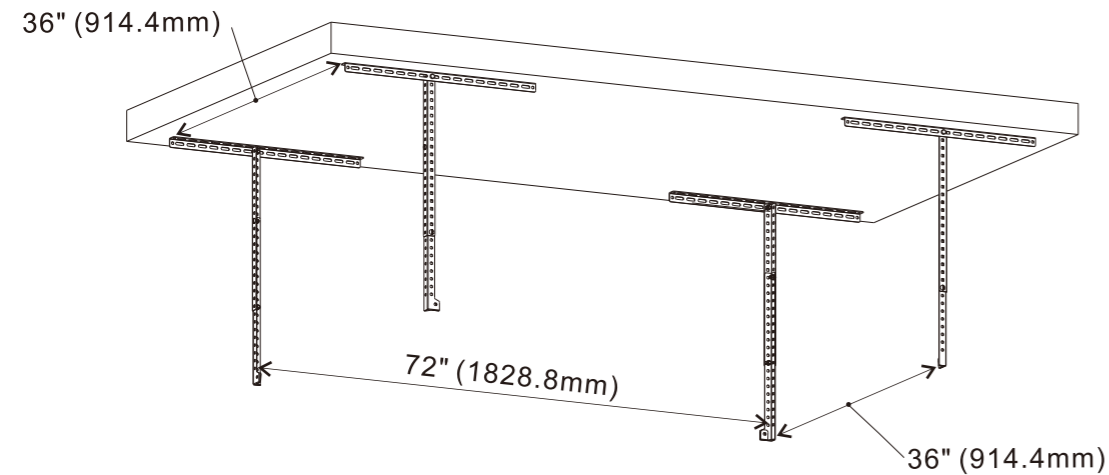
STEP 3: Attach Vertical Posts to Ceiling Brackets

1. Attach vertical posts to ceiling brackets using bolts (6) and nuts (8). Tighten with wrench (9).



STEP 3: Attach Vertical Posts to Ceiling Brackets

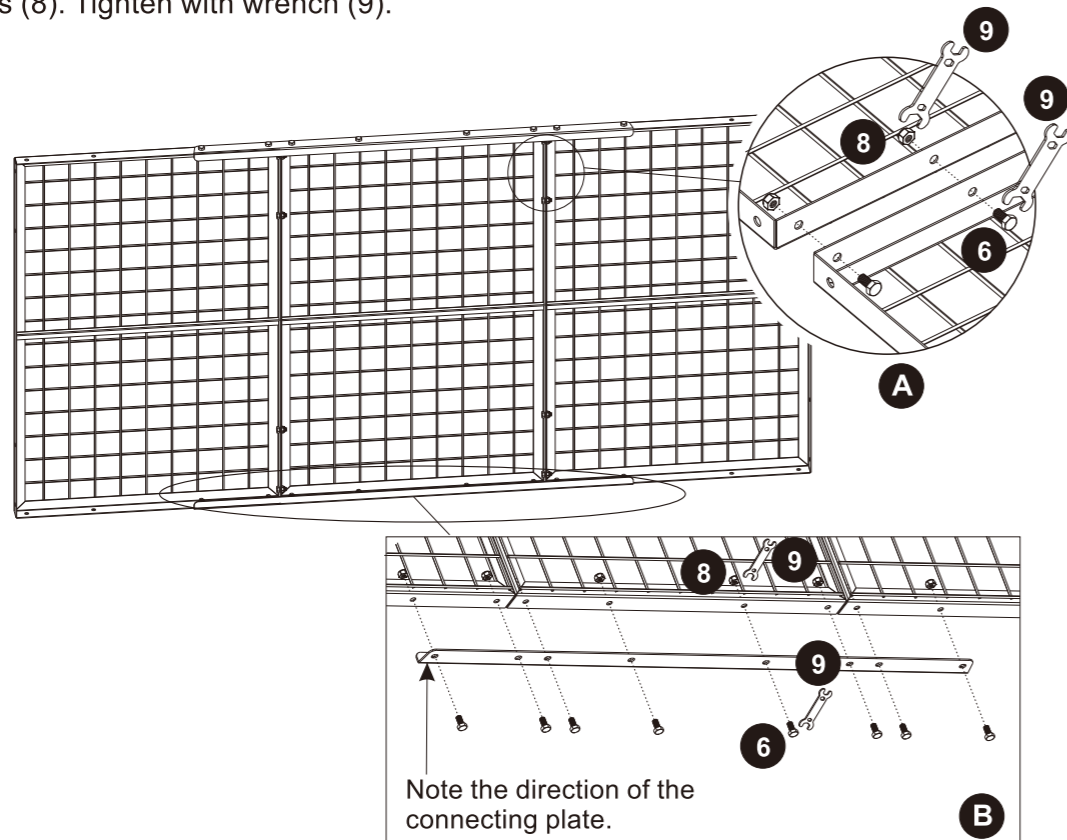
2. Make sure the distance between the posts are completely consistent with the figure shown below.



WARNING Always install the vertical posts between the bolts in the ceiling bracket. Do not attach the vertical posts outside. Otherwise the ceiling brackets will bend, causing personal injury or damage to your stored items if they fall.

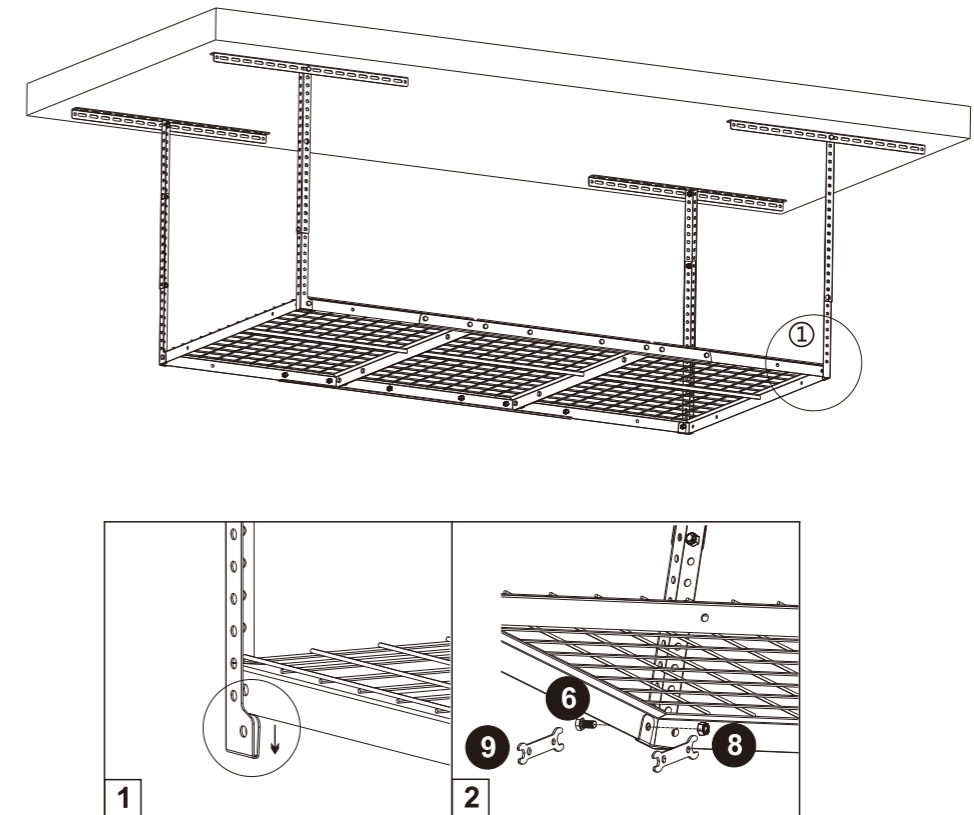
STEP 4: Assemble and Attach Wire Grids

- A.** As shown below, assemble the wire grids (5) together and attach them using bolts (6) and nuts (8). Tighten with wrench (9).
- B.** Attach the connecting plates (4) at the joints shown in the figure below, using the bolts (6) and nuts (8). Tighten with wrench (9).



STEP 5: Place and Attach Wire Grid

1. Insert the wire grid set. The corners of the grid fit into the slot of the vertical posts (3).
2. Tighten the screws (6) and nuts (8) with wrench (9).



CAUTION

This product contains small items that could be a choking hazard if swallowed. Keep these items away from young children.

- Make sure these instructions are read and completely understood before attempting installation. If you are unsure of any part of this installation, please contact a professional installer for assistance.
- The ceiling must be capable of supporting the combined weight of the garage rack and your stuff. Otherwise, the structure and weight capacity of the ceiling must be reinforced.
- Proper tools must be used. A minimum of two people are required for this installation. Failure to install properly can result in property damage or serious injury.
- Check joint parts every two months, making sure the screws have not loosened.
- This product is designed to be installed on a wooden ceiling or solid concrete ceiling. Before installation, make sure that the weight capacity of the ceiling will support the combined load of the rack and your stuff. Never exceed the maximum load capacity of the product 400 lbs (180 kg), or else it may result in product damage or physical injury.

Note: This product is intended for indoor use only. Use of this product outdoors could lead to product damage or physical injury.