

Metal Garage

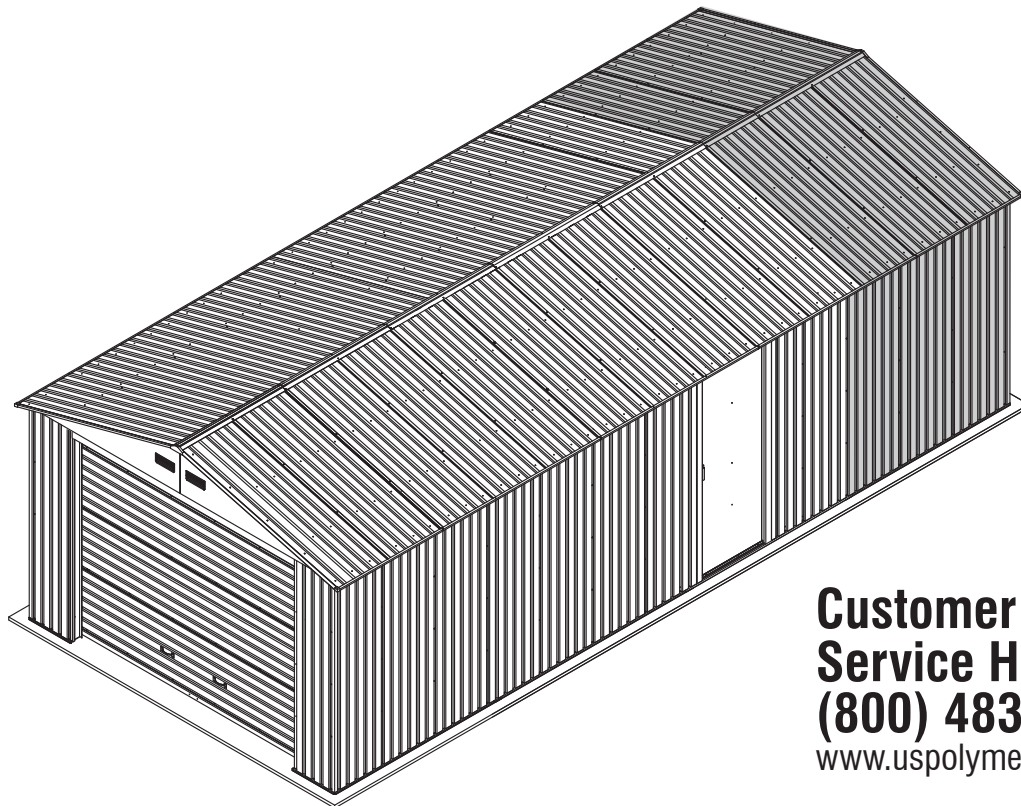
OWNER'S MANUAL /

Instructions for Assembly

Size 12 Ft x 20 Ft / 3.7 Mtr. x 6.1 Mtr. with

12 Ft x 6 Ft / 3.7 Mtr. x 1.8 Mtr. (Approx.) "Extension Kits"

Ver: 2.0



**Customer
Service Hotline**
(800) 483-4674
www.uspolymersinc.com

- Tall Walk in Garages
- Quick and Easy Assembly
- Ridge Reinforced Walls
- Wide Single Front Shutter Door

**PART 1
ASSEMBLING SHED WITH EXTENSION KIT
PART 2
ADDING EXTENSION KIT TO EXISTING SHED**

Call us for any missing or damaged parts.
Do not return to the store.

| Building Dimensions : | | | | | | | | | |
|-----------------------|----------------|----------------|--------------------|---------|-------------------|-----|--------------------|---------|-------|
| Approximate Size | Storage | | Exterior Dimension | | | | Interior Dimension | | |
| | Area | Volume | Base Dimension | | Roof Edge to Edge | | Wall to Wall | | |
| | | | inch | cm. | inch | cm. | inch | cm. | |
| 12 Ft x 6 Ft | 62 7/8 Sq. Ft. | 438 1/8 Cu.Ft. | Width | 138 1/8 | 350 | 145 | 368.2 | 127 1/2 | 324 |
| 3.7 Mtr. x 1.8 Mtr. | 5.8 Sq.Mtr. | 12.4 Cu.Mtr. | Depth | 71 | 180 | 71 | 180.2 | 71 | 180 |
| | | | Height | | | 102 | 259 | 83 5/8 | 212.5 |

Note - Basic shed dimensions are available in basic shed manual.

Duramax Garages Limited Ten Year Warranty

U.S. Polymer Inc. will send a replacement part free of charge, in the event of material defects and or workmanship for a period of ten years from the date of purchase.

This warranty is extended only to the original purchaser. A purchase receipt or other proof of date of original purchase will be required before warranty service is rendered. In no event shall we pay the cost of flooring, labor, installation or any other costs related thereto.

This warranty only covers failures due to defects in material or workmanship which occurs during normal use and does not extend to color change arising due to normal weathering or to damage resulting from misuse or neglect, commercial use, failure to follow assembly instructions and the owner's manual (including proper anchoring of the shed), painting, forces of nature and other causes which is beyond our control.

Claims under this warranty must be made within the warranty period by calling 1-800-483-4674 or mail in a dated sales slip and clear photograph of the part to:

U.S. Polymers, Inc.
1057 S.Vail Ave Montebello,
CA 90640

We reserve the right to discontinue or change components. If a component has been discontinued or is not available,
U.S. Polymers, Inc. reserves the right to substitute a component of equal quality as may be compatible.

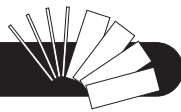
Limits and Exclusions

There are no express warranties except as listed above. The warrantor shall not be liable for incidental or consequential damages resulting from the use of this product, or arising out of any breach of this warranty. All express warranties are limited to the warranty period set forth above. Some states do not allow the exclusion or limitation on how long an implied warranty lasts, so the above limitations may not apply to you.

This warranty gives you specific legal rights and you may also have other rights which vary from state to state or country to country.

IMPORTANT: USE HAND GLOVES TO PREVENT INJURY.

12'x20' Parts List



Note: Check all parts prior to installation.

| ITEM | CODE | DESCRIPTION | QTY | ITEM | CODE | DESCRIPTION | QTY |
|------|------|---|-----|------|------|---|-----|
| 1 | BC01 | BASE CHANNEL SIDE LEFT & RIGHT | 4 | 63 | CS13 | TRIANGULAR PLATE LEFT | 2 |
| 2 | BC02 | BASE CHANNEL SIDE LEFT & RIGHT | 2 | 64 | CS14 | TRIANGULAR PLATE RIGHT | 2 |
| 3 | BC03 | BASE CHANNEL BACK LEFT | 1 | 65 | DF01 | DOOR FLASHING (TOP) | 1 |
| 4 | BC04 | BASE CHANNEL BACK RIGHT | 1 | 66 | DF02 | DOOR FLASHING SIDE (RIGHT) | 1 |
| 5 | BC05 | BASE CHANNEL FRONT LEFT & RIGHT | 2 | 67 | DF03 | DOOR FLASHING SIDE (LEFT) | 1 |
| 6 | FS01 | CENTER COLUMN PROFILE FRONT & BACK / LEFT & RIGHT | 4 | 68 | SD03 | SLIDING CHANNEL COVER | 1 |
| 7 | FS02 | CORNER COLUMN PROFILE FRONT & BACK / LEFT & RIGHT | 4 | 69 | BS01 | SHUTTER DOOR RUNNER | 2 |
| 8 | FS03 | COLUMN SUPPORT CENTER FRONT & BACK / LEFT & RIGHT | 12 | 70 | BS05 | TRIANGULAR PLATE OUTER FRONT & BACK | 2 |
| 9 | FS04 | HORIZONTAL TOP SUPPORT FRONT & BACK | 4 | 71 | BS06 | TRIANGULAR PLATE INNER LEFT | 2 |
| 10 | FS05 | TOP CHORD FRONT & BACK | 4 | 72 | BS07 | TRIANGULAR PLATE INNER RIGHT | 2 |
| 11 | FS06 | TOP CHORD SUPPORT FRONT & BACK | 4 | 73 | DP01 | SIDE DOOR PANEL WITH SLIDING WHEEL | 1 |
| 12 | FS07 | COLUMN SUPPORT BOTTOM FRONT & BACK / LEFT & RIGHT | 8 | 74 | GP01 | GABLE PANEL FRONT RIGHT / BACK LEFT | 2 |
| 13 | FS08 | TOP CHORD SUPPORT SHORT FRONT & BACK | 4 | 75 | GP02 | GABLE PANEL FRONT LEFT / BACK RIGHT | 2 |
| 14 | FS09 | GABLE PANEL SUPPORT FRONT LEFT & BACK RIGHT | 2 | 76 | BS12 | COUNTER WEIGHT DOUBLE WHEEL HOLDER | 1 |
| 15 | FS10 | GABLE PANEL SUPPORT FRONT RIGHT & BACK LEFT | 2 | 77 | BS13 | COUNTER WEIGHT SINGLE WHEEL HOLDER | 1 |
| 16 | FS11 | HORIZONTAL TOP SUPPORT BOTTOM JOINT | 6 | 78 | BS14 | BRACKET FOR HORIZONTAL SUPPORT FIXING | 4 |
| 17 | CS01 | SIDE COLUMN CENTER | 2 | 79 | BS15 | COUNTERB WEIGHT COVER FIXING BRACKET | 2 |
| 18 | CS02 | TOP CHORD CENTER FRONT RIGHT & BACK LEFT | 2 | 80 | BS16 | FRONT DOOR HANDLE BACK SUPPORT | 2 |
| 19 | CS03 | TOP CHORD CENTER FRONT LEFT & BACK RIGHT | 2 | 81 | WP01 | WALL PANELS | 17 |
| 20 | CS04 | TOP CHORD COVER LEFT & RIGHT | 4 | 82 | WP02 | WALL PANELS SIDE | 2 |
| 21 | CS05 | HORIZONTAL SUPPORT CENTER | 1 | 83 | WP03 | WALL PANELS DOOR SIDE (BIG) | 1 |
| 22 | CS08 | TOP CHORD JOINT CENTER | 1 | 84 | WP04 | WALL PANELS DOOR SIDE (SMALL) | 1 |
| 23 | CS10 | SIDE COLUMN CENTER | 2 | 85 | WP05 | WALL PANELS CORNER | 3 |
| 24 | CS11 | HORIZONTAL SUPPORT CENTER | 1 | 86 | WP06 | WALL PANELS CORNER | 1 |
| 25 | CS12 | TOP CHORD JOINT CENTER | 1 | 87 | WP07 | WALL PANELS | 1 |
| 26 | RS01 | ROOF SUPPORT LEFT & RIGHT | 11 | 88 | WP08 | WALL PANELS | 1 |
| 27 | RS02 | ROOF SUPPORT LEFT BOTTOM | 1 | 89 | RP01 | ROOF PANEL FRONT LEFT/BACK RIGHT | 2 |
| 28 | RS03 | HORIZONTAL SUPPORT TOP | 4 | 90 | RP02 | ROOF PANELS | 12 |
| 29 | RS04 | HORIZONTAL SUPPORT CROSS FRONT | 4 | 91 | RP03 | ROOF PANELS | 2 |
| 30 | RS05 | HORIZONTAL SUPPORT CROSS | 4 | 92 | RP04 | ROOF PANELS | 2 |
| 31 | WS01 | WALL TOP CHANNEL FRONT LEFT/BACK RIGHT | 2 | 93 | RP05 | ROOF PANEL FRONT RIGHT/BACK LEFT | 2 |
| 32 | WS02 | WALL TOP CHANNEL FRONT RIGHT/BACK LEFT | 2 | 94 | SP01 | SHUTTER DOOR PANELS BIG | 2 |
| 33 | WS03 | WALL TOP SUPPORT SIDE (LEFT/RIGHT) | 4 | 95 | SP02 | SHUTTER DOOR PANELS BIG BOTTOM | 1 |
| 34 | WS04 | WALL TOP SUPPORT CENTER (LEFT/RIGHT) | 2 | 96 | SP03 | SHUTTER DOOR PANELS | 1 |
| 35 | WS05 | WALL MIDDLE SUPPORT SIDE (LEFT/RIGHT) | 3 | 97 | CP01 | COLUMN SUPPORT PLATE CENTER (LEFT/ RIGHT) | 4 |
| 36 | WS06 | WALL MIDDLE CENTER (LEFT OR RIGHT) | 1 | 98 | CP02 | COLUMN SUPPORT PLATE CENTER (LEFT/ RIGHT) | 4 |
| 37 | WS07 | WALL MIDDLE CENTER (LEFT OR RIGHT) | 1 | 99 | CP03 | COLUMN SUPPORT PLATE CENTER (MIDDLE) | 2 |
| 38 | WS08 | WALL MIDDLE SUPPORT FRONT (LEFT/RIGHT) | 2 | 100 | BS17 | COUNTER WEIGHT COVER (P2 POST) | 1 |
| 39 | WS09 | WALL MIDDLE SUPPORT BACK (LEFT/RIGHT) | 2 | | | | |
| 40 | DF04 | SHUTTER DOOR RAIL VERTICAL (RIGHT) | 1 | | | | |
| 41 | DF05 | SHUTTER DOOR RAIL VERTICAL (LEFT) | 1 | | | | |
| 42 | DF06 | SHUTTER DOOR INNER TOP (LEFT) | 1 | | | | |
| 43 | DF07 | SHUTTER DOOR INNER TOP (RIGHT) | 1 | | | | |
| 44 | DS01 | SHUTTER DOOR STRIP (FRONT) | 1 | | | | |
| 45 | DS02 | SHUTTER DOOR STRIP (BACK) | 1 | | | | |
| 46 | DS03 | SHUTTER DOOR STRIP (CENTER) | 3 | | | | |
| 47 | SD01 | DOOR COLUMN PROFILE (LEFT) | 1 | | | | |
| 48 | SD02 | DOOR COLUMN PROFILE (RIGHT) | 1 | | | | |
| 49 | SD04 | SLIDING CHANNEL RAIL | 1 | | | | |
| 50 | SD05 | ENTRANCE TAPER CHANNEL | 1 | | | | |
| 51 | SD06 | DOOR PANEL MIDDLE SUPPORT | 3 | | | | |
| 52 | RF01 | ROOF FLASHING SIDE FRONT/BACK (LEFT & RIGHT) | 4 | | | | |
| 53 | RF02 | ROOF FLASHING SIDE CENTER (LEFT & RIGHT) | 4 | | | | |
| 54 | RF03 | ROOF FLASHING FRONT/BACK (LEFT & RIGHT) | 4 | | | | |
| 55 | RF04 | ROOF FLASHING CENTER | 3 | | | | |
| 56 | RF05 | ROOF FLASHING CENTER | 1 | | | | |
| 57 | RF06 | ROOF FLASHING CENTER | 1 | | | | |
| 58 | BS02 | BRACKET FOR ROOF SUPPORT | 16 | | | | |
| 59 | BS08 | ANGLE SUPPORT BRACKET | 8 | | | | |
| 60 | CS06 | STRUCTURE SIDE BRACKET (LEFT) | 2 | | | | |
| 61 | CS07 | STRUCTURE SIDE BRACKET (RIGHT) | 2 | | | | |
| 62 | CS09 | REINFORCEMENT SIDE CENTER COLUMN | 4 | | | | |

Tools You Will Need

| | |
|-------------------------------|-------------------|
| Hand Gloves | 8' Step Ladder |
| Cordless Drill - Philips Head | Adjustable pliers |
| Screw driver - Philips Head | Level - 3ft. |
| Carpenter's Square | Tape Measure |
| Eye Protector | |
| Plumb Line | |

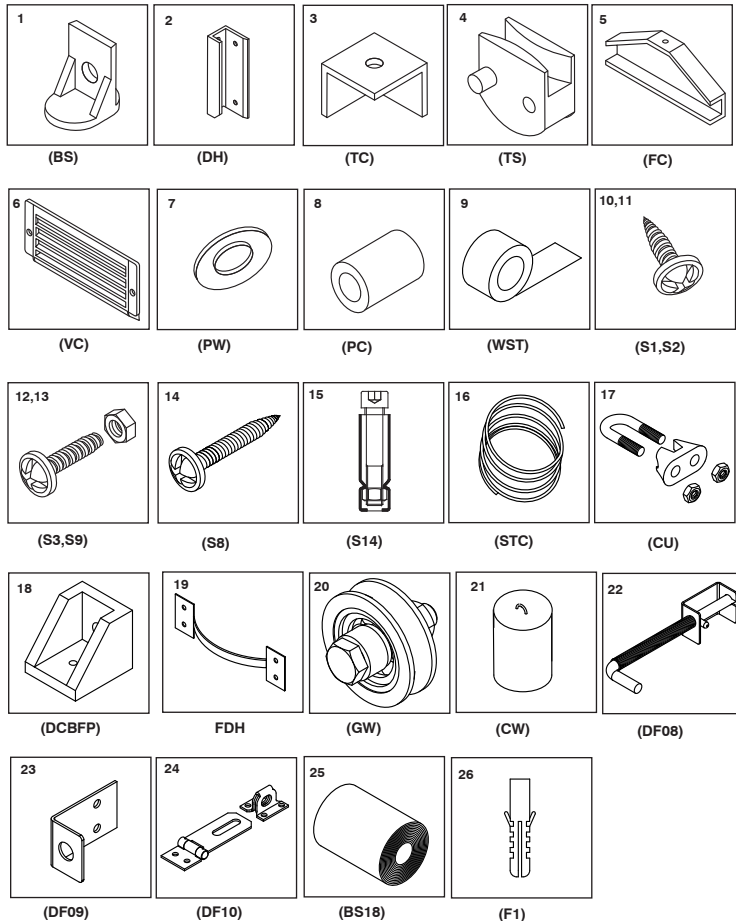
Note - Use screwdriver to separate out Nested profiles

IMPORTANT: USE HAND GLOVES TO PREVENT INJURY.

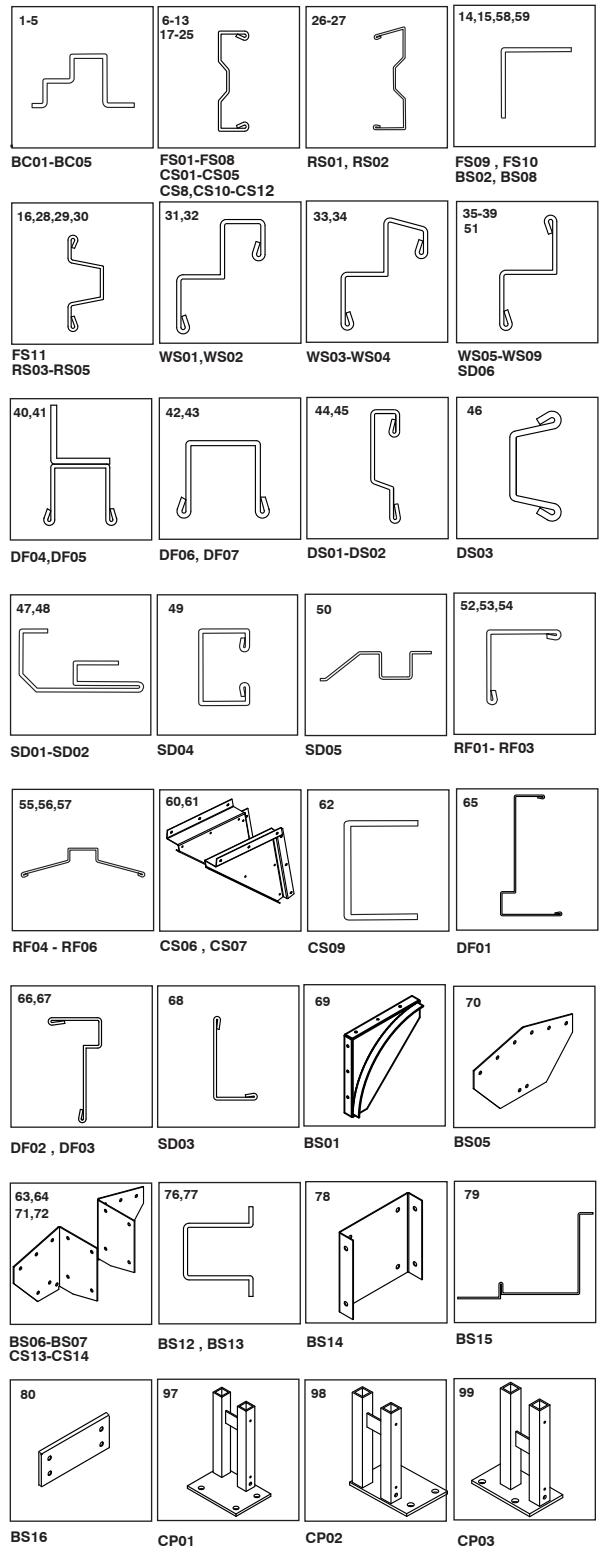
ACCESSORIES

| ITEM | CODE | DESCRIPTION | QTY |
|------|-------|---|---------|
| 1 | BS | BOTTOM SLIDER | 3 |
| 2 | DH | DOOR HANDLE | 3 |
| 3 | TC | TOP CORNER | 4 |
| 4 | TS | TOP SLIDER | 2 |
| 5 | FC | FLASHING END CAP | 2 |
| 6 | VC | VENTILATION COVER | 4 |
| 7 | PW | PLASTIC WASHER | 7 Slabs |
| 8 | PC | PLASTIC SCREW COVER | 4 Slabs |
| 9 | WST | WEATHER STRIPPING TAPE | 8 Mtr |
| 10 | S1 | DIA. 4.2 x 10mm. (M5/32" x 3/8") SHEET METAL SCREW | 673 |
| 11 | S2 | DIA. 4.2 x 16mm. (5/32" x 5/8") SHEET METAL SCREW | 369 |
| 12 | S3 | M4 x 10mm. (M5/32" x 3/8") MACHINE SCREW WITH NUT | 259 |
| 13 | S8 | 4.2 x 32mm. SHEET METAL SCREW | 27 |
| 14 | S9 | M4 x 15mm. MACHINE SCREW WITH NUT | 30 |
| 15 | S14 | M8 x 80mm. ANCHOR BOLT | 32 |
| 16 | STC | STEEL CABLE SIZE 4MM DIA. (WITH SLEEVE) | 5.1Mtr |
| 17 | CU | G.I CLIPS(U-TYPE) SIE M4 WITH NUTS | 2 |
| 18 | DCBFP | DOOR COLUMN BOTTOM FITTING | 2 |
| 19 | FDH | FRONT DOOR HANDLE | 2 |
| 20 | GW | GUIDE WHEEL | 3 |
| 21 | CW | COUNTER WEIGHT | 5.0kg |
| 22 | DF08 | FRONT DOOR TOWER BOLT ASSEMBLY | 1 |
| 23 | DF09 | FRONT DOOR TOWER BOLT ANGLE | 1 |
| 24 | DF10 | PAD LOCK FOR SIDE DOOR | 1 |
| 25 | BS18 | FRONT COVER RUBBER | 1 |
| 26 | F1 | PVC HOLE PLUGS | 27 |

ACCESSORIES



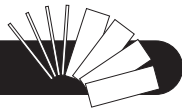
PROFILES



Note - Use screws with plastic washers on top of pre-painted surface only.

IMPORTANT: USE HAND GLOVES TO PREVENT INJURY.

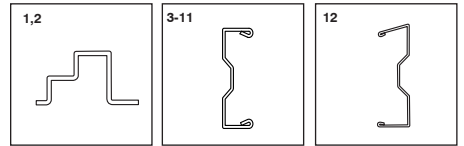
One Extension Parts List



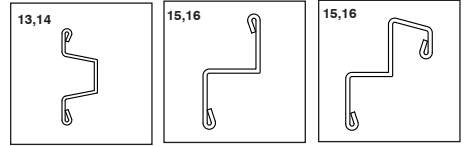
Note: Check all parts prior to installation.

| ITEM | CODE | DESCRIPTION | QTY |
|------|-------|--|-----|
| 1 | EBC01 | BASE CHANNEL EXTENSION LEFT | 1 |
| 2 | EBC02 | BASE CHANNEL EXTENSION RIGHT | 1 |
| 3 | CS01 | SIDE COLUMN CENTER | 2 |
| 4 | CS02 | TOP CHORD CENTER FRONT RIGHT &BACK LEFT | 2 |
| 5 | CS03 | TOP CHORD CENTER FRONT LEFT &BACK RIGHT | 2 |
| 6 | CS04 | TOP CHORD COVER LEFT & RIGHT | 4 |
| 7 | CS05 | HORIZONTAL SUPPORT CENTER | 1 |
| 8 | CS08 | TOP CHORD JOINT CENTER | 1 |
| 9 | CS10 | SIDE COLUMN CENTER | 2 |
| 10 | CS11 | HORIZONTAL SUPPORT CENTER | 1 |
| 11 | CS12 | TOP CHORD JOINT CENTER | 1 |
| 12 | ERS01 | ROOF SUPPORT LEFT & RIGHT | 6 |
| 13 | RS03 | HORIZONTAL SUPPORT TOP | 1 |
| 14 | RS05 | HORIZONTAL SUPPORT CROSS | 2 |
| 15 | EWS01 | WALL MIDDLE SUPPORT SIDE EXTENSION LEFT | 1 |
| 16 | EWS02 | WALL MIDDLE SUPPORT SIDE EXTENSION RIGHT | 1 |
| 17 | EWS03 | WALL TOP SUPPORT SIDE EXTENSION LEFT | 1 |
| 18 | EWS04 | WALL TOP SUPPORT SIDE EXTENSION RIGHT | 1 |
| 19 | RF02 | ROOF FLASHING SIDE CENTER(LEFT&RIGHT) | 2 |
| 20 | RF04 | ROOF FLASHING CENTER | 1 |
| 21 | ERF04 | ROOF FLASHING CENTER | 1 |
| 22 | BS02 | BRACKET FOR ROOF SUPPORT | 8 |
| 23 | CS06 | STRUCTURE SIDE BRACKET(LEFT) | 2 |
| 24 | CS07 | STRUCTURE SIDE BRACKET(RIGHT) | 2 |
| 25 | CS09 | REINFORCEMENT SIDE CENTER COLUMN | 4 |
| 26 | CS13 | TRIANGULAR PLATES LEFT | 2 |
| 27 | CS14 | TRIANGULAR PLATES RIGHT | 2 |
| 28 | WP01 | WALL PANELS SIDE | 6 |
| 29 | RP02 | ROOF PANEL | 3 |
| 30 | RP06 | ROOF PANEL | 3 |
| 31 | CP03 | COLUMN SUPPORT PLATE CENTER (MIDDLE) | 2 |

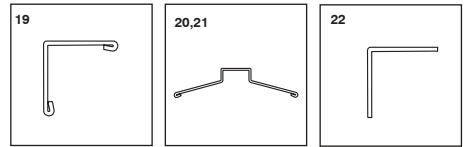
PROFILES



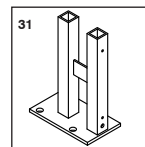
EBC01, EBC02 ERS01 CS01-CS05
CS8, CS10-CS12



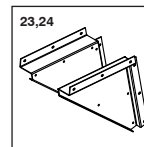
RS03, RS05 EWS01, EWS02 EWS03, EWS04



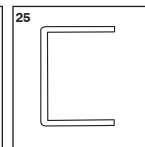
RF02 RF04, ERF04 BS02



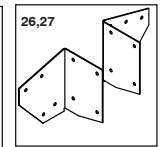
CP03



CS06, CS07

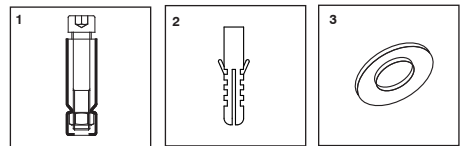


CS09

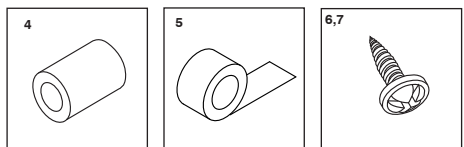


CS13, CS14

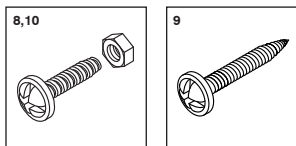
ACCESSORIES



(S14) (F1) (PW)



(PC) (WST) (S1,S2)



(S3,S9) (S8)

ACCESSORIES

| ITEM | CODE | DESCRIPTION | QTY |
|------|------|---|---------|
| 1 | S14 | M8 x 80mm. ANCHOR BOLT | 8 |
| 2 | F1 | PVC HOLE PLUGS | 6 |
| 3 | PW | PLASTIC WASHER | 2 Slabs |
| 4 | PC | PLASTIC SCREW COVER | 1 Slab |
| 5 | WST | WEATHER STRIPPING TAPE | 2.5 Mtr |
| 6 | S1 | DIA. 4.2 x 10mm. (M5/32" x 3/8") SHEET METAL SCREW | 169 |
| 7 | S2 | DIA. 4.2 x 16mm. (5/32" x 5/8") SHEET METAL SCREW | 128 |
| 8 | S3 | M4 x 10mm. (M5/32" x 3/8") MACHINE SCREW WITH NUT | 72 |
| 9 | S8 | 4.2 x 32mm.SHEET METAL SCREW | 6 |
| 10 | S9 | M4 x 15mm. MACHINE SCREW WITH NUT | 6 |

Note - Use screws with plastic washers on top of pre-painted surface only.

IMPORTANT: USE HAND GLOVES TO PREVENT INJURY.

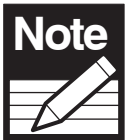
PART 1 : Assembling Shed with Extension Kit

A. Foundation, Column Stands & Base Channel

Note: It is important that these instructions are followed step by step.

Concrete Platform

The shed must be constructed on a solid base foundation. A concrete pad or a large size concrete patio stone squares is recommended for suitable floor base. Make sure it is firm and level and will allow drainage away from the site. The base foundation should be at least 4 inches(100mm)larger than the shed dimensions. Please refer to the front page of your owner's manual for the exterior dimensions of the shed. **Manufacturer is not responsible for the choice and construction of the foundation**



Note For a concrete pad base, prepare a level bed for a firm footing layer of crushed stone. The concrete pad should then be poured to a thickness of 4 inches (100mm) to 5 inches (125mm). Allow to dry thoroughly for at least 48 hours

Step - 1

Anchor Bolt Holes for Column Support



Use 12mm(1/2 Inch) Concrete drill bit.

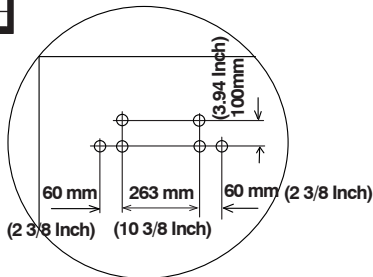


Fig.1

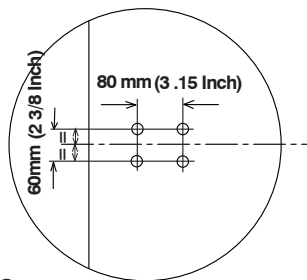


Fig.2

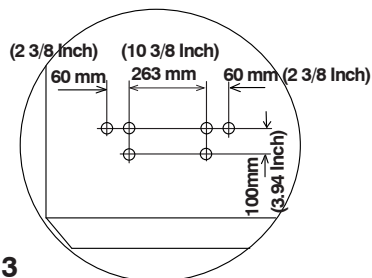


Fig.3

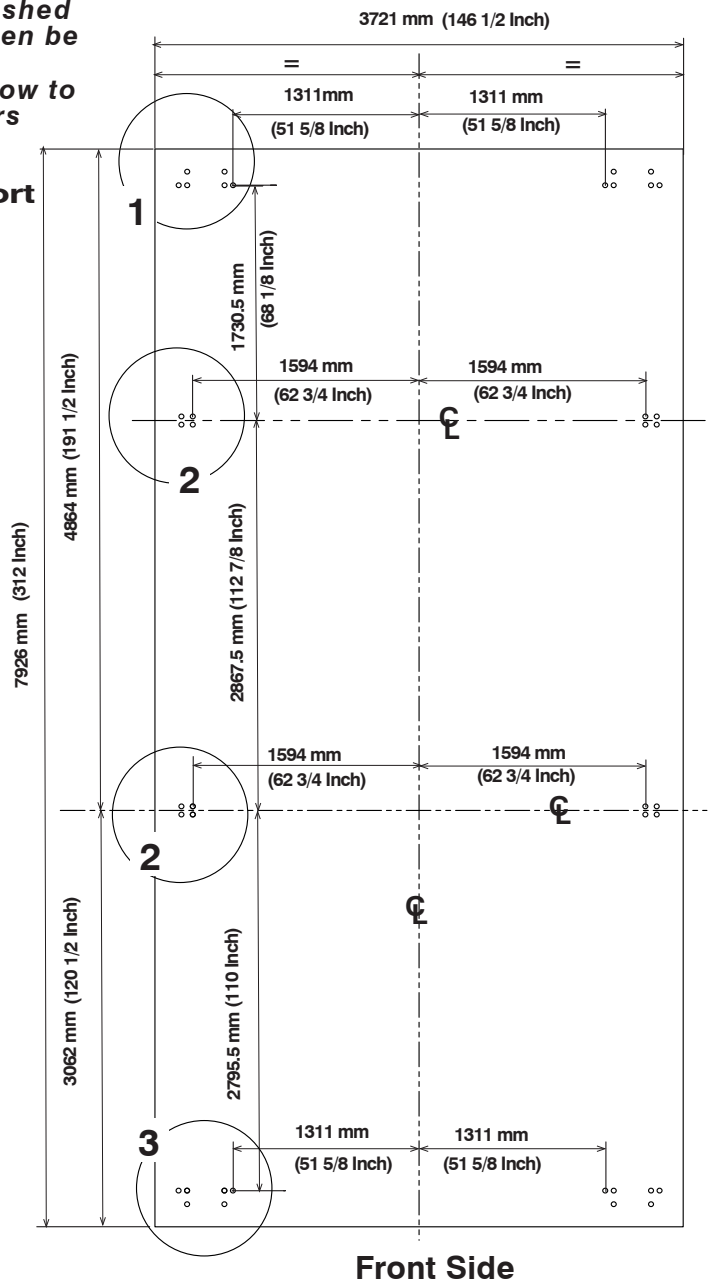
Parts Needed:

| Code | Qty |
|------|-----|
| BC01 | 4 |
| BC02 | 2 |
| BC03 | 1 |
| BC04 | 1 |
| BC05 | 2 |
| CP01 | 4 |
| CP02 | 4 |
| CP03 | 2 |
| S1 | 28 |
| S8 | 27 |
| S14 | 32 |
| F1 | 27 |

Parts Needed for each extension:

| Code | Qty |
|-------|-----|
| EBC01 | 1 |
| EBC02 | 1 |
| CP03 | 2 |
| S1 | 8 |
| S8 | 6 |
| S14 | 8 |
| F1 | 6 |

Back Side



Front Side

IMPORTANT: USE HAND GLOVES TO PREVENT INJURY.

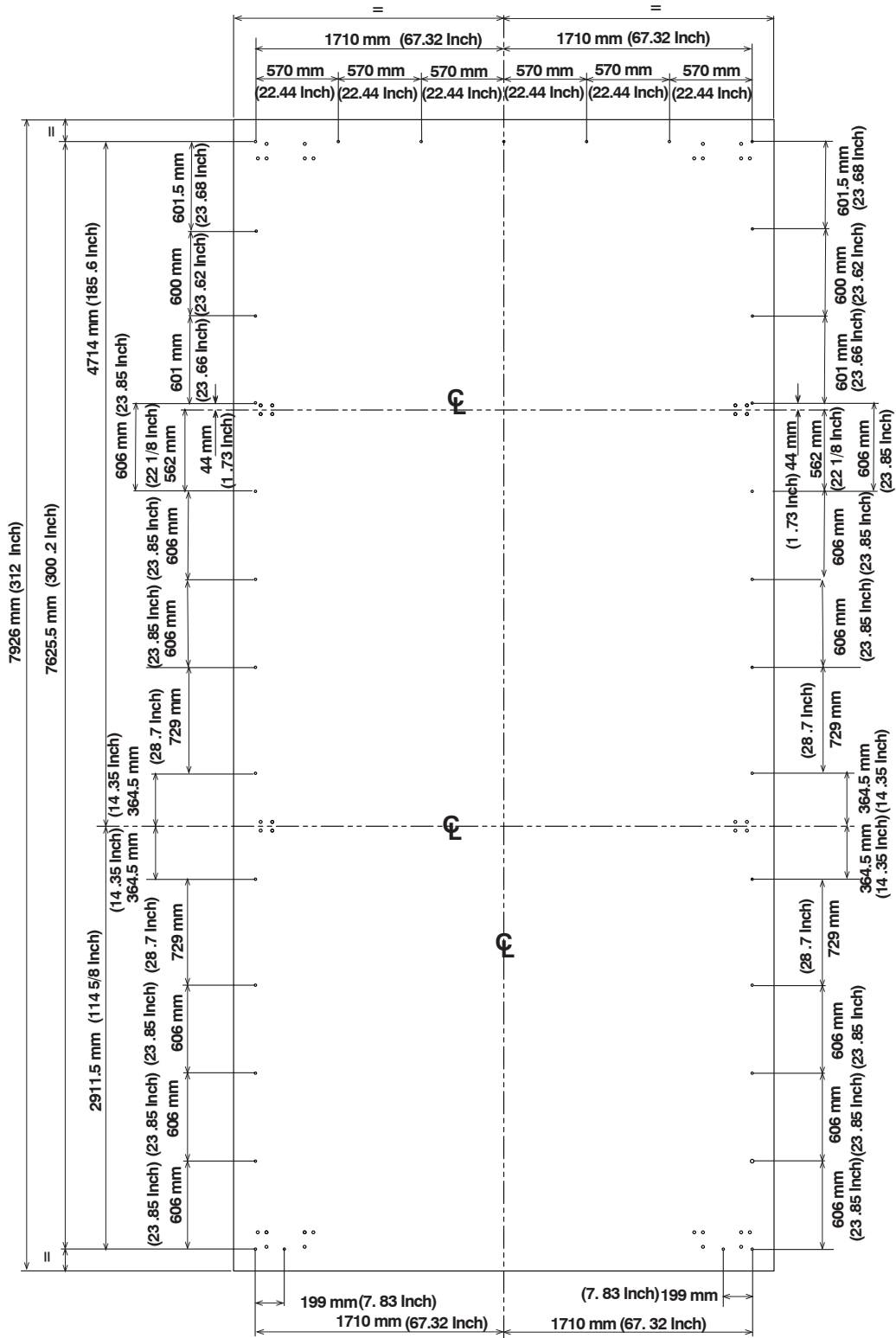
Step - 2

PVC Wall Plug Holes for Base Channel



Use 6 mm (1/4 Inch) Concrete drill bit.

Back Side

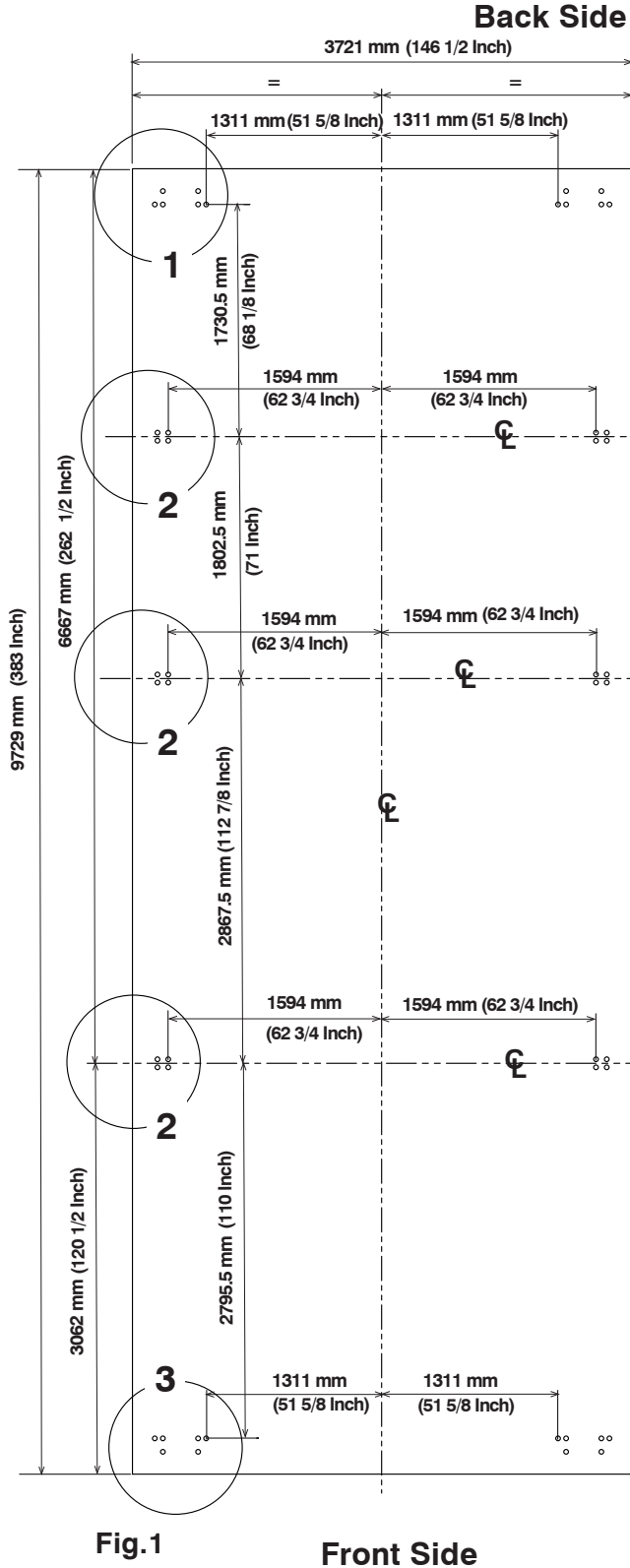


Front Side

Hole Dimensions of Garage with Two Extension

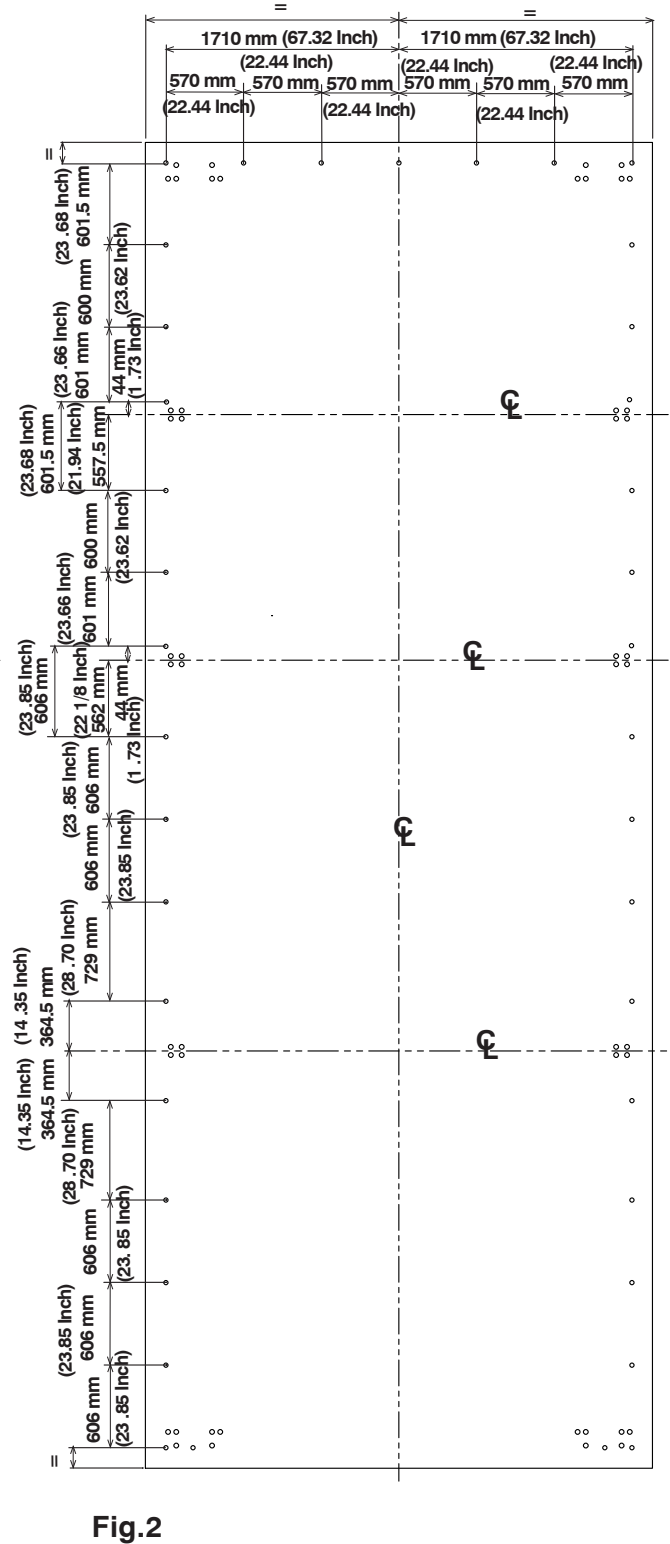
1.Anchor Bolt Holes for Column Support

Details see Page1&2.

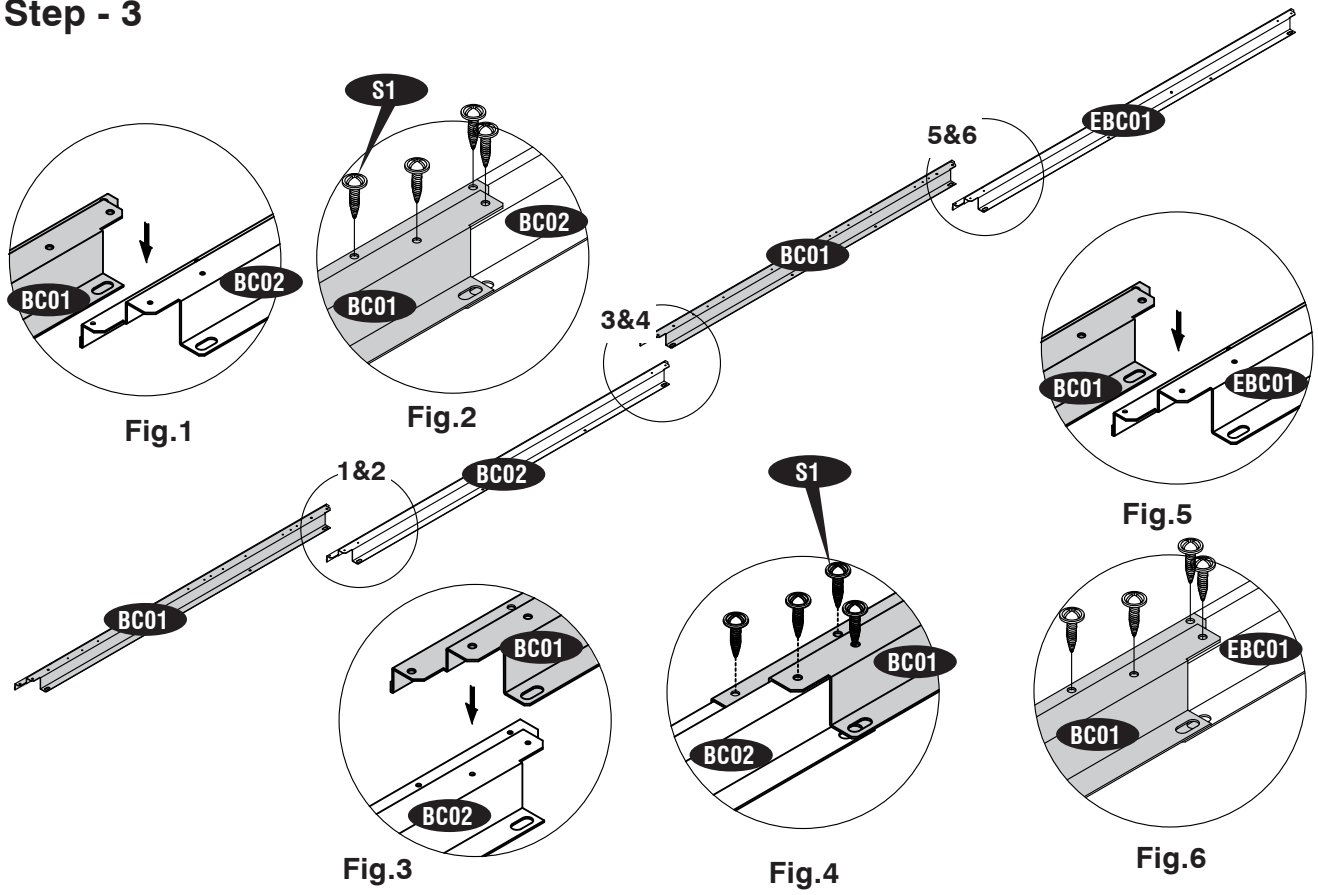


2.PVC Wall Plug Holes for Base Channel

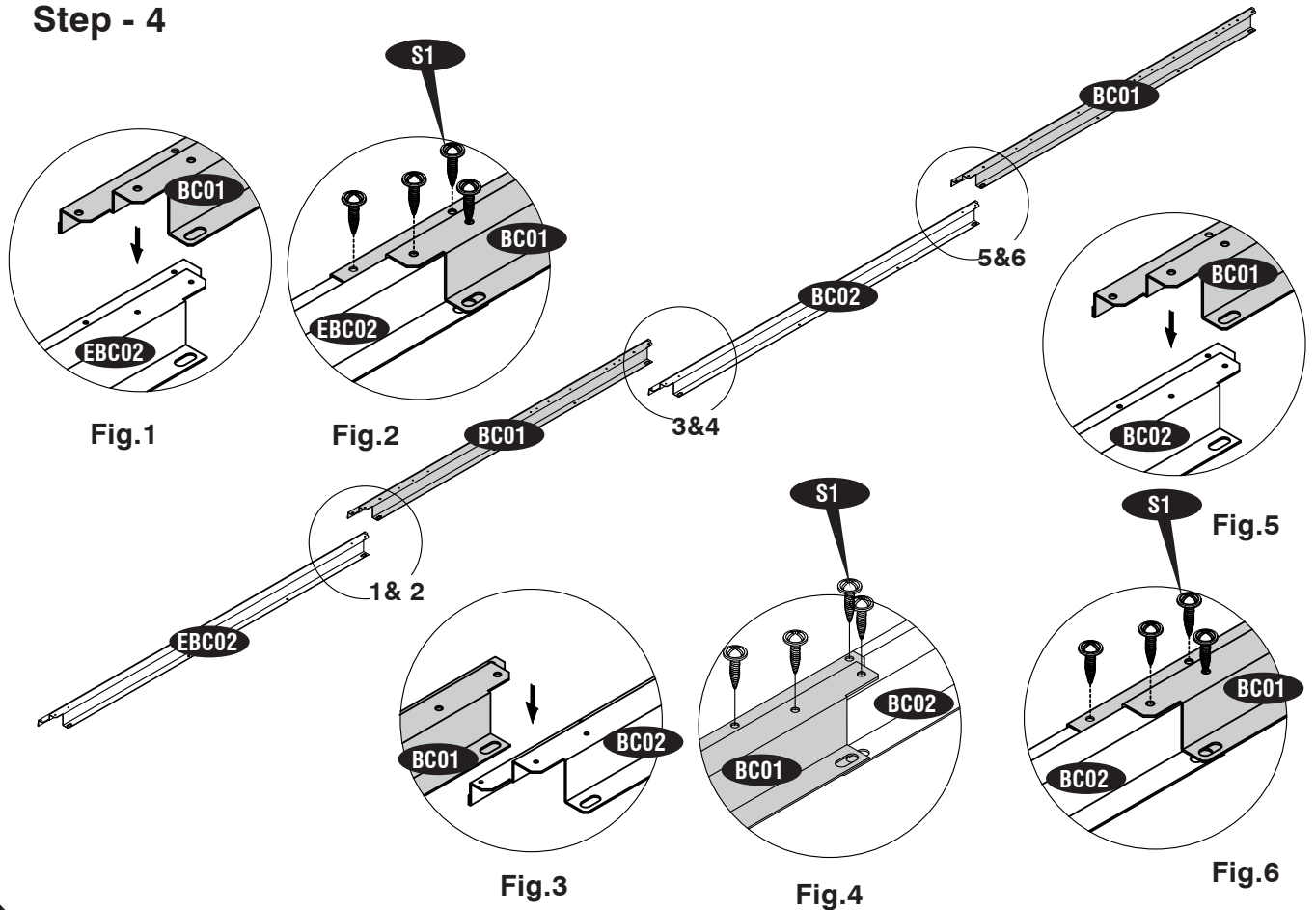
Details see Page1&2.



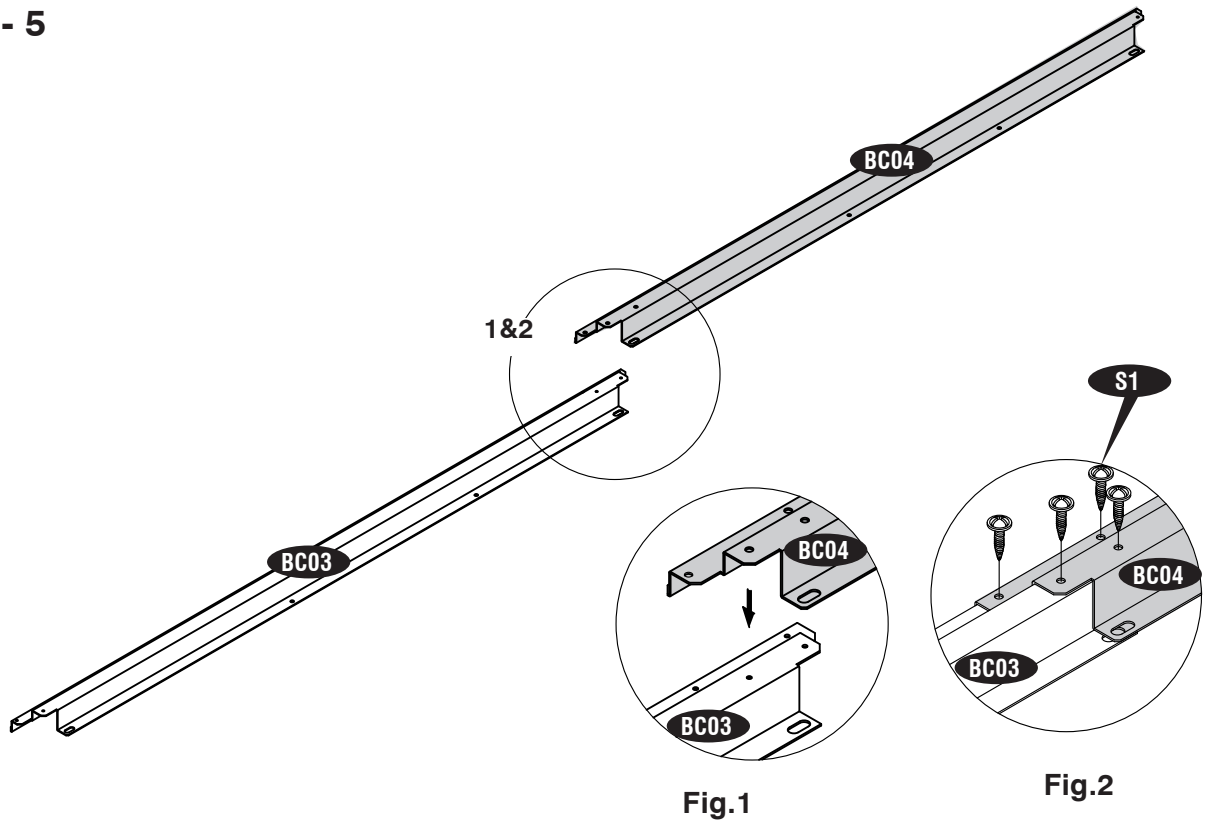
Step - 3



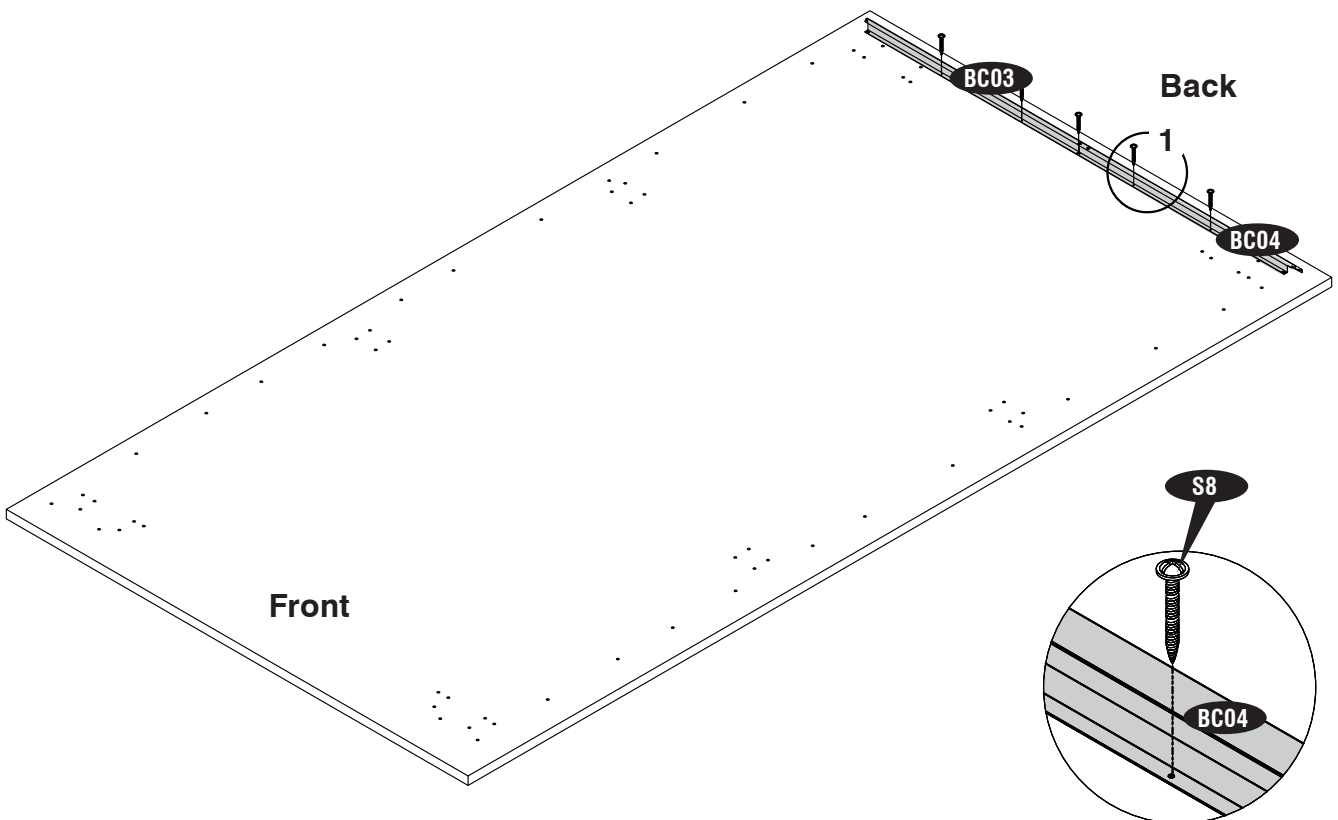
Step - 4



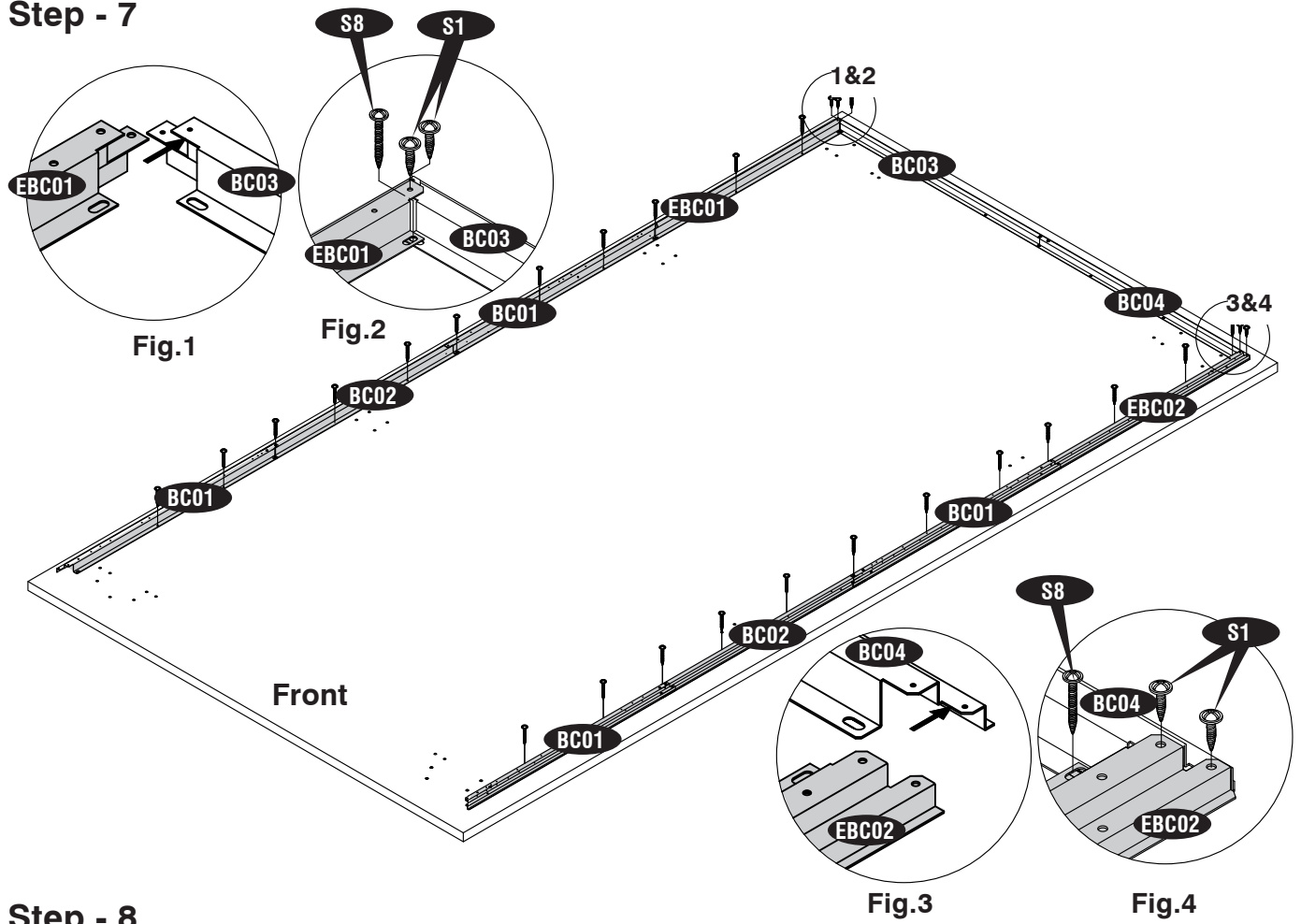
Step - 5



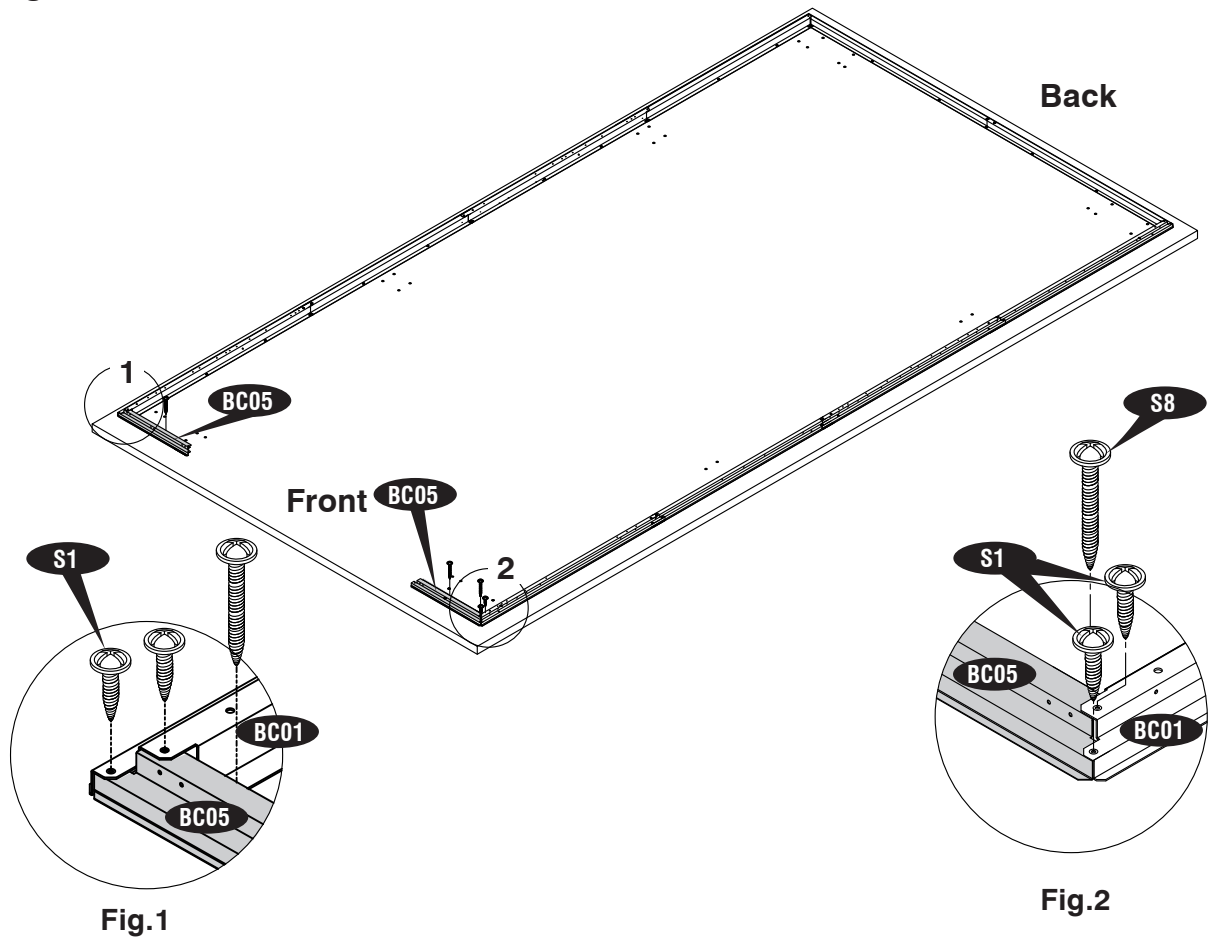
Step - 6



Step - 7



Step - 8



IMPORTANT: USE HAND GLOVES TO PREVENT INJURY.

Step - 9

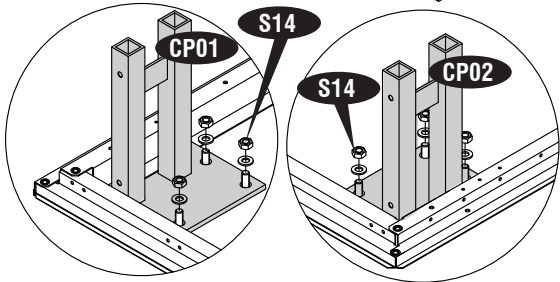
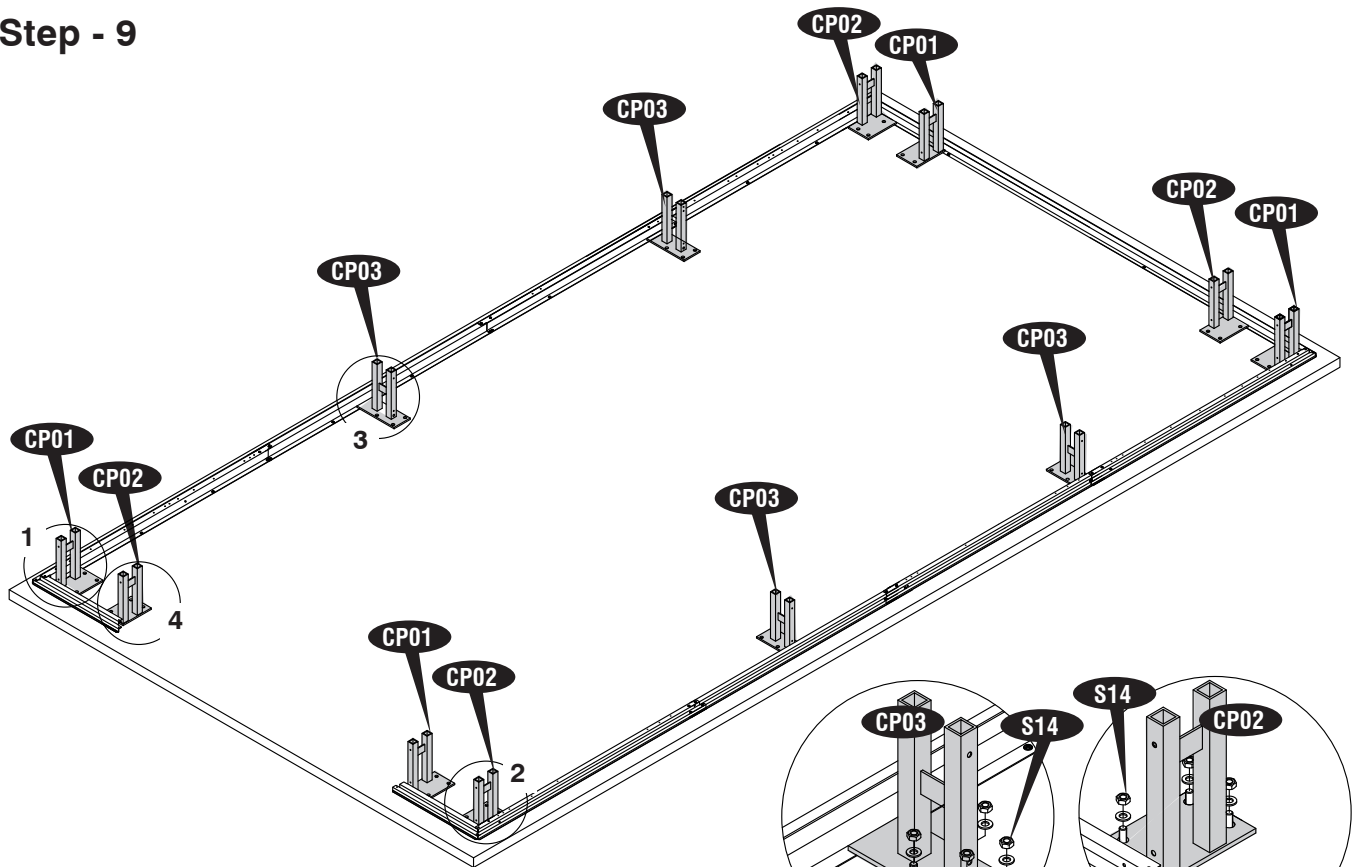


Fig.1

Fig.2

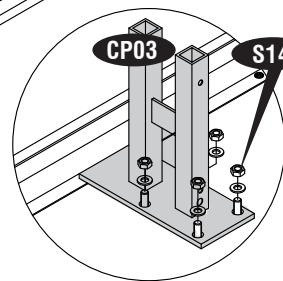


Fig.3

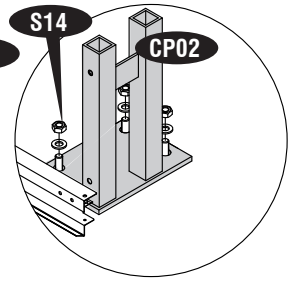
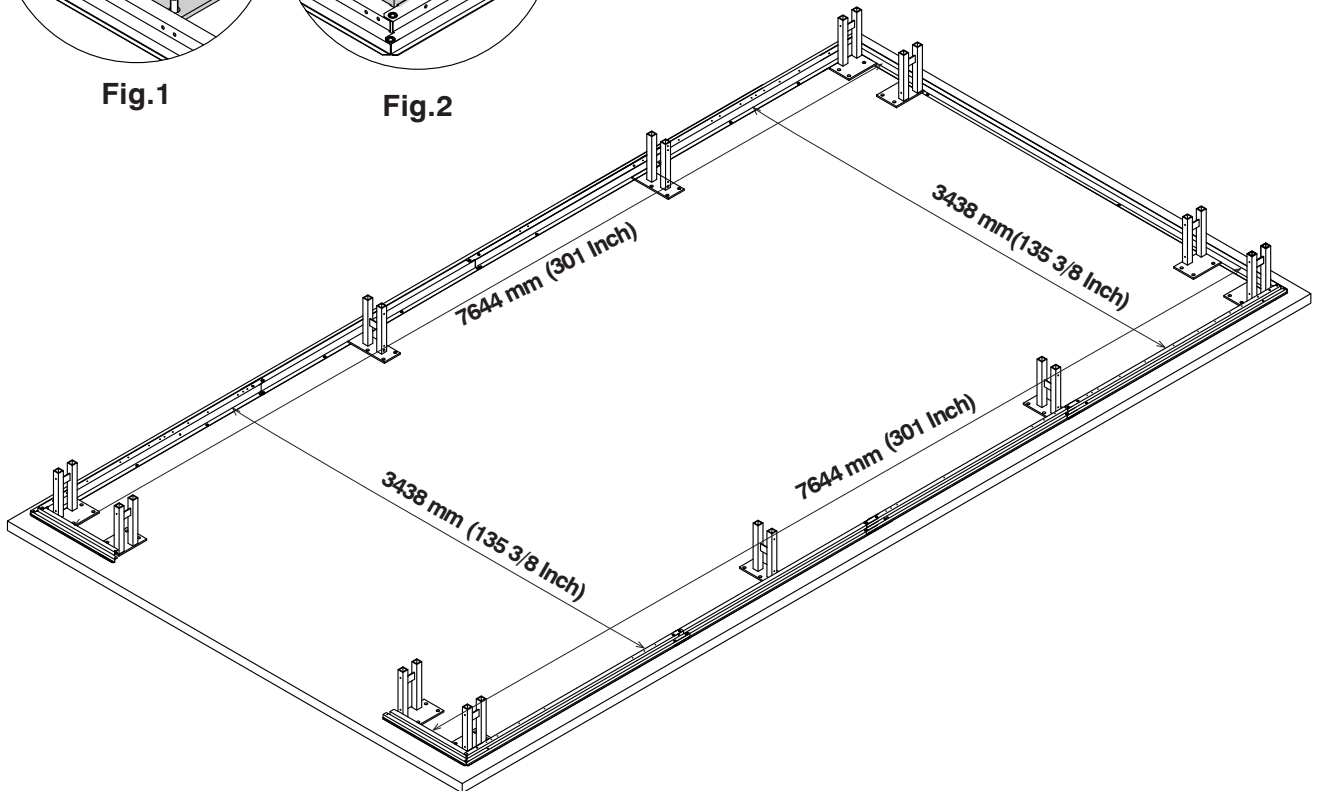


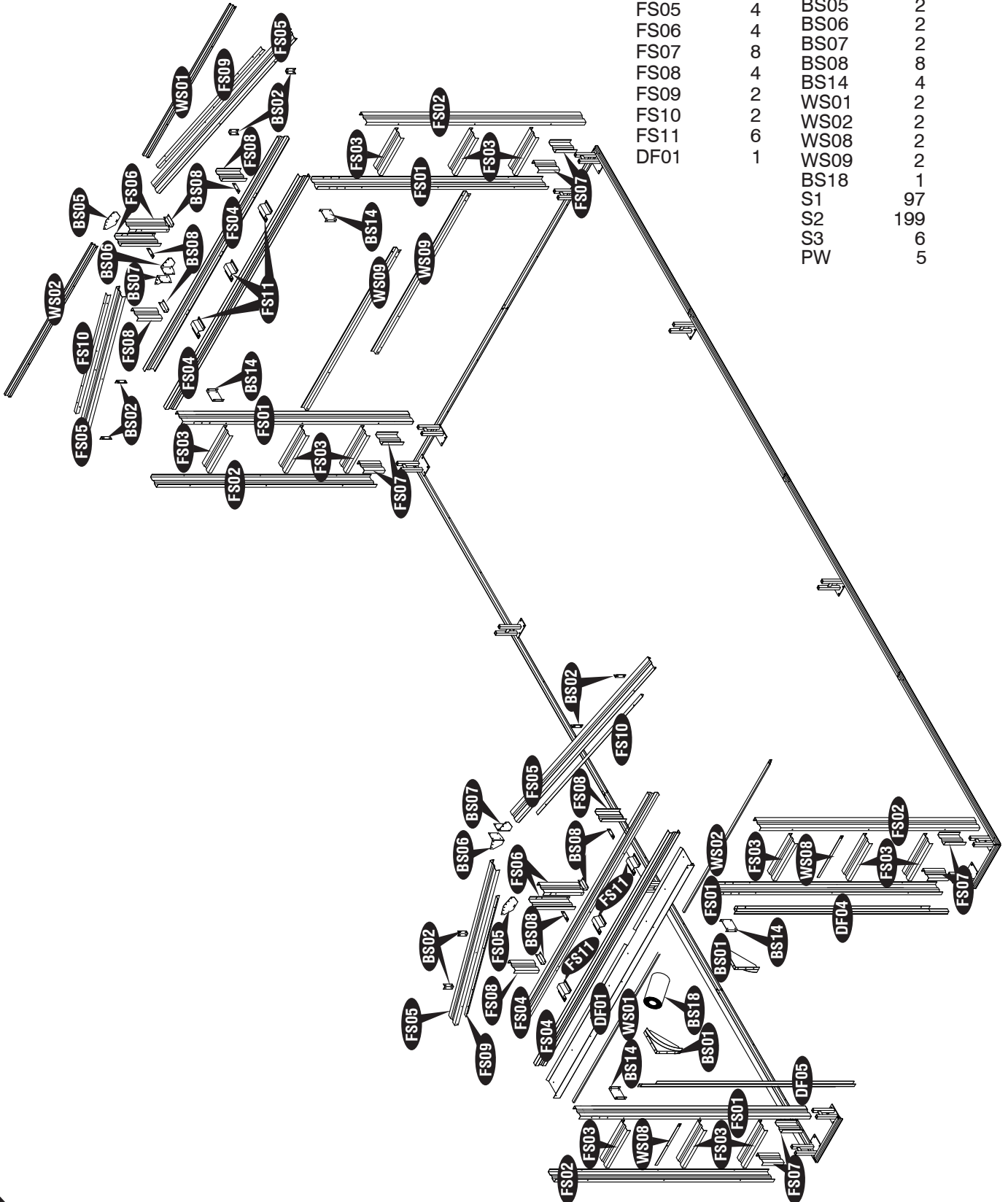
Fig.4



B. Front & Back Structure Assembly

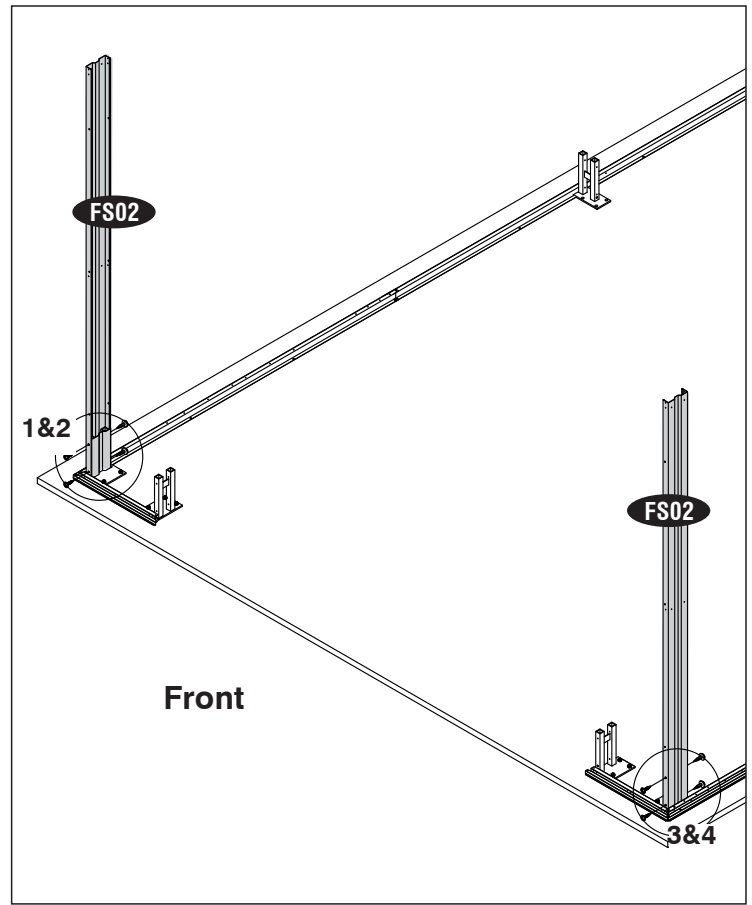
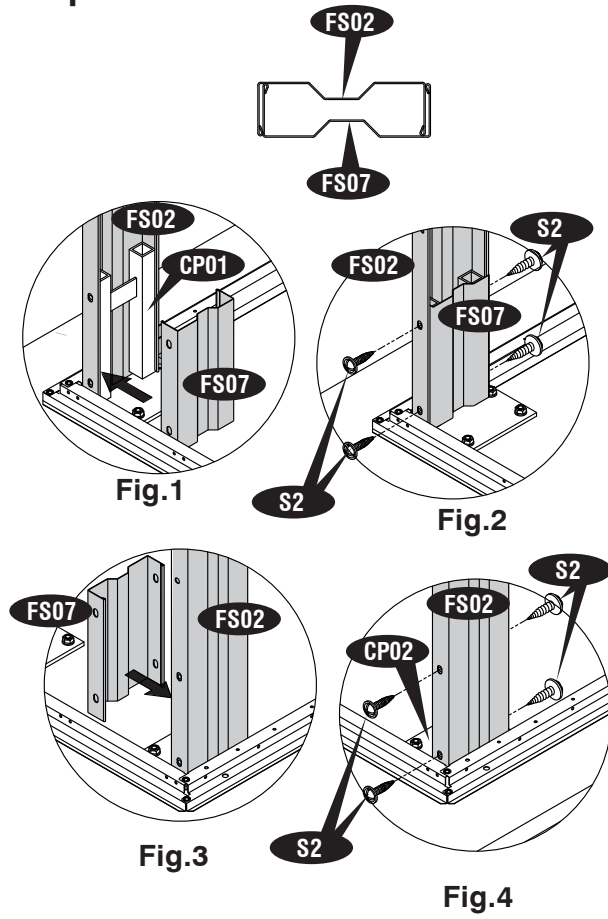
Parts Needed:

| Code | Qty | Code | Qty |
|------|-----|------|-----|
| FS01 | 4 | DF04 | 1 |
| FS02 | 4 | DF05 | 1 |
| FS03 | 12 | BS01 | 2 |
| FS04 | 4 | BS02 | 8 |
| FS05 | 4 | BS05 | 2 |
| FS06 | 4 | BS06 | 2 |
| FS07 | 8 | BS07 | 2 |
| FS08 | 4 | BS08 | 8 |
| FS09 | 2 | BS14 | 4 |
| FS10 | 2 | WS01 | 2 |
| FS11 | 6 | WS02 | 2 |
| DF01 | 1 | WS08 | 2 |
| | | WS09 | 2 |
| | | BS18 | 1 |
| | | S1 | 97 |
| | | S2 | 199 |
| | | S3 | 6 |
| | | PW | 5 |

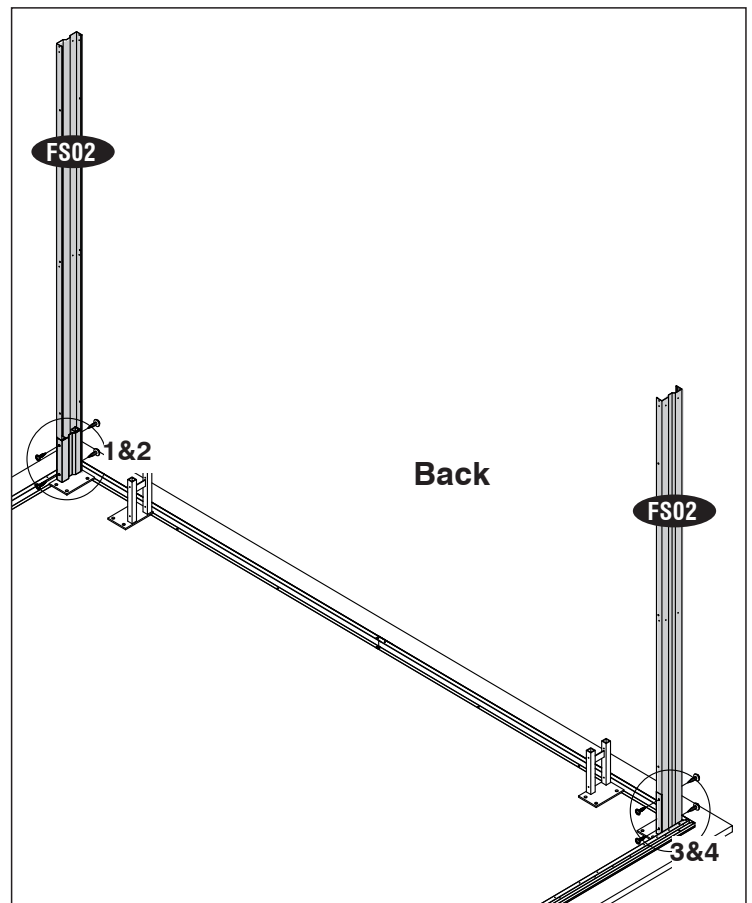
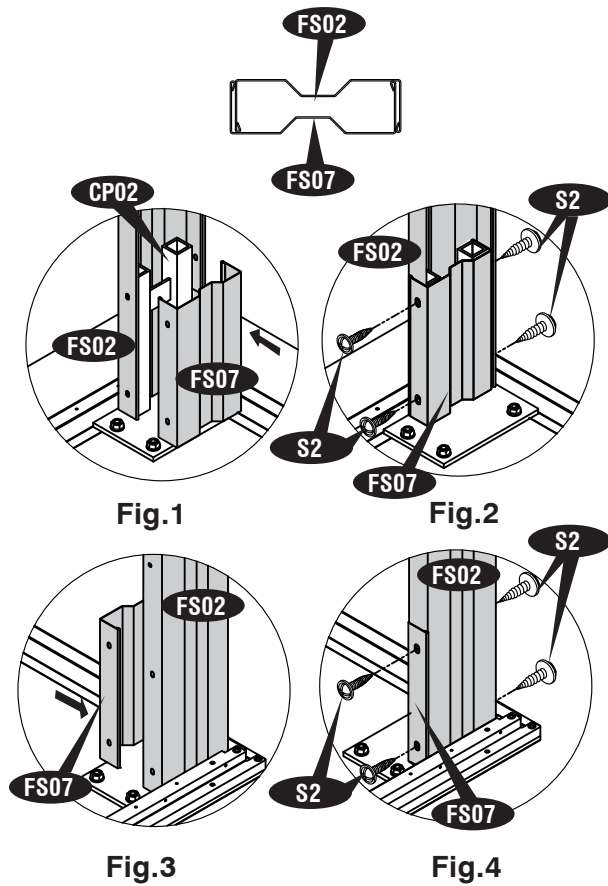


IMPORTANT: USE HAND GLOVES TO PREVENT INJURY.

Step - 1



Step - 2



IMPORTANT: USE HAND GLOVES TO PREVENT INJURY.

Step - 3

Make 4 Sets

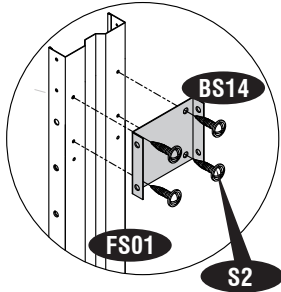


Fig.1

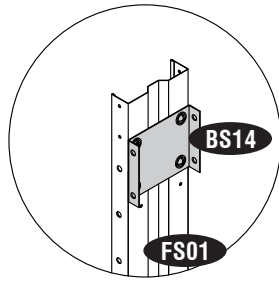
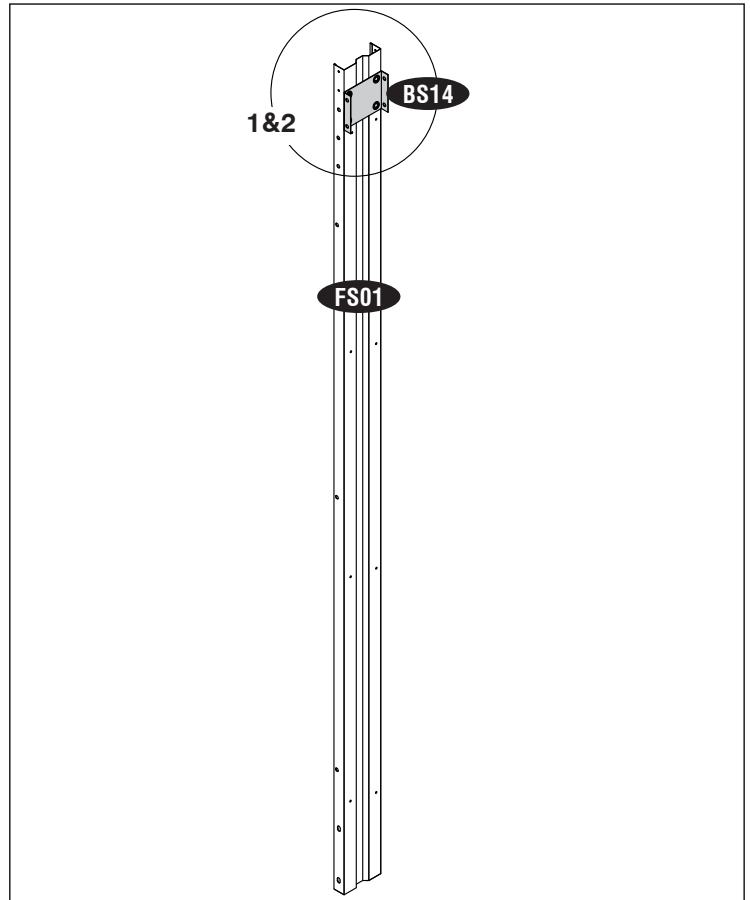


Fig.2



Step - 4

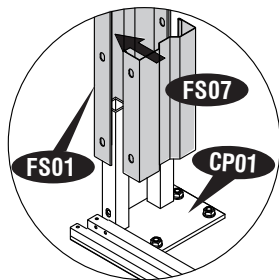
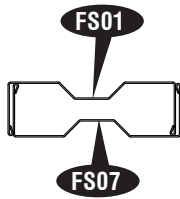


Fig.1

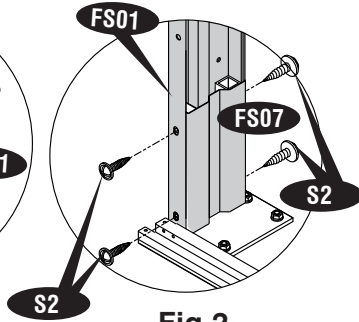


Fig.2

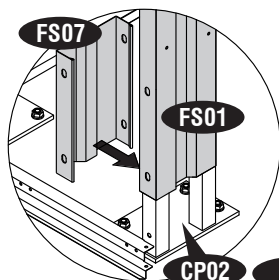


Fig.3

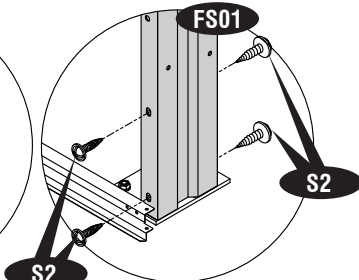
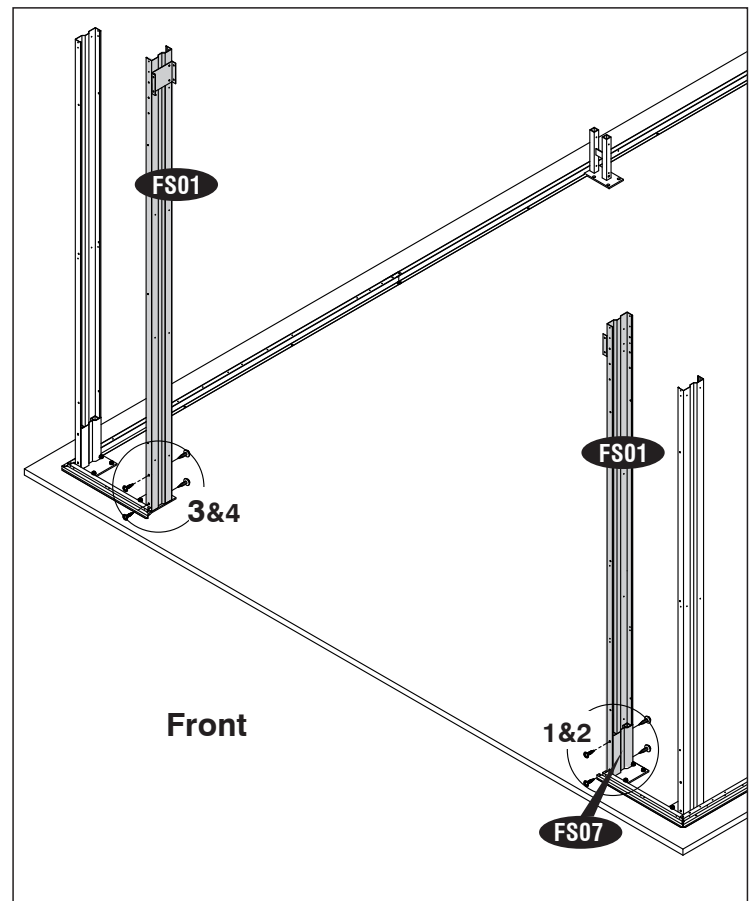
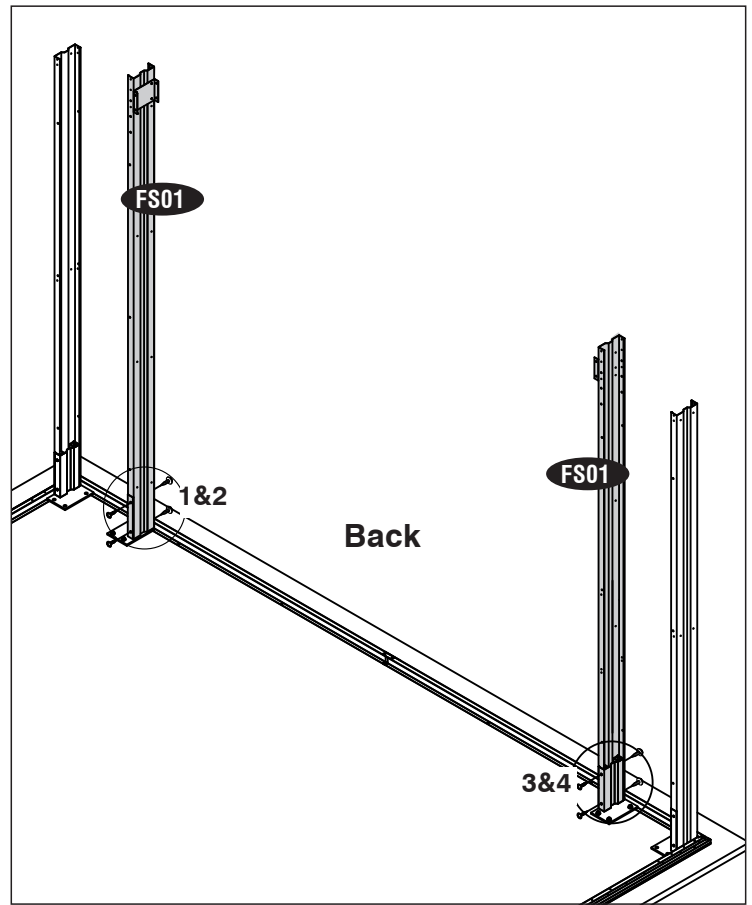
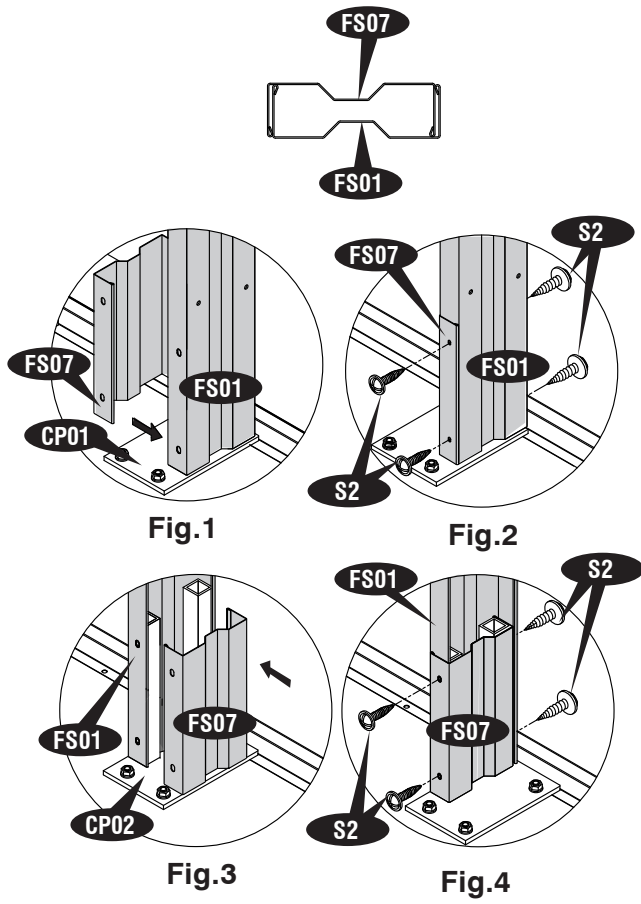


Fig.4

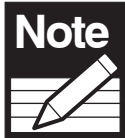


IMPORTANT: USE HAND GLOVES TO PREVENT INJURY.

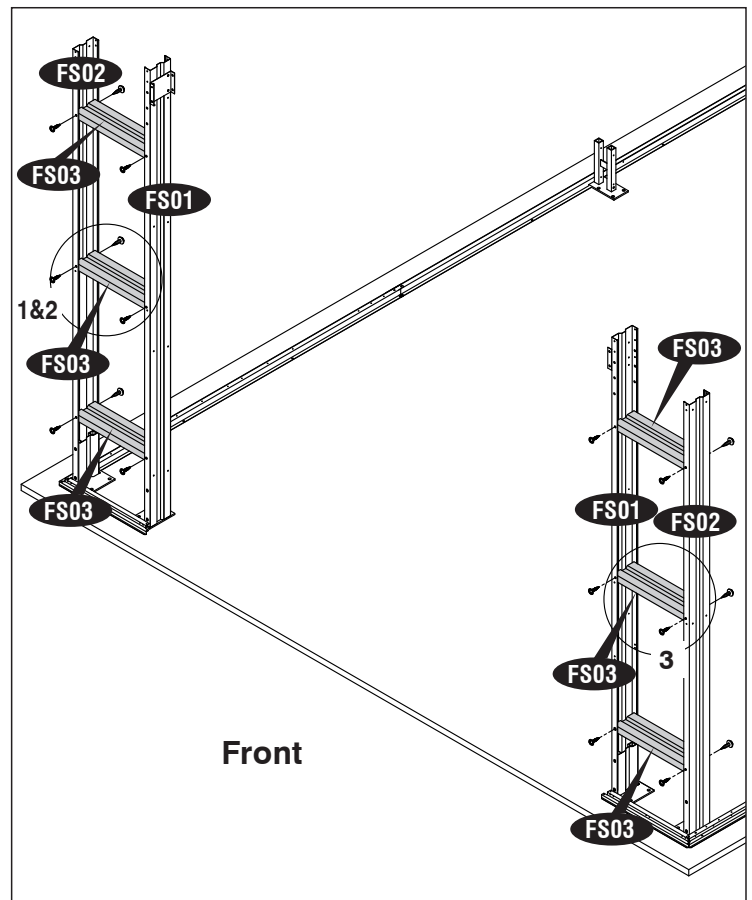
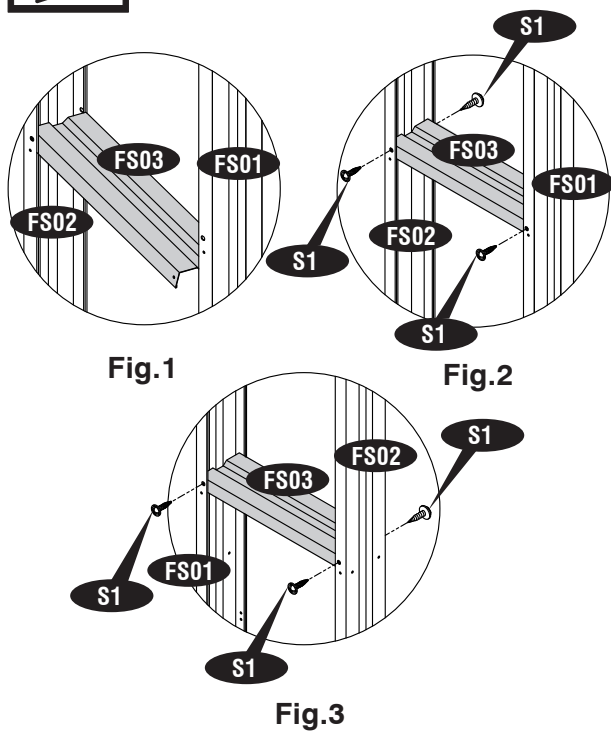
Step - 5



Step - 6



Note Use only 3 Screws as shown in Blow up.



Step - 7

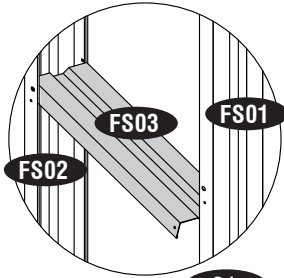


Fig.1

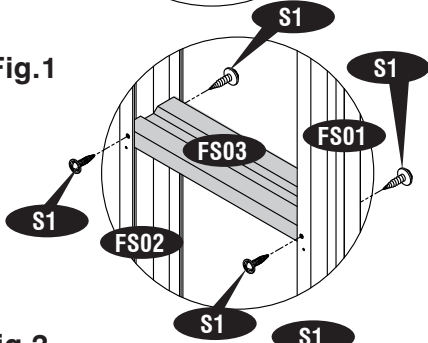


Fig.2

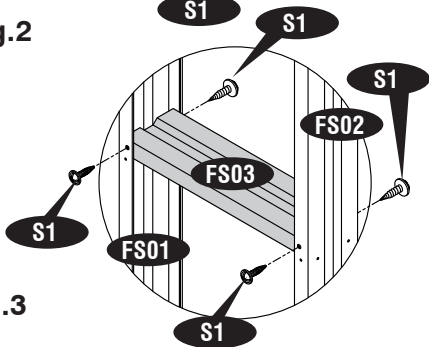
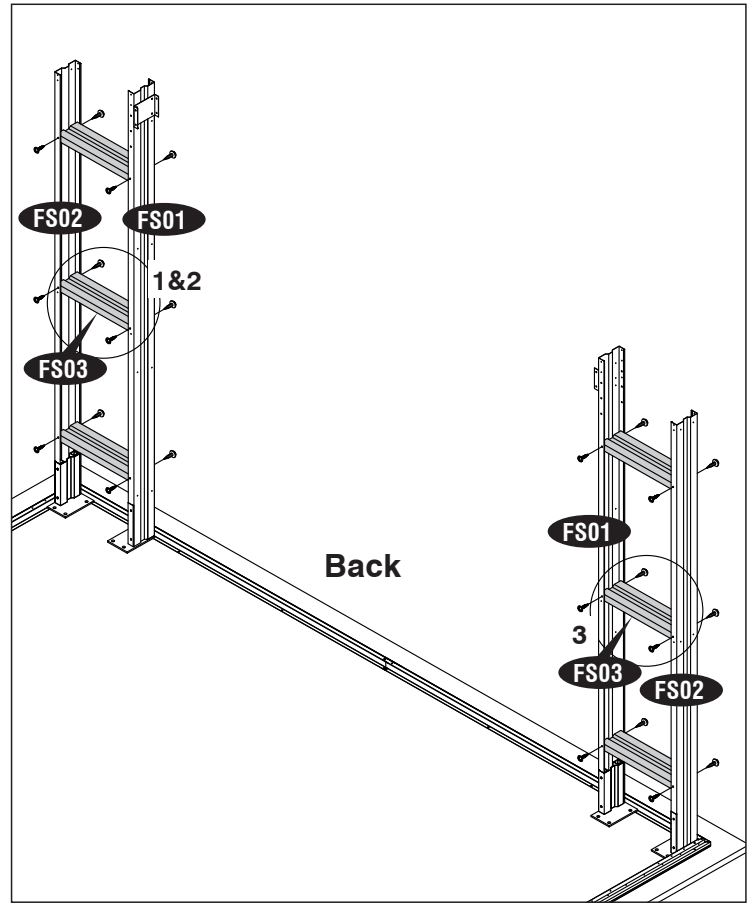


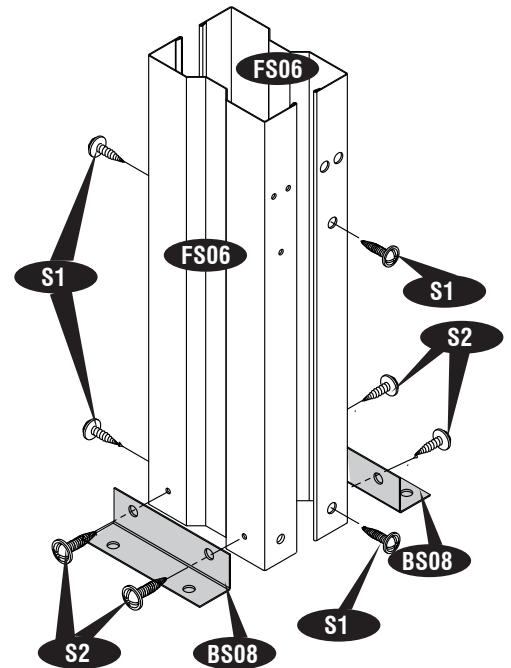
Fig.3



Step - 8

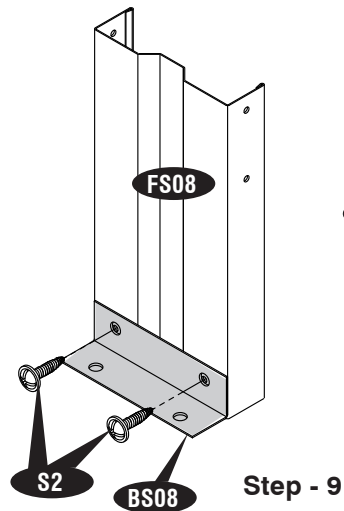
Make 2 Sets

Step - 8



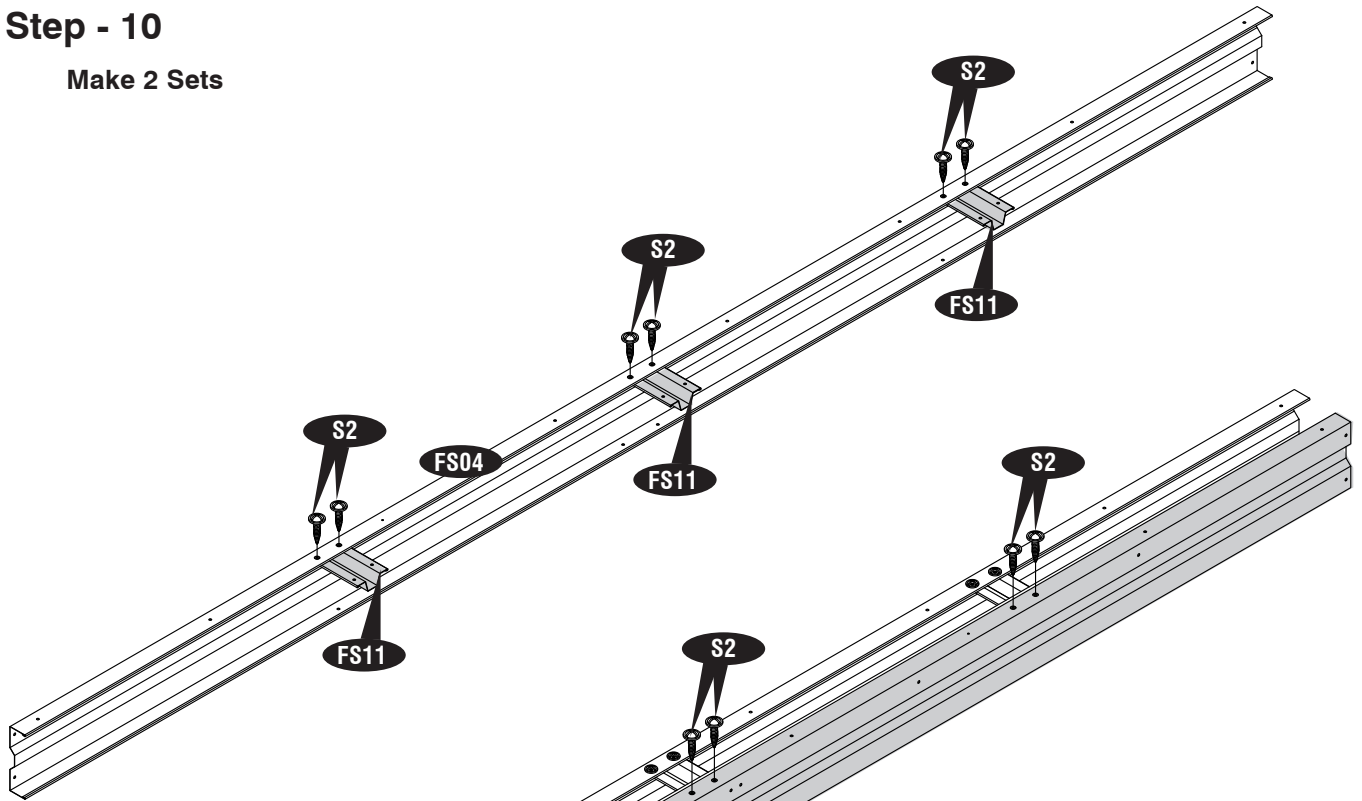
Step -9

Make 4 Sets



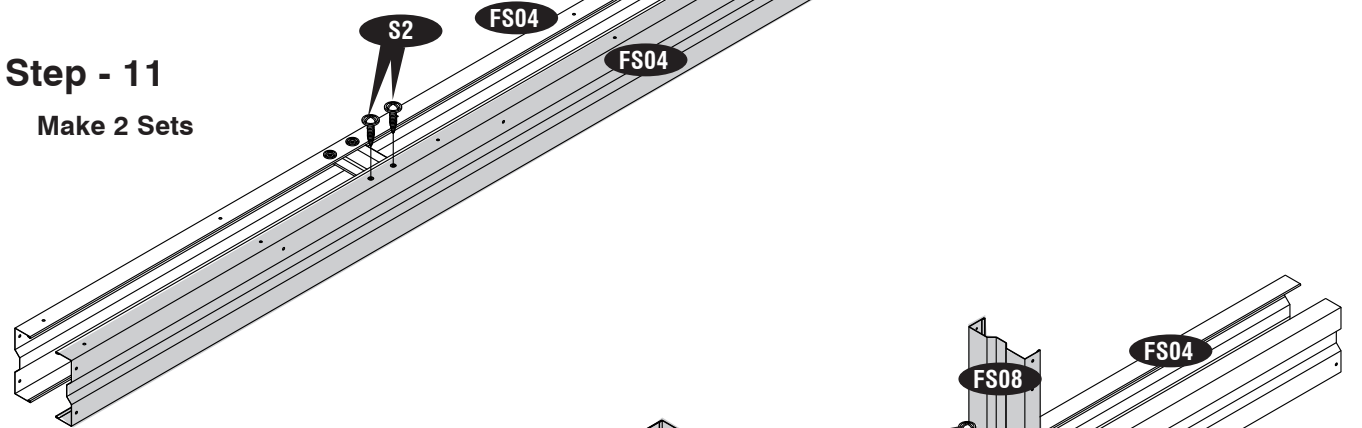
Step - 10

Make 2 Sets



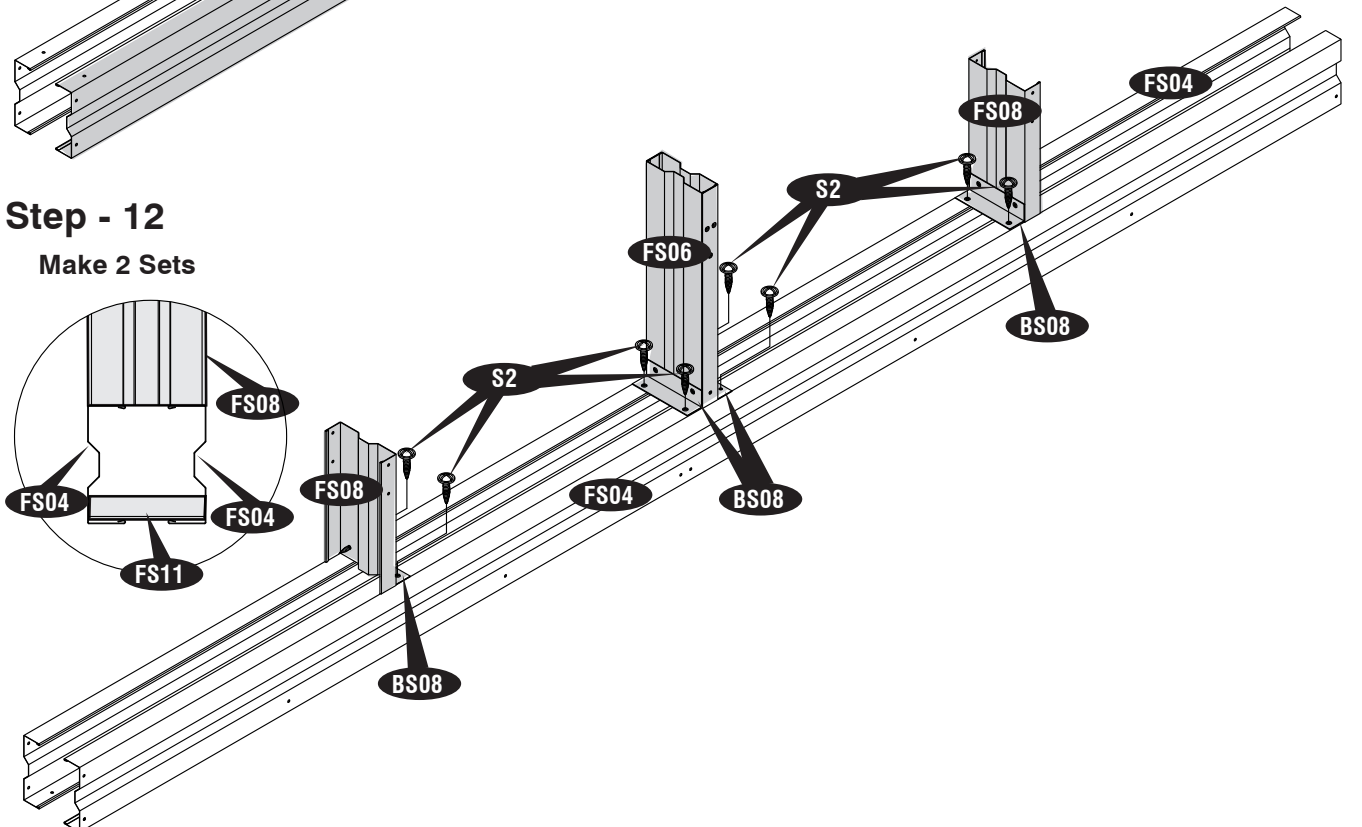
Step - 11

Make 2 Sets



Step - 12

Make 2 Sets



Step - 13

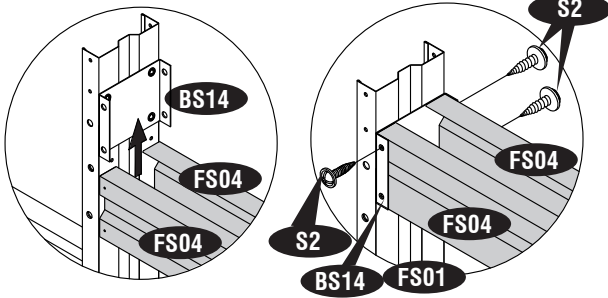


Fig.1

Fig.2

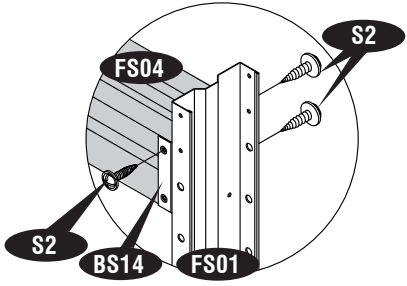
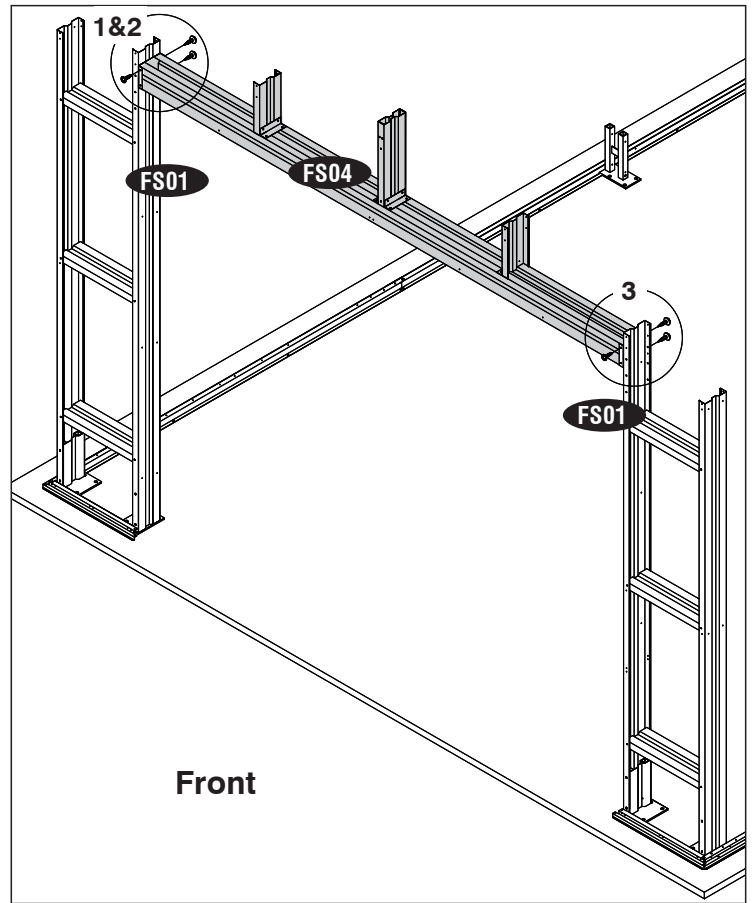


Fig.3



Front

Step - 14

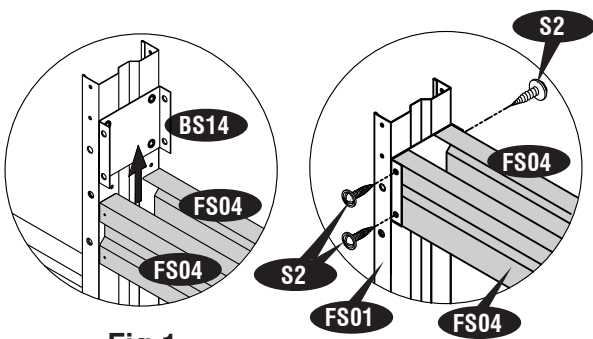


Fig.1

Fig.2

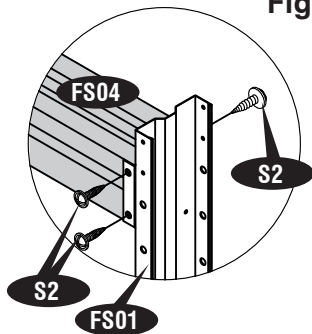
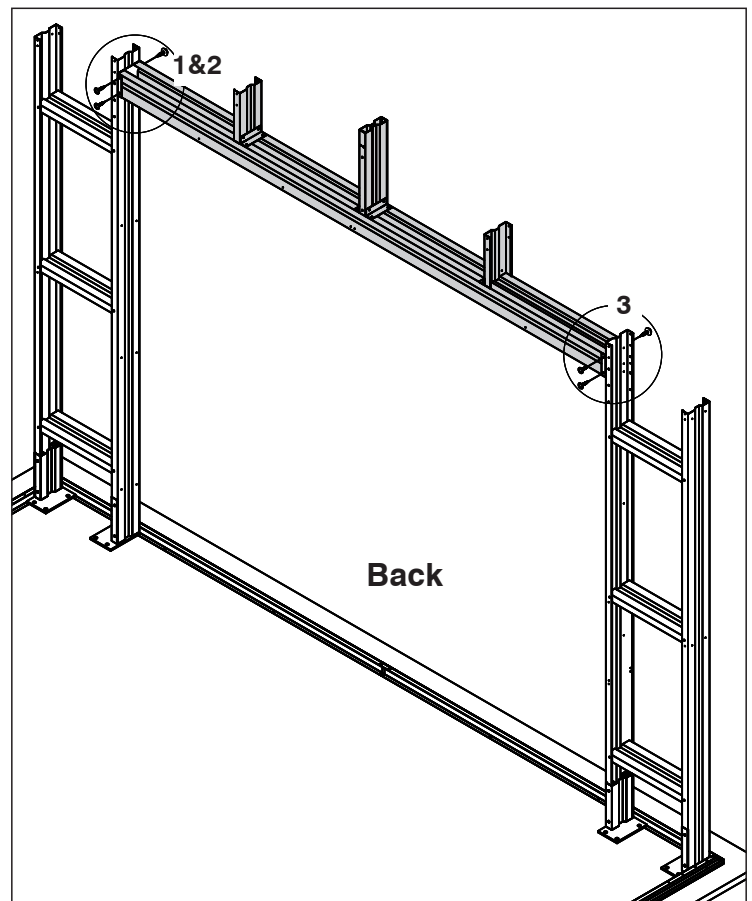


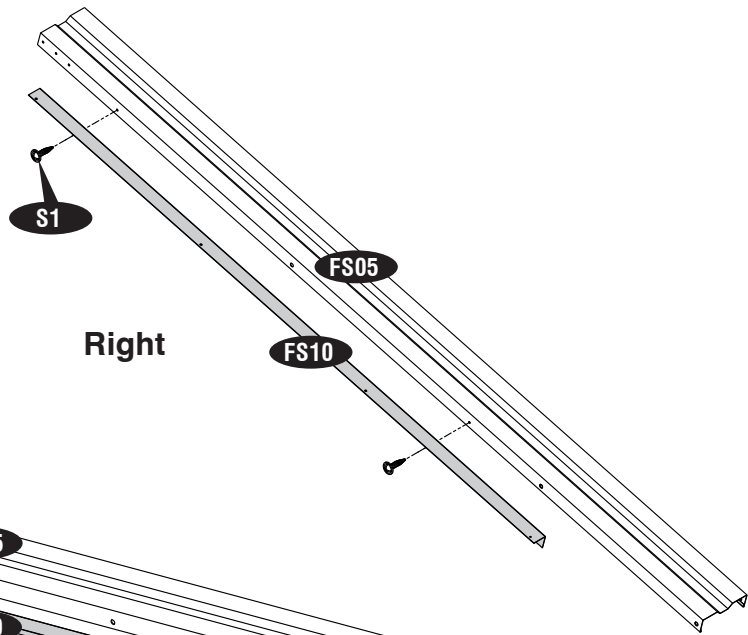
Fig.3



Back

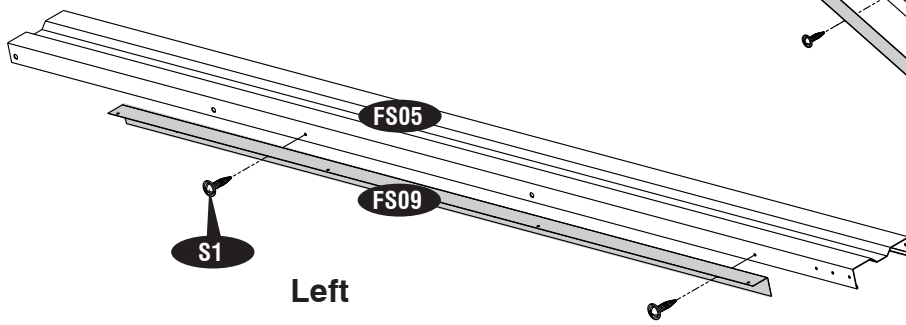
Step - 15

Make 2 Sets

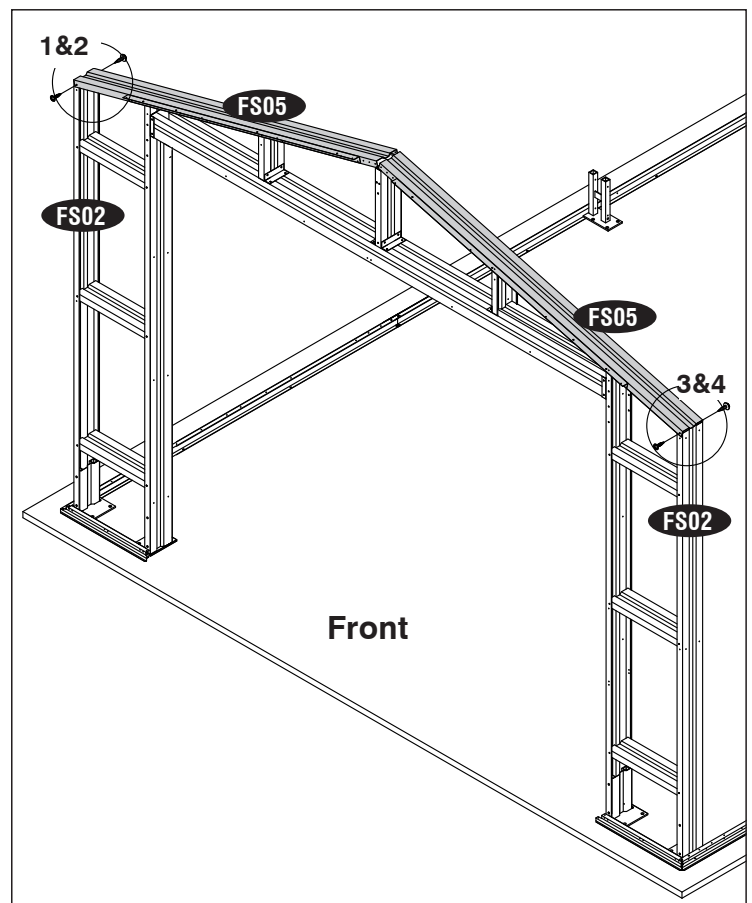
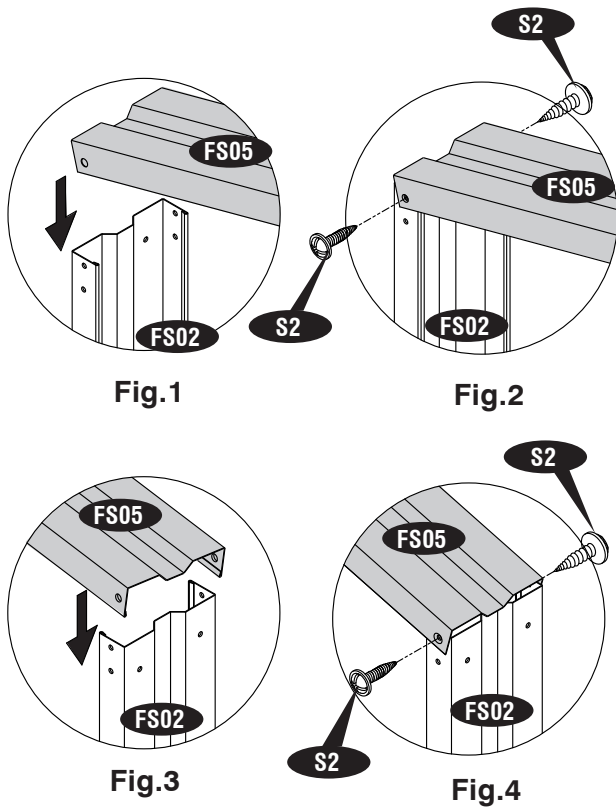


Step - 16

Make 2 Sets

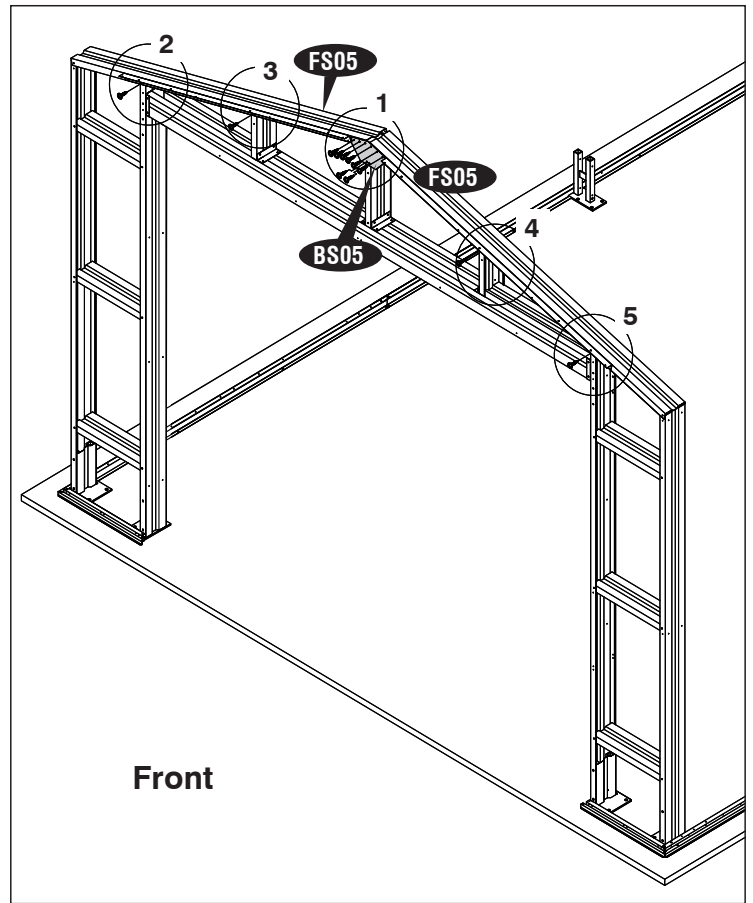
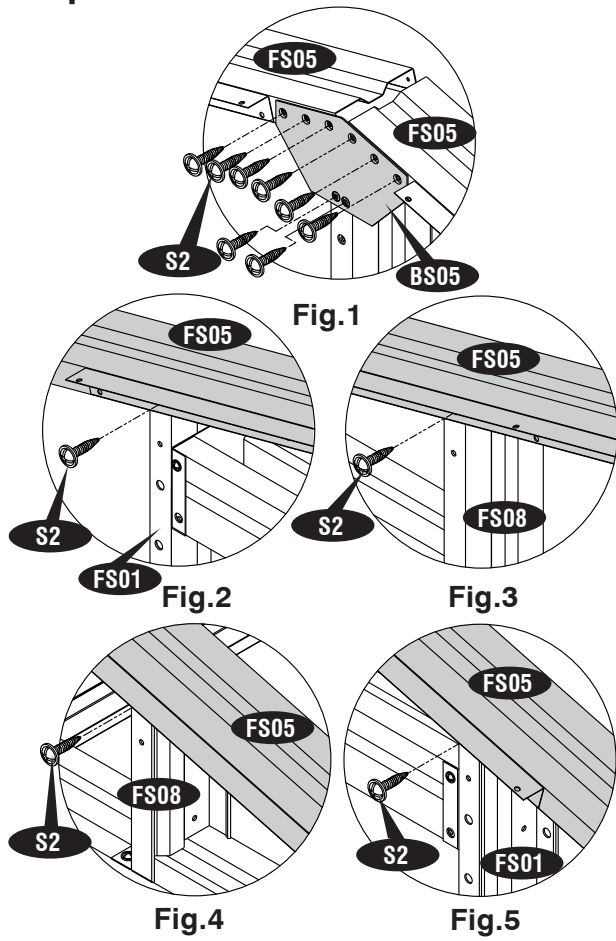


Step - 17

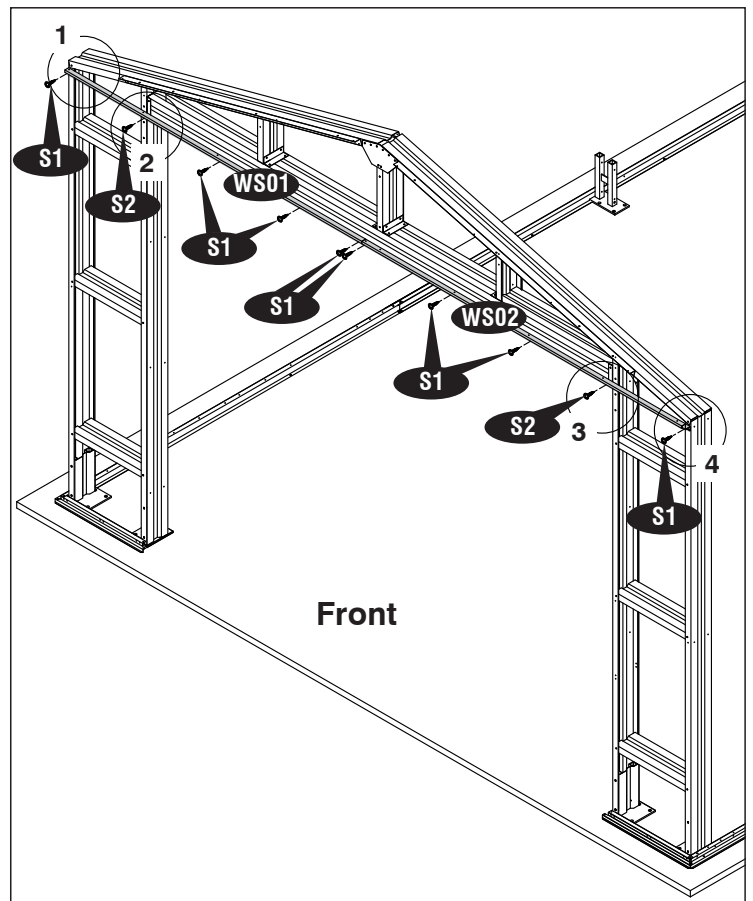
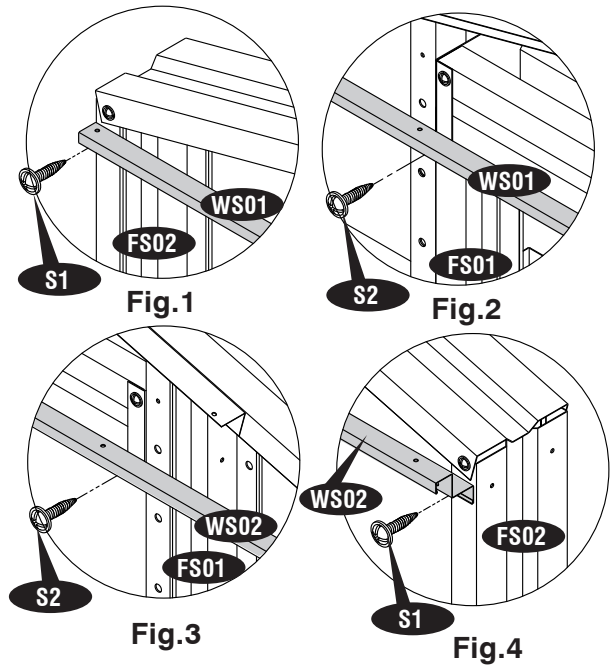


IMPORTANT: USE HAND GLOVES TO PREVENT INJURY.

Step - 18



Step - 19



Step - 20

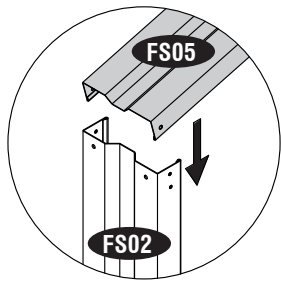


Fig.1

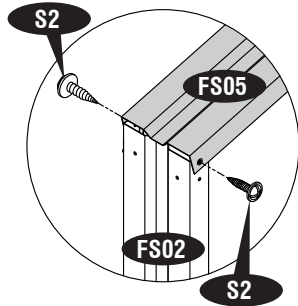


Fig.2

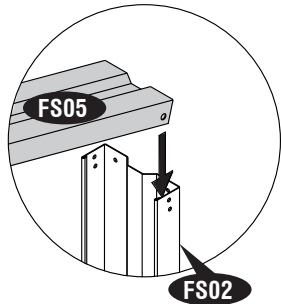


Fig.3

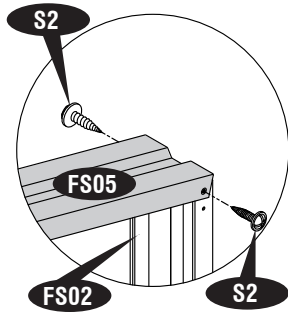
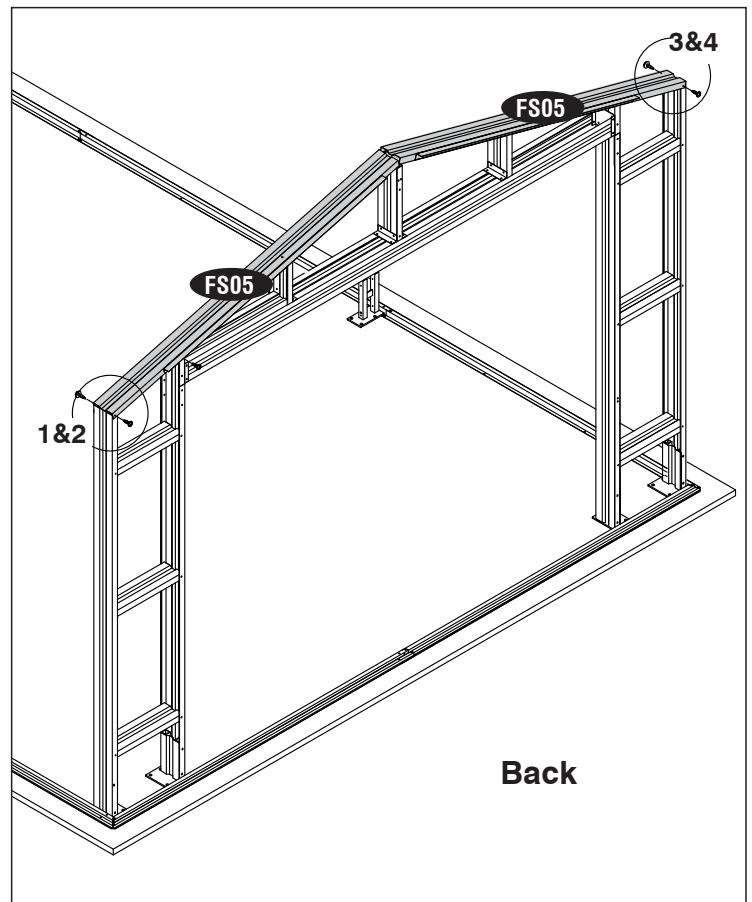


Fig.4



Back

Step - 21

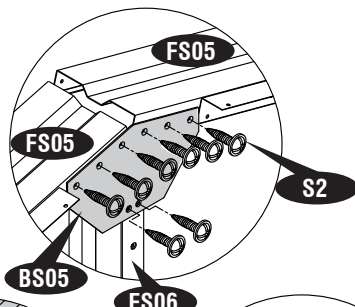


Fig.1

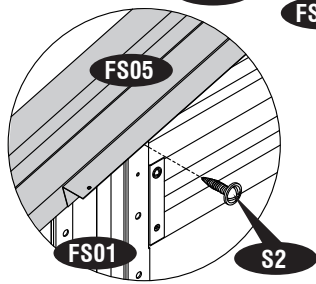


Fig.2

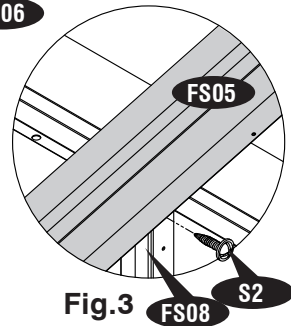


Fig.3

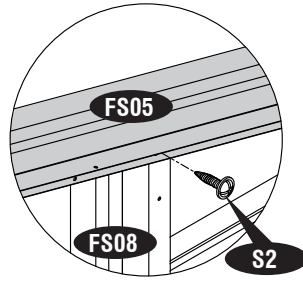


Fig.4

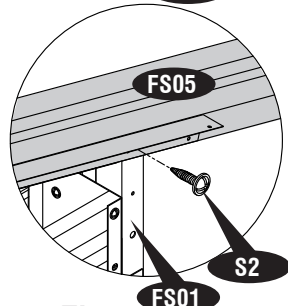
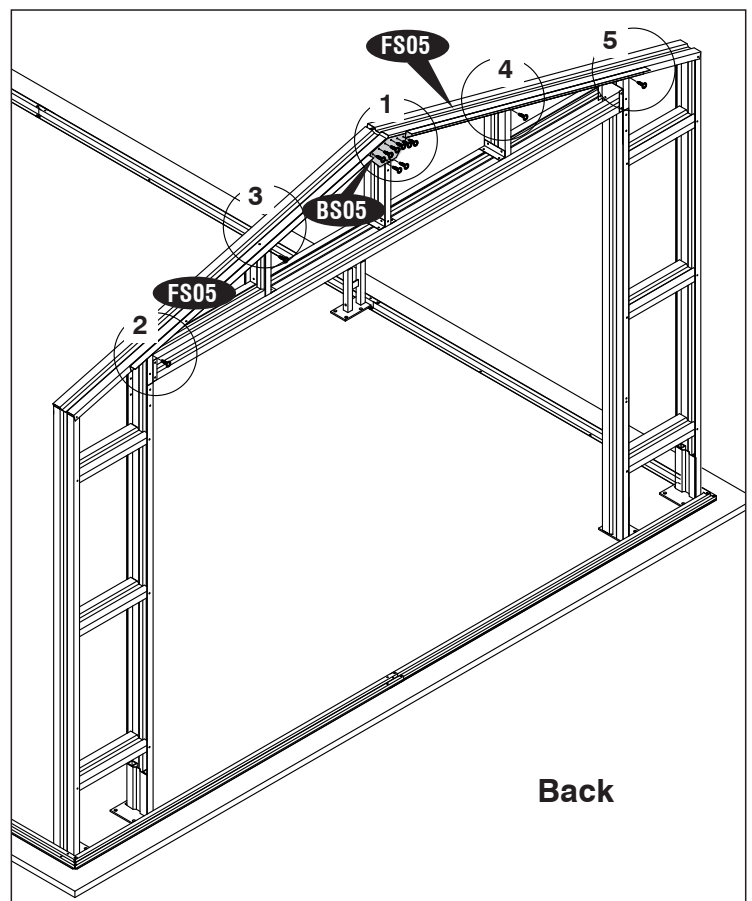


Fig.5



Back

Step - 22

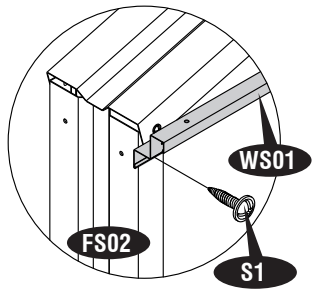


Fig.1



Fig.2

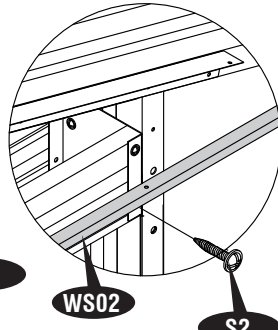
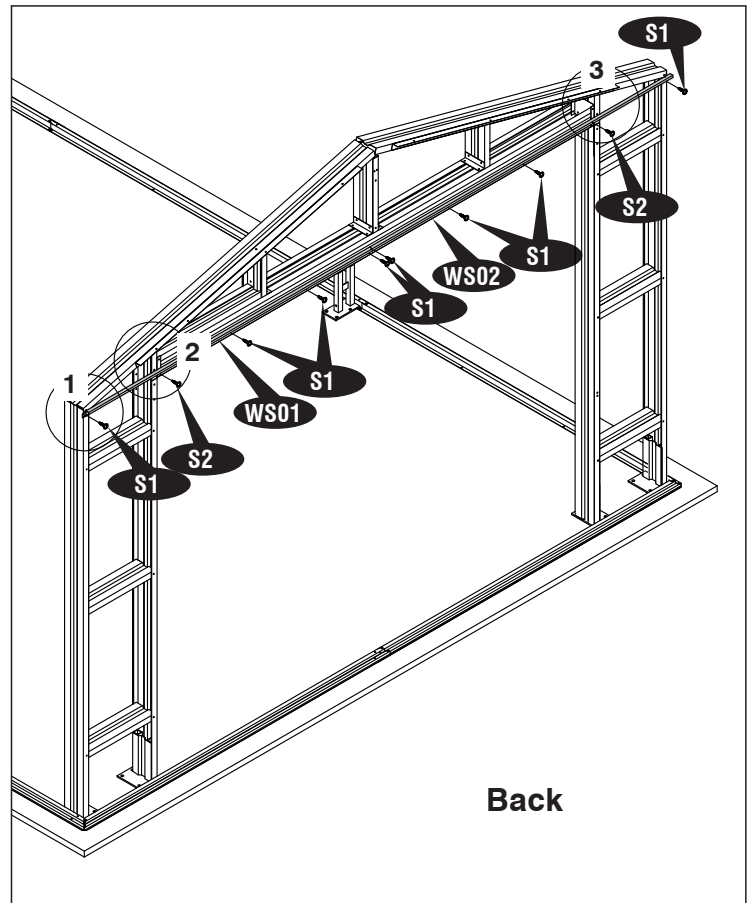


Fig.3



Back

Step - 23

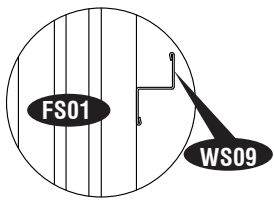


Fig.1

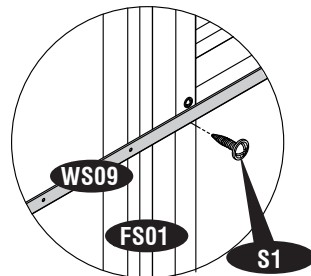
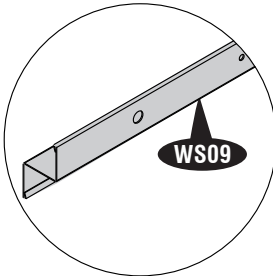
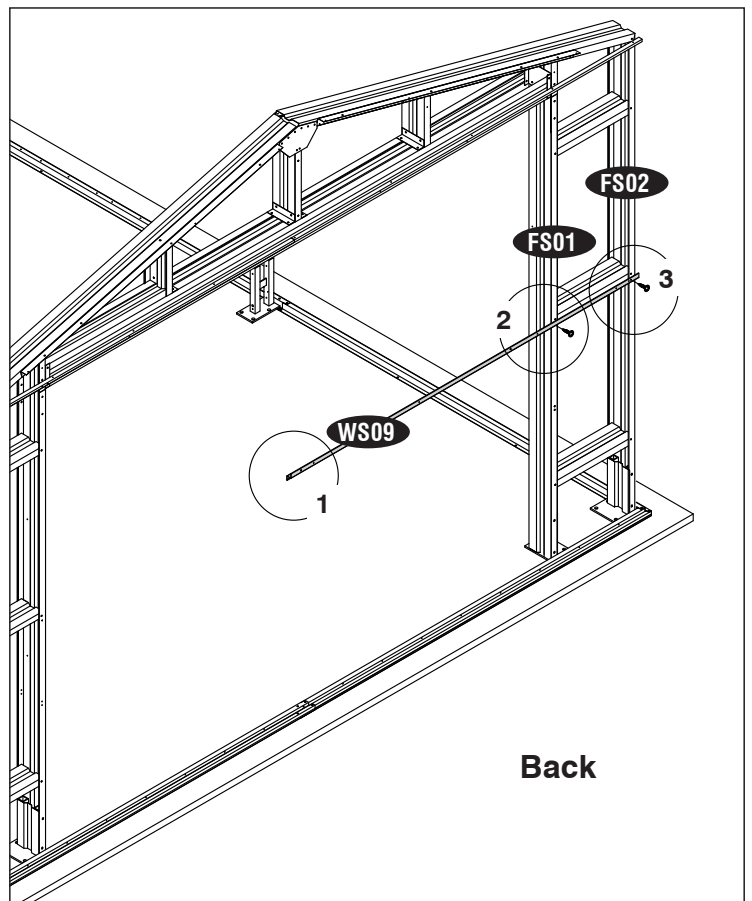


Fig. 2



Fig.3



Back

Step - 24

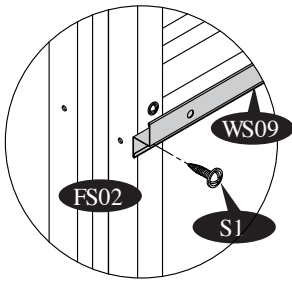


Fig. 1



Fig. 2

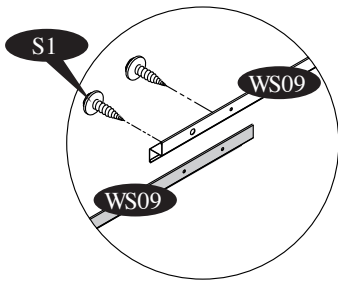
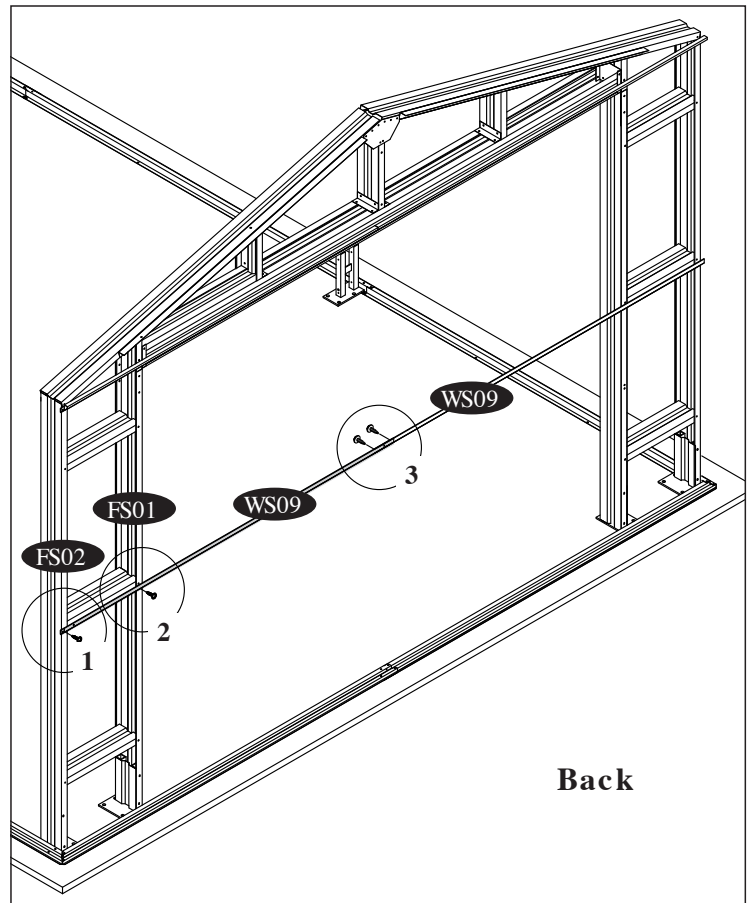


Fig. 3



Back

Step - 25

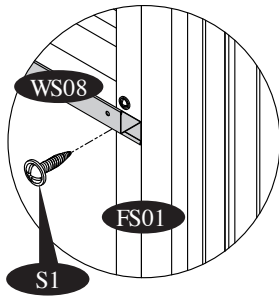


Fig. 1

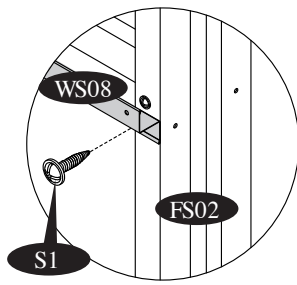


Fig. 2

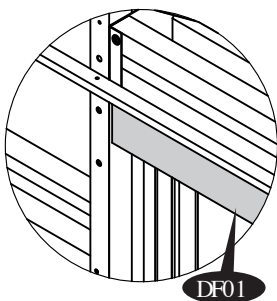


Fig. 3

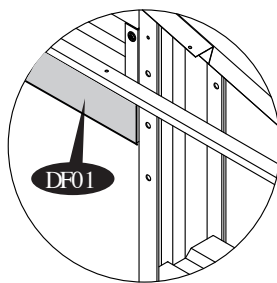
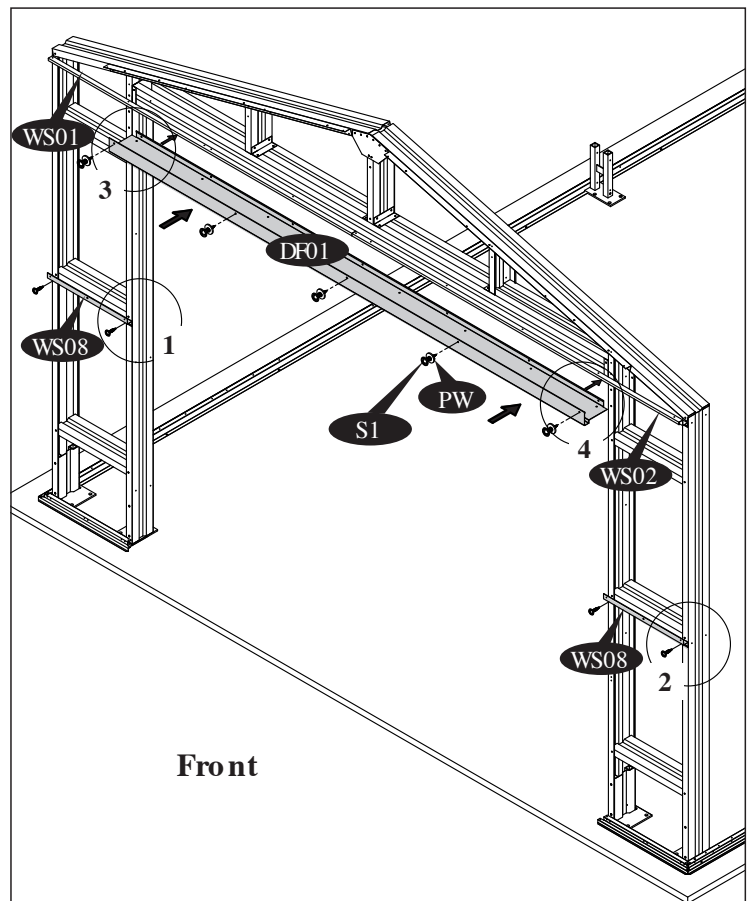
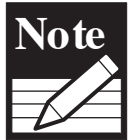


Fig. 4



Front

Step - 26



It is important that Use S1 Screws first.

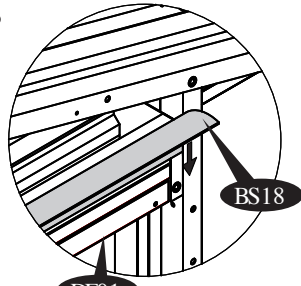
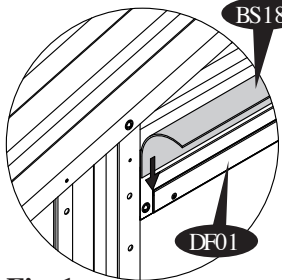
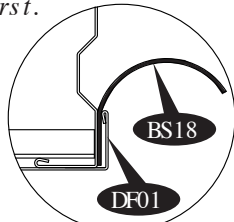


Fig.1

Fig.2

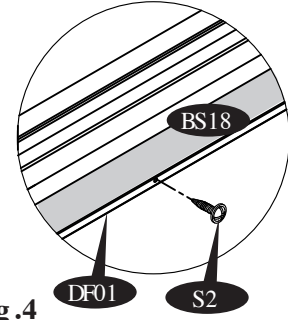
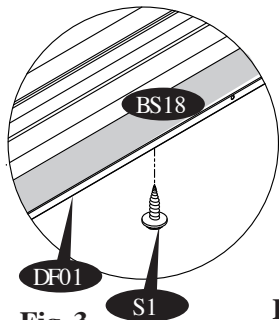
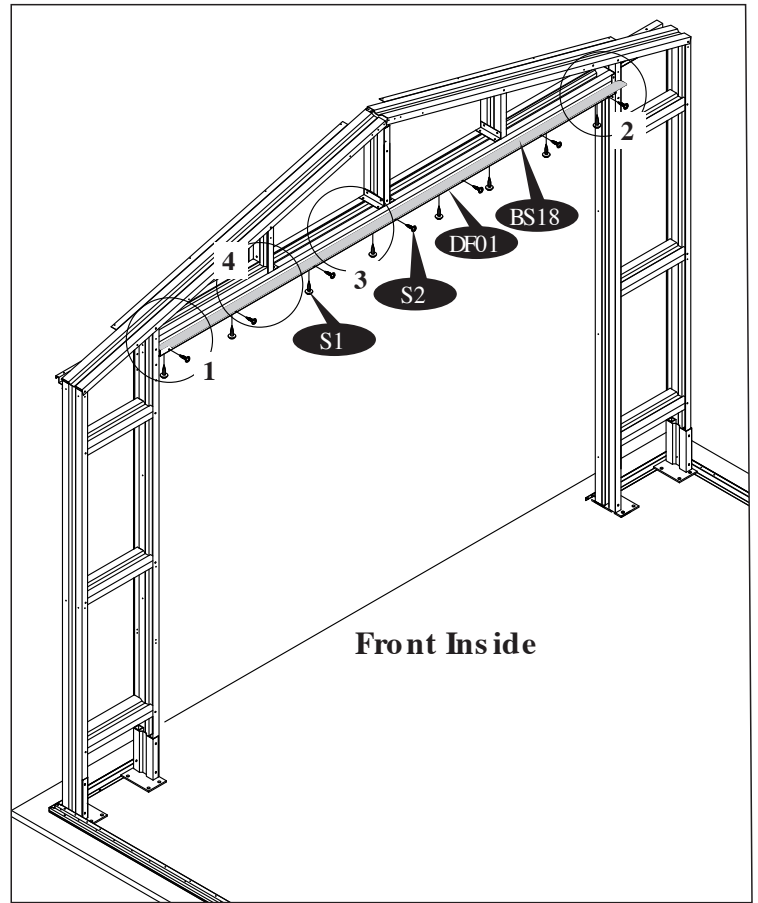


Fig.3

Fig.4



Front Inside

Step - 27

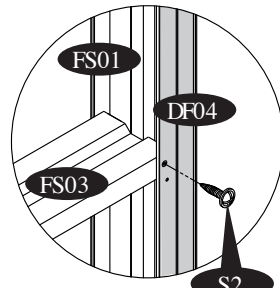
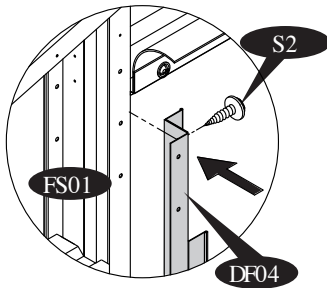


Fig.1

Fig.2

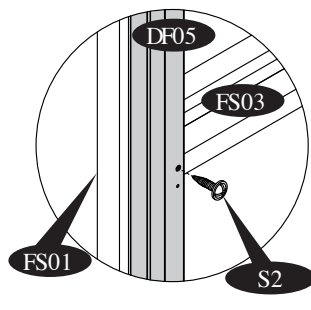
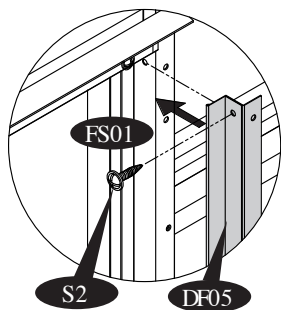
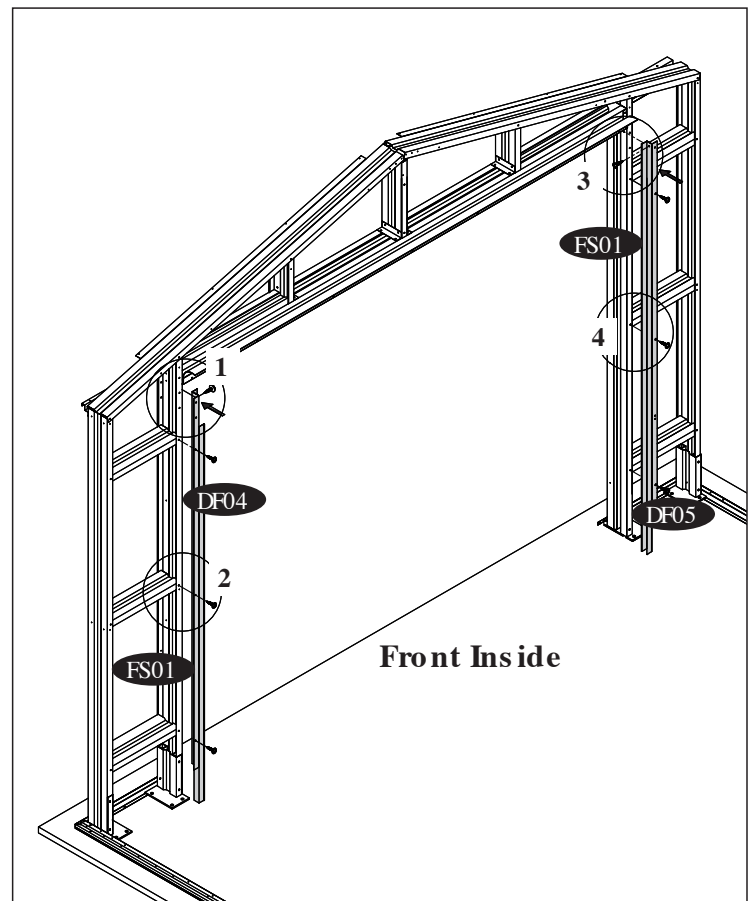


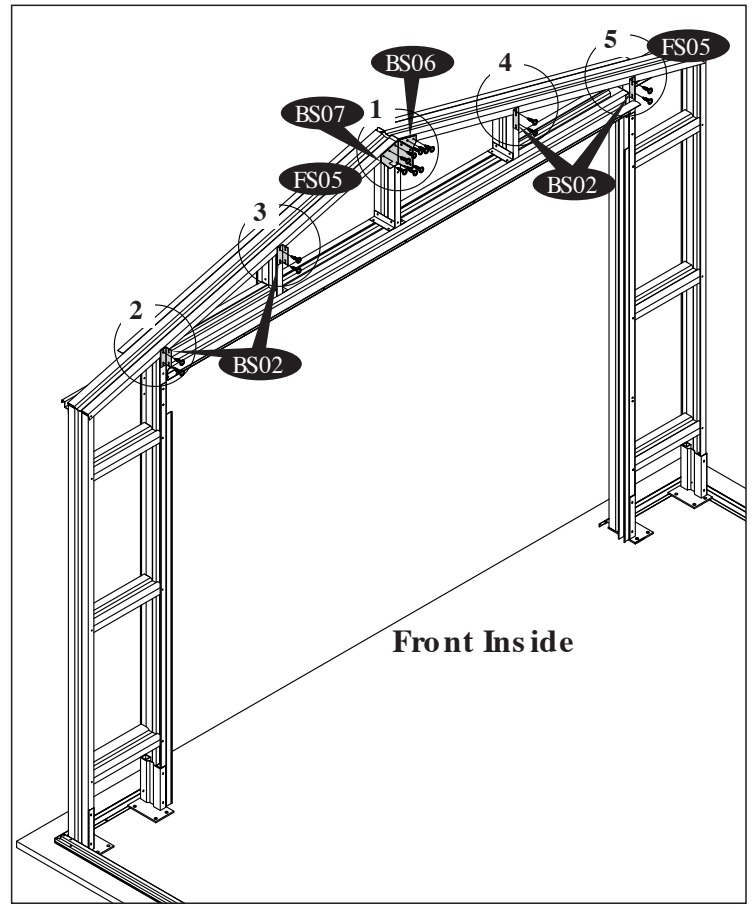
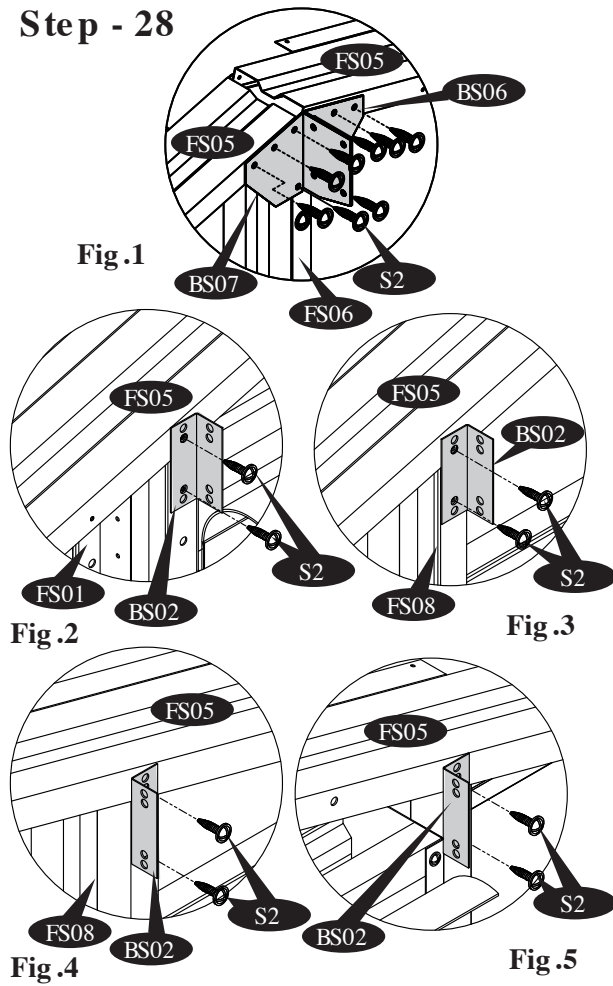
Fig.3

Fig.4

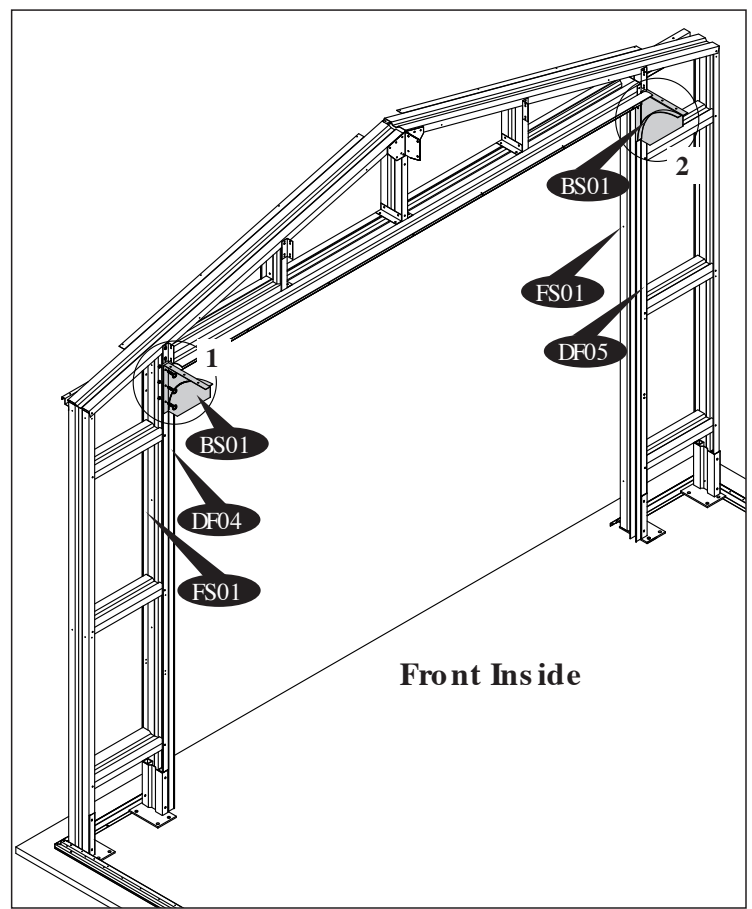
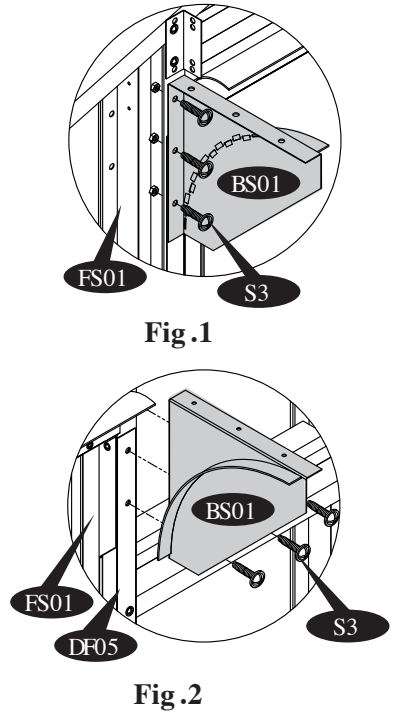


Front Inside

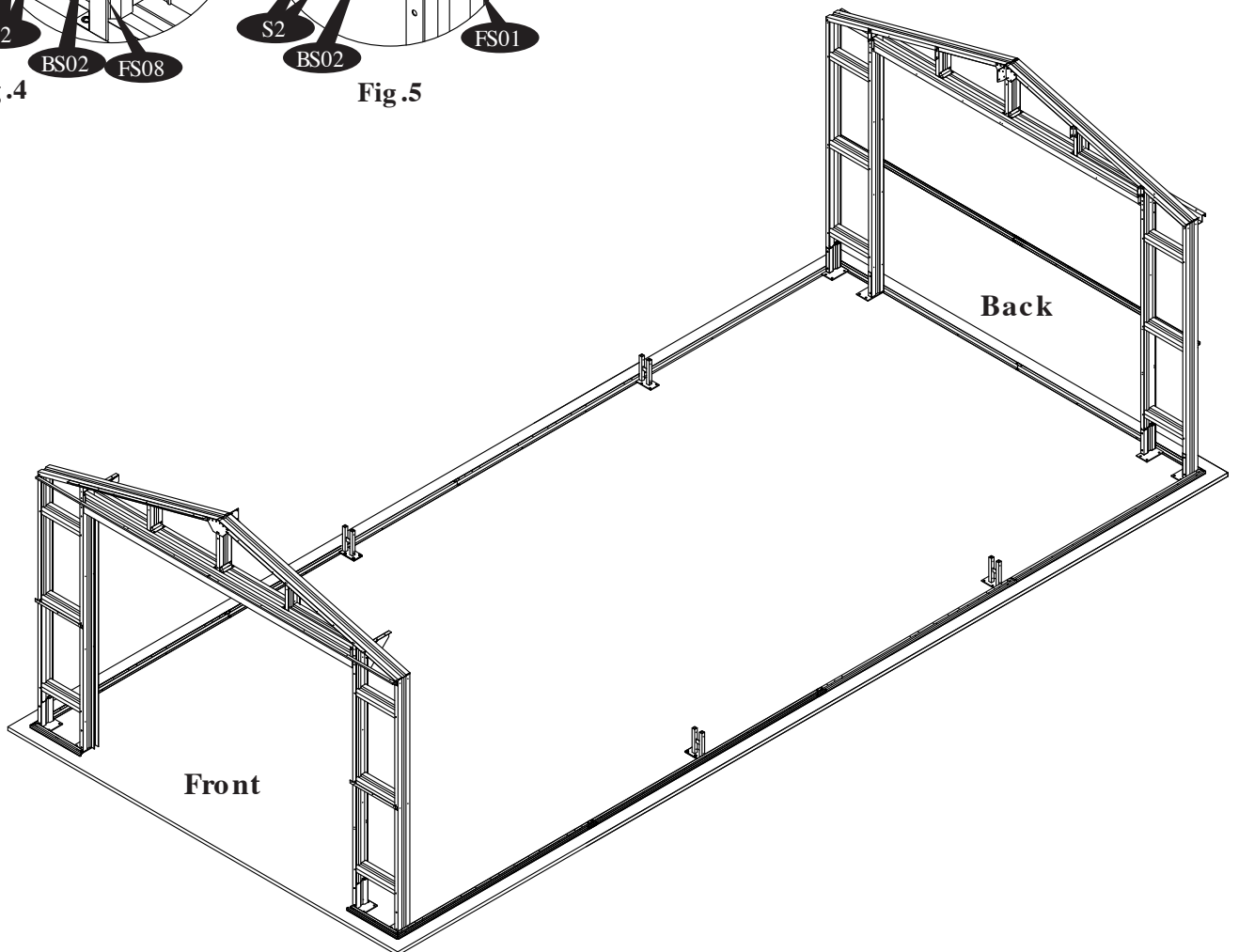
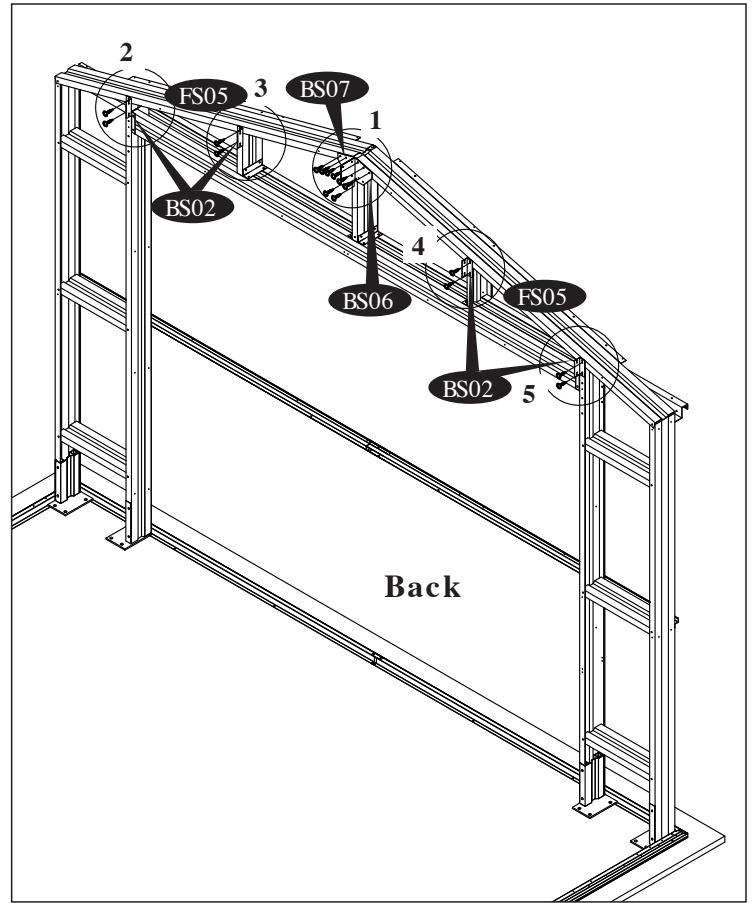
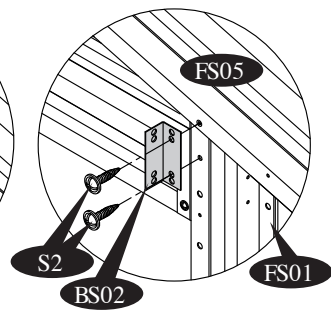
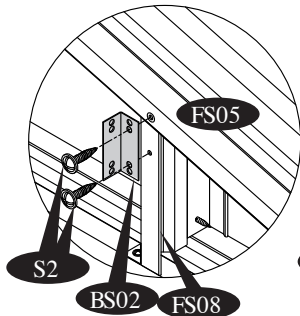
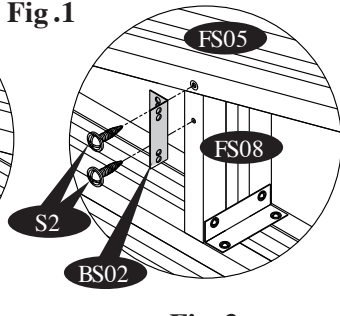
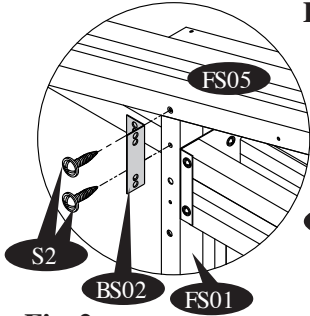
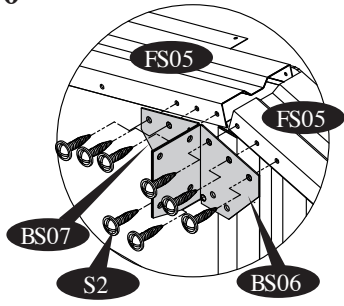
Step - 28



Step - 29



Step - 30



IMPORTANT: USE HAND GLOVES TO PREVENT INJURY.

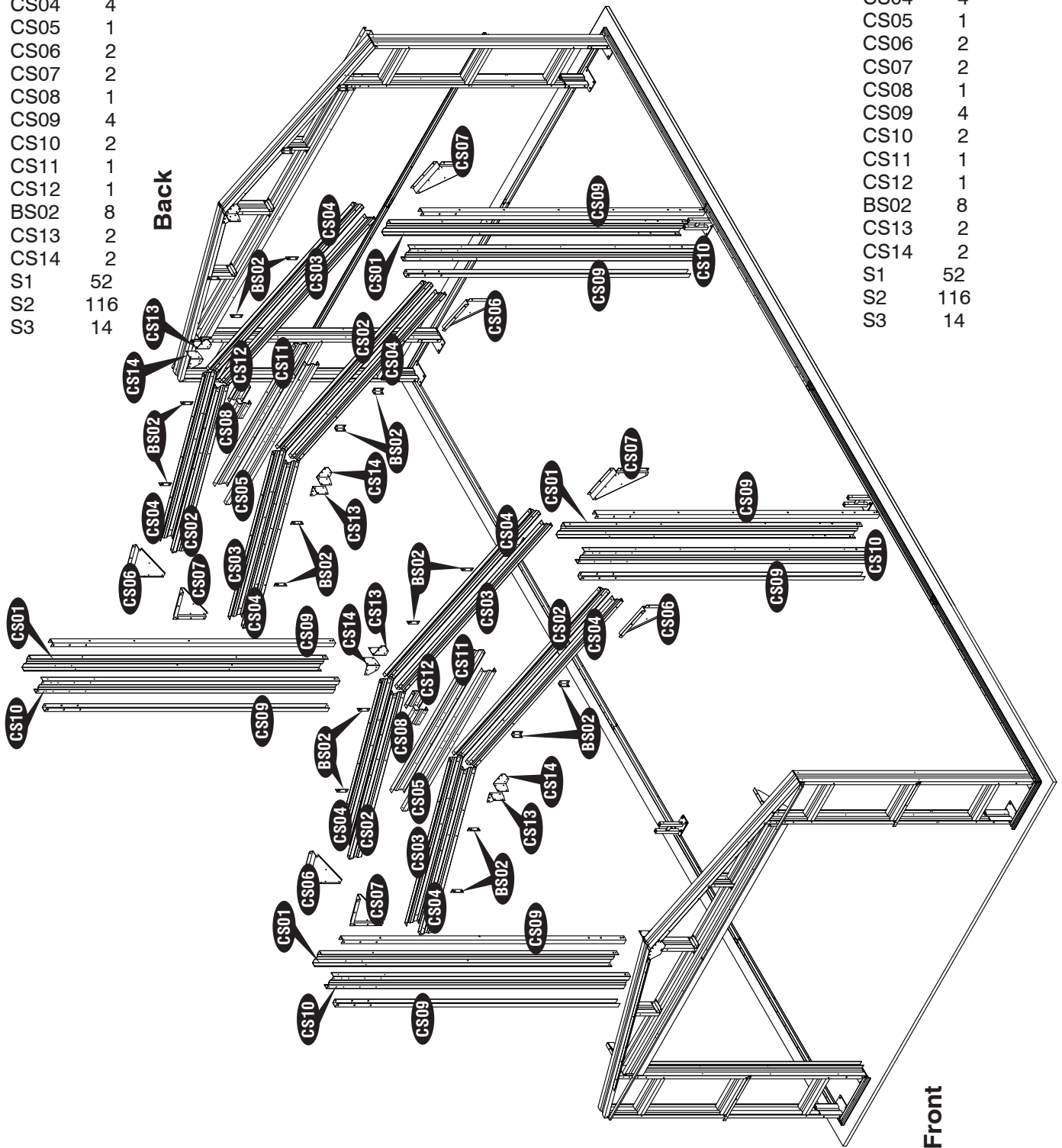
C. Center Structure Assembly

Parts Needed:

| Code | Qty |
|------|-----|
| CS01 | 2 |
| CS02 | 2 |
| CS03 | 2 |
| CS04 | 4 |
| CS05 | 1 |
| CS06 | 2 |
| CS07 | 2 |
| CS08 | 1 |
| CS09 | 4 |
| CS10 | 2 |
| CS11 | 1 |
| CS12 | 1 |
| BS02 | 8 |
| CS13 | 2 |
| CS14 | 2 |
| S1 | 52 |
| S2 | 116 |
| S3 | 14 |

Parts Needed for each extension:

| Code | Qty |
|------|-----|
| CS01 | 2 |
| CS02 | 2 |
| CS03 | 2 |
| CS04 | 4 |
| CS05 | 1 |
| CS06 | 2 |
| CS07 | 2 |
| CS08 | 1 |
| CS09 | 4 |
| CS10 | 2 |
| CS11 | 1 |
| CS12 | 1 |
| BS02 | 8 |
| CS13 | 2 |
| CS14 | 2 |
| S1 | 52 |
| S2 | 116 |
| S3 | 14 |



IMPORTANT: USE HAND GLOVES TO PREVENT INJURY.

Step - 1

Make 2 Sets

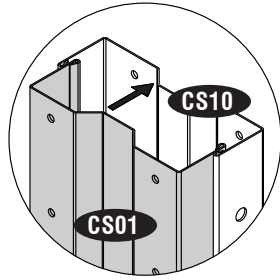


Fig.1

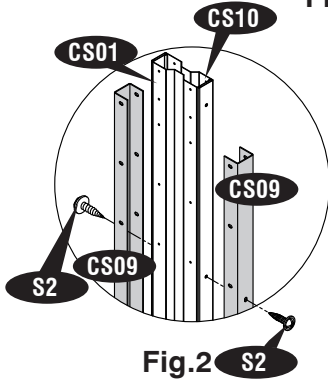


Fig.2

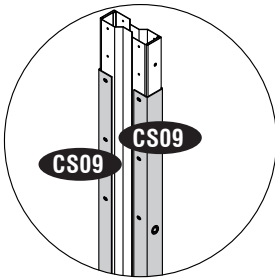
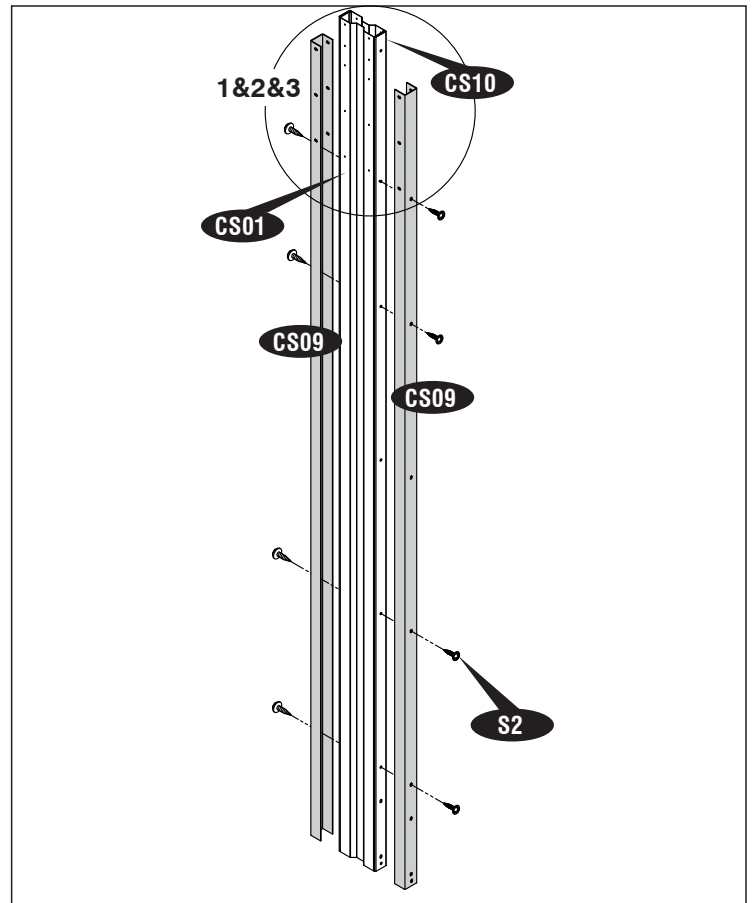
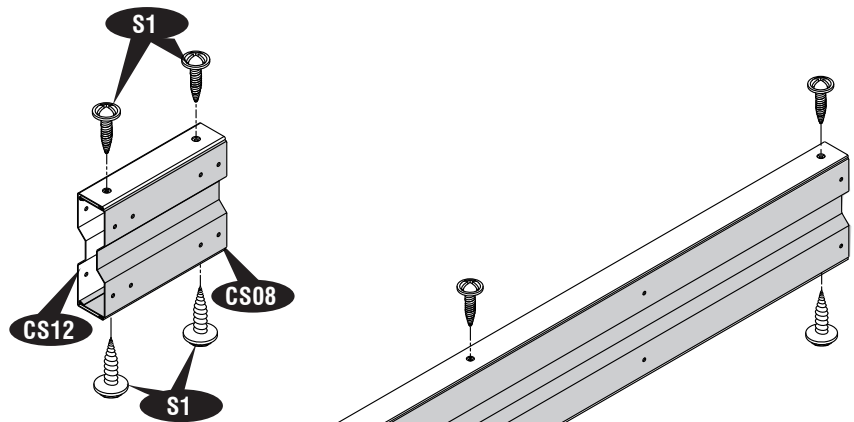
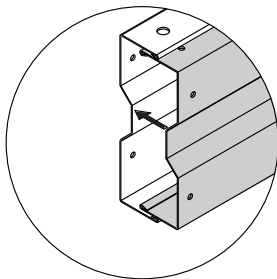


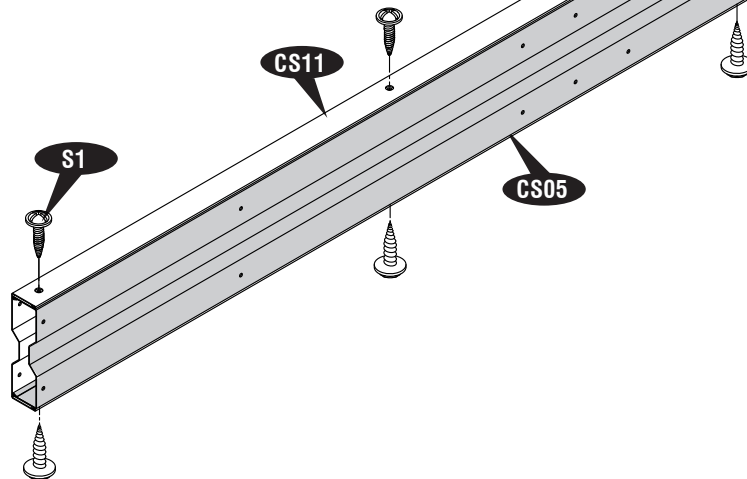
Fig.3



Step - 2

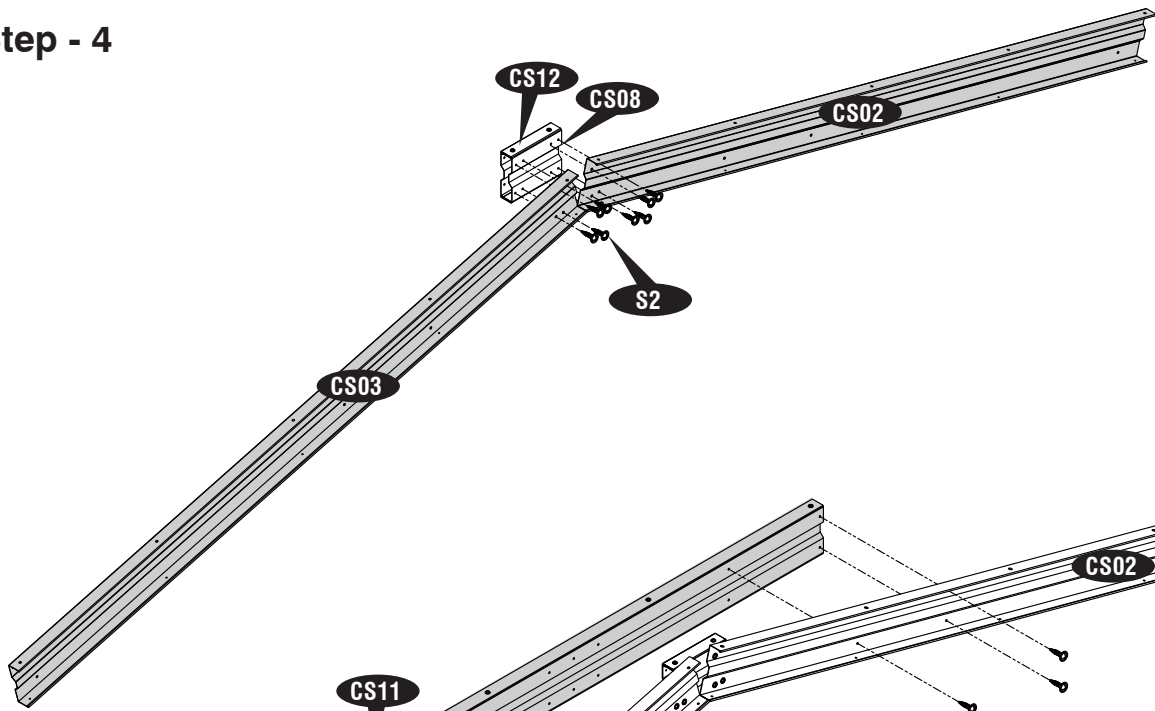


Step - 3

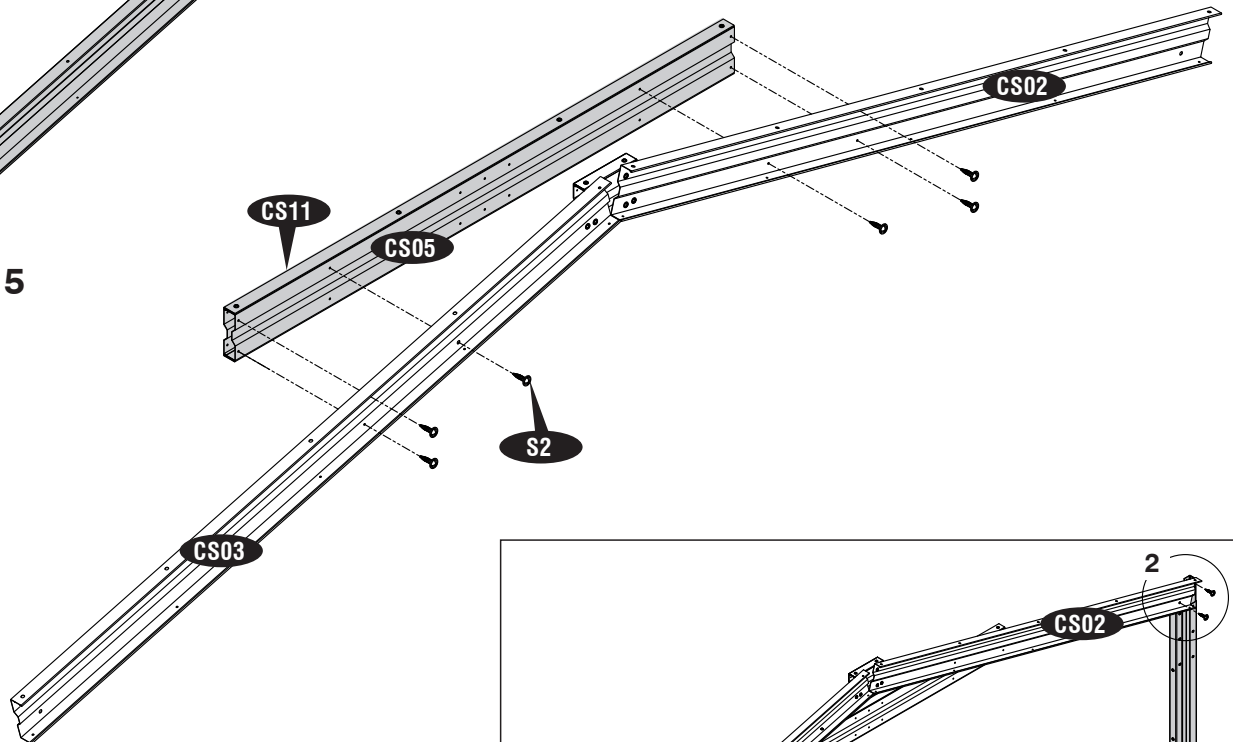


IMPORTANT: USE HAND GLOVES TO PREVENT INJURY.

Step - 4



Step - 5



Step - 6

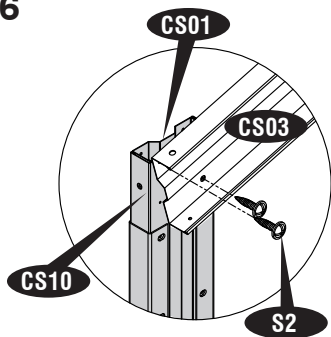


Fig.1

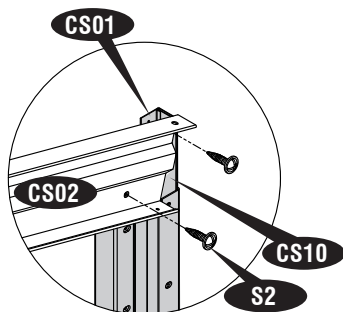
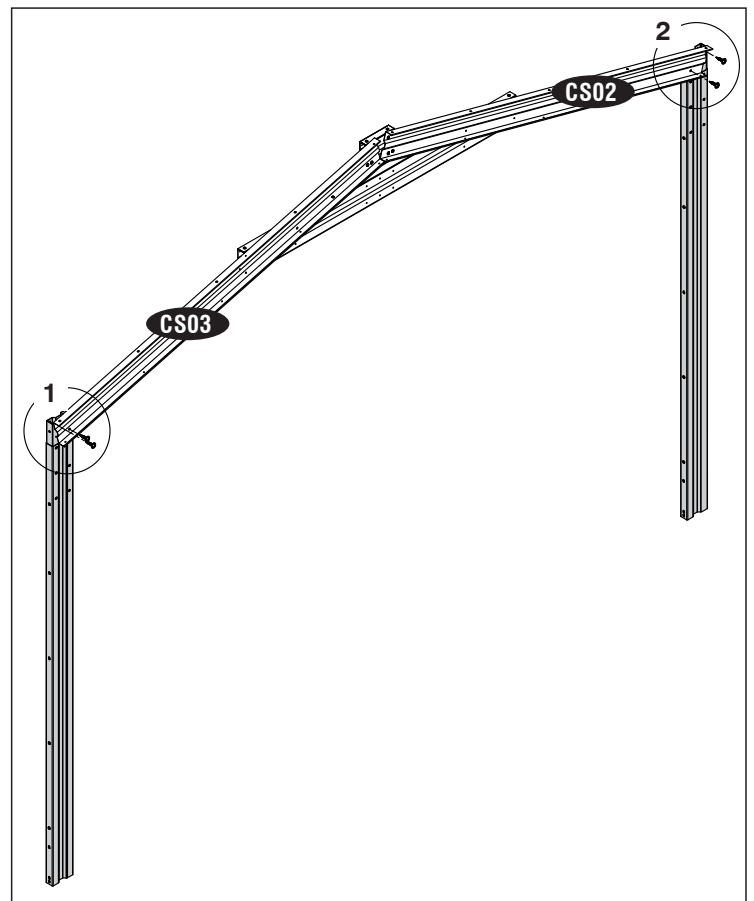


Fig.2



IMPORTANT: USE HAND GLOVES TO PREVENT INJURY.

Step -7

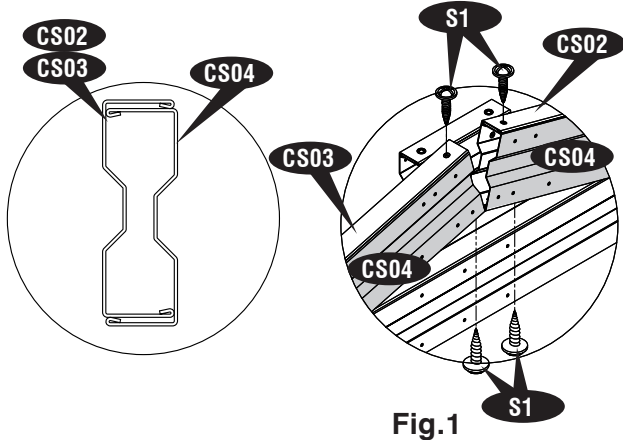


Fig.1

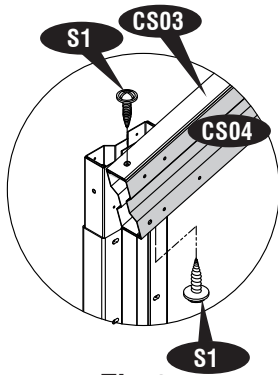


Fig.2

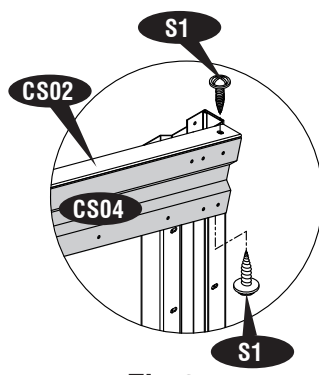
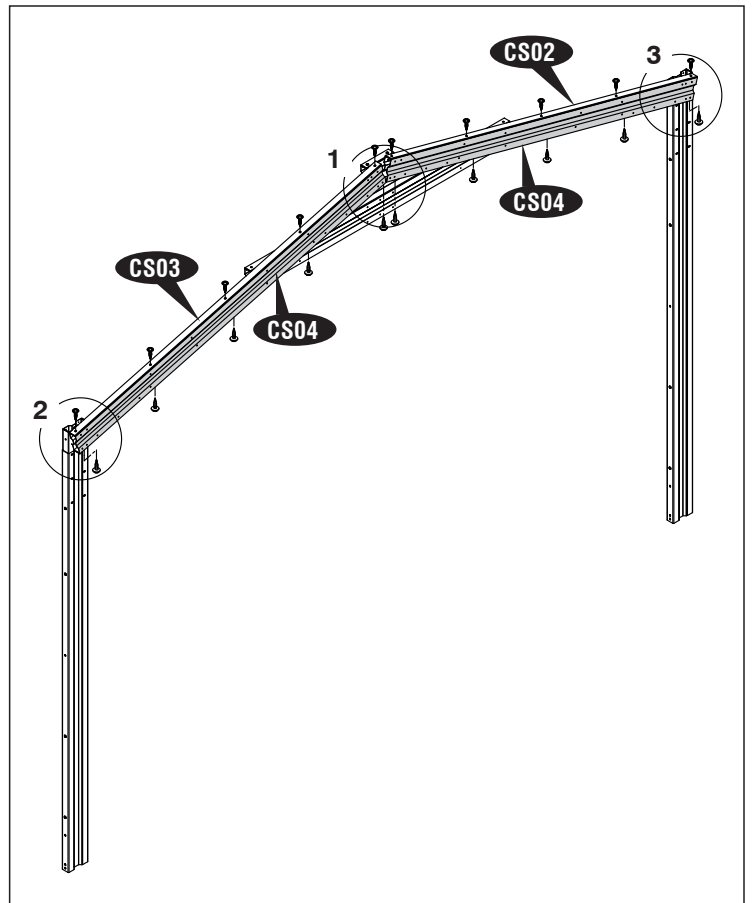


Fig.3



Step -8

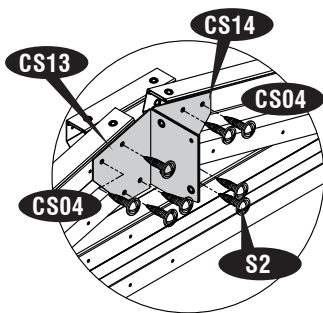
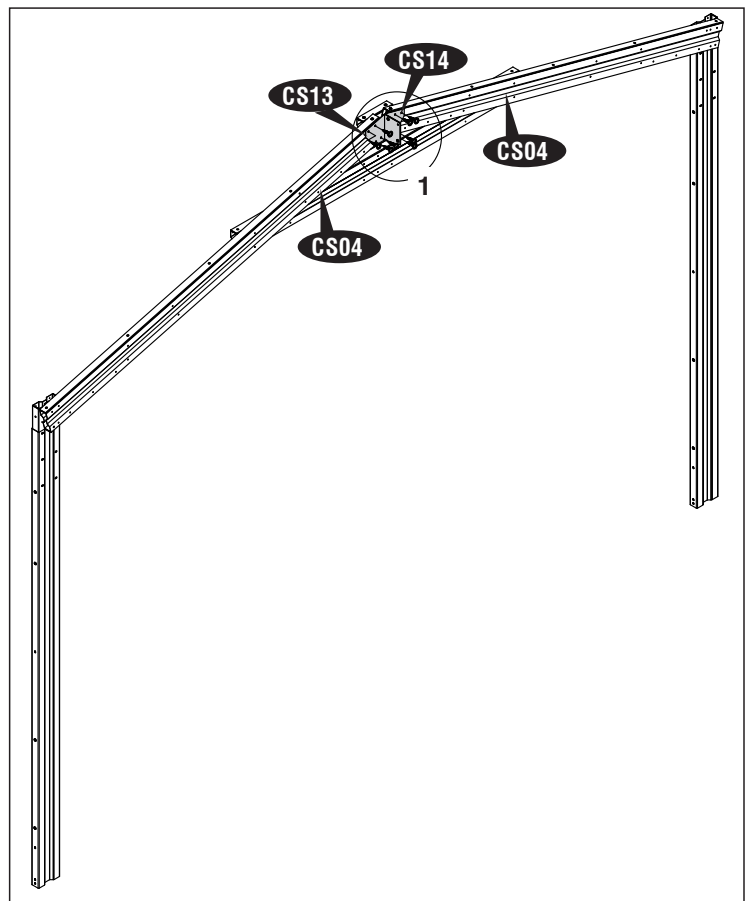


Fig.1



Step -9

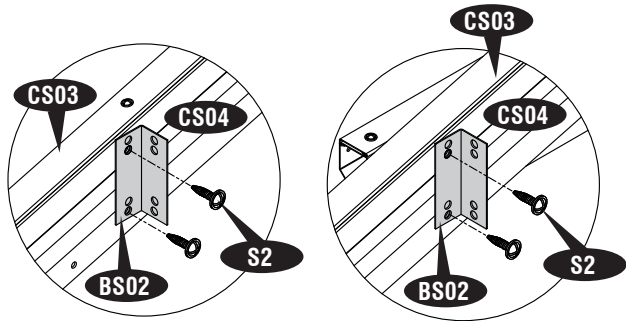


Fig.1

Fig.2

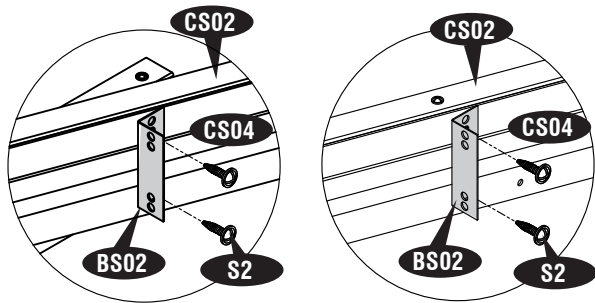
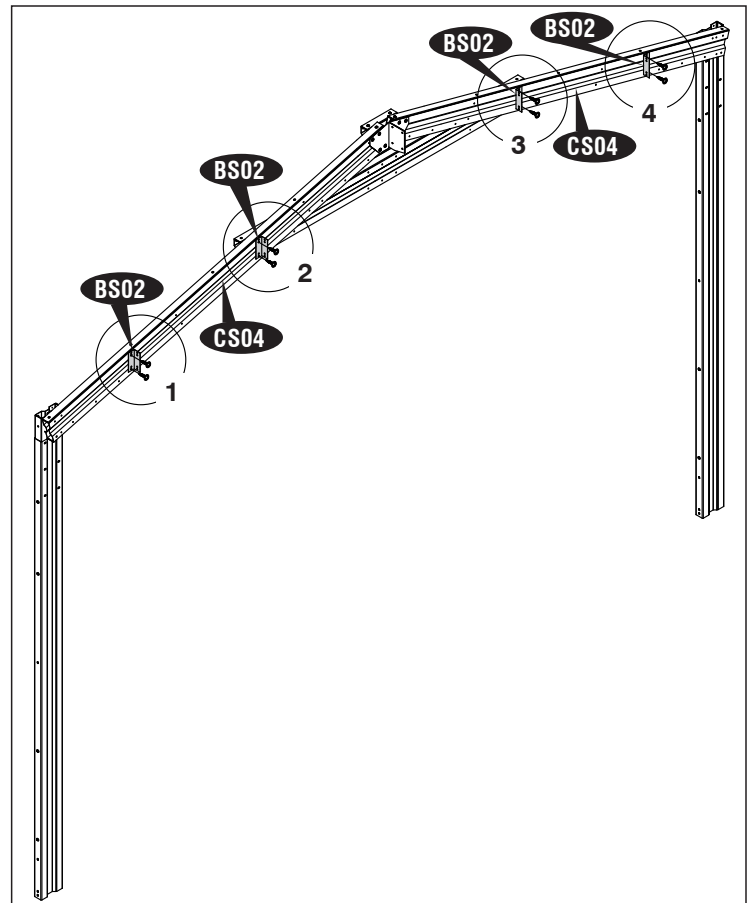


Fig.3

Fig.4



Step -10

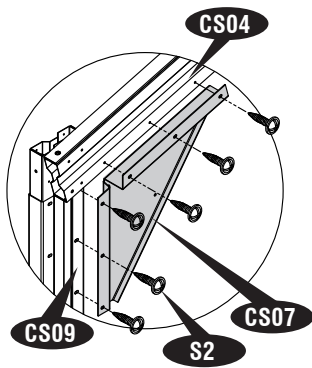


Fig.1

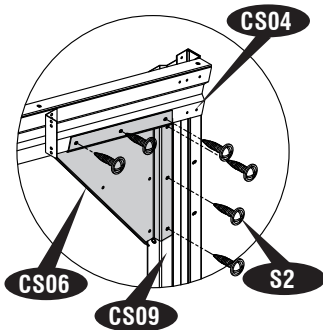
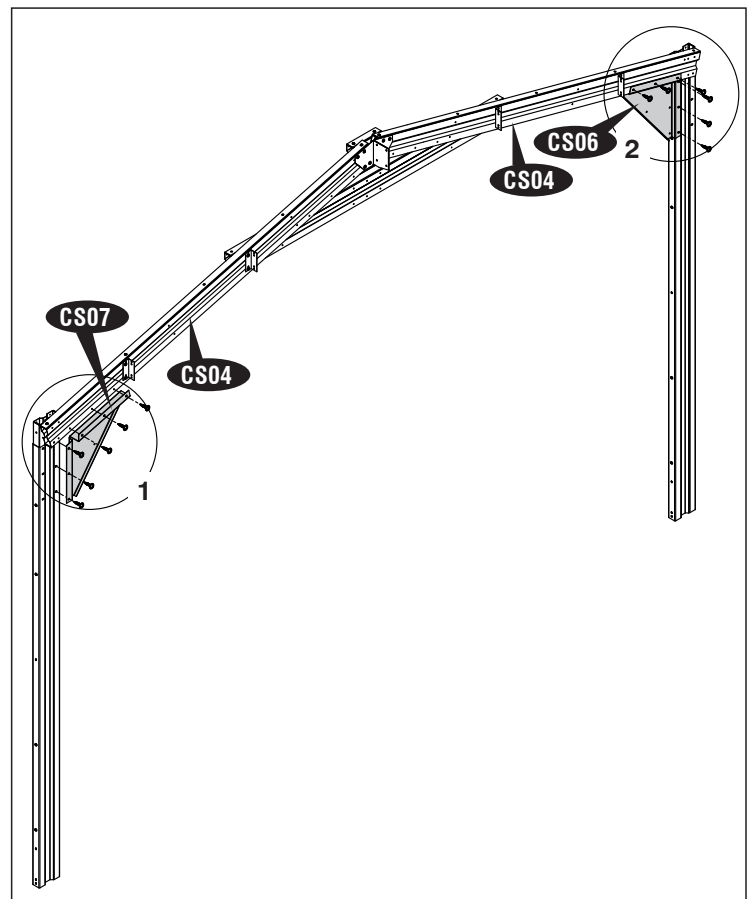
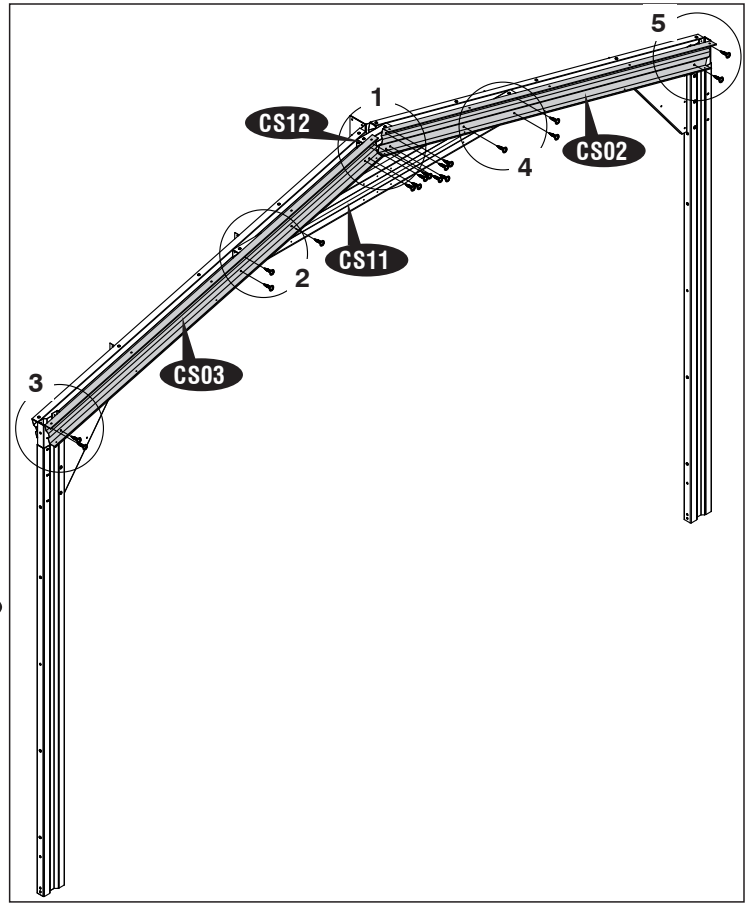
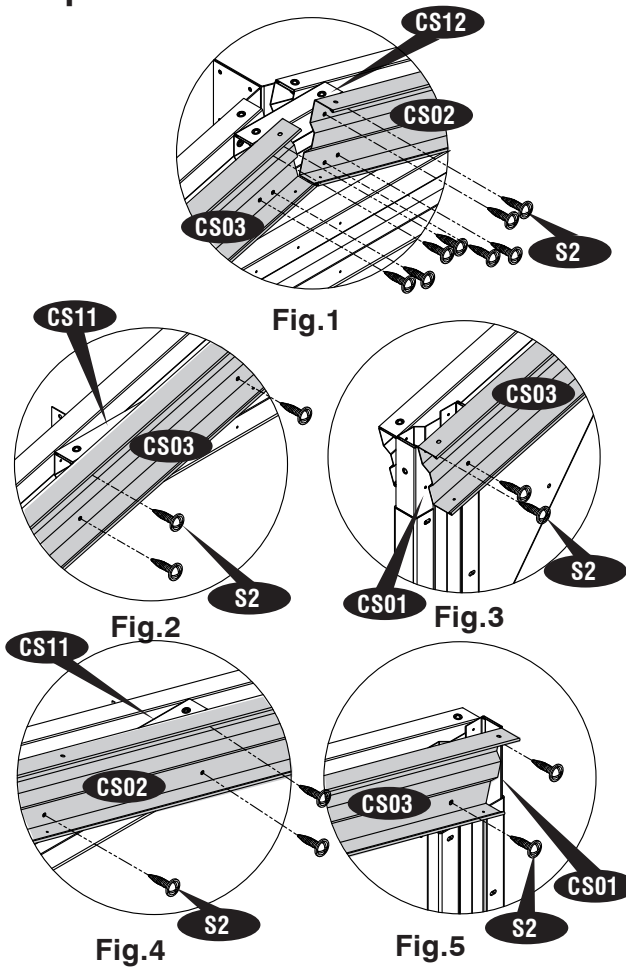


Fig.2

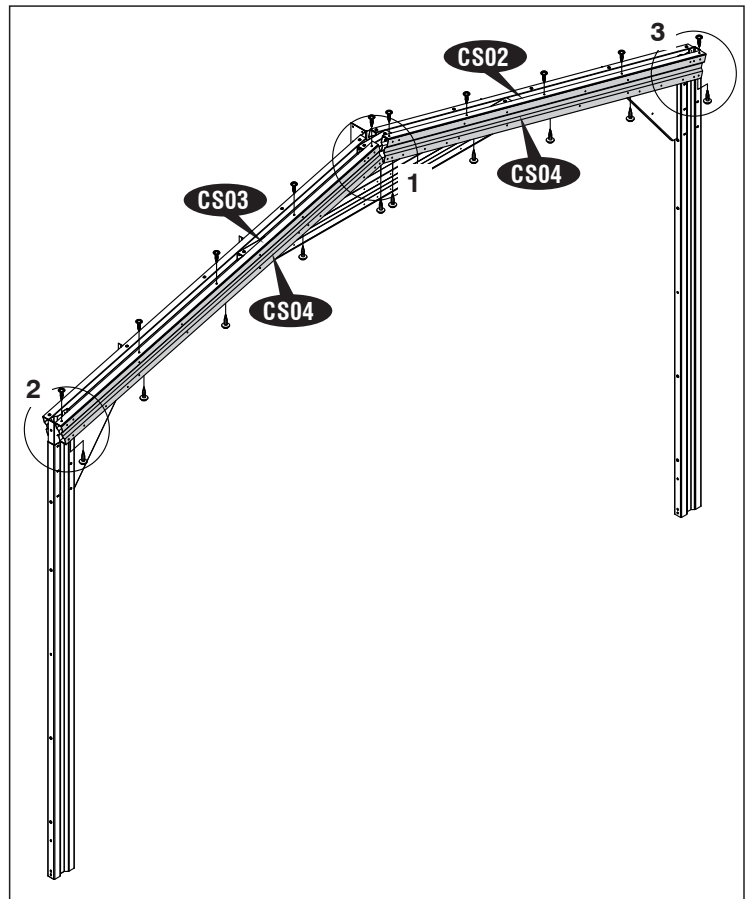
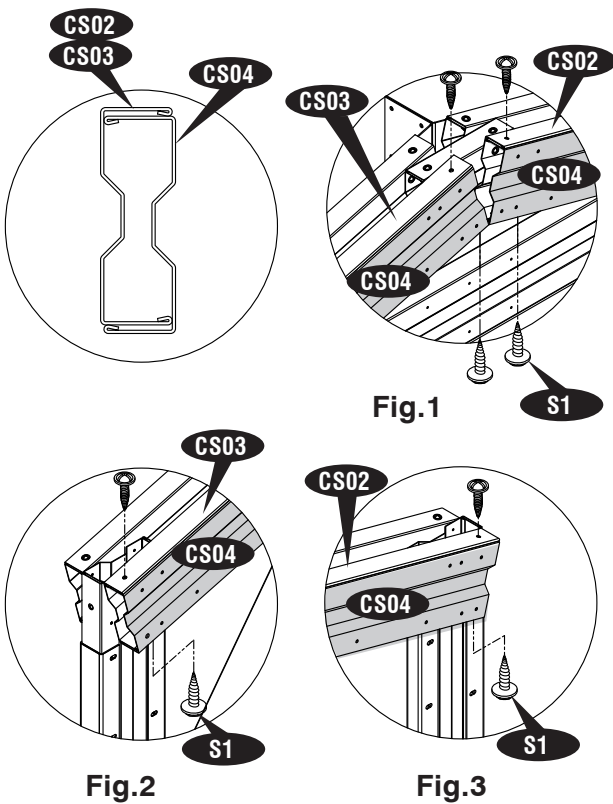


IMPORTANT: USE HAND GLOVES TO PREVENT INJURY.

Step - 11



Step - 12



Step - 13

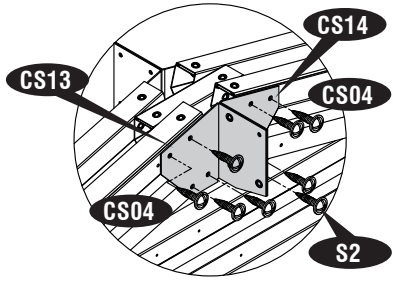
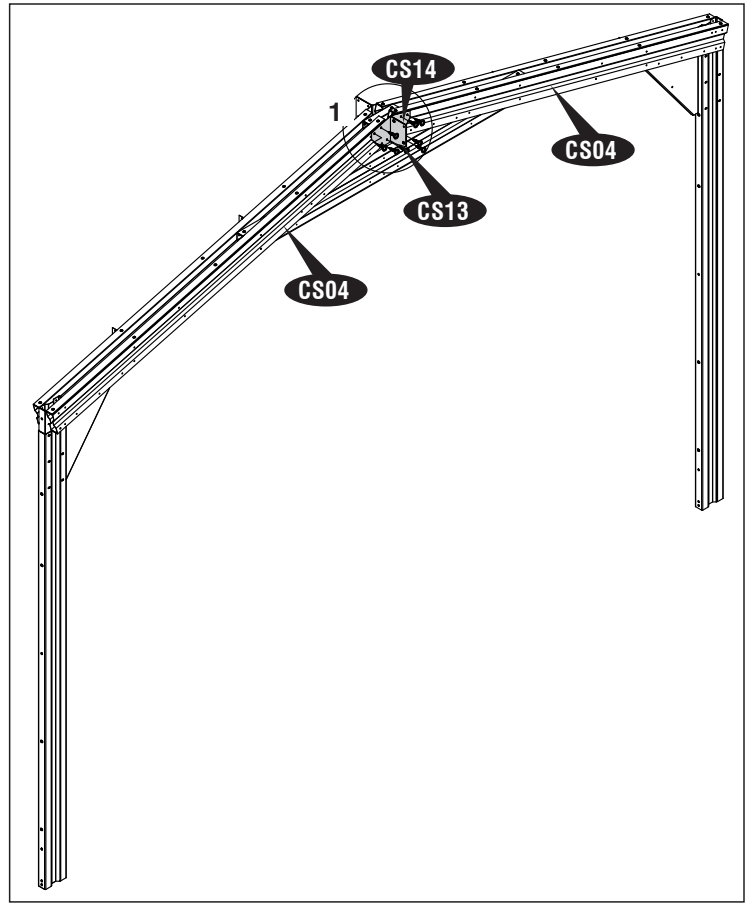


Fig.1



Step - 14

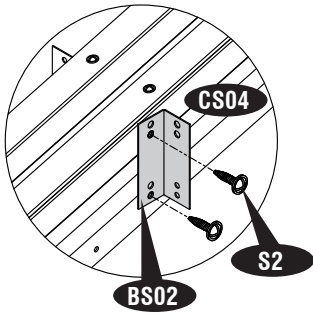


Fig.1

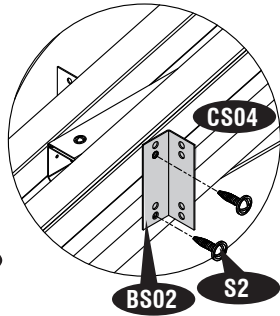


Fig.2

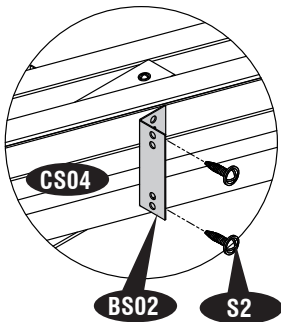


Fig.3

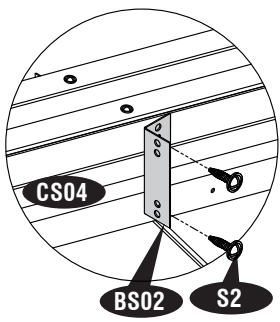
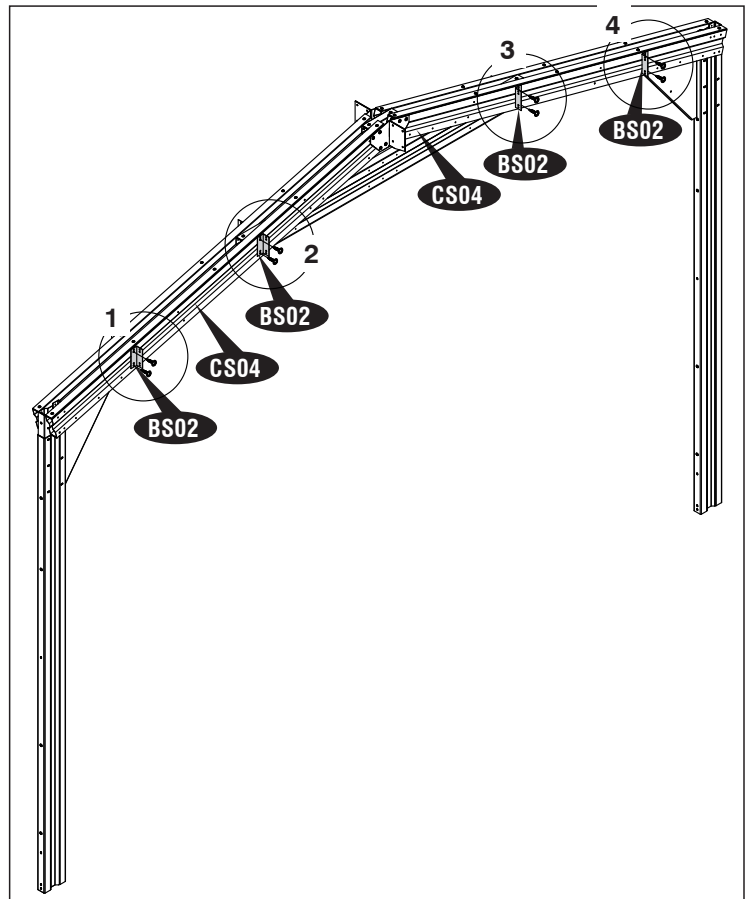


Fig.4



IMPORTANT: USE HAND GLOVES TO PREVENT INJURY.

Step - 15

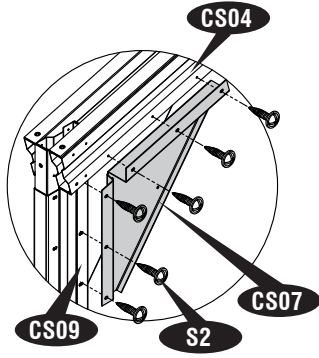


Fig.1

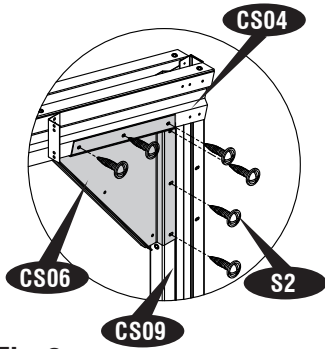
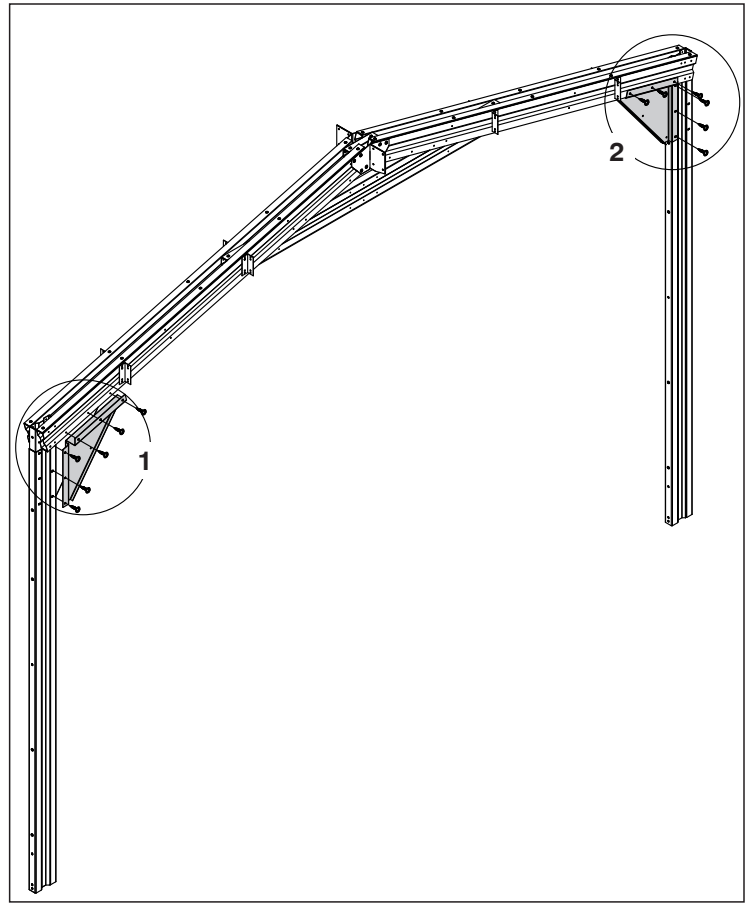


Fig.2



Step - 16

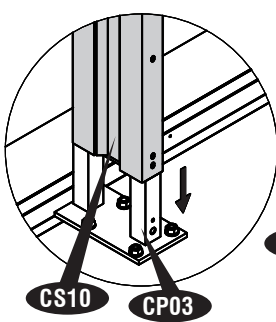


Fig.1

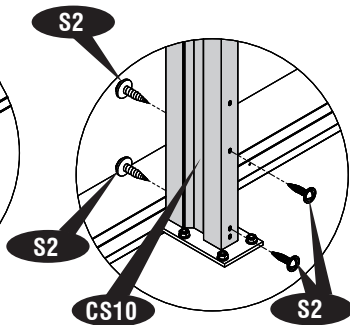


Fig.2

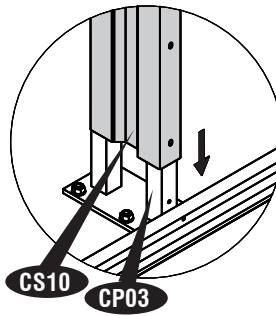


Fig.3

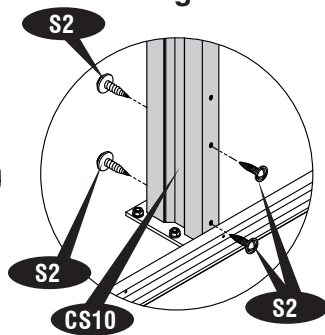
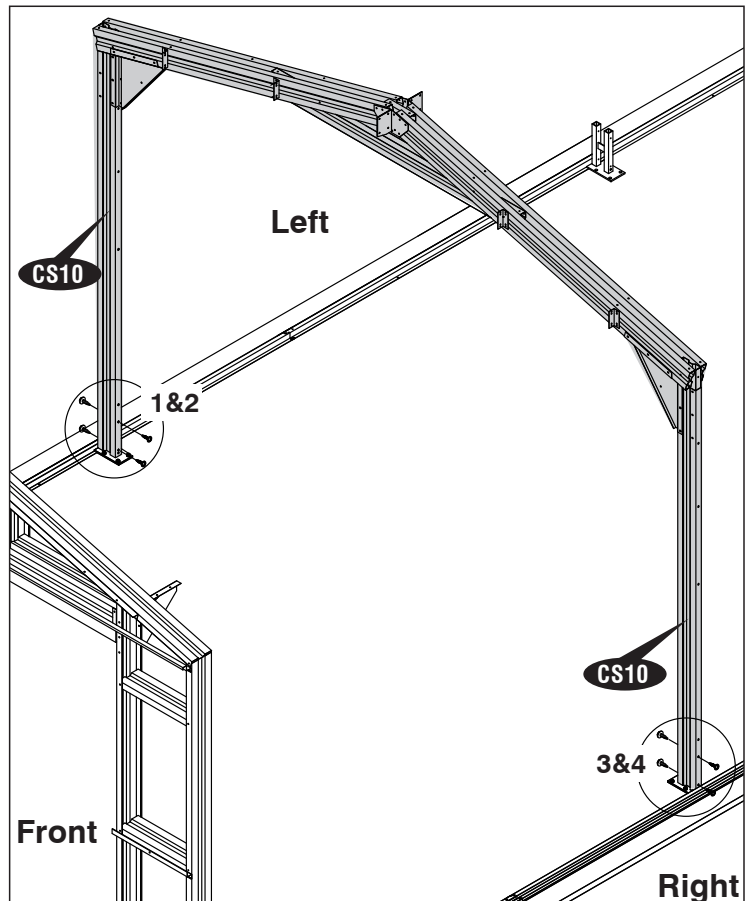


Fig.4



Step - 17

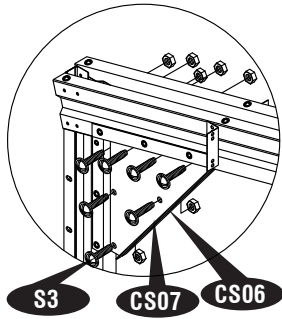


Fig.1

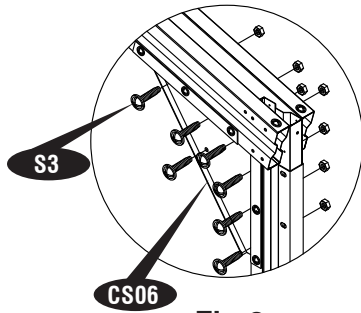
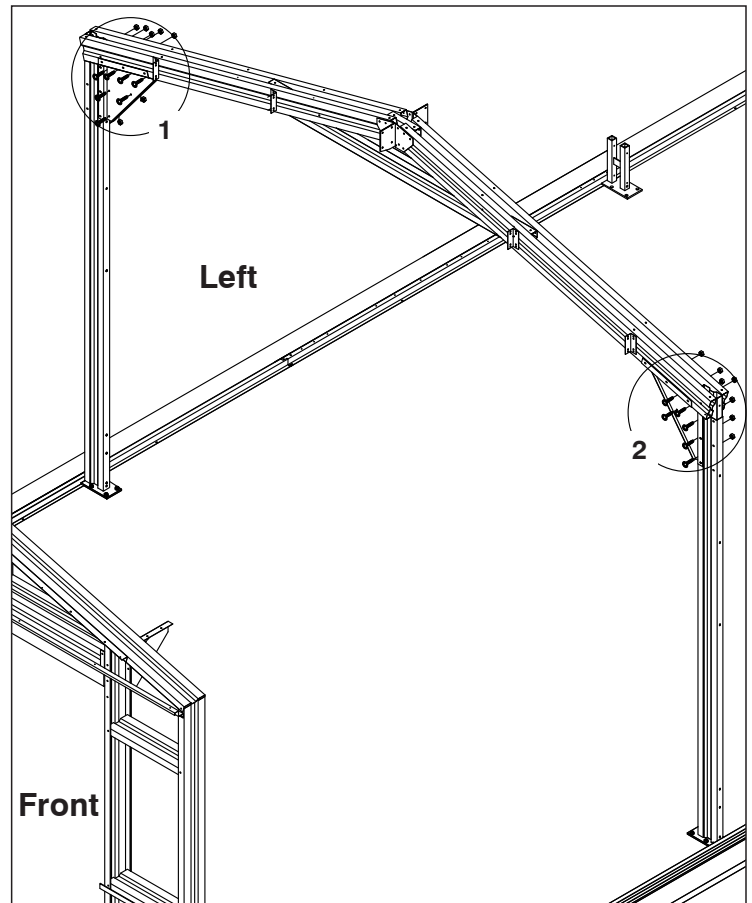


Fig.2



Step - 18

Follow steps 1-15 & prepare another center structure assembly & Assemble with Column support plate (CP03). Use (S2) Screws.

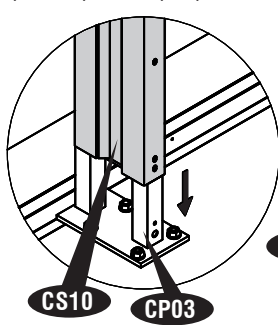


Fig.1

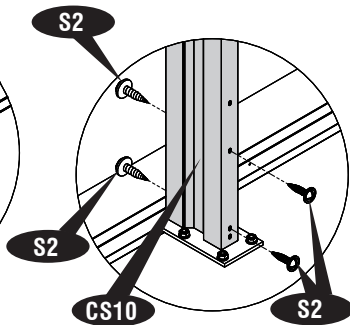


Fig.2

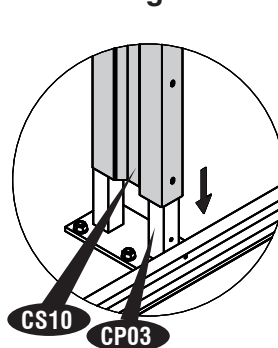


Fig.3

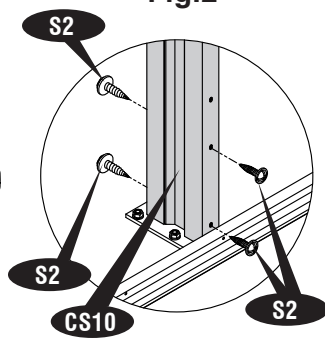
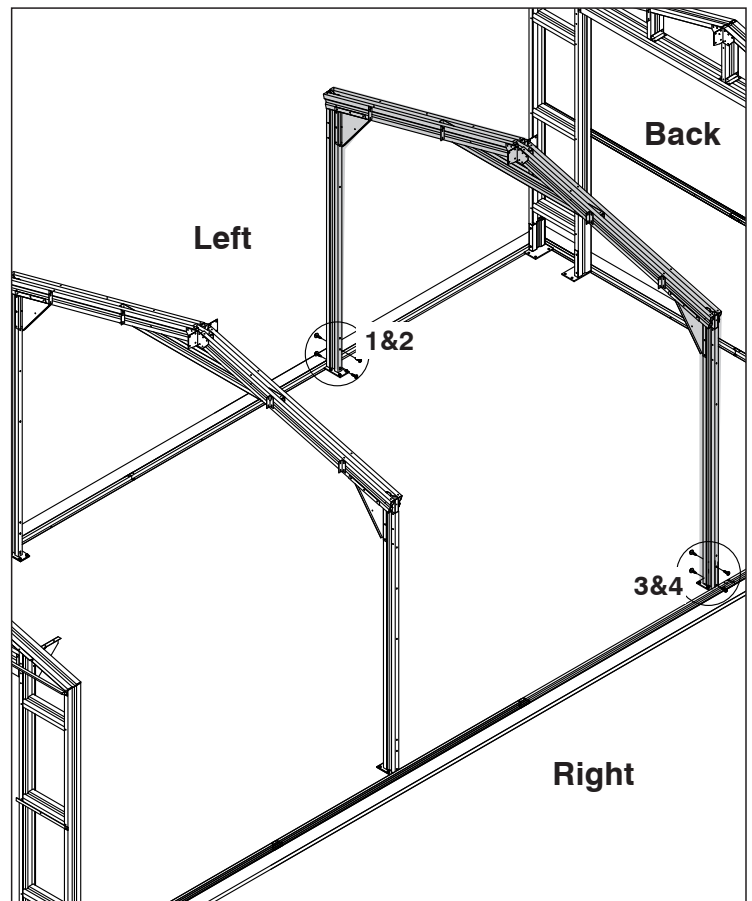


Fig.4



Step - 19

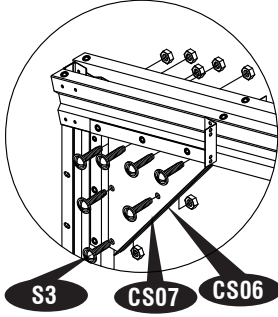


Fig.1

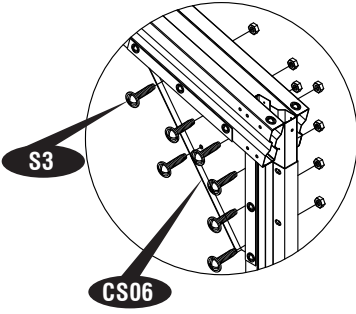
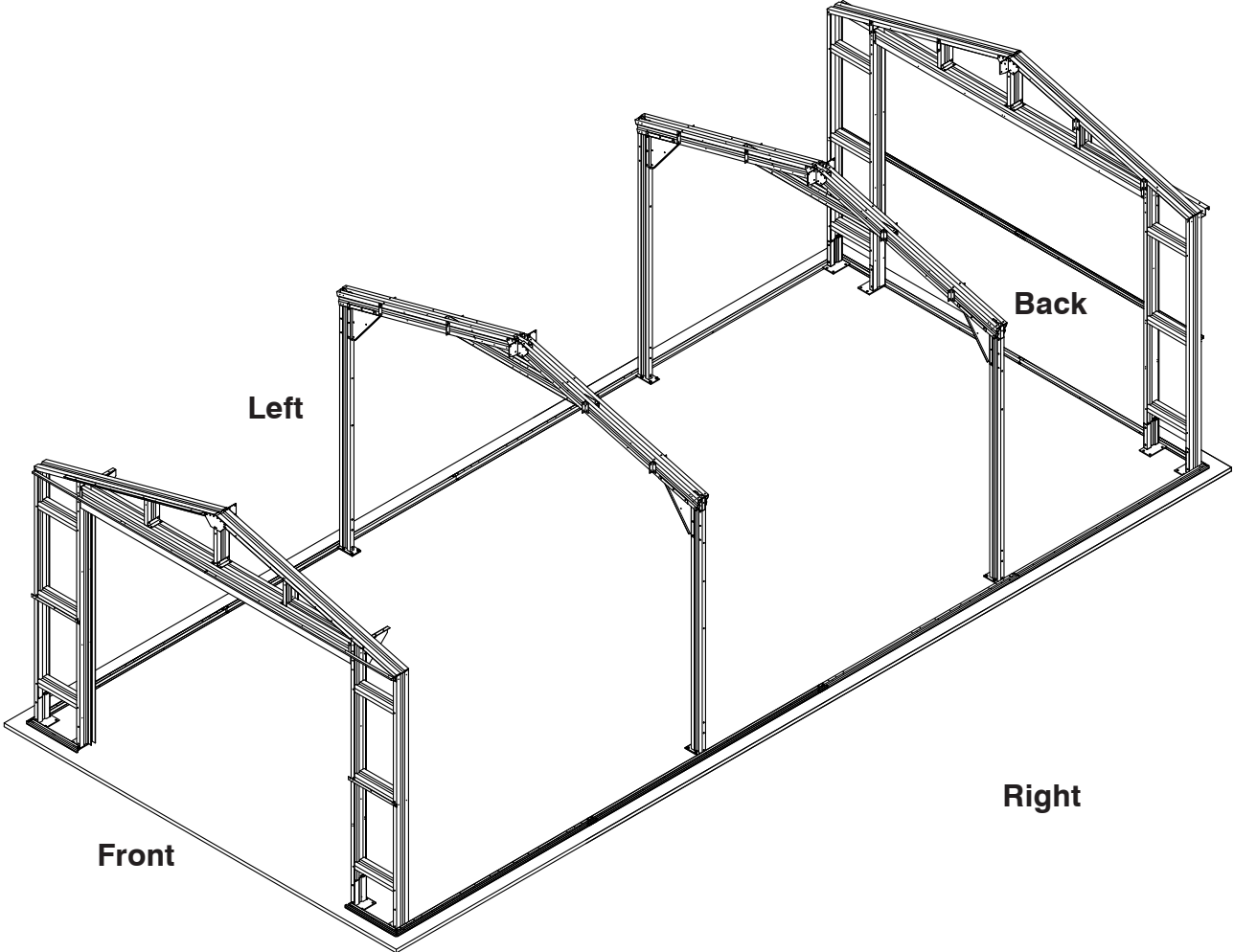
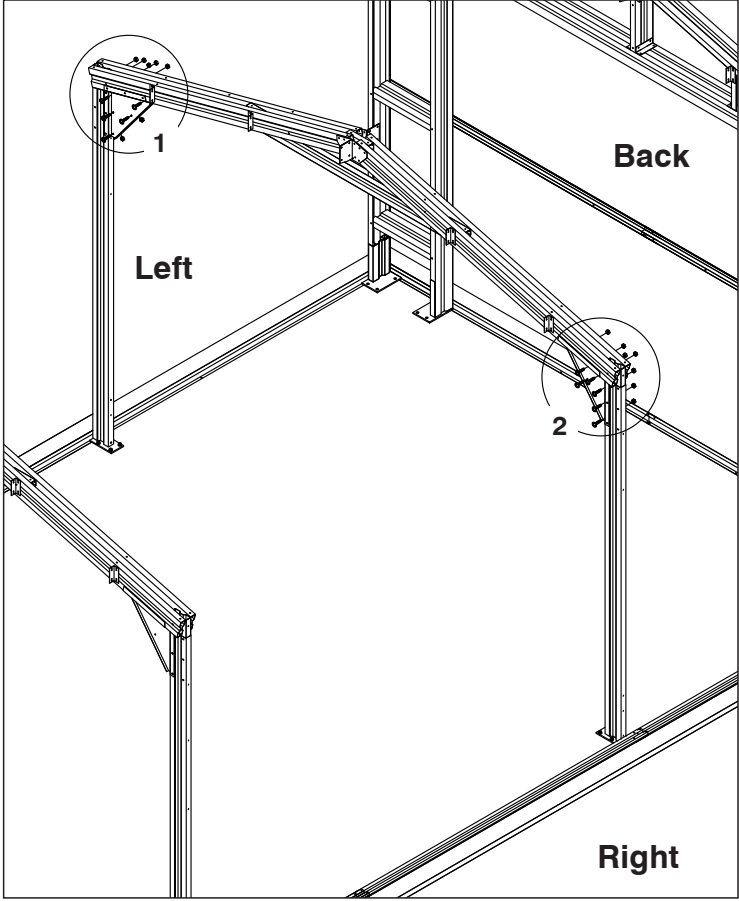


Fig.2



IMPORTANT: USE HAND GLOVES TO PREVENT INJURY.

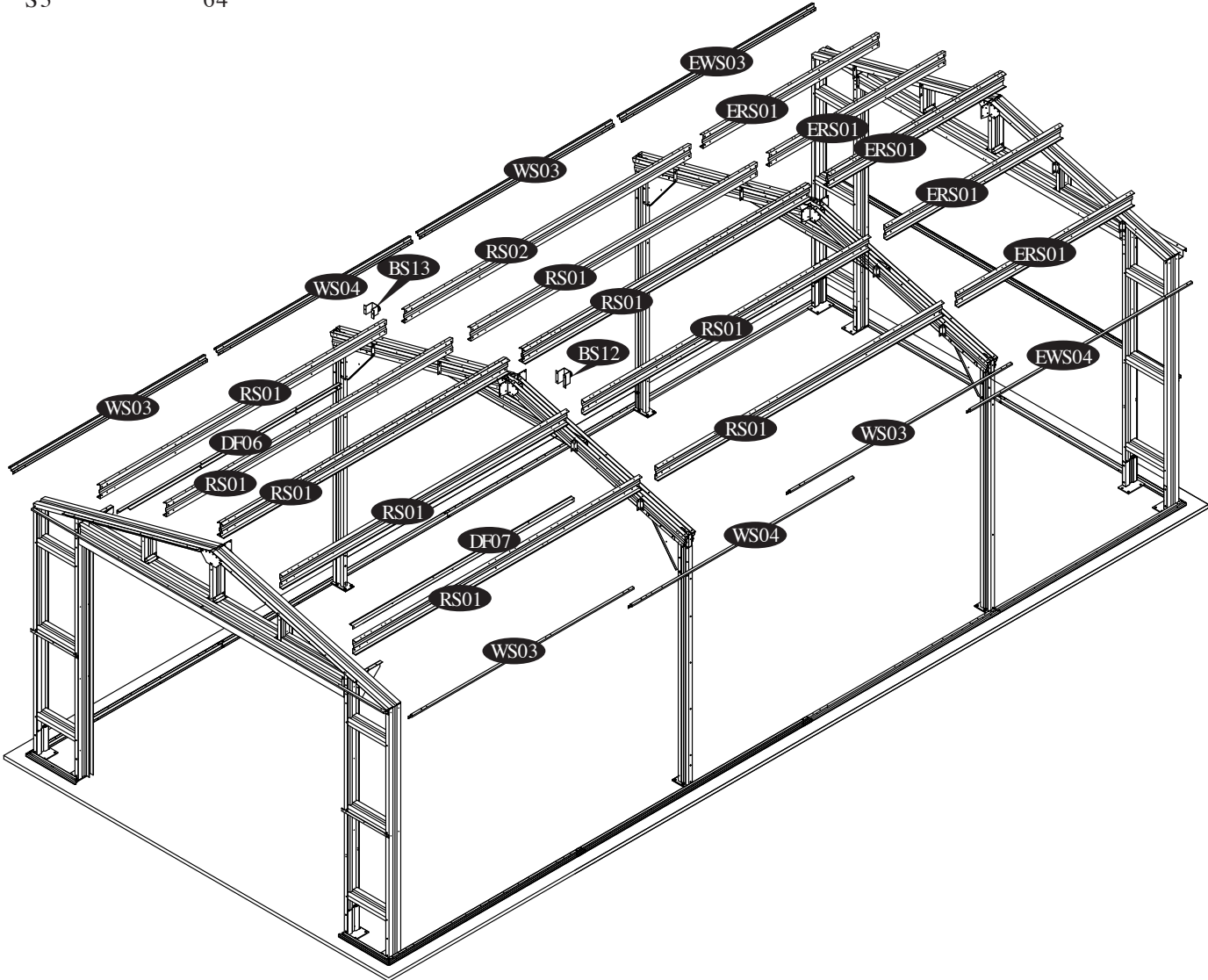
D. Roof Structure Assembly

Parts Needed:

| Code | Qty |
|------|-----|
| RS01 | 11 |
| RS02 | 1 |
| DF06 | 1 |
| DF07 | 1 |
| WS03 | 4 |
| WS04 | 2 |
| BS12 | 1 |
| BS13 | 1 |
| GW | 3 |
| S1 | 20 |
| S2 | 18 |
| S3 | 64 |

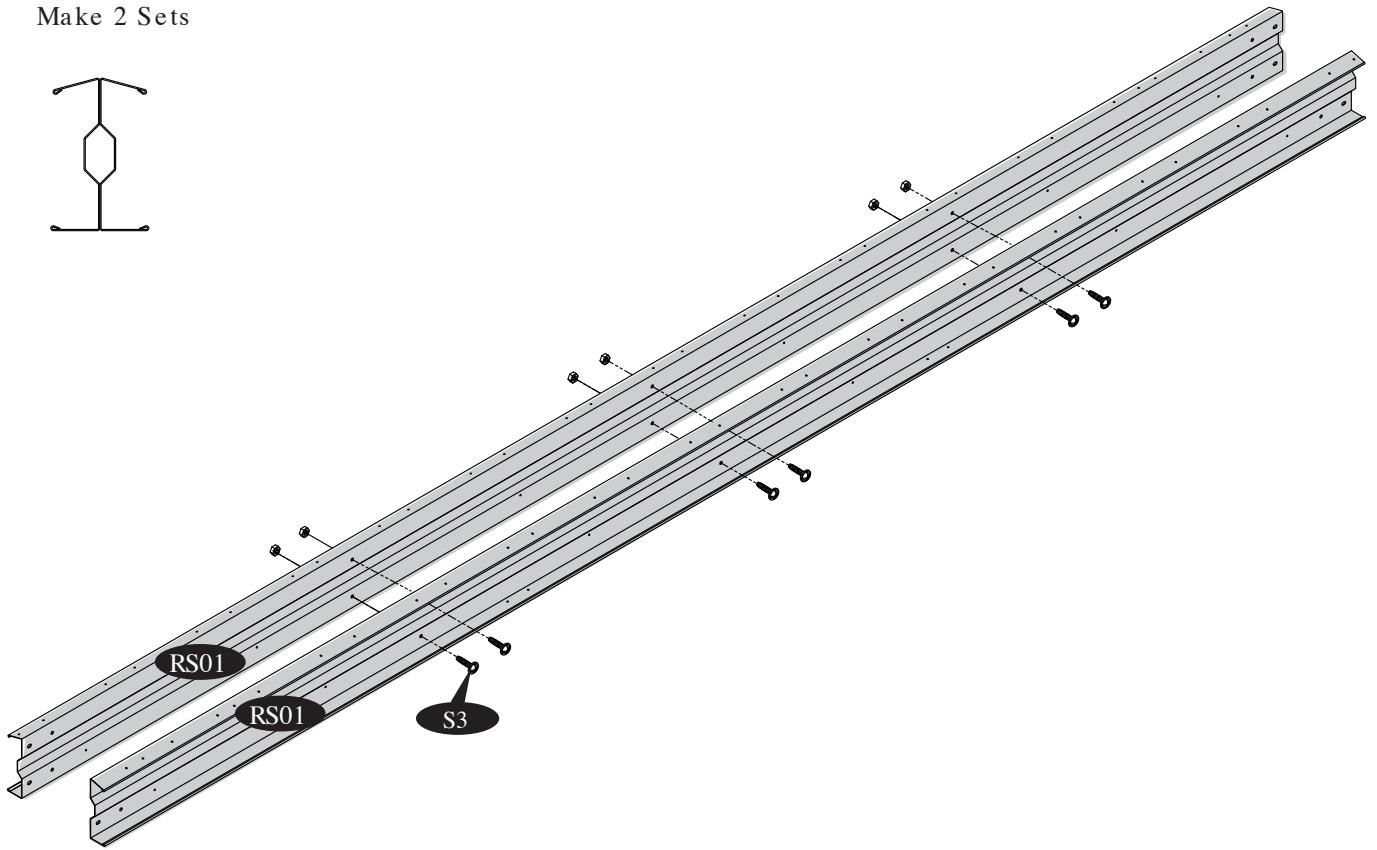
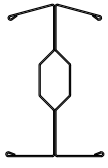
Parts Needed for each extension:

| Code | Qty |
|-------|-----|
| ERS01 | 6 |
| EWS03 | 1 |
| EWS04 | 1 |
| S1 | 6 |
| S2 | 2 |
| S3 | 28 |

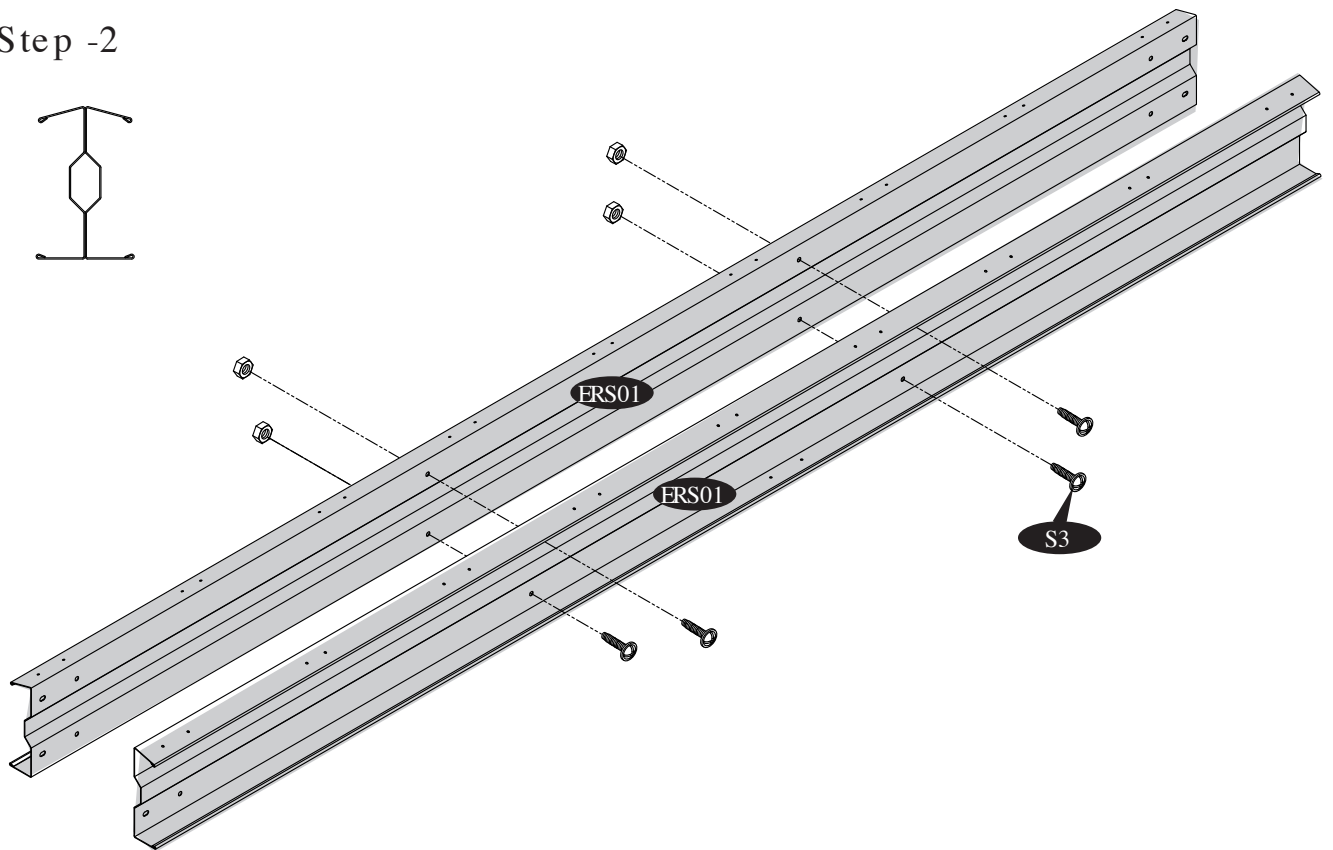
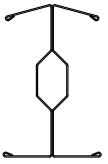


Step -1

Make 2 Sets



Step -2



Step -3

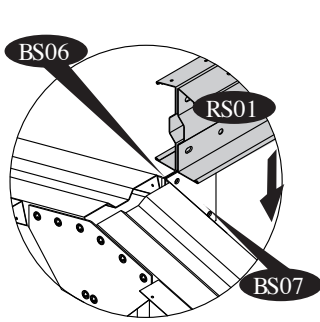
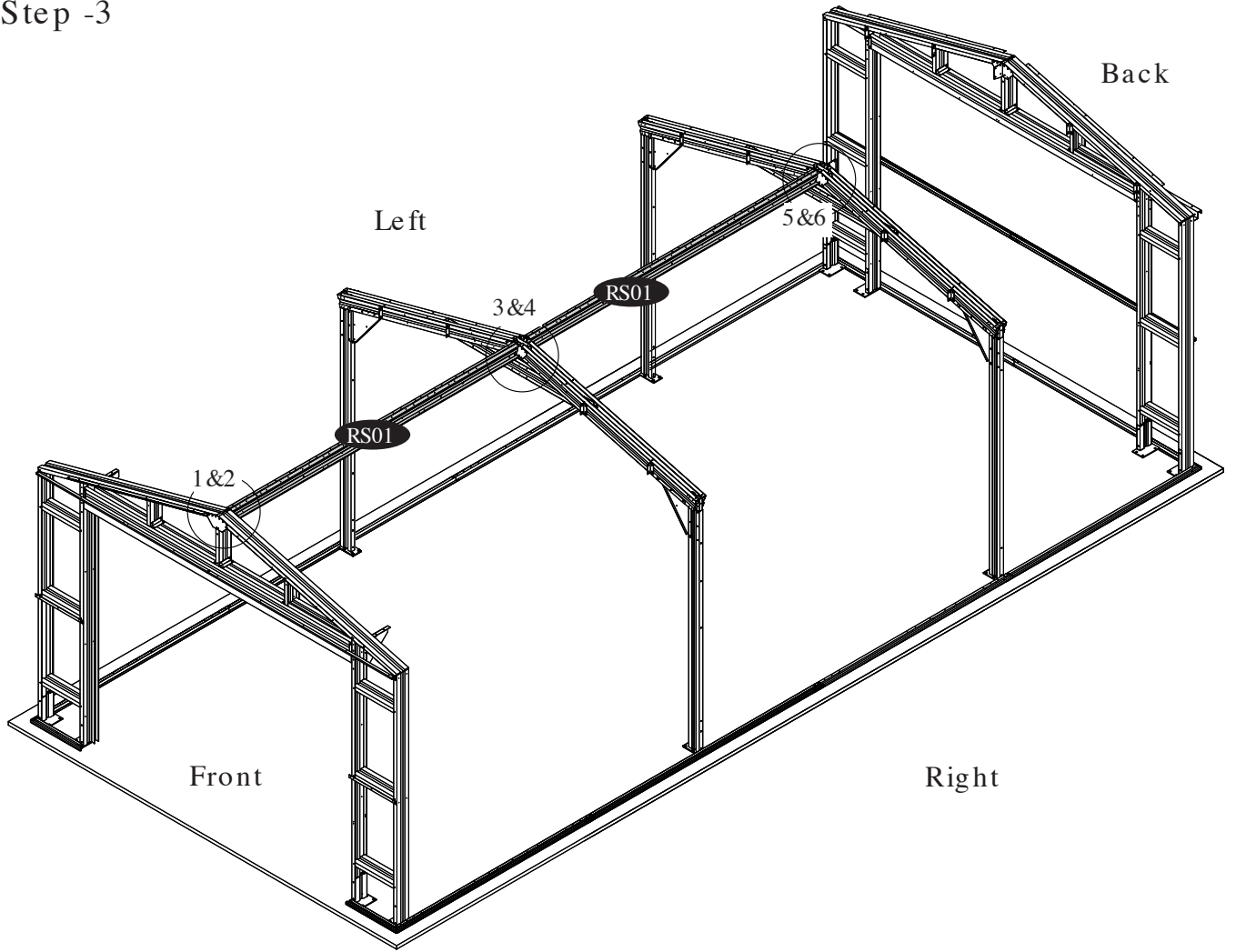


Fig.1

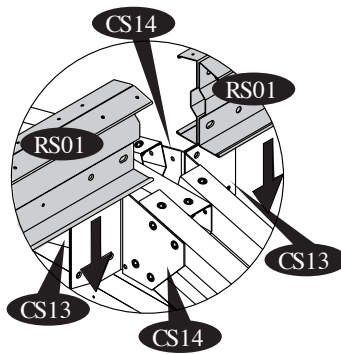


Fig.3

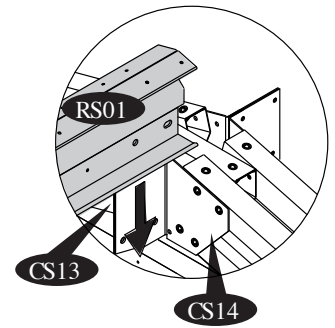


Fig.5

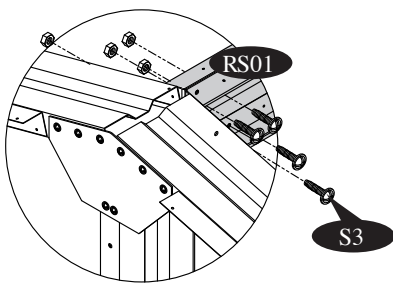


Fig.2

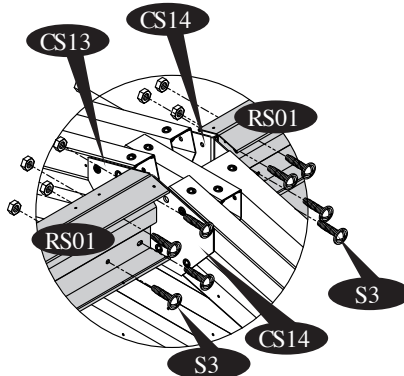


Fig.4

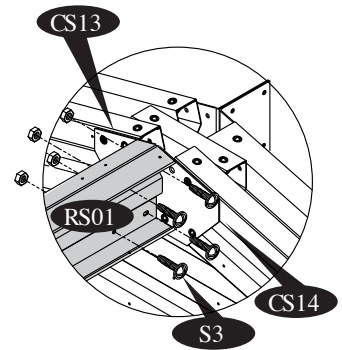


Fig.6

IMPORTANT: USE HAND GLOVES TO PREVENT INJURY.

Step -4

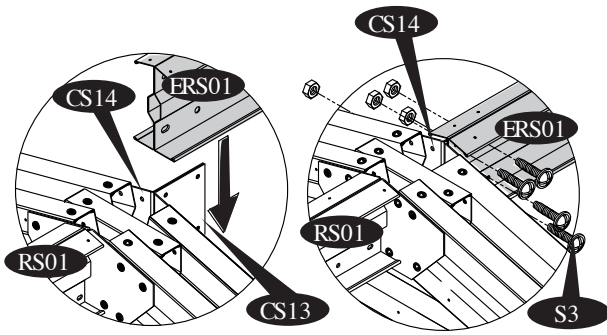


Fig.1

Fig.2

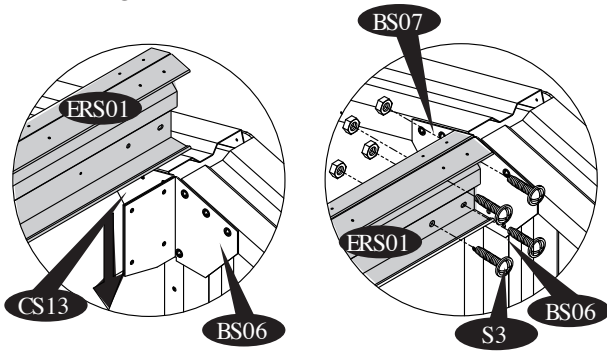
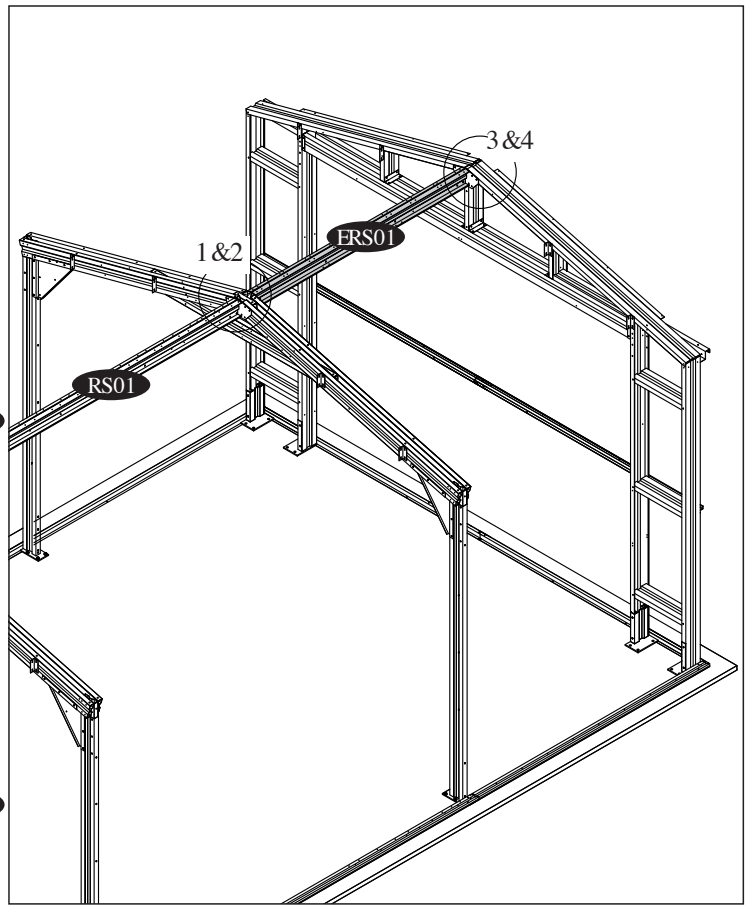


Fig.3

Fig.4



Step -5

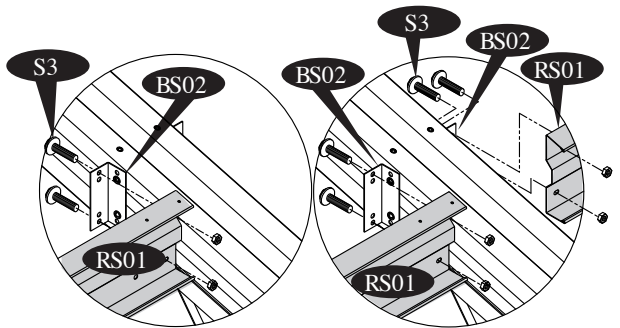


Fig.1

Fig.2

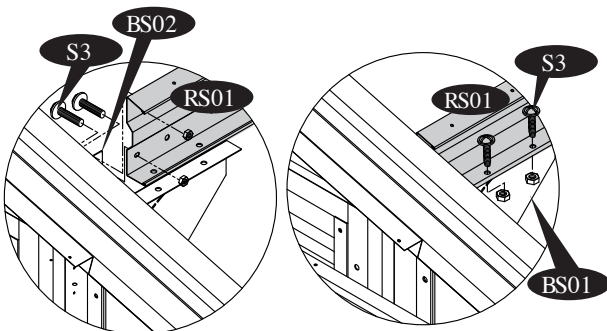
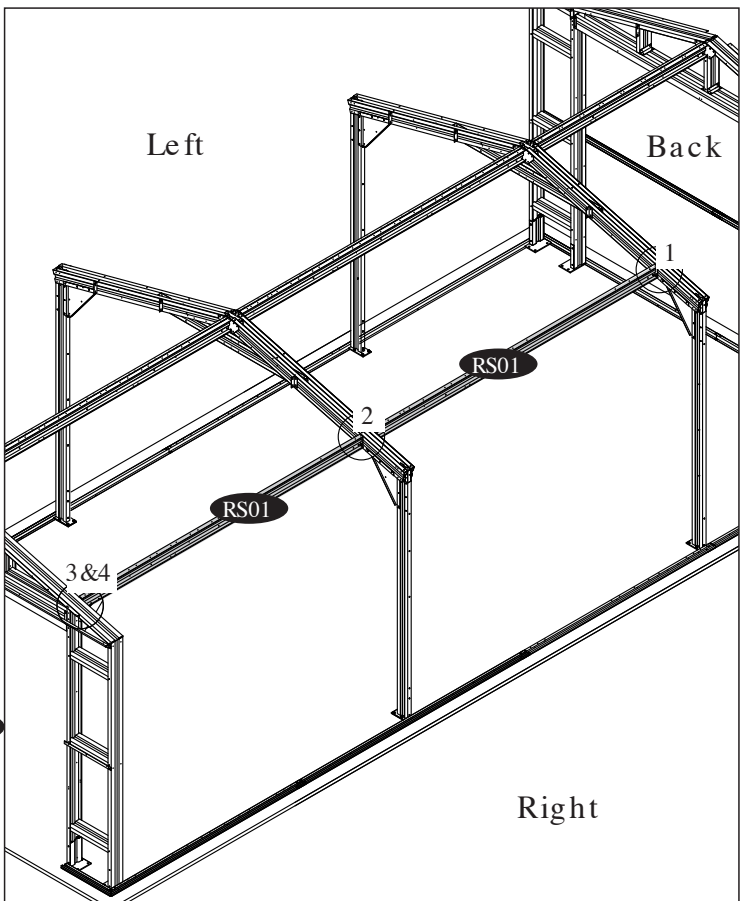


Fig.3

Fig.4



Step - 6

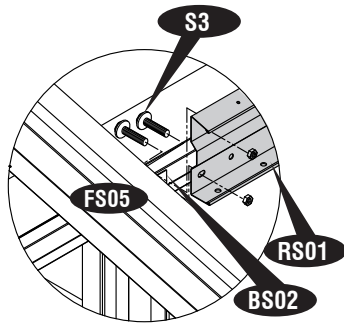


Fig.1

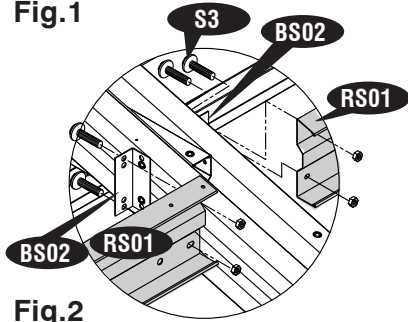


Fig.2

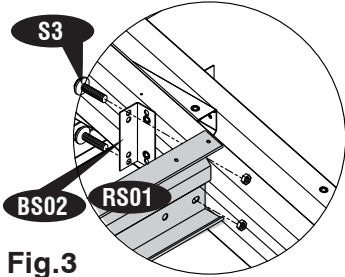
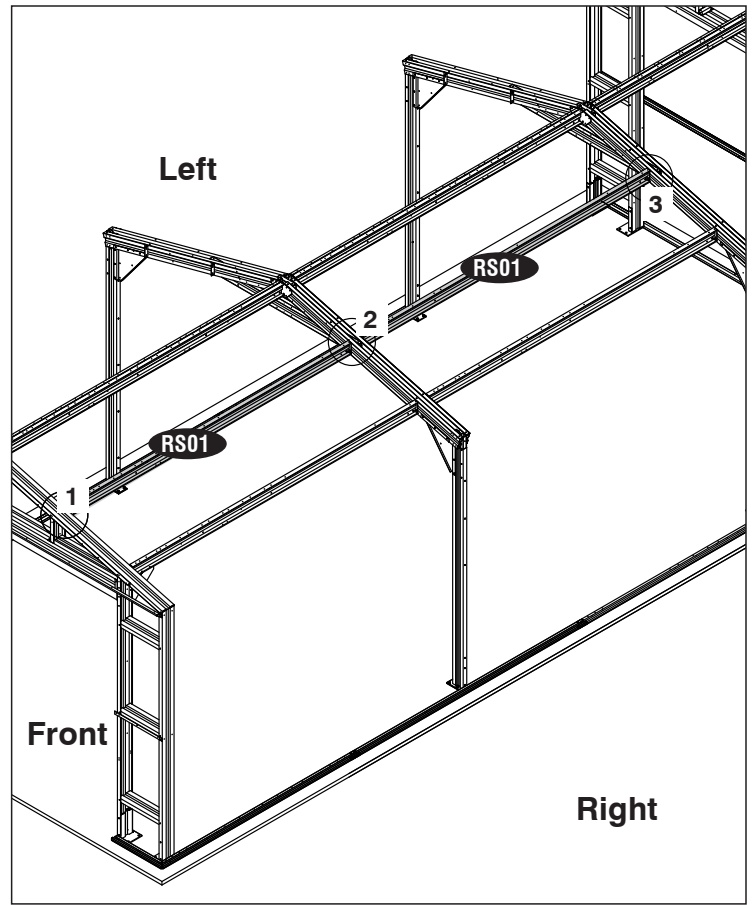


Fig.3



Step - 7

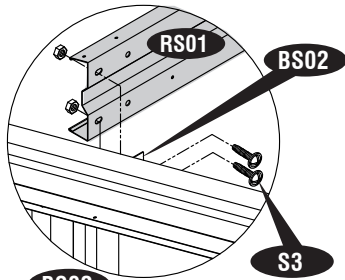


Fig.1

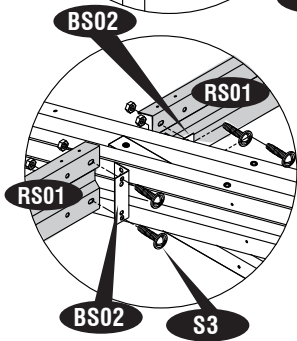


Fig.2

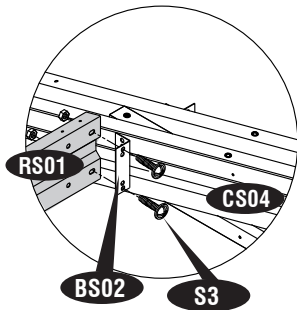
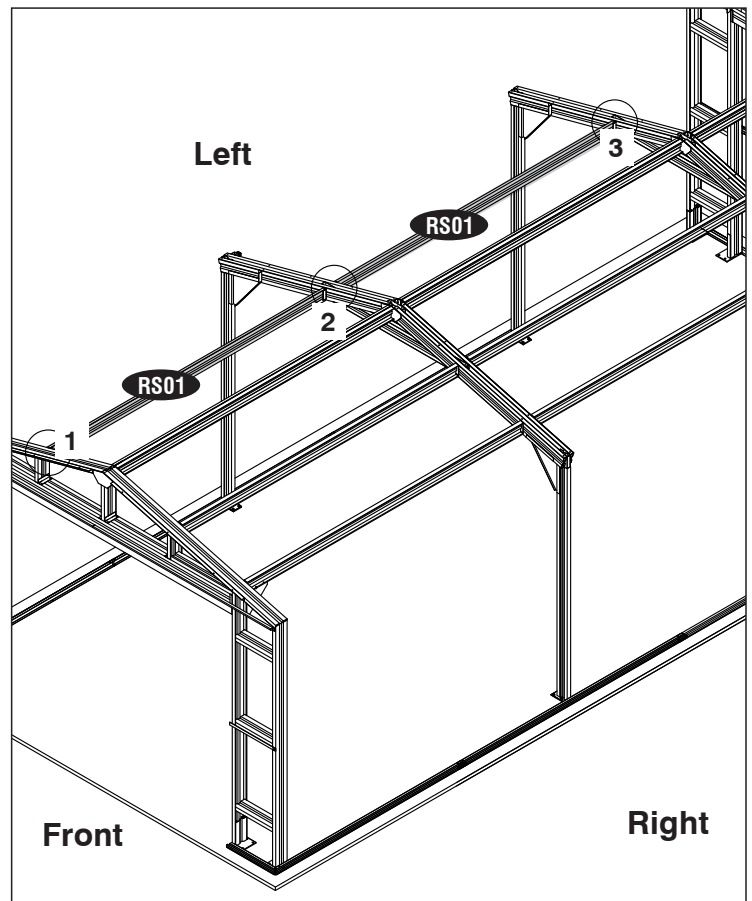
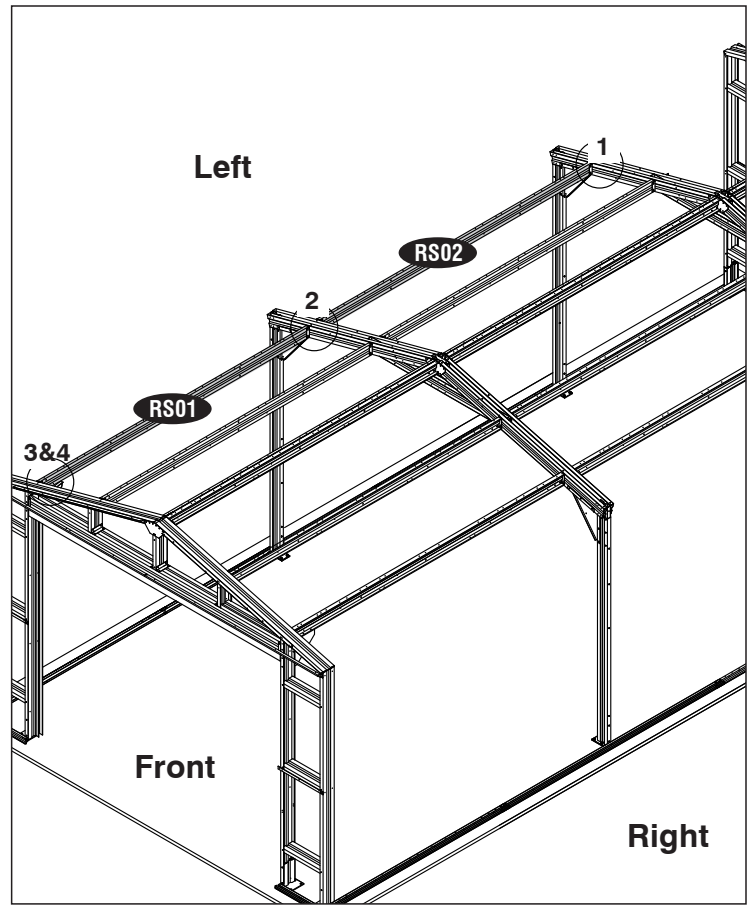
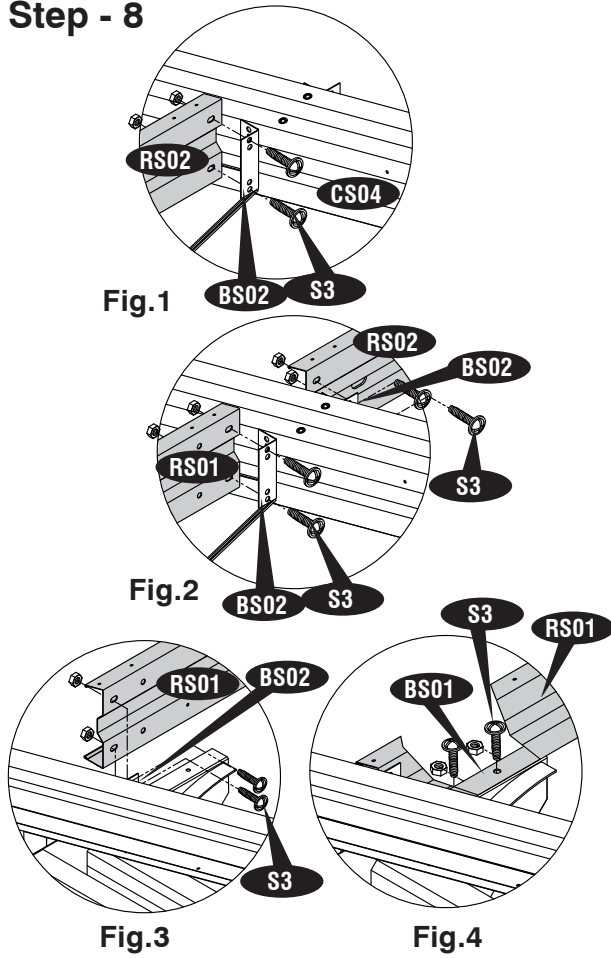


Fig.3

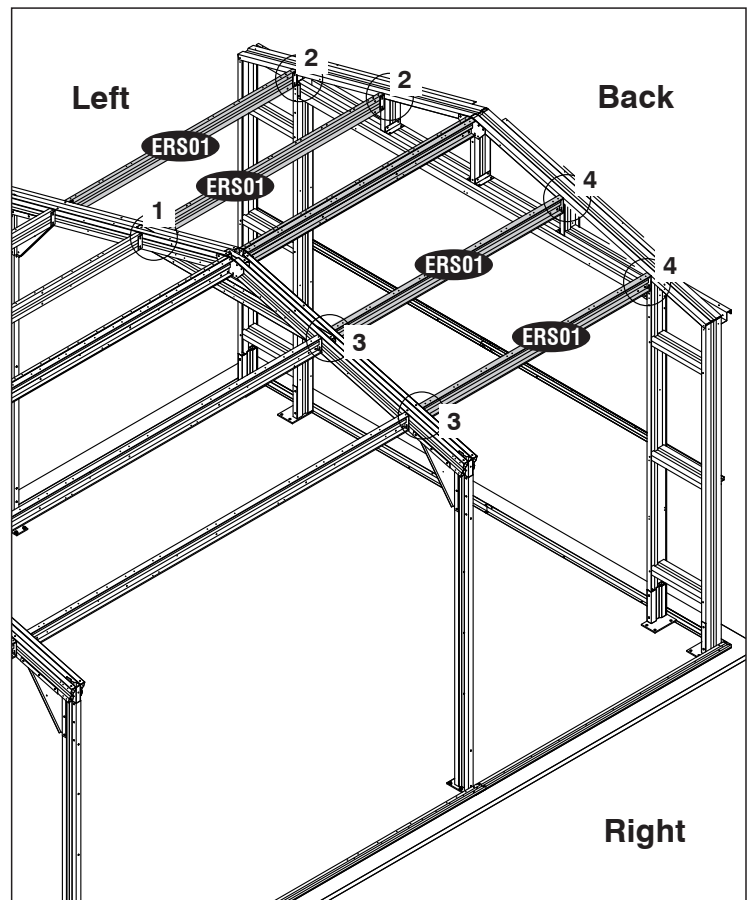
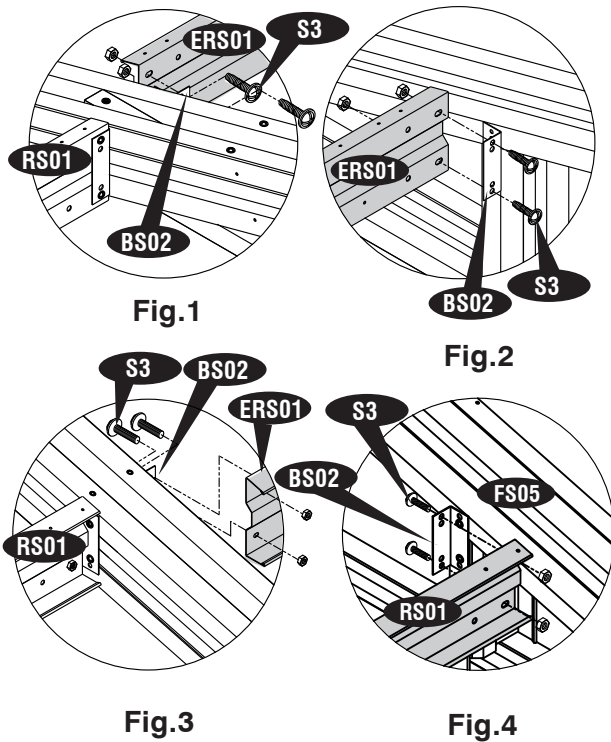


IMPORTANT: USE HAND GLOVES TO PREVENT INJURY.

Step - 8



Step -9



Step - 10

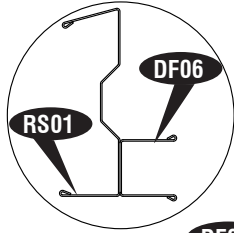


Fig.1

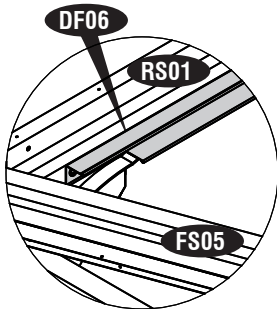
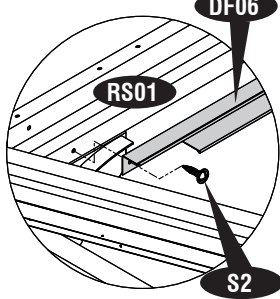


Fig.2

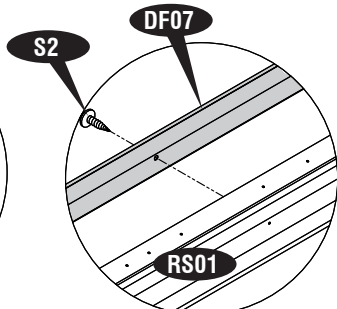
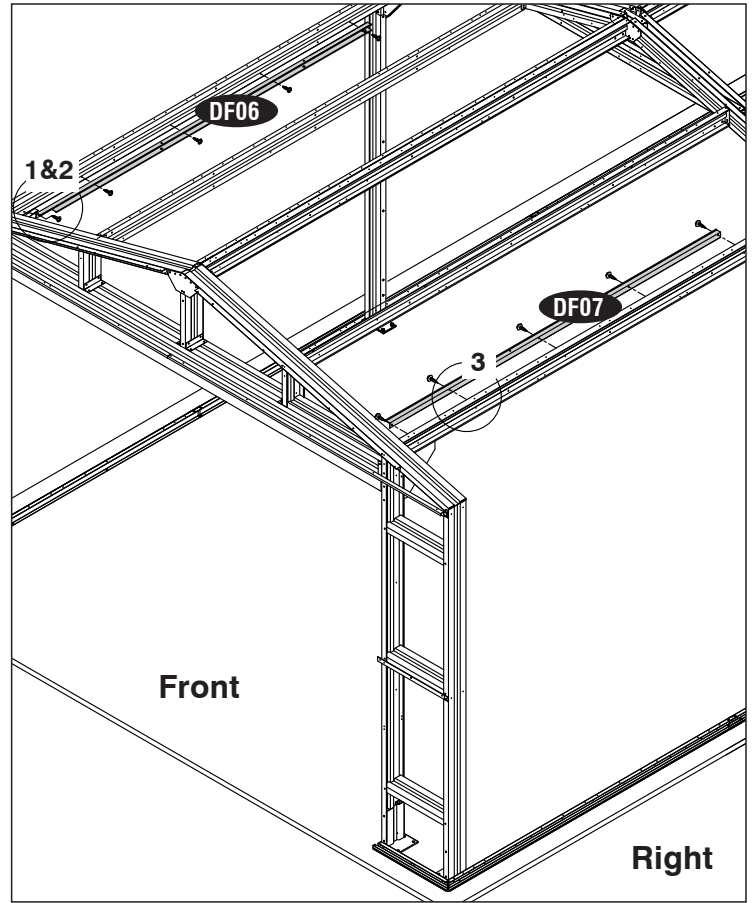


Fig.3



Step - 11

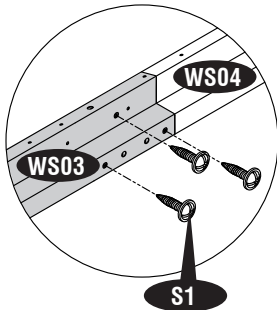


Fig.1

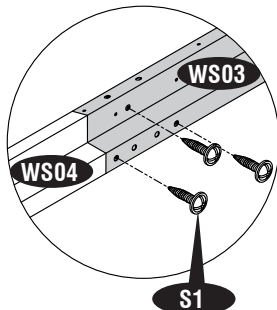


Fig.2

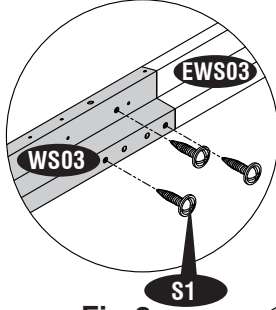
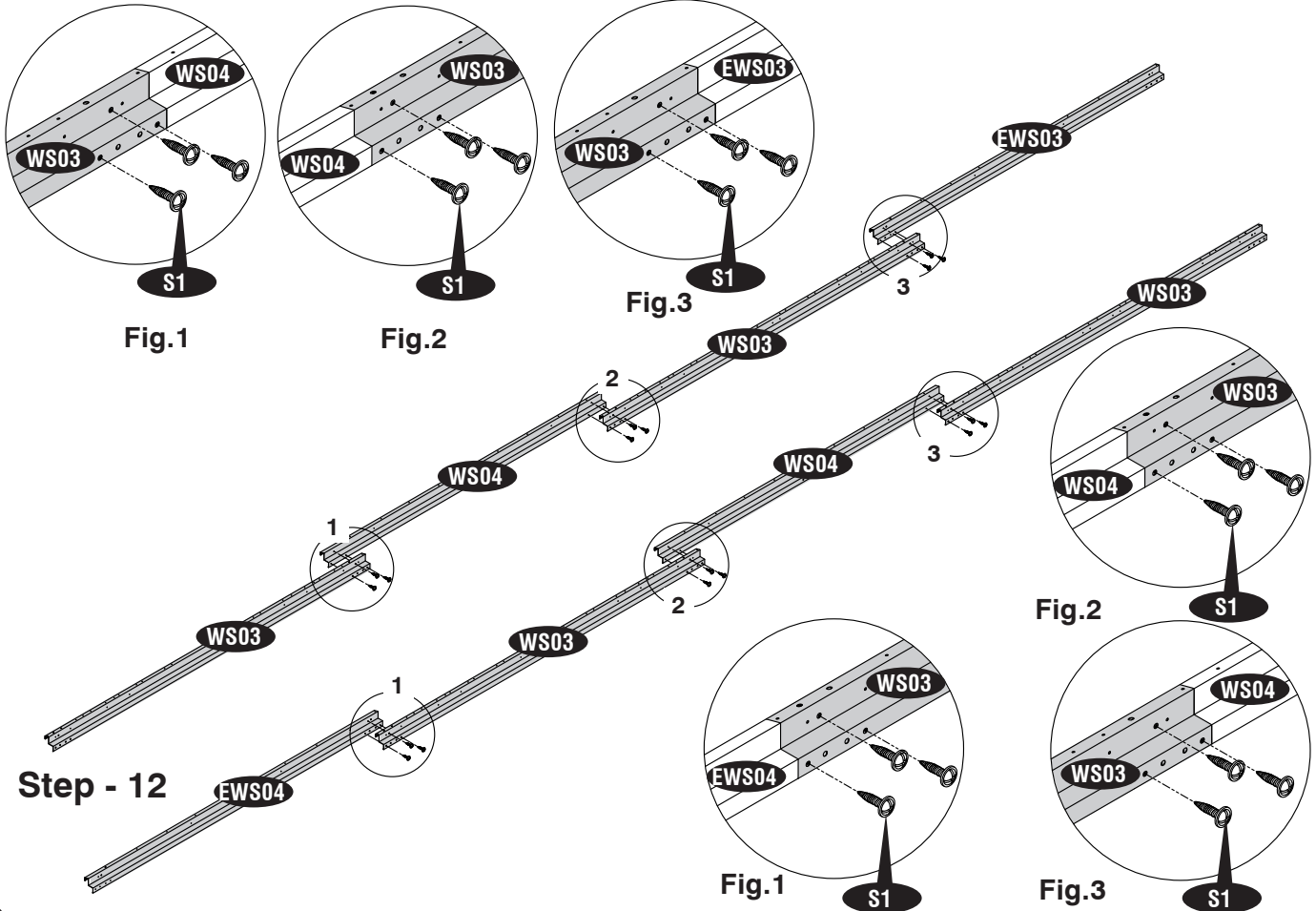


Fig.3



Step - 12

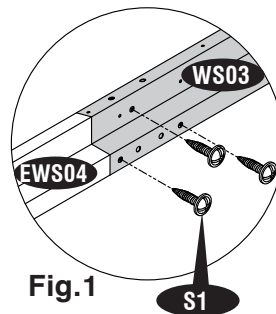


Fig.1

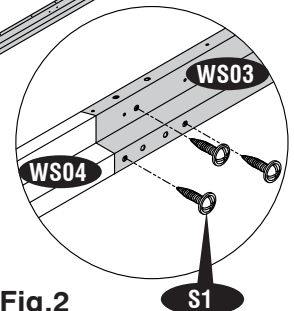


Fig.2

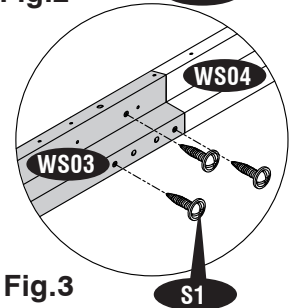


Fig.3

IMPORTANT: USE HAND GLOVES TO PREVENT INJURY.

Step - 13

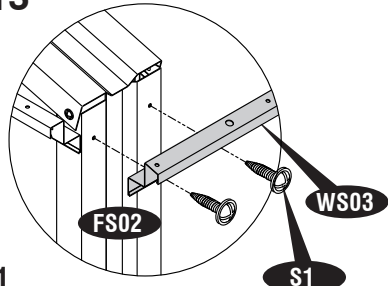


Fig.1

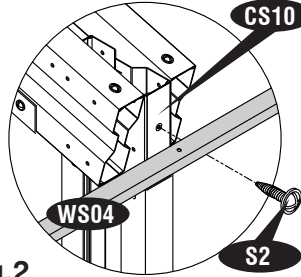


Fig.2

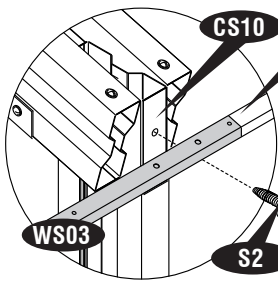


Fig.3

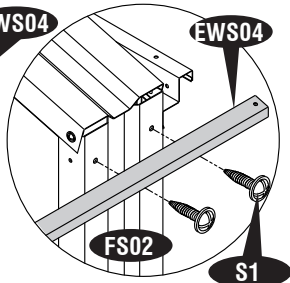
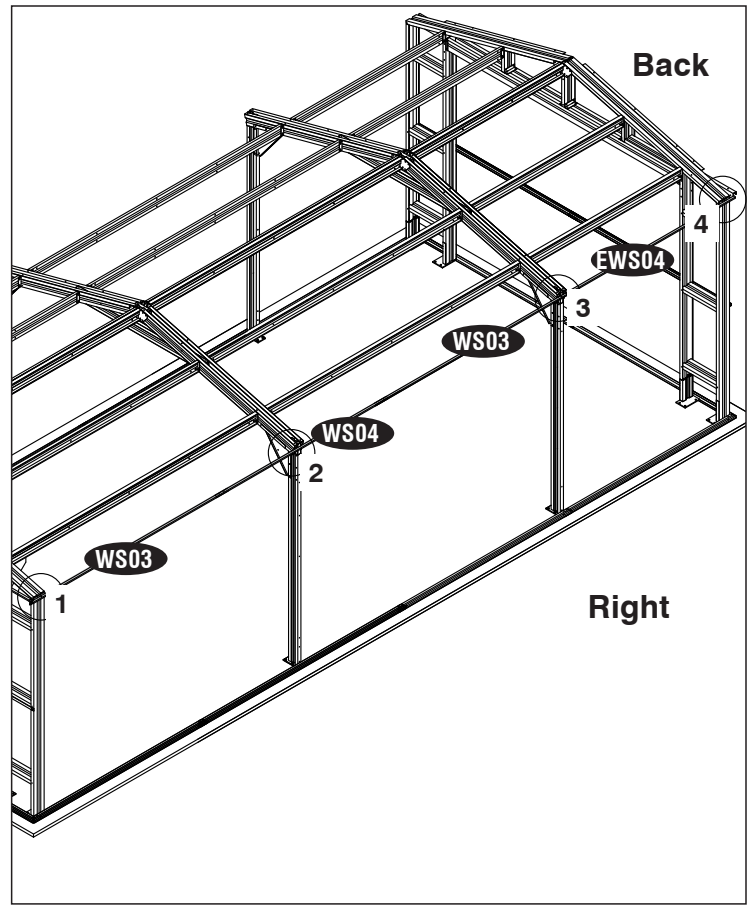


Fig.4



Step - 14

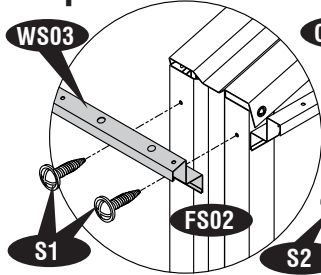


Fig.1

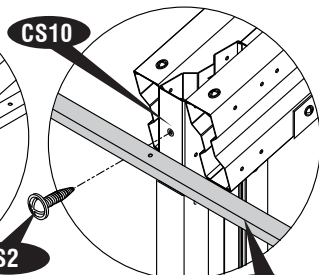


Fig.2

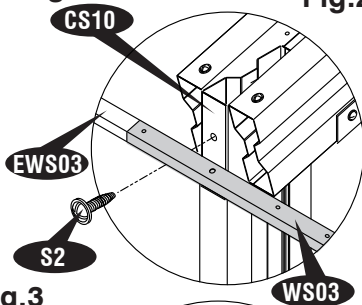


Fig.3

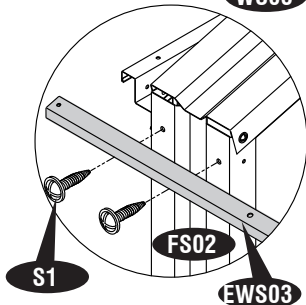
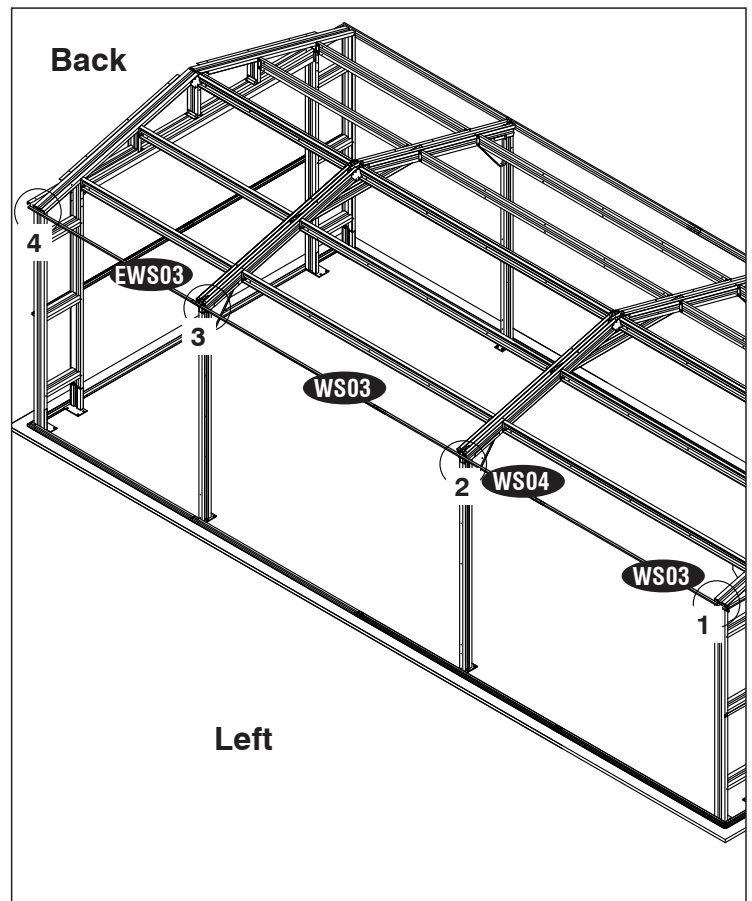


Fig.4



IMPORTANT: USE HAND GLOVES TO PREVENT INJURY.

Step - 15

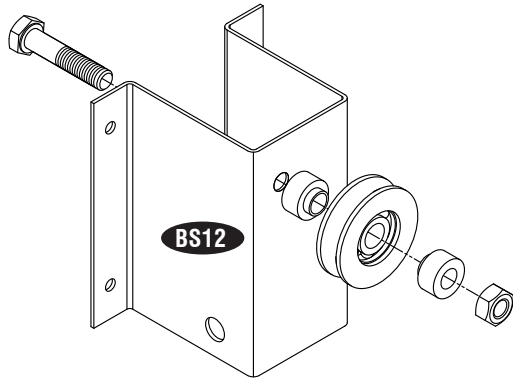


Fig.1

Step - 16

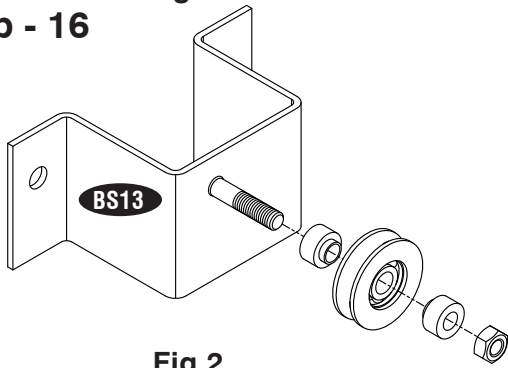
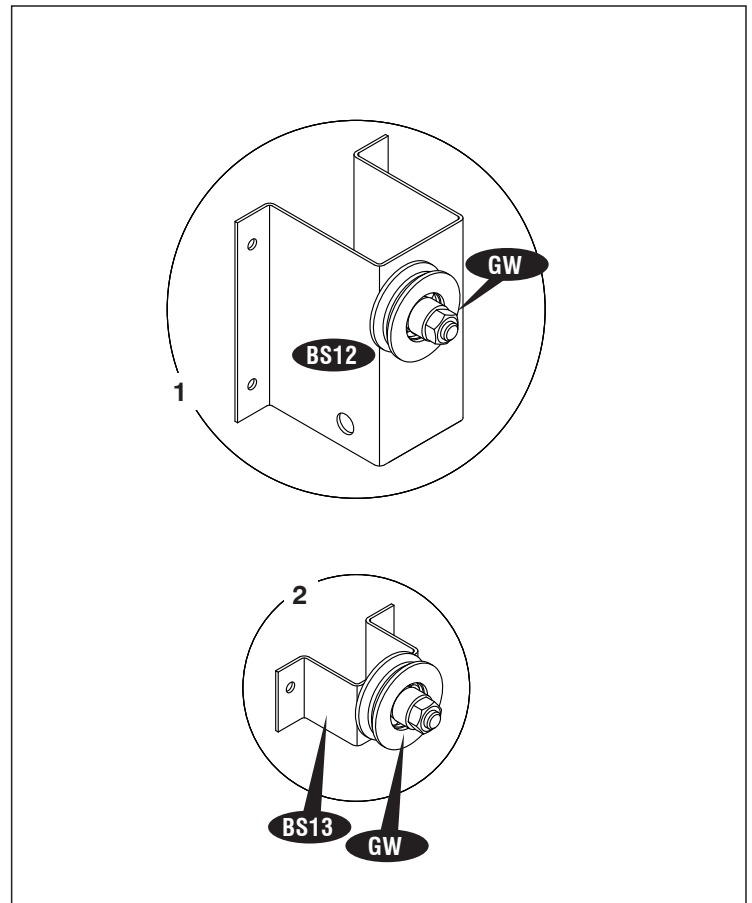


Fig.2



Step - 17

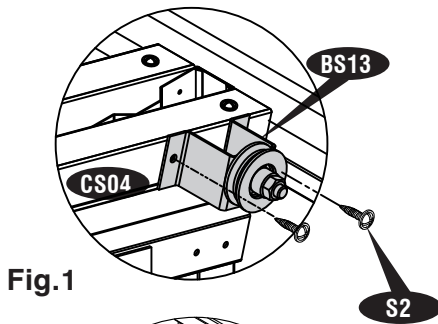


Fig.1

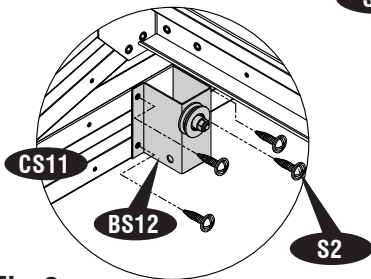


Fig.2

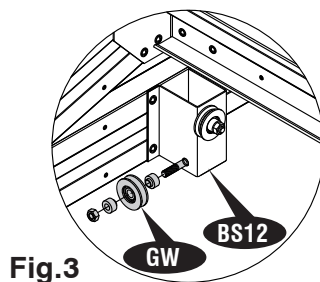
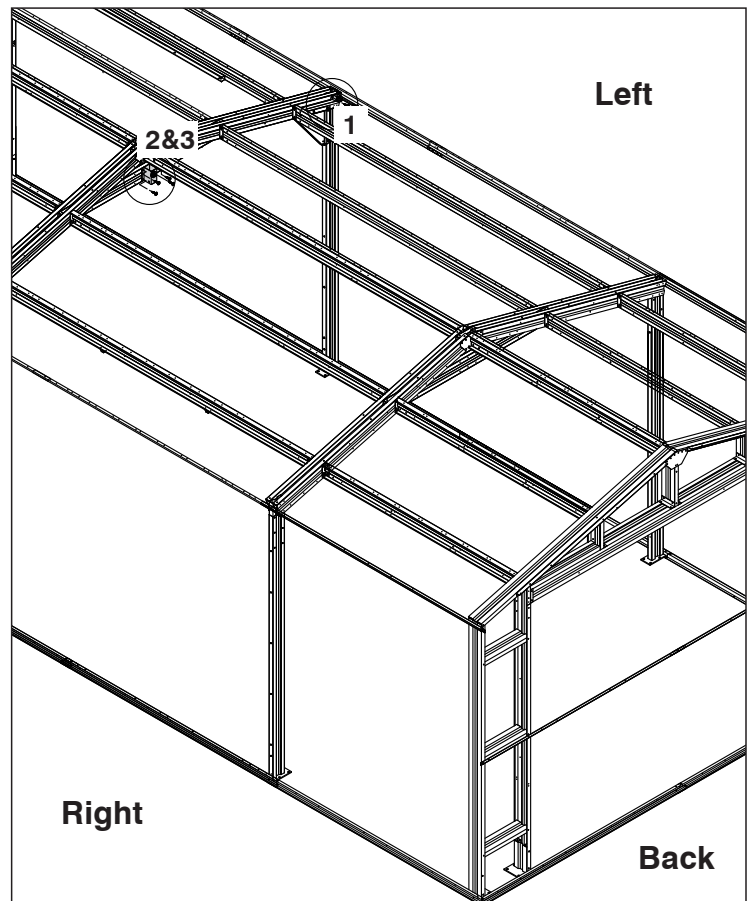


Fig.3



IMPORTANT: USE HAND GLOVES TO PREVENT INJURY.

E. Wall Panel Installation and Accessories

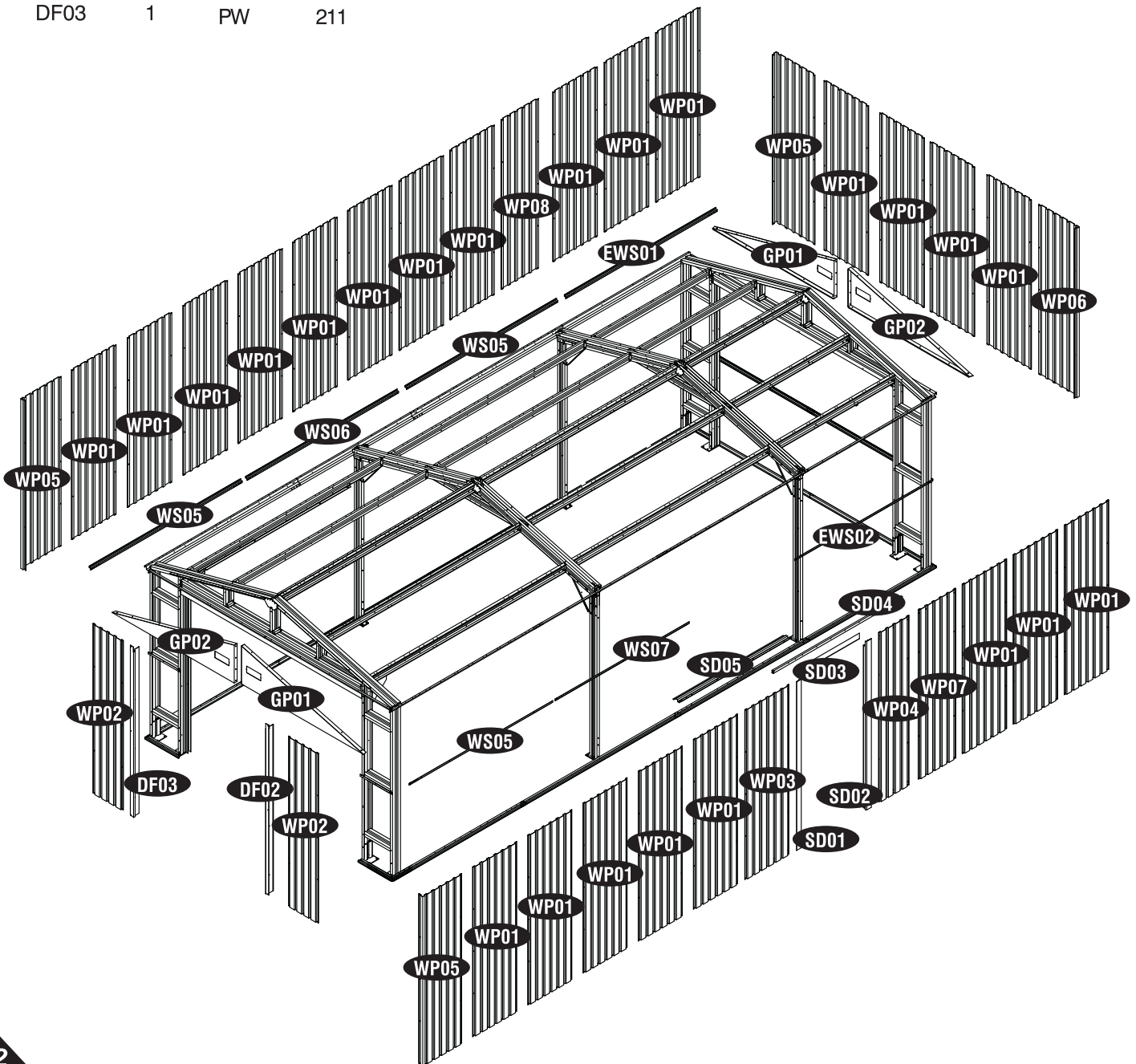
Parts Needed:

| Code | Qty | Code | Qty |
|------|-----|------|-----|
| WP01 | 17 | SD01 | 1 |
| WP02 | 2 | SD02 | 1 |
| WP03 | 1 | SD03 | 1 |
| WP04 | 1 | SD04 | 1 |
| WP05 | 3 | SD05 | 1 |
| WP06 | 1 | WS05 | 3 |
| WP07 | 1 | WS06 | 1 |
| WP08 | 1 | WS07 | 1 |
| GP01 | 2 | S1 | 208 |
| GP02 | 2 | S2 | 4 |
| DF02 | 1 | S3 | 60 |
| DF03 | 1 | PW | 211 |

Parts Needed for each extension:

| Code | Qty |
|-------|-----|
| WP01 | 6 |
| EWS01 | 1 |
| EWS02 | 1 |
| S1 | 31 |
| S2 | 2 |
| S3 | 12 |
| PW | 42 |

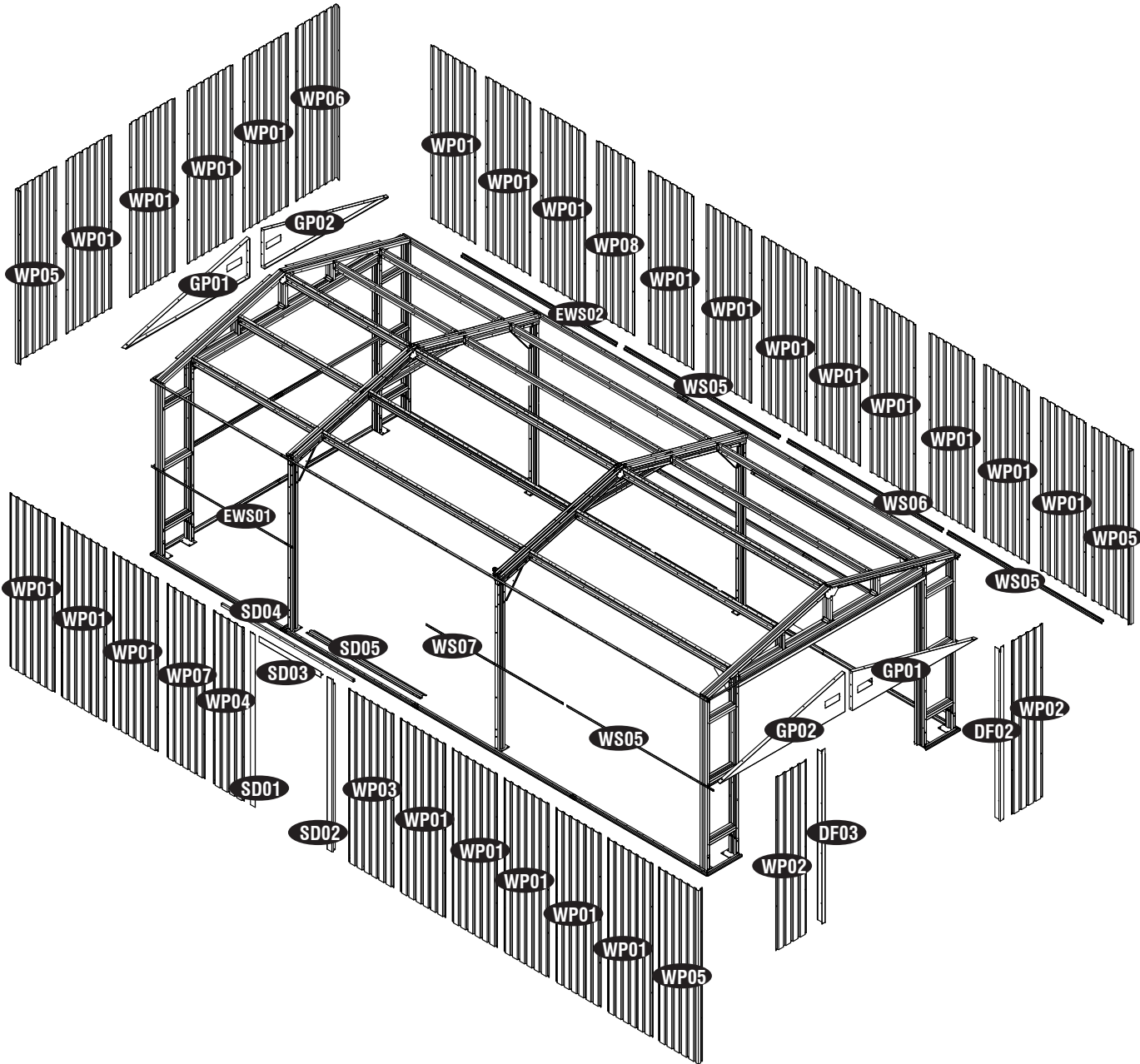
Exploded View Side Door Right Side



Exploded View Side Door Left Side

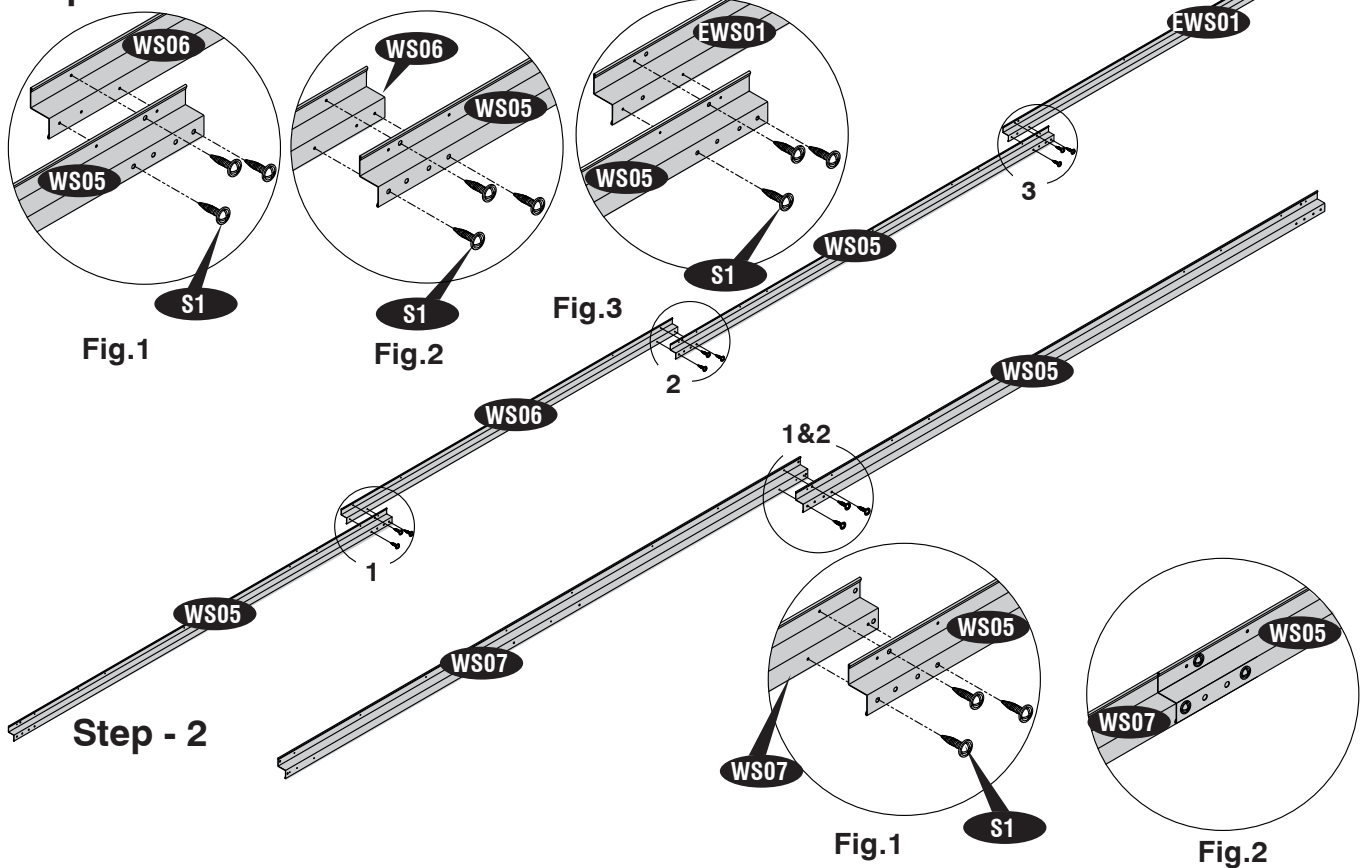
IMPORTANT

Follow the Diagram to assemble the side on Left Side.

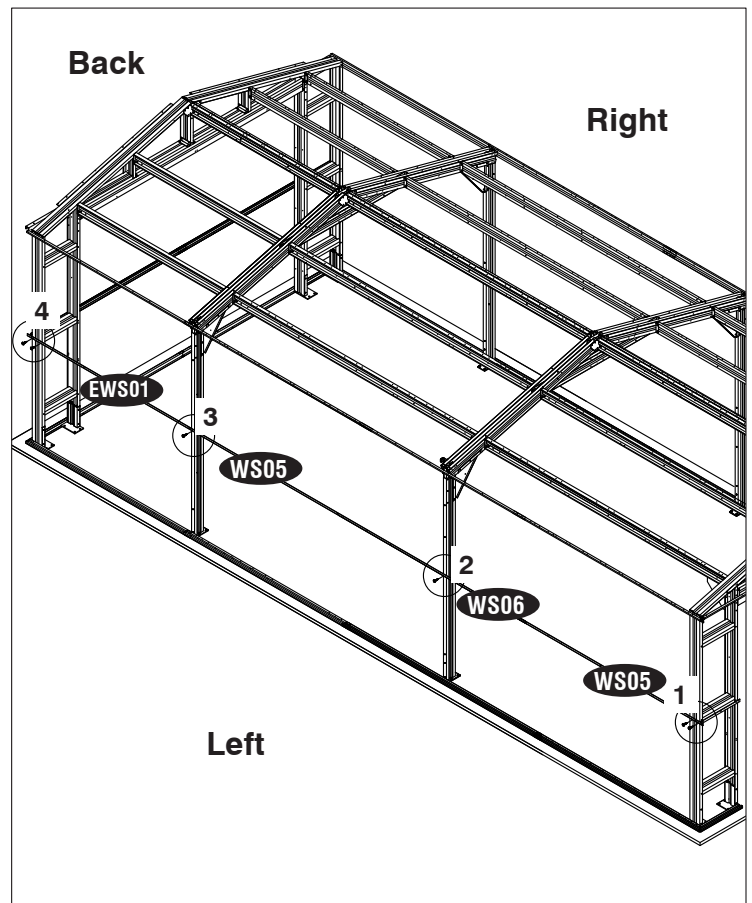
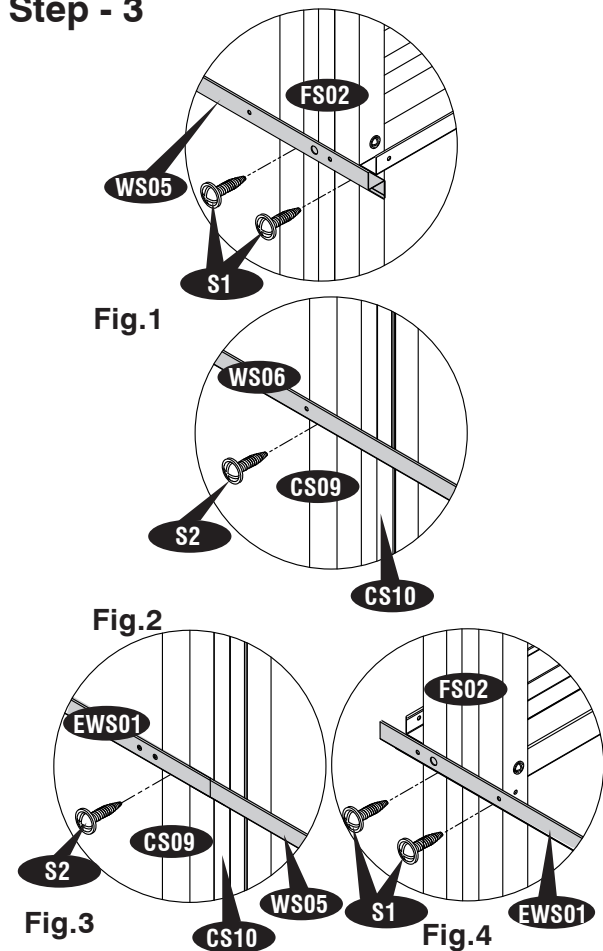


Assembly Steps for Side Door on Right Side

Step - 1



Step - 3



IMPORTANT: USE HAND GLOVES TO PREVENT INJURY.

Step - 4

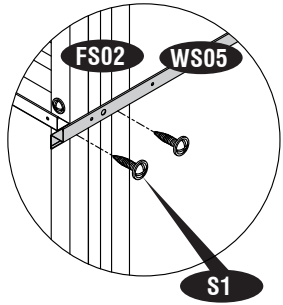


Fig.1

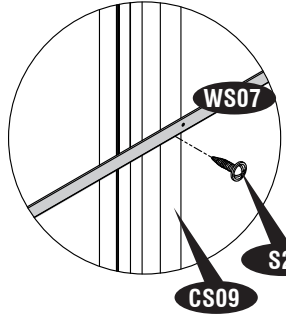


Fig.2

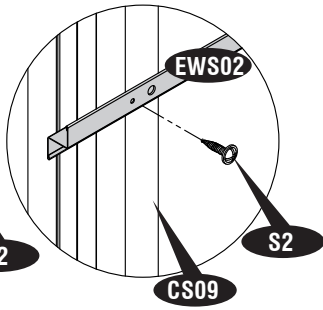
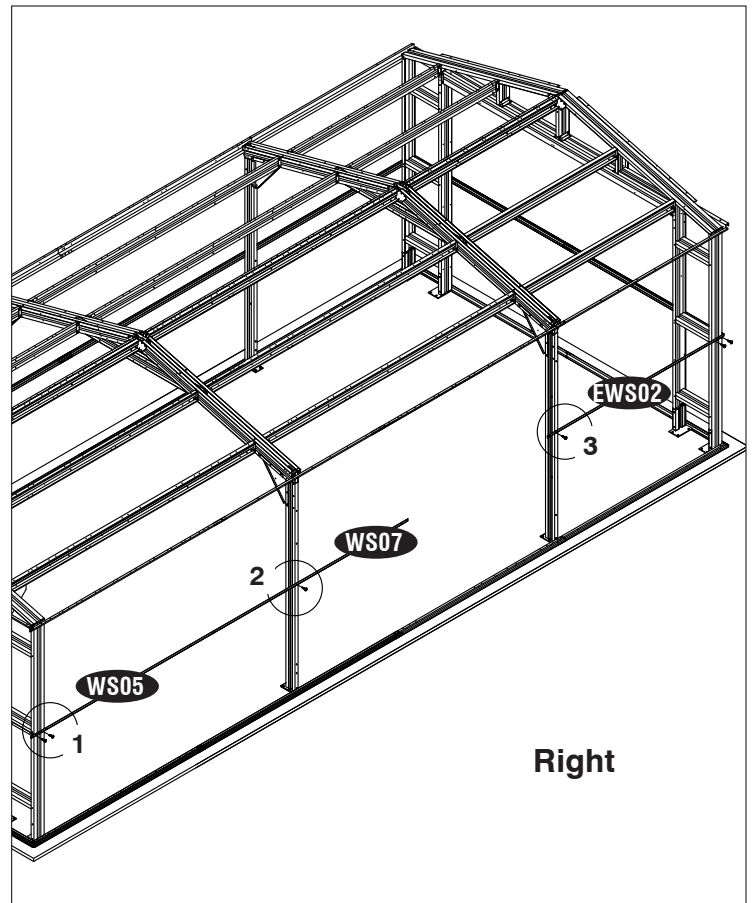


Fig.3



Right

Step - 5

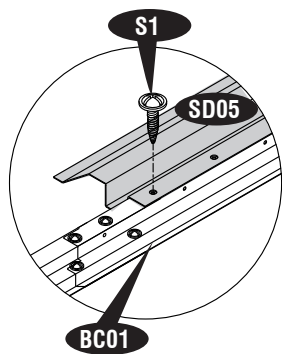


Fig.1

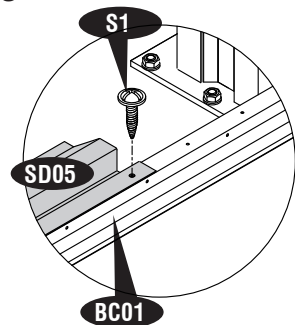
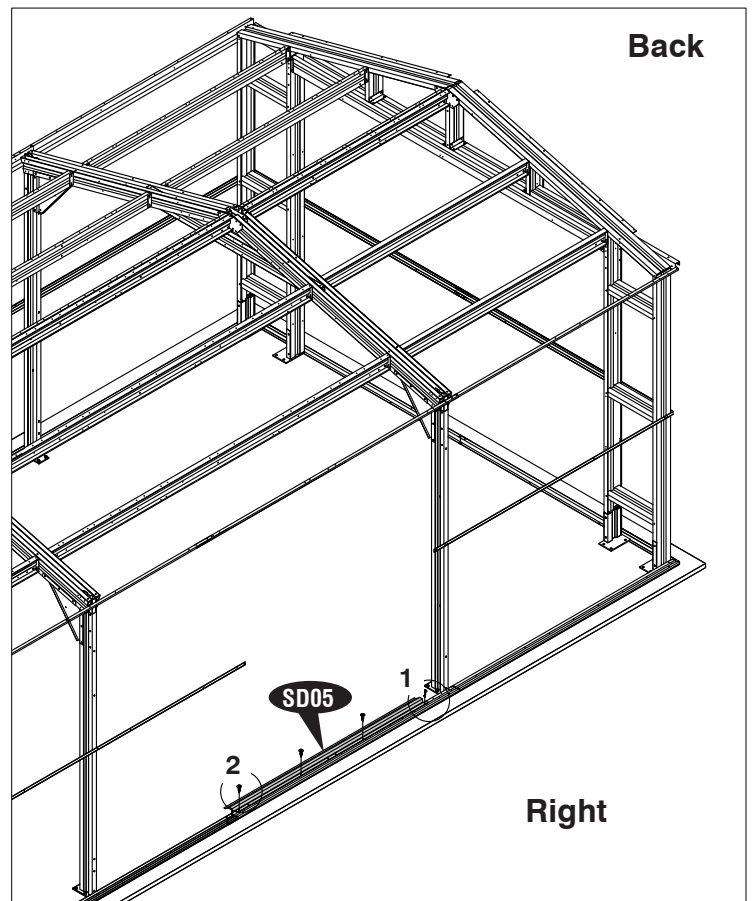


Fig.2



Back

Right

IMPORTANT: USE HAND GLOVES TO PREVENT INJURY.

Step - 6

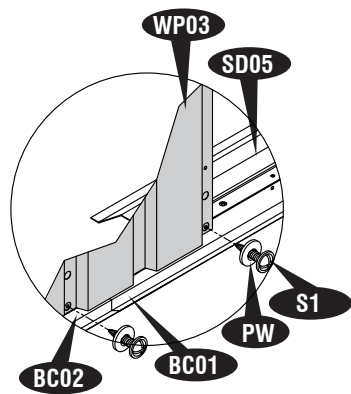


Fig.1

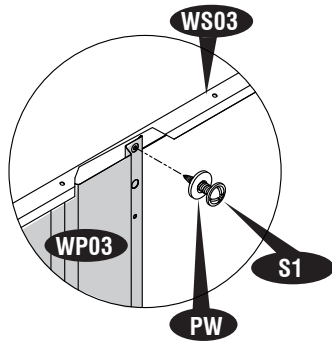
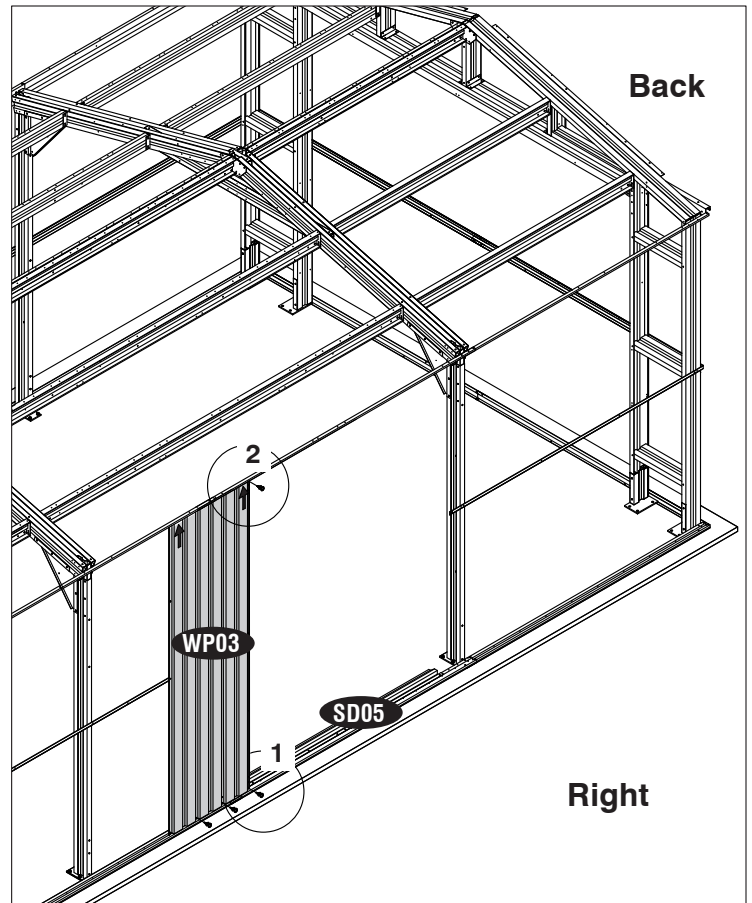


Fig.2



Step - 7

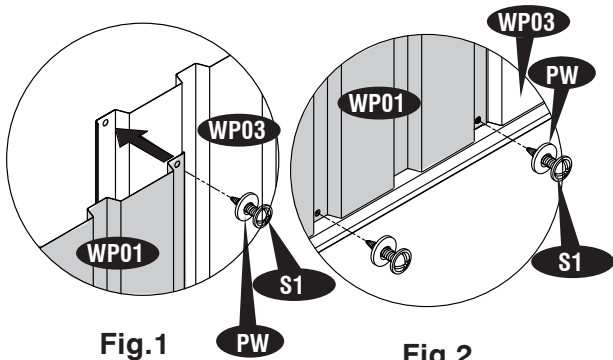


Fig.1

Fig.2

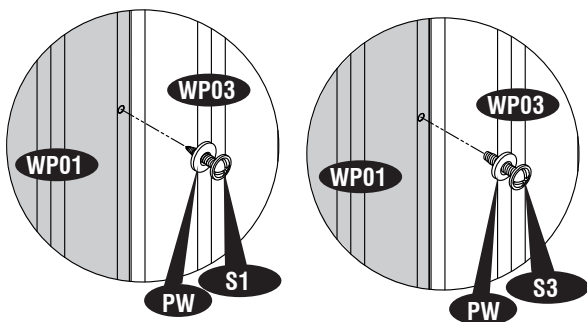
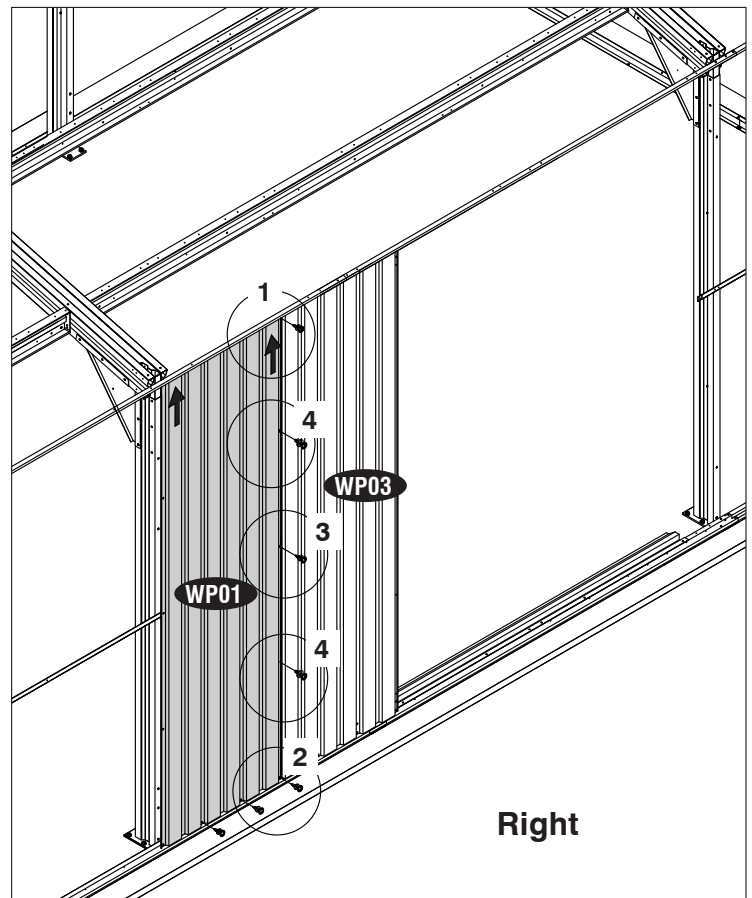


Fig.3

Fig.4



Step - 8

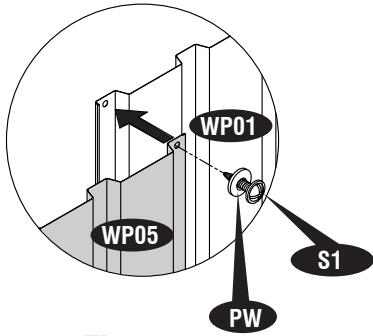


Fig.1

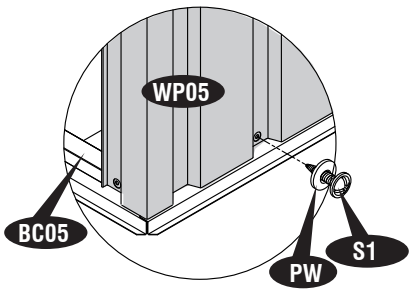
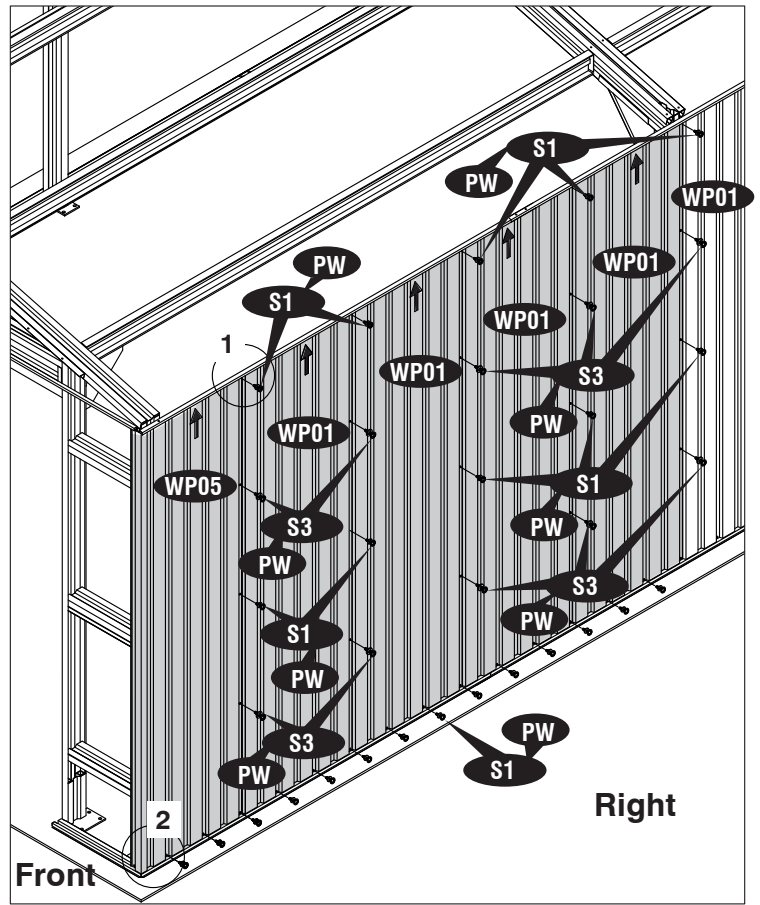


Fig.2



Step - 9

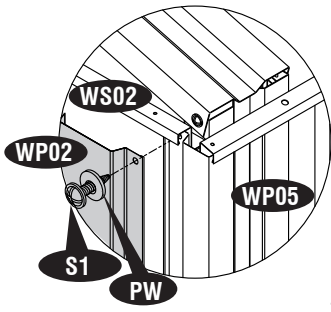


Fig.1

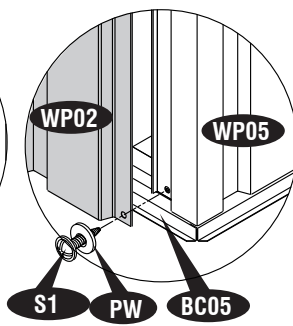


Fig.2

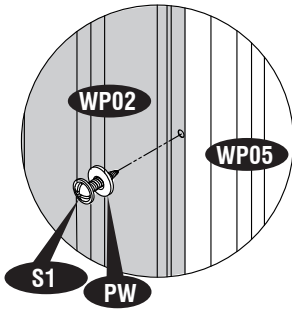


Fig.3

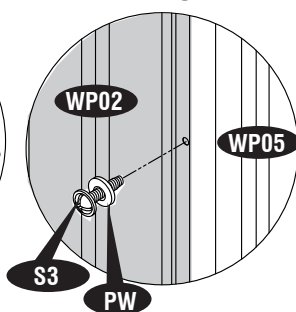
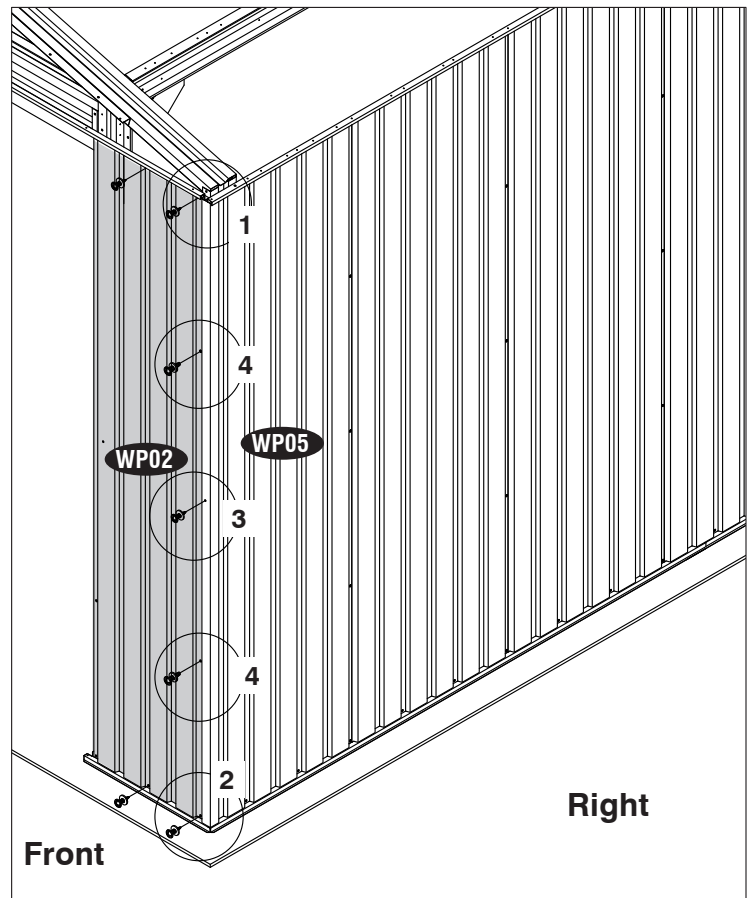


Fig.4



Step - 10

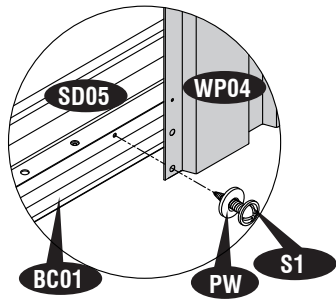


Fig.1

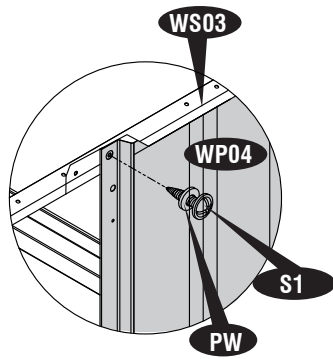
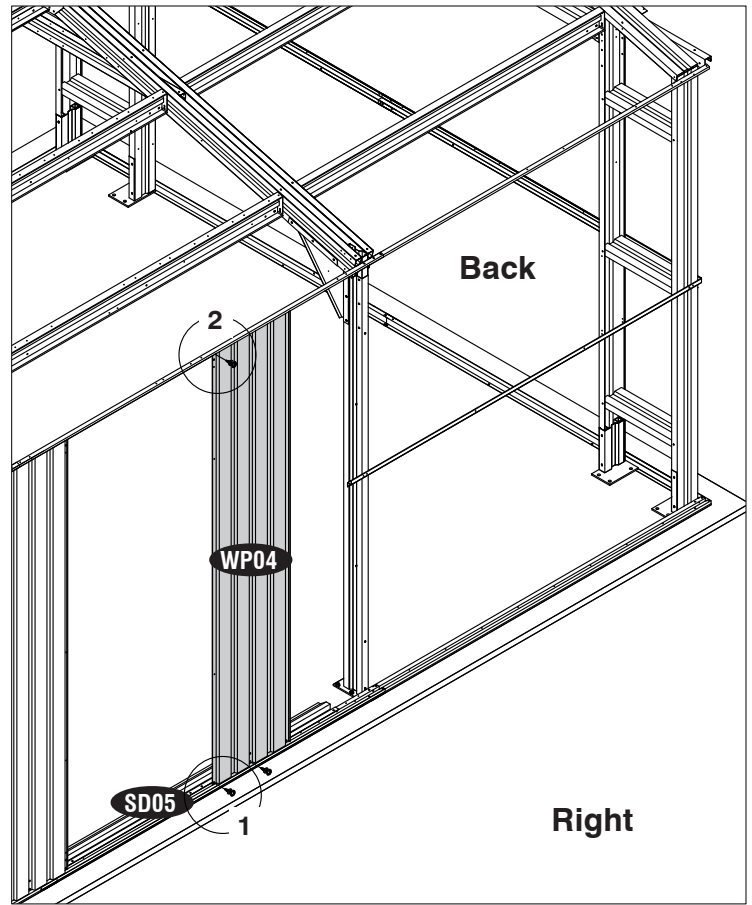


Fig.2



Step - 11

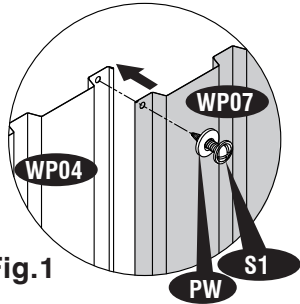


Fig.1

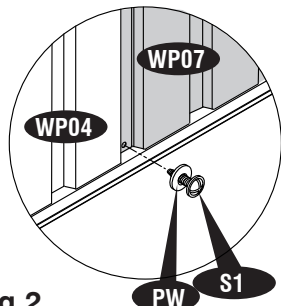


Fig.2

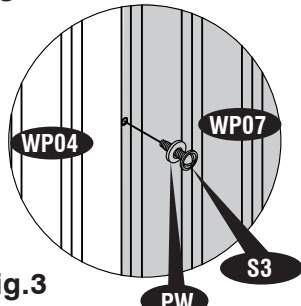
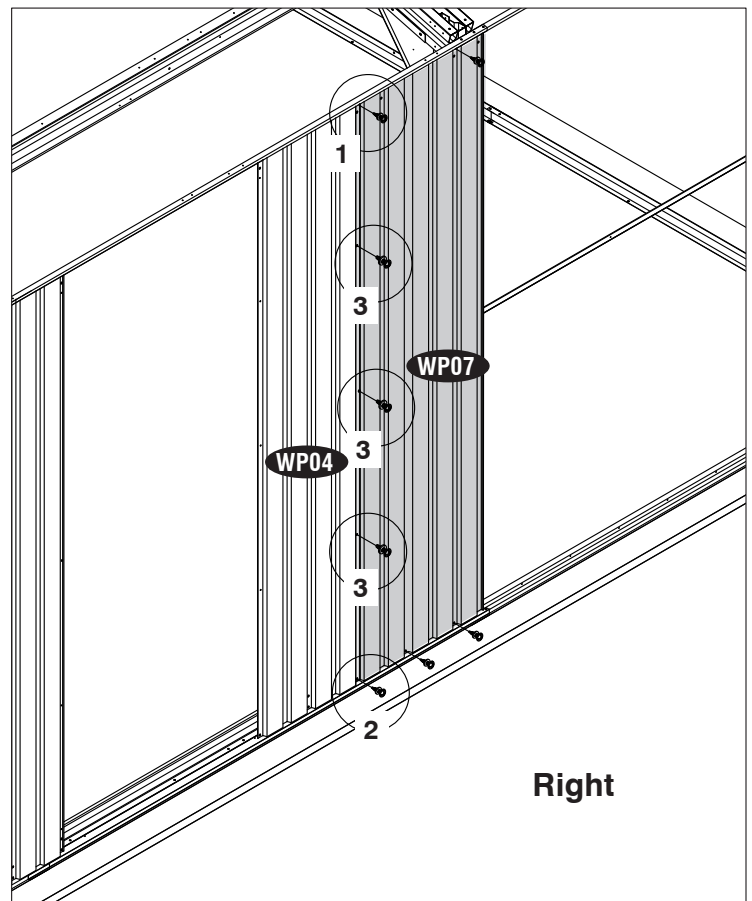


Fig.3



IMPORTANT: USE HAND GLOVES TO PREVENT INJURY.

Step - 12

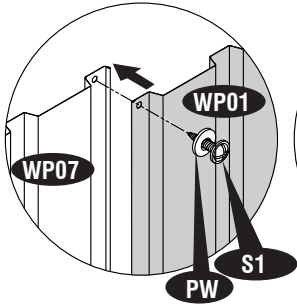


Fig.1

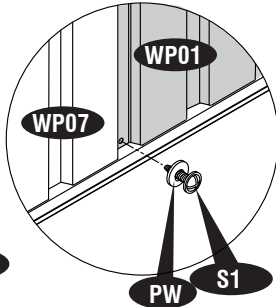


Fig.2

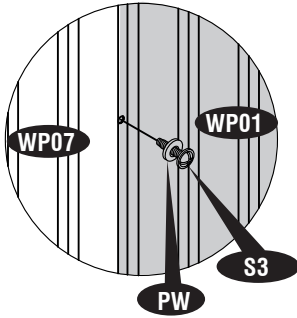


Fig.3

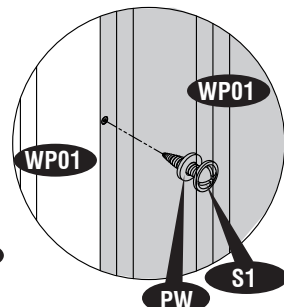
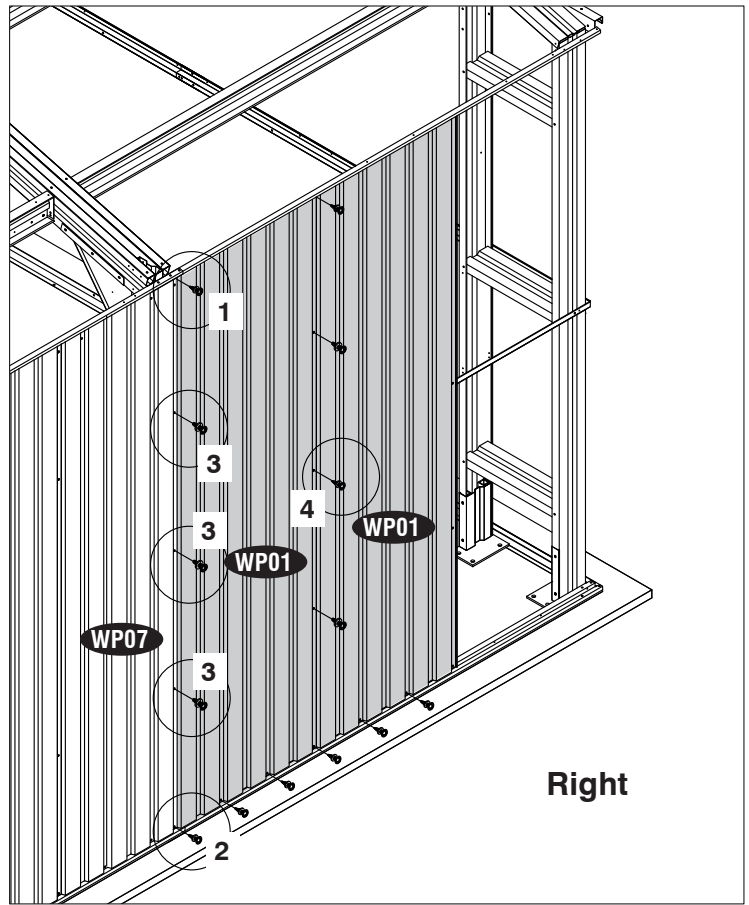


Fig.4



Step - 13

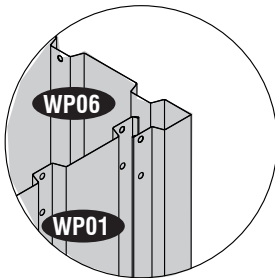


Fig.1

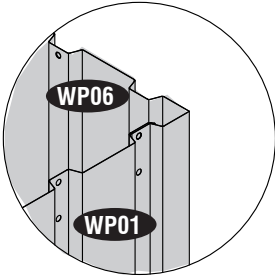
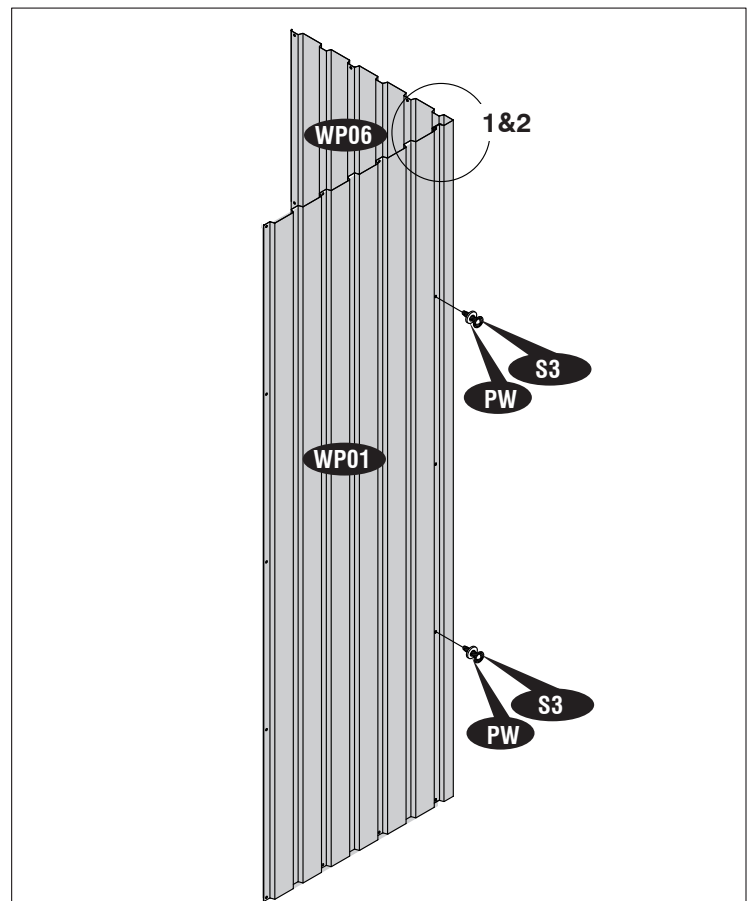


Fig.2



Step - 14

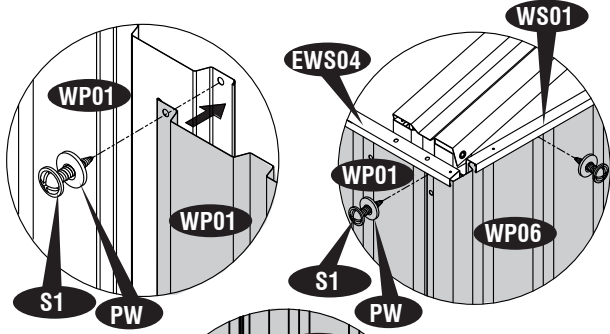


Fig.1

Fig.2

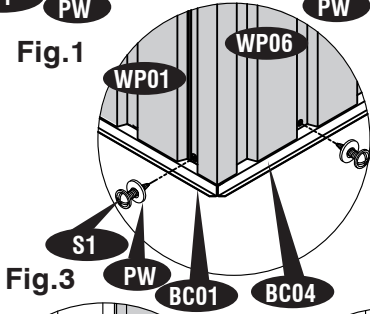


Fig.3

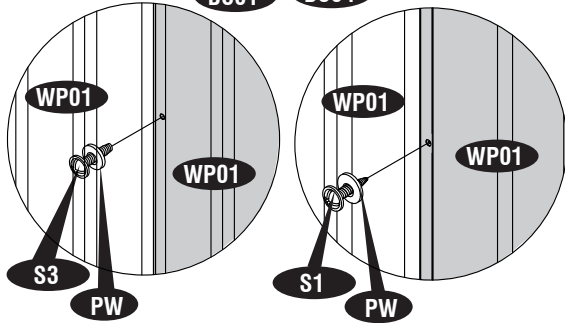
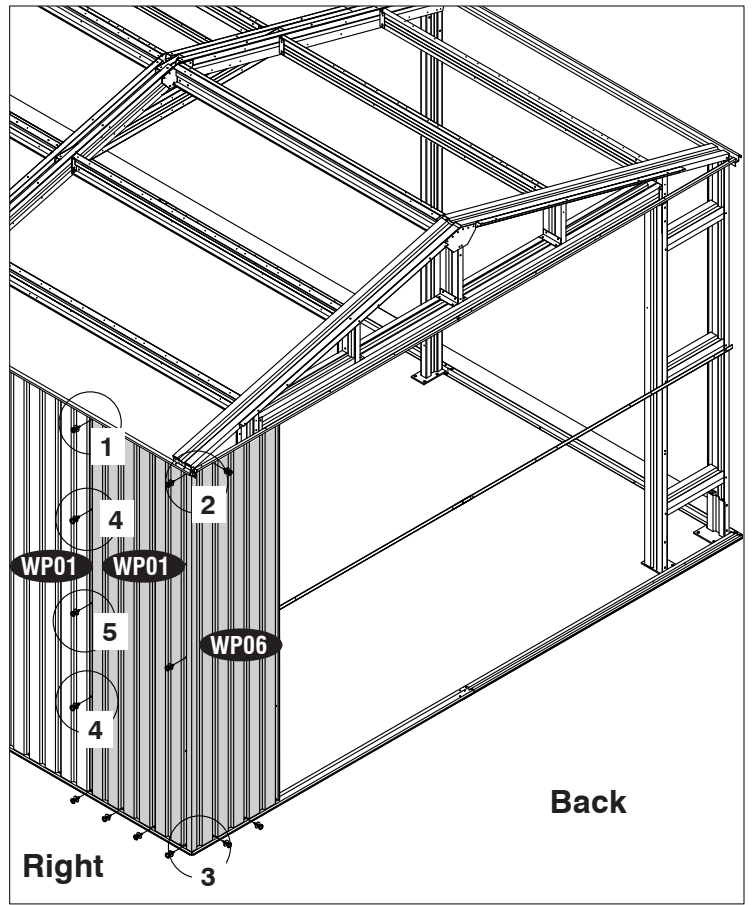


Fig.4

Fig.5



Step - 15

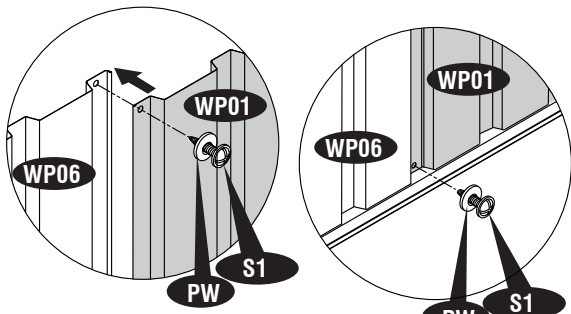


Fig.1

Fig.2

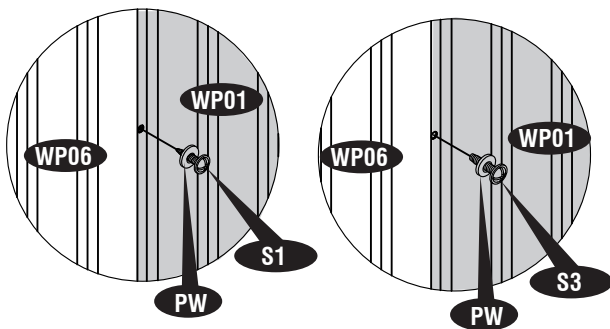
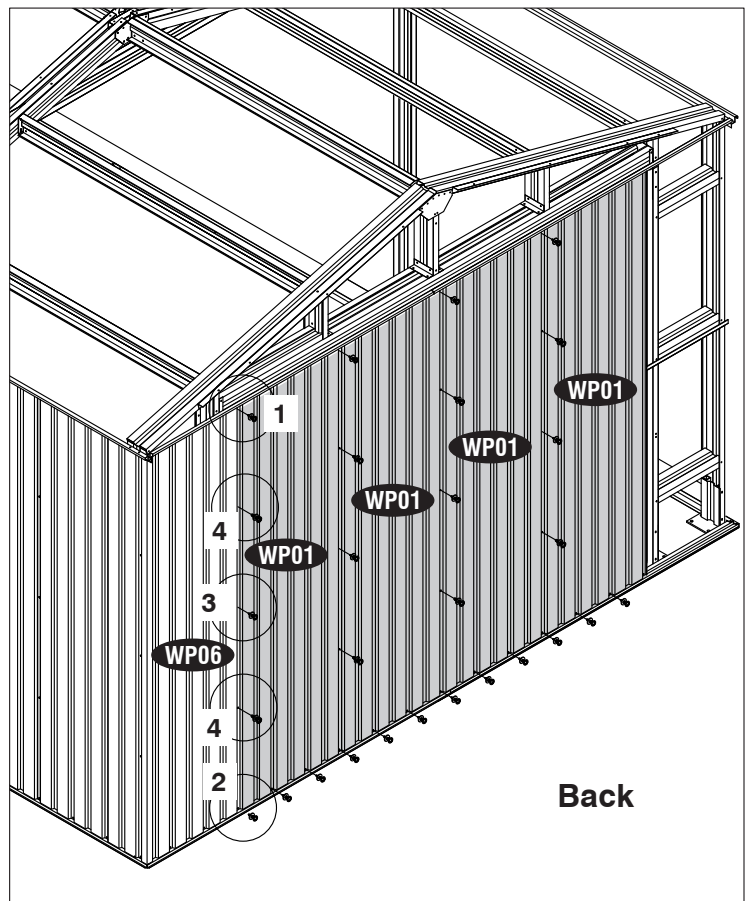


Fig.3

Fig.4



IMPORTANT: USE HAND GLOVES TO PREVENT INJURY.

Step - 16

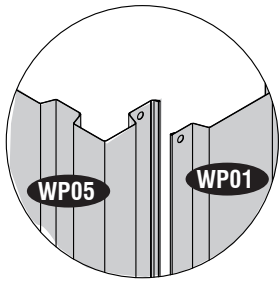


Fig.1

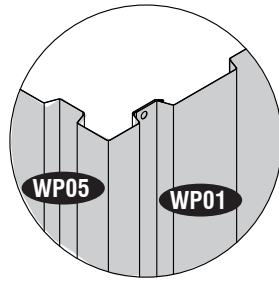
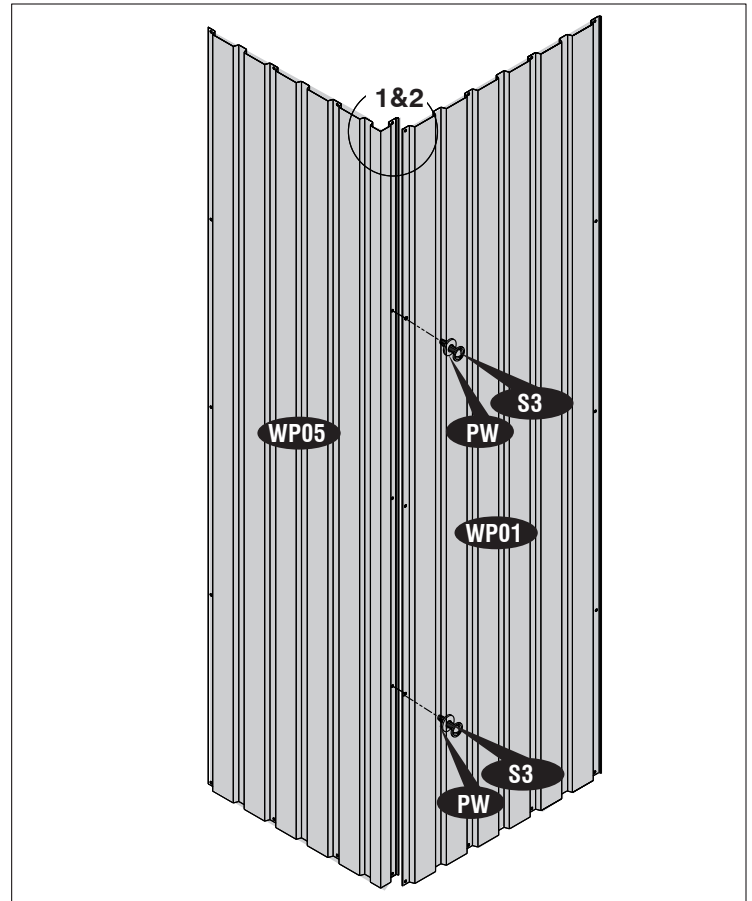


Fig.2



Step - 17

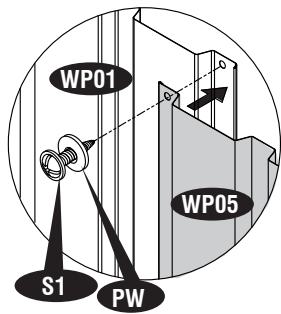


Fig.1

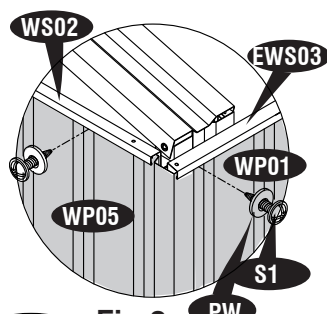


Fig.2

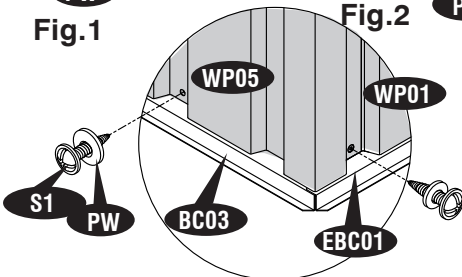


Fig.3

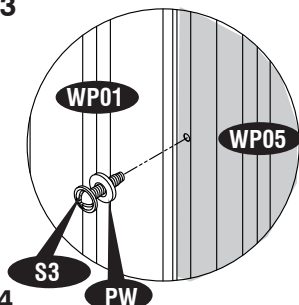
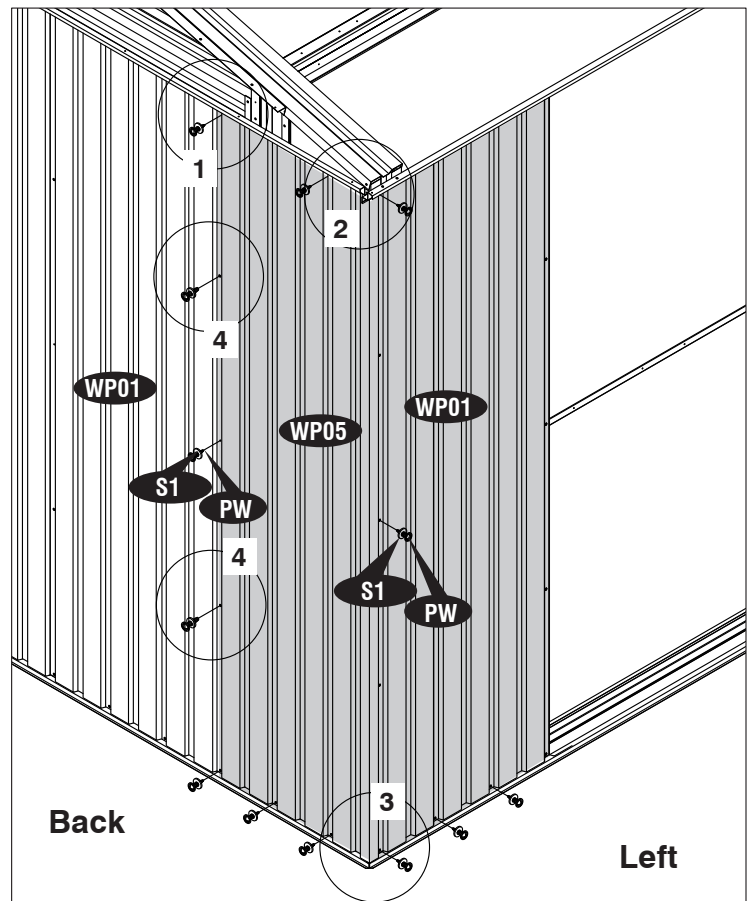


Fig.4



Back

Left

IMPORTANT: USE HAND GLOVES TO PREVENT INJURY.

Step - 18

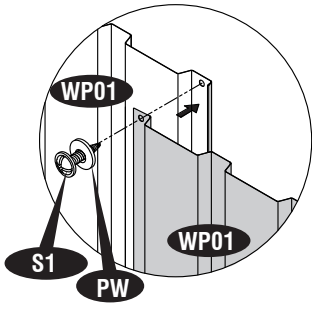


Fig.1

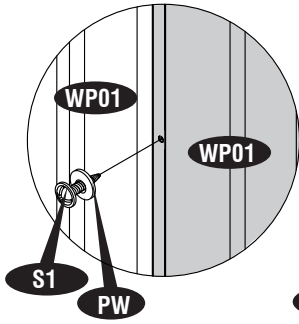


Fig.2

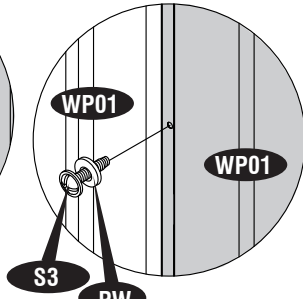
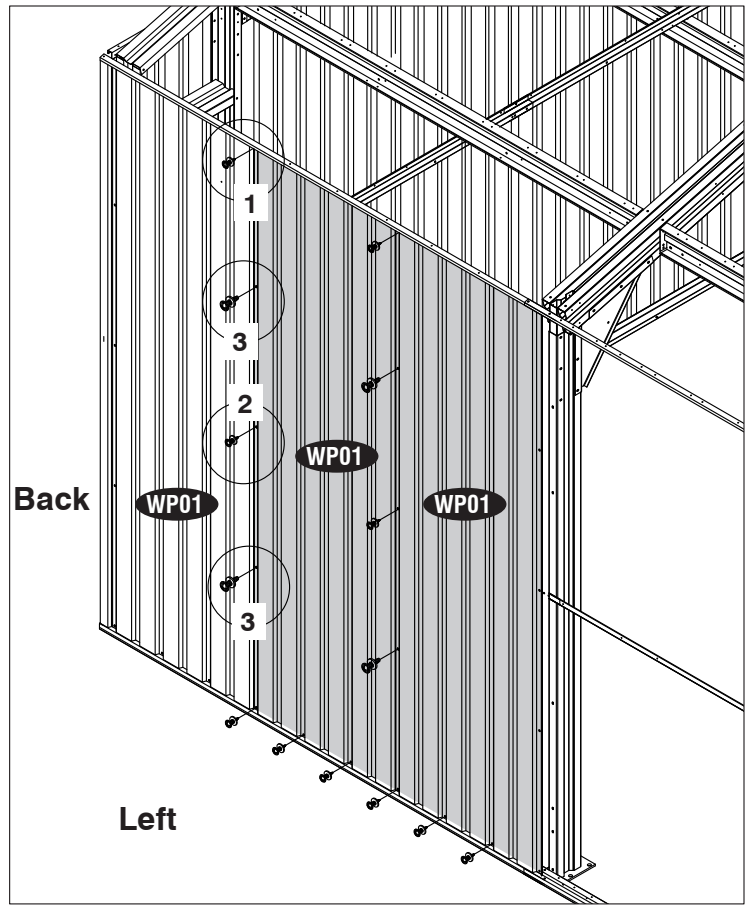
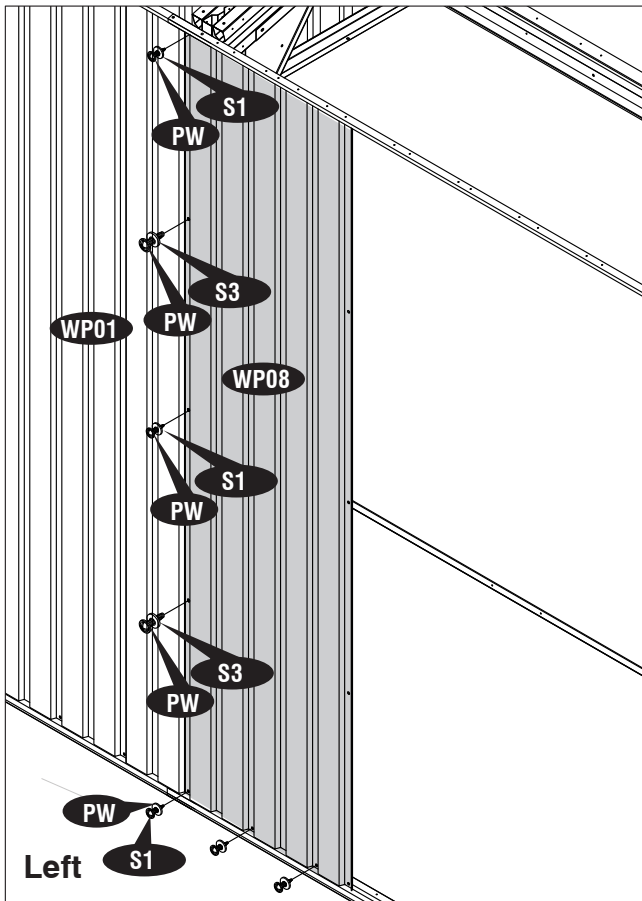


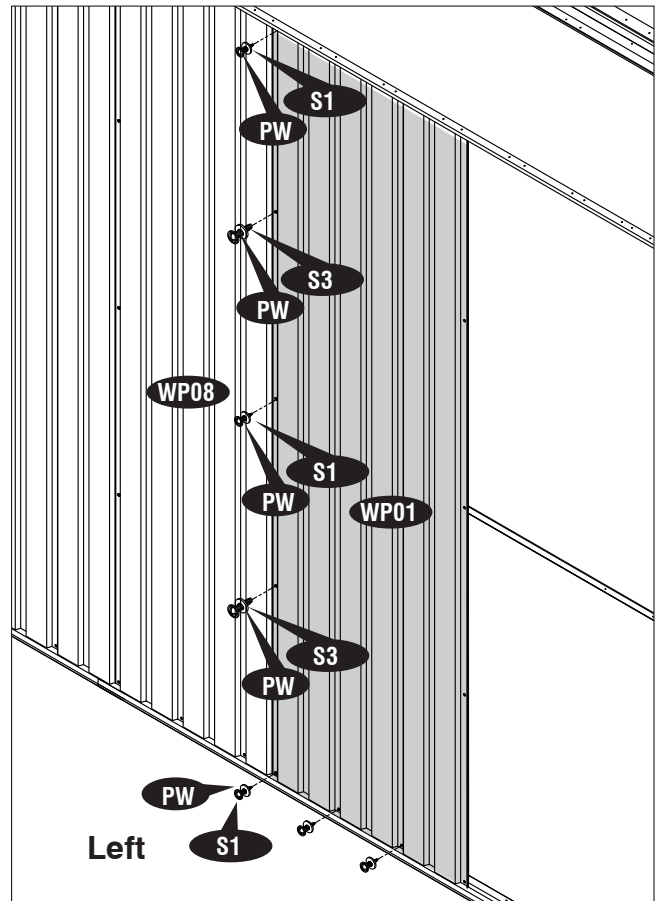
Fig.3



Step - 19

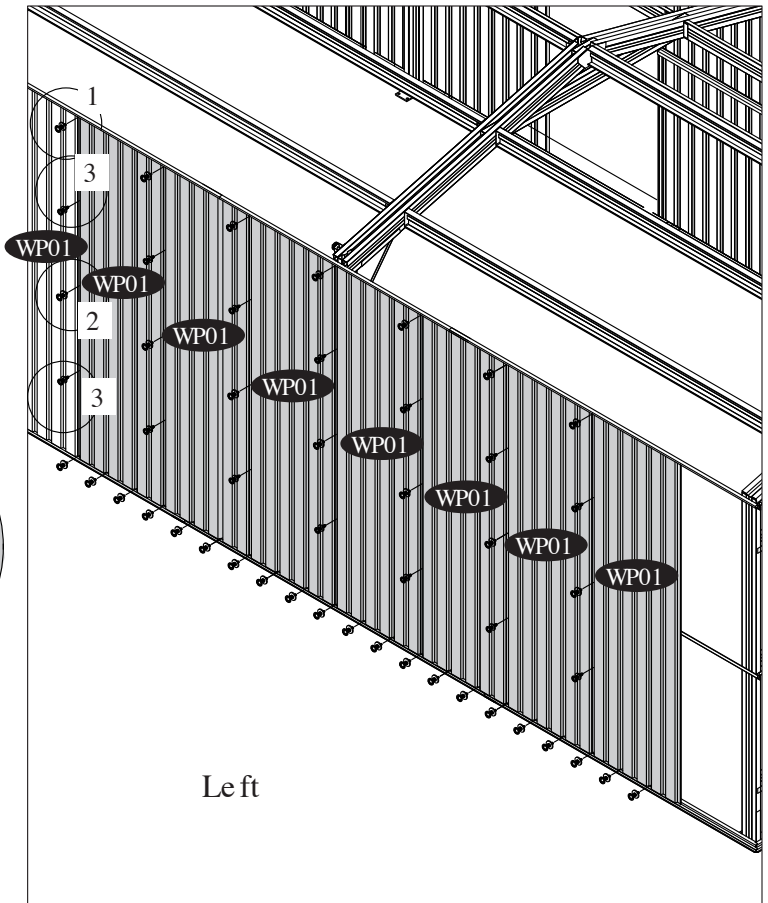
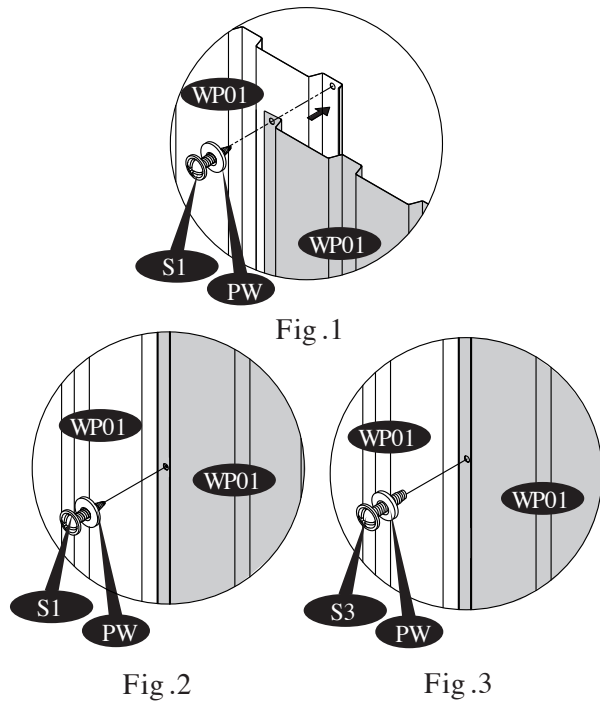


Step - 20

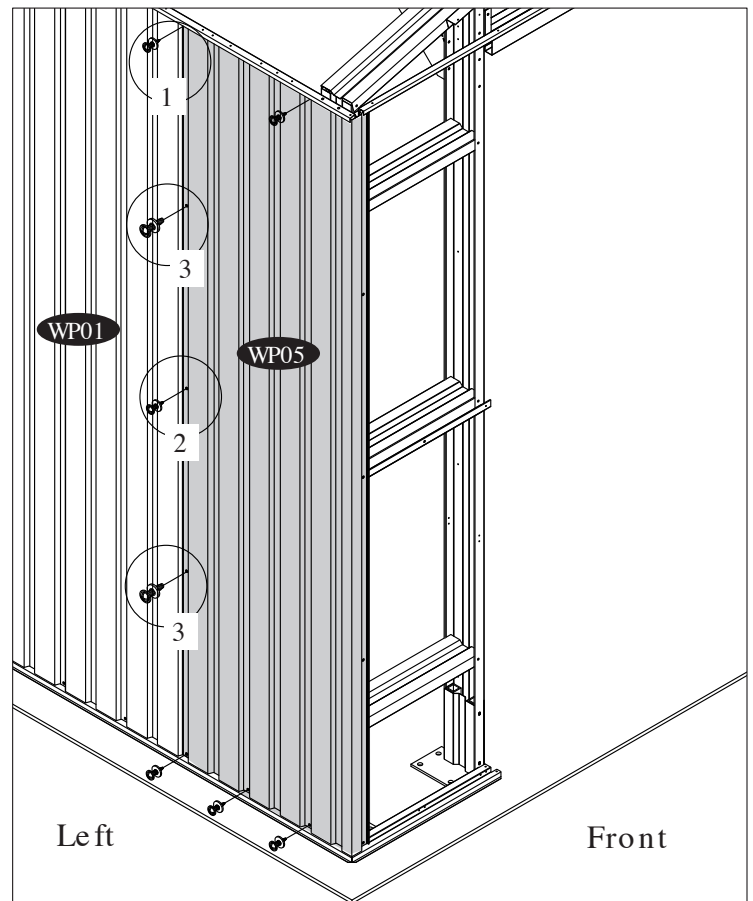
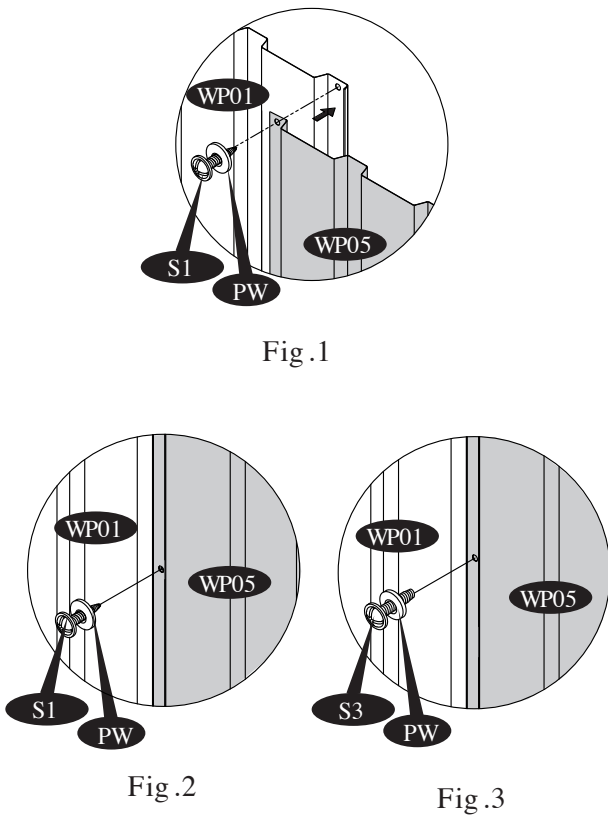


IMPORTANT: USE HAND GLOVES TO PREVENT INJURY.

Step - 21



Step - 22



Step - 23

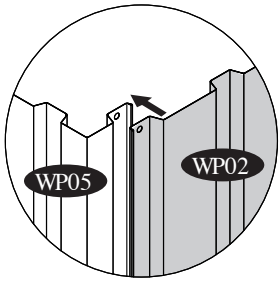


Fig.1

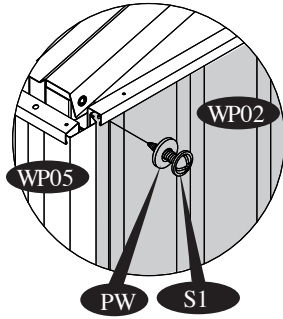


Fig.2

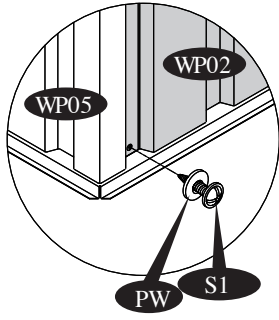


Fig.3

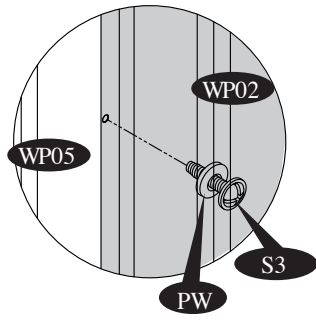
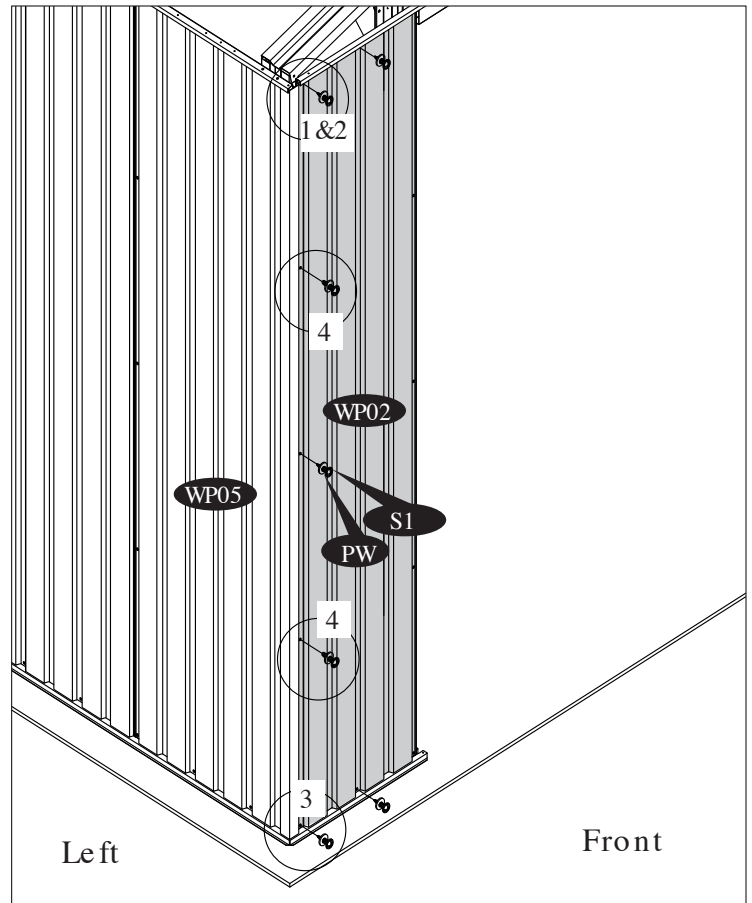


Fig.4



Step - 24

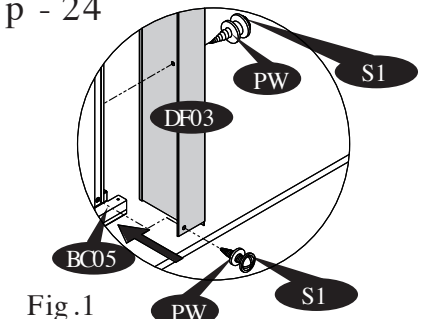


Fig.1

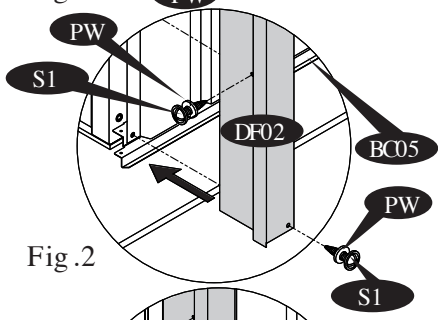


Fig.2

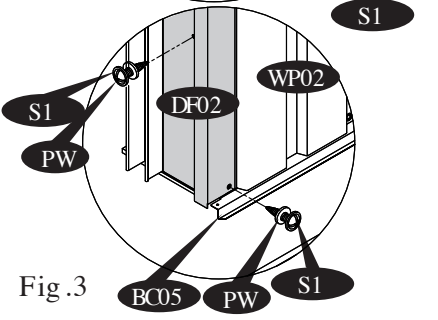
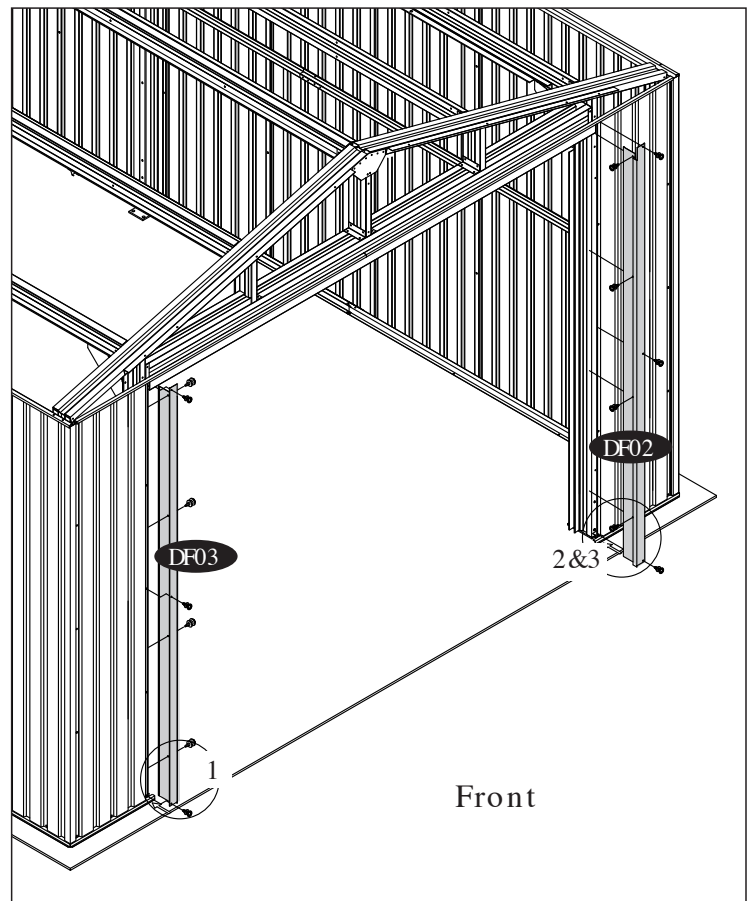


Fig.3



Step - 25

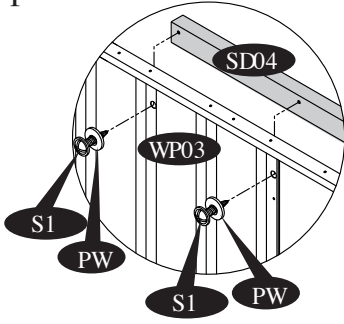


Fig.1

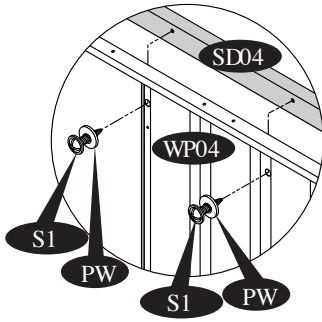
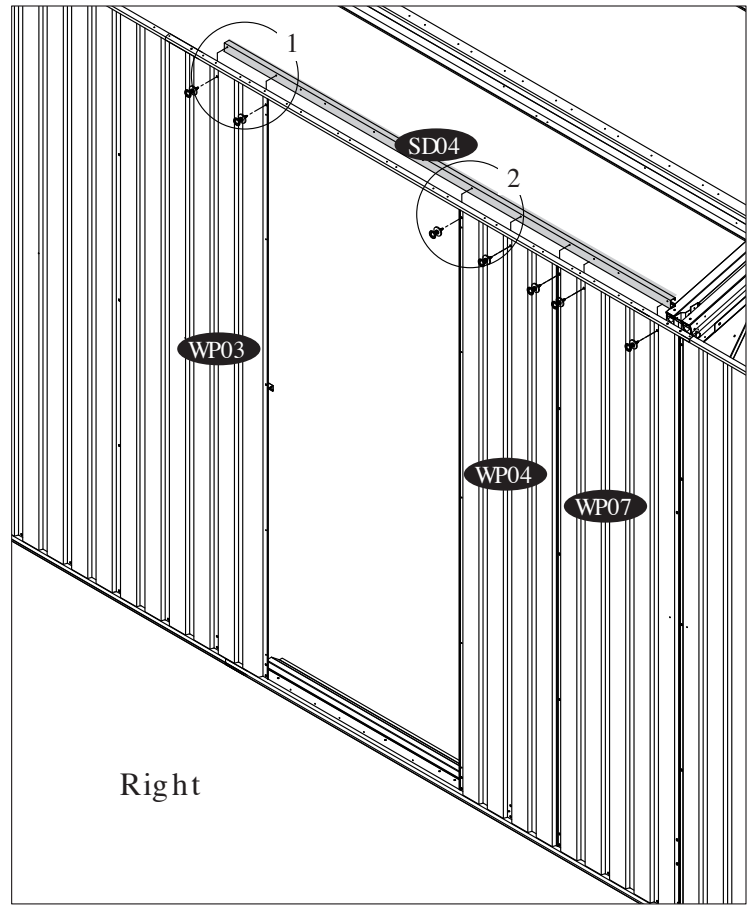


Fig.2



Step - 26

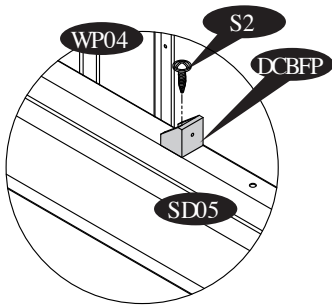


Fig.1

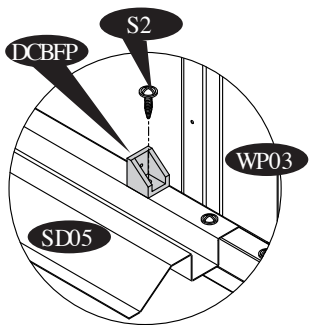
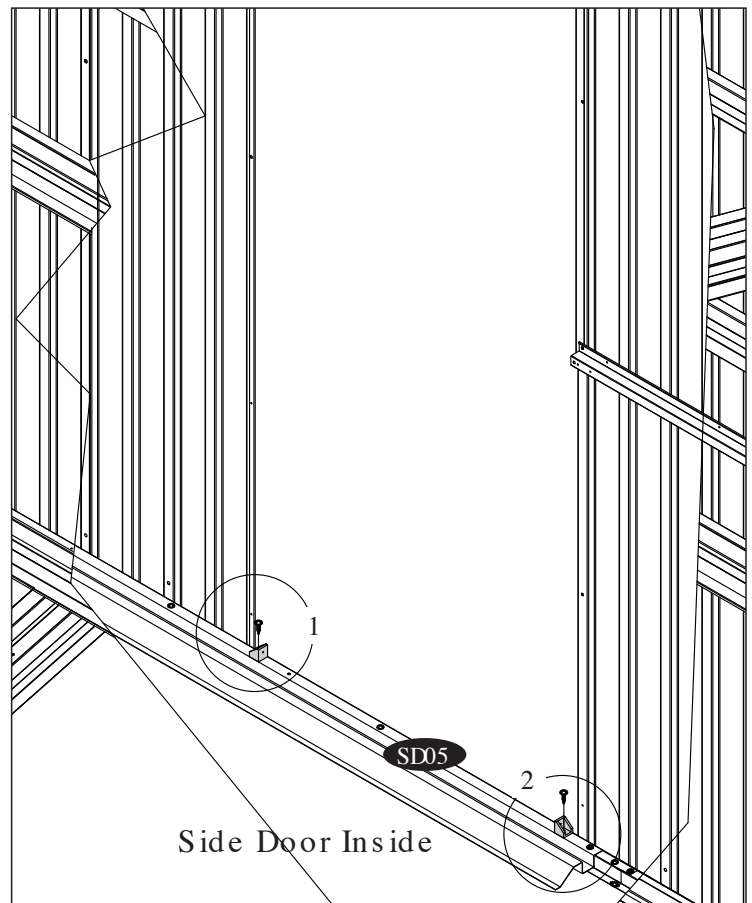


Fig.2



Step - 27

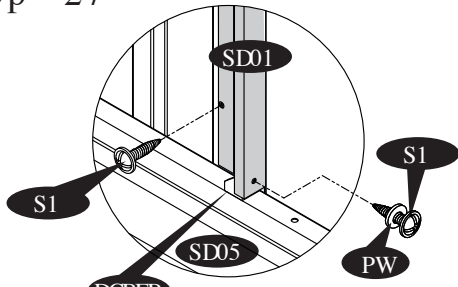


Fig.1

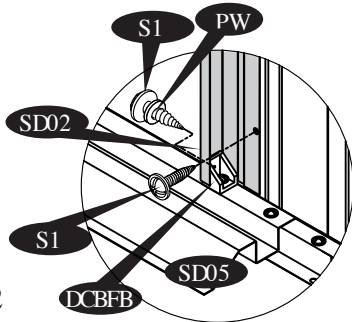


Fig.2

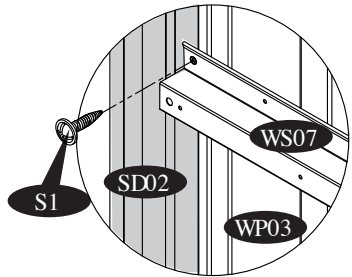
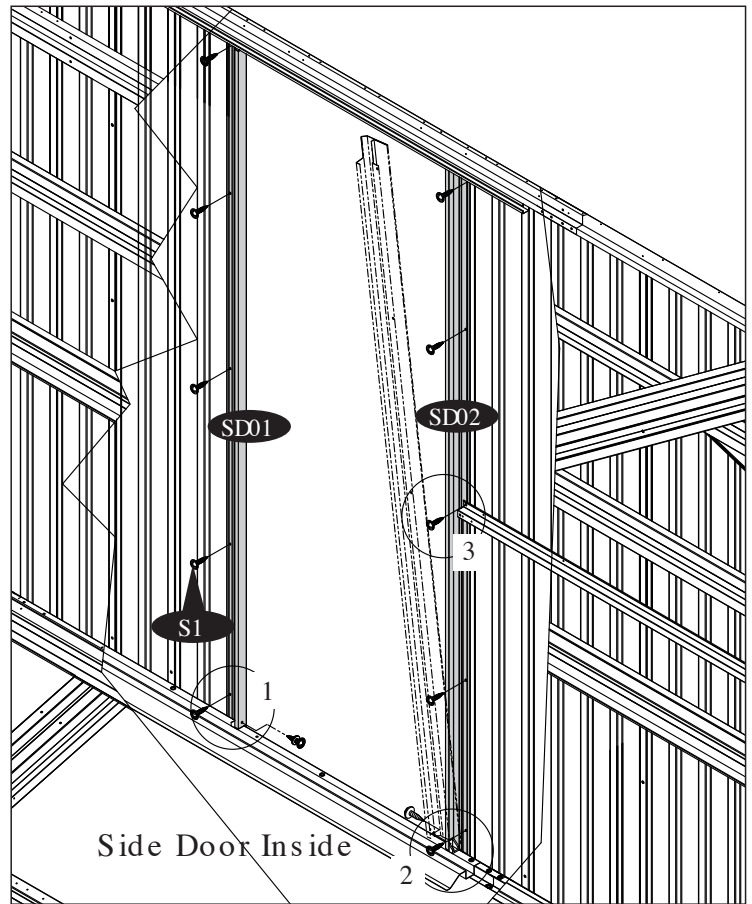


Fig.3



Step - 28

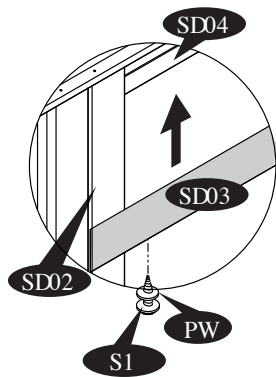


Fig.1

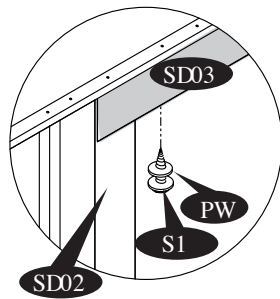
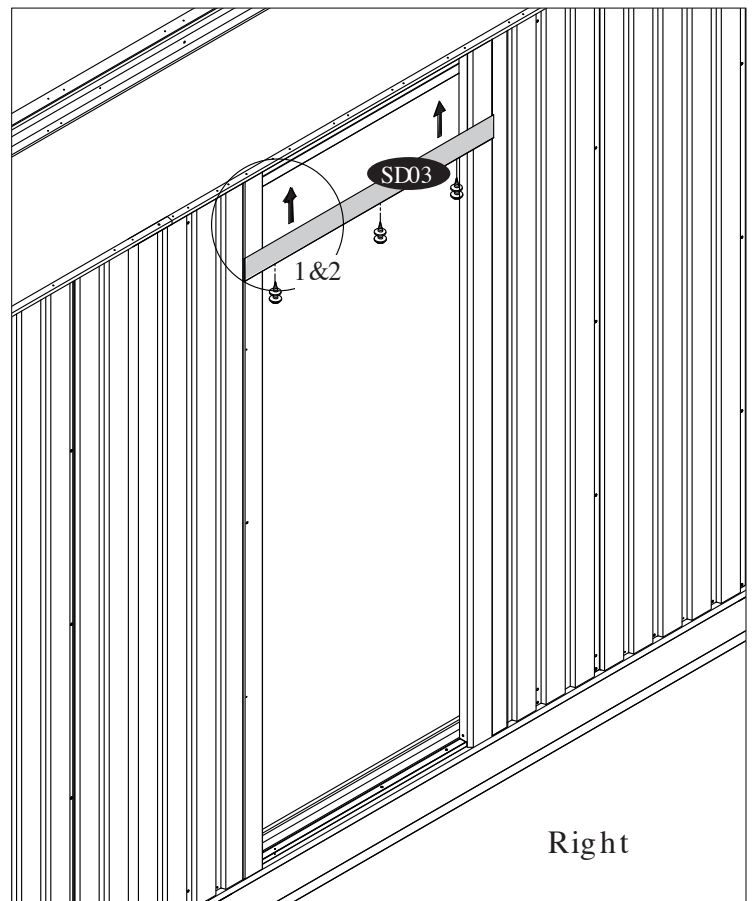


Fig.2



Step - 29

Make 2 Sets

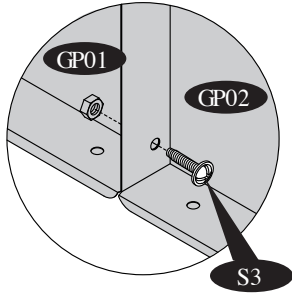
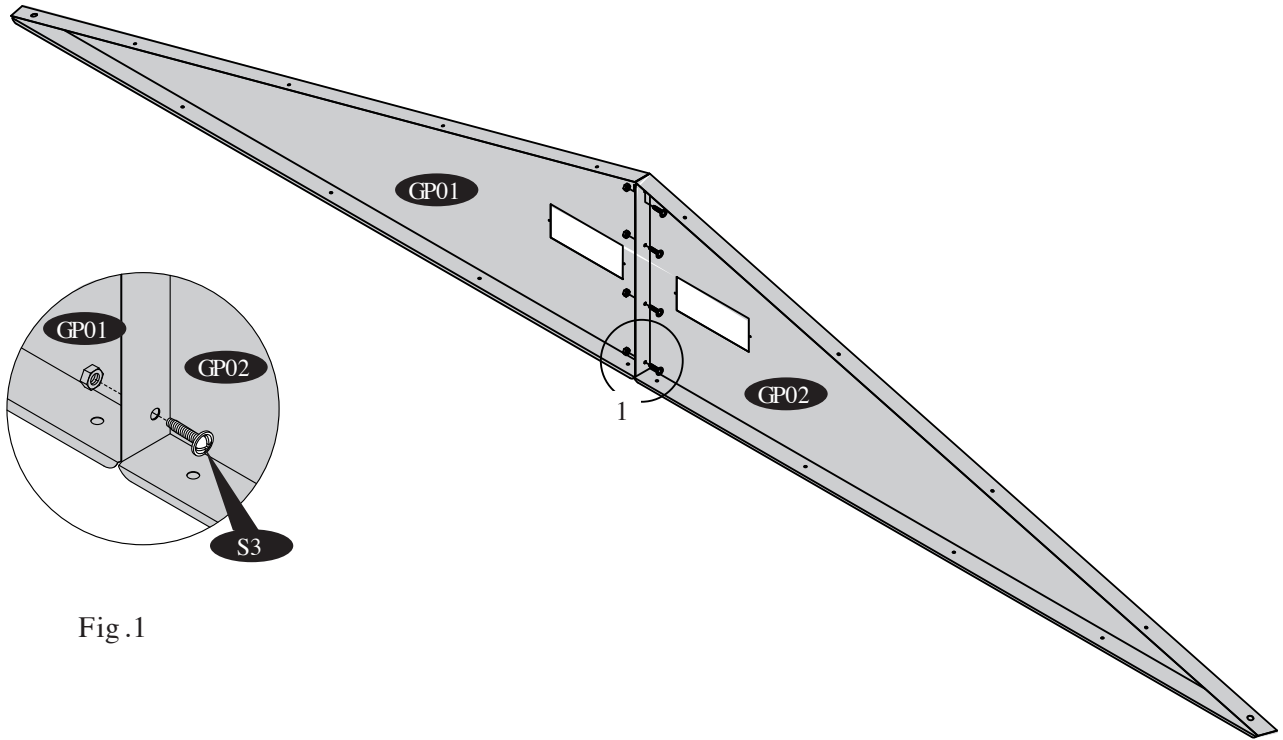


Fig.1

Step - 30

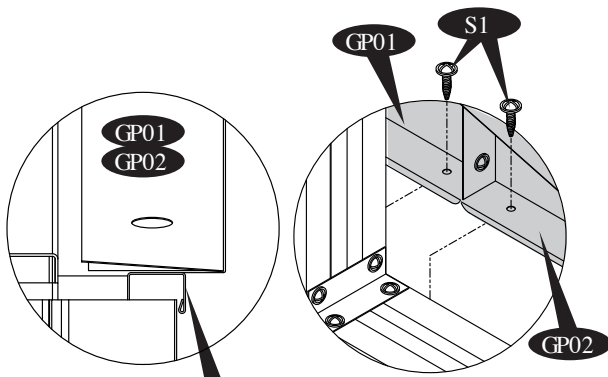


Fig.1

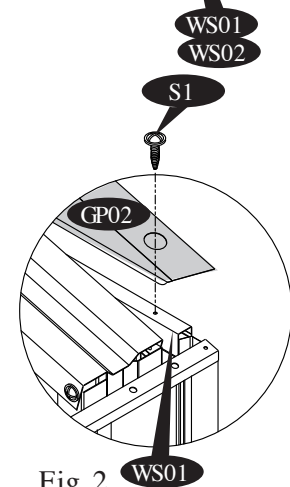


Fig.2

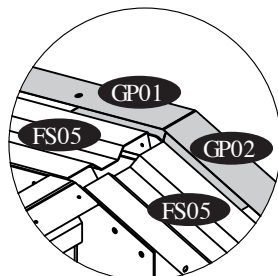
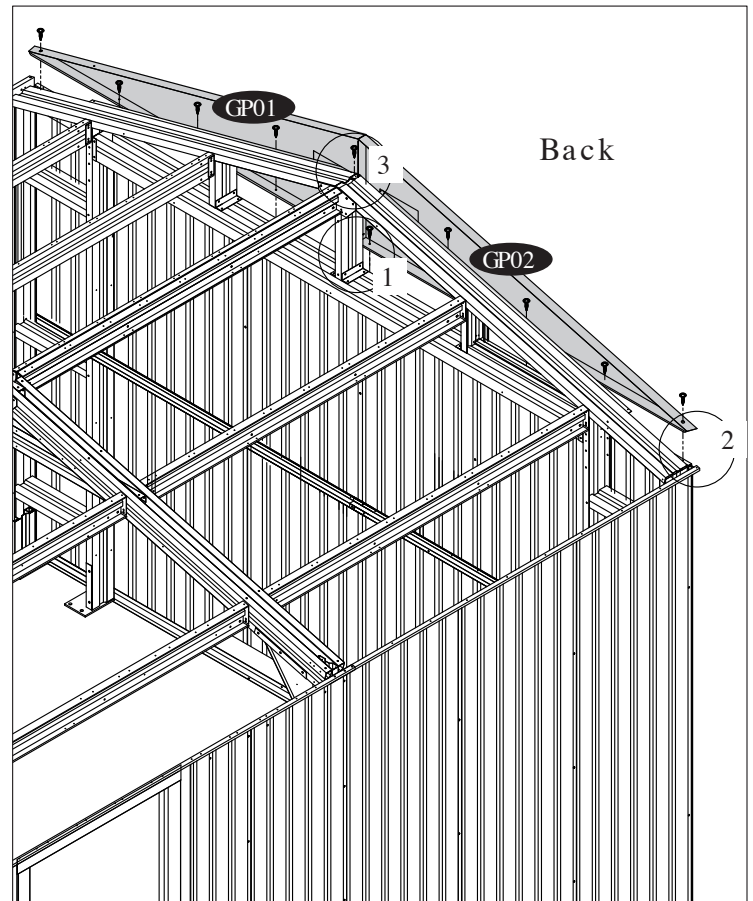
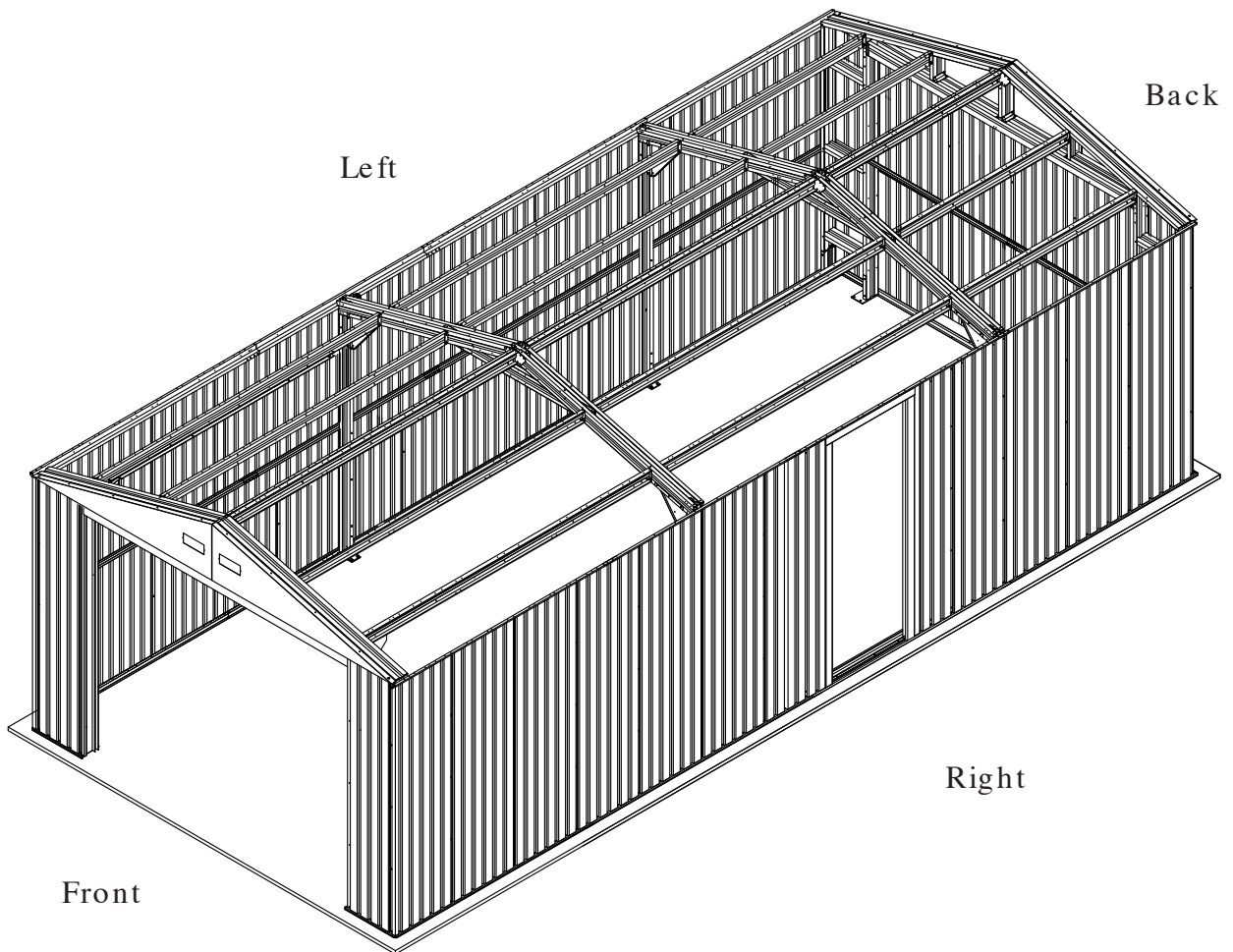
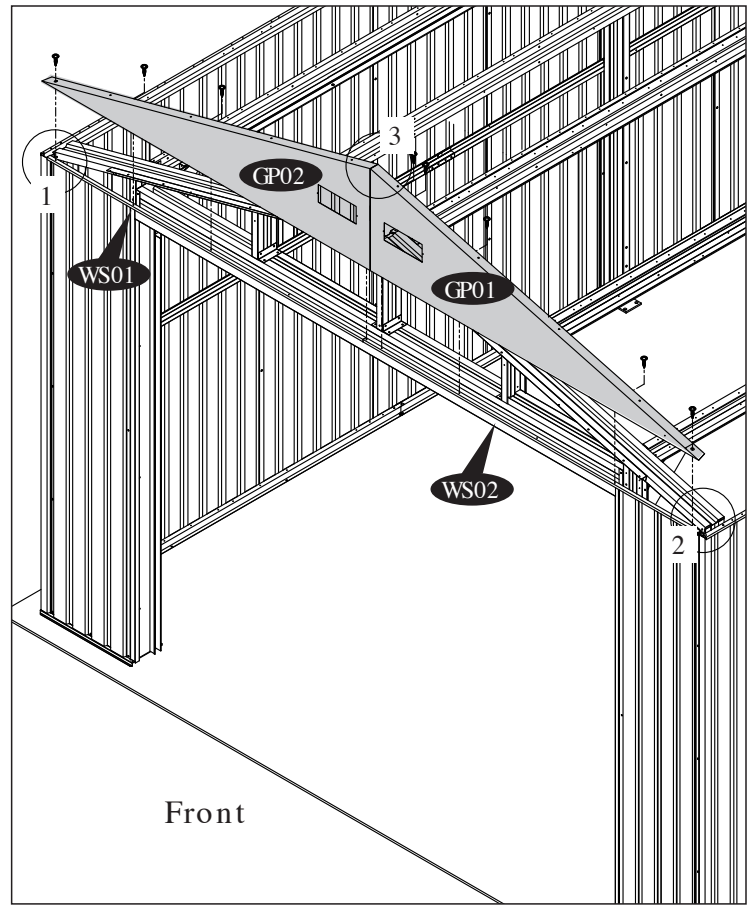
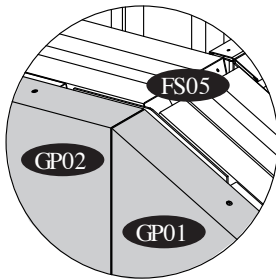
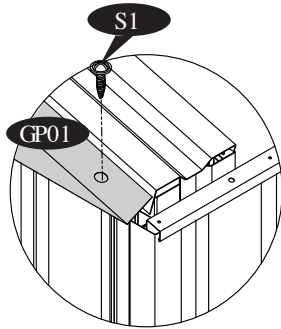
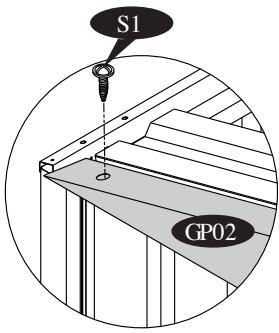


Fig.3



IMPORTANT: USE HAND GLOVES TO PREVENT INJURY.

Step - 31



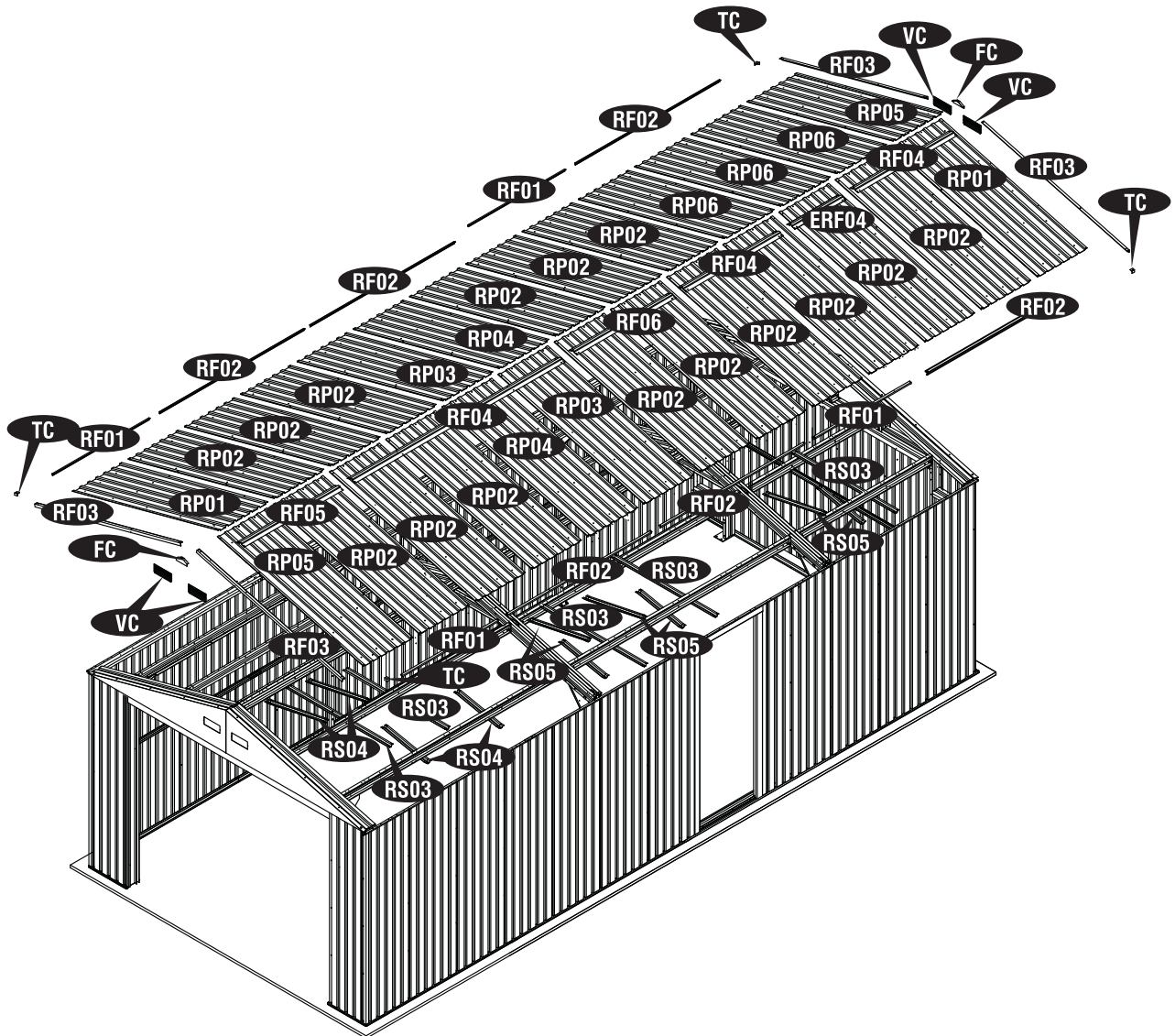
F. Roof Panel Installations and Accessories

Parts Needed:

| Code | Qty | Code | Qty |
|------|-----|------|--------|
| RP01 | 2 | WST | 8Meter |
| RP02 | 12 | FC | 2 |
| RP03 | 2 | VC | 4 |
| RP04 | 2 | TC | 4 |
| RP05 | 2 | S1 | 254 |
| RF01 | 4 | S2 | 28 |
| RF02 | 4 | S3 | 62 |
| RF03 | 4 | S9 | 24 |
| RF04 | 3 | PW | 332 |
| RF05 | 1 | | |
| RF06 | 1 | | |
| RS03 | 4 | | |
| RS04 | 4 | | |
| RS05 | 4 | | |

Parts Needed for each extension:

| Code | Qty |
|-------|----------|
| RP02 | 3 |
| RP06 | 3 |
| RF02 | 2 |
| RF04 | 1 |
| ERF04 | 1 |
| RS03 | 1 |
| RS05 | 2 |
| ERF04 | 1 |
| WST | 2.5Meter |
| S1 | 72 |
| S2 | 8 |
| S3 | 18 |
| S9 | 6 |
| PW | 60 |



Step - 1

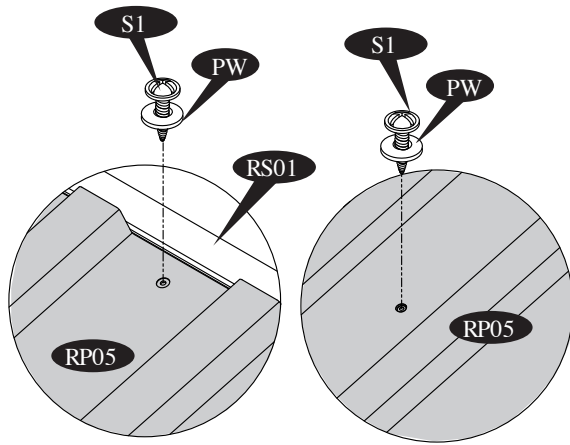
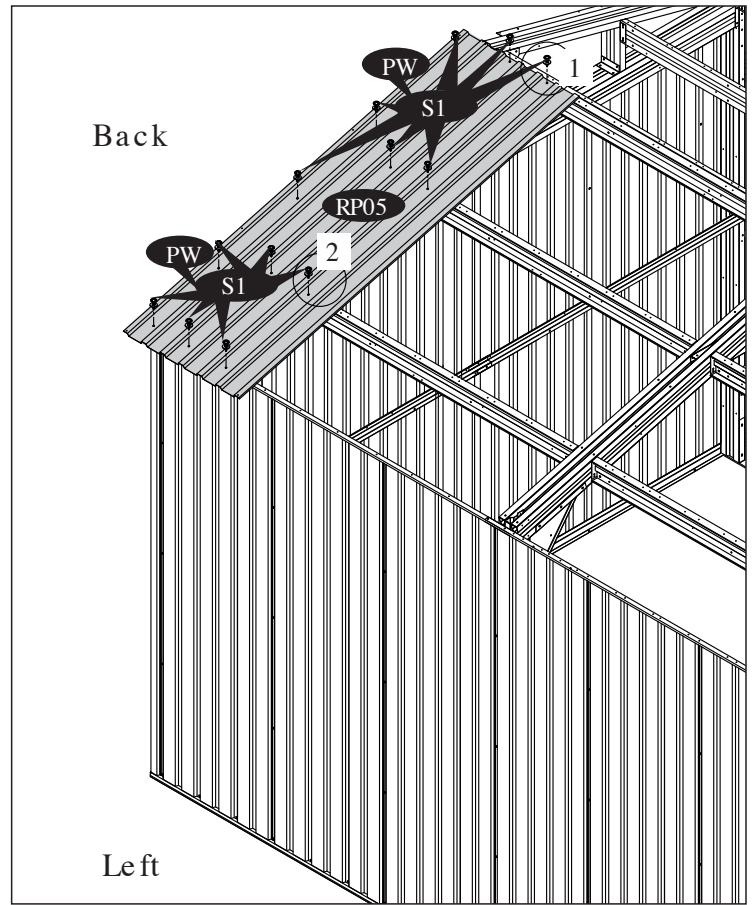
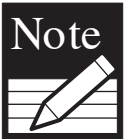


Fig.1

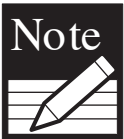
Fig.2



Step -2



Note Make sure the overlapping position for roof panel is as shown in blow up.



Note Roof Panel installation by using ladder from inside at missing Panels.

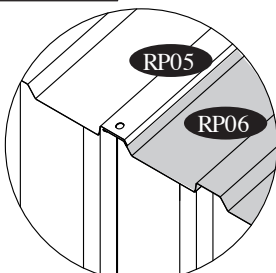


Fig.1

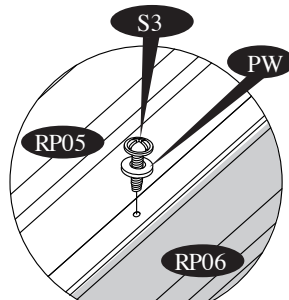


Fig.2

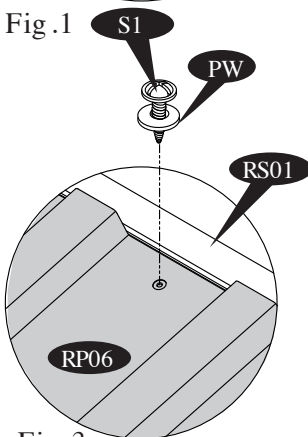


Fig.3

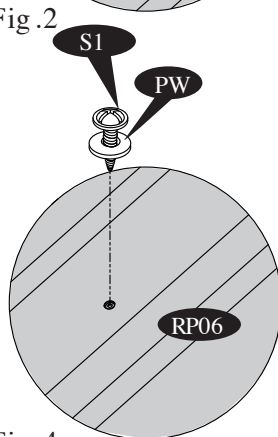
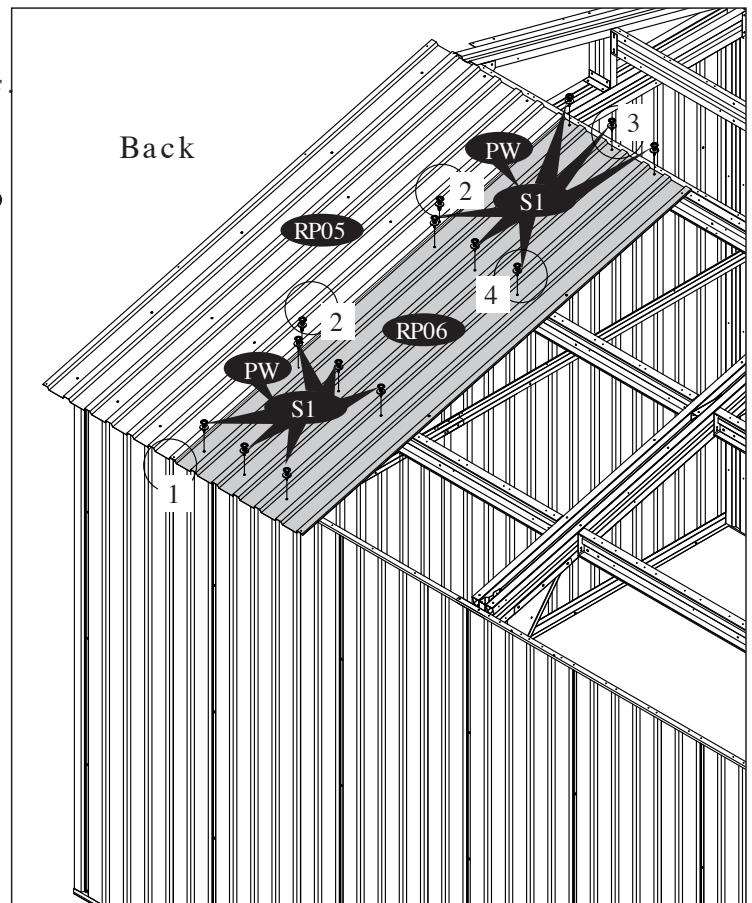


Fig.4



Step -3

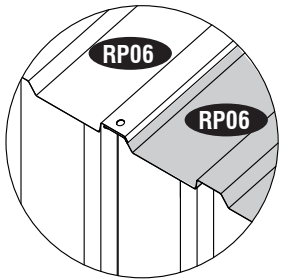


Fig.1

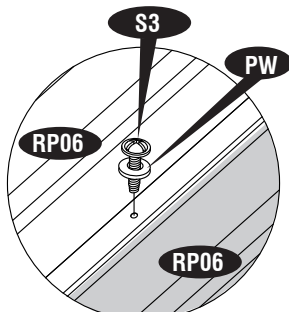


Fig.2

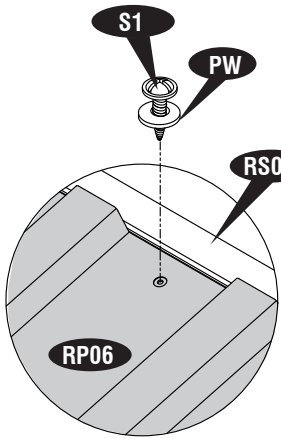


Fig.3

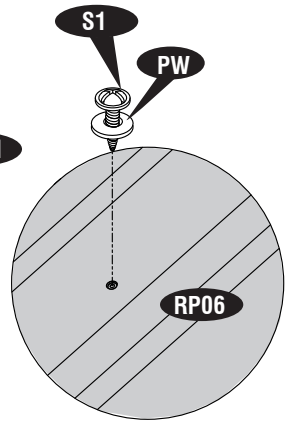
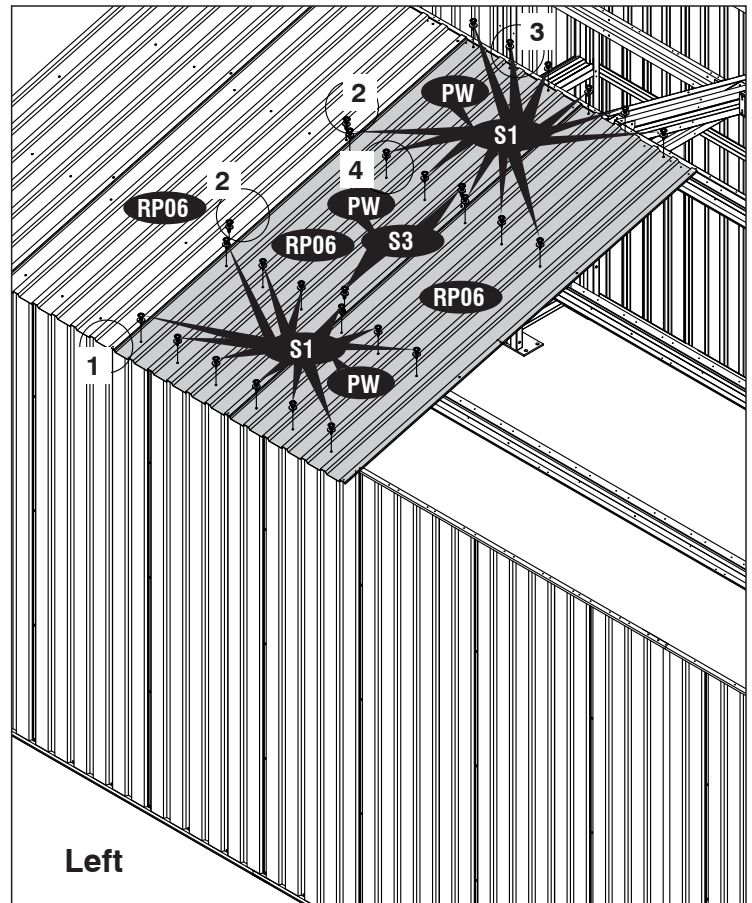


Fig.4



Left

Step -4

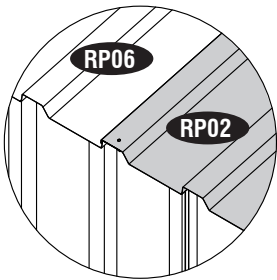


Fig.1

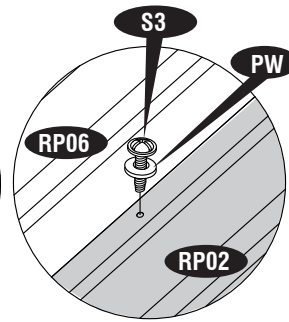


Fig.2

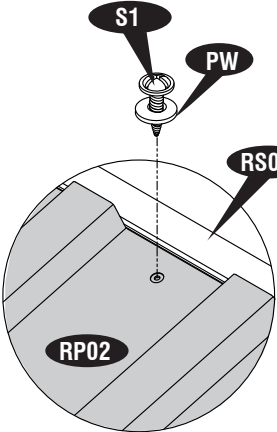


Fig.3

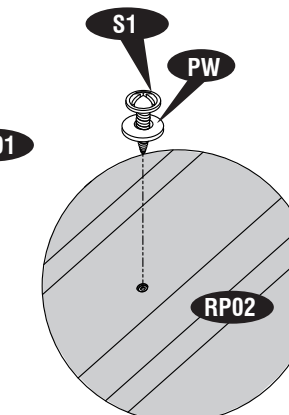
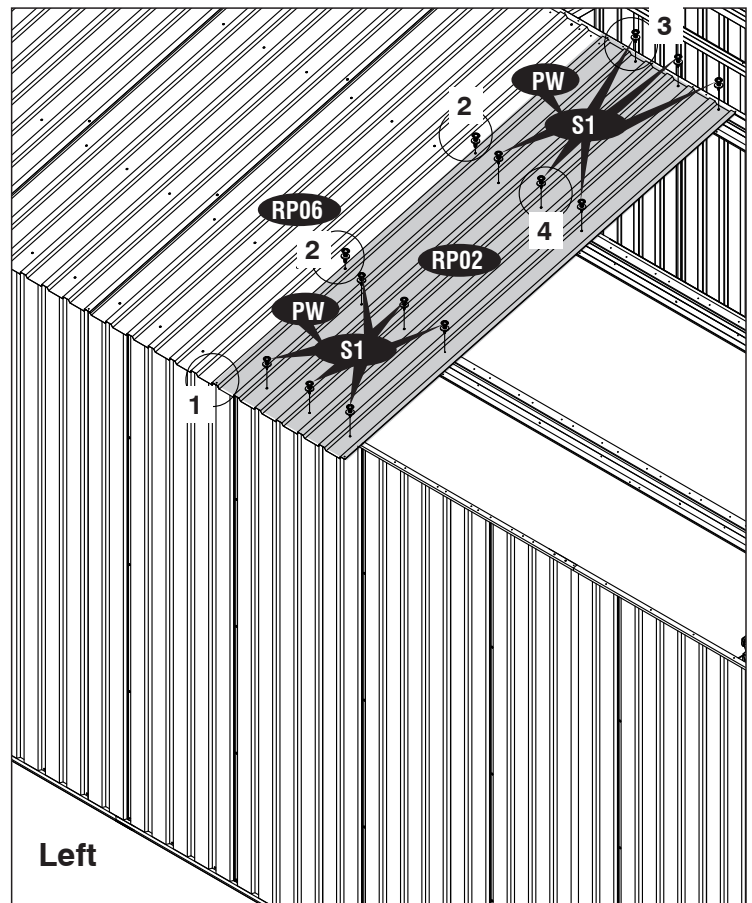


Fig.4



Left

IMPORTANT: USE HAND GLOVES TO PREVENT INJURY.

Step -5

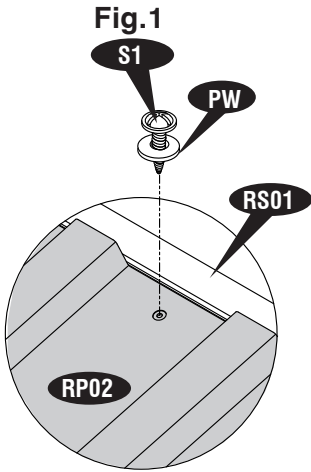
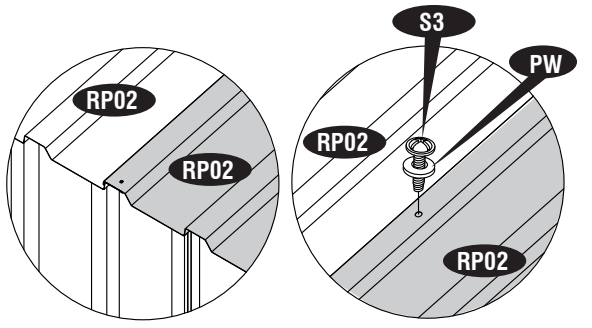


Fig.3

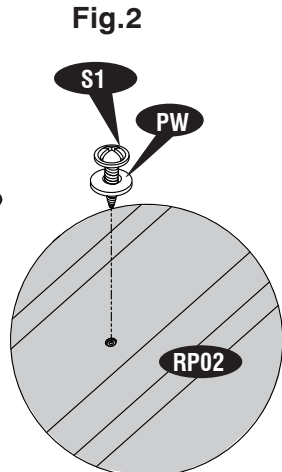
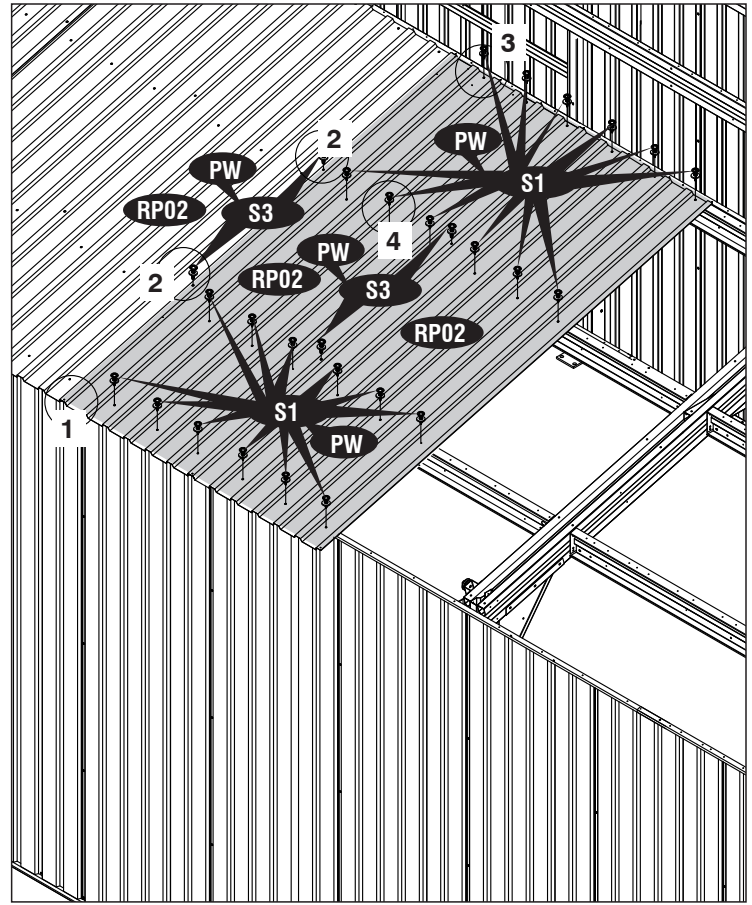
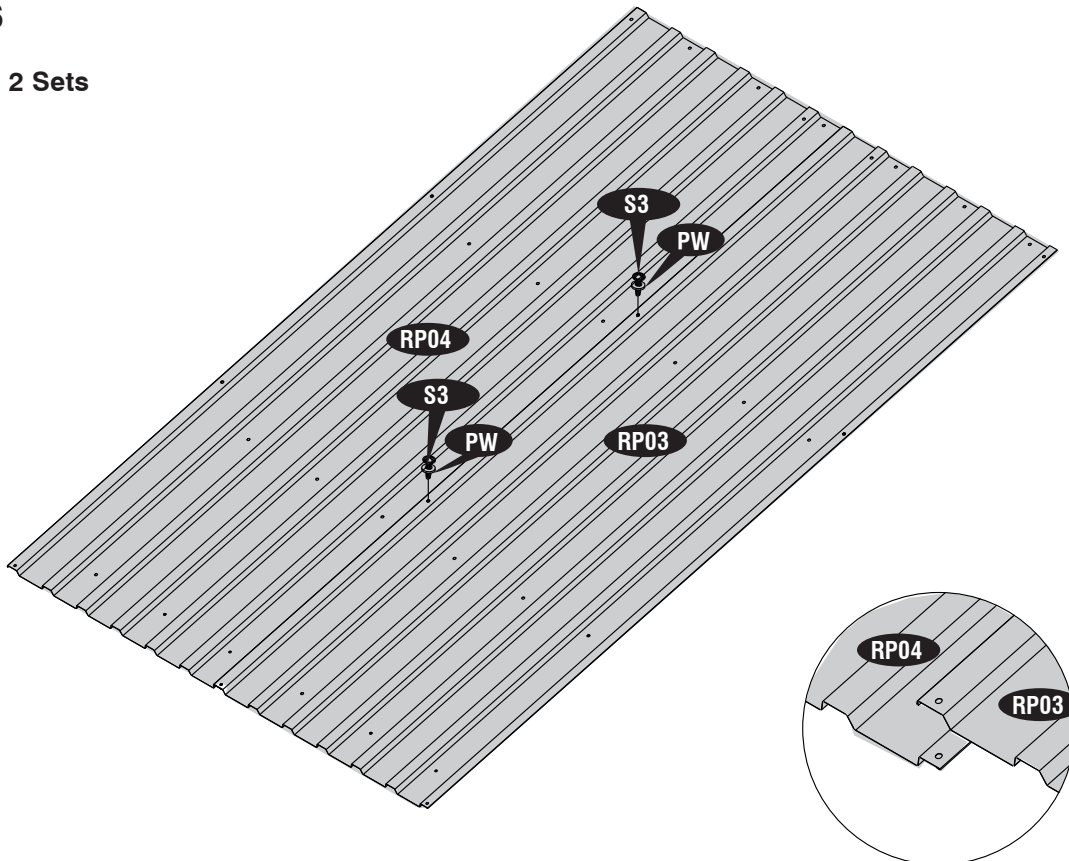


Fig.4



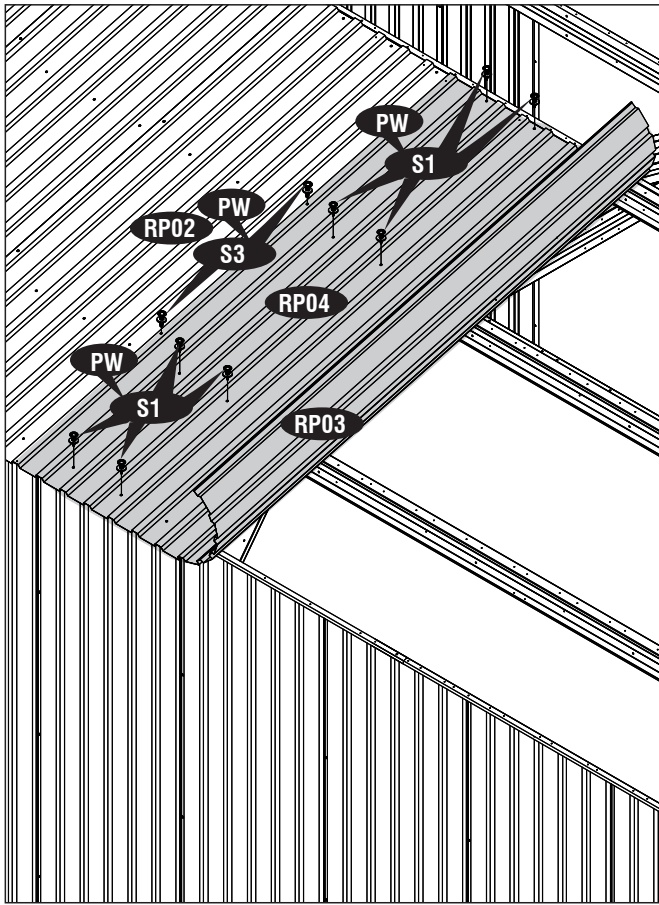
Step -6

Make 2 Sets

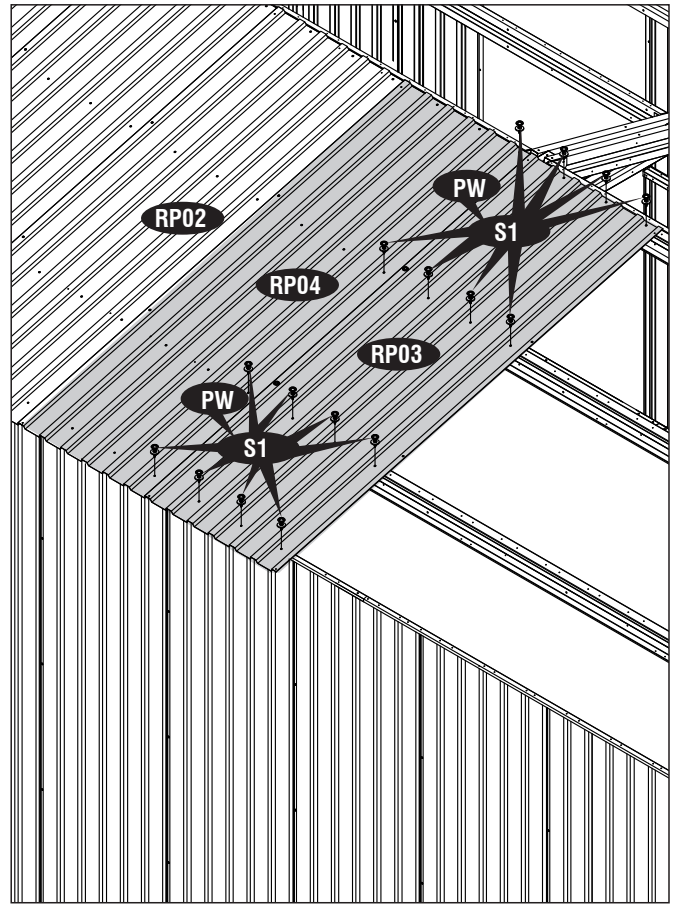


IMPORTANT: USE HAND GLOVES TO PREVENT INJURY.

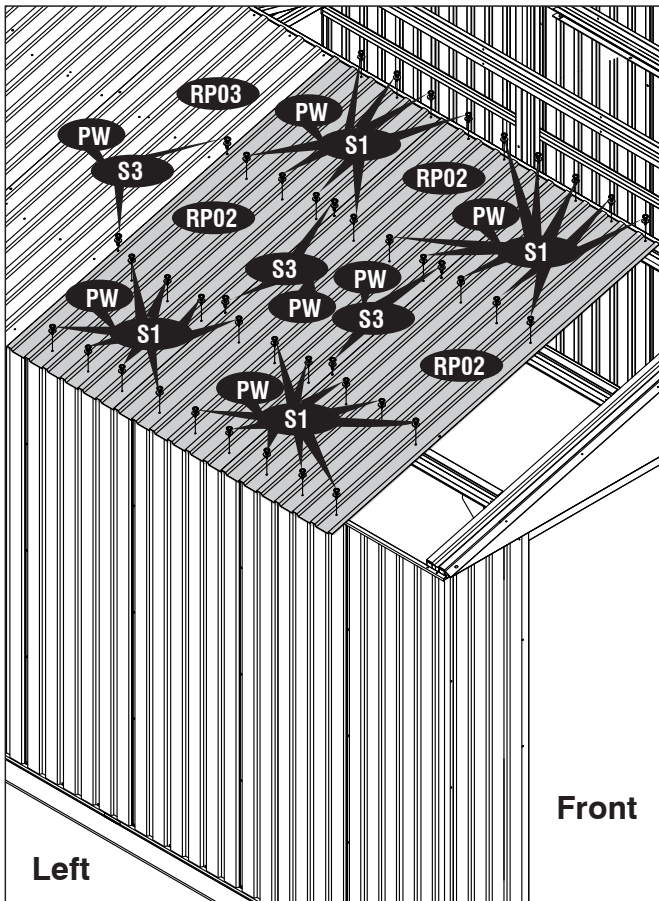
Step -7



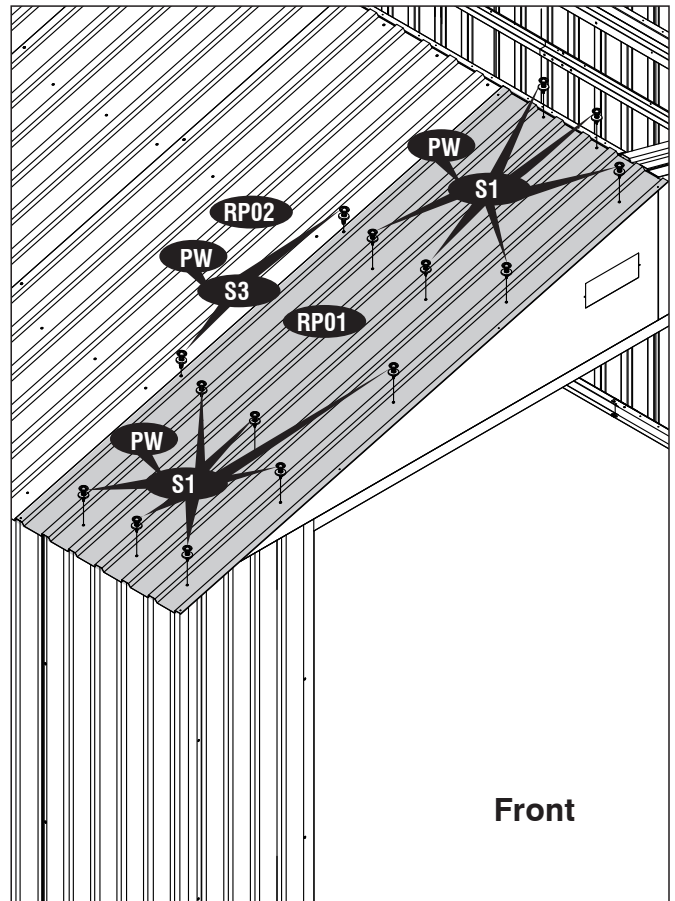
Step -8



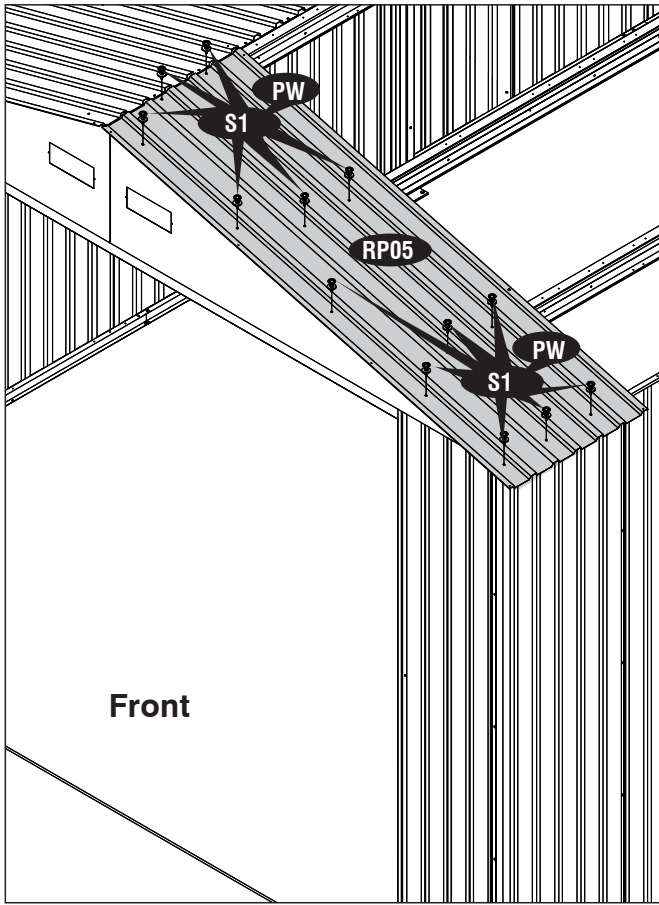
Step -9



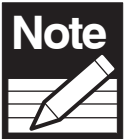
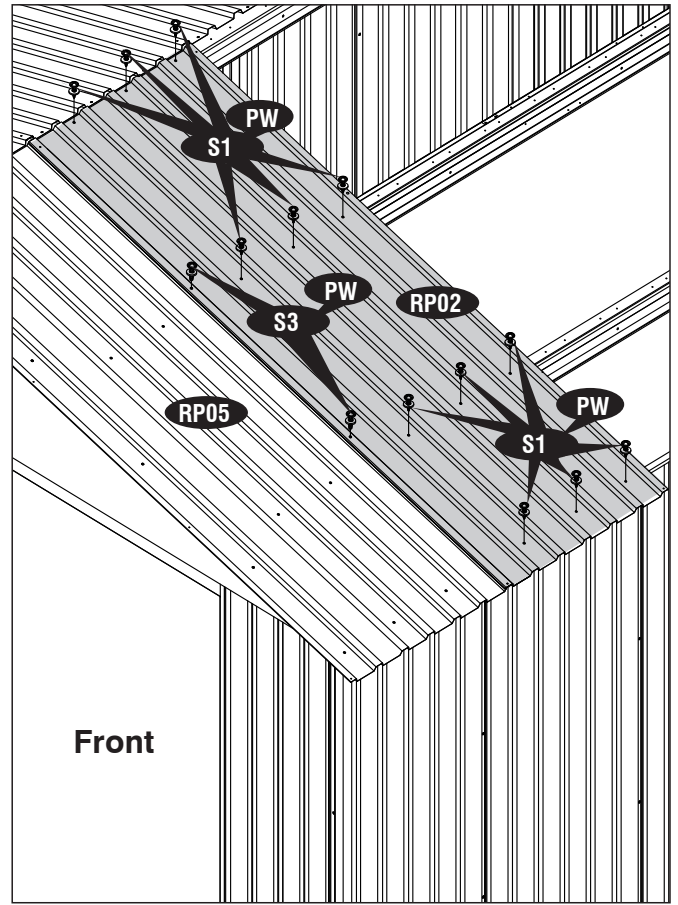
Step -10



Step - 11

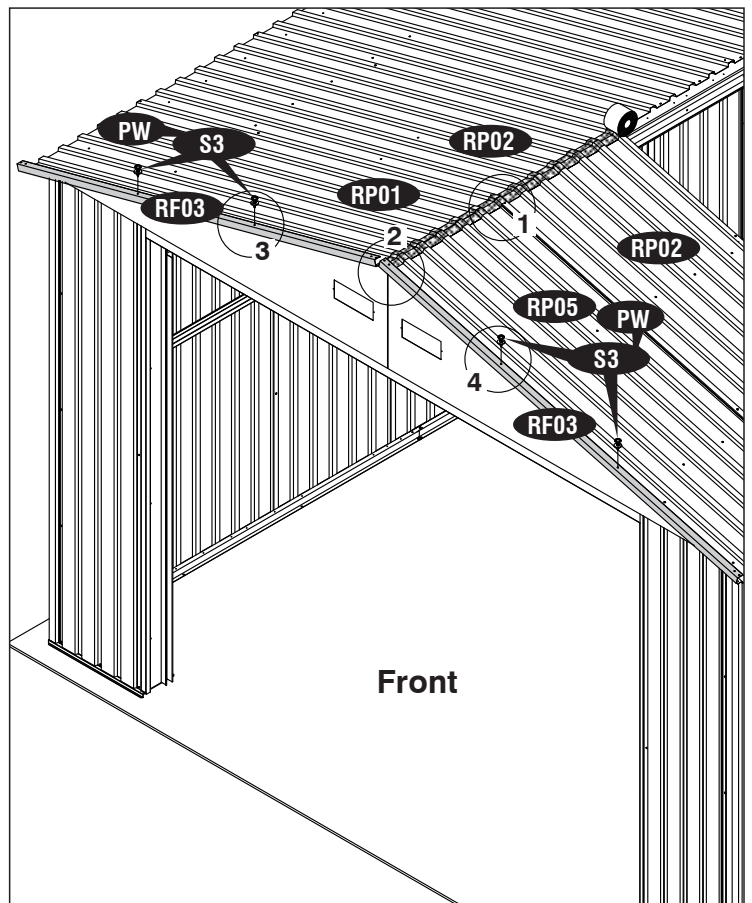
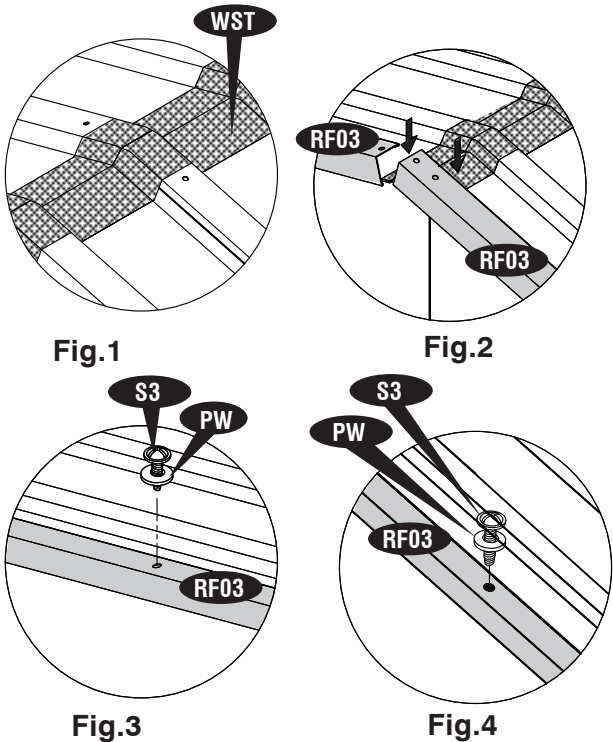


Step - 12



Note Roof Panel installation by using ladder from inside at missing Panels.

Step - 13



Step - 14

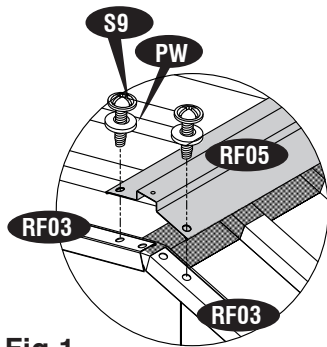


Fig.1

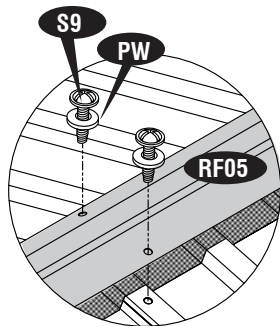
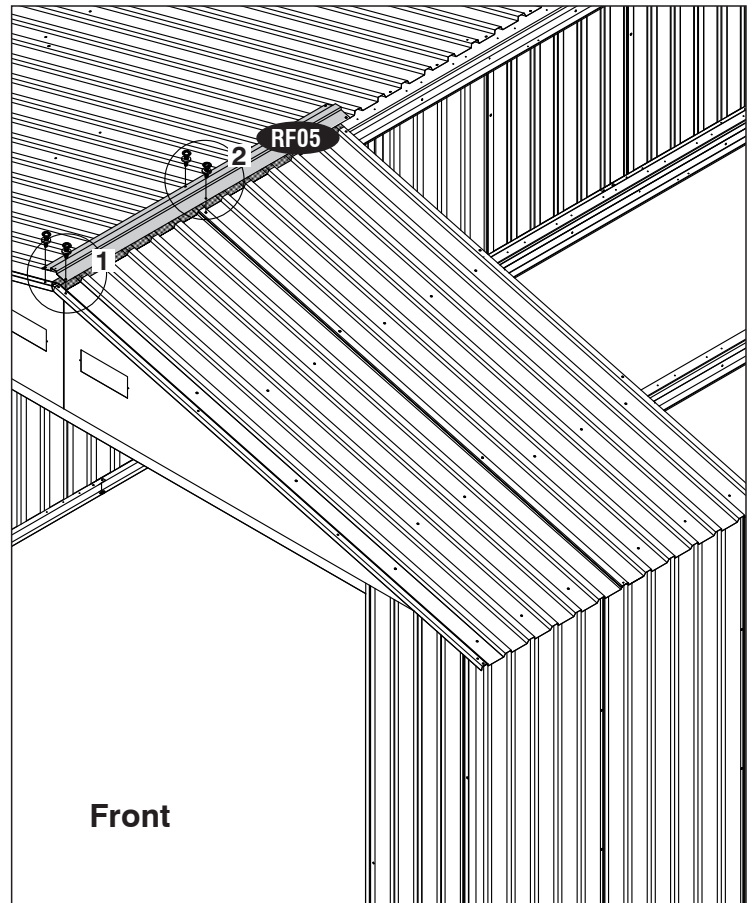
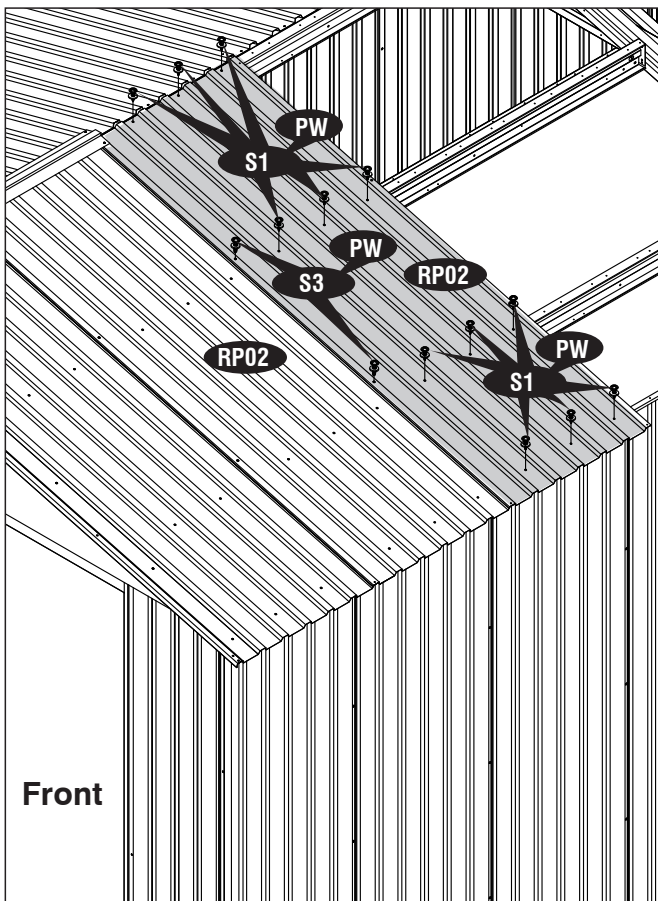


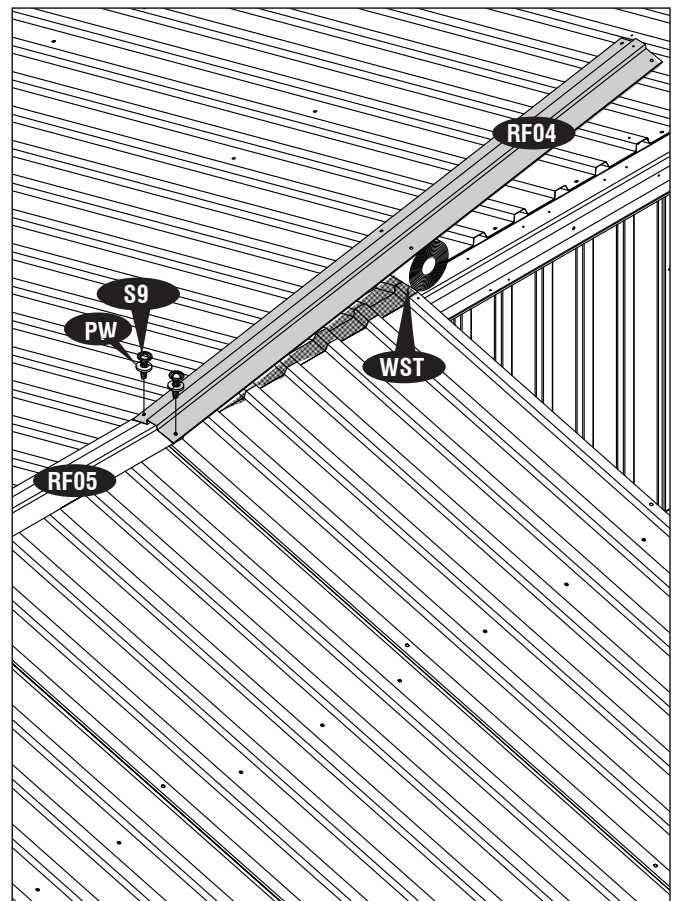
Fig.2



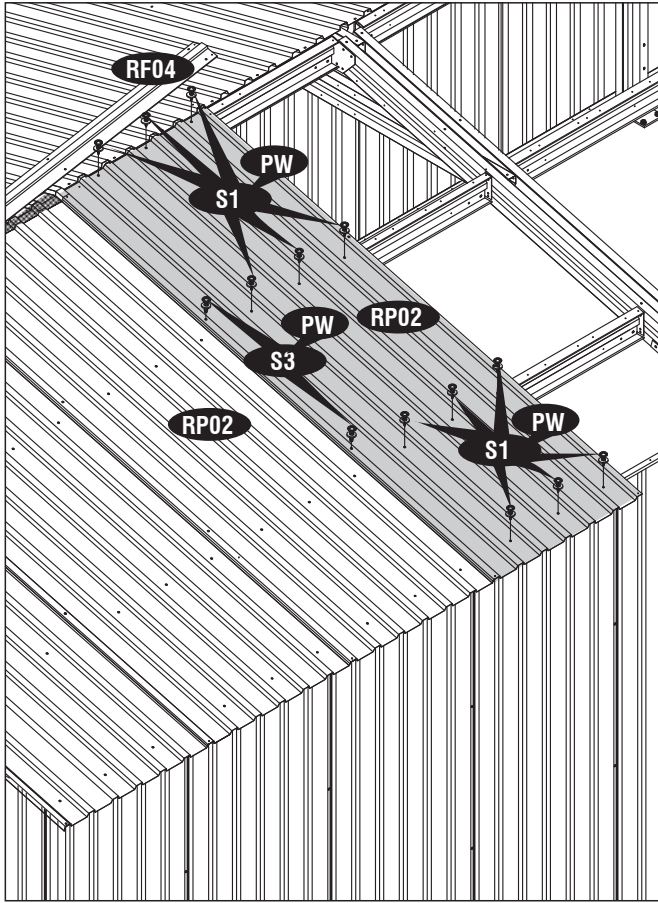
Step - 15



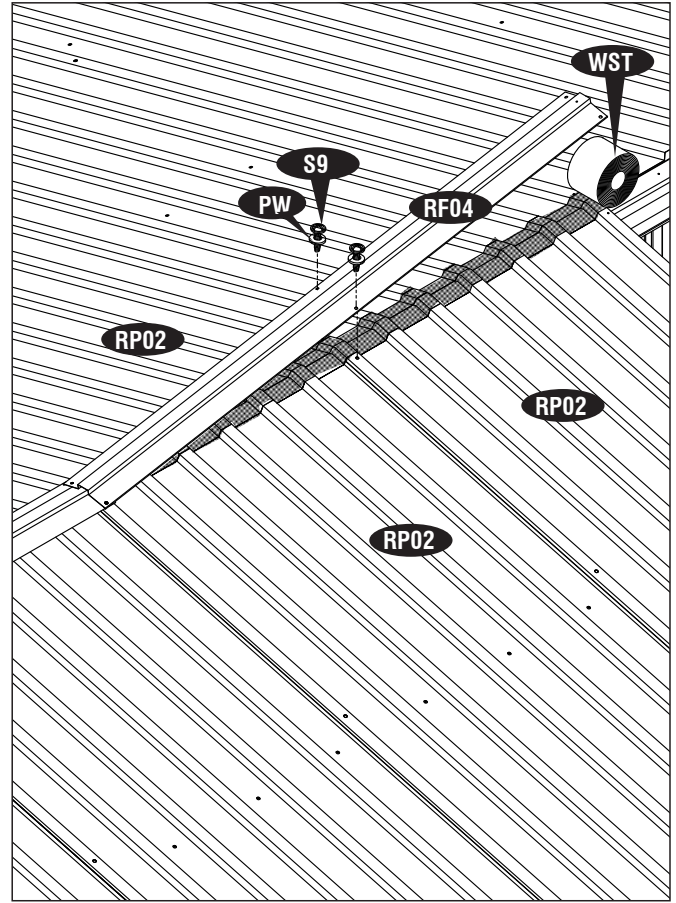
Step - 16



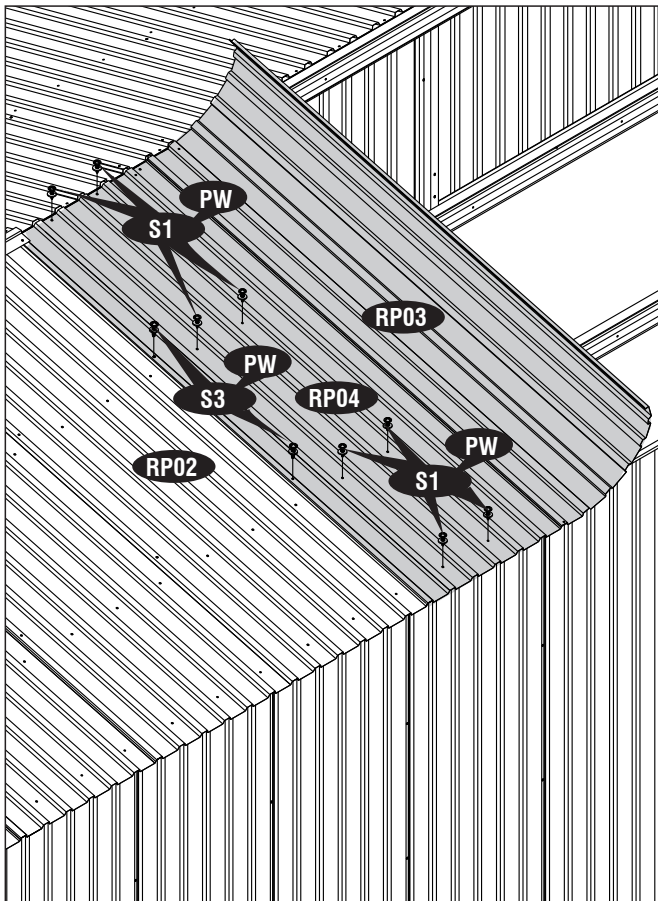
Step - 17



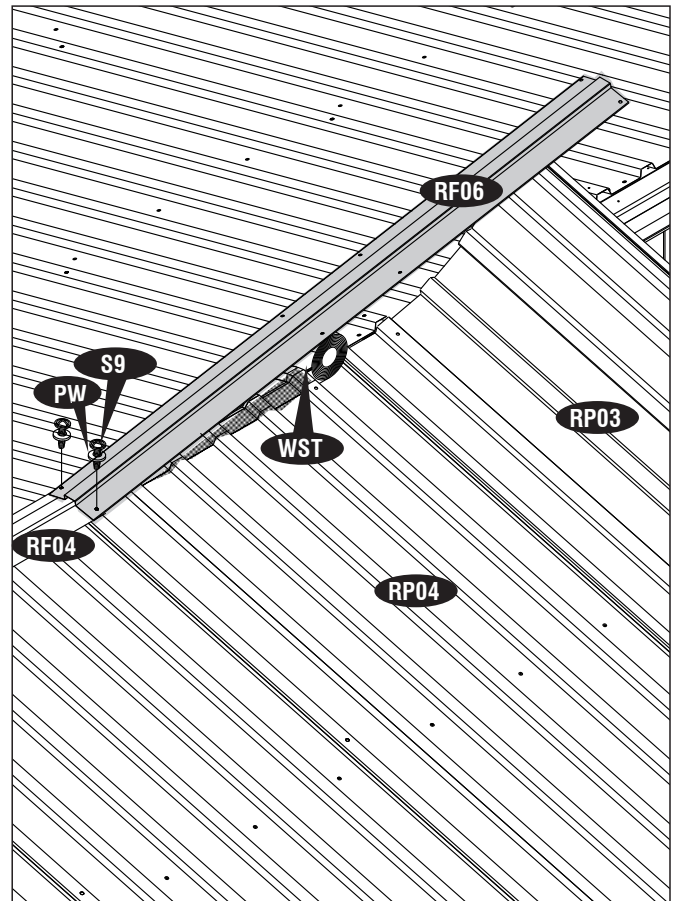
Step - 18



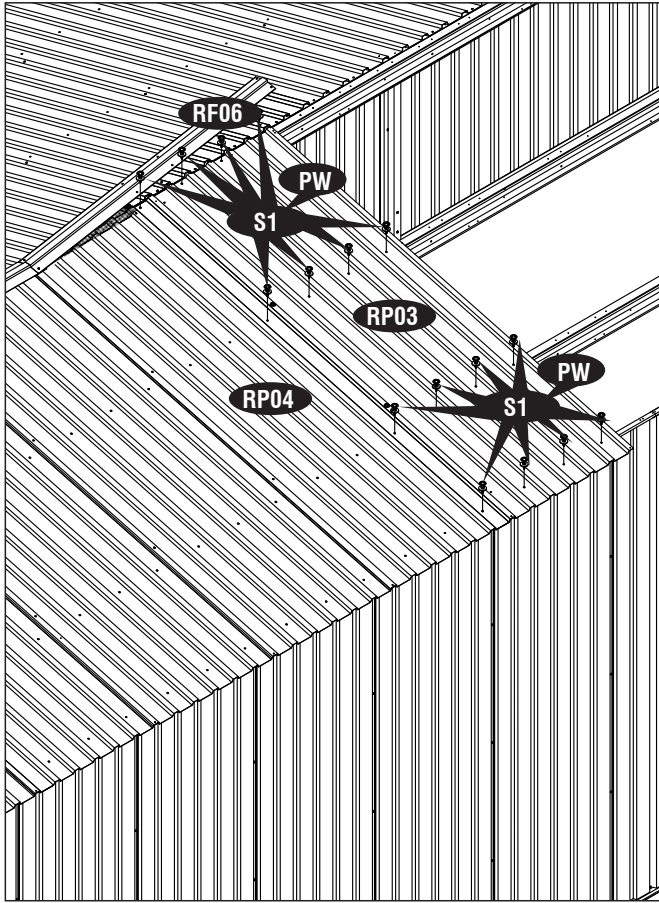
Step - 19



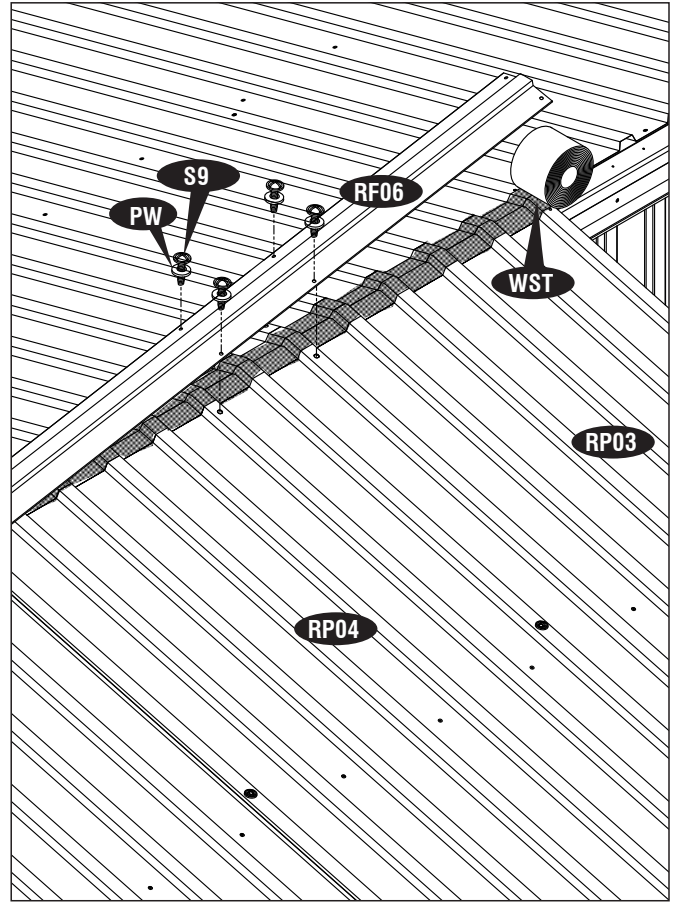
Step - 20



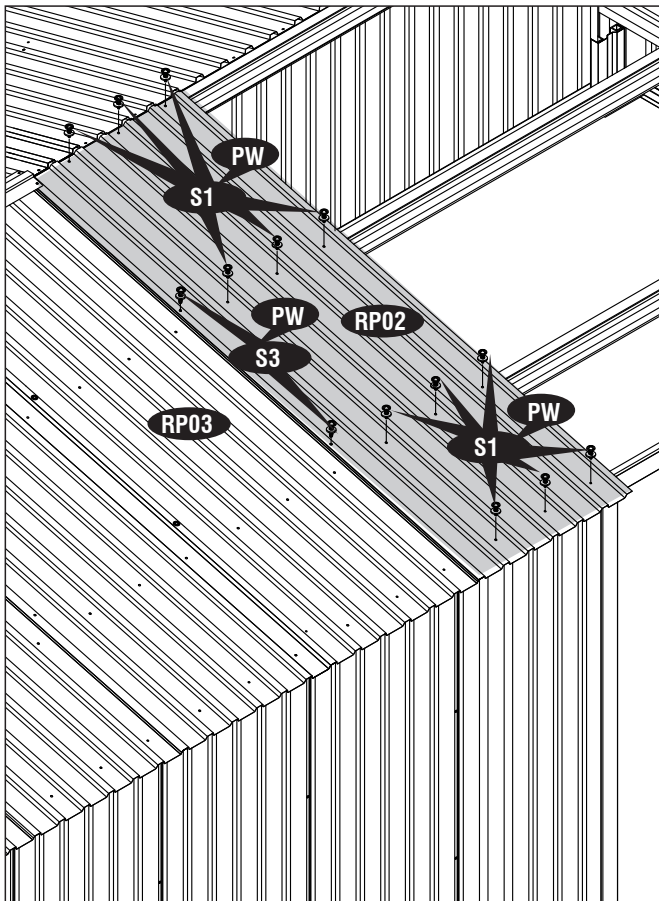
Step - 21



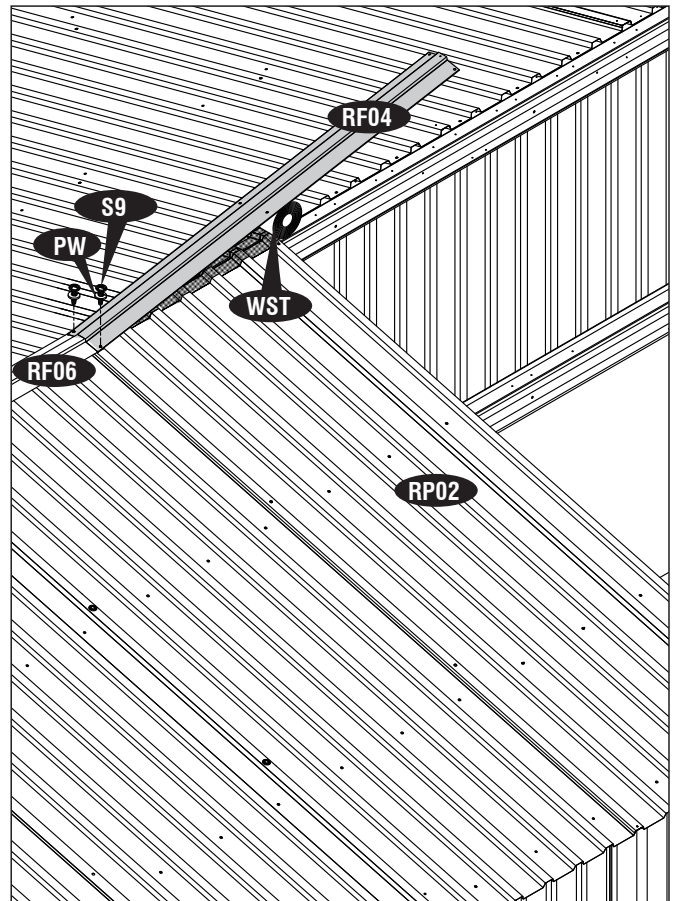
Step - 22



Step - 23

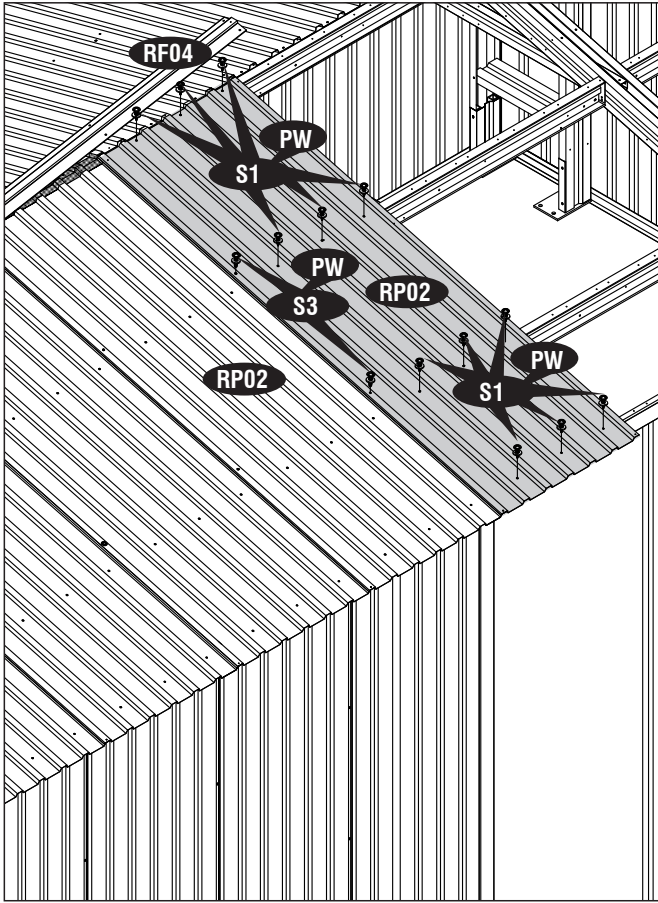


Step - 24

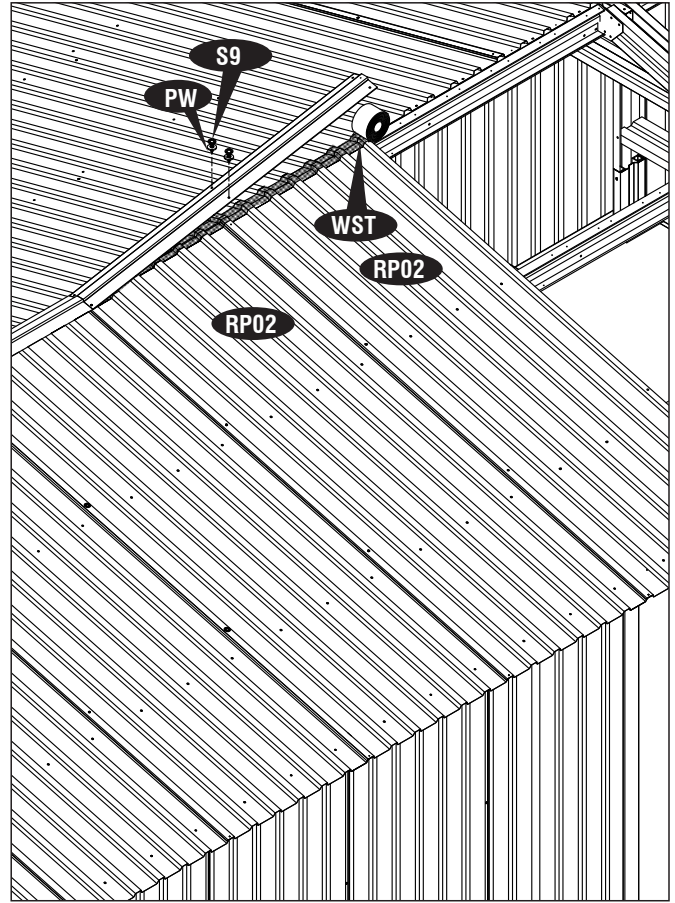


IMPORTANT: USE HAND GLOVES TO PREVENT INJURY.

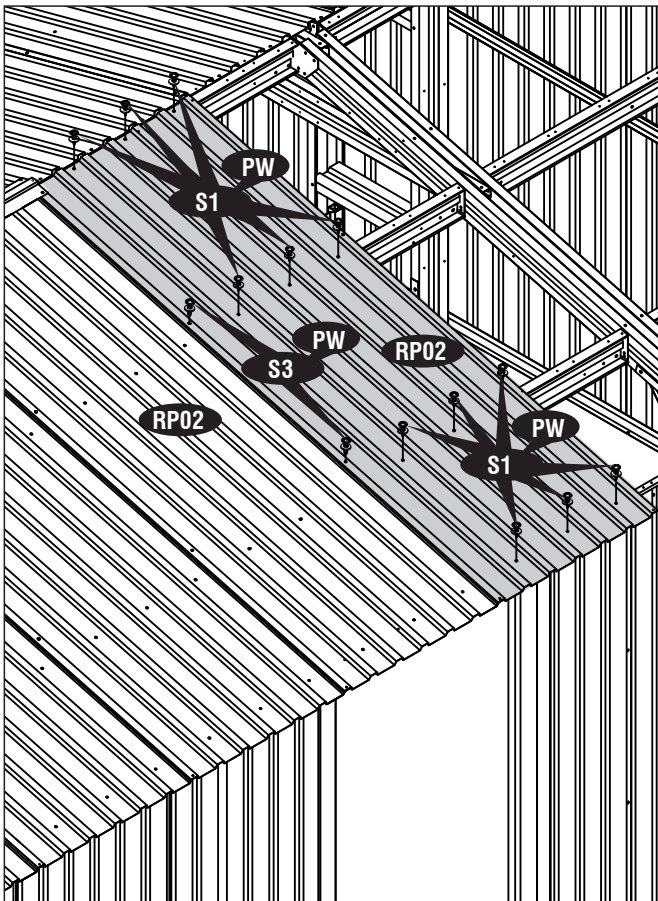
Step - 25



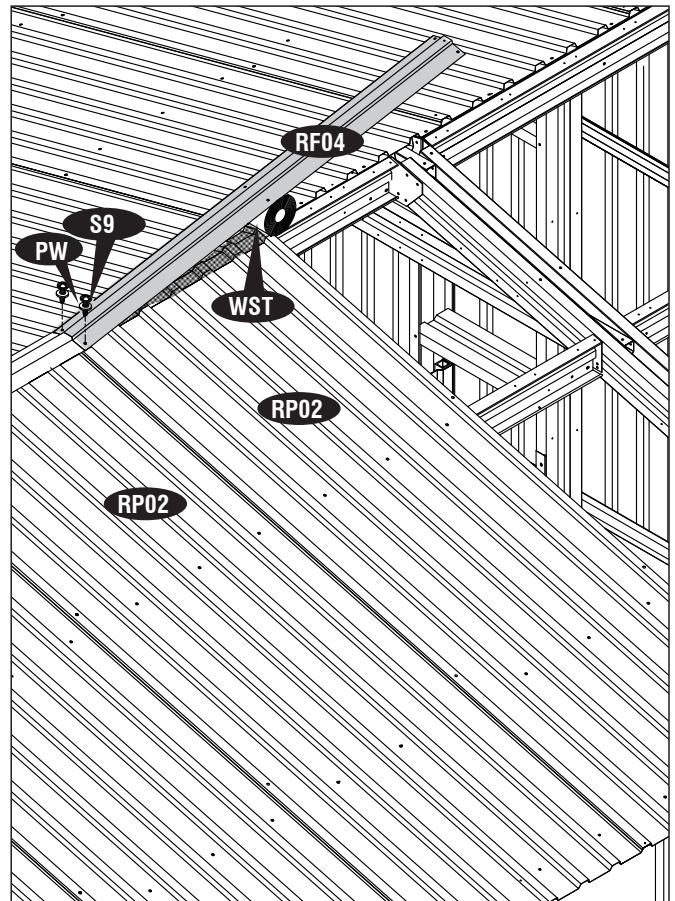
Step - 26



Step - 27

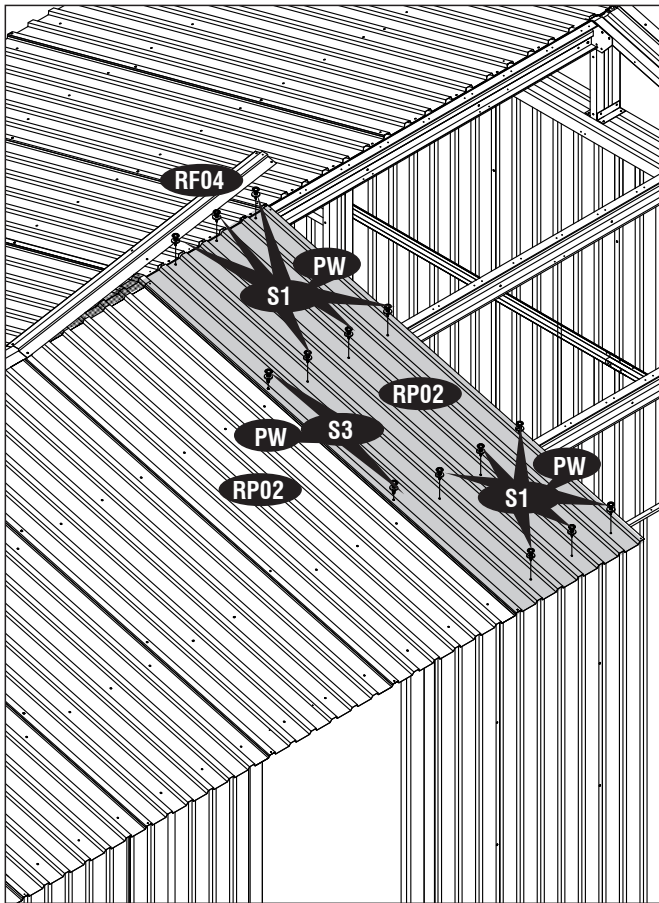


Step - 28

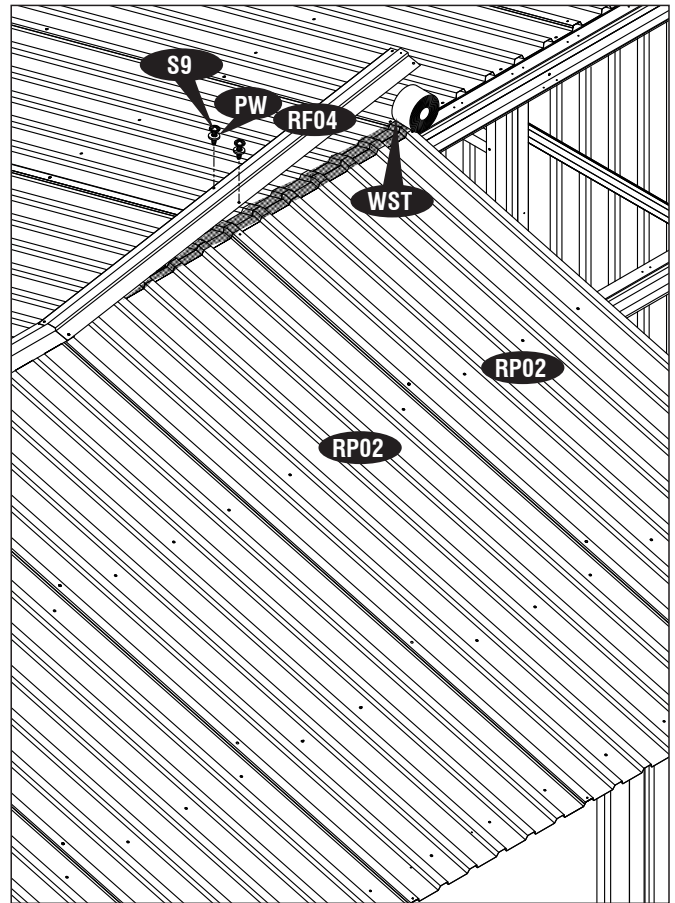


IMPORTANT: USE HAND GLOVES TO PREVENT INJURY.

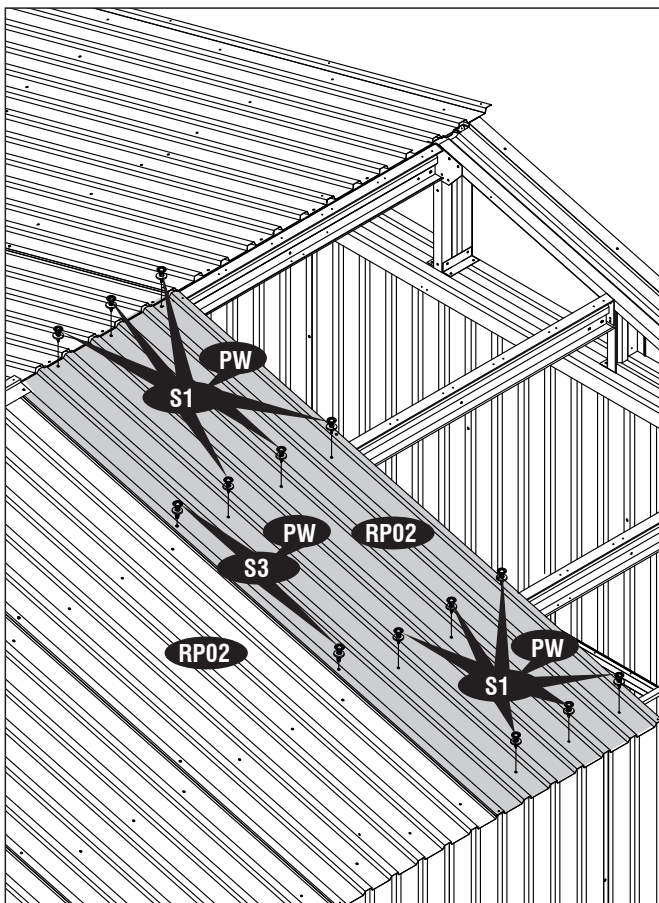
Step - 29



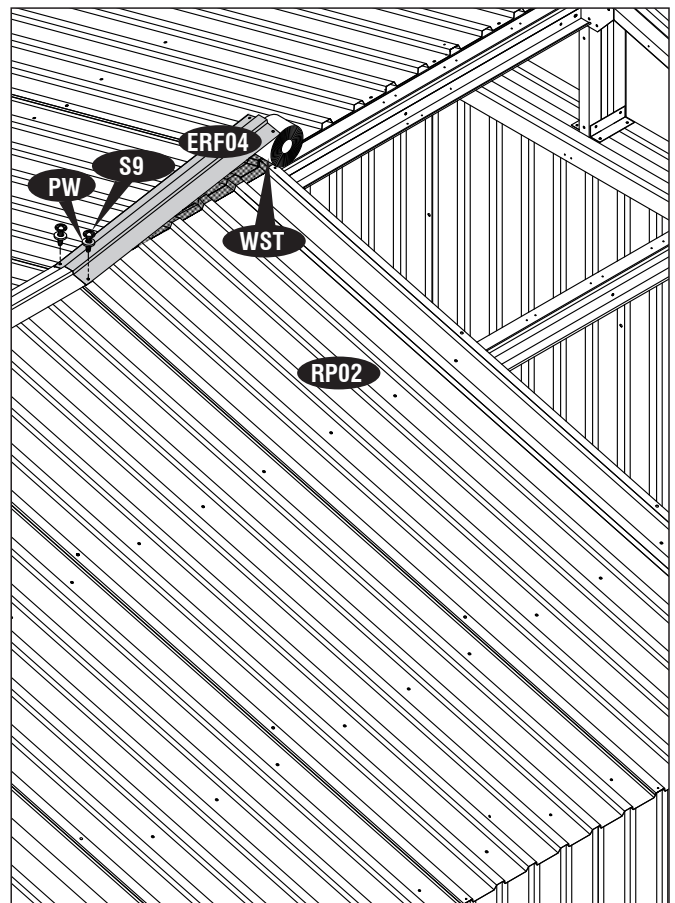
Step - 30



Step - 31

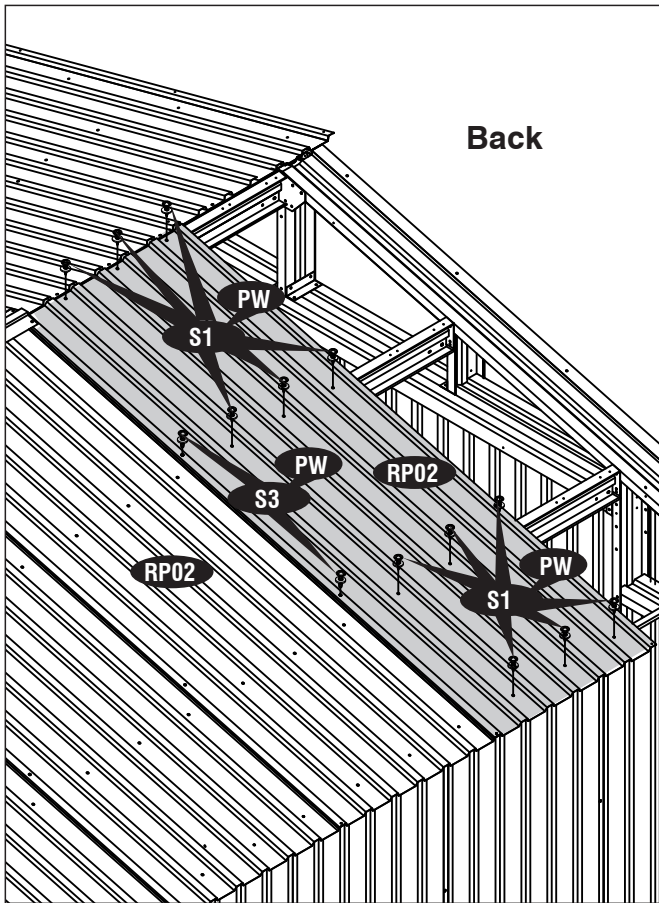


Step - 32

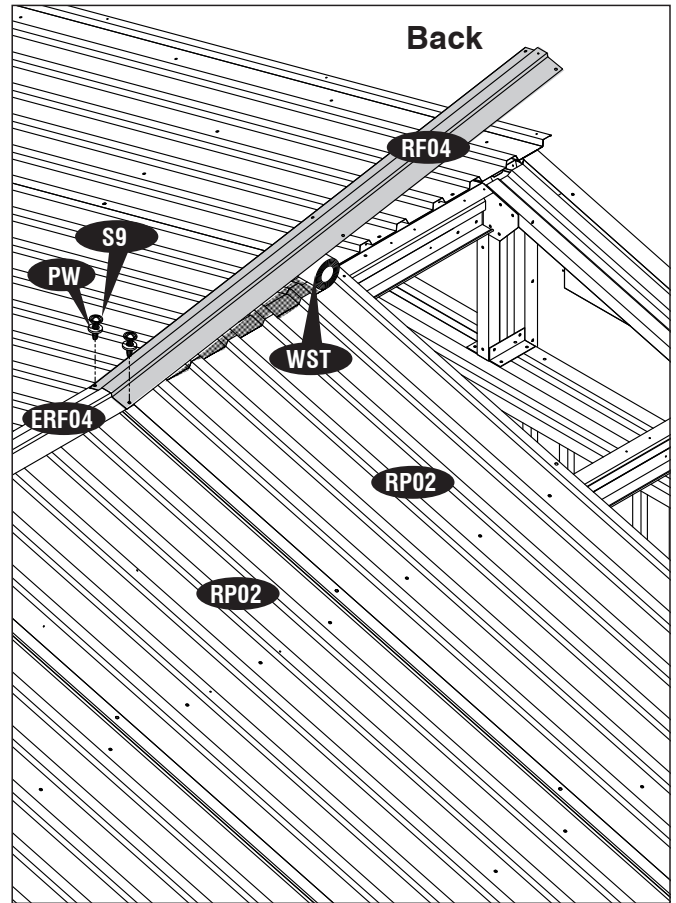


IMPORTANT: USE HAND GLOVES TO PREVENT INJURY.

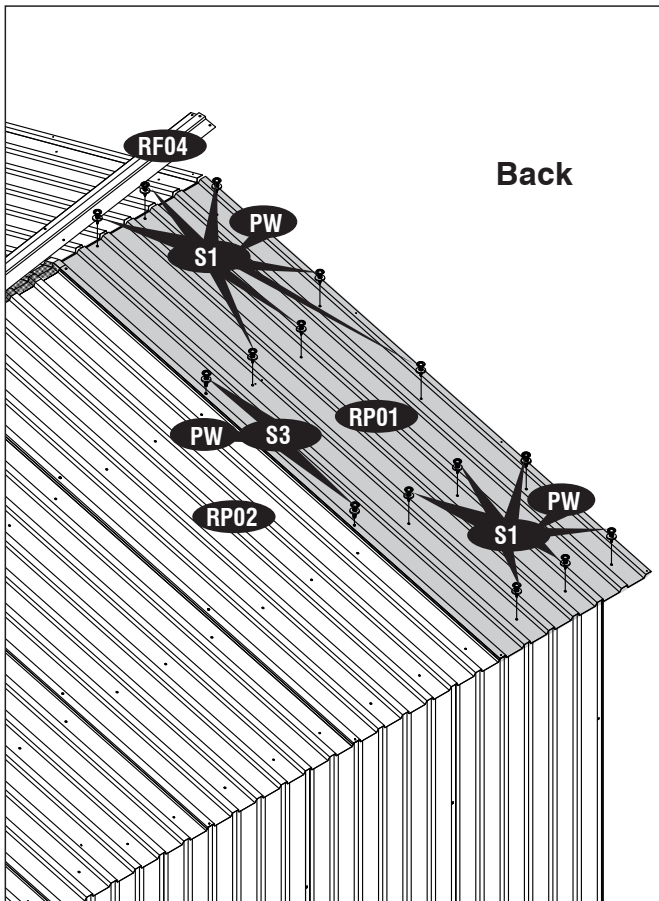
Step - 33



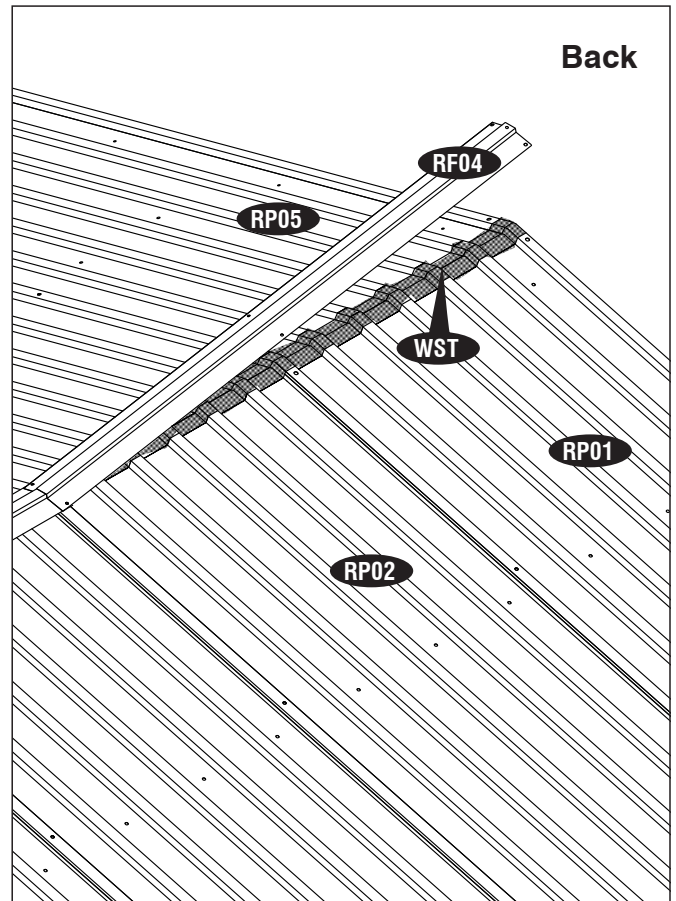
Step - 34



Step - 35

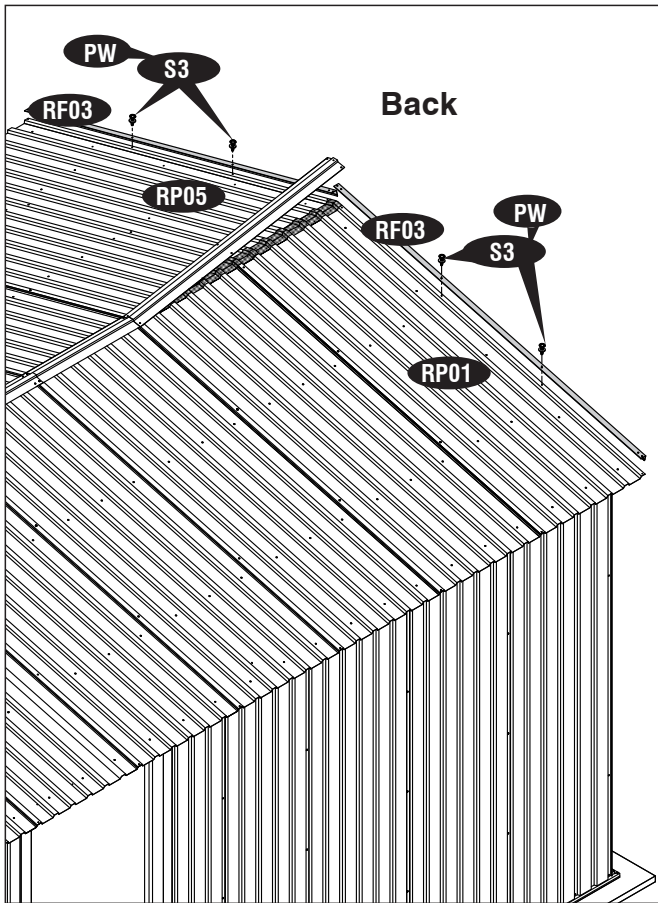


Step - 36

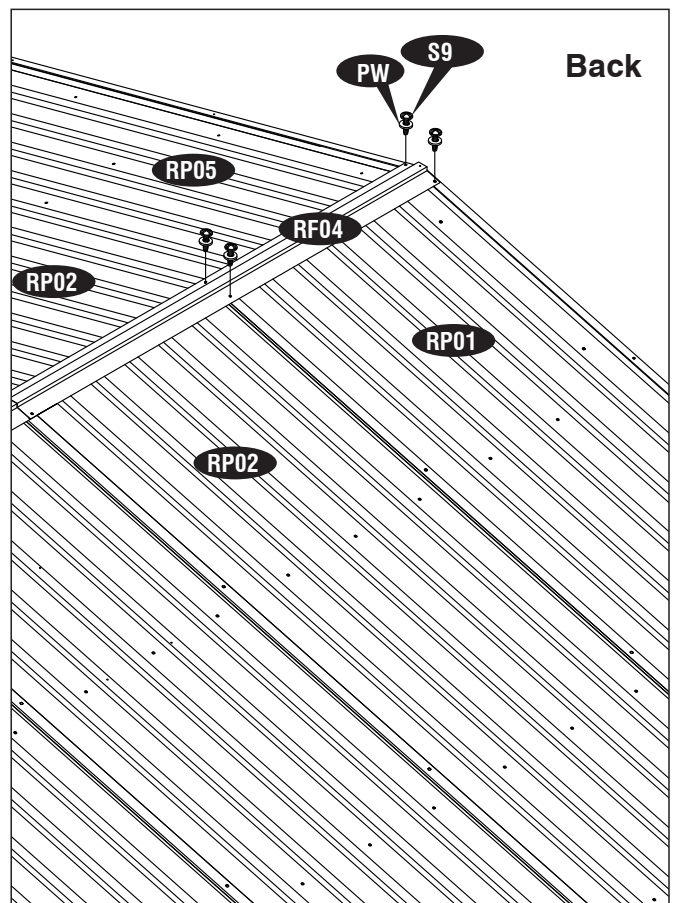


IMPORTANT: USE HAND GLOVES TO PREVENT INJURY.

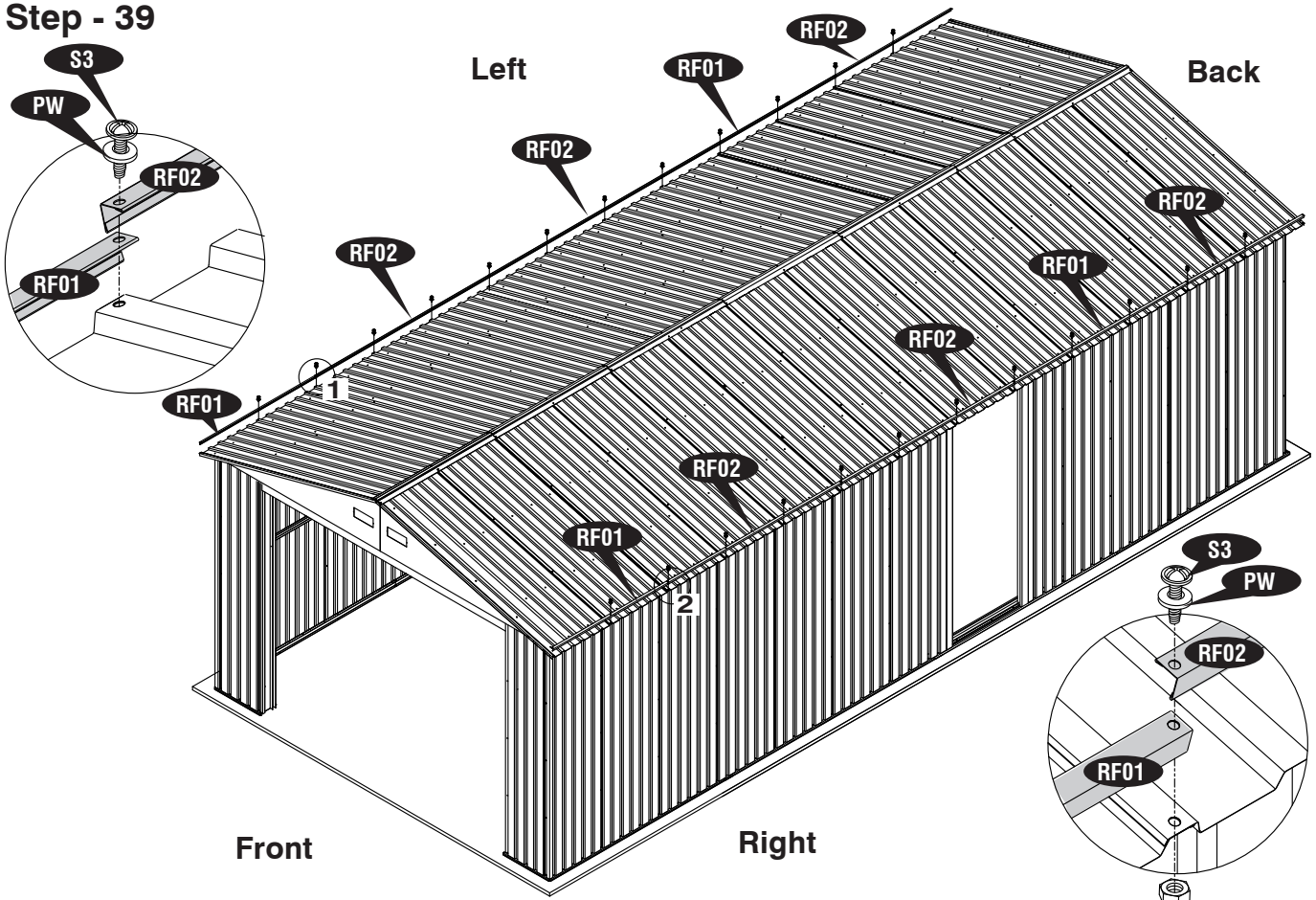
Step - 37



Step - 38



Step - 39



IMPORTANT: USE HAND GLOVES TO PREVENT INJURY.

Step - 40

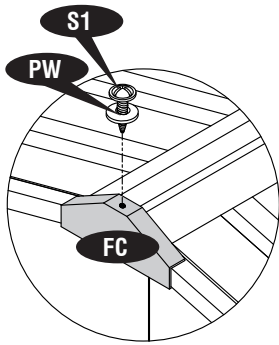


Fig.1

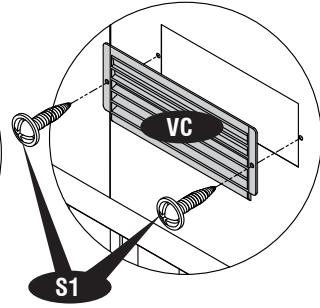


Fig.2

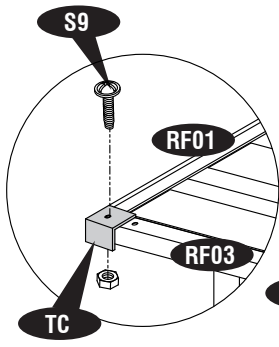


Fig.3

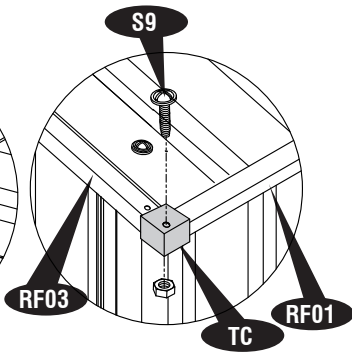
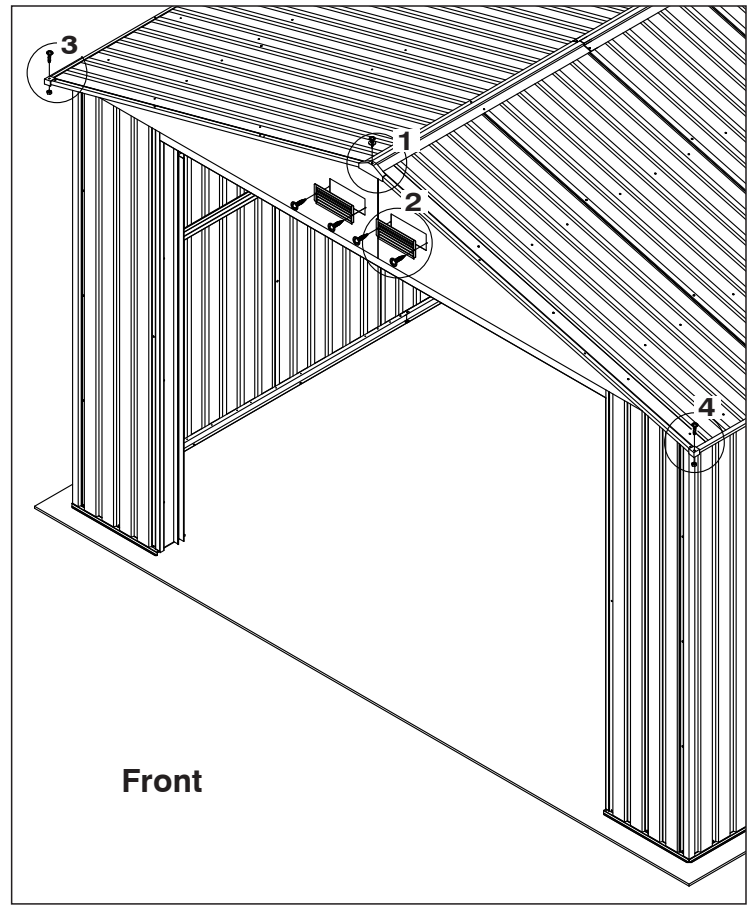


Fig.4



Front

Step - 41

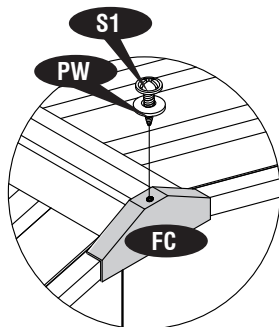


Fig.1

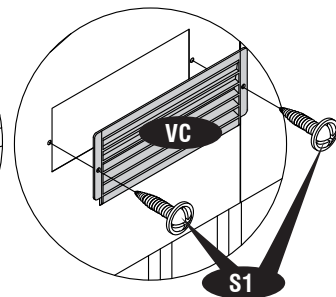


Fig.2

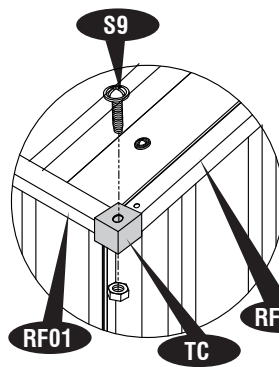


Fig.3

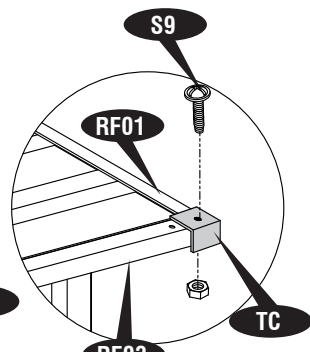
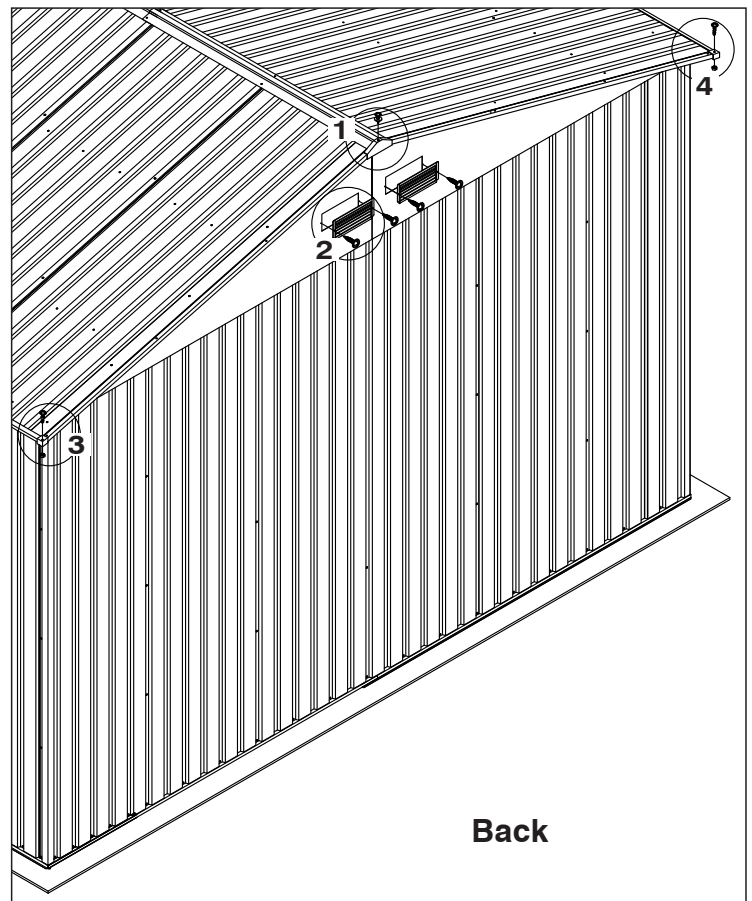


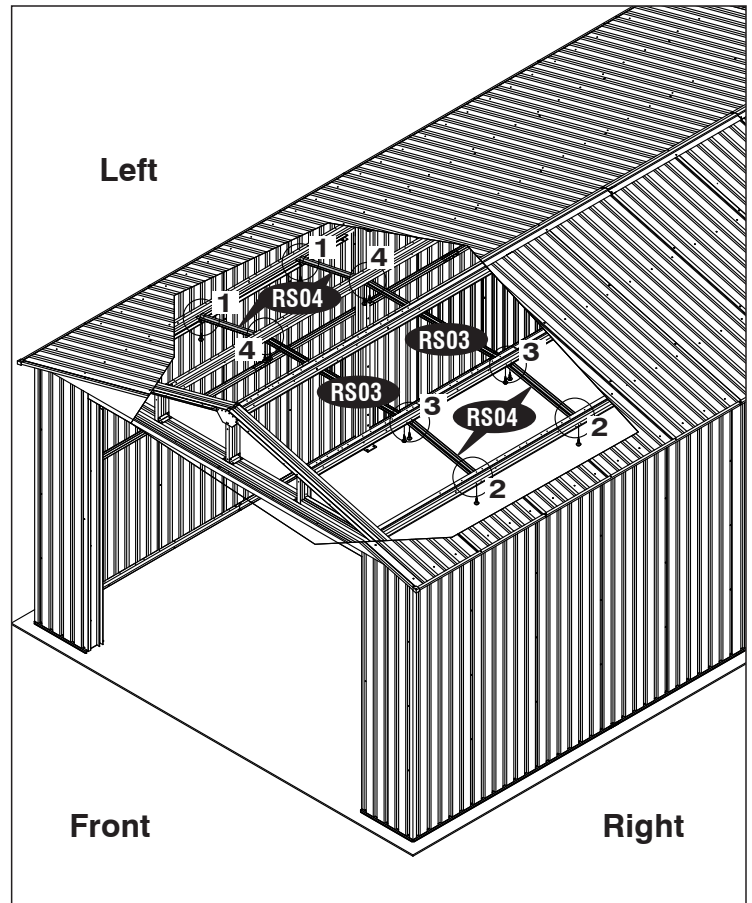
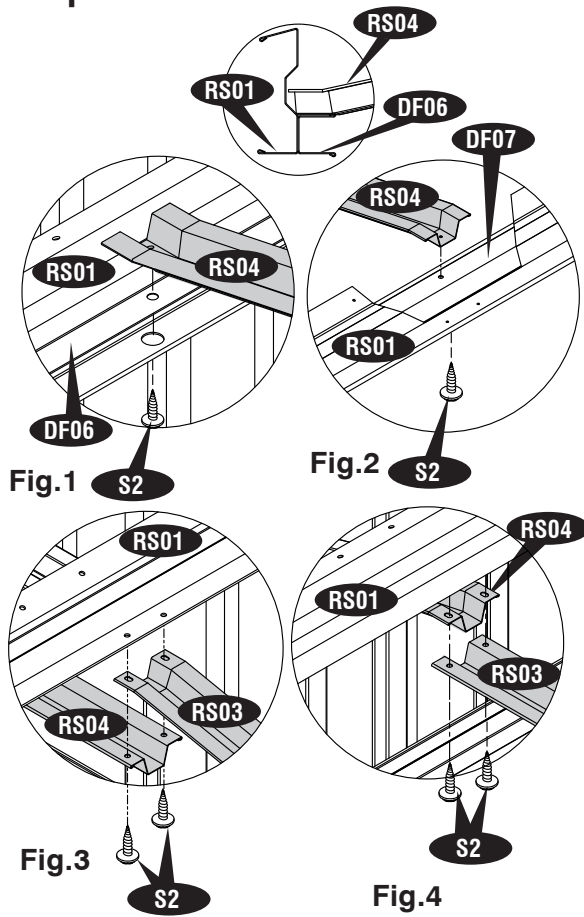
Fig.4



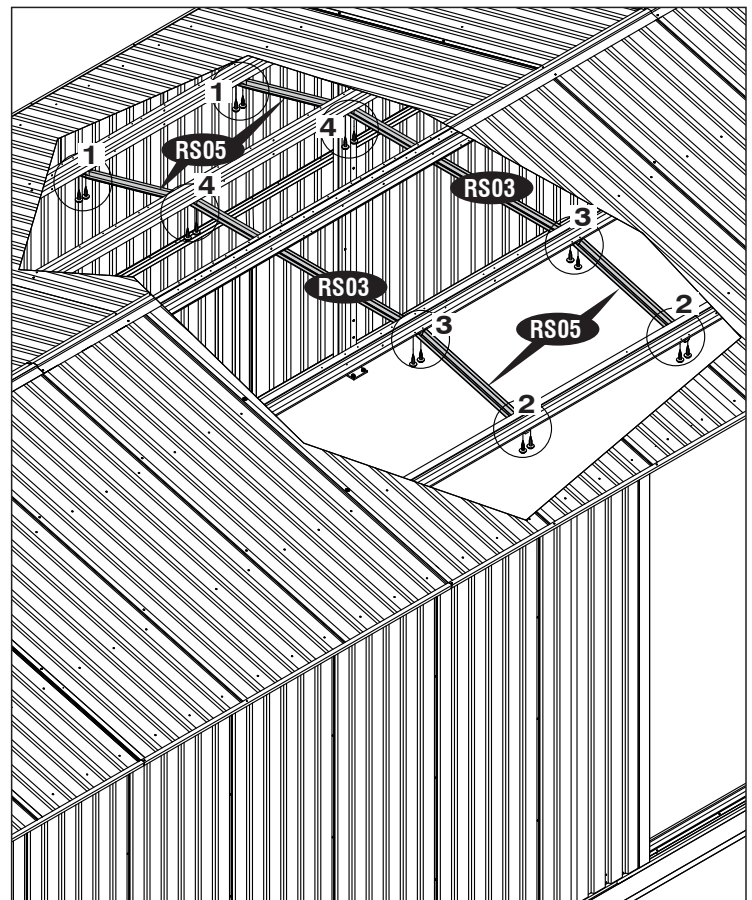
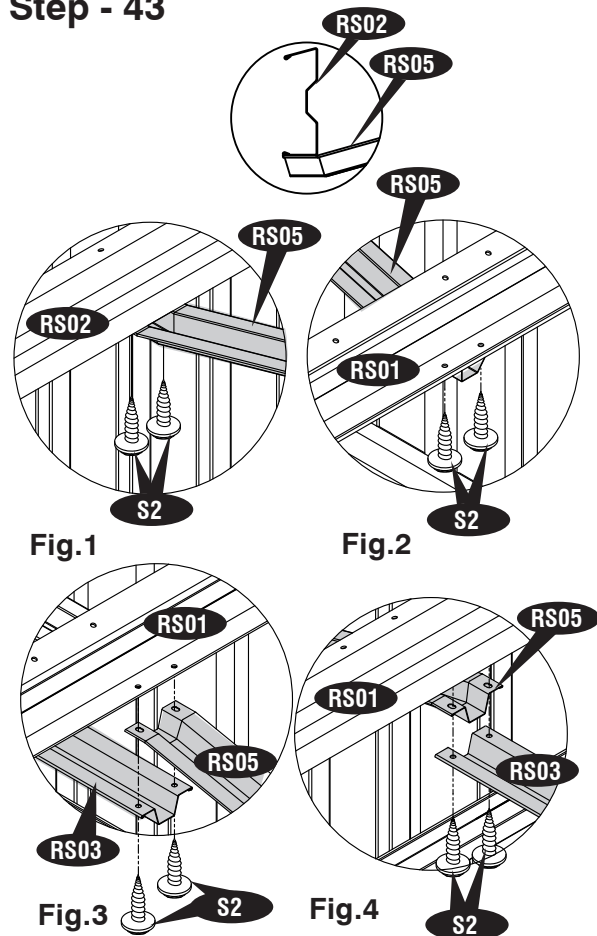
Back

IMPORTANT: USE HAND GLOVES TO PREVENT INJURY.

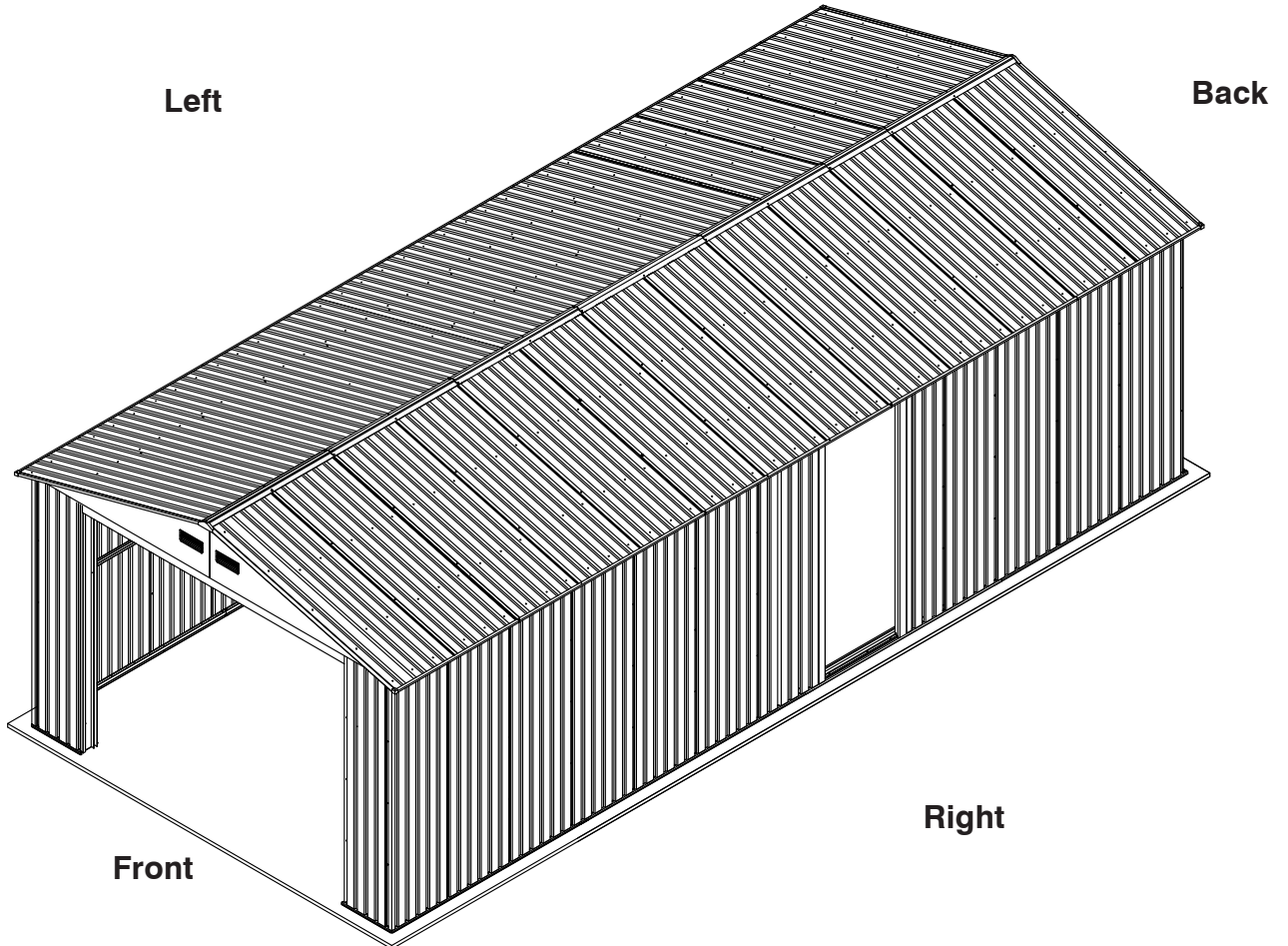
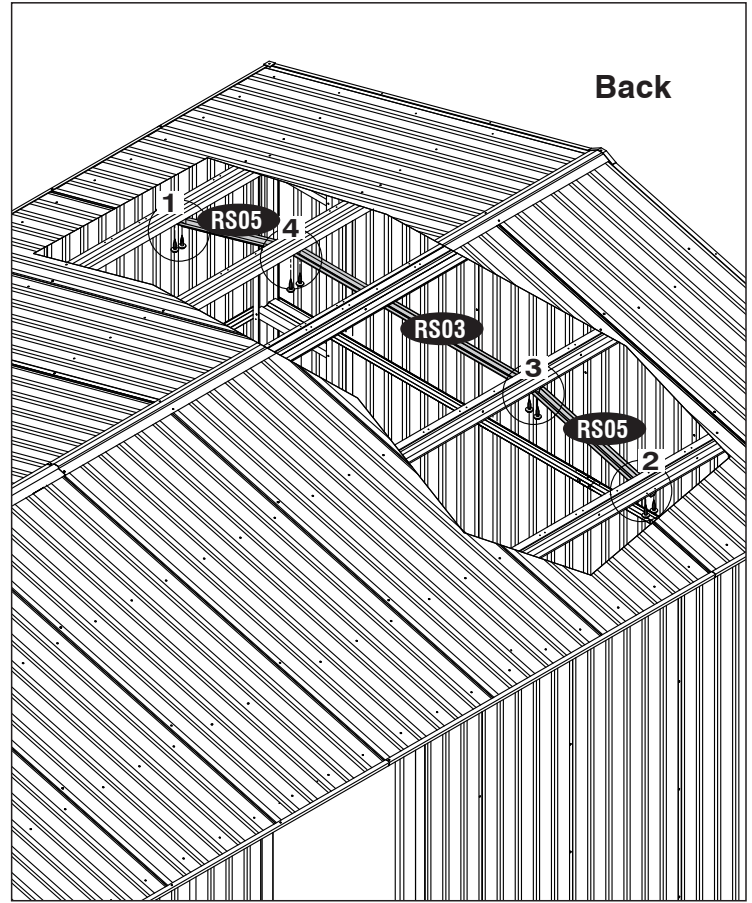
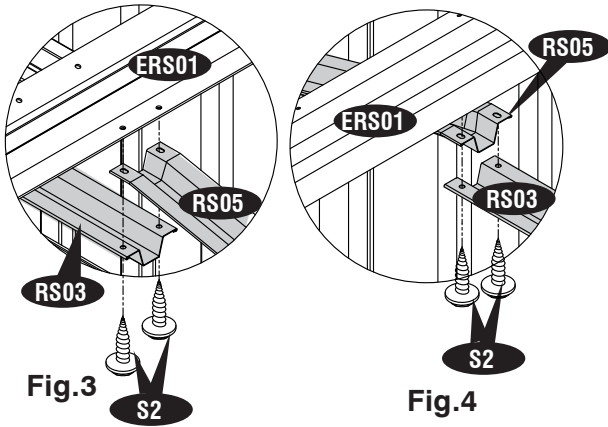
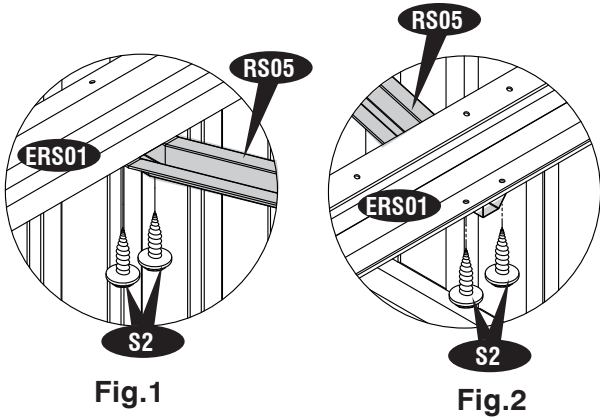
Step - 42



Step - 43



Step - 44



IMPORTANT: USE HAND GLOVES TO PREVENT INJURY.

G. Assembly and Installations of Front & Side Door

Parts Needed:

| Code | Qty | Code | Qty |
|------|-----|------|---------|
| SP01 | 2 | BS | 3 |
| SP02 | 1 | TS | 2 |
| SP03 | 1 | DH | 3 |
| DS01 | 1 | FDH | 2 |
| DS02 | 1 | CW | 1 |
| DS03 | 3 | CU | 2 |
| DP01 | 1 | STC | 5.1mtr |
| SD06 | 3 | S1 | 14 |
| BS15 | 2 | S2 | 4 |
| BS16 | 2 | S3 | 53 |
| BS17 | 1 | S9 | 6 |
| DF08 | 1 | PW | 50 |
| DF09 | 1 | PC | 7 Slabs |
| DF10 | 1 | | |

Step - 1

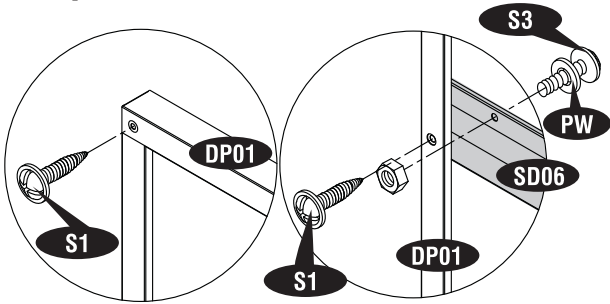
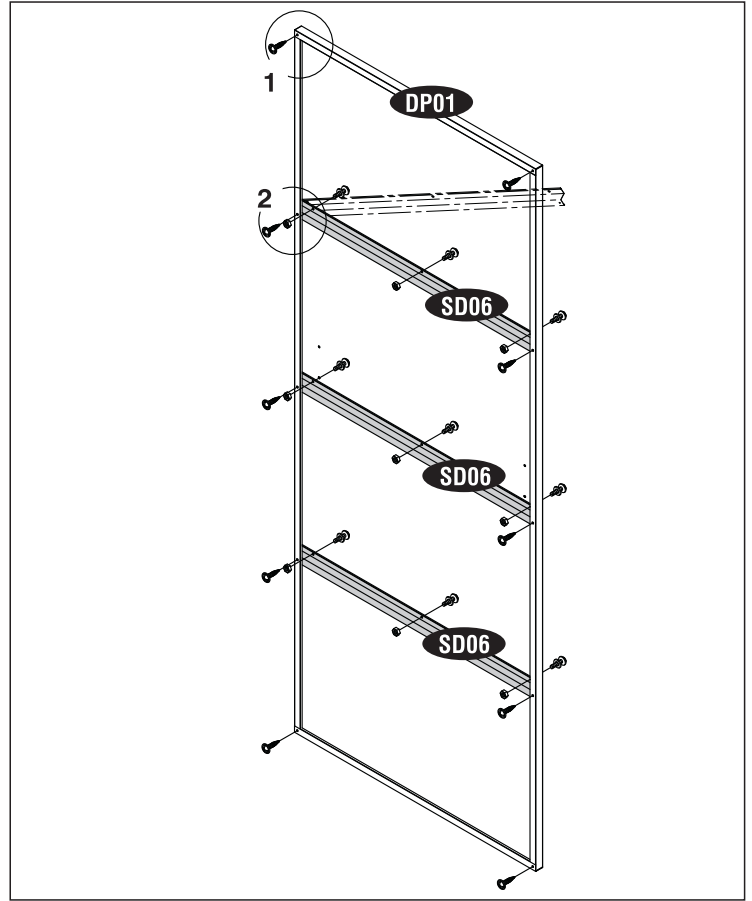


Fig.1

Fig.2



Step - 2

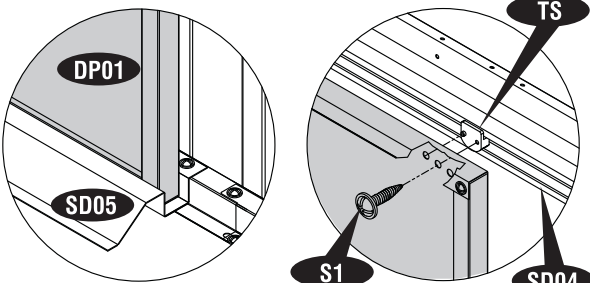
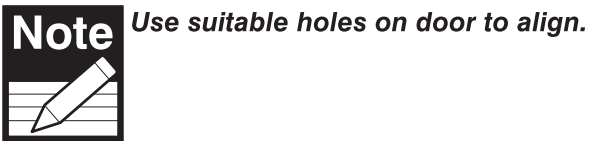


Fig.1

Fig.2

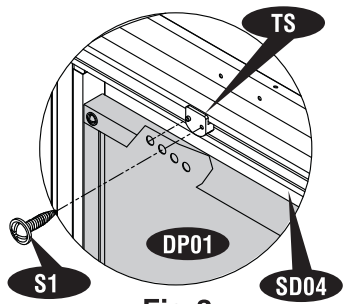
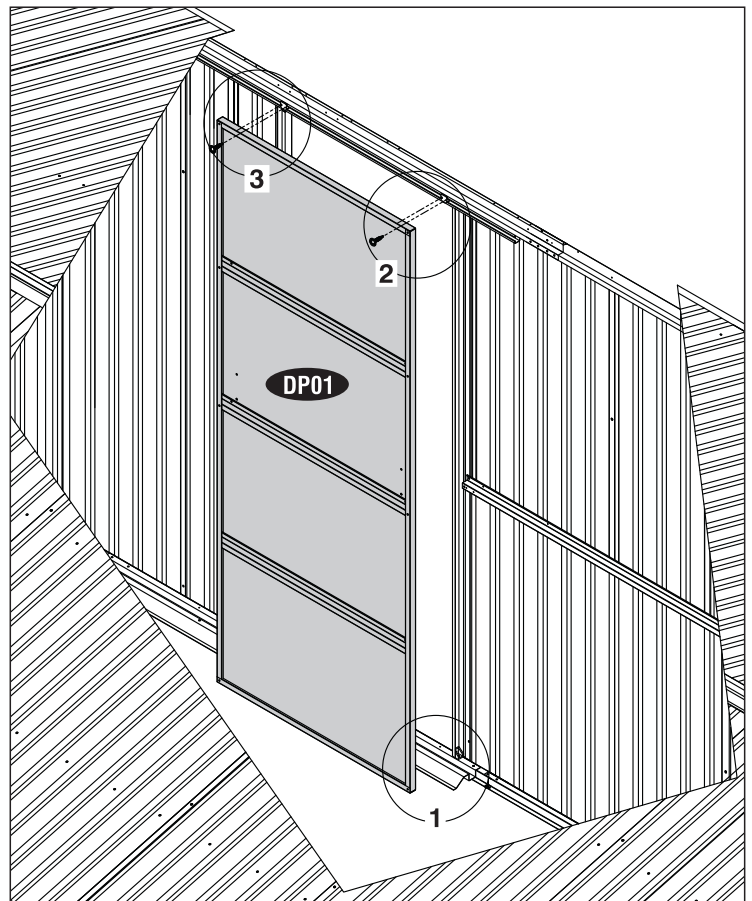


Fig.3



Step - 3

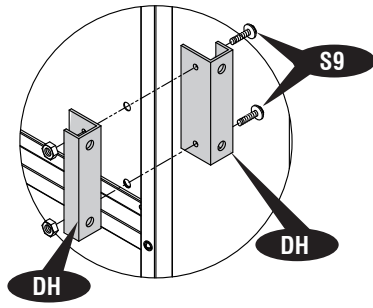


Fig.1

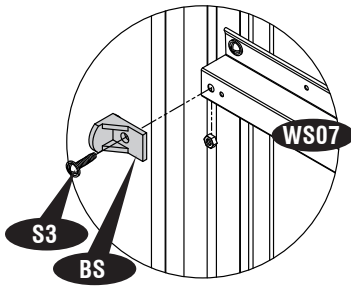
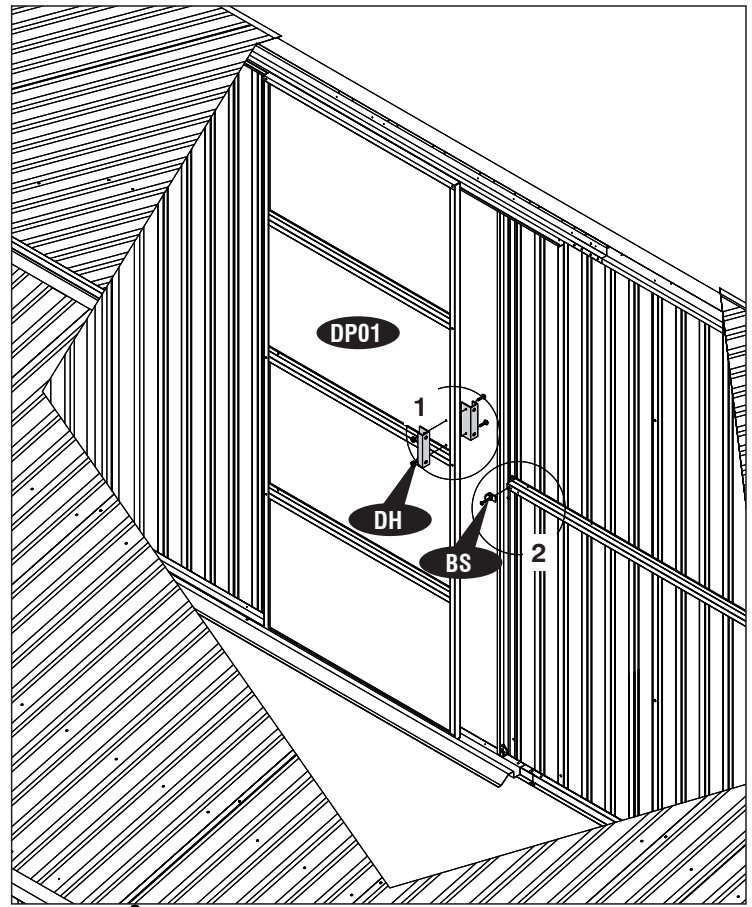


Fig.2



Step - 4

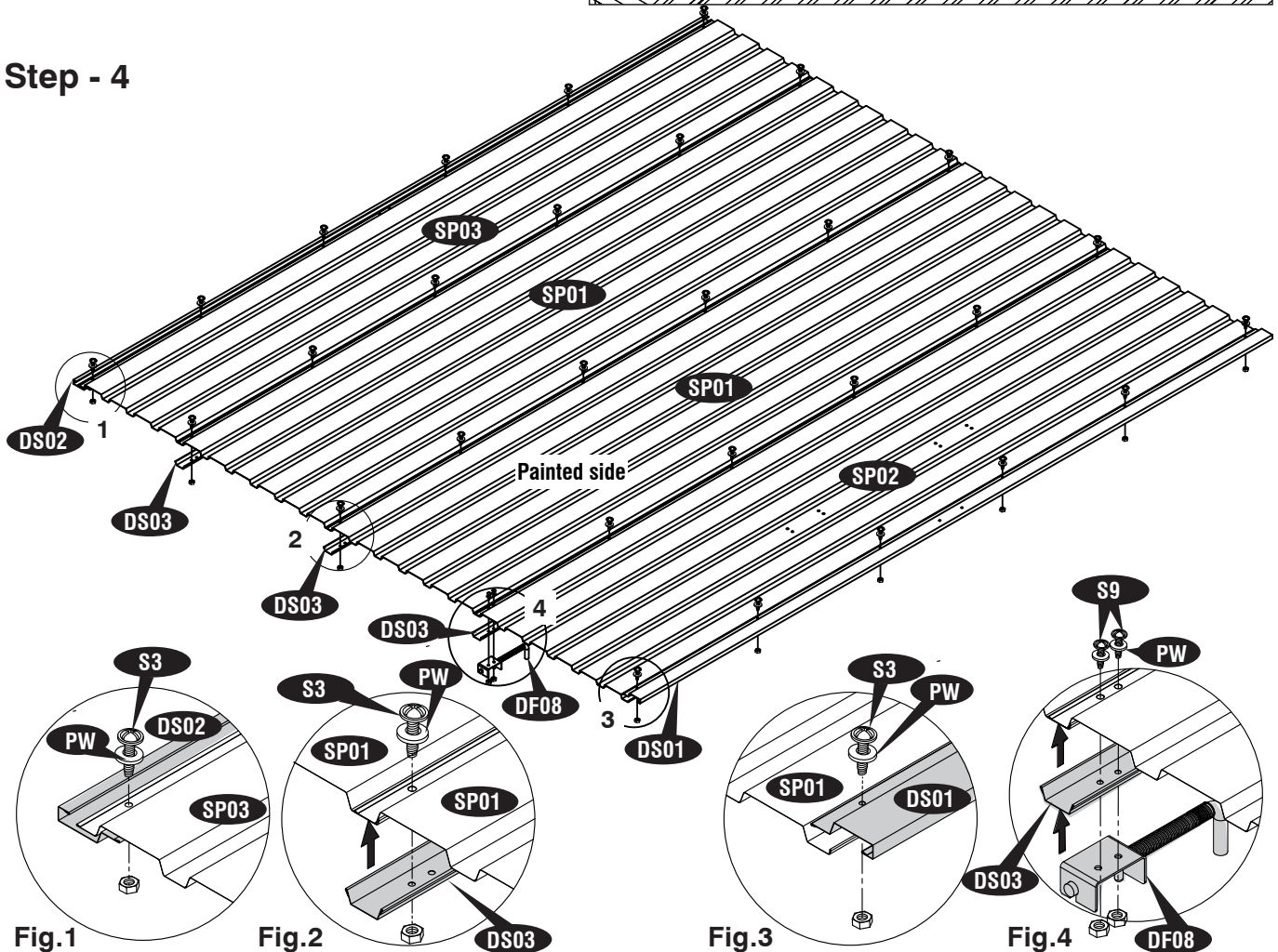


Fig.1

Fig.2

Fig.3

Fig.4

IMPORTANT: USE HAND GLOVES TO PREVENT INJURY.

Step - 5

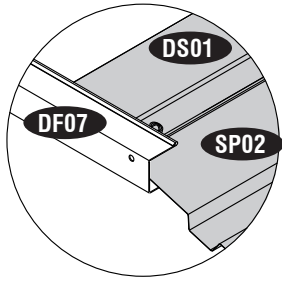


Fig.1

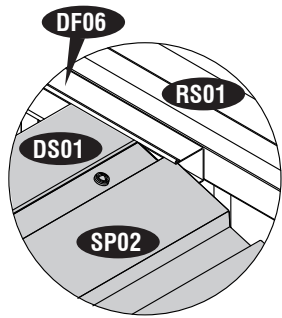
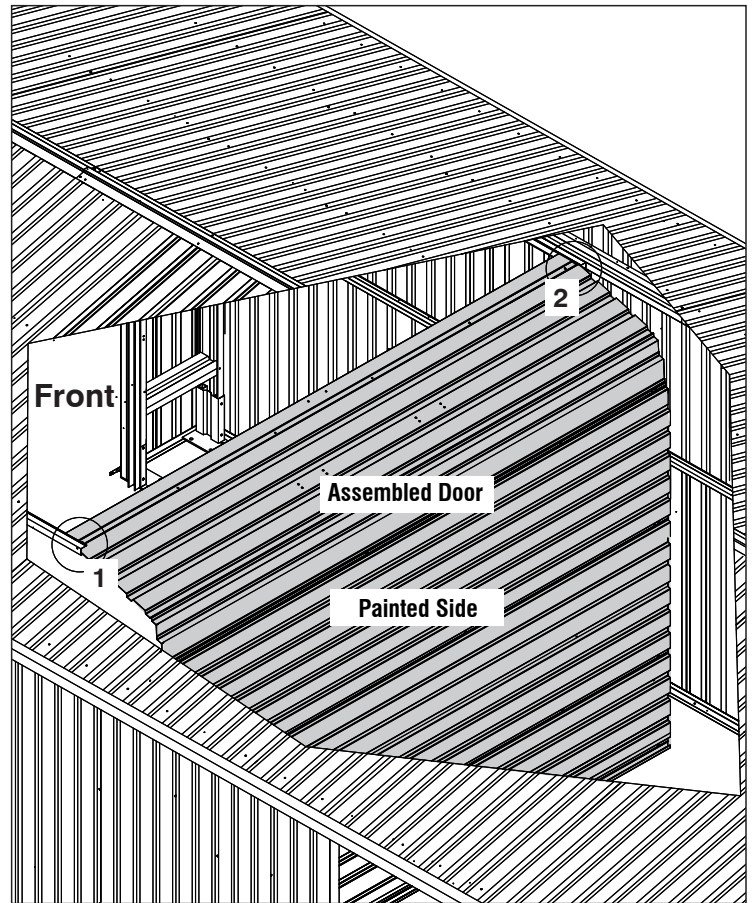


Fig.2



Step - 6

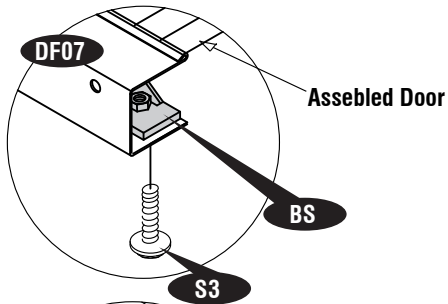


Fig.1

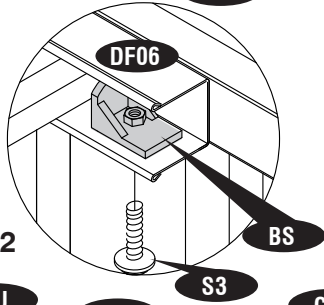


Fig.2

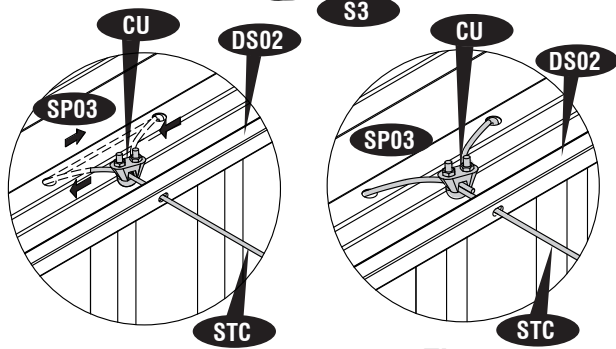
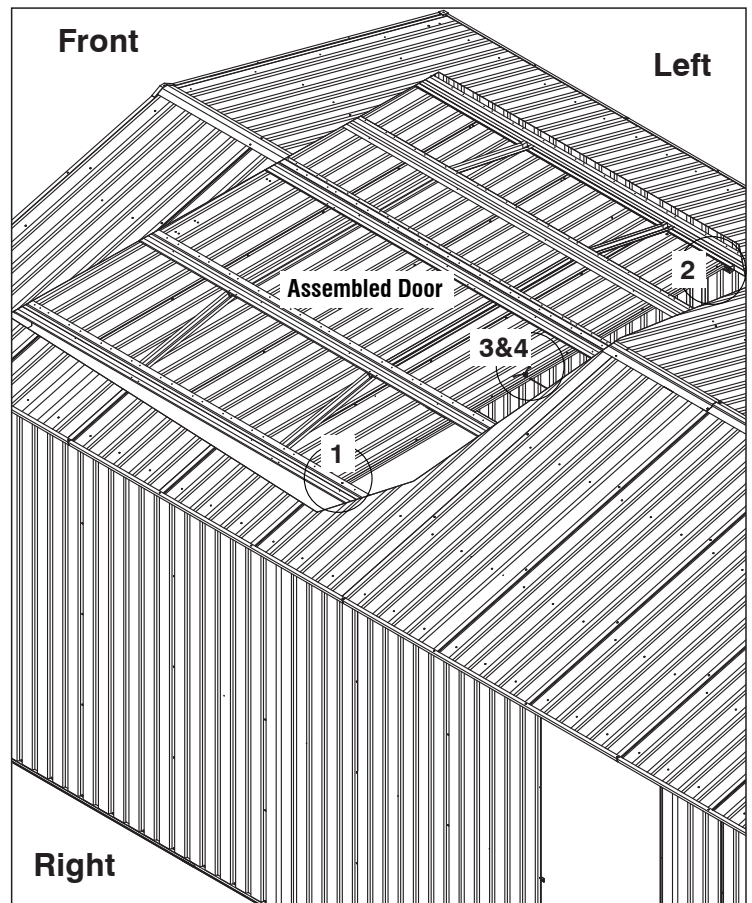


Fig.3

Fig.4



IMPORTANT: USE HAND GLOVES TO PREVENT INJURY.

Step - 7

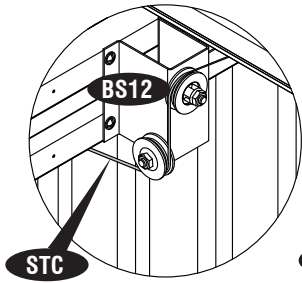


Fig.1

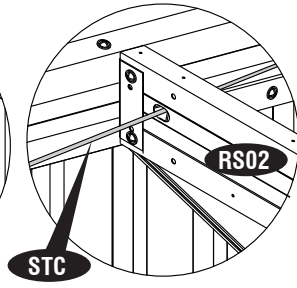


Fig.2

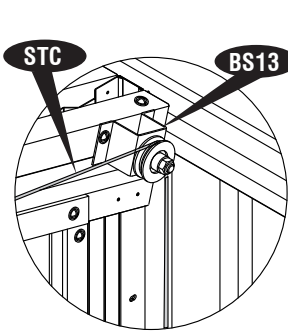


Fig.3

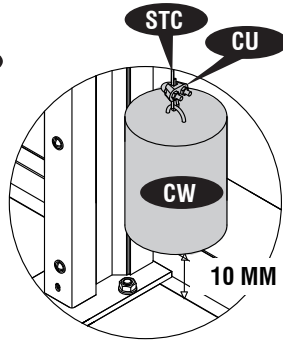
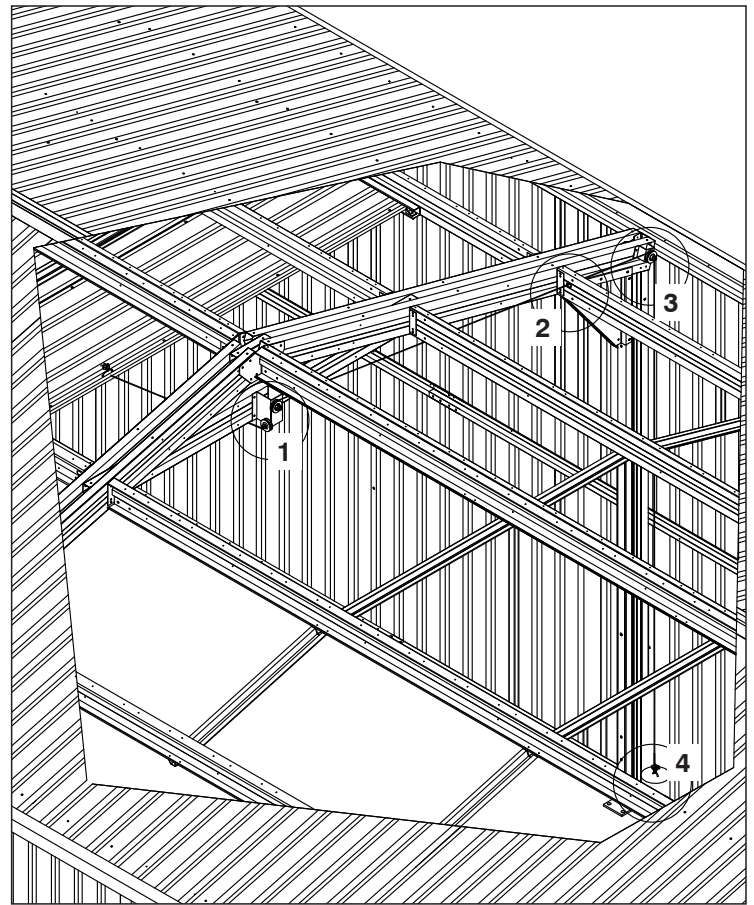


Fig.4



Step - 8

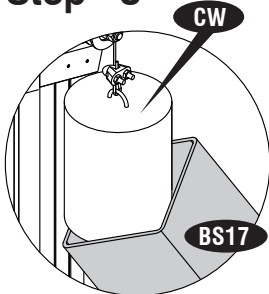


Fig.1

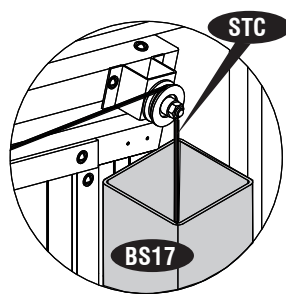


Fig.2

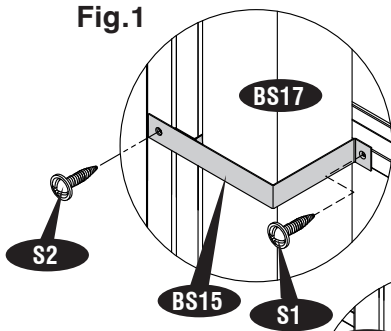


Fig.3

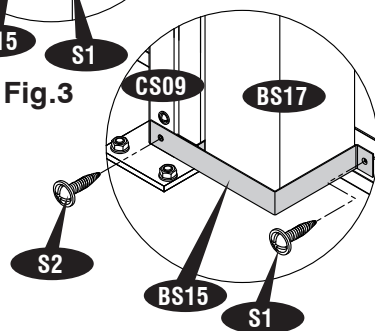
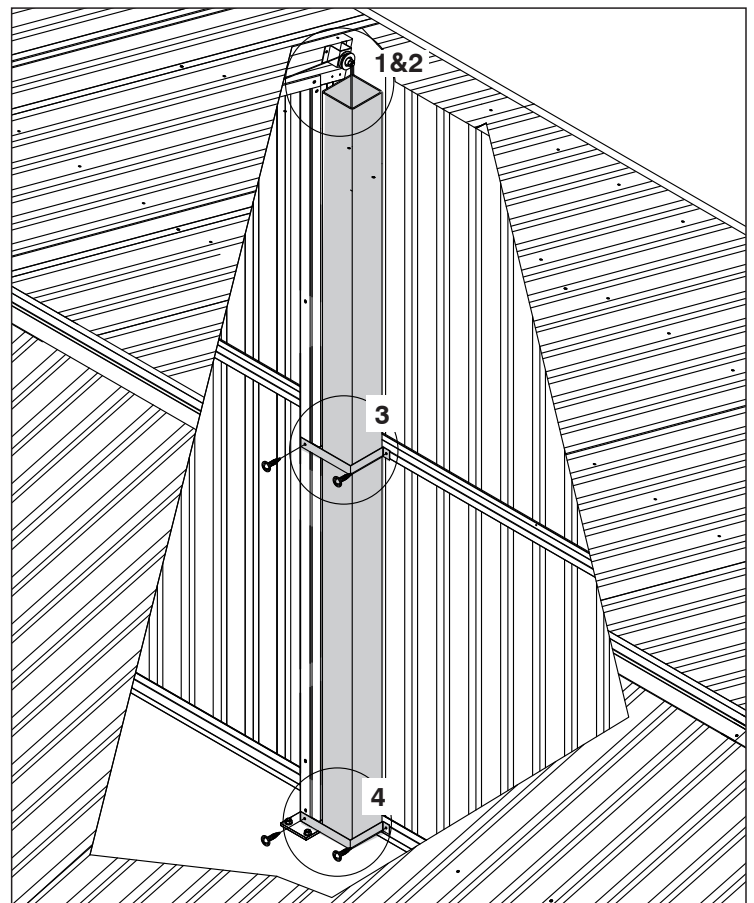


Fig.4



Step - 9

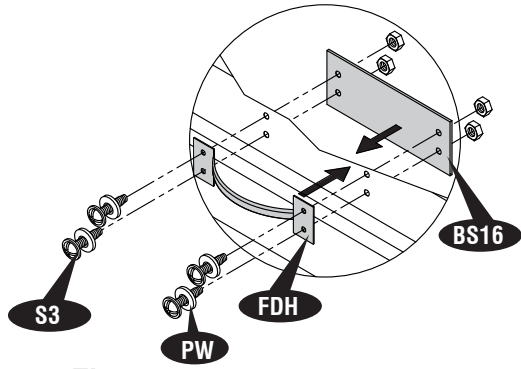


Fig.1

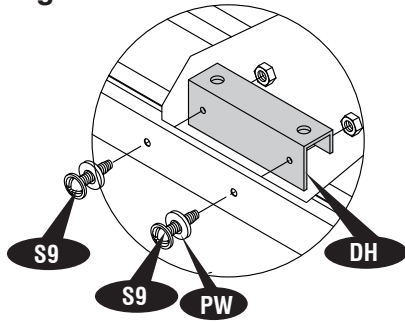
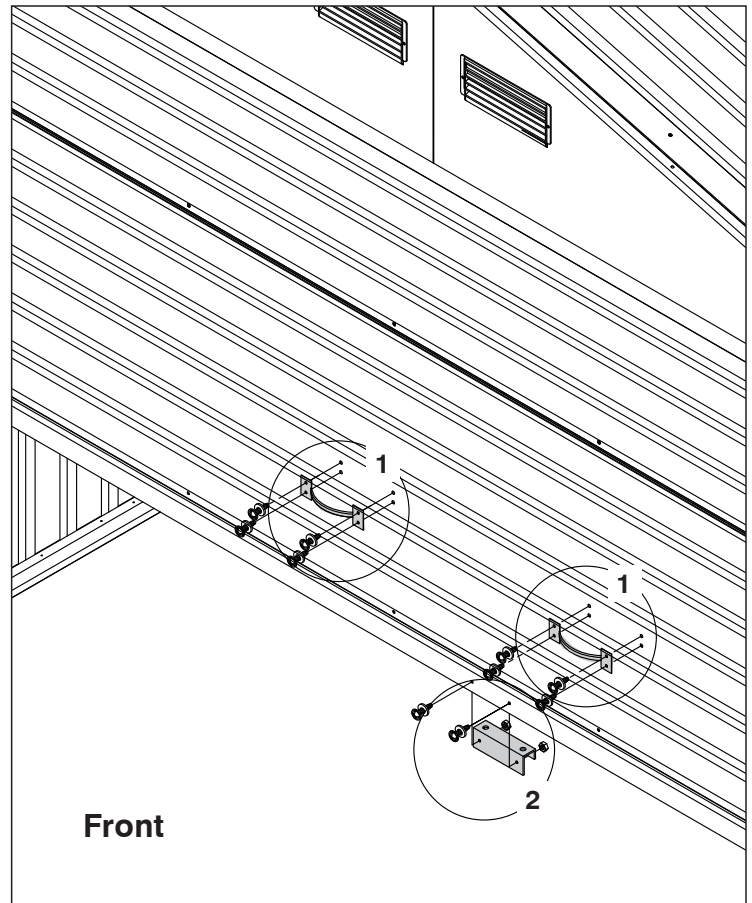


Fig.2



Step -10

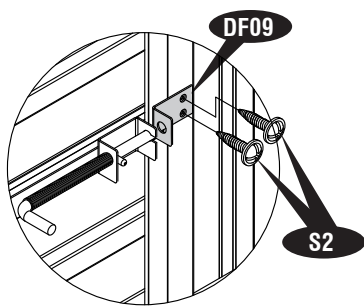
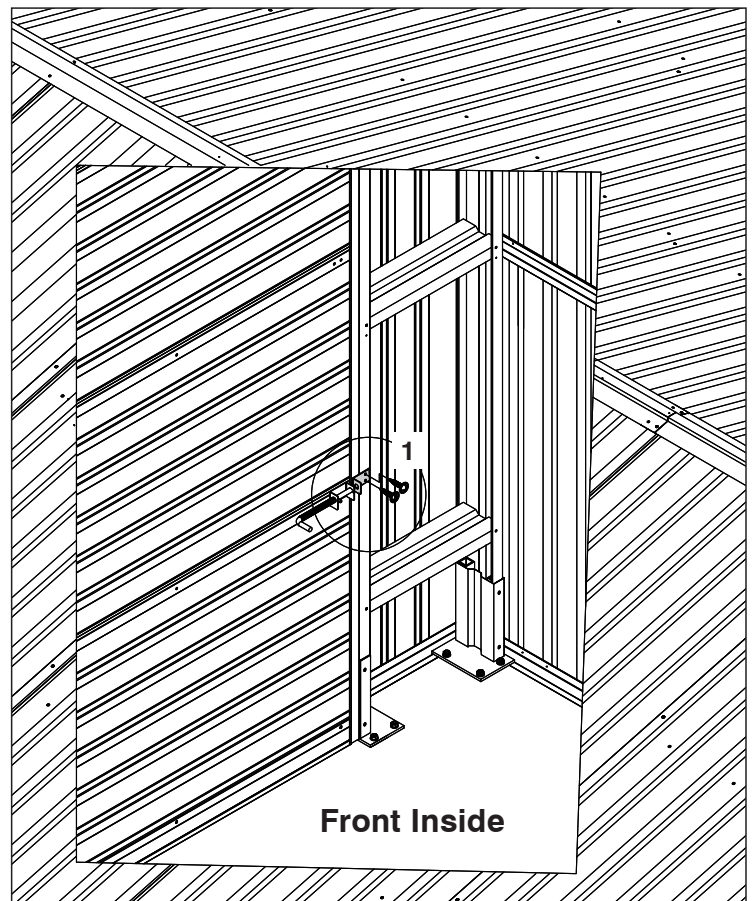
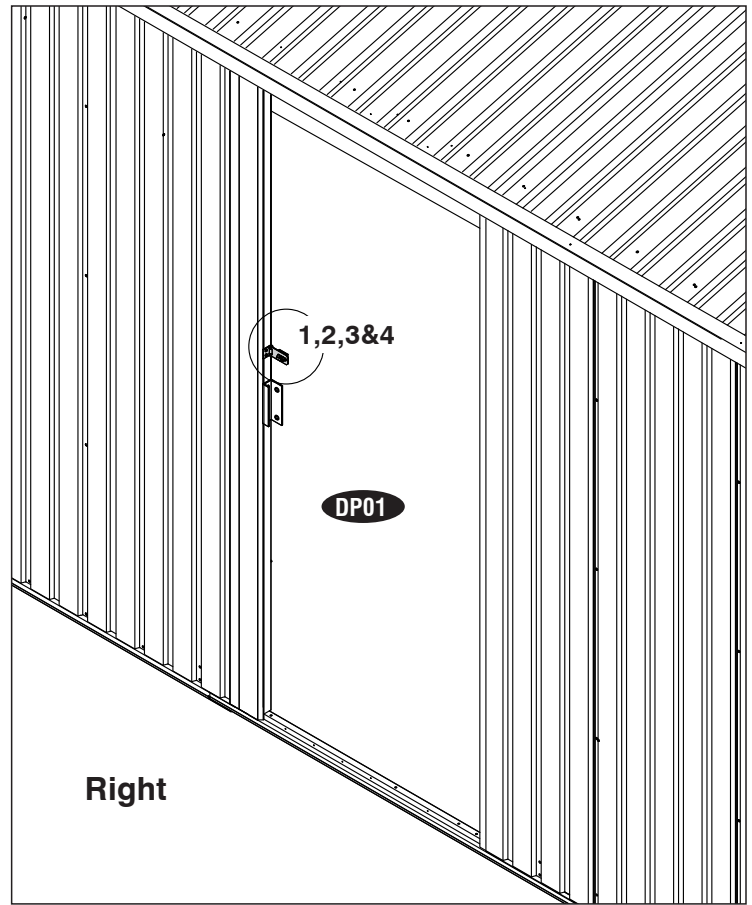
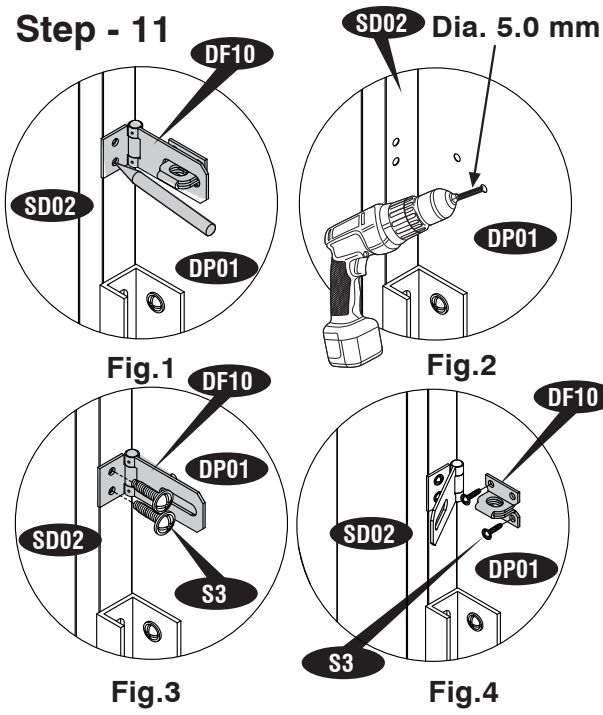


Fig.1

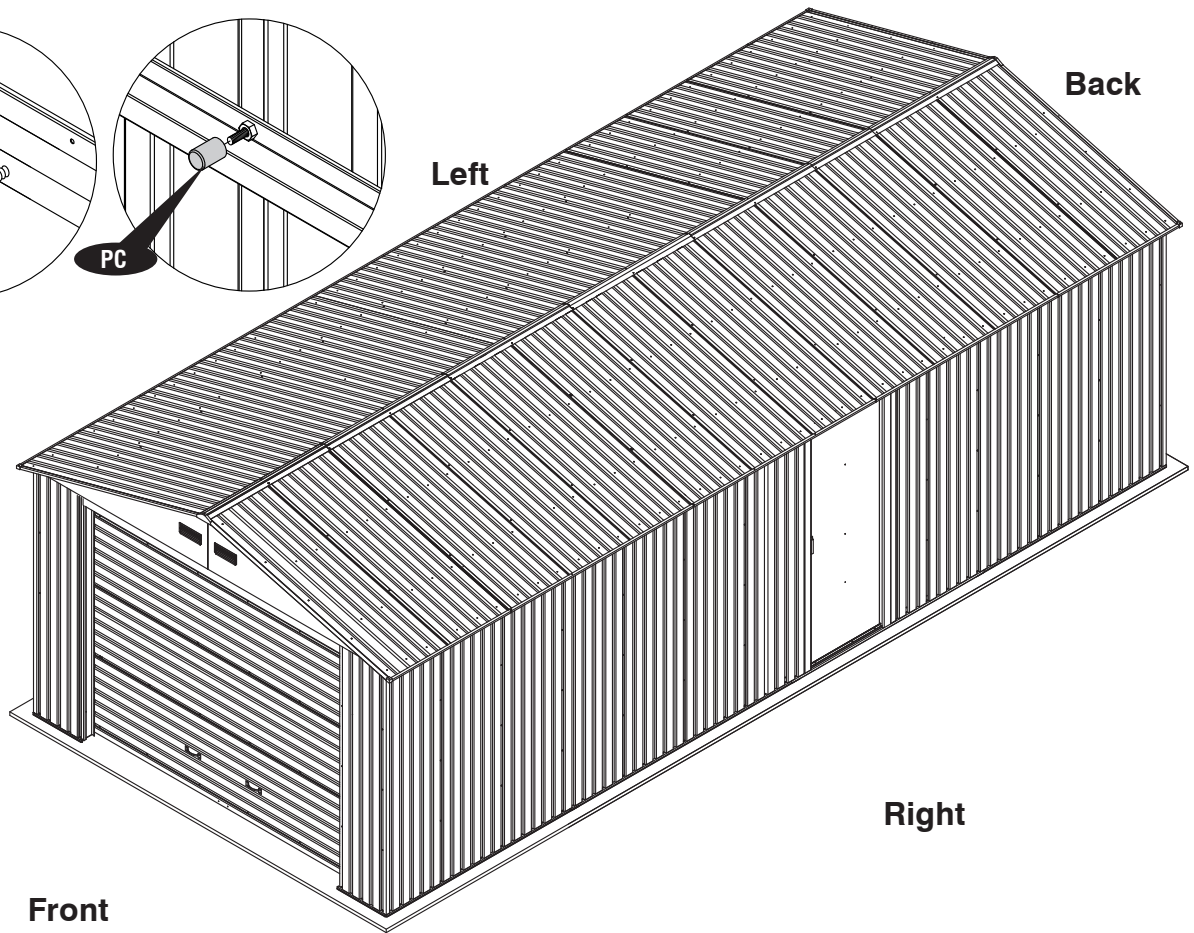
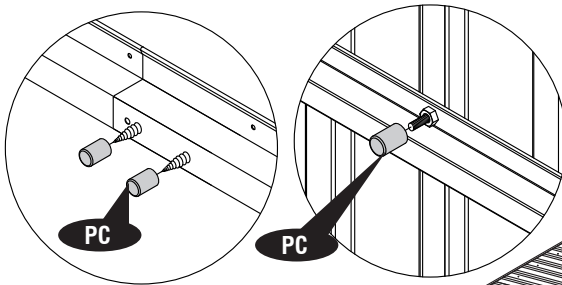


Step - 11

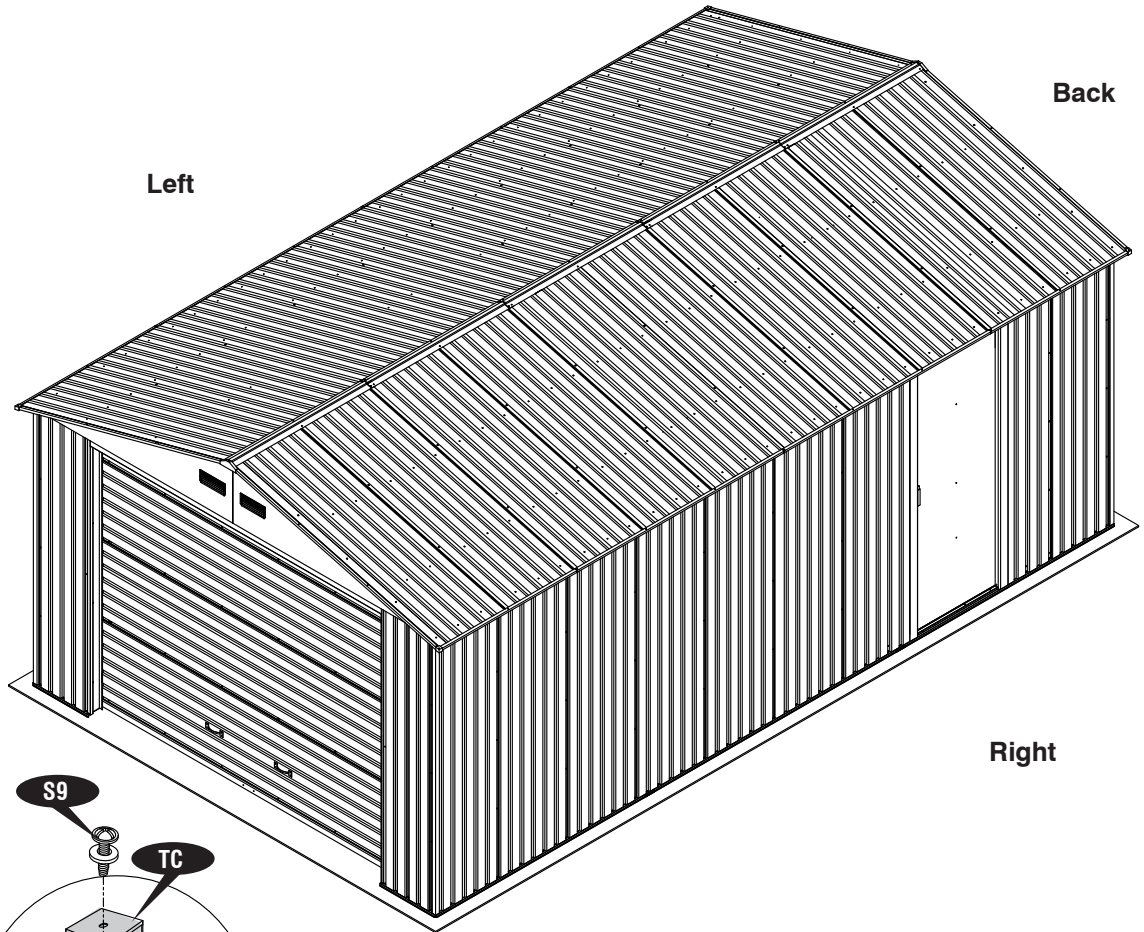


IMPORTANT
Step - 12

Fix the plastic screw cover (PC) to the screws and bolts edge from inside to prevent injury.



PART 2 : Adding Extension Kit to Existing Shed



Front
Step - 1

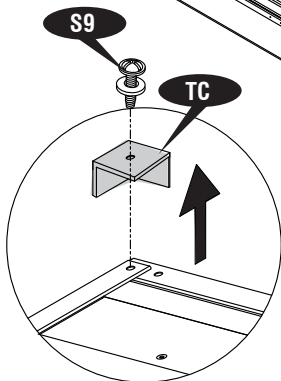


Fig.1

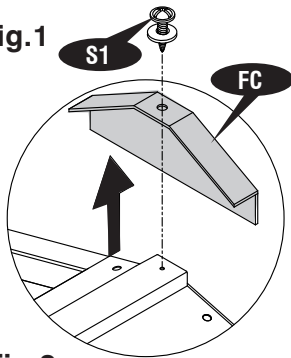


Fig.2

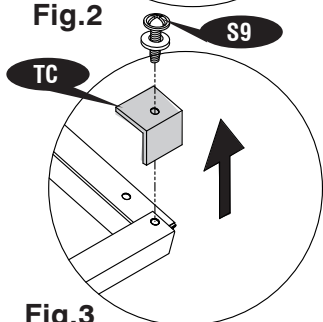
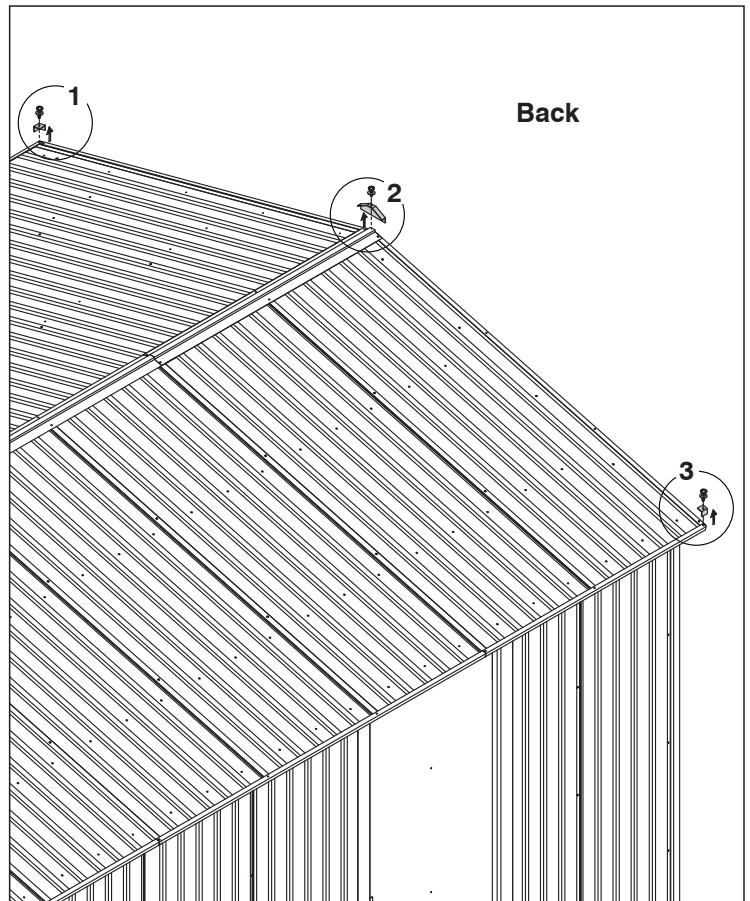


Fig.3



IMPORTANT: USE HAND GLOVES TO PREVENT INJURY.

Step - 2

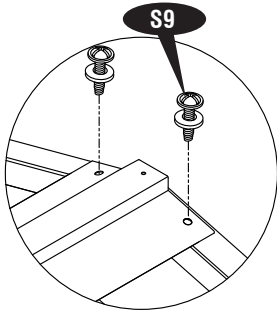


Fig.1

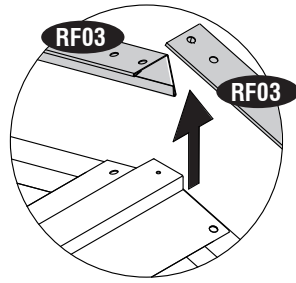


Fig.2

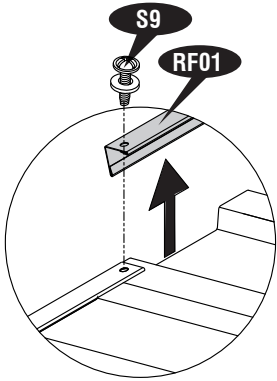


Fig.3

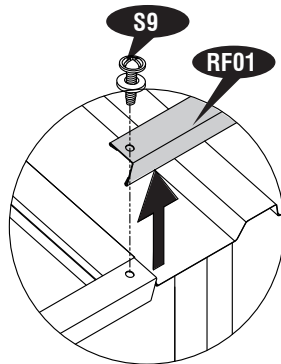
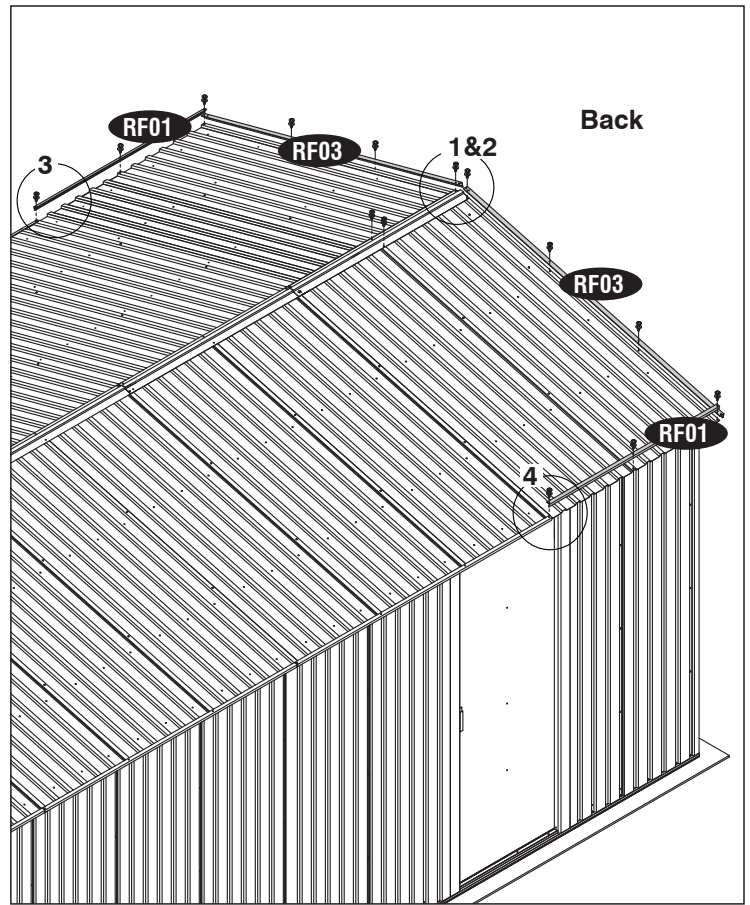
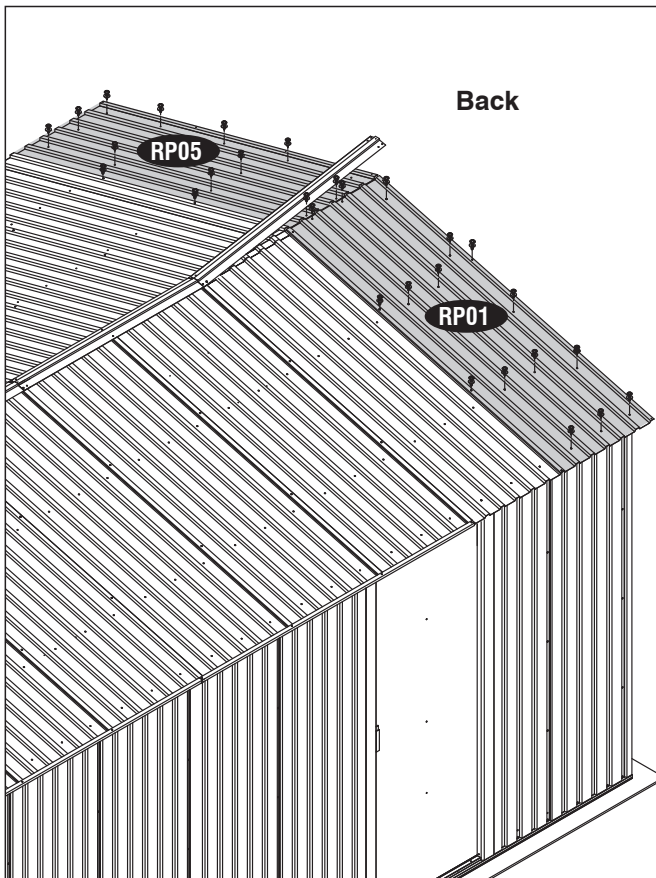


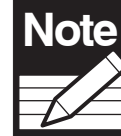
Fig.4



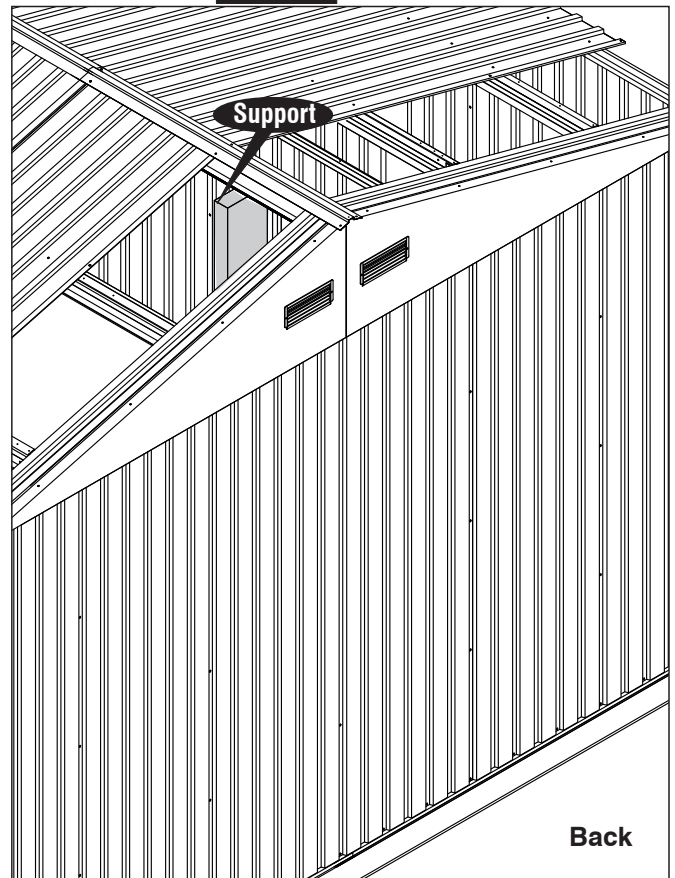
Step - 3



Step - 4

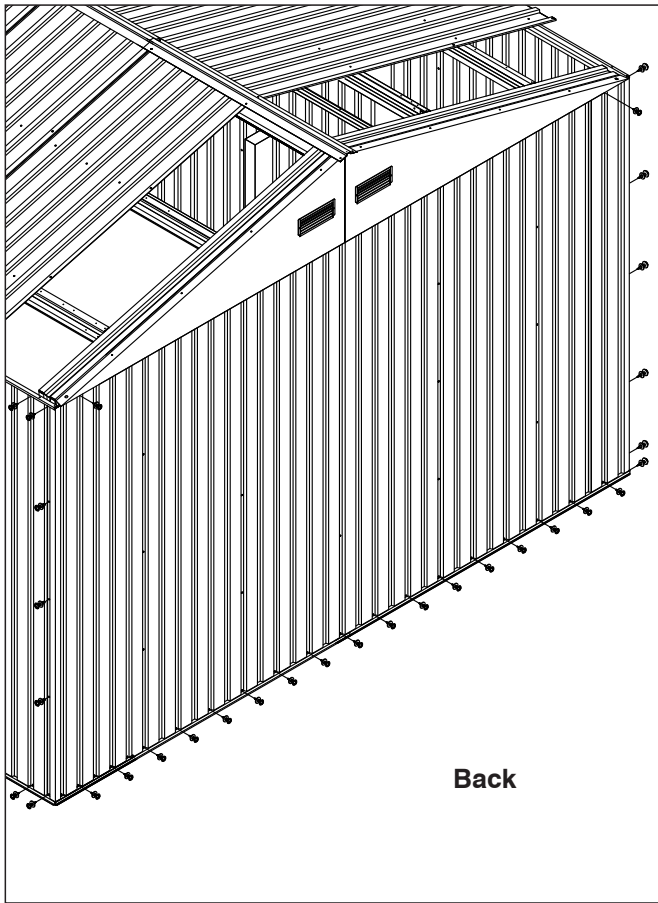


Support not included.

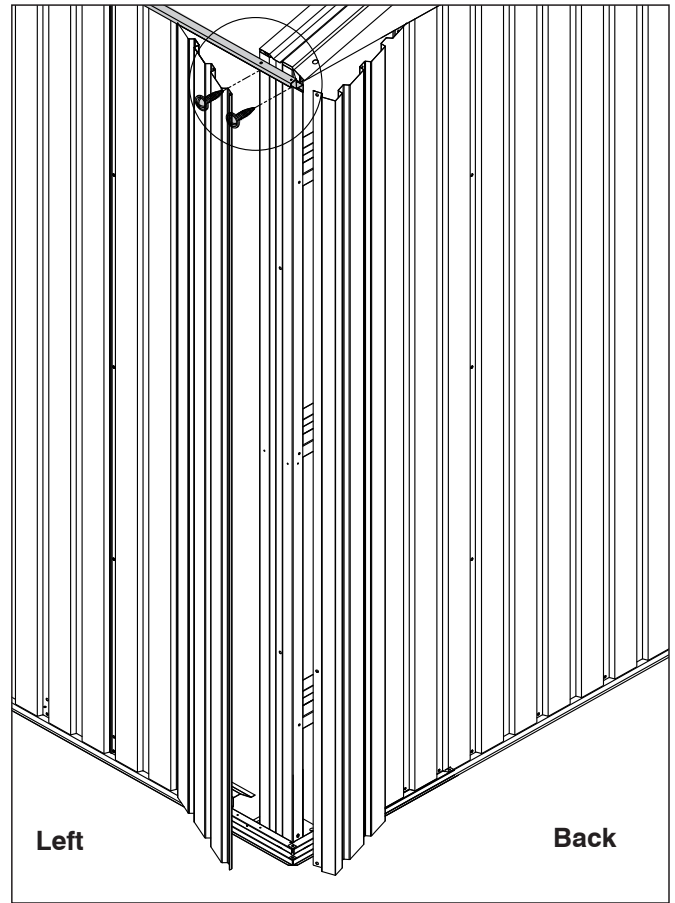


IMPORTANT: USE HAND GLOVES TO PREVENT INJURY.

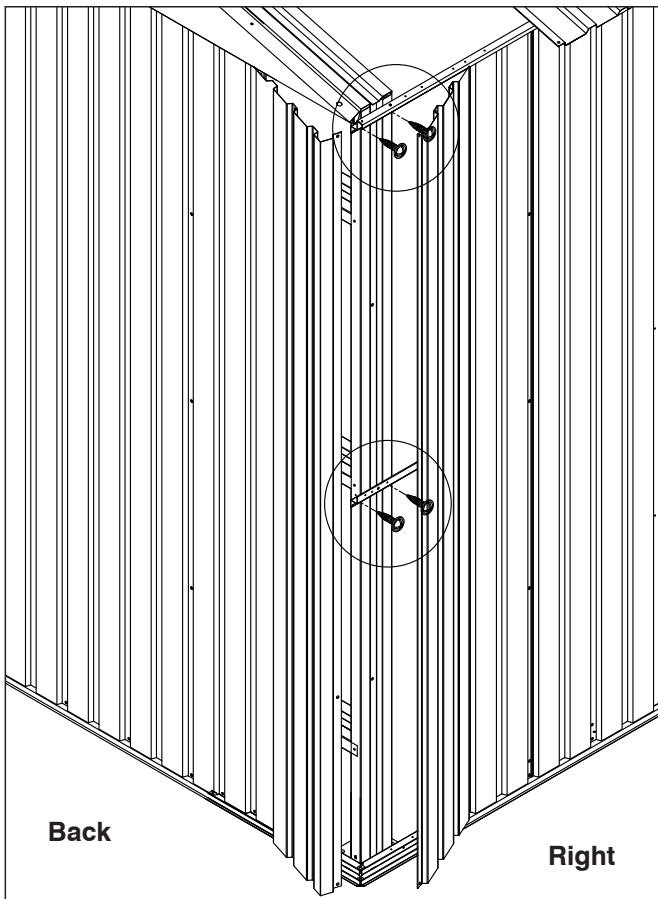
Step - 5



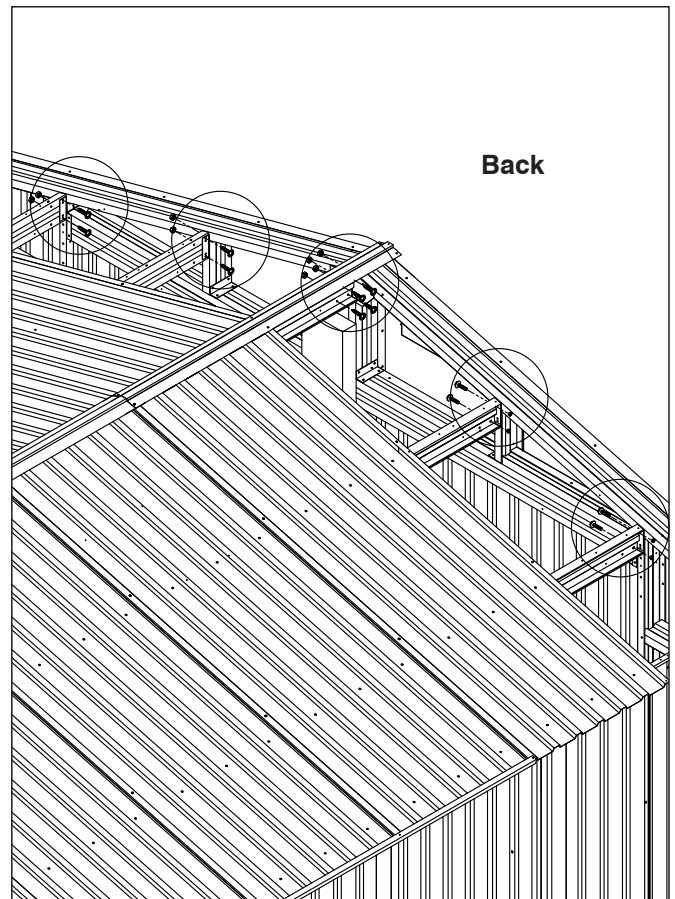
Step - 6



Step - 7



Step - 8



IMPORTANT: USE HAND GLOVES TO PREVENT INJURY.

Step - 9

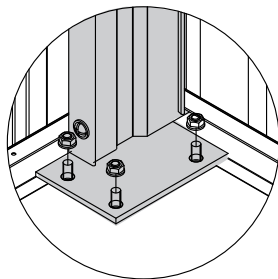


Fig.1

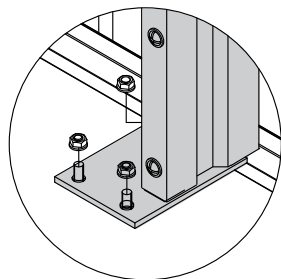


Fig.2

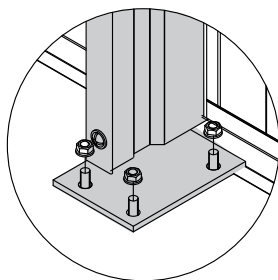


Fig.3

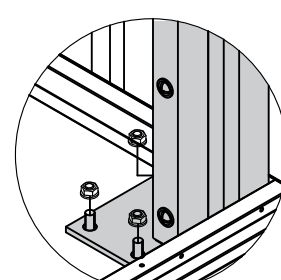
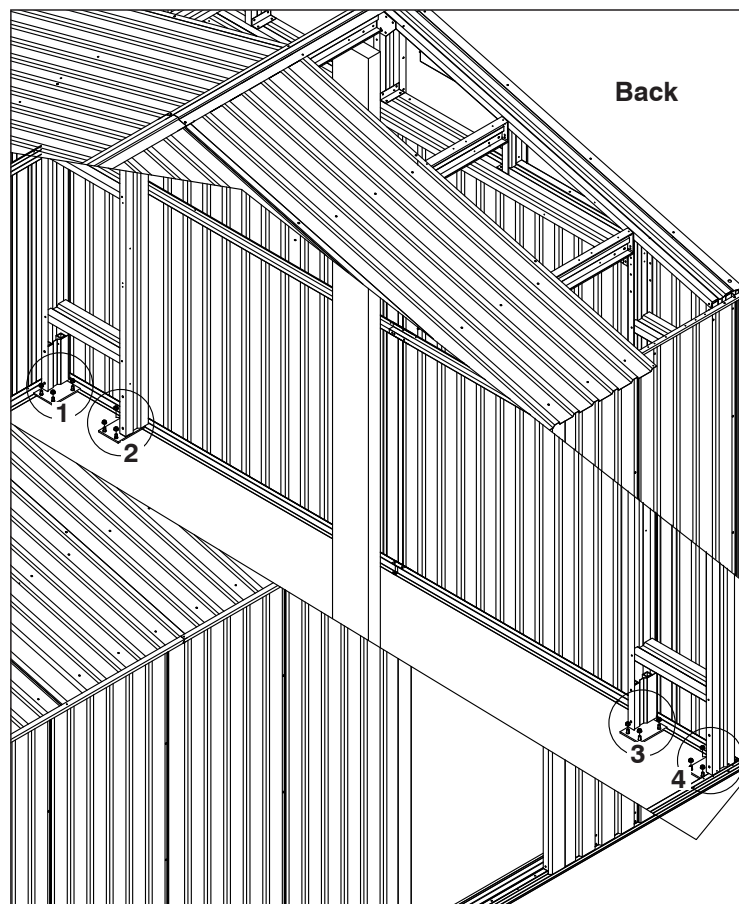
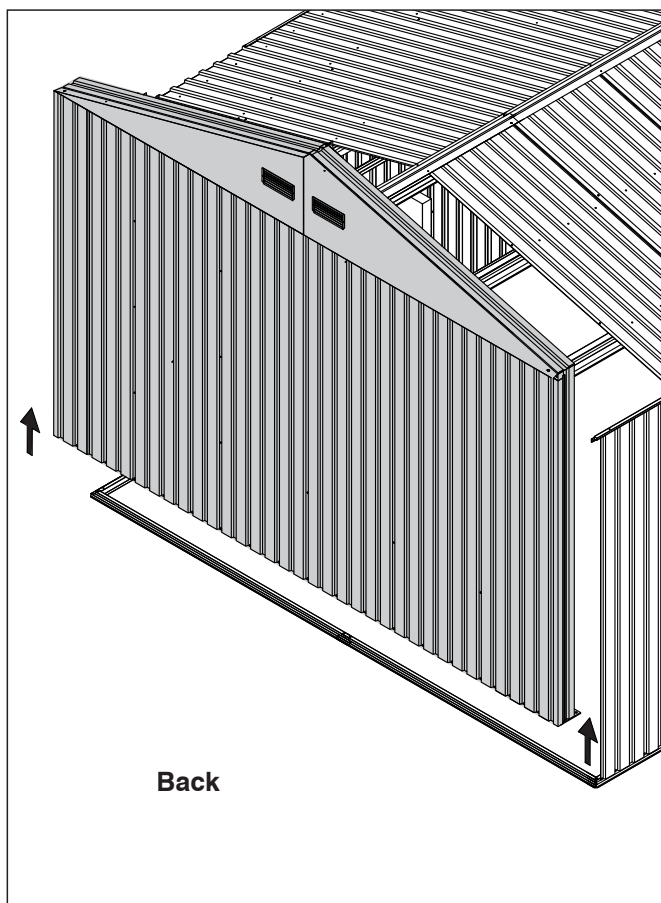


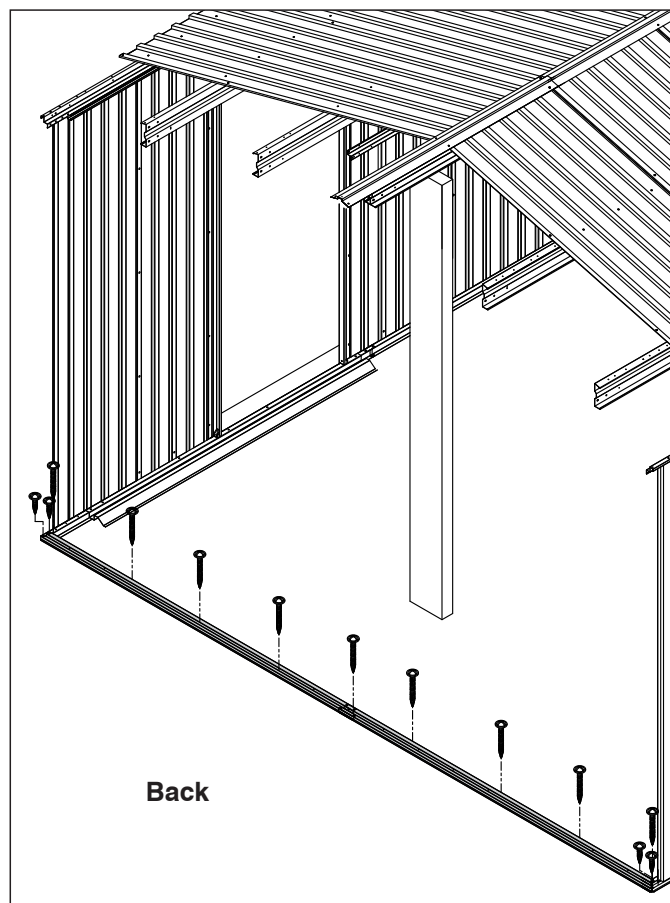
Fig.4



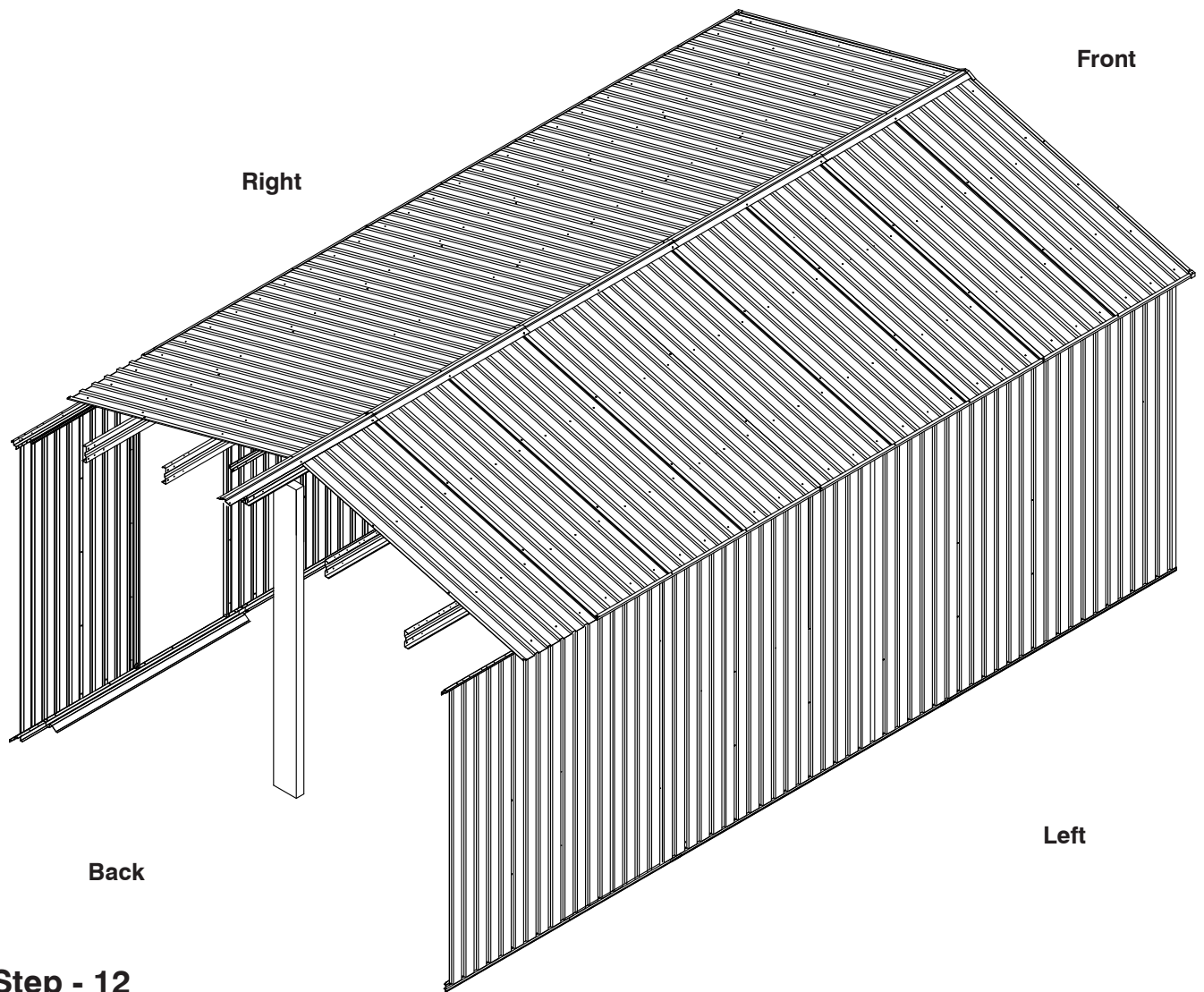
Step - 10



Step - 11



IMPORTANT: USE HAND GLOVES TO PREVENT INJURY.



Step - 12

Come back to 12'x20' MetalGarage Extension Kit manual (PART-1) and follow the steps



U.S. Polymers, Inc.
1057 S. Vail Ave
Montebello, CA 90640,
United States of America