

Metal Garage

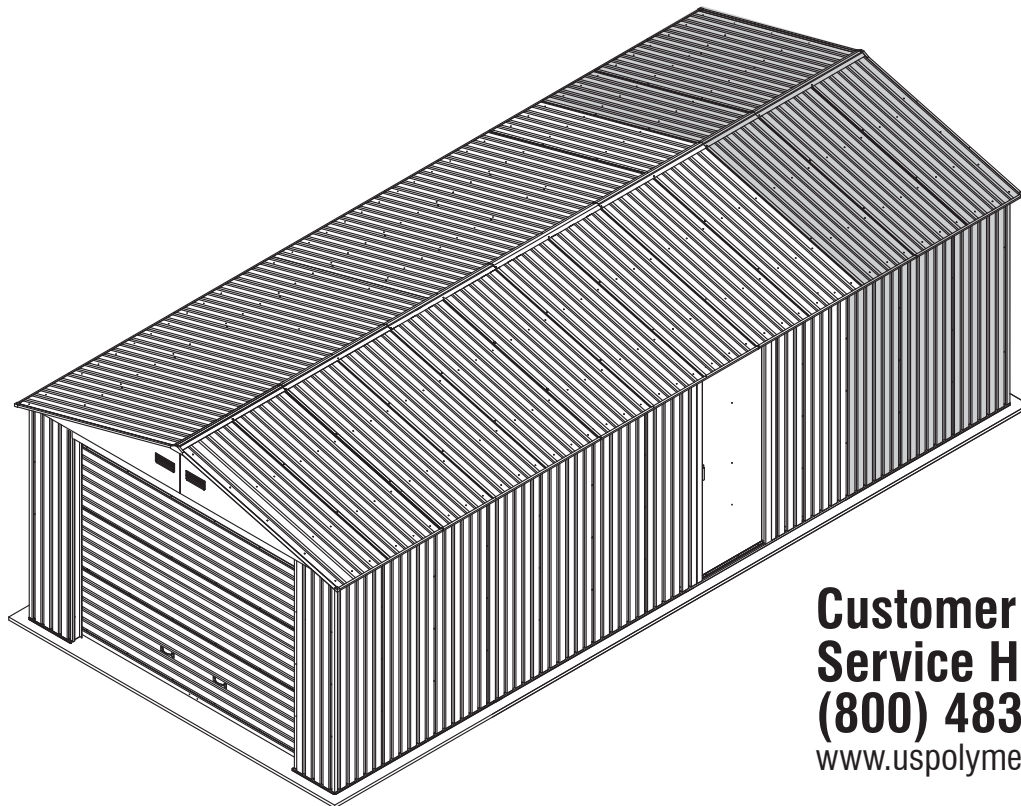
OWNER'S MANUAL /

Instructions for Assembly

Size 12 Ft x 20 Ft / 3.7 Mtr. x 6.1 Mtr. with

12 Ft x 6 Ft / 3.7 Mtr. x 1.8 Mtr. (Approx.) "Extension Kits"

Ver: 2.0



**Customer
Service Hotline**
(800) 483-4674
www.uspolymersinc.com

- Tall Walk in Garages
- Quick and Easy Assembly
- Ridge Reinforced Walls
- Wide Single Front Shutter Door

**PART 1
ASSEMBLING SHED WITH EXTENSION KIT
PART 2
ADDING EXTENSION KIT TO EXISTING SHED**

Call us for any missing or damaged parts.
Do not return to the store.

Building Dimensions :									
Approximate Size	Storage		Exterior Dimension				Interior Dimension		
	Area	Volume	Base Dimension		Roof Edge to Edge		Wall to Wall		
			inch	cm.	inch	cm.	inch	cm.	
12 Ft x 6 Ft	62 7/8 Sq. Ft.	438 1/8 Cu.Ft.	Width	138 1/8	350	145	368.2	127 1/2	324
3.7 Mtr. x 1.8 Mtr.	5.8 Sq.Mtr.	12.4 Cu.Mtr.	Depth	71	180	71	180.2	71	180
			Height			102	259	83 5/8	212.5

Note - Basic shed dimensions are available in basic shed manual.

Duramax Garages Limited Ten Year Warranty

U.S. Polymer Inc. will send a replacement part free of charge, in the event of material defects and or workmanship for a period of ten years from the date of purchase.

This warranty is extended only to the original purchaser. A purchase receipt or other proof of date of original purchase will be required before warranty service is rendered. In no event shall we pay the cost of flooring, labor, installation or any other costs related thereto.

This warranty only covers failures due to defects in material or workmanship which occurs during normal use and does not extend to color change arising due to normal weathering or to damage resulting from misuse or neglect, commercial use, failure to follow assembly instructions and the owner's manual (including proper anchoring of the shed), painting, forces of nature and other causes which is beyond our control.

Claims under this warranty must be made within the warranty period by calling 1-800-483-4674 or mail in a dated sales slip and clear photograph of the part to:

U.S. Polymers, Inc.
1057 S.Vail Ave Montebello,
CA 90640

We reserve the right to discontinue or change components. If a component has been discontinued or is not available, U.S. Polymers, Inc. reserves the right to substitute a component of equal quality as may be compatible.

Limits and Exclusions

There are no express warranties except as listed above. The warrantor shall not be liable for incidental or consequential damages resulting from the use of this product, or arising out of any breach of this warranty. All express warranties are limited to the warranty period set forth above. Some states do not allow the exclusion or limitation on how long an implied warranty lasts, so the above limitations may not apply to you.

This warranty gives you specific legal rights and you may also have other rights which vary from state to state or country to country.

IMPORTANT: USE HAND GLOVES TO PREVENT INJURY.

12'x20' Parts List



Note: Check all parts prior to installation.

ITEM	CODE	DESCRIPTION	QTY	ITEM	CODE	DESCRIPTION	QTY
1	BC01	BASE CHANNEL SIDE LEFT & RIGHT	4	63	CS13	TRIANGULAR PLATE LEFT	2
2	BC02	BASE CHANNEL SIDE LEFT & RIGHT	2	64	CS14	TRIANGULAR PLATE RIGHT	2
3	BC03	BASE CHANNEL BACK LEFT	1	65	DF01	DOOR FLASHING (TOP)	1
4	BC04	BASE CHANNEL BACK RIGHT	1	66	DF02	DOOR FLASHING SIDE (RIGHT)	1
5	BC05	BASE CHANNEL FRONT LEFT & RIGHT	2	67	DF03	DOOR FLASHING SIDE (LEFT)	1
6	FS01	CENTER COLUMN PROFILE FRONT & BACK / LEFT & RIGHT	4	68	SD03	SLIDING CHANNEL COVER	1
7	FS02	CORNER COLUMN PROFILE FRONT & BACK / LEFT & RIGHT	4	69	BS01	SHUTTER DOOR RUNNER	2
8	FS03	COLUMN SUPPORT CENTER FRONT & BACK / LEFT & RIGHT	12	70	BS05	TRIANGULAR PLATE OUTER FRONT & BACK	2
9	FS04	HORIZONTAL TOP SUPPORT FRONT & BACK	4	71	BS06	TRIANGULAR PLATE INNER LEFT	2
10	FS05	TOP CHORD FRONT & BACK	4	72	BS07	TRIANGULAR PLATE INNER RIGHT	2
11	FS06	TOP CHORD SUPPORT FRONT & BACK	4	73	DP01	SIDE DOOR PANEL WITH SLIDING WHEEL	1
12	FS07	COLUMN SUPPORT BOTTOM FRONT & BACK / LEFT & RIGHT	8	74	GP01	GABLE PANEL FRONT RIGHT / BACK LEFT	2
13	FS08	TOP CHORD SUPPORT SHORT FRONT & BACK	4	75	GP02	GABLE PANEL FRONT LEFT / BACK RIGHT	2
14	FS09	GABLE PANEL SUPPORT FRONT LEFT & BACK RIGHT	2	76	BS12	COUNTER WEIGHT DOUBLE WHEEL HOLDER	1
15	FS10	GABLE PANEL SUPPORT FRONT RIGHT & BACK LEFT	2	77	BS13	COUNTER WEIGHT SINGLE WHEEL HOLDER	1
16	FS11	HORIZONTAL TOP SUPPORT BOTTOM JOINT	6	78	BS14	BRACKET FOR HORIZONTAL SUPPORT FIXING	4
17	CS01	SIDE COLUMN CENTER	2	79	BS15	COUNTERB WEIGHT COVER FIXING BRACKET	2
18	CS02	TOP CHORD CENTER FRONT RIGHT & BACK LEFT	2	80	BS16	FRONT DOOR HANDLE BACK SUPPORT	2
19	CS03	TOP CHORD CENTER FRONT LEFT & BACK RIGHT	2	81	WP01	WALL PANELS	17
20	CS04	TOP CHORD COVER LEFT & RIGHT	4	82	WP02	WALL PANELS SIDE	2
21	CS05	HORIZONTAL SUPPORT CENTER	1	83	WP03	WALL PANELS DOOR SIDE (BIG)	1
22	CS08	TOP CHORD JOINT CENTER	1	84	WP04	WALL PANELS DOOR SIDE (SMALL)	1
23	CS10	SIDE COLUMN CENTER	2	85	WP05	WALL PANELS CORNER	3
24	CS11	HORIZONTAL SUPPORT CENTER	1	86	WP06	WALL PANELS CORNER	1
25	CS12	TOP CHORD JOINT CENTER	1	87	WP07	WALL PANELS	1
26	RS01	ROOF SUPPORT LEFT & RIGHT	11	88	WP08	WALL PANELS	1
27	RS02	ROOF SUPPORT LEFT BOTTOM	1	89	RP01	ROOF PANEL FRONT LEFT/BACK RIGHT	2
28	RS03	HORIZONTAL SUPPORT TOP	4	90	RP02	ROOF PANELS	12
29	RS04	HORIZONTAL SUPPORT CROSS FRONT	4	91	RP03	ROOF PANELS	2
30	RS05	HORIZONTAL SUPPORT CROSS	4	92	RP04	ROOF PANELS	2
31	WS01	WALL TOP CHANNEL FRONT LEFT/BACK RIGHT	2	93	RP05	ROOF PANEL FRONT RIGHT/BACK LEFT	2
32	WS02	WALL TOP CHANNEL FRONT RIGHT/BACK LEFT	2	94	SP01	SHUTTER DOOR PANELS BIG	2
33	WS03	WALL TOP SUPPORT SIDE (LEFT/RIGHT)	4	95	SP02	SHUTTER DOOR PANELS BIG BOTTOM	1
34	WS04	WALL TOP SUPPORT CENTER (LEFT/RIGHT)	2	96	SP03	SHUTTER DOOR PANELS	1
35	WS05	WALL MIDDLE SUPPORT SIDE (LEFT/RIGHT)	3	97	CP01	COLUMN SUPPORT PLATE CENTER (LEFT/ RIGHT)	4
36	WS06	WALL MIDDLE CENTER (LEFT OR RIGHT)	1	98	CP02	COLUMN SUPPORT PLATE CENTER (LEFT/ RIGHT)	4
37	WS07	WALL MIDDLE CENTER (LEFT OR RIGHT)	1	99	CP03	COLUMN SUPPORT PLATE CENTER (MIDDLE)	2
38	WS08	WALL MIDDLE SUPPORT FRONT (LEFT/RIGHT)	2	100	BS17	COUNTER WEIGHT COVER (P2 POST)	1
39	WS09	WALL MIDDLE SUPPORT BACK (LEFT/RIGHT)	2				
40	DF04	SHUTTER DOOR RAIL VERTICAL (RIGHT)	1				
41	DF05	SHUTTER DOOR RAIL VERTICAL (LEFT)	1				
42	DF06	SHUTTER DOOR INNER TOP (LEFT)	1				
43	DF07	SHUTTER DOOR INNER TOP (RIGHT)	1				
44	DS01	SHUTTER DOOR STRIP (FRONT)	1				
45	DS02	SHUTTER DOOR STRIP (BACK)	1				
46	DS03	SHUTTER DOOR STRIP (CENTER)	3				
47	SD01	DOOR COLUMN PROFILE (LEFT)	1				
48	SD02	DOOR COLUMN PROFILE (RIGHT)	1				
49	SD04	SLIDING CHANNEL RAIL	1				
50	SD05	ENTRANCE TAPER CHANNEL	1				
51	SD06	DOOR PANEL MIDDLE SUPPORT	3				
52	RF01	ROOF FLASHING SIDE FRONT/BACK (LEFT & RIGHT)	4				
53	RF02	ROOF FLASHING SIDE CENTER (LEFT & RIGHT)	4				
54	RF03	ROOF FLASHING FRONT/BACK (LEFT & RIGHT)	4				
55	RF04	ROOF FLASHING CENTER	3				
56	RF05	ROOF FLASHING CENTER	1				
57	RF06	ROOF FLASHING CENTER	1				
58	BS02	BRACKET FOR ROOF SUPPORT	16				
59	BS08	ANGLE SUPPORT BRACKET	8				
60	CS06	STRUCTURE SIDE BRACKET (LEFT)	2				
61	CS07	STRUCTURE SIDE BRACKET (RIGHT)	2				
62	CS09	REINFORCEMENT SIDE CENTER COLUMN	4				

Tools You Will Need

Hand Gloves	8' Step Ladder
Cordless Drill - Philips Head	Adjustable pliers
Screw driver - Philips Head	Level - 3ft.
Carpenter's Square	Tape Measure
Eye Protector	
Plumb Line	

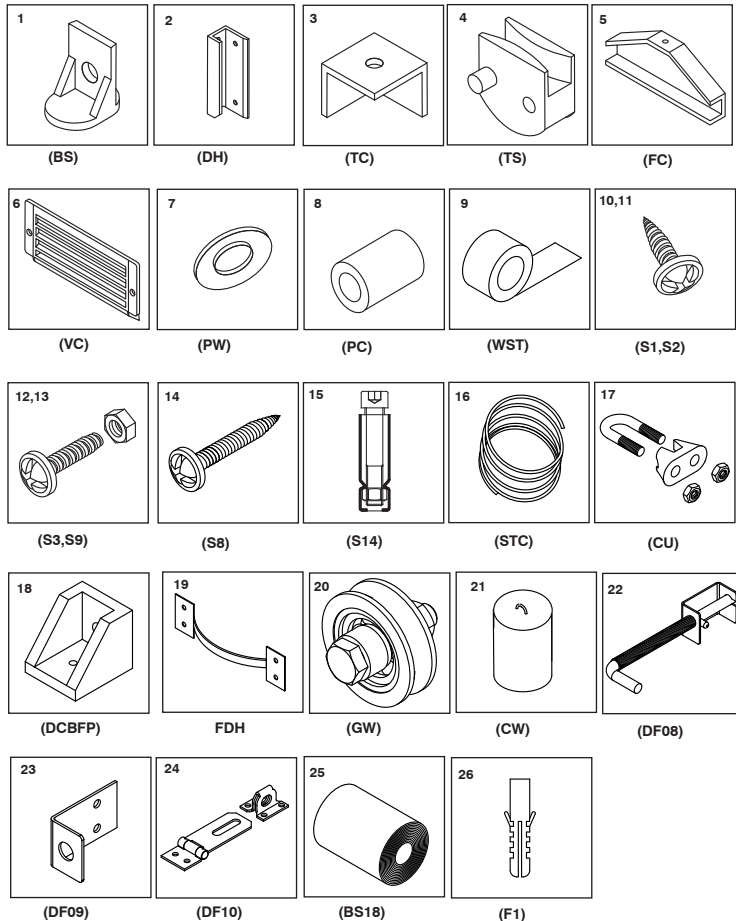
Note - Use screwdriver to separate out Nested profiles

IMPORTANT: USE HAND GLOVES TO PREVENT INJURY.

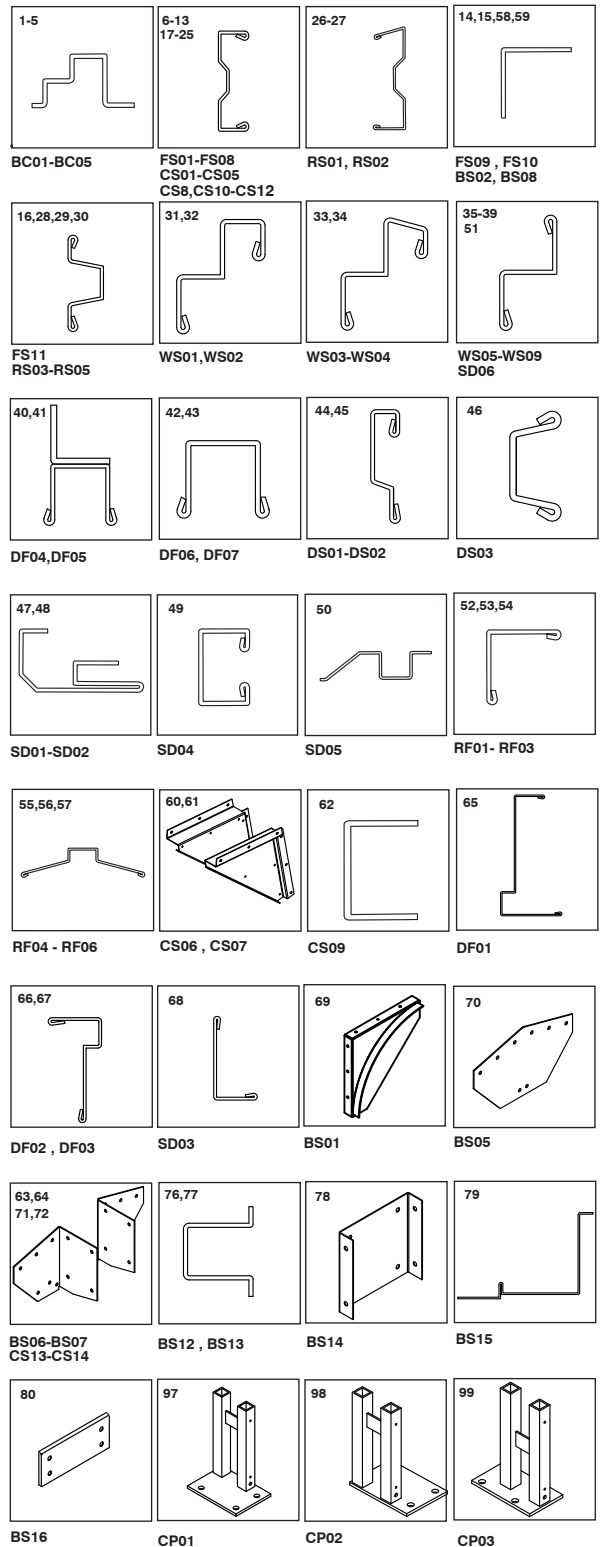
ACCESSORIES

ITEM	CODE	DESCRIPTION	QTY
1	BS	BOTTOM SLIDER	3
2	DH	DOOR HANDLE	3
3	TC	TOP CORNER	4
4	TS	TOP SLIDER	2
5	FC	FLASHING END CAP	2
6	VC	VENTILATION COVER	4
7	PW	PLASTIC WASHER	7 Slabs
8	PC	PLASTIC SCREW COVER	4 Slabs
9	WST	WEATHER STRIPPING TAPE	8 Mtr
10	S1	DIA. 4.2 x 10mm. (M5/32" x 3/8") SHEET METAL SCREW	673
11	S2	DIA. 4.2 x 16mm. (5/32" x 5/8") SHEET METAL SCREW	369
12	S3	M4 x 10mm. (M5/32" x 3/8") MACHINE SCREW WITH NUT	259
13	S8	4.2 x 32mm. SHEET METAL SCREW	27
14	S9	M4 x 15mm. MACHINE SCREW WITH NUT	30
15	S14	M8 x 80mm. ANCHOR BOLT	32
16	STC	STEEL CABLE SIZE 4MM DIA. (WITH SLEEVE)	5.1Mtr
17	CU	G.I CLIPS(U-TYPE) SIE M4 WITH NUTS	2
18	DCBFP	DOOR COLUMN BOTTOM FITTING	2
19	FDH	FRONT DOOR HANDLE	2
20	GW	GUIDE WHEEL	3
21	CW	COUNTER WEIGHT	5.0kg
22	DF08	FRONT DOOR TOWER BOLT ASSEMBLY	1
23	DF09	FRONT DOOR TOWER BOLT ANGLE	1
24	DF10	PAD LOCK FOR SIDE DOOR	1
25	BS18	FRONT COVER RUBBER	1
26	F1	PVC HOLE PLUGS	27

ACCESSORIES



PROFILES



Note - Use screws with plastic washers on top of pre-painted surface only.

IMPORTANT: USE HAND GLOVES TO PREVENT INJURY.

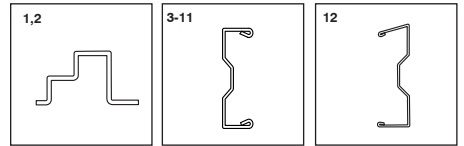
One Extension Parts List



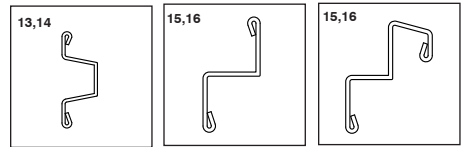
Note: Check all parts prior to installation.

ITEM	CODE	DESCRIPTION	QTY
1	EBC01	BASE CHANNEL EXTENSION LEFT	1
2	EBC02	BASE CHANNEL EXTENSION RIGHT	1
3	CS01	SIDE COLUMN CENTER	2
4	CS02	TOP CHORD CENTER FRONT RIGHT &BACK LEFT	2
5	CS03	TOP CHORD CENTER FRONT LEFT &BACK RIGHT	2
6	CS04	TOP CHORD COVER LEFT & RIGHT	4
7	CS05	HORIZONTAL SUPPORT CENTER	1
8	CS08	TOP CHORD JOINT CENTER	1
9	CS10	SIDE COLUMN CENTER	2
10	CS11	HORIZONTAL SUPPORT CENTER	1
11	CS12	TOP CHORD JOINT CENTER	1
12	ERS01	ROOF SUPPORT LEFT & RIGHT	6
13	RS03	HORIZONTAL SUPPORT TOP	1
14	RS05	HORIZONTAL SUPPORT CROSS	2
15	EWS01	WALL MIDDLE SUPPORT SIDE EXTENSION LEFT	1
16	EWS02	WALL MIDDLE SUPPORT SIDE EXTENSION RIGHT	1
17	EWS03	WALL TOP SUPPORT SIDE EXTENSION LEFT	1
18	EWS04	WALL TOP SUPPORT SIDE EXTENSION RIGHT	1
19	RF02	ROOF FLASHING SIDE CENTER(LEFT&RIGHT)	2
20	RF04	ROOF FLASHING CENTER	1
21	ERF04	ROOF FLASHING CENTER	1
22	BS02	BRACKET FOR ROOF SUPPORT	8
23	CS06	STRUCTURE SIDE BRACKET(LEFT)	2
24	CS07	STRUCTURE SIDE BRACKET(RIGHT)	2
25	CS09	REINFORCEMENT SIDE CENTER COLUMN	4
26	CS13	TRIANGULAR PLATES LEFT	2
27	CS14	TRIANGULAR PLATES RIGHT	2
28	WP01	WALL PANELS SIDE	6
29	RP02	ROOF PANEL	3
30	RP06	ROOF PANEL	3
31	CP03	COLUMN SUPPORT PLATE CENTER (MIDDLE)	2

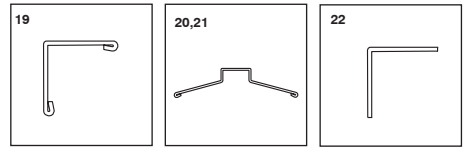
PROFILES



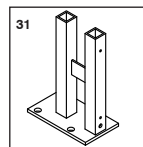
EBC01, EBC02 ERS01 CS01-CS05
CS8, CS10-CS12



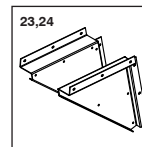
RS03, RS05 EWS01, EWS02 EWS03, EWS04



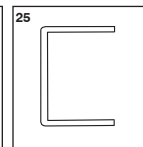
RF02 RF04, ERF04 BS02



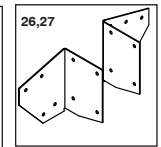
CP03



CS06, CS07

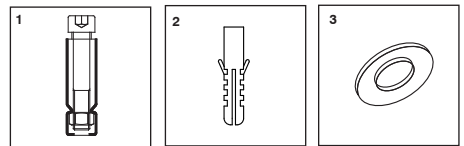


CS09

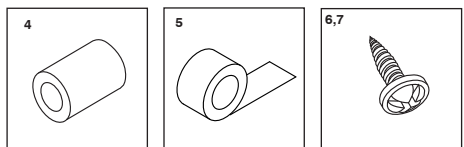


CS13, CS14

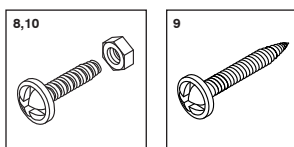
ACCESSORIES



(S14) (F1) (PW)



(PC) (WST) (S1, S2)



(S3, S9) (S8)

ACCESSORIES

ITEM	CODE	DESCRIPTION	QTY
1	S14	M8 x 80mm. ANCHOR BOLT	8
2	F1	PVC HOLE PLUGS	6
3	PW	PLASTIC WASHER	2 Slabs
4	PC	PLASTIC SCREW COVER	1 Slab
5	WST	WEATHER STRIPPING TAPE	2.5 Mtr
6	S1	DIA. 4.2 x 10mm. (M5/32" x 3/8") SHEET METAL SCREW	169
7	S2	DIA. 4.2 x 16mm. (5/32" x 5/8") SHEET METAL SCREW	128
8	S3	M4 x 10mm. (M5/32" x 3/8") MACHINE SCREW WITH NUT	72
9	S8	4.2 x 32mm.SHEET METAL SCREW	6
10	S9	M4 x 15mm. MACHINE SCREW WITH NUT	6

Note - Use screws with plastic washers on top of pre-painted surface only.

IMPORTANT: USE HAND GLOVES TO PREVENT INJURY.

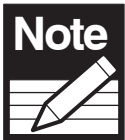
PART 1 : Assembling Shed with Extension Kit

A. Foundation, Column Stands & Base Channel

Note: It is important that these instructions are followed step by step.

Concrete Platform

The shed must be constructed on a solid base foundation. A concrete pad or a large size concrete patio stone squares is recommended for suitable floor base. Make sure it is firm and level and will allow drainage away from the site. The base foundation should be at least 4 inches (100mm) larger than the shed dimensions. Please refer to the front page of your owner's manual for the exterior dimensions of the shed. **Manufacturer is not responsible for the choice and construction of the foundation**



Note For a concrete pad base, prepare a level bed for a firm footing layer of crushed stone. The concrete pad should then be poured to a thickness of 4 inches (100mm) to 5 inches (125mm). Allow to dry thoroughly for at least 48 hours

Step - 1

Anchor Bolt Holes for Column Support



TIP Use 12mm (1/2 Inch) Concrete drill bit.

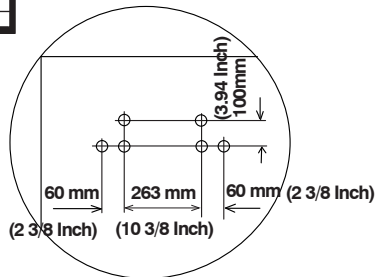


Fig.1

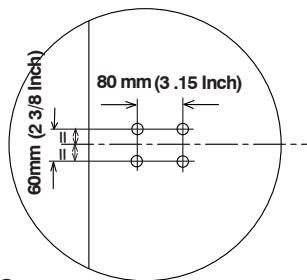


Fig.2

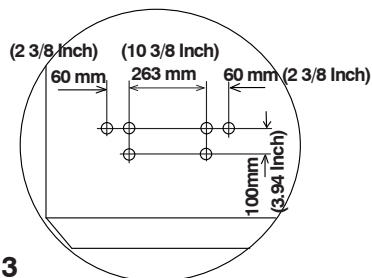


Fig.3

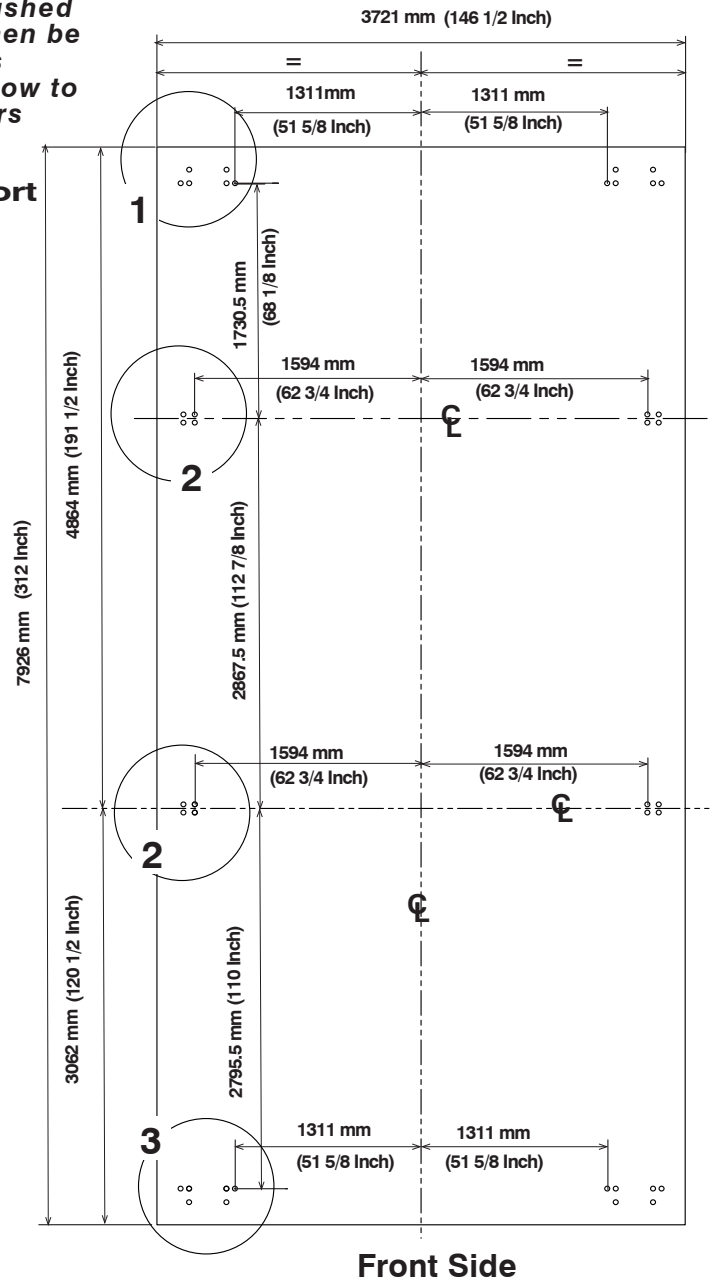
Parts Needed:

Code	Qty
BC01	4
BC02	2
BC03	1
BC04	1
BC05	2
CP01	4
CP02	4
CP03	2
S1	28
S8	27
S14	32
F1	27

Parts Needed for each extension:

Code	Qty
EBC01	1
EBC02	1
CP03	2
S1	8
S8	6
S14	8
F1	6

Back Side



Front Side

IMPORTANT: USE HAND GLOVES TO PREVENT INJURY.

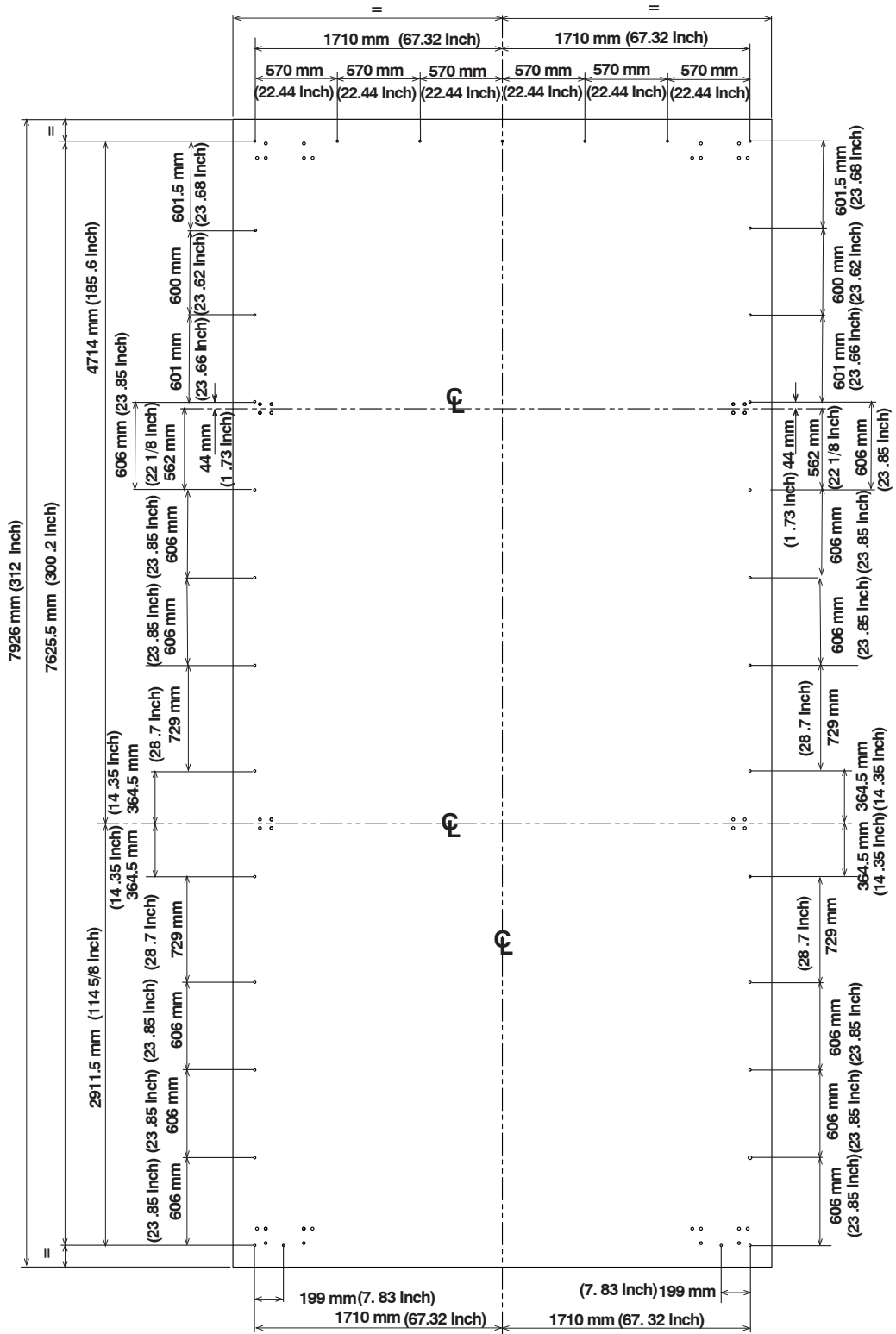
Step - 2

PVC Wall Plug Holes for Base Channel



Use 6 mm (1/4 Inch) Concrete drill bit.

Back Side



Front Side

IMPORTANT: USE HAND GLOVES TO PREVENT INJURY.

Hole Dimensions of Garage with Two Extension

1.Anchor Bolt Holes for Column Support

Details see Page1&2.

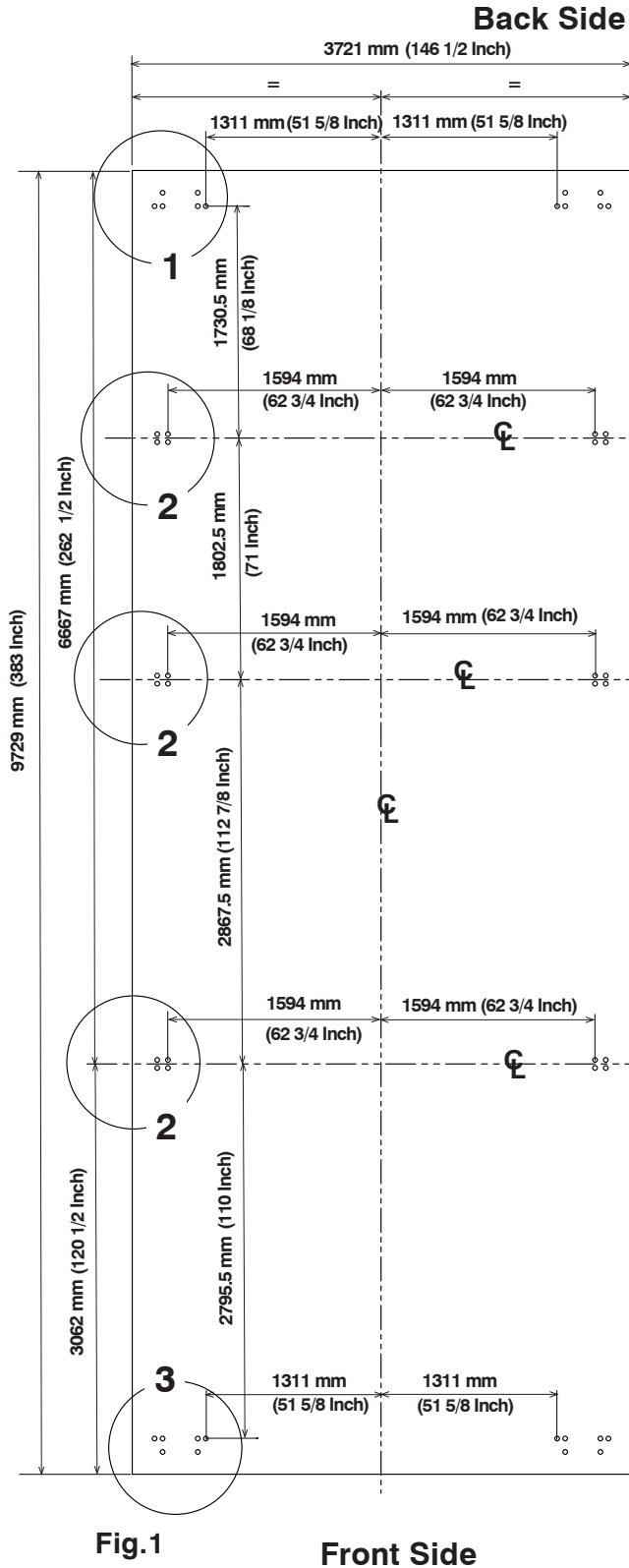


Fig.1

2.PVC Wall Plug Holes for Base Channel

Details see Page1&2.

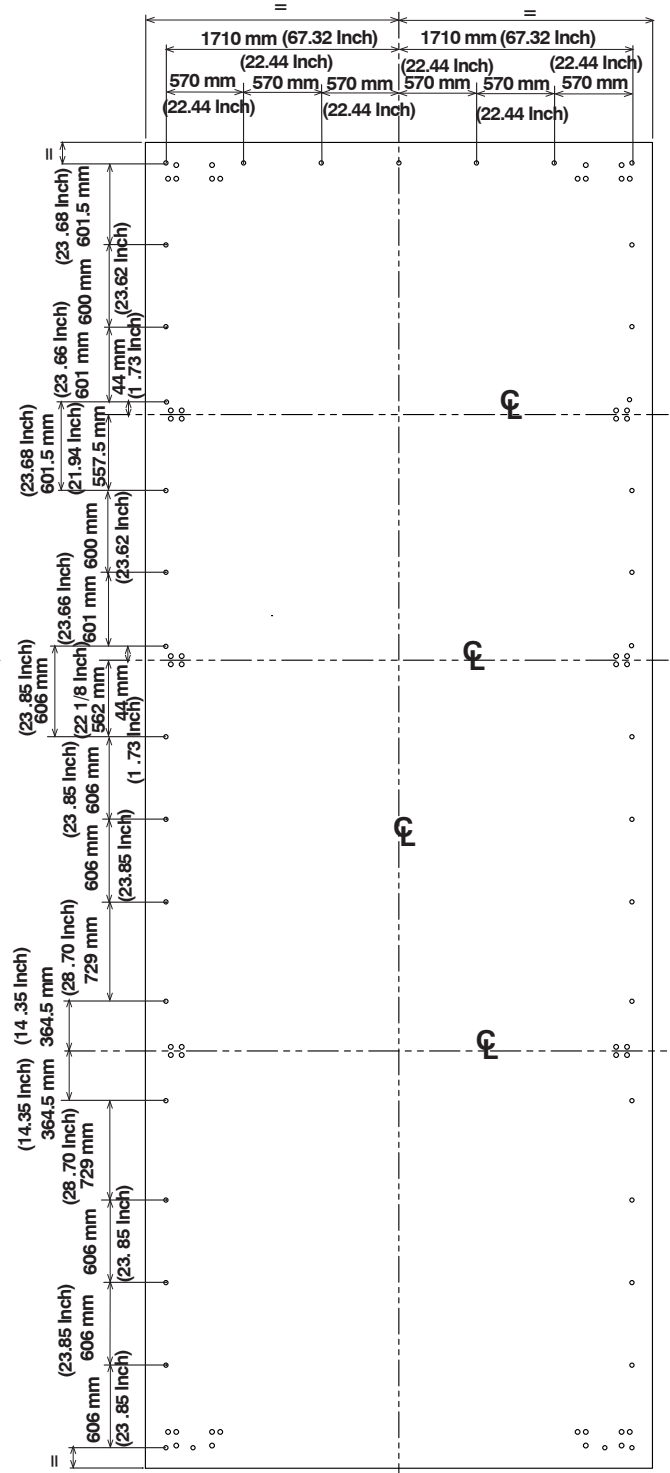
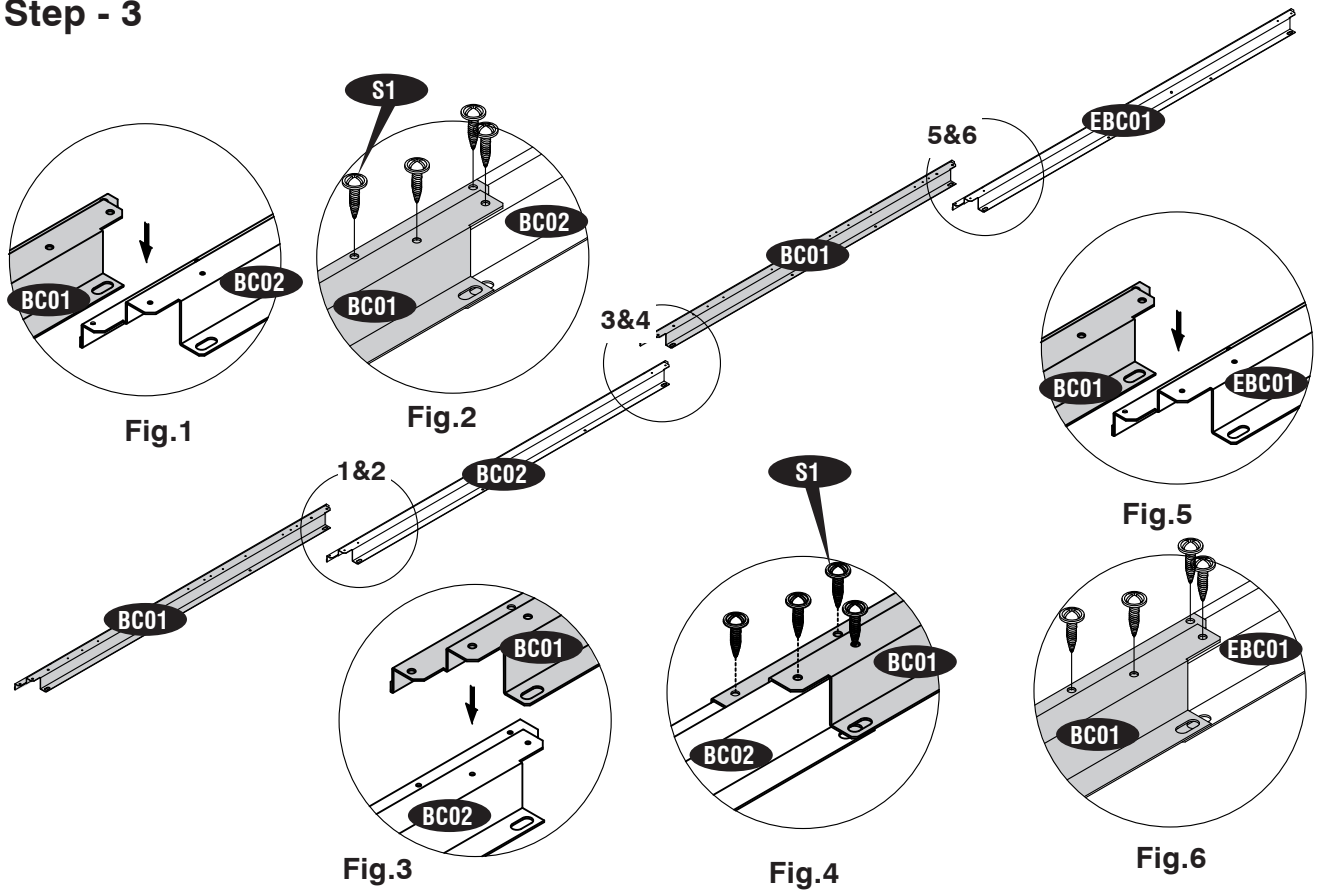
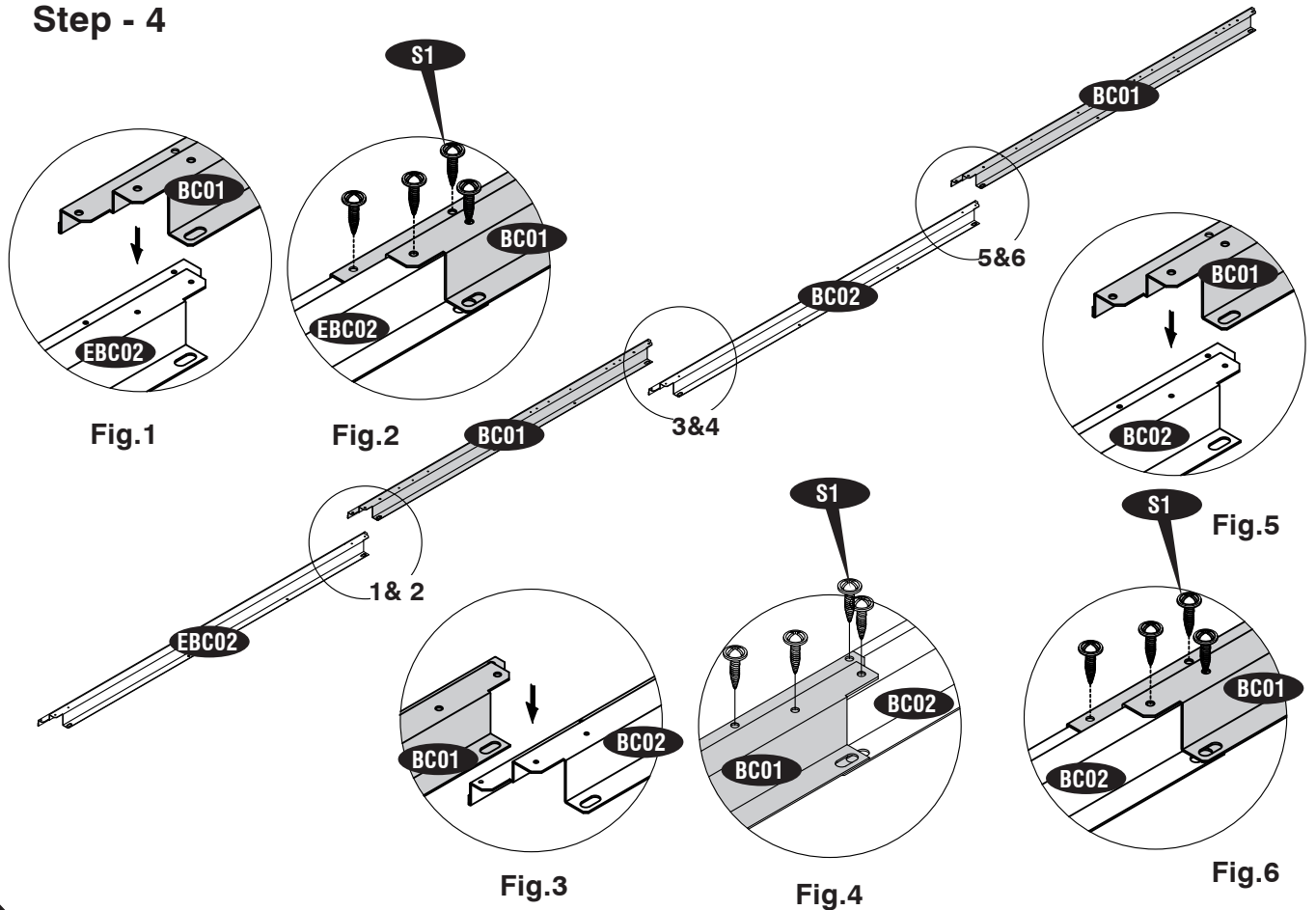


Fig.2

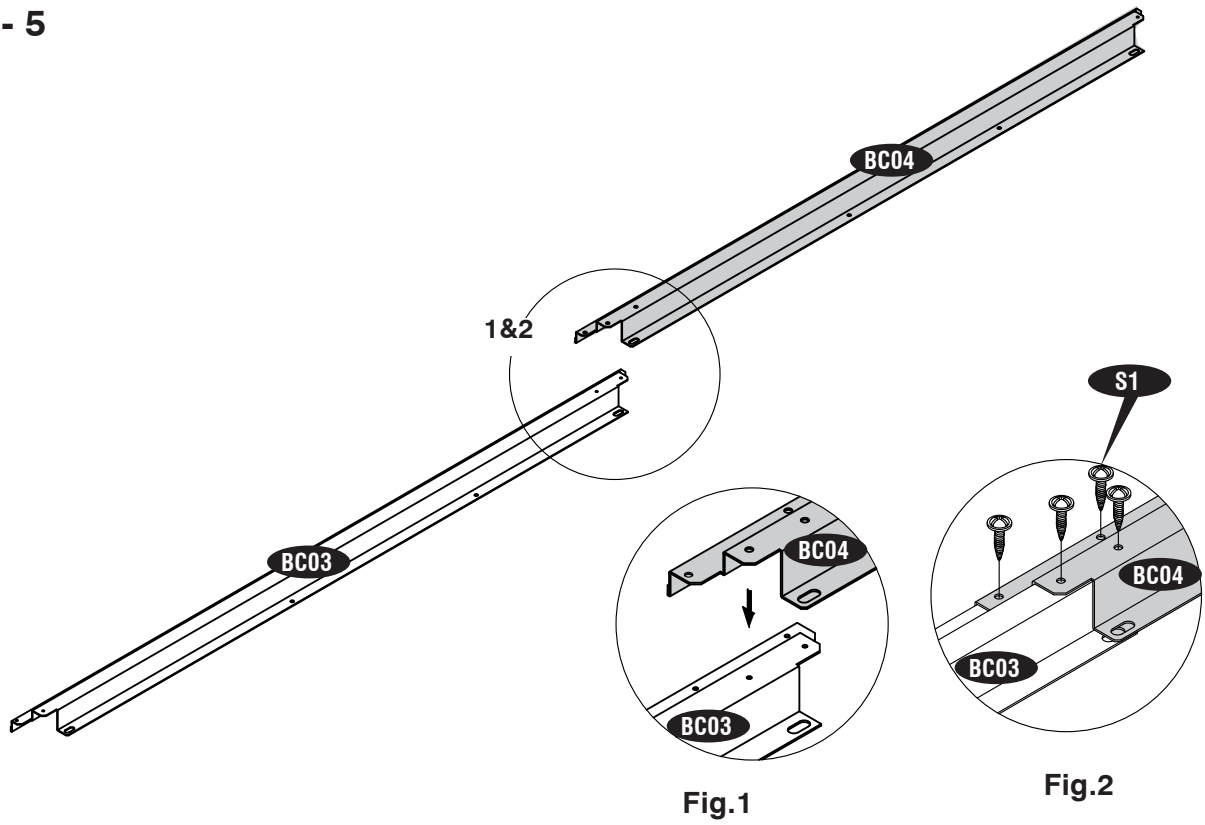
Step - 3



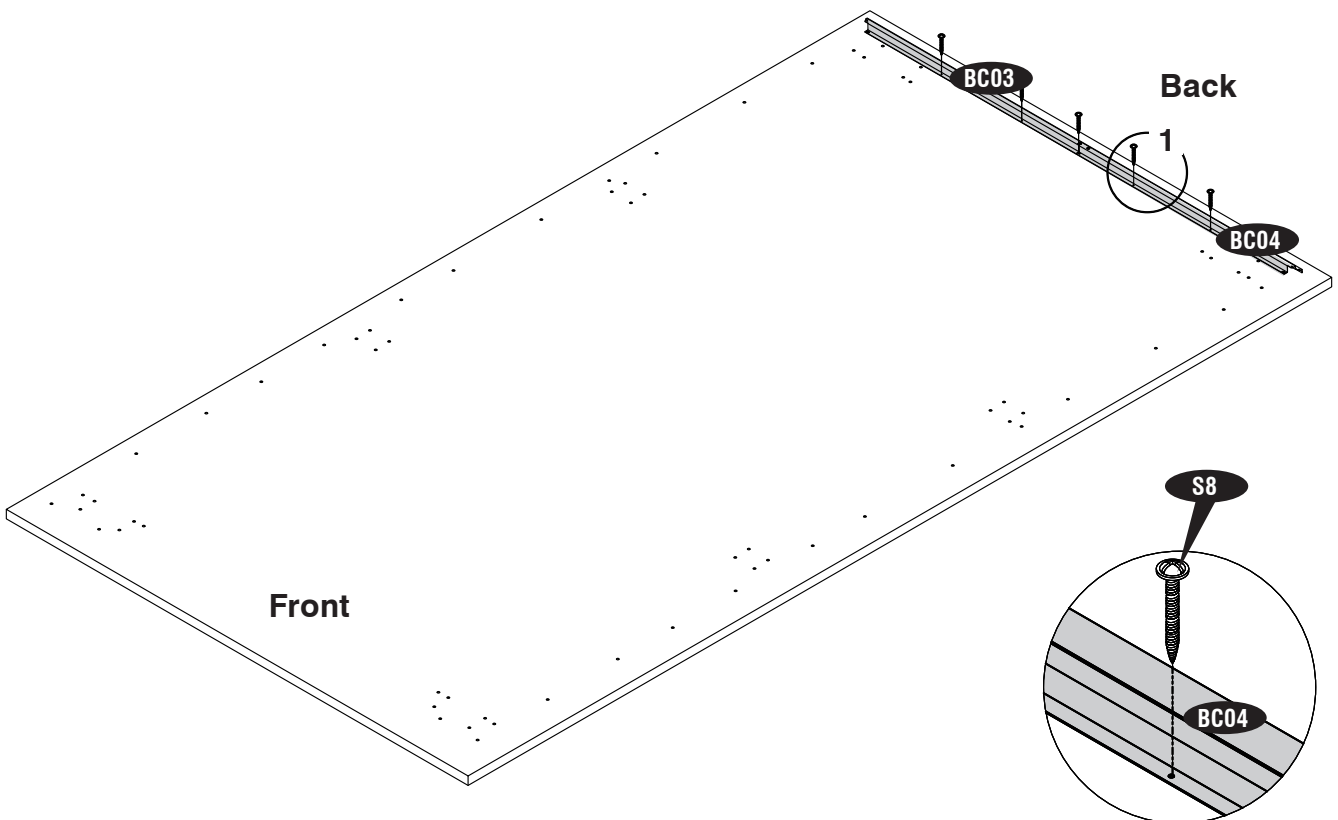
Step - 4



Step - 5

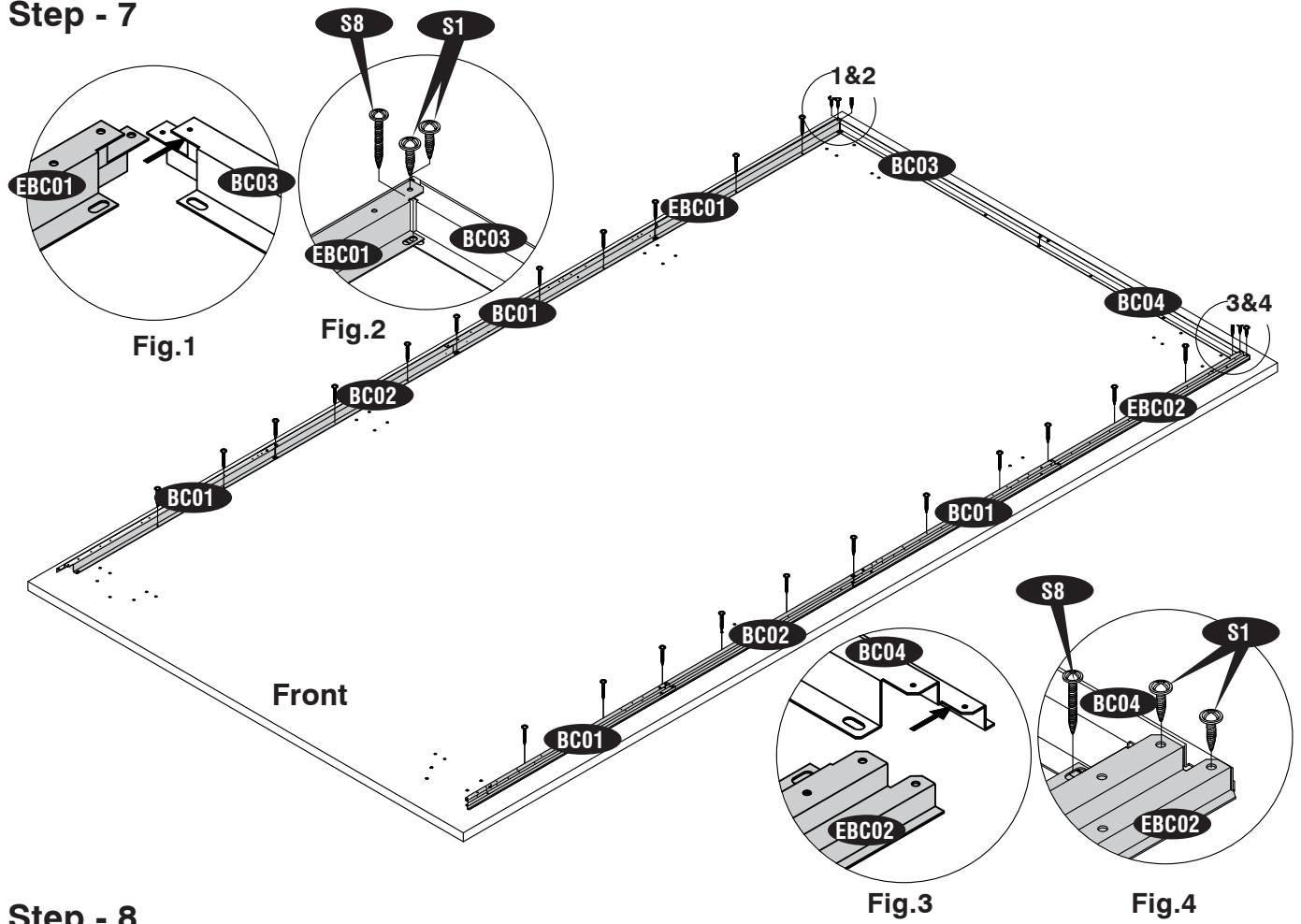


Step - 6

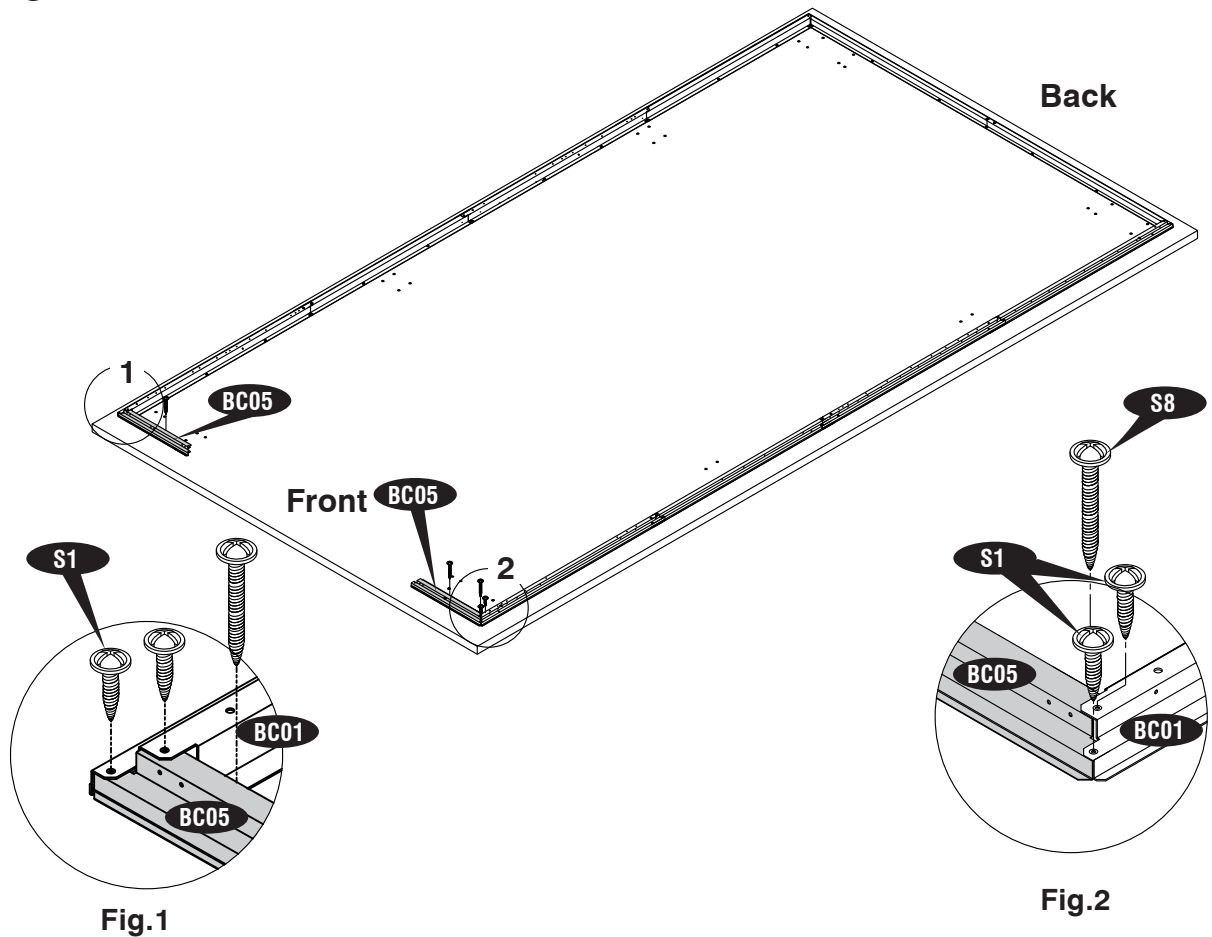


IMPORTANT: USE HAND GLOVES TO PREVENT INJURY.

Step - 7



Step - 8



IMPORTANT: USE HAND GLOVES TO PREVENT INJURY.

Step - 9

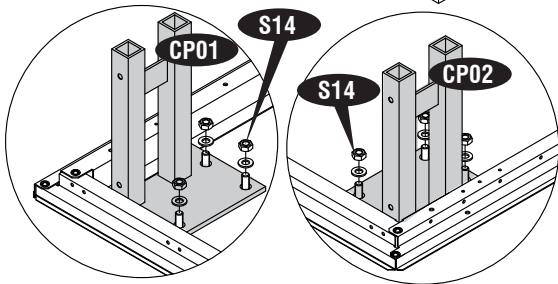
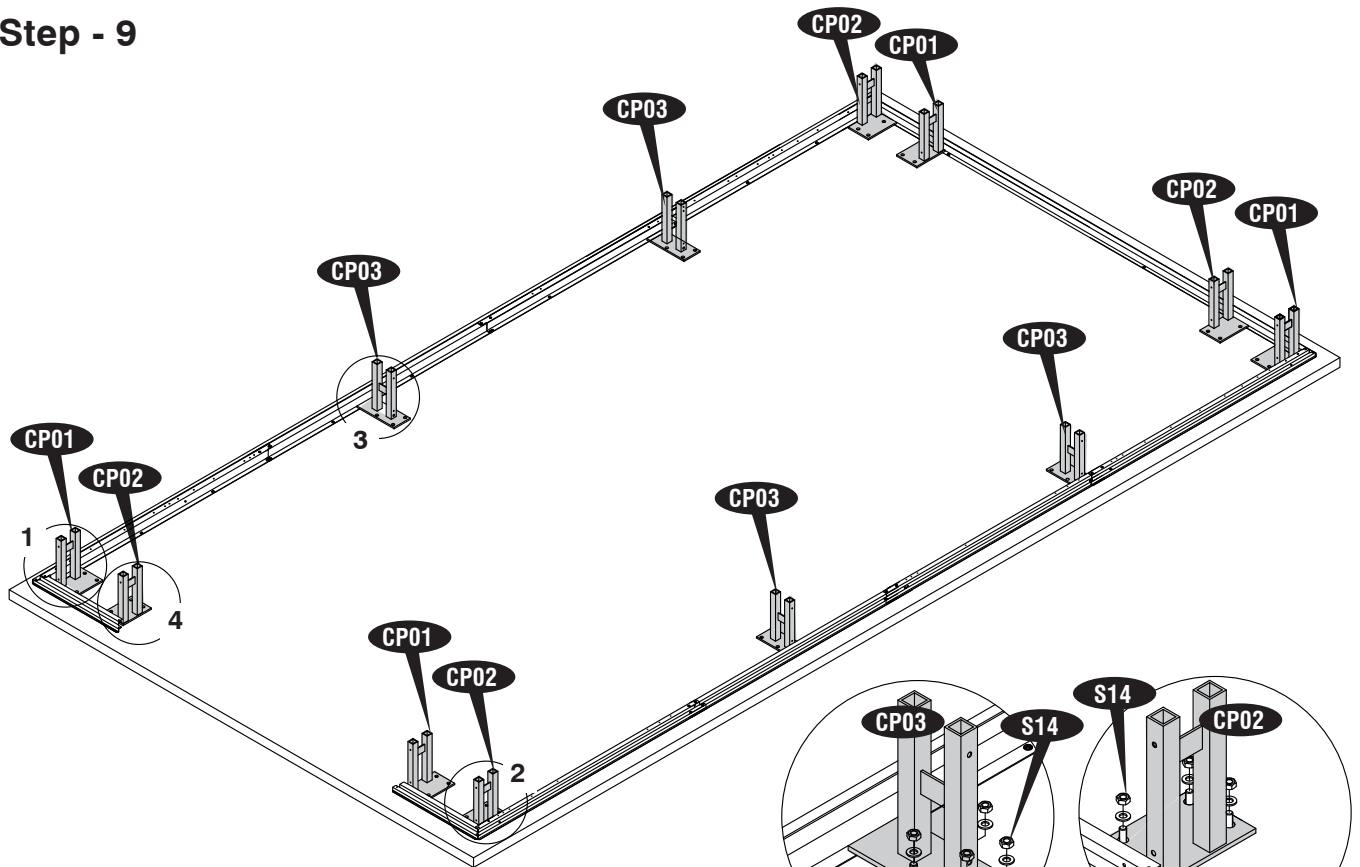


Fig.1

Fig.2

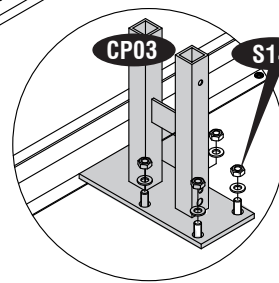


Fig.3

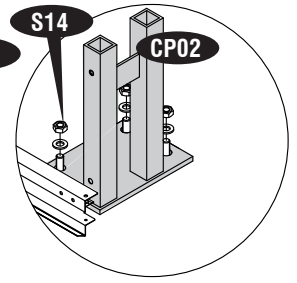
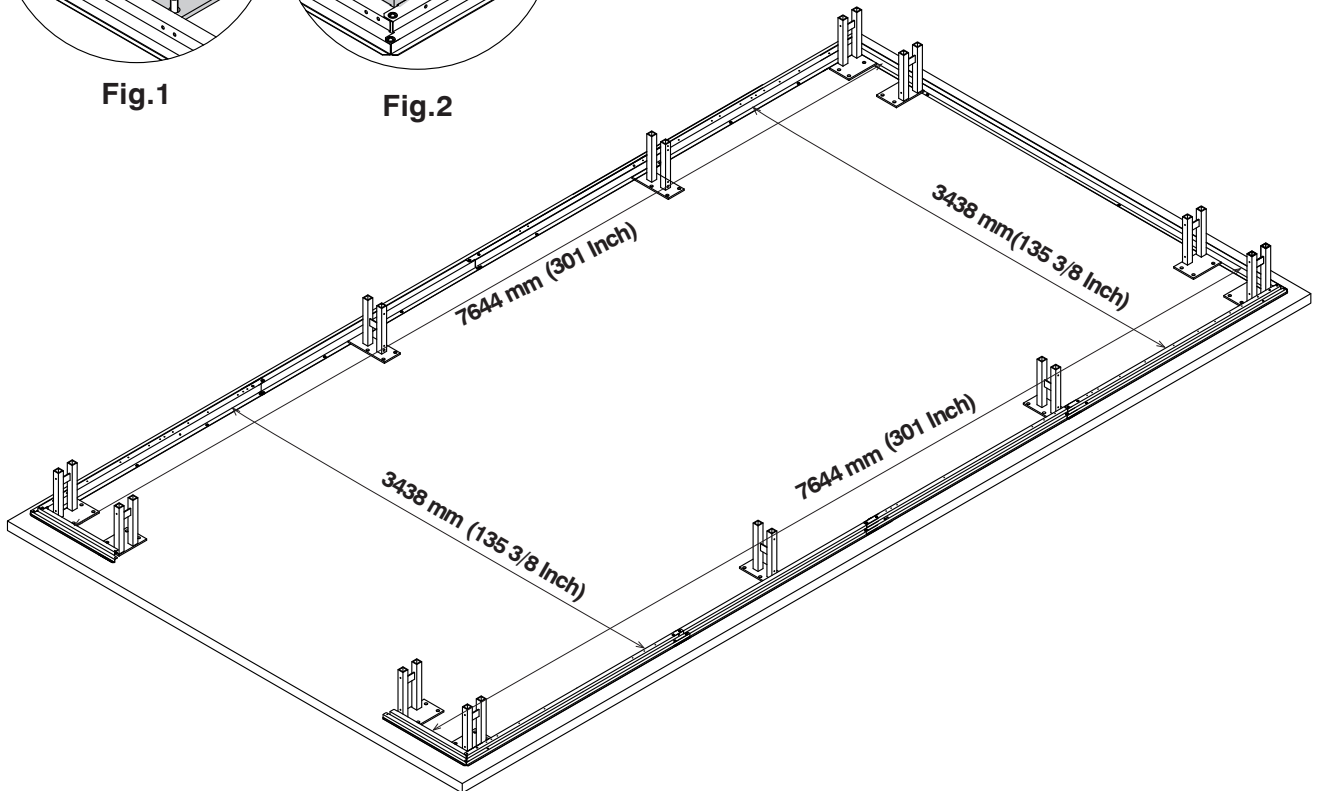


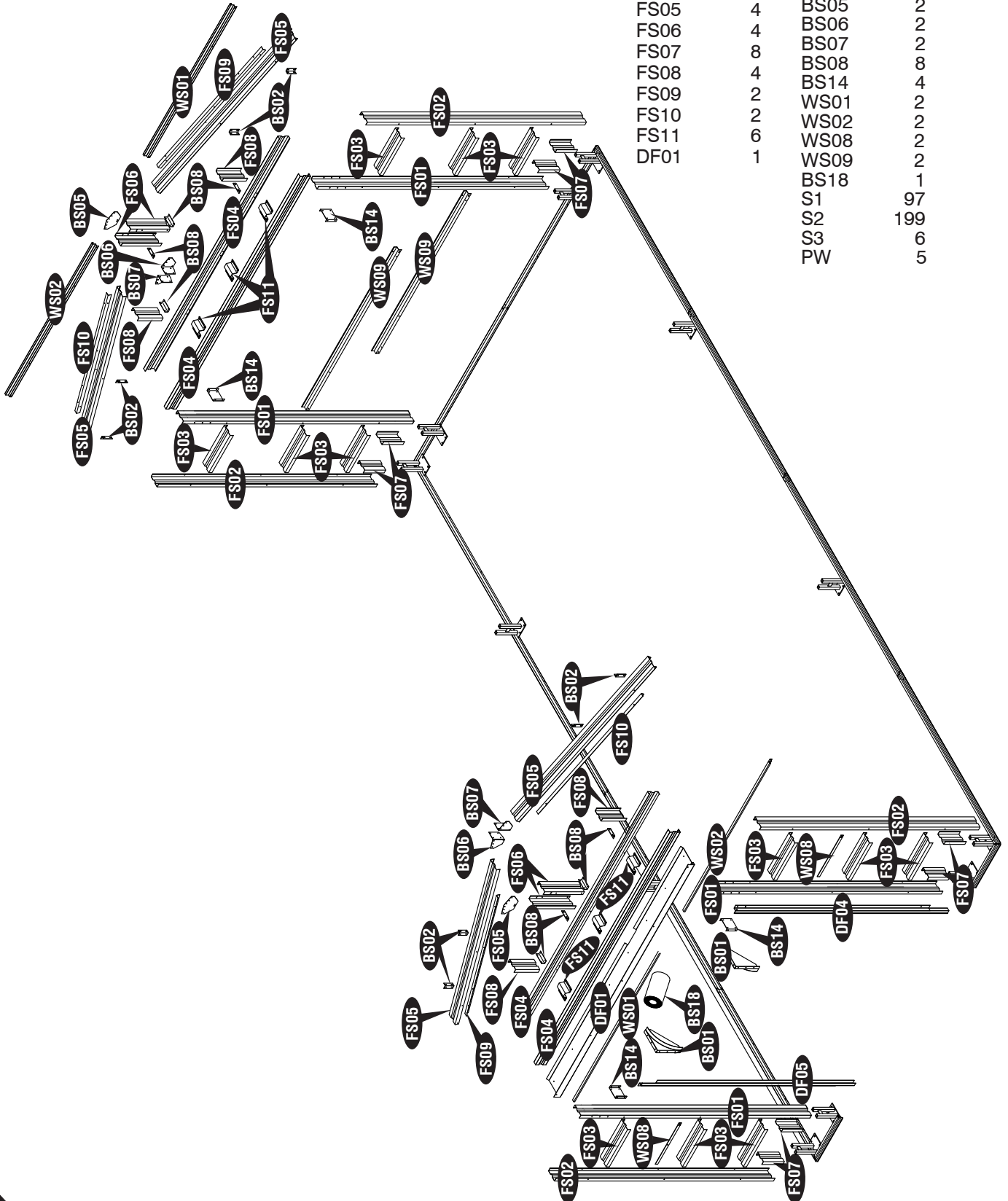
Fig.4



B. Front & Back Structure Assembly

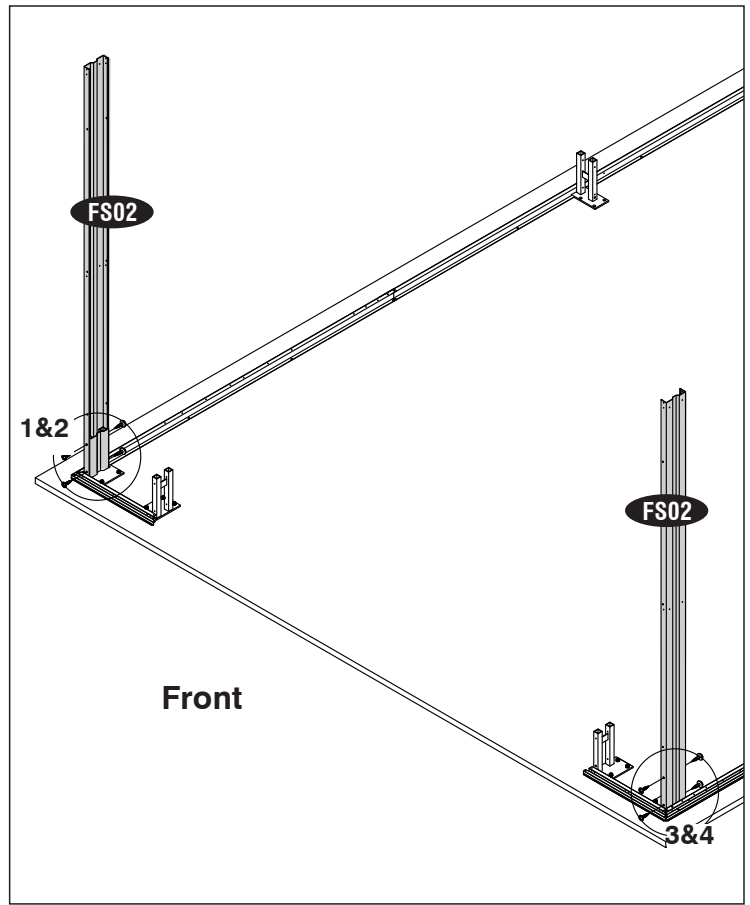
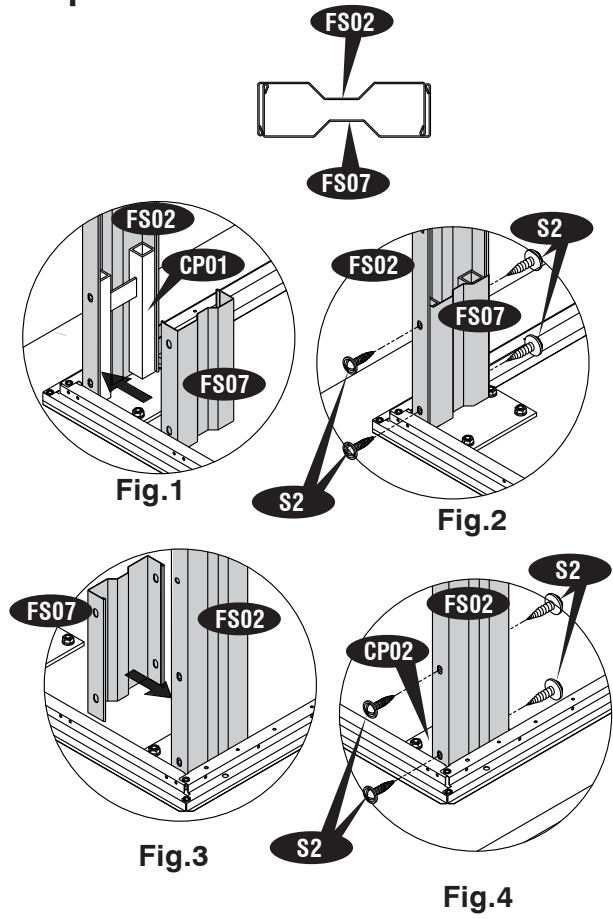
Parts Needed:

Code	Qty	Code	Qty
FS01	4	DF04	1
FS02	4	DF05	1
FS03	12	BS01	2
FS04	4	BS02	8
FS05	4	BS05	2
FS06	4	BS06	2
FS07	8	BS07	2
FS08	4	BS08	8
FS09	2	BS14	4
FS10	2	WS01	2
FS11	6	WS02	2
DF01	1	WS08	2
		WS09	2
		BS18	1
		S1	97
		S2	199
		S3	6
		PW	5

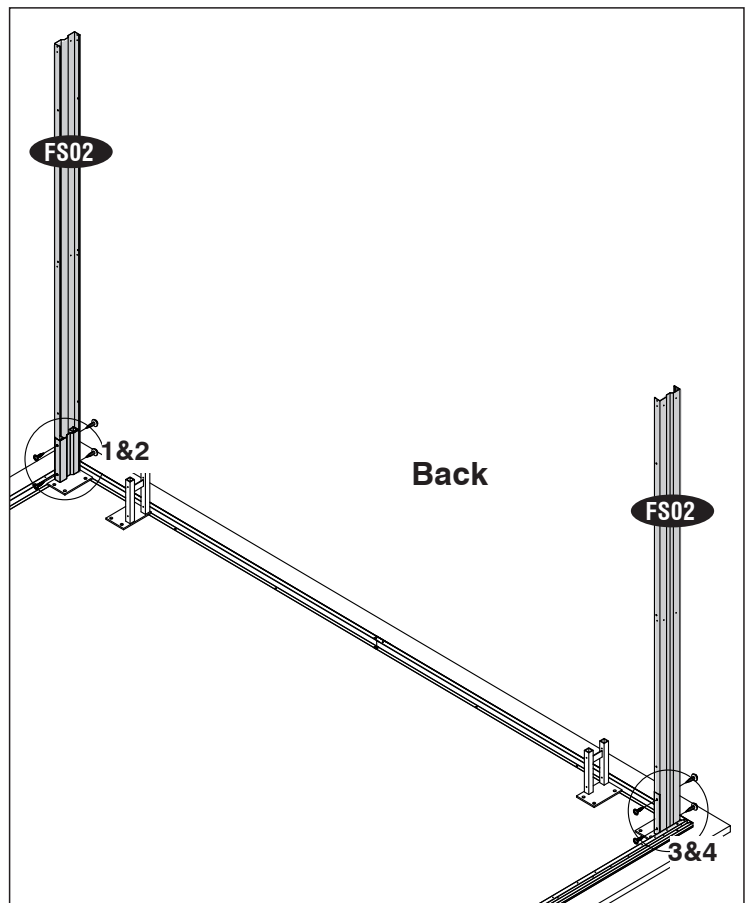
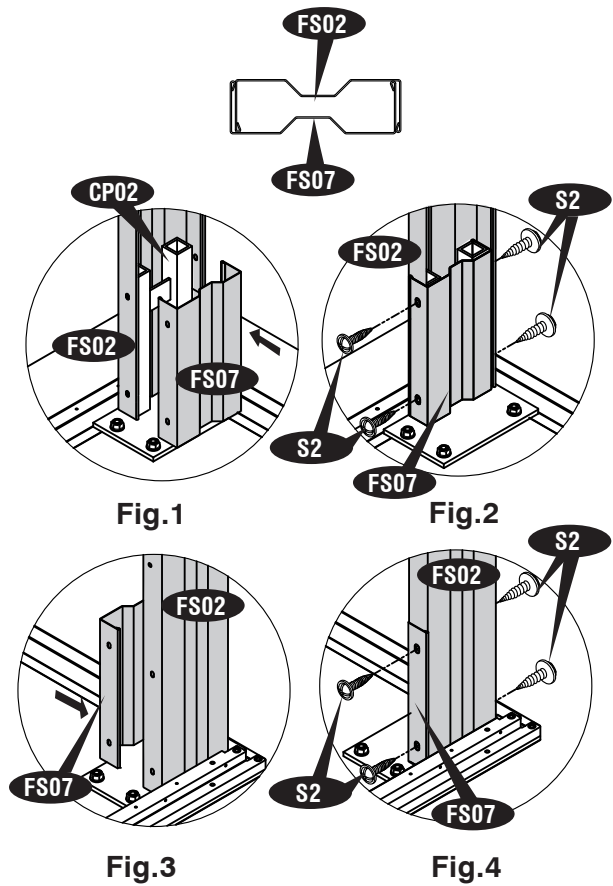


IMPORTANT: USE HAND GLOVES TO PREVENT INJURY.

Step - 1



Step - 2



Step - 3

Make 4 Sets

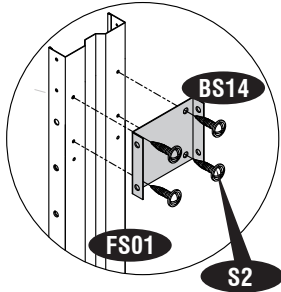


Fig.1

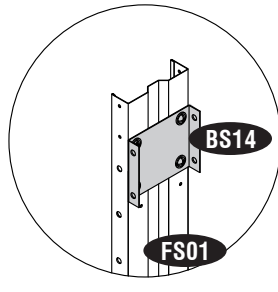
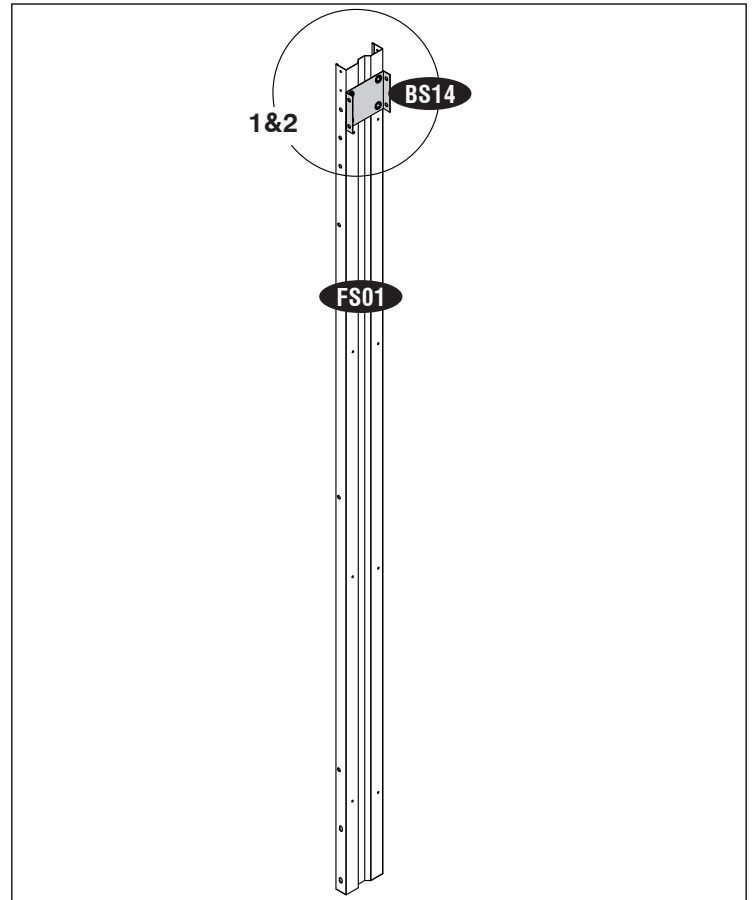


Fig.2



Step - 4

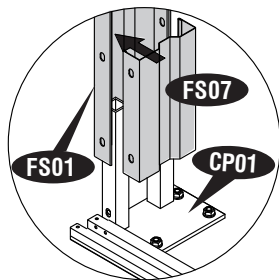
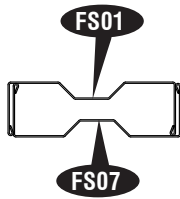


Fig.1

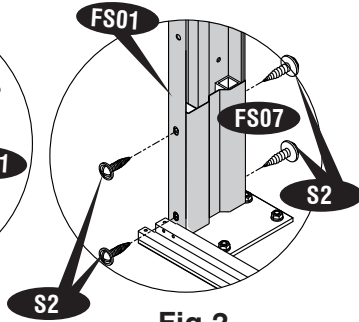


Fig.2

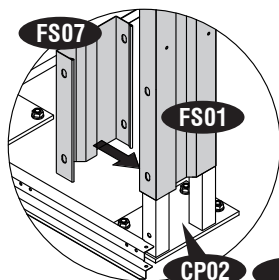


Fig.3

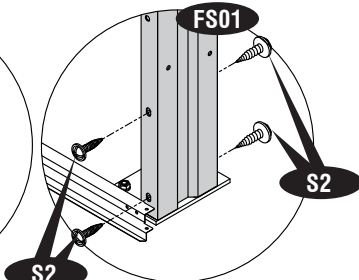
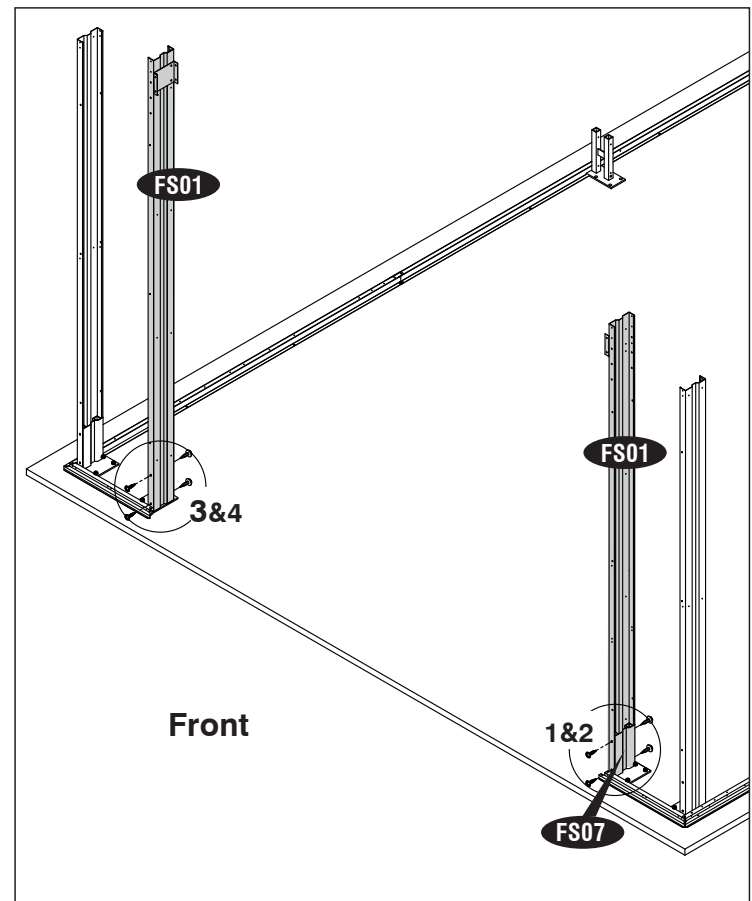
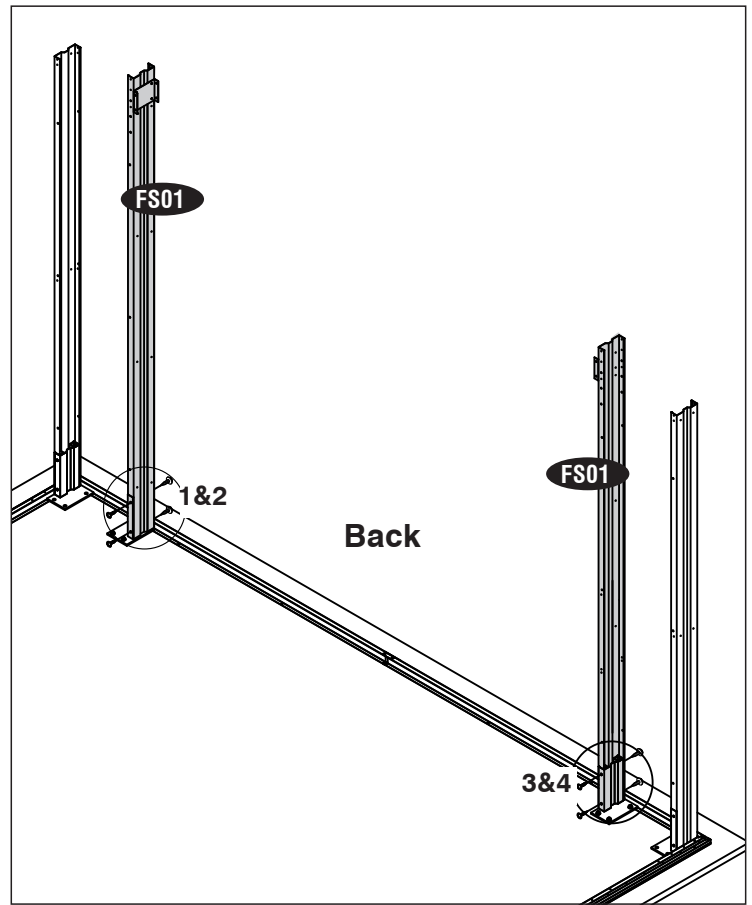
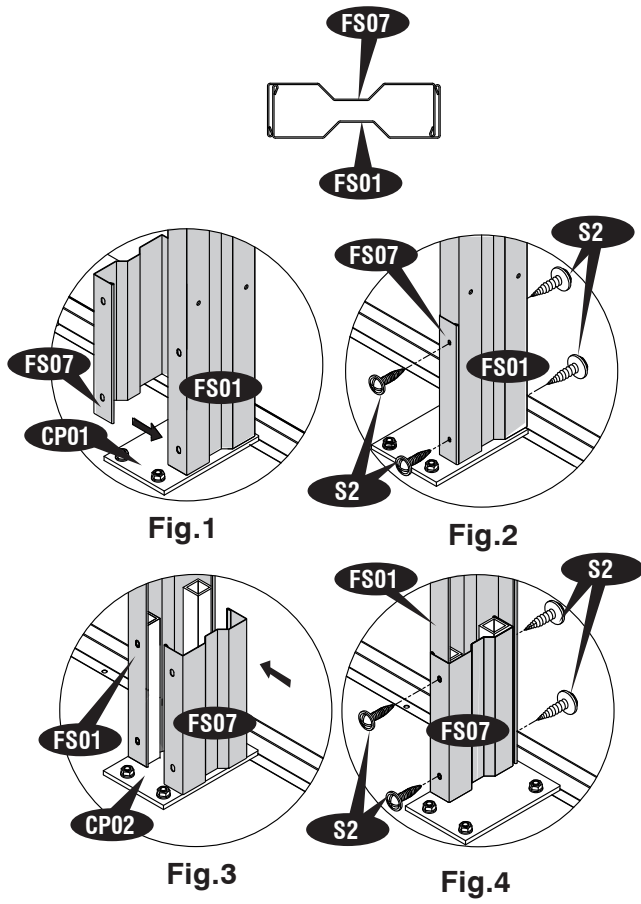


Fig.4

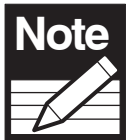


IMPORTANT: USE HAND GLOVES TO PREVENT INJURY.

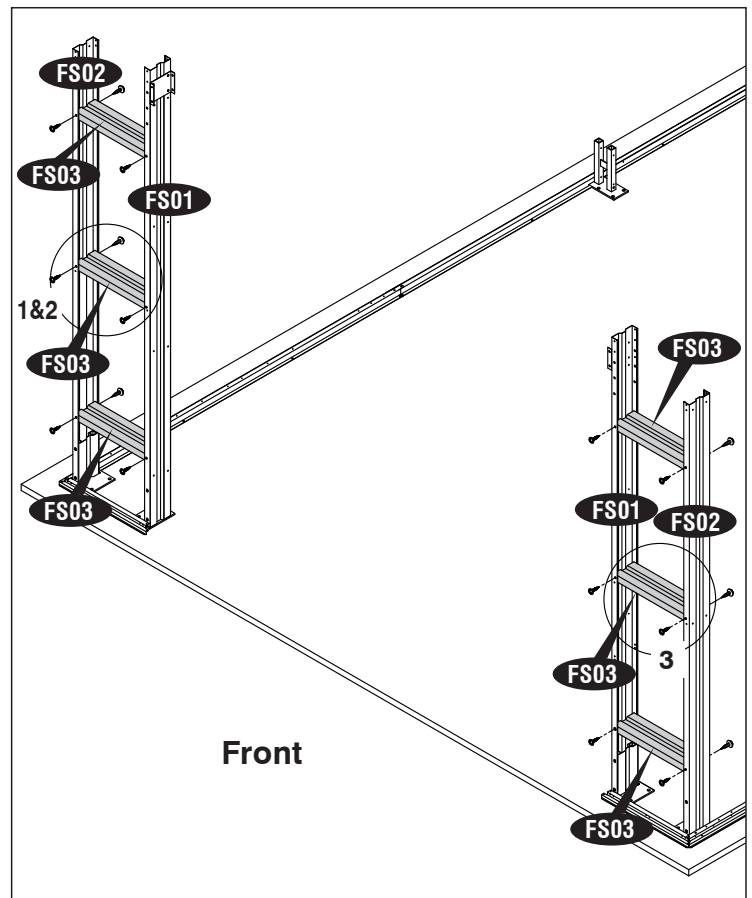
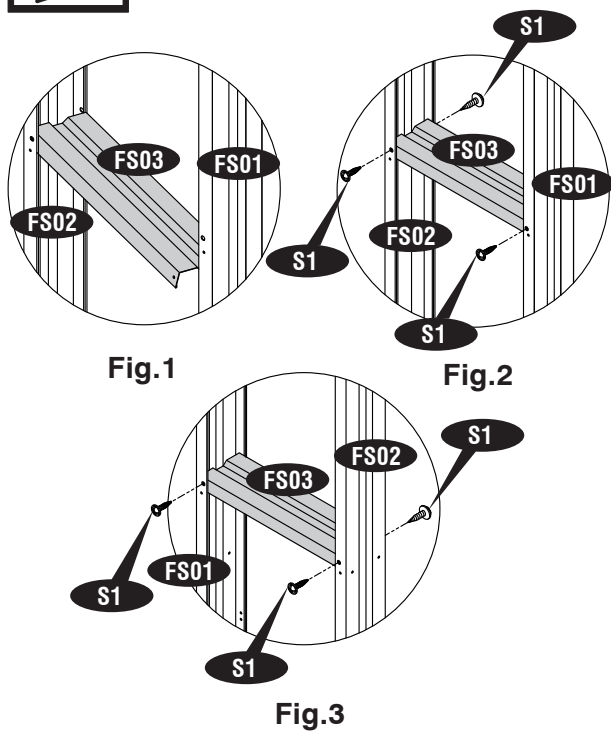
Step - 5



Step - 6



Note Use only 3 Screws as shown in Blow up.



Step - 7

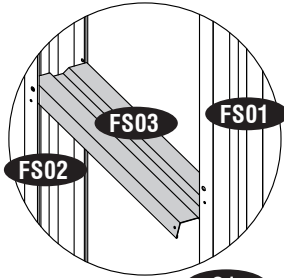


Fig.1

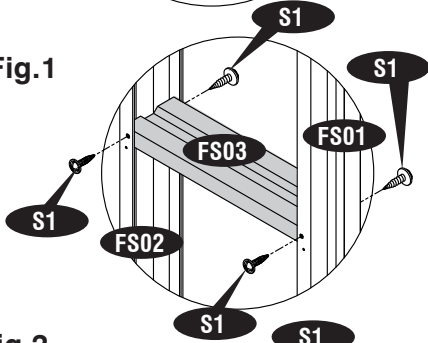


Fig.2

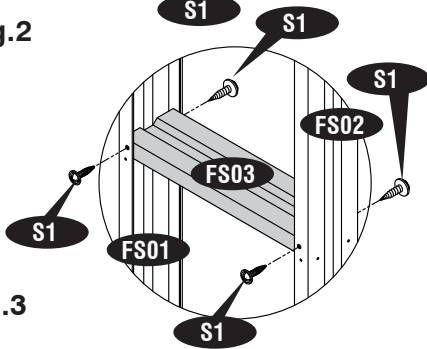
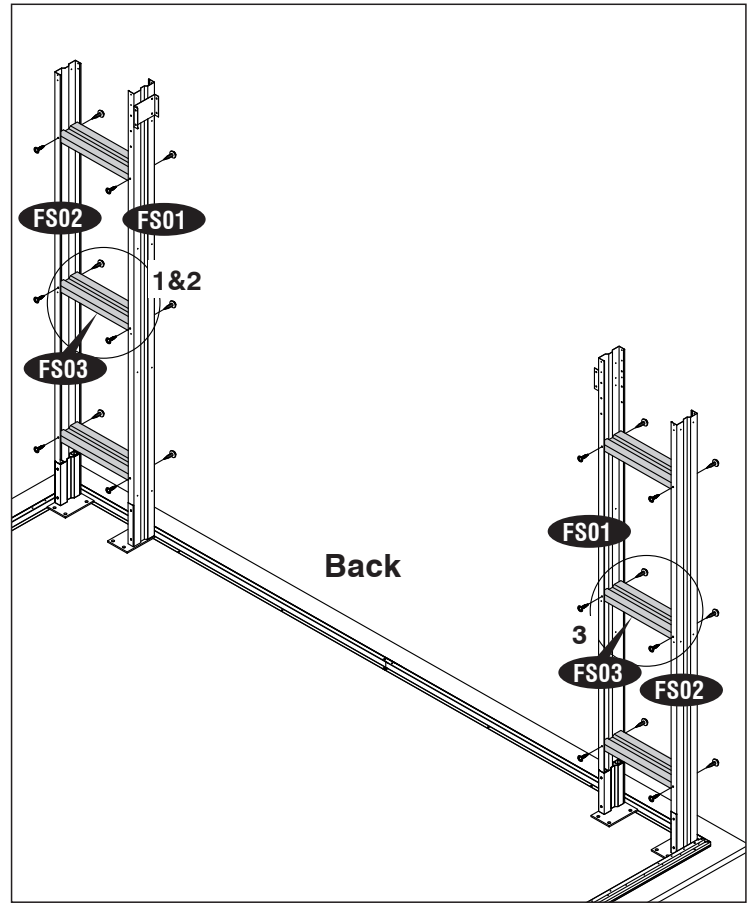


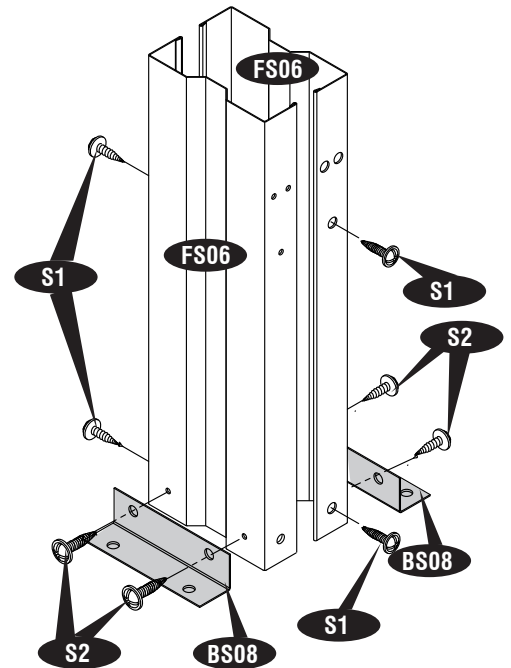
Fig.3



Step - 8

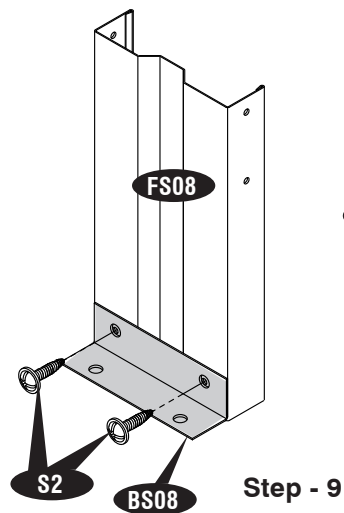
Make 2 Sets

Step - 8



Step -9

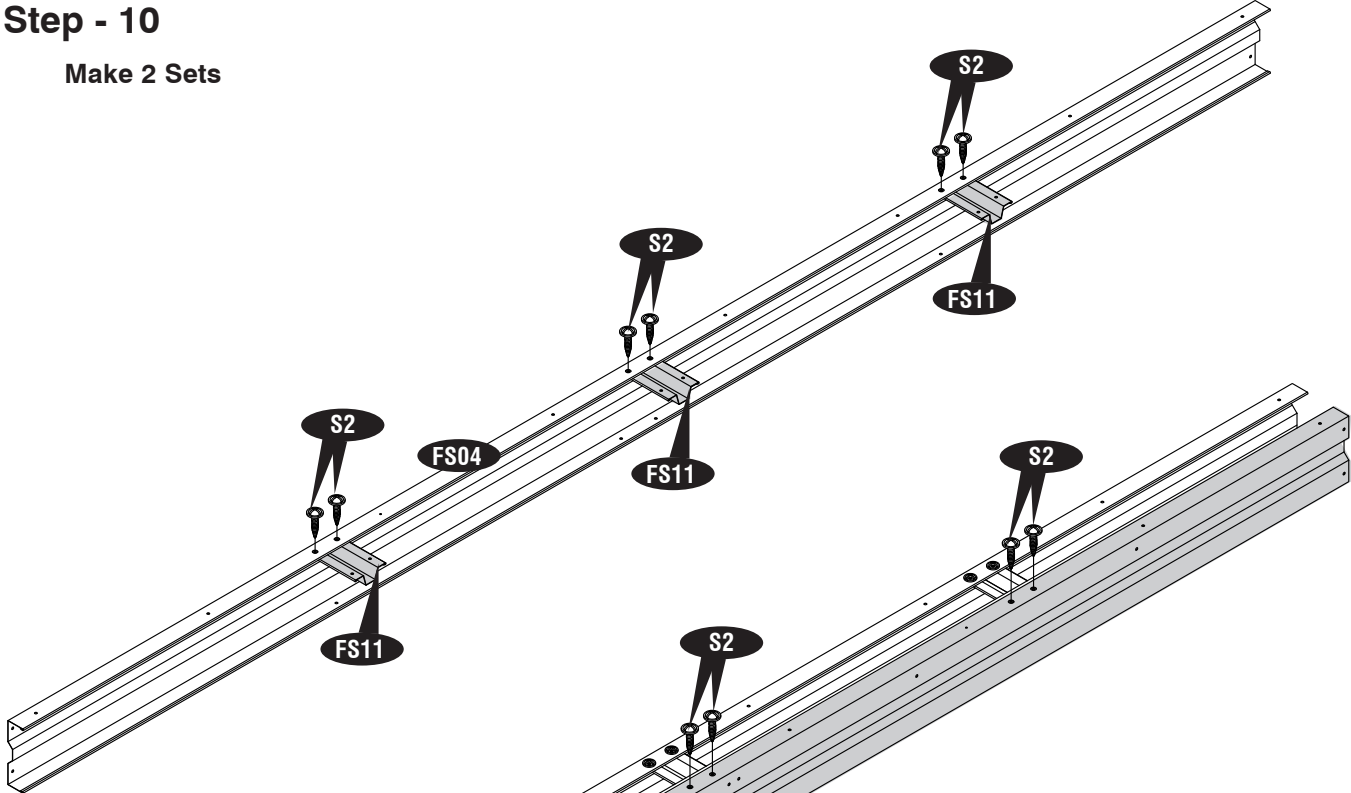
Make 4 Sets



IMPORTANT: USE HAND GLOVES TO PREVENT INJURY.

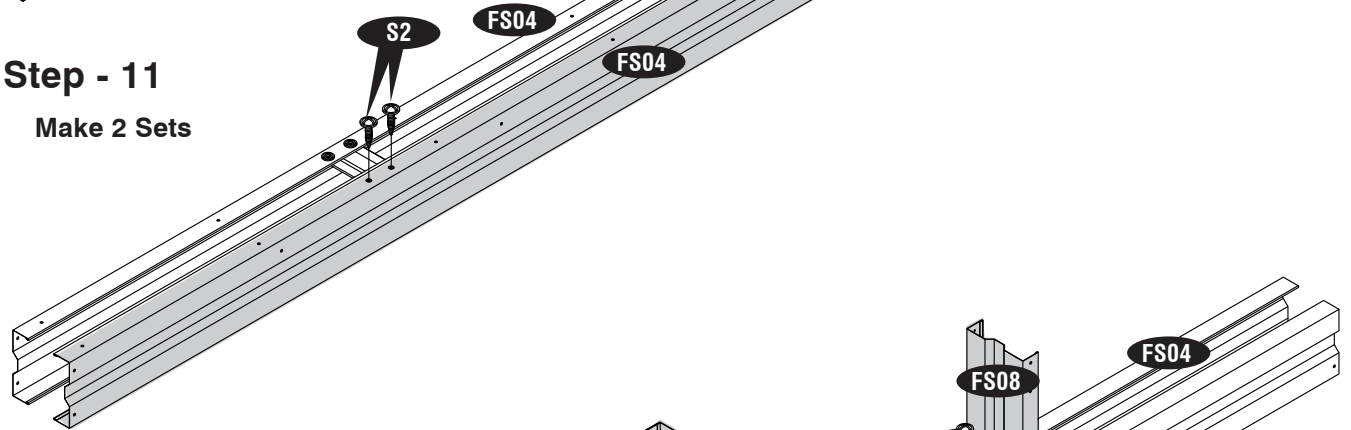
Step - 10

Make 2 Sets



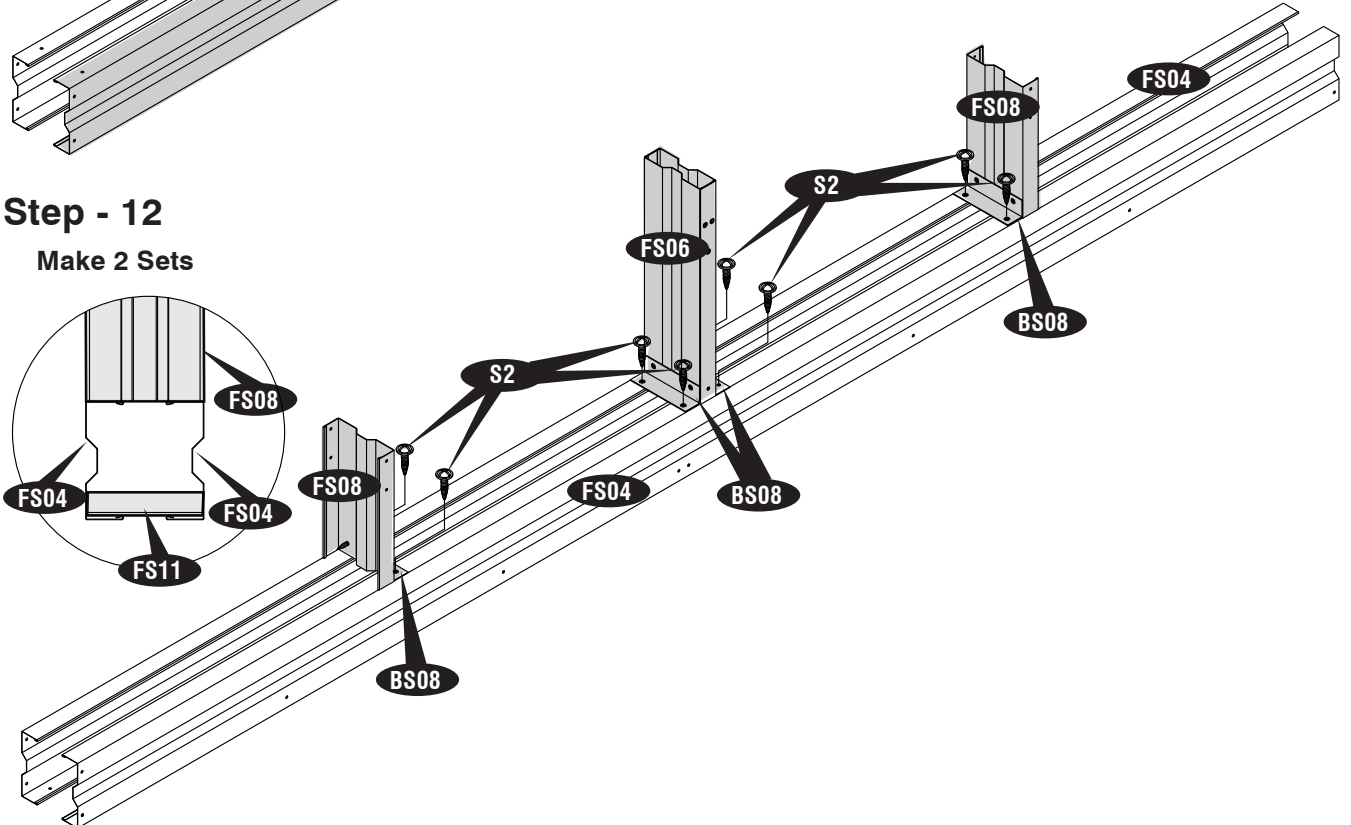
Step - 11

Make 2 Sets



Step - 12

Make 2 Sets



IMPORTANT: USE HAND GLOVES TO PREVENT INJURY.

Step - 13

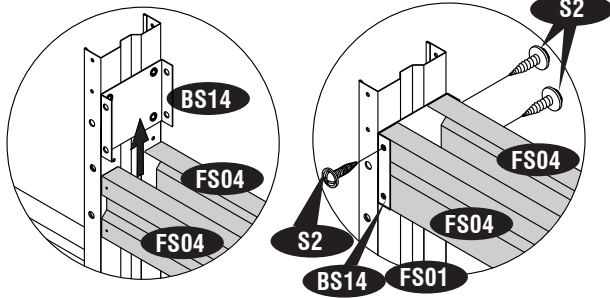


Fig.1

Fig.2

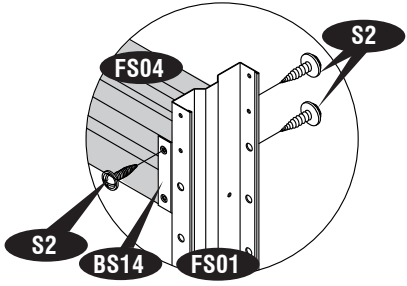
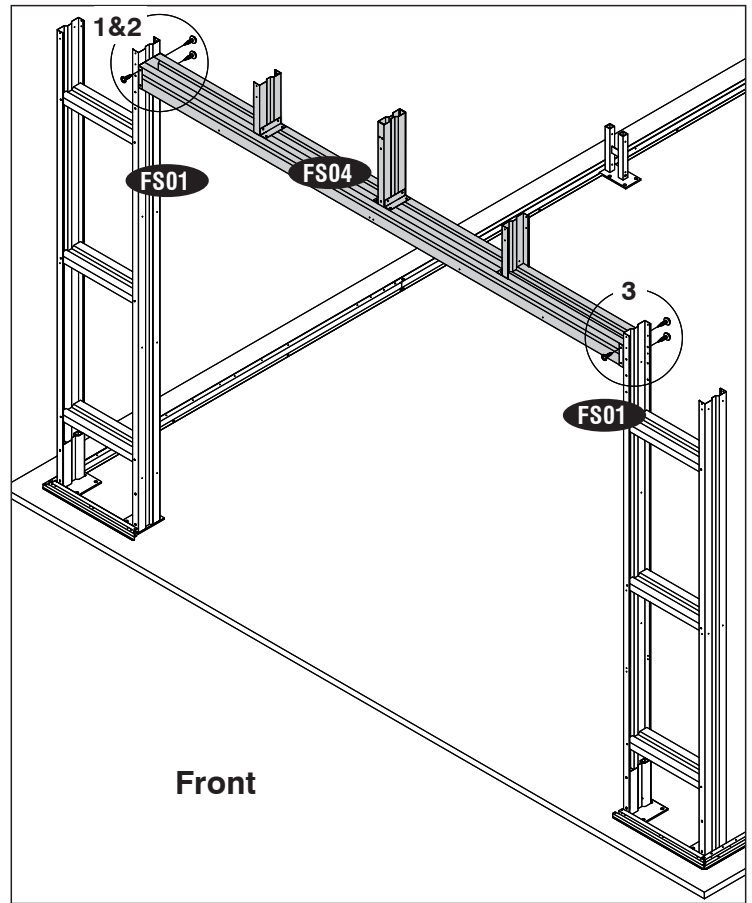


Fig.3



Step - 14

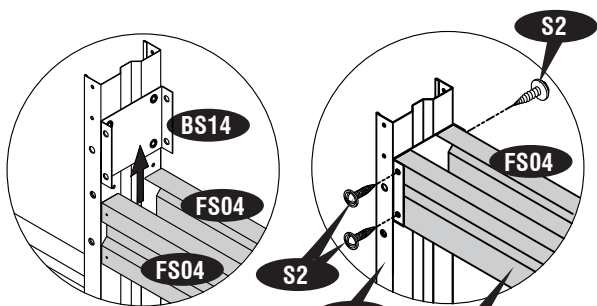


Fig.1

Fig.2

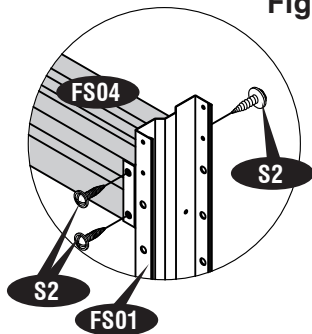
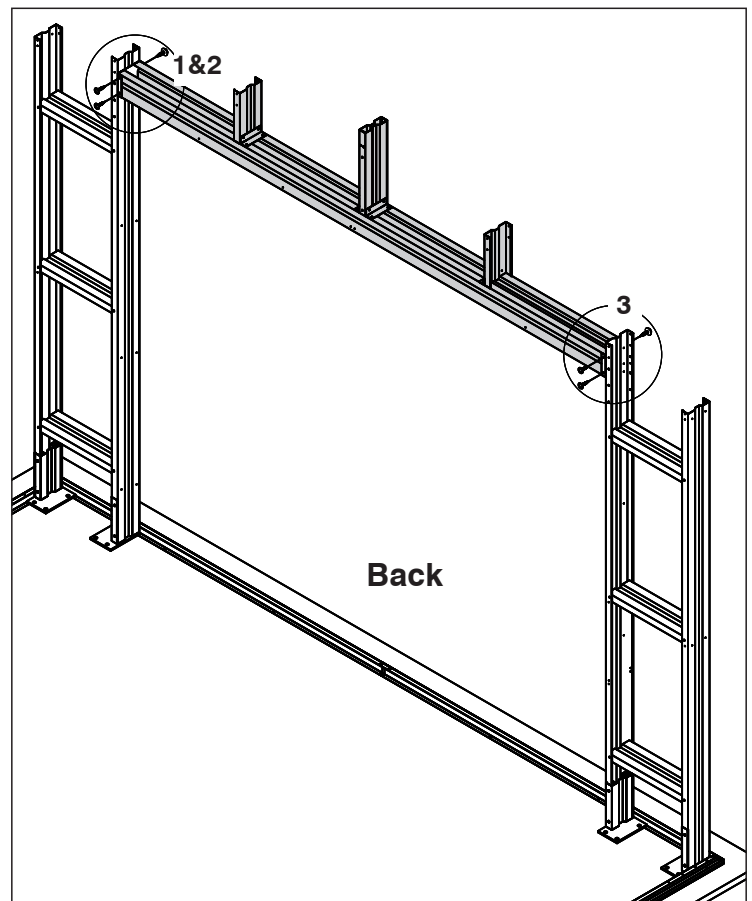
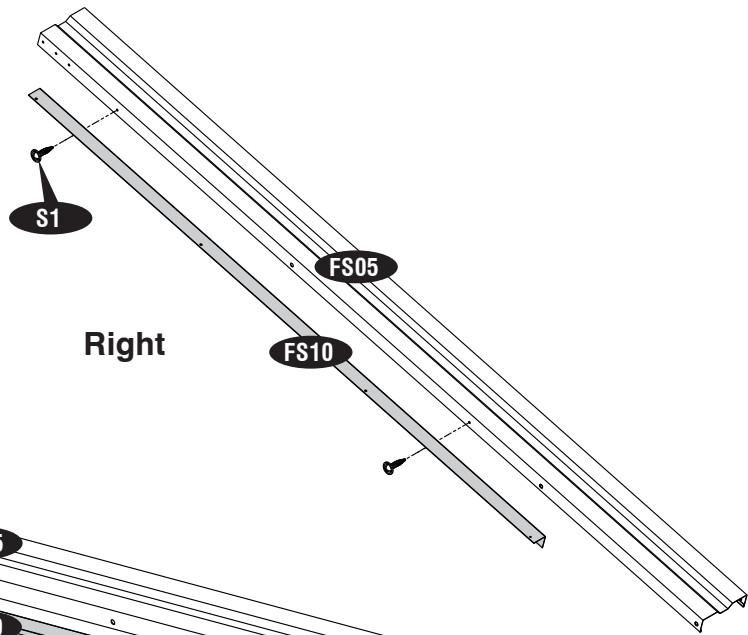


Fig.3



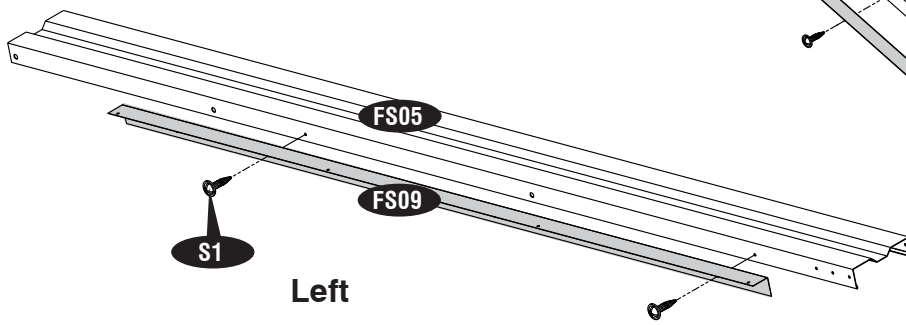
Step - 15

Make 2 Sets

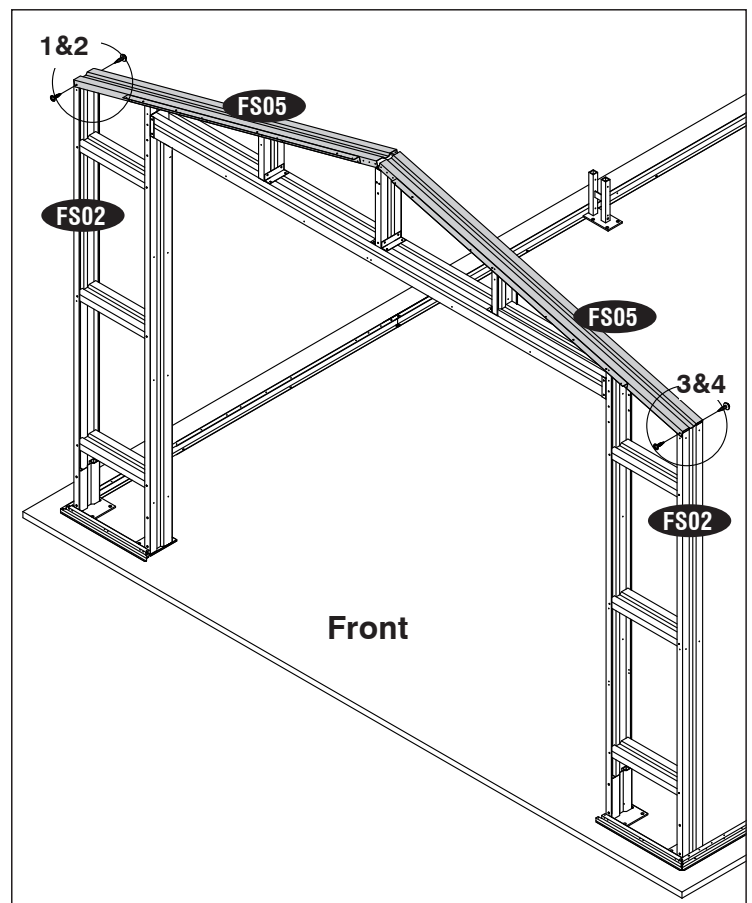
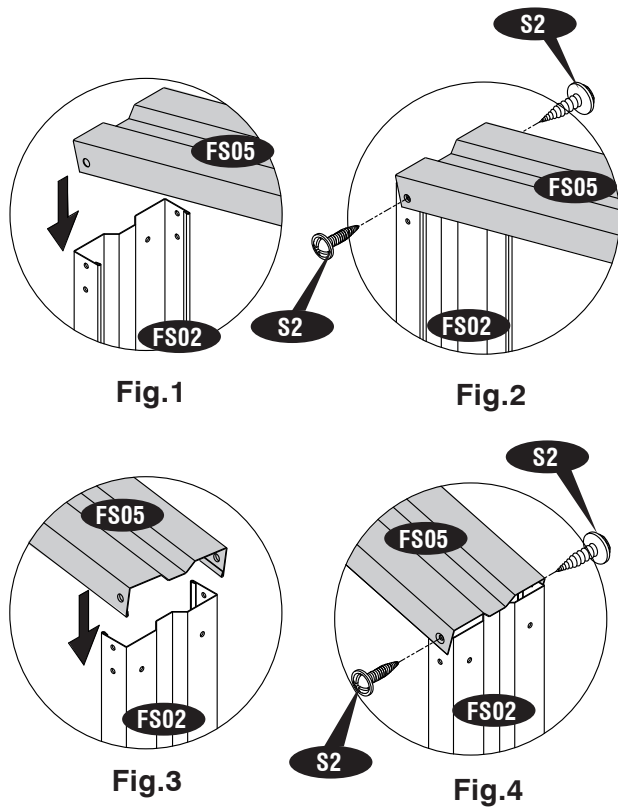


Step - 16

Make 2 Sets

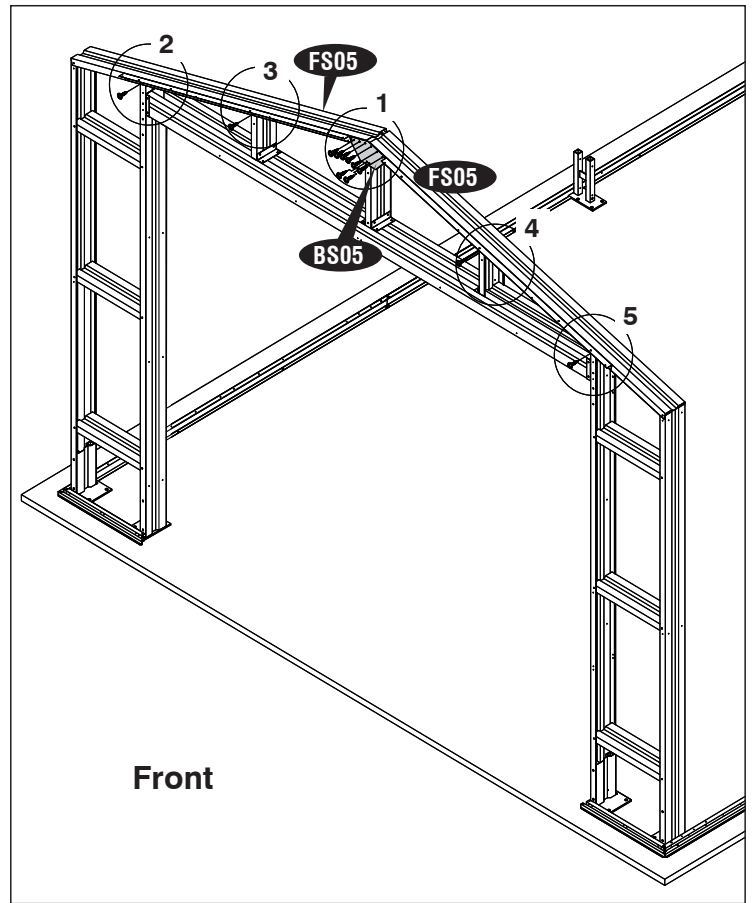
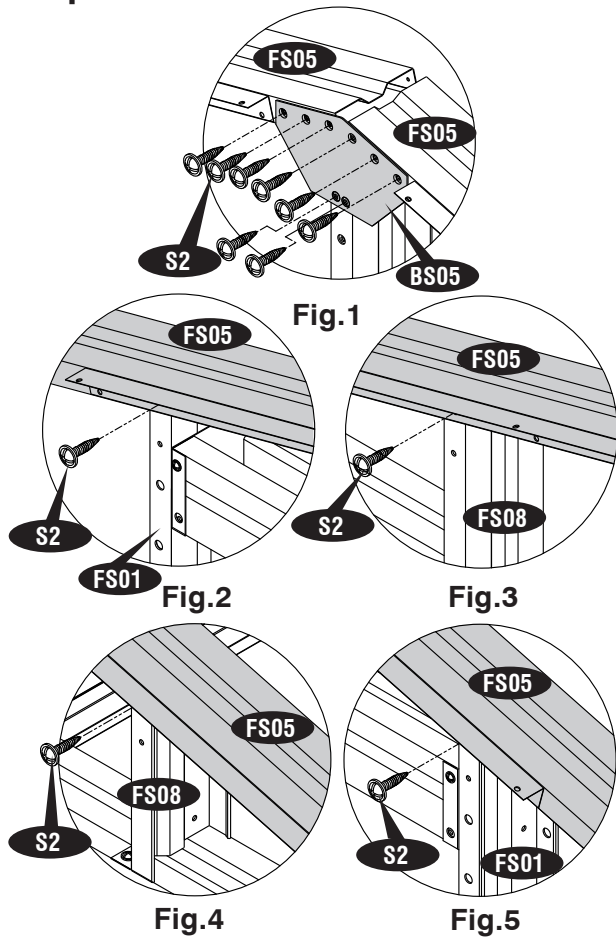


Step - 17

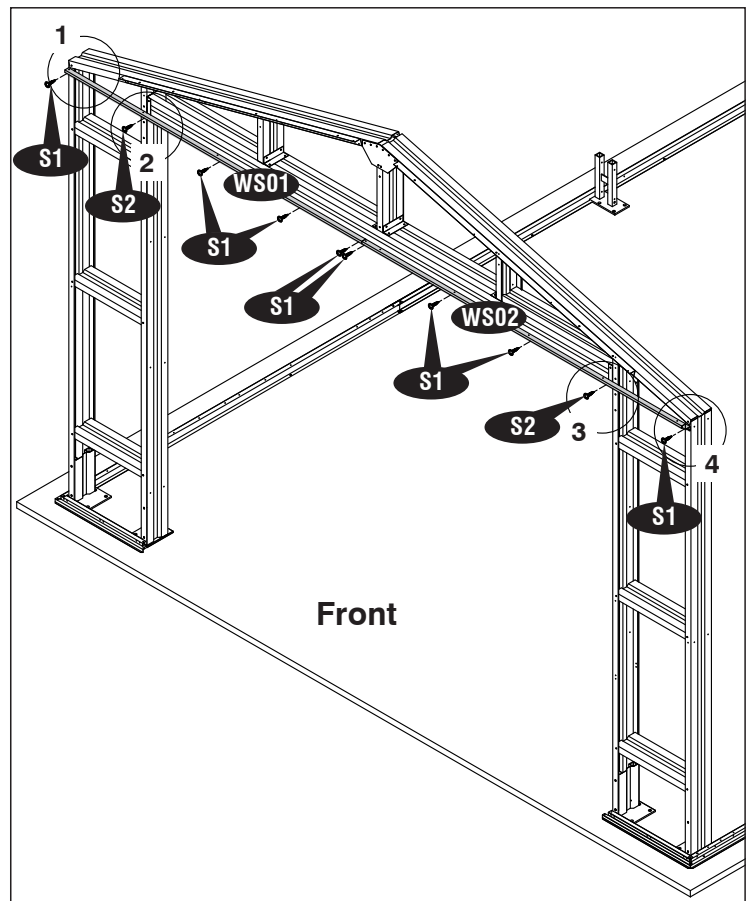
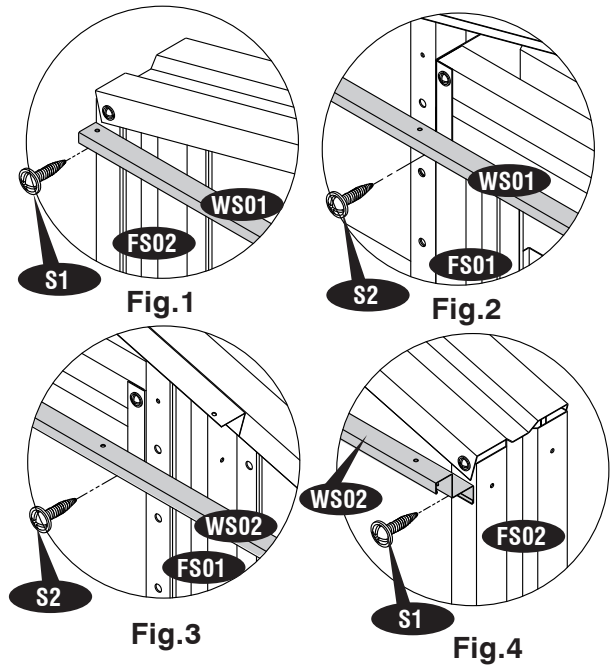


IMPORTANT: USE HAND GLOVES TO PREVENT INJURY.

Step - 18



Step - 19



Step - 20

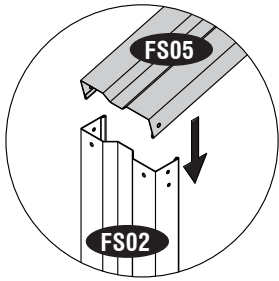


Fig.1

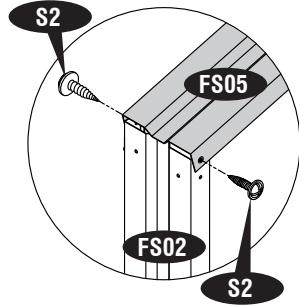


Fig.2

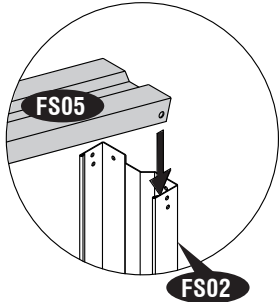


Fig.3

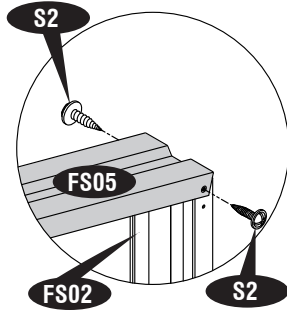
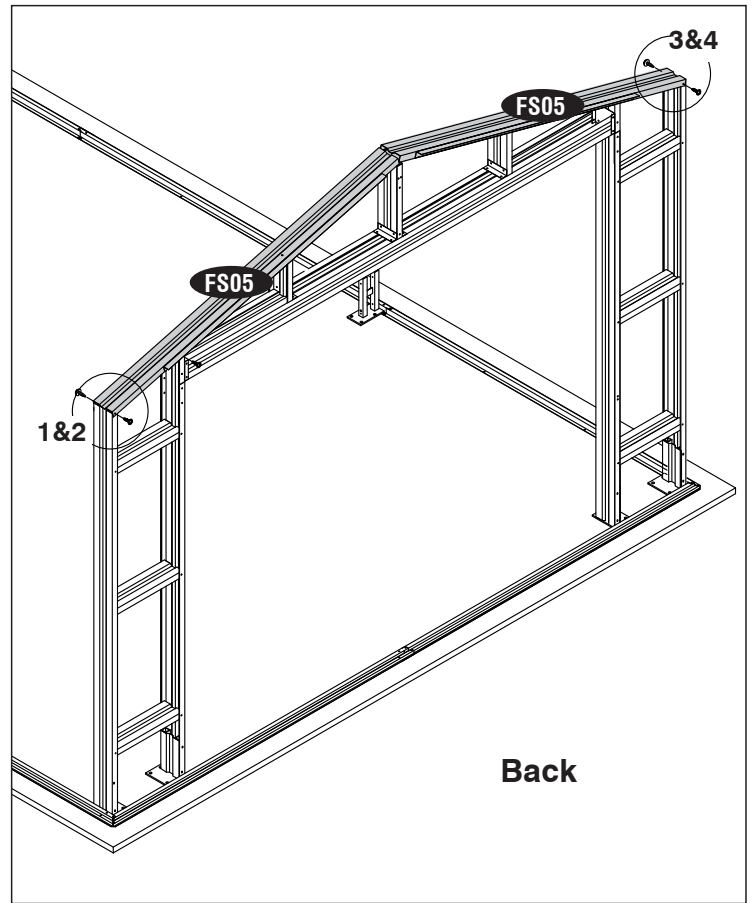


Fig.4



Back

Step - 21

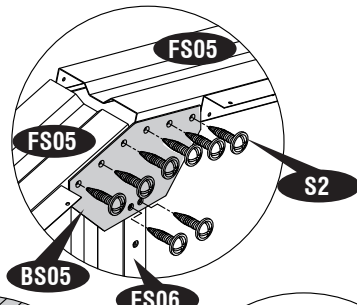


Fig.1

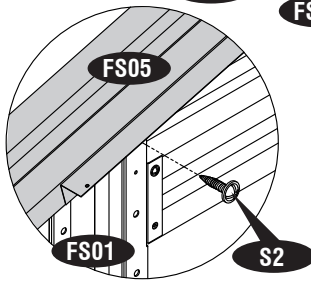


Fig.2

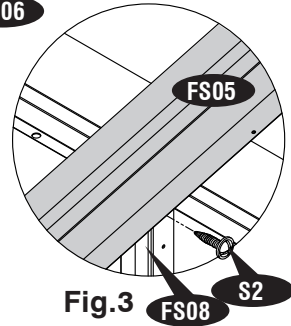


Fig.3

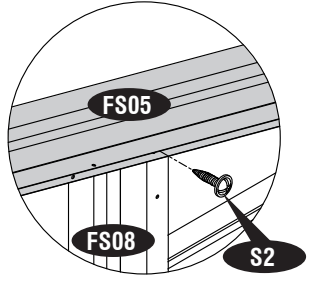


Fig.4

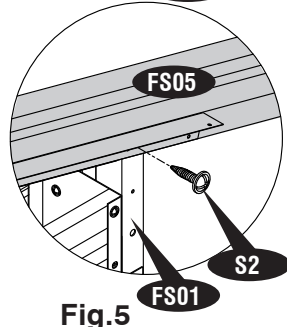
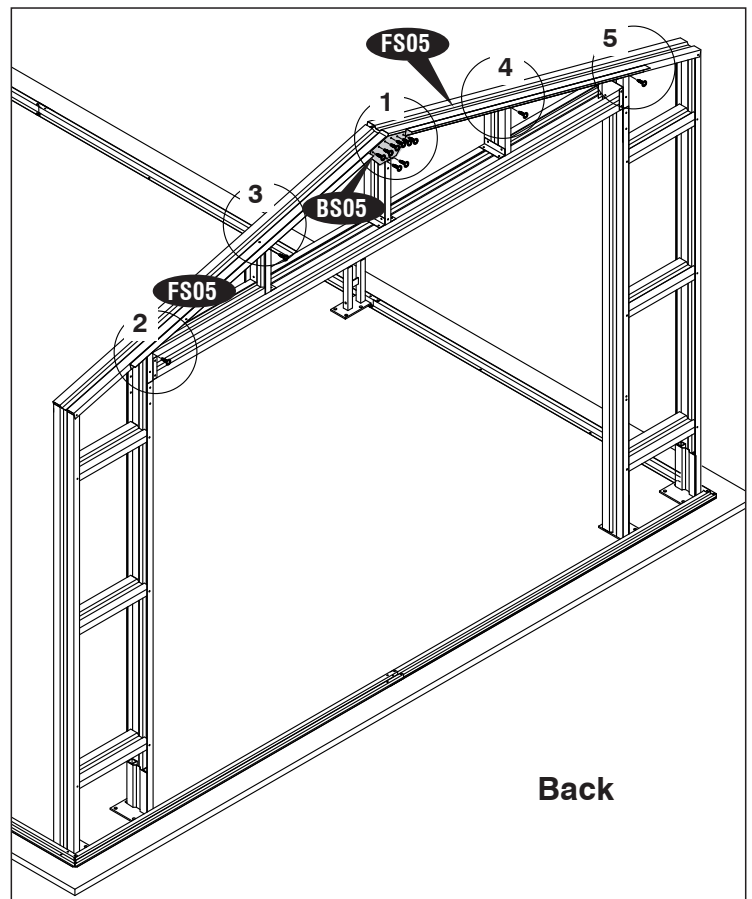


Fig.5



Back

Step - 22

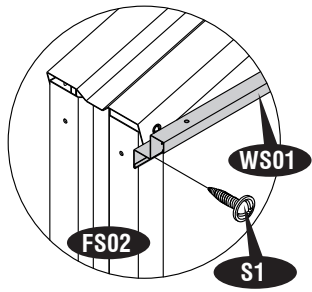


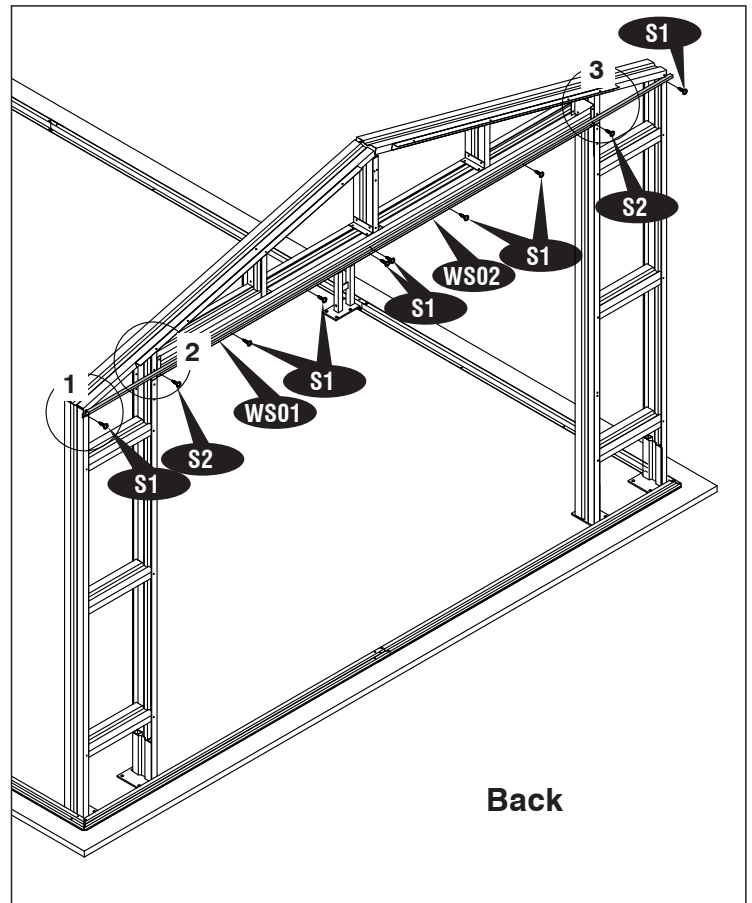
Fig.1



Fig.2



Fig.3



Back

Step - 23

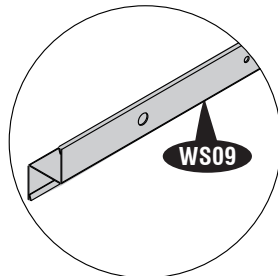
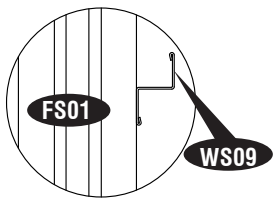


Fig.1

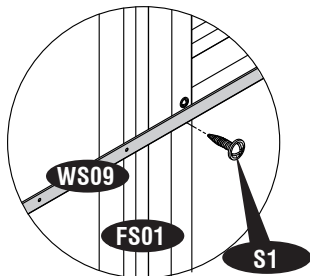
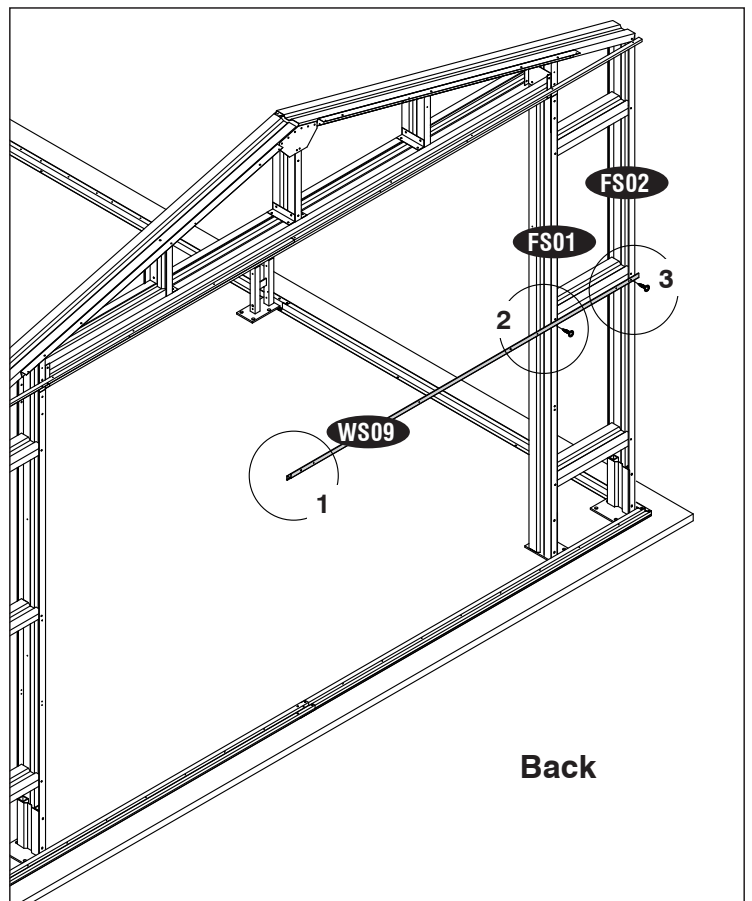


Fig. 2



Fig.3



Back

Step - 24

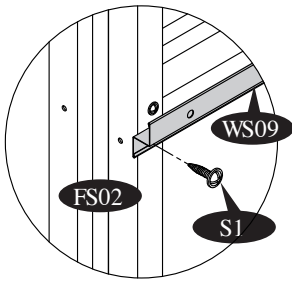


Fig. 1



Fig. 2

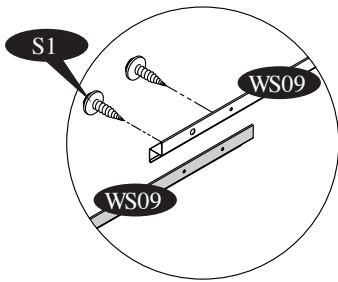
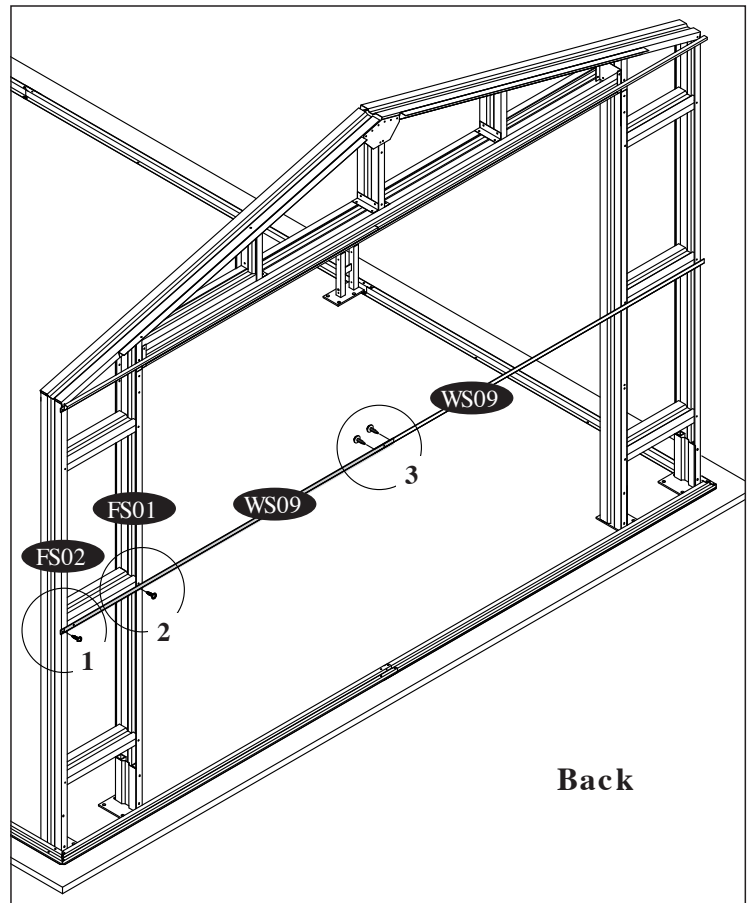


Fig. 3



Back

Step - 25

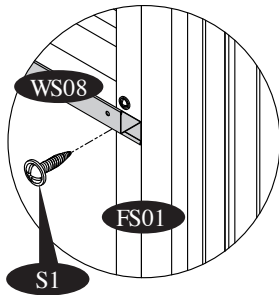


Fig. 1

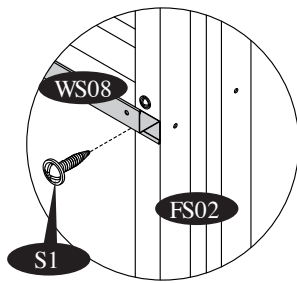


Fig. 2

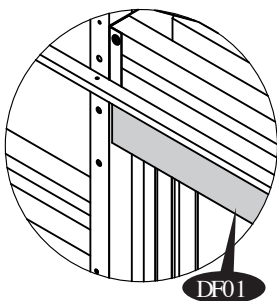


Fig. 3

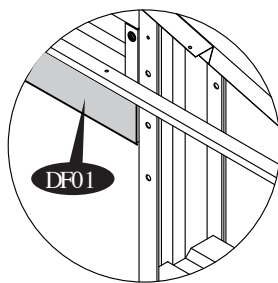
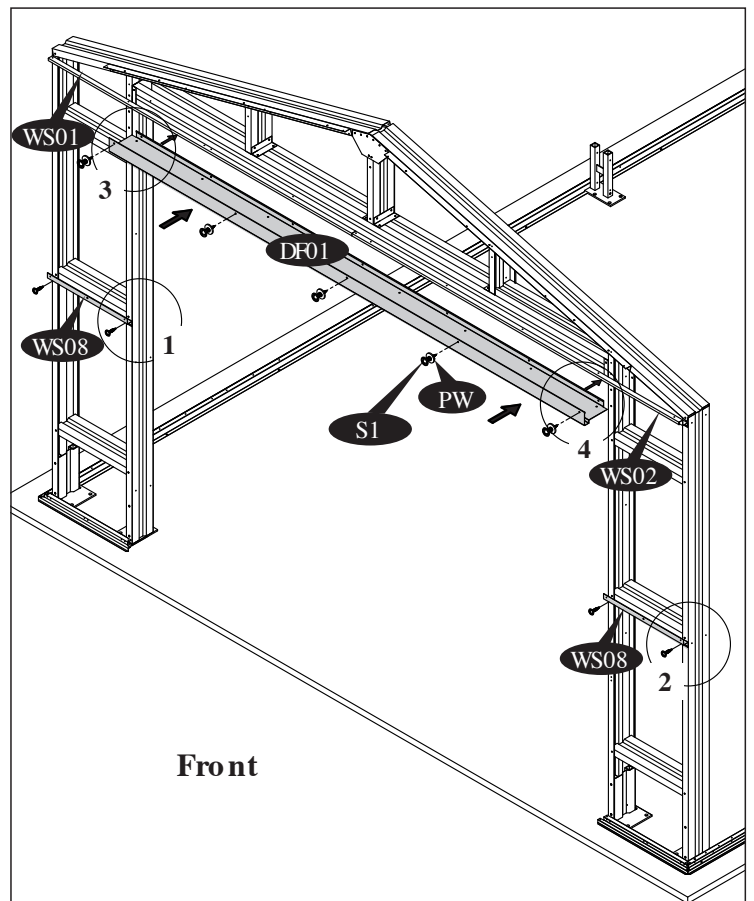
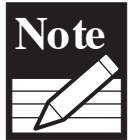


Fig. 4



Front

Step - 26



It is important that Use S1 Screws first.

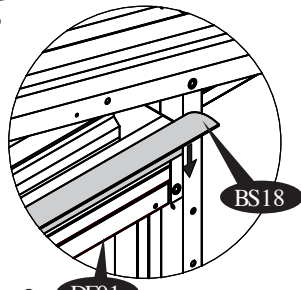
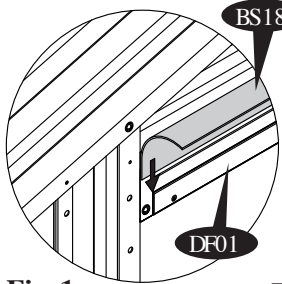
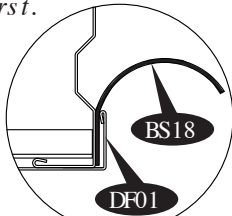


Fig.1

Fig.2

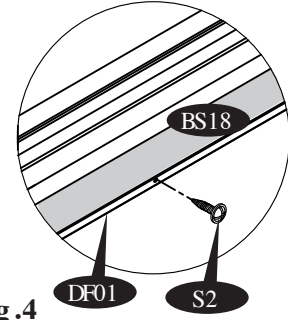
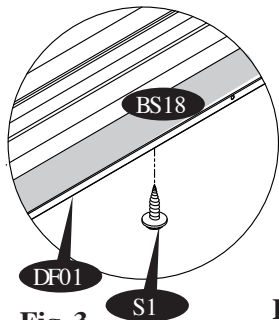
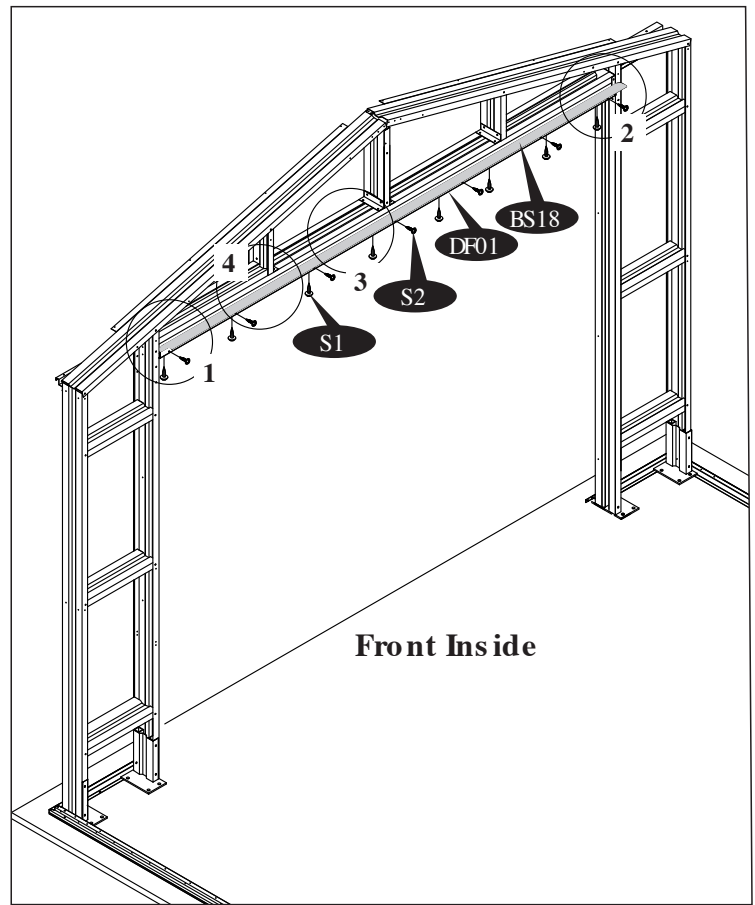


Fig.3

Fig.4



Front Inside

Step - 27

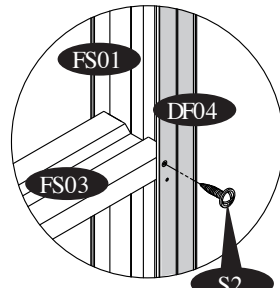
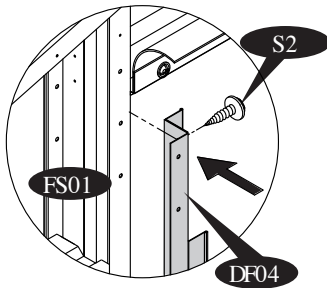


Fig.1

Fig.2

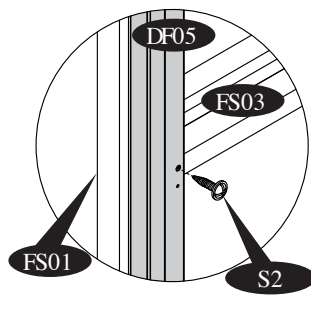
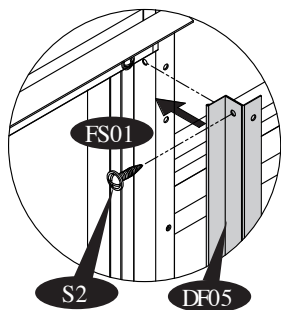
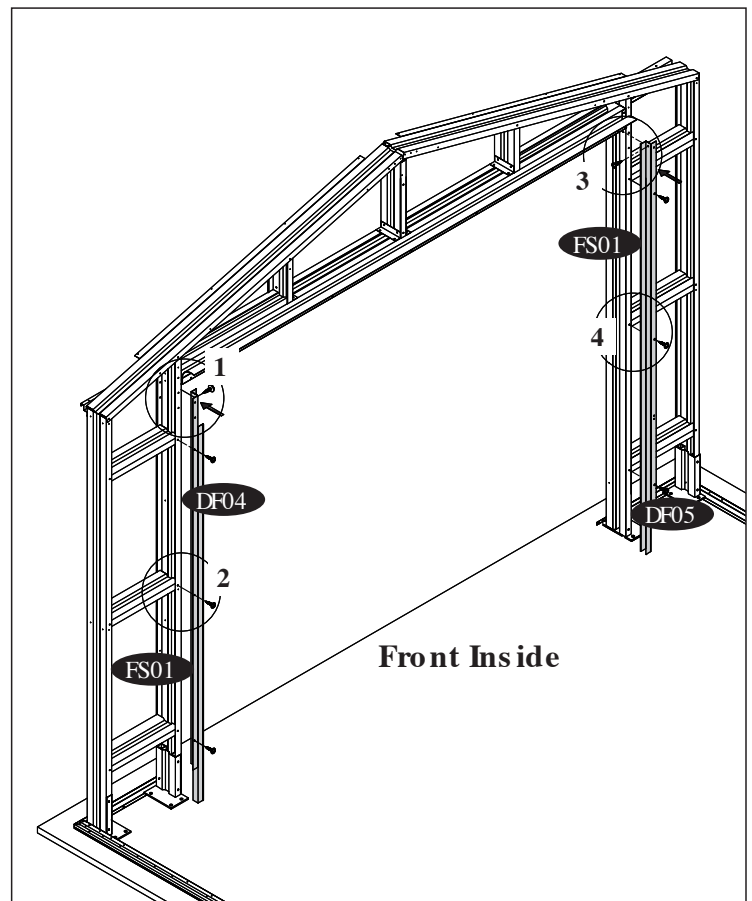


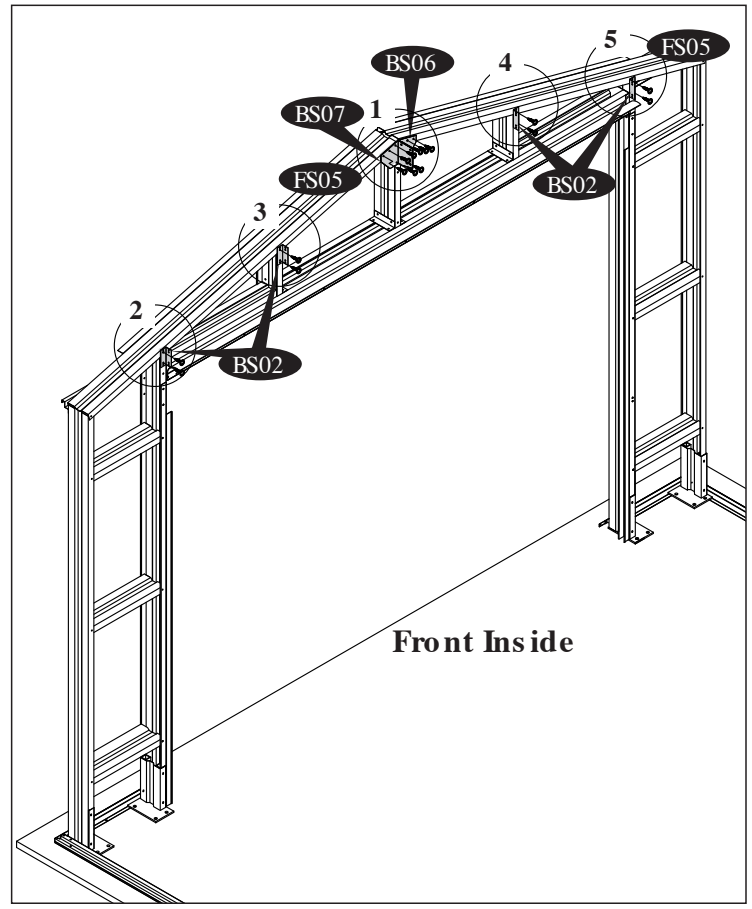
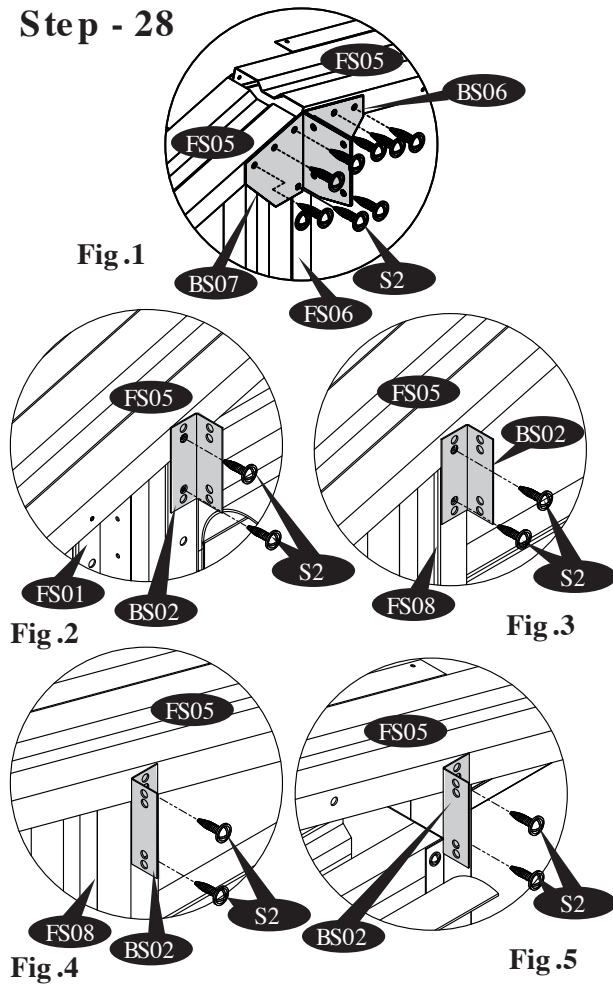
Fig.3

Fig.4

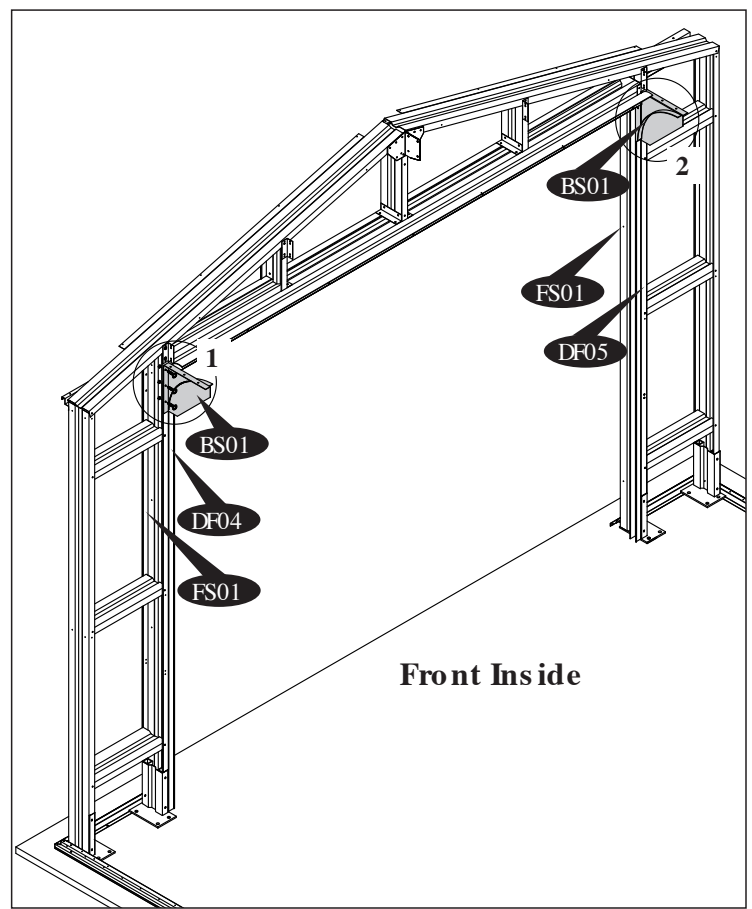
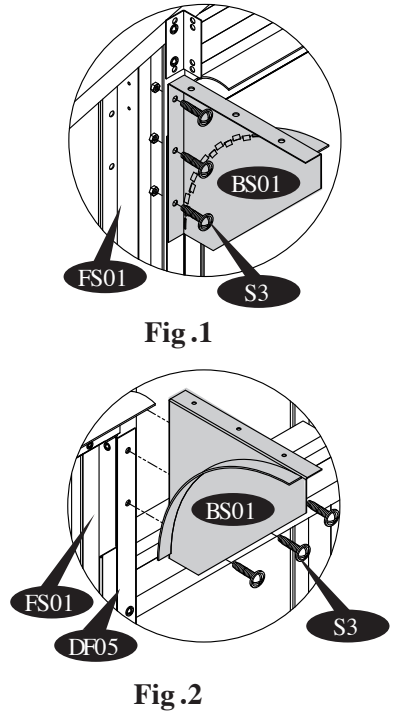


Front Inside

Step - 28



Step - 29



Step - 30

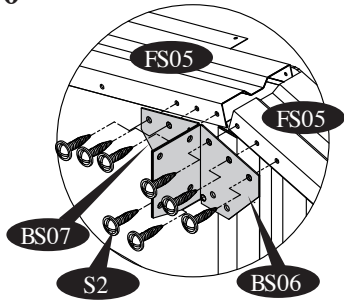


Fig.1

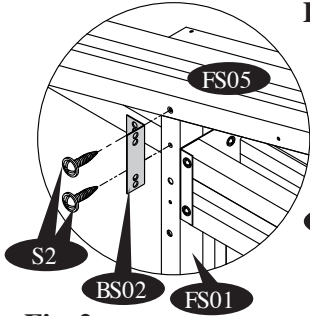


Fig.2

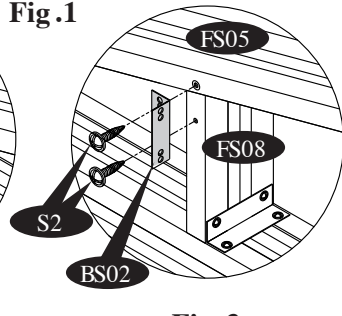


Fig.3

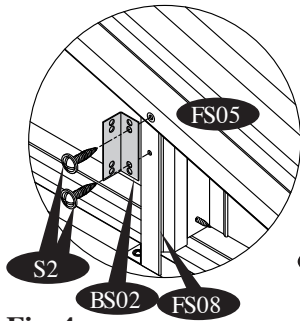


Fig.4

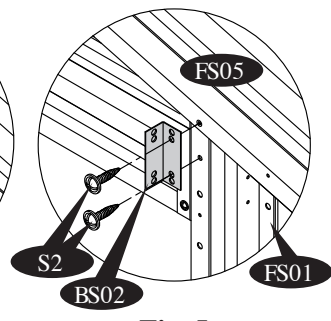
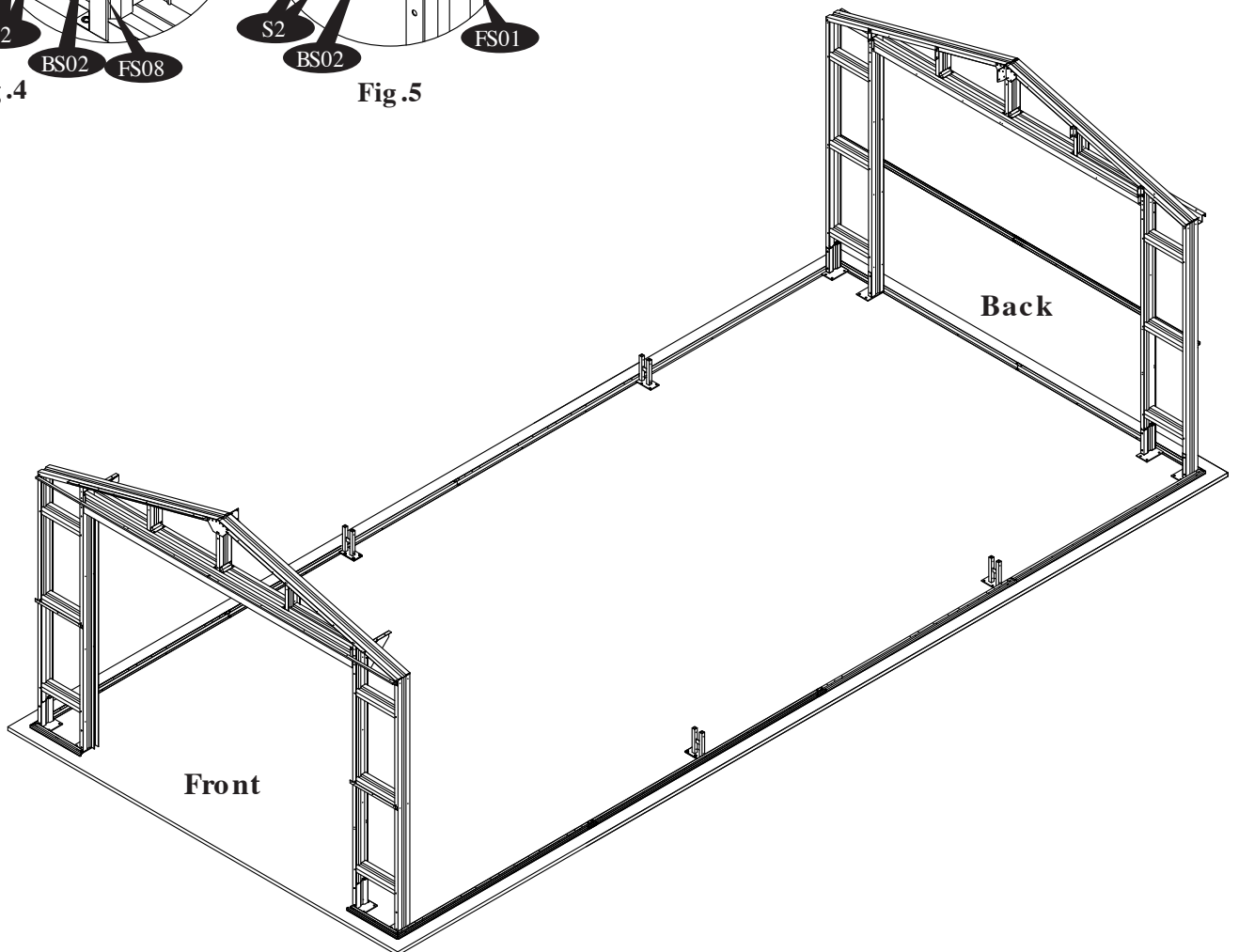
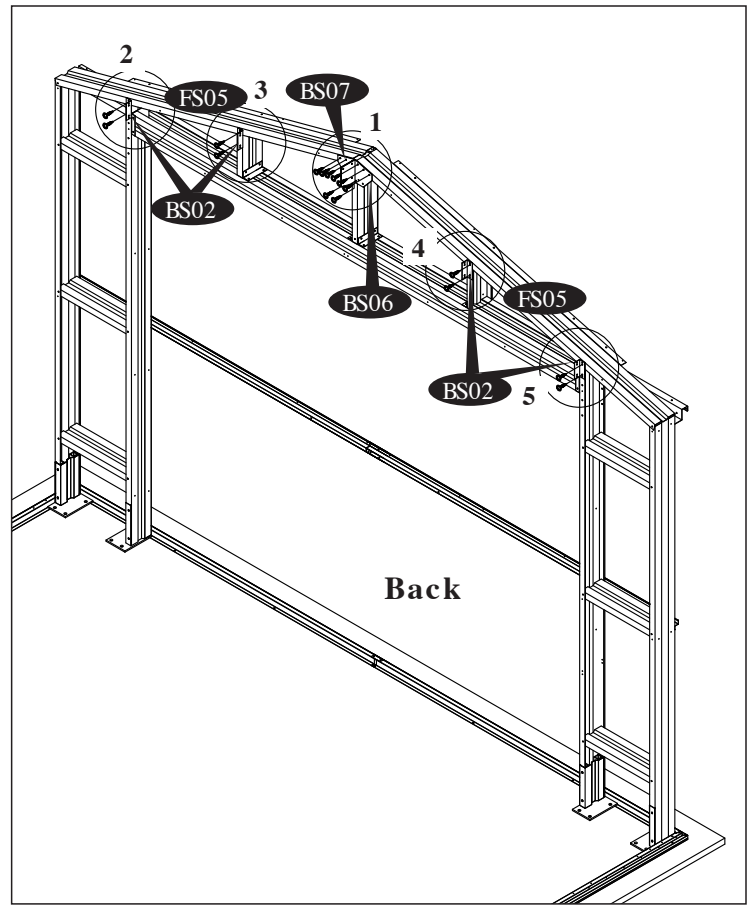


Fig.5



IMPORTANT: USE HAND GLOVES TO PREVENT INJURY.

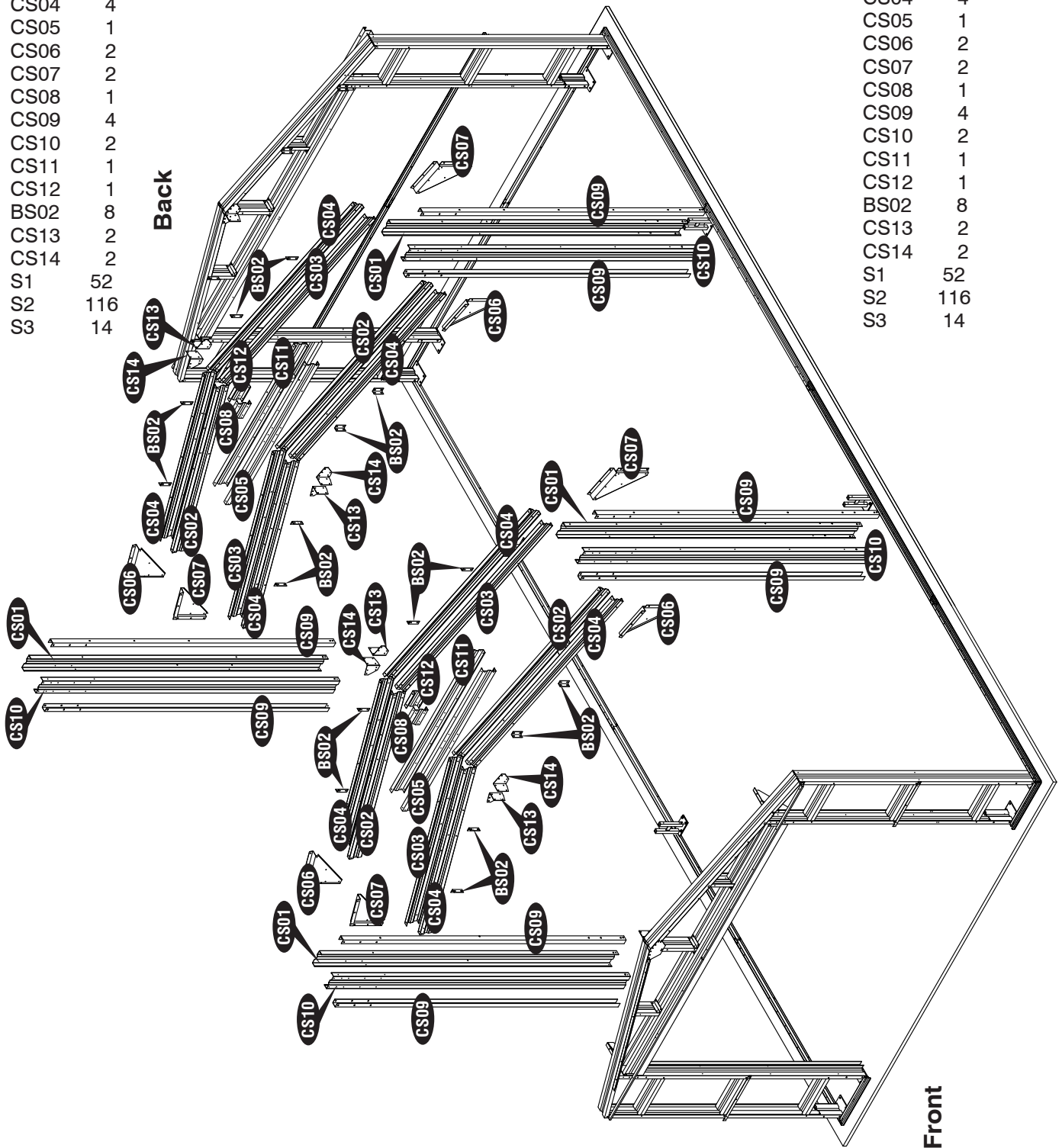
C. Center Structure Assembly

Parts Needed:

Code	Qty
CS01	2
CS02	2
CS03	2
CS04	4
CS05	1
CS06	2
CS07	2
CS08	1
CS09	4
CS10	2
CS11	1
CS12	1
BS02	8
CS13	2
CS14	2
S1	52
S2	116
S3	14

Parts Needed for each extension:

Code	Qty
CS01	2
CS02	2
CS03	2
CS04	4
CS05	1
CS06	2
CS07	2
CS08	1
CS09	4
CS10	2
CS11	1
CS12	1
BS02	8
CS13	2
CS14	2
S1	52
S2	116
S3	14



Step - 1

Make 2 Sets

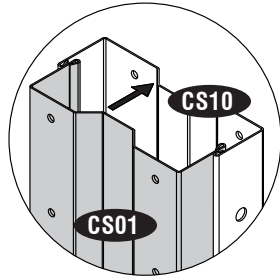


Fig.1

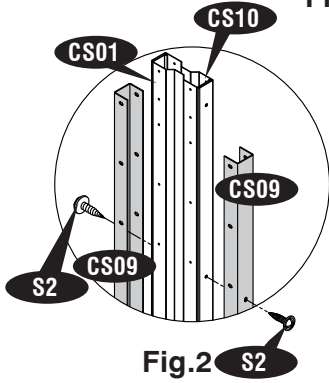


Fig.2

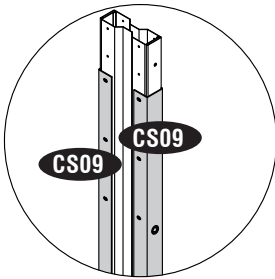
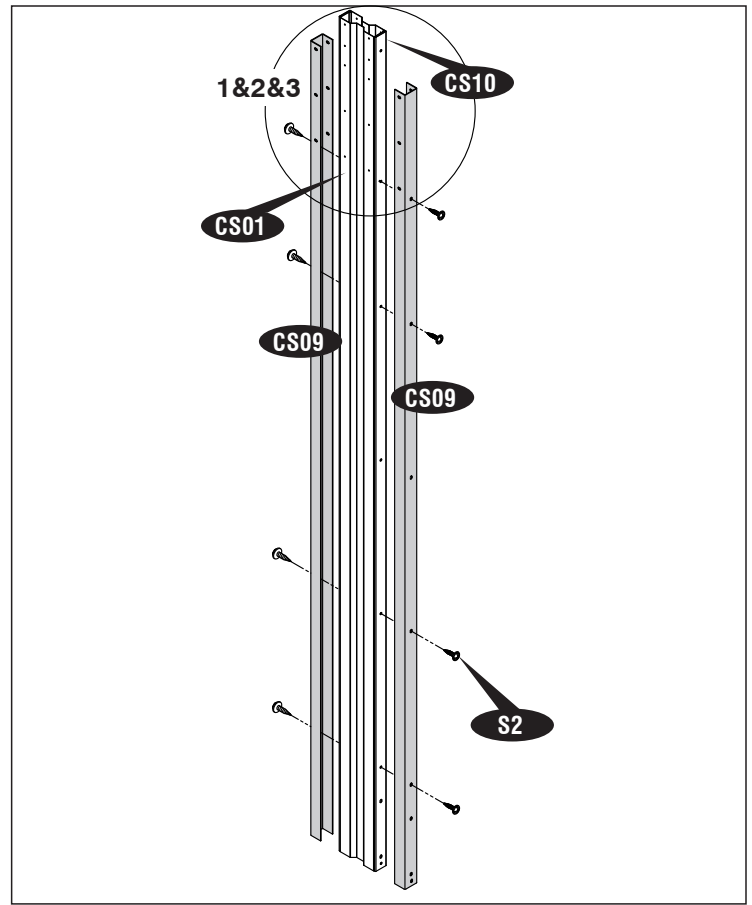
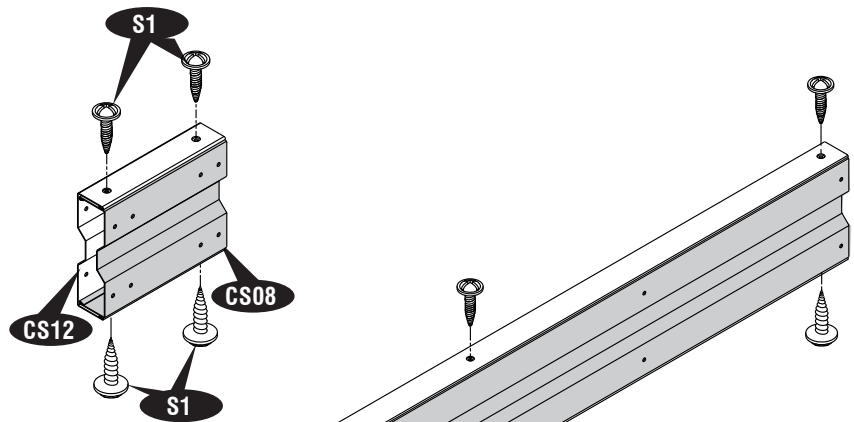
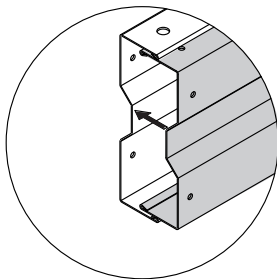


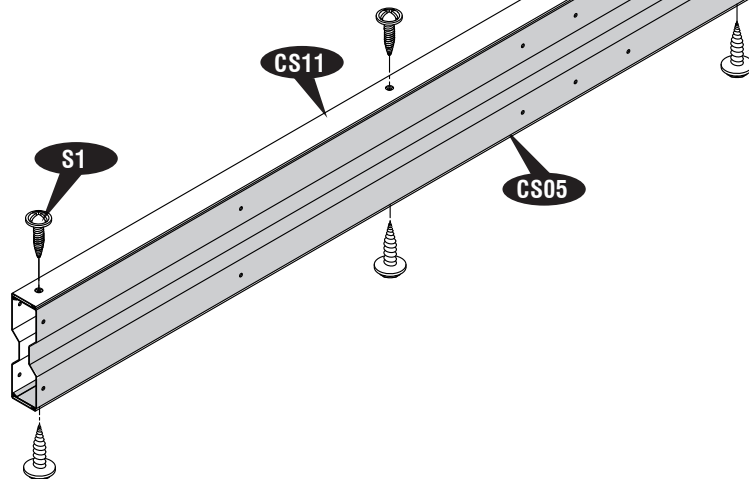
Fig.3



Step - 2

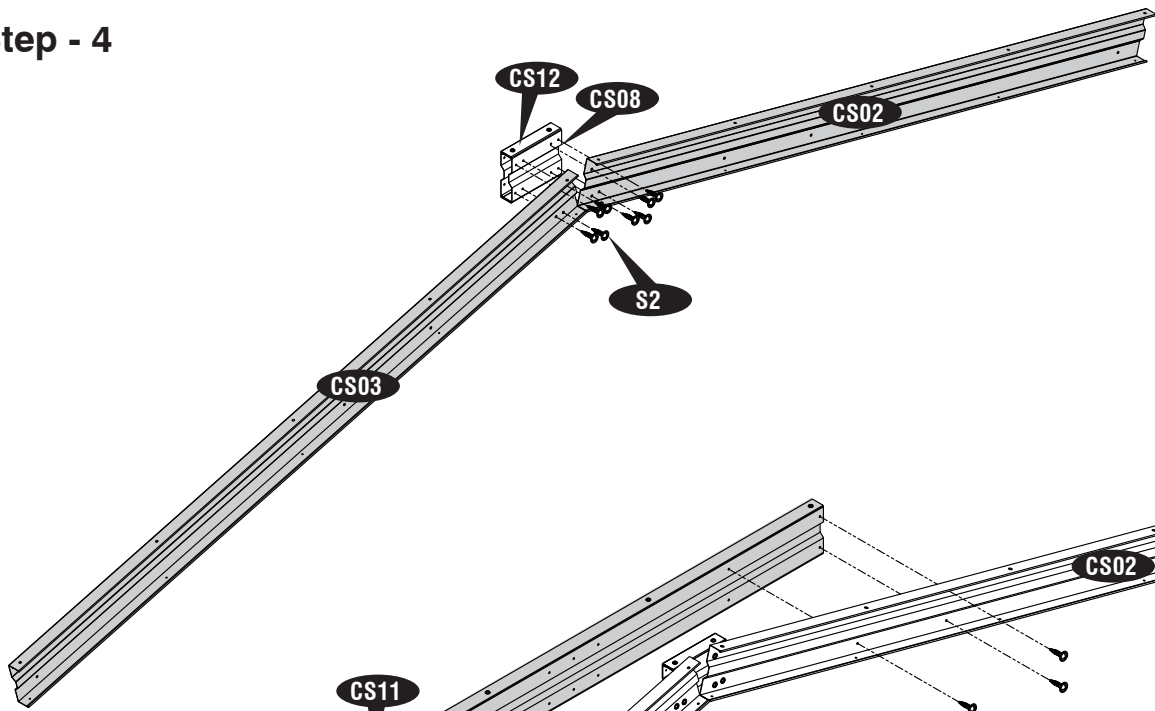


Step - 3

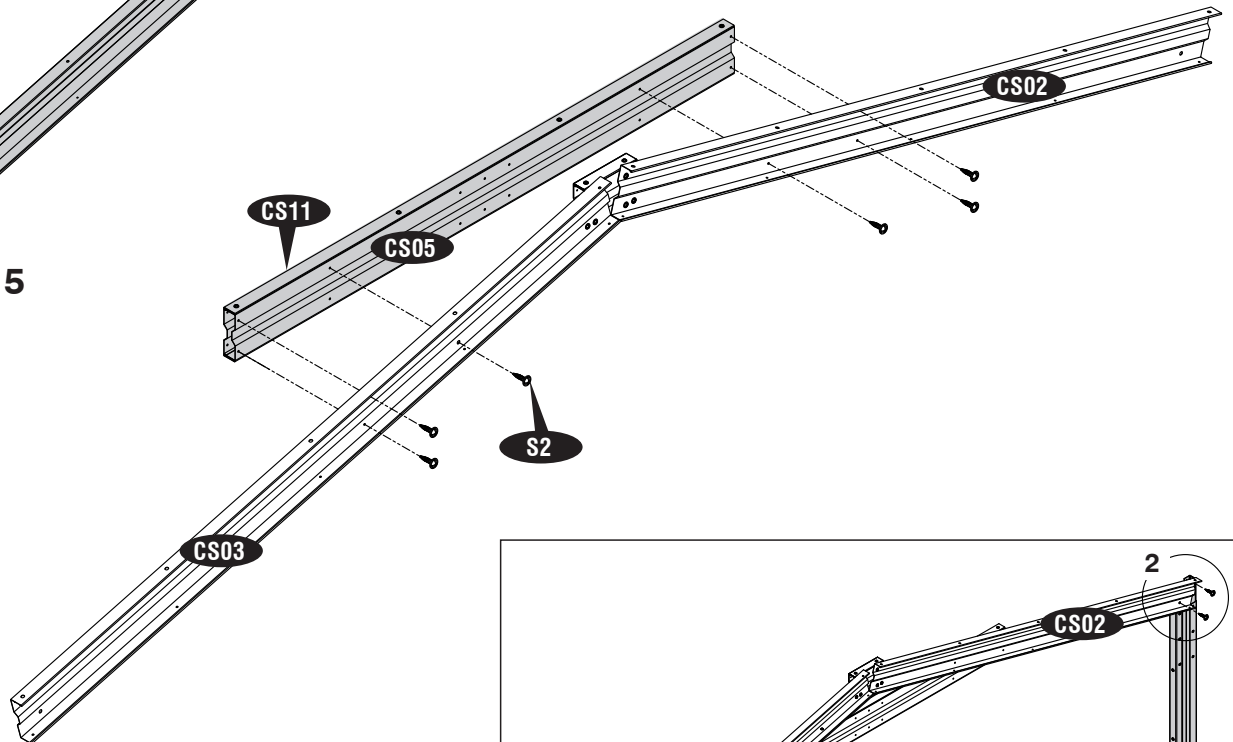


IMPORTANT: USE HAND GLOVES TO PREVENT INJURY.

Step - 4



Step - 5



Step - 6

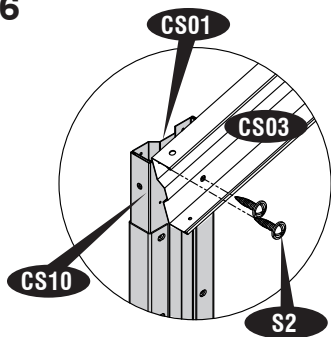


Fig.1

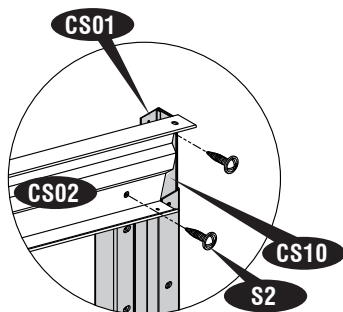
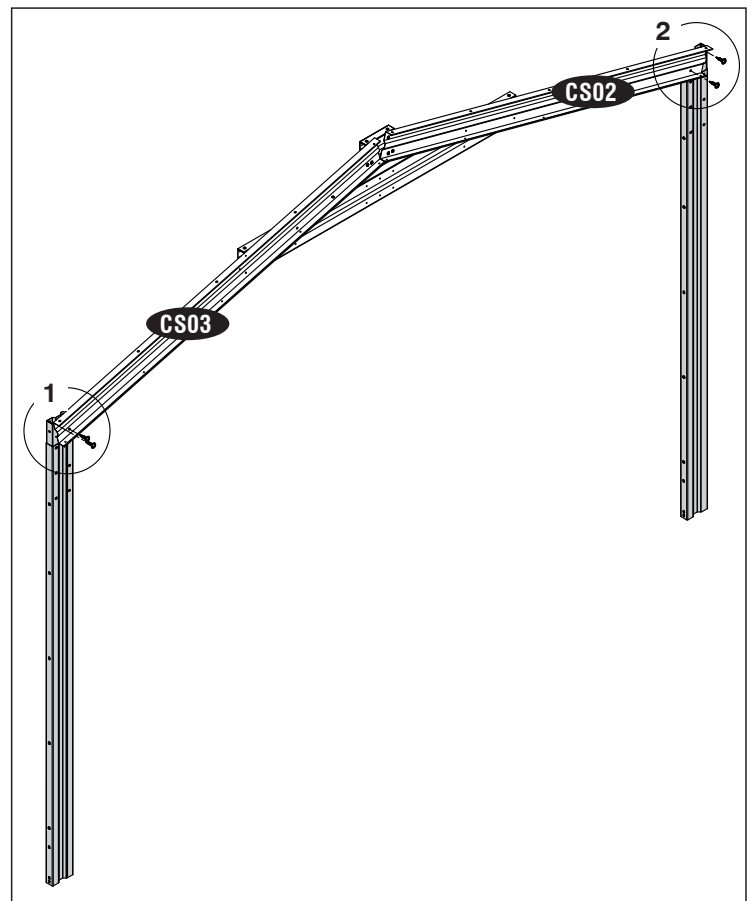


Fig.2



IMPORTANT: USE HAND GLOVES TO PREVENT INJURY.

Step -7

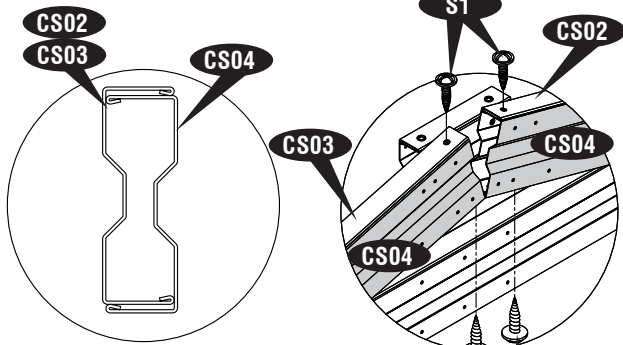


Fig.1

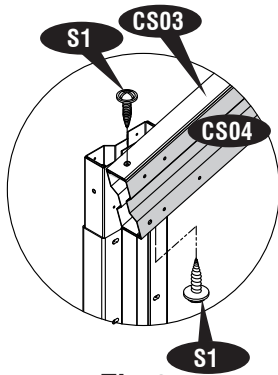


Fig.2

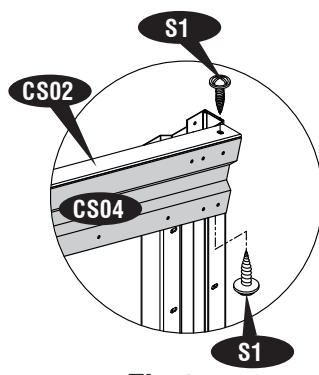
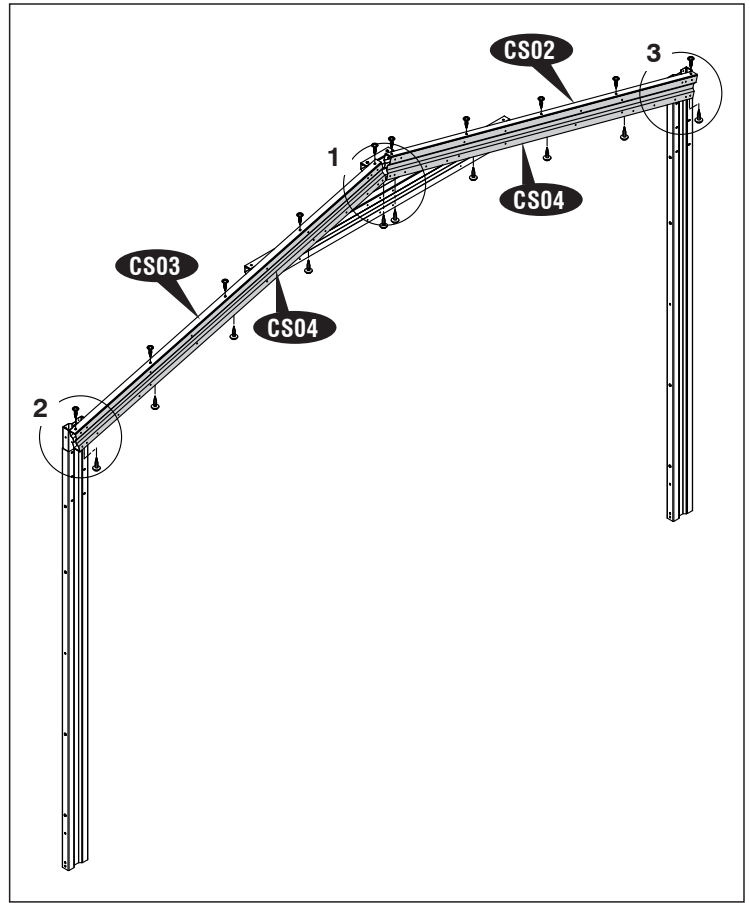


Fig.3



Step -8

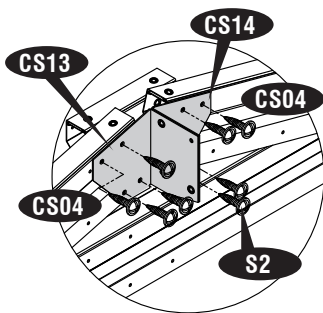
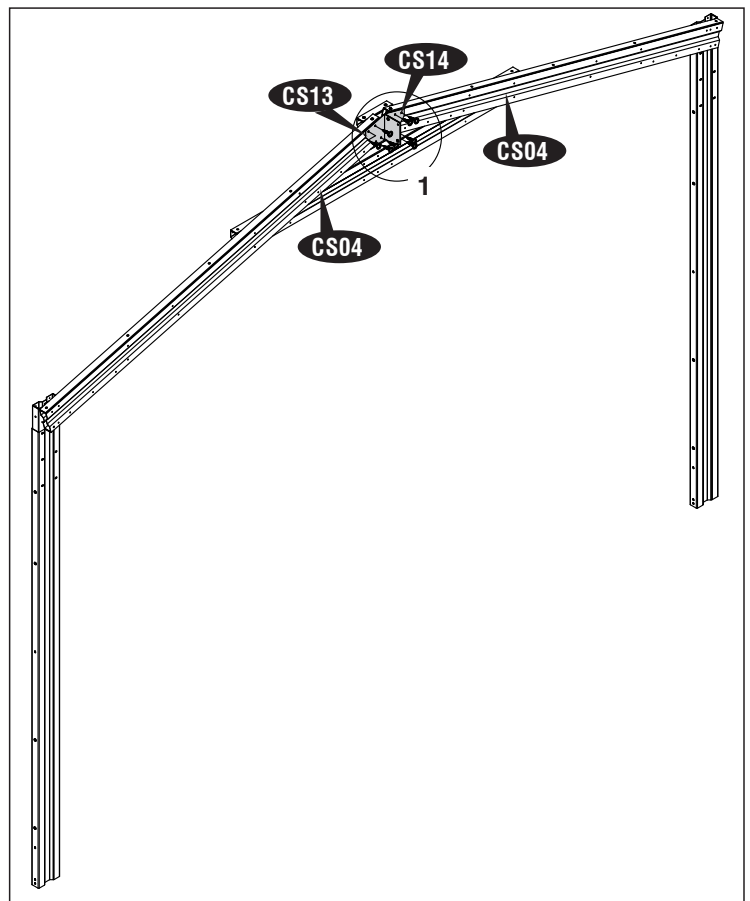


Fig.1



Step -9

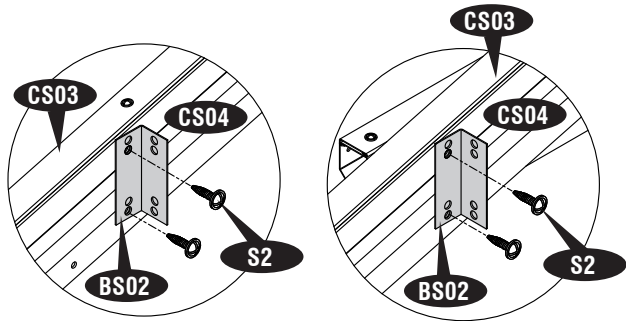


Fig.1

Fig.2

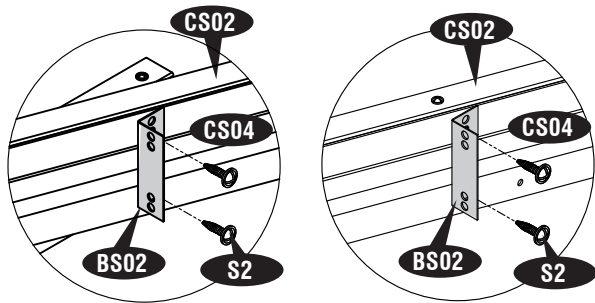
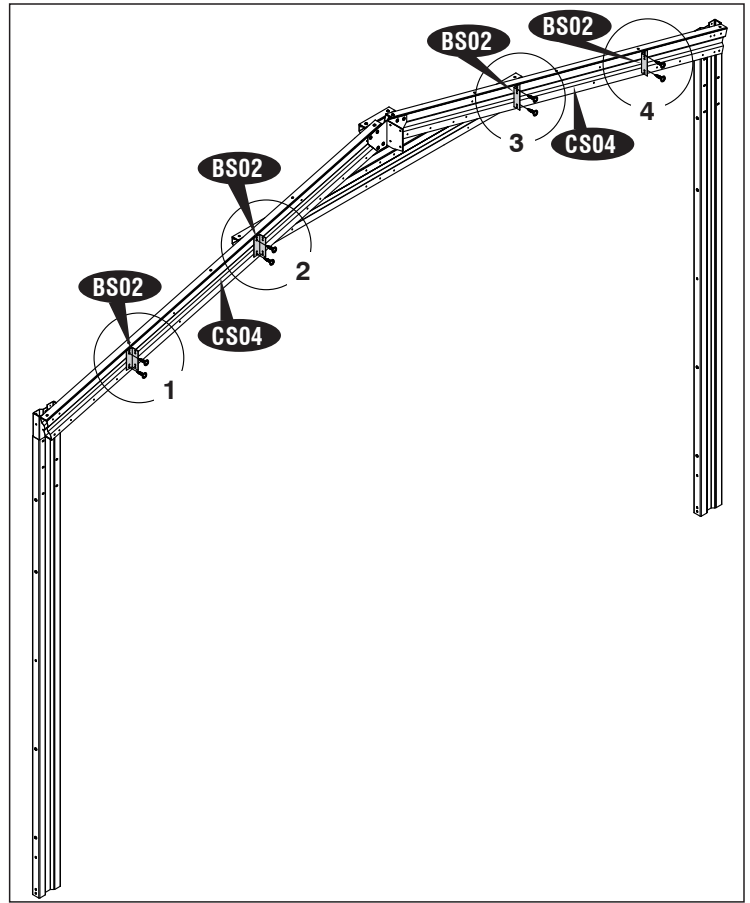


Fig.3

Fig.4



Step -10

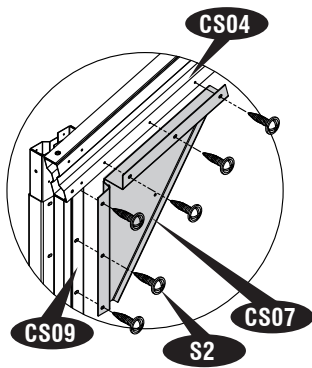


Fig.1

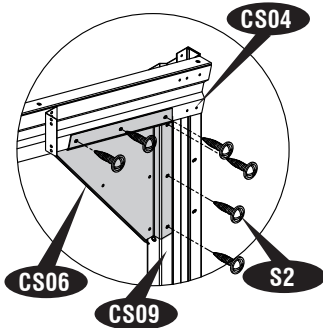
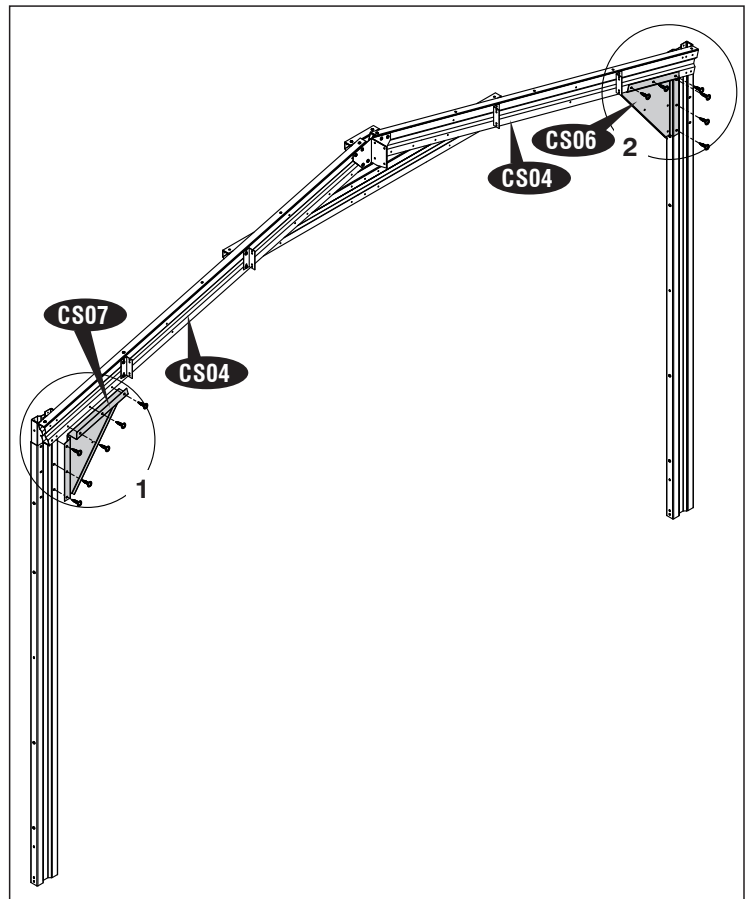
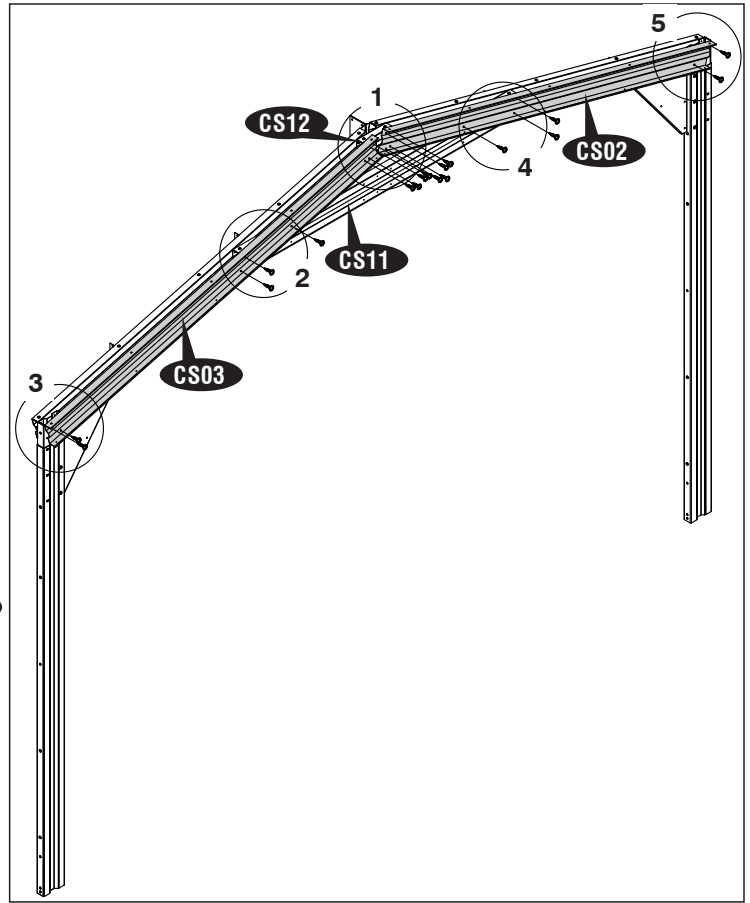
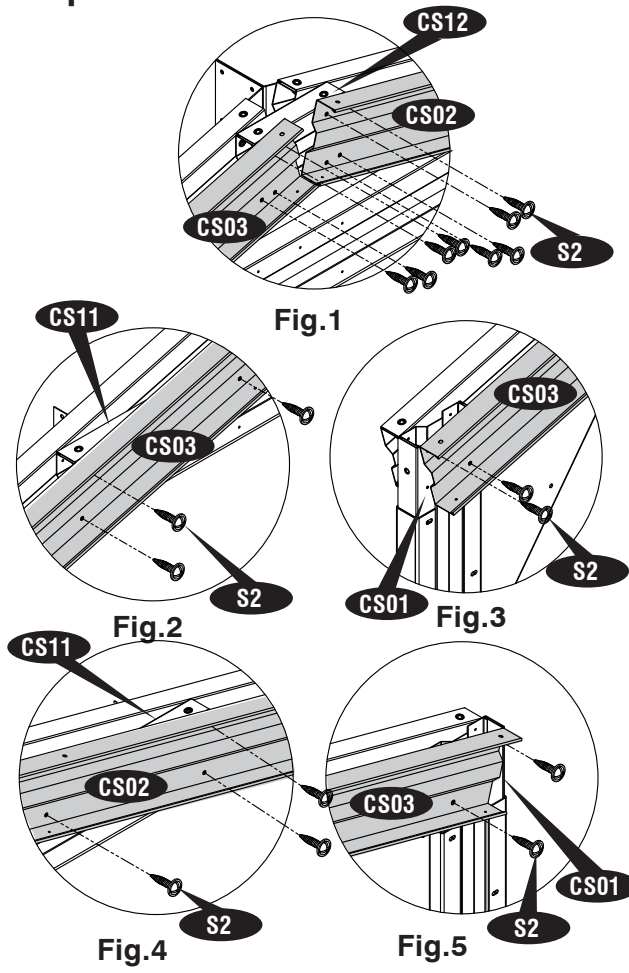


Fig.2

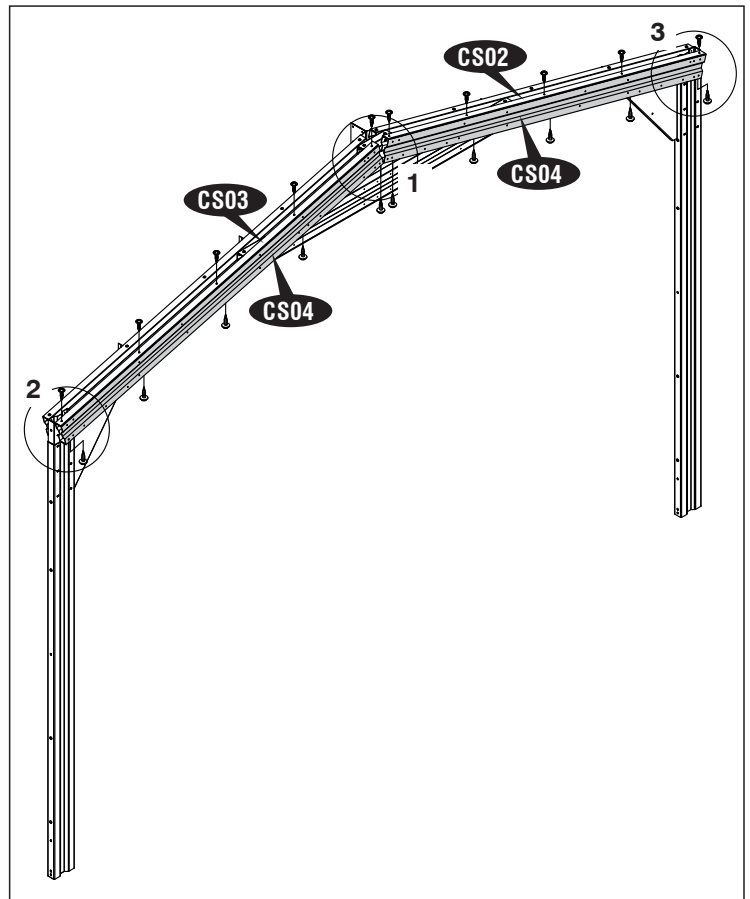
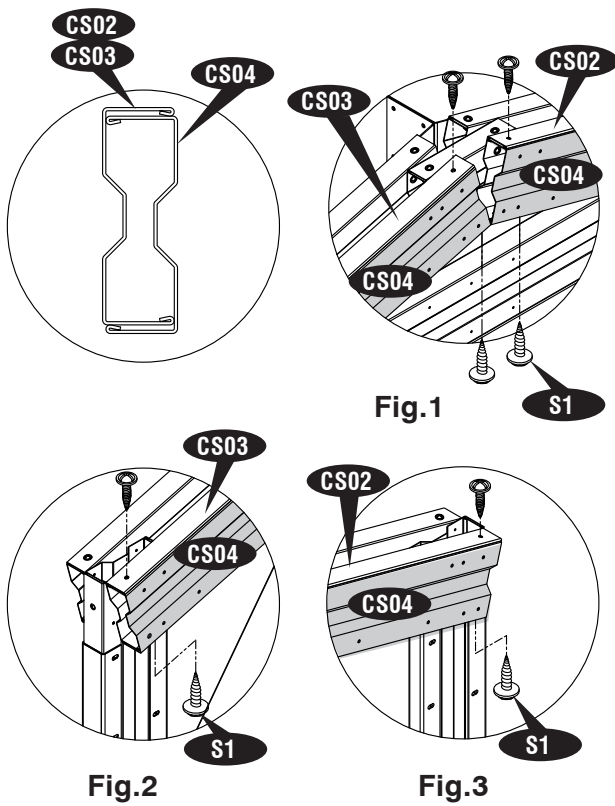


IMPORTANT: USE HAND GLOVES TO PREVENT INJURY.

Step - 11



Step - 12



Step - 13

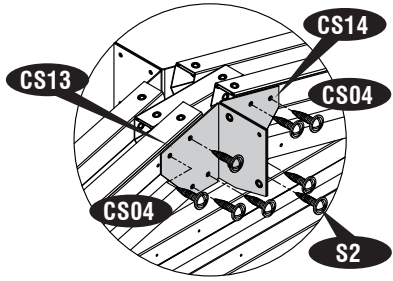
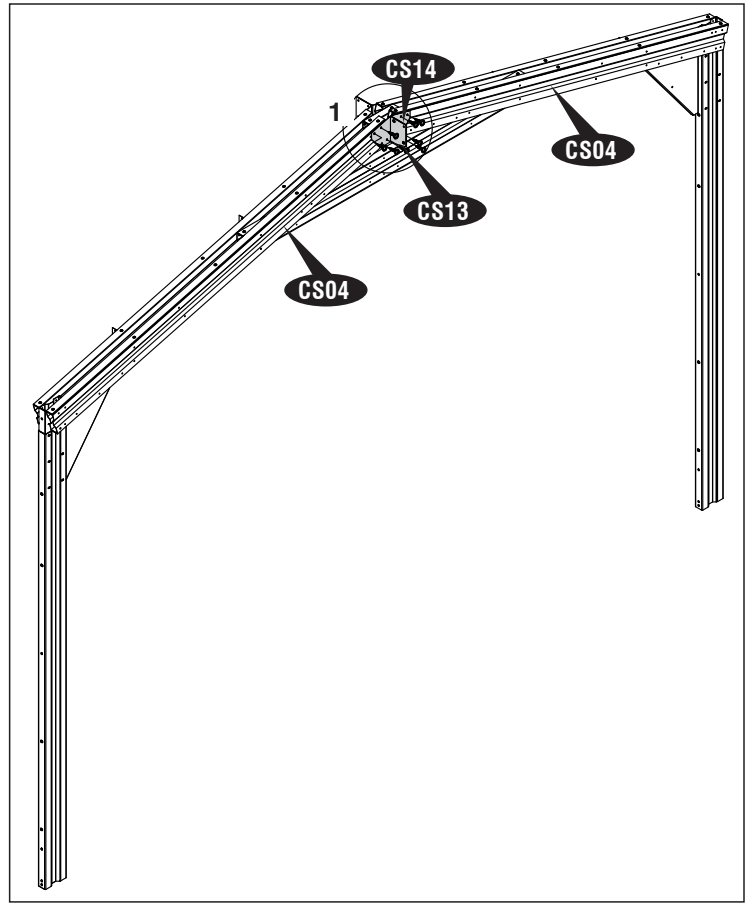


Fig.1



Step - 14

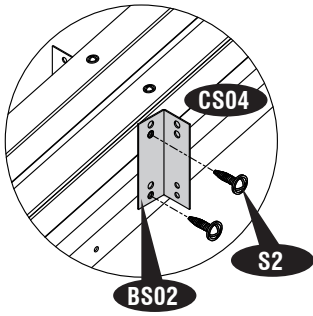


Fig.1

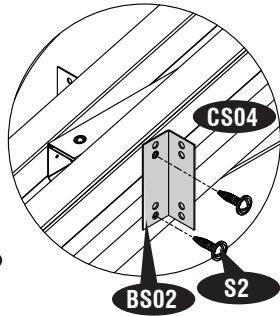


Fig.2

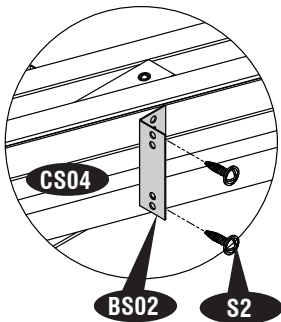


Fig.3

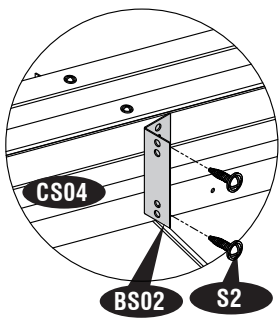
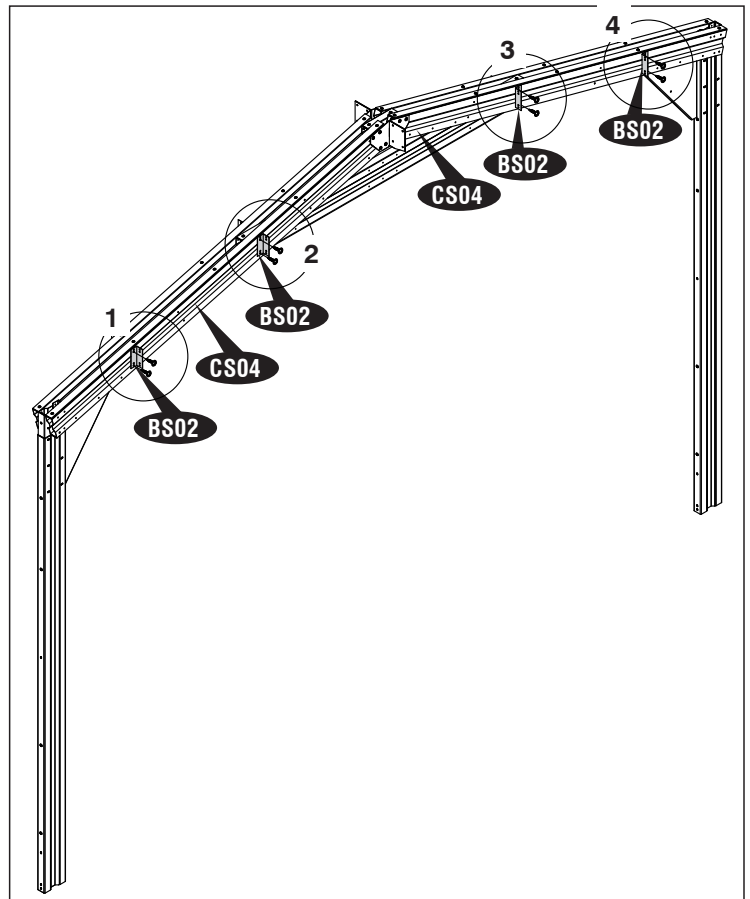


Fig.4



IMPORTANT: USE HAND GLOVES TO PREVENT INJURY.

Step - 15

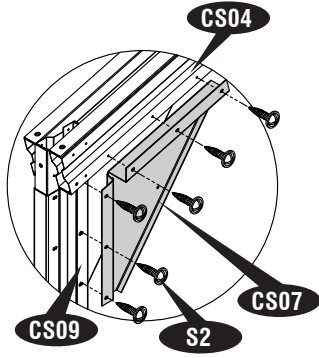


Fig.1

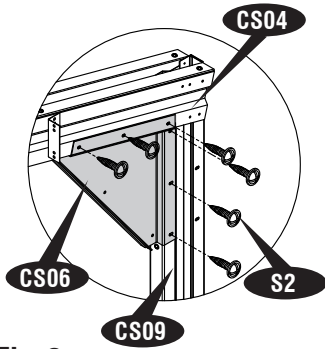
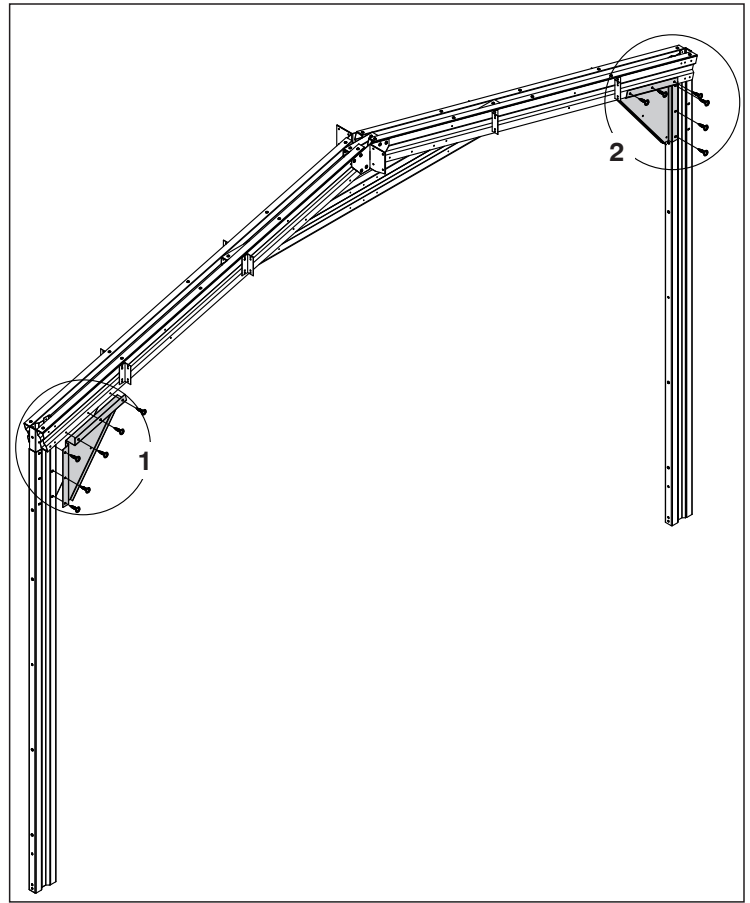


Fig.2



Step - 16

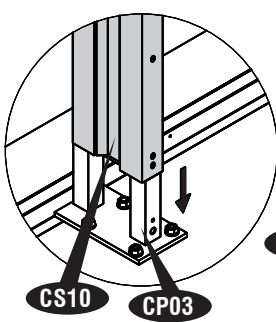


Fig.1

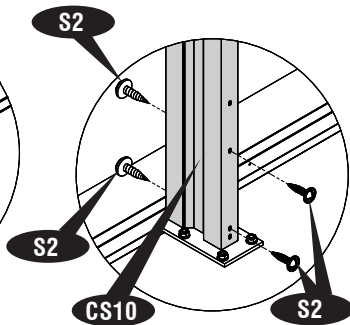


Fig.2

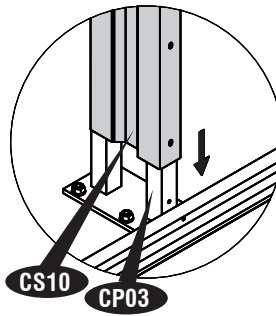


Fig.3

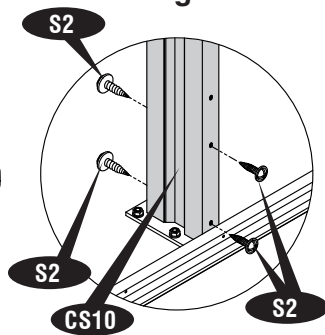
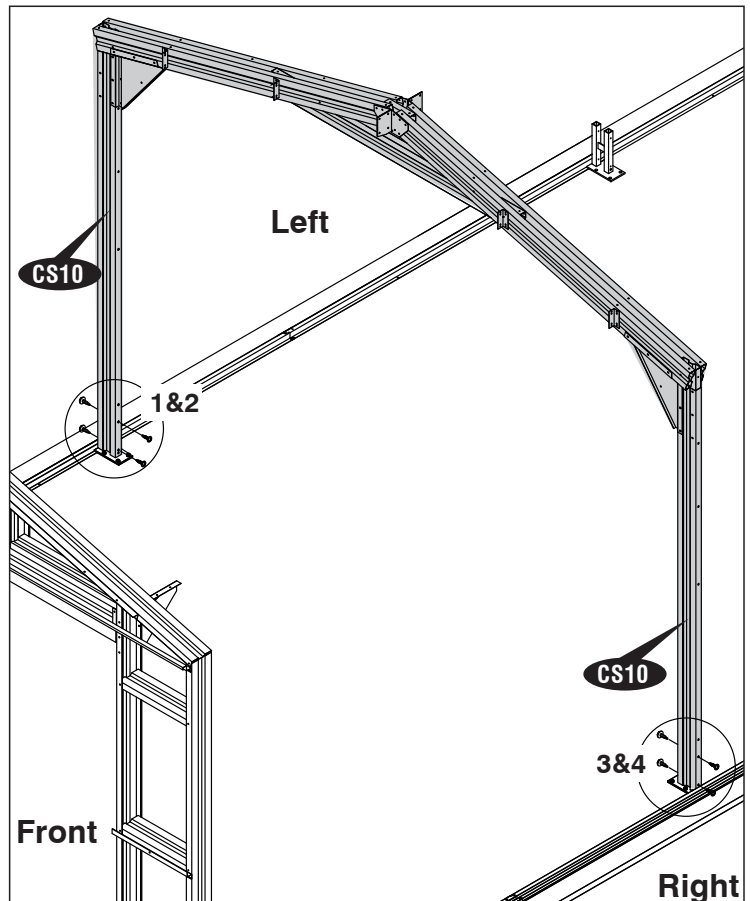


Fig.4



Step - 17

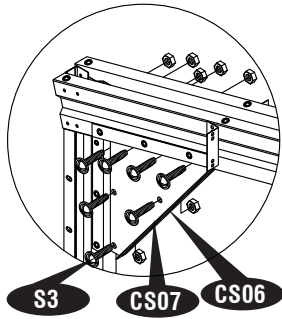


Fig.1

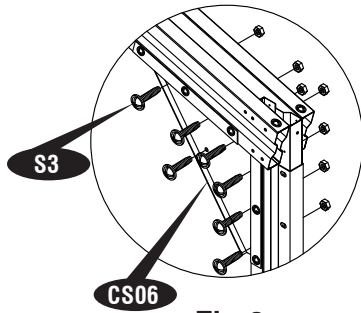
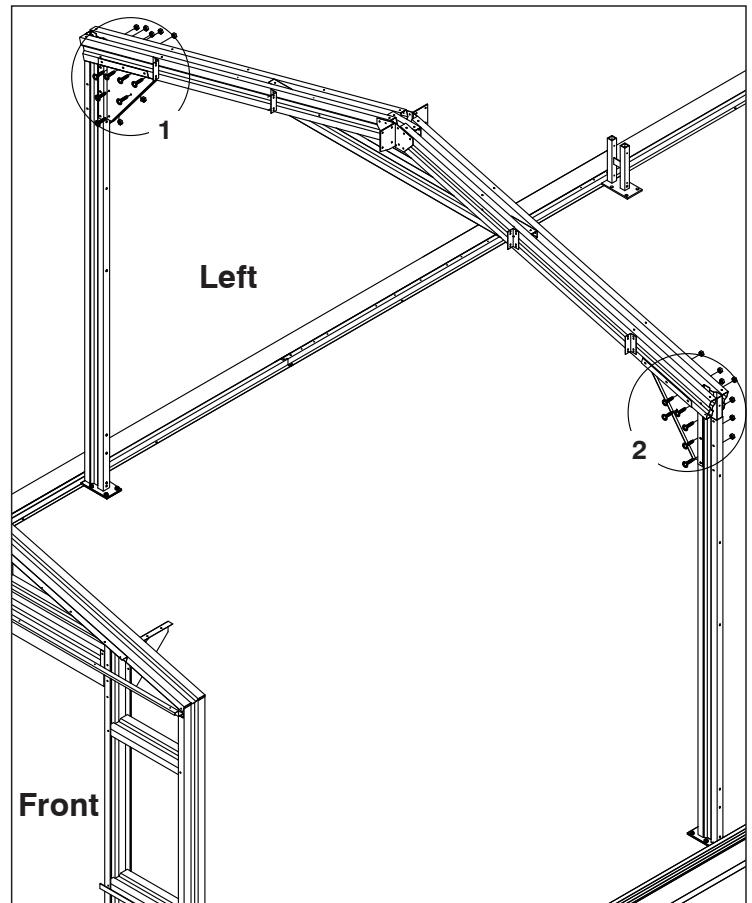


Fig.2



Step - 18

Follow steps 1-15 & prepare another center structure assembly & Assemble with Column support plate (CP03). Use (S2) Screws.

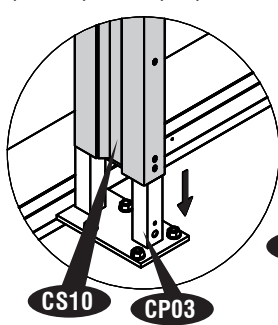


Fig.1

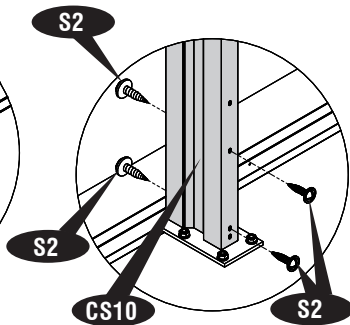


Fig.2

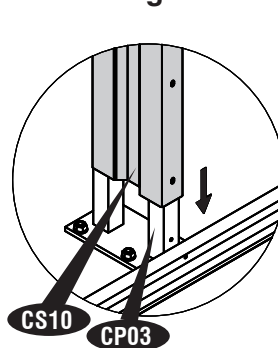


Fig.3

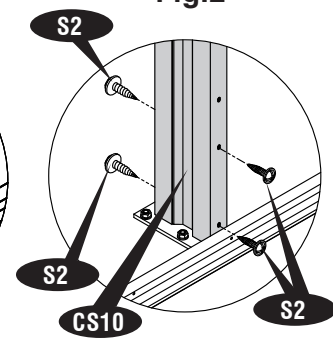
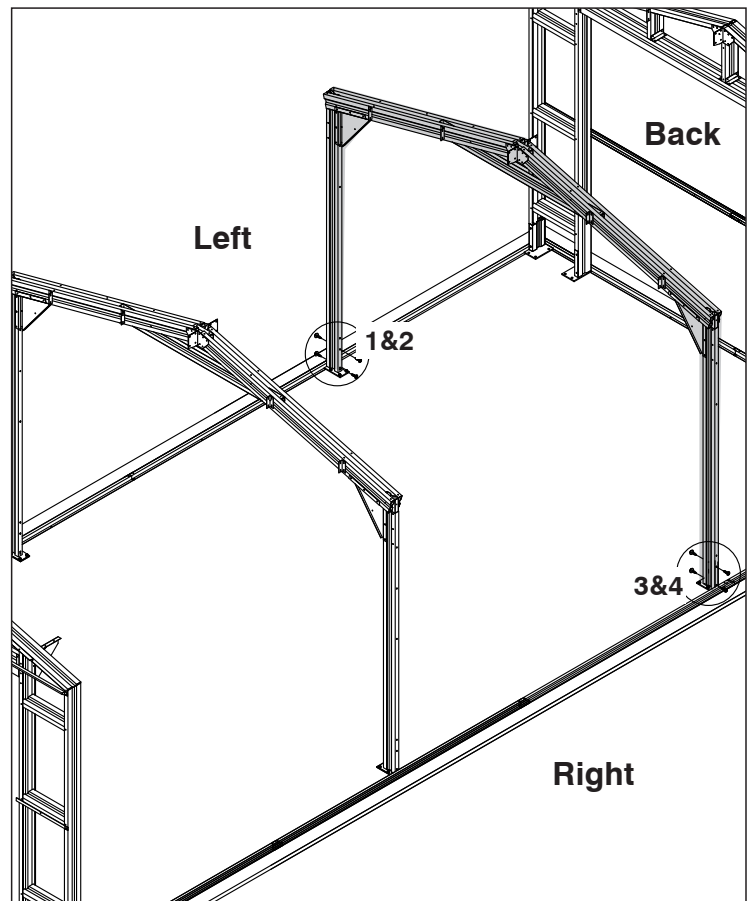


Fig.4



Step - 19

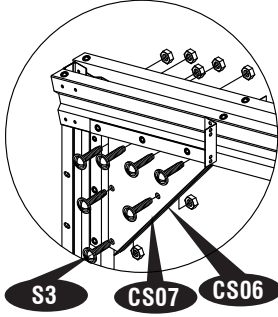


Fig.1

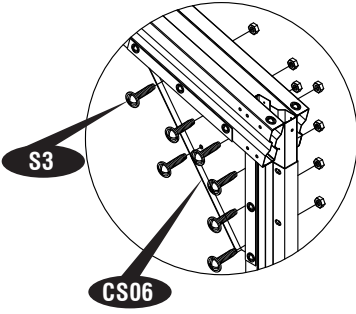
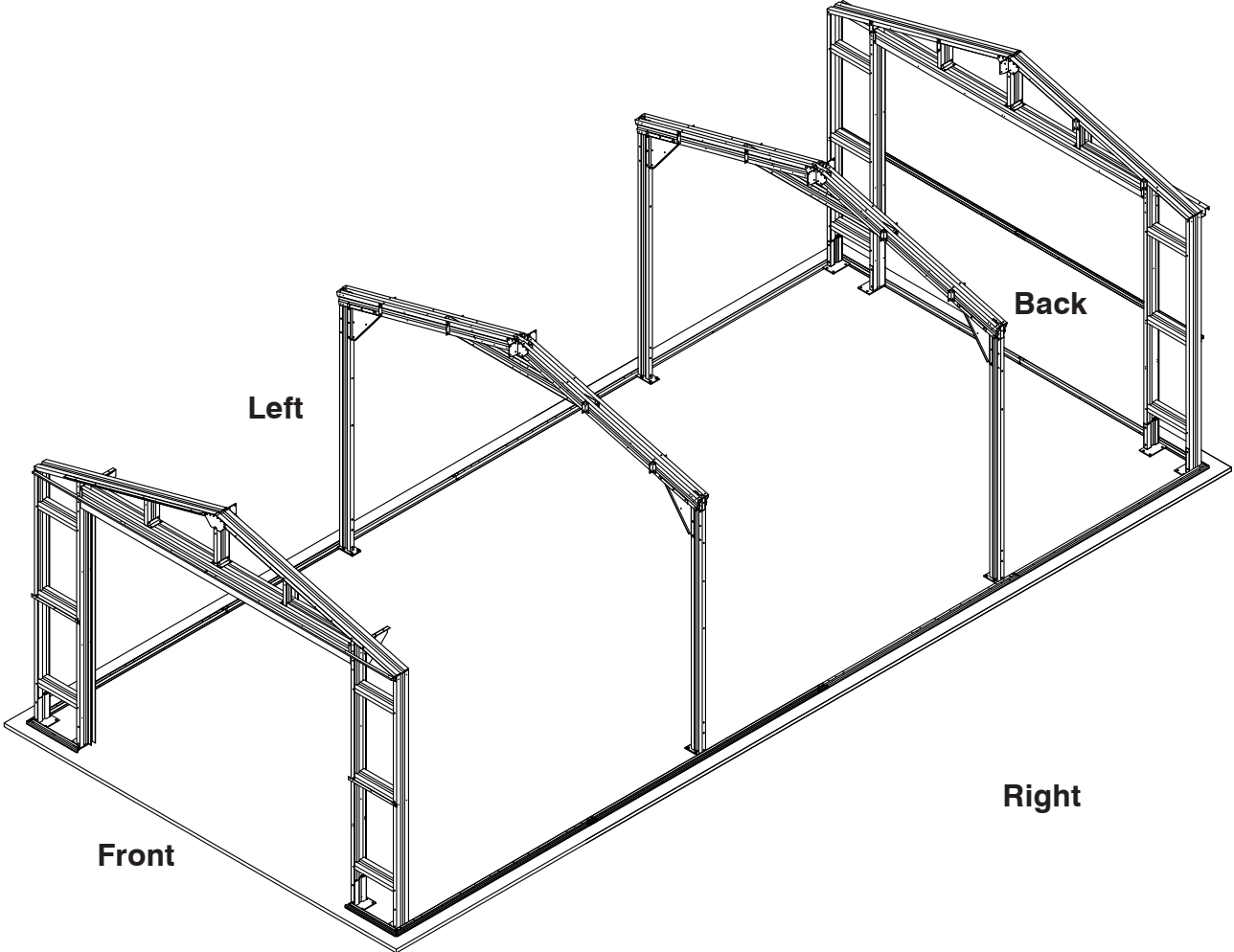
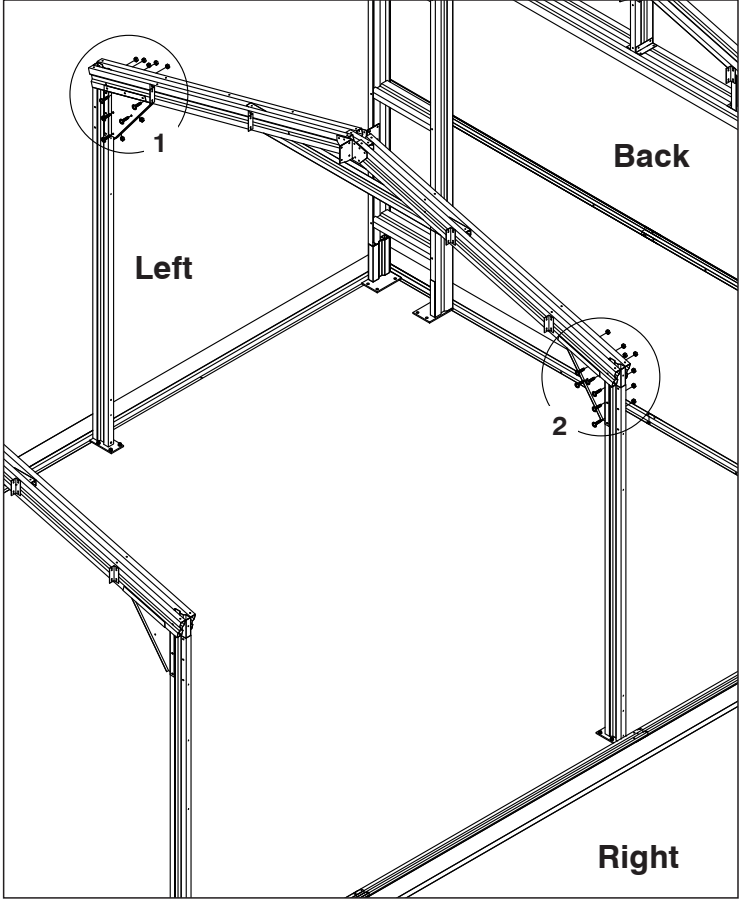


Fig.2



IMPORTANT: USE HAND GLOVES TO PREVENT INJURY.

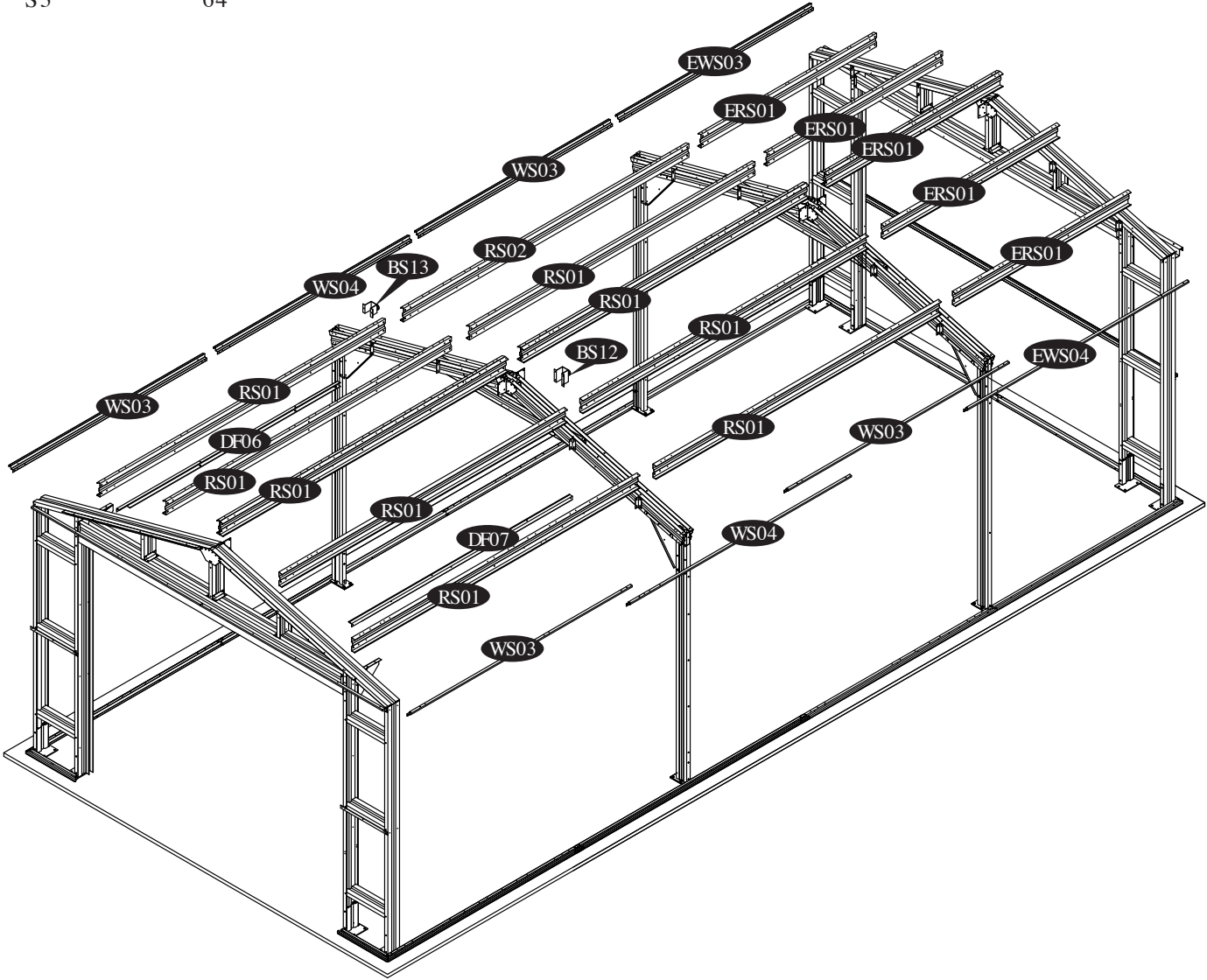
D. Roof Structure Assembly

Parts Needed:

Code	Qty
RS01	11
RS02	1
DF06	1
DF07	1
WS03	4
WS04	2
BS12	1
BS13	1
GW	3
S1	20
S2	18
S3	64

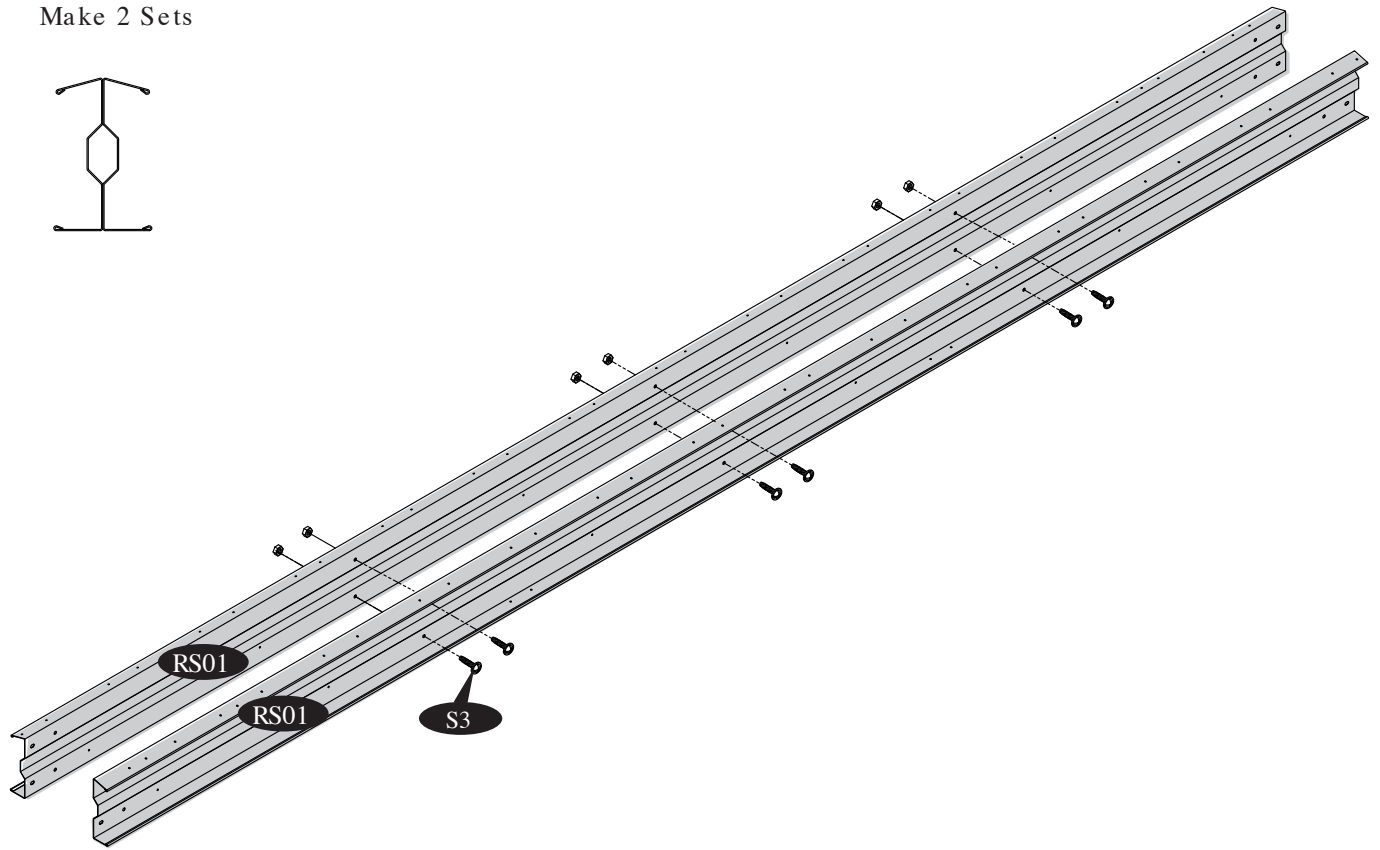
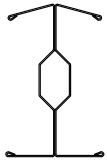
Parts Needed for each extension:

Code	Qty
ERS01	6
EWS03	1
EWS04	1
S1	6
S2	2
S3	28

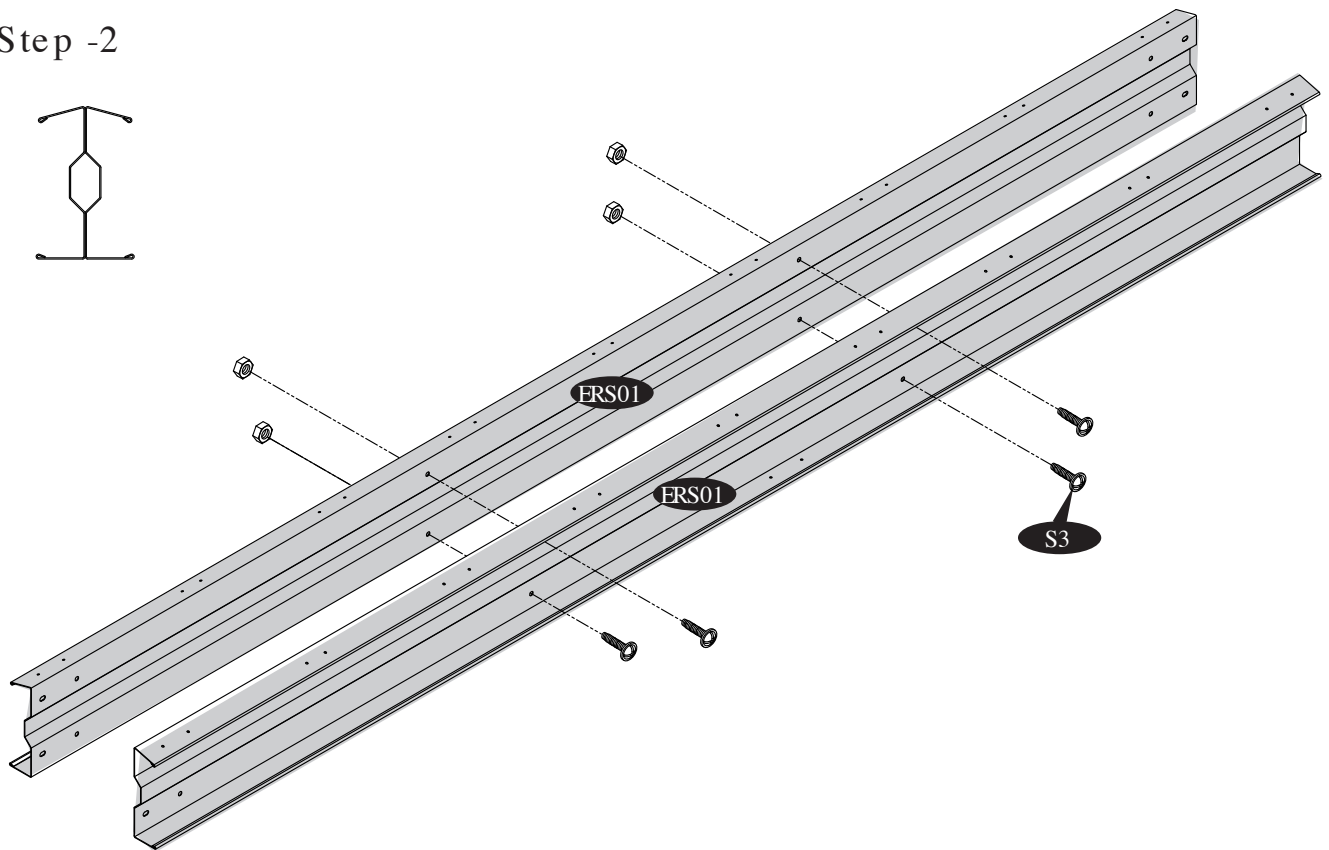
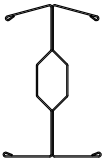


Step -1

Make 2 Sets



Step -2



Step -3

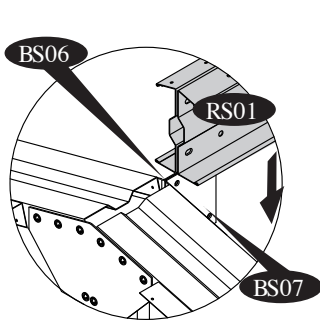
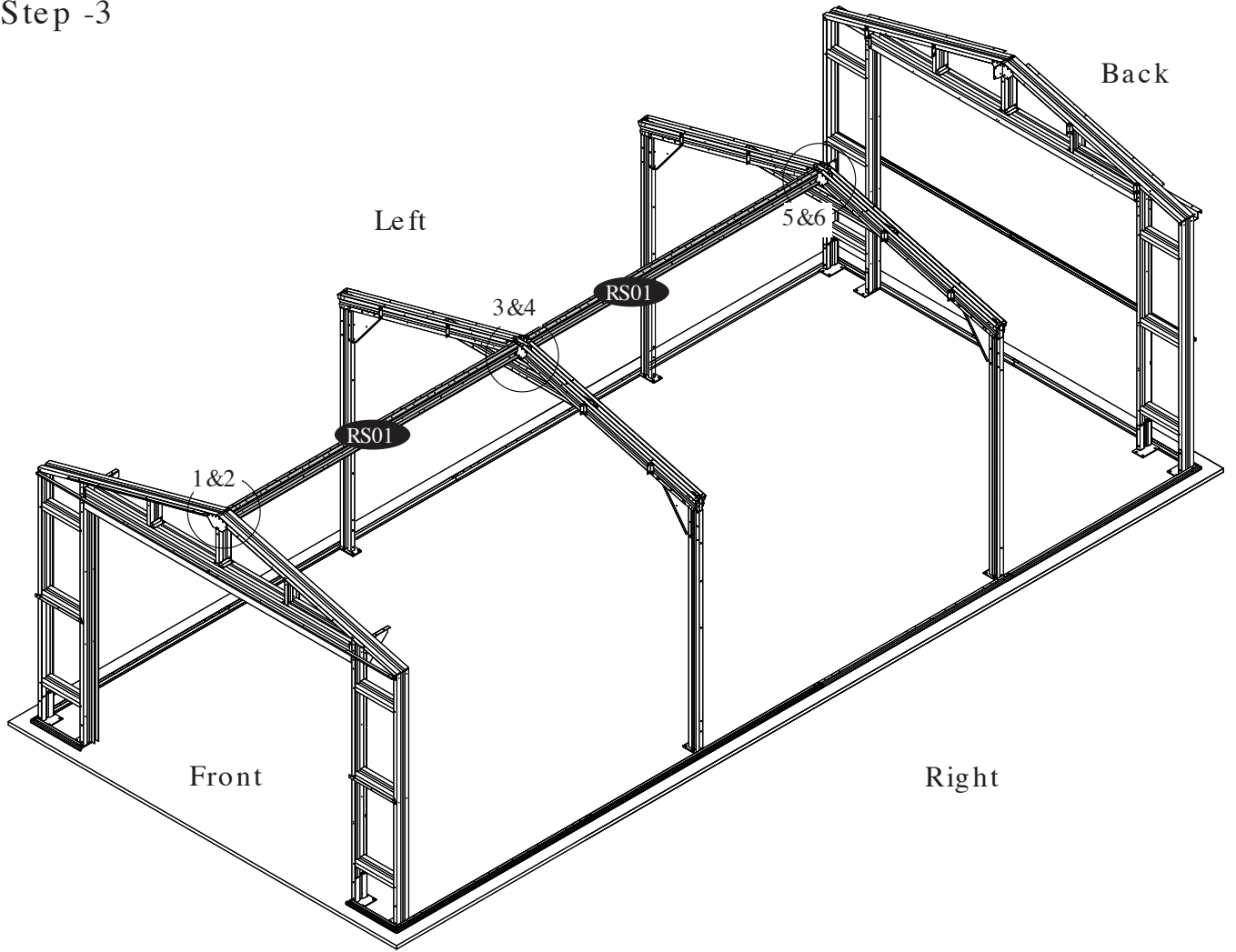


Fig.1

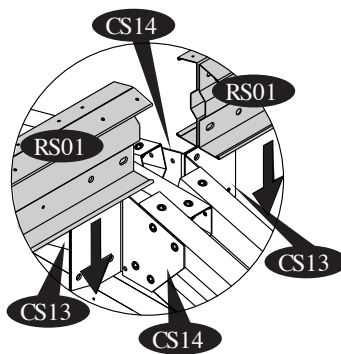


Fig.3

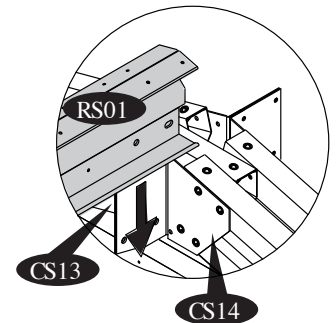


Fig.5

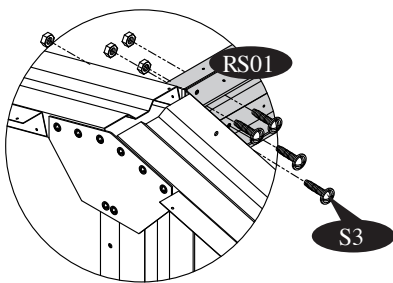


Fig.2

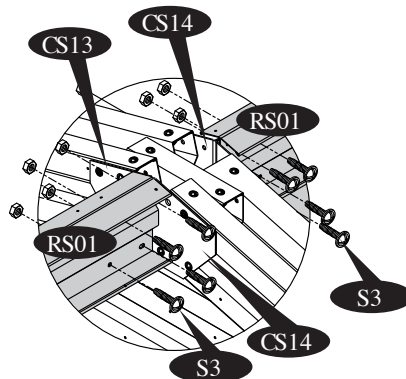


Fig.4

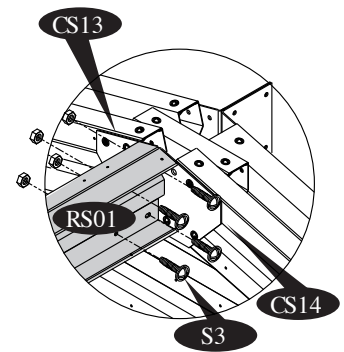


Fig.6

IMPORTANT: USE HAND GLOVES TO PREVENT INJURY.

Step -4

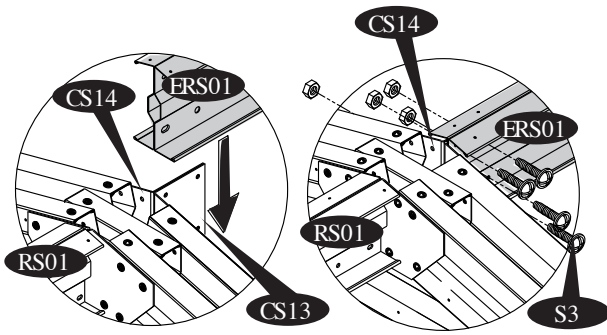


Fig.1

Fig.2

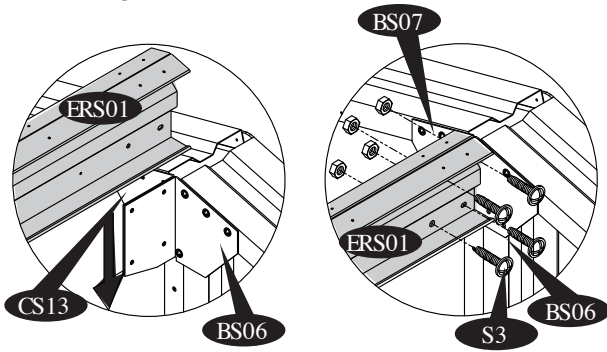
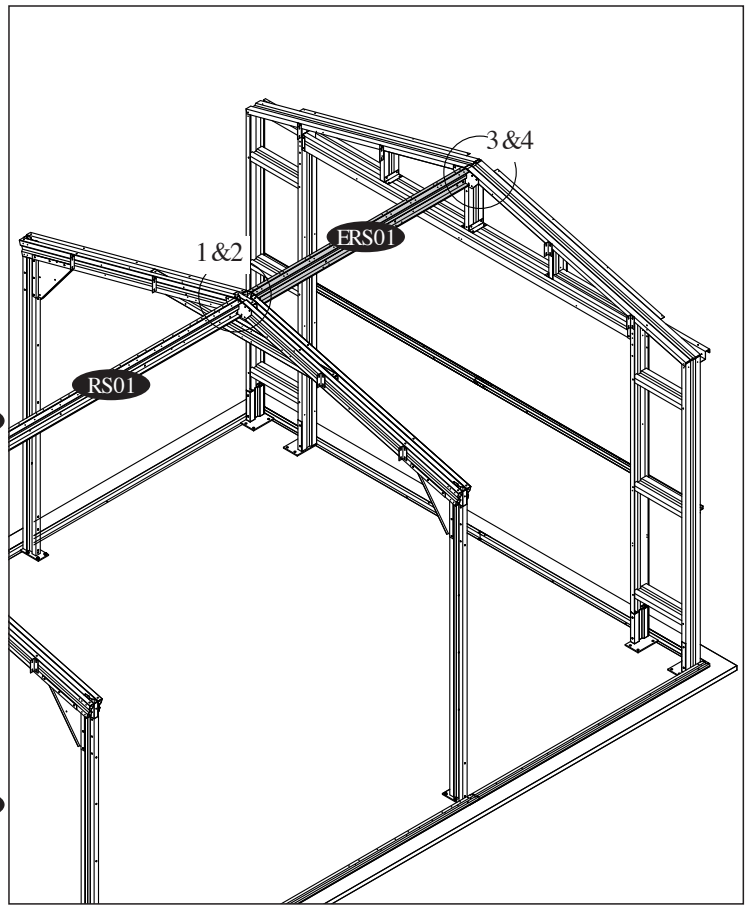


Fig.3

Fig.4



Step -5

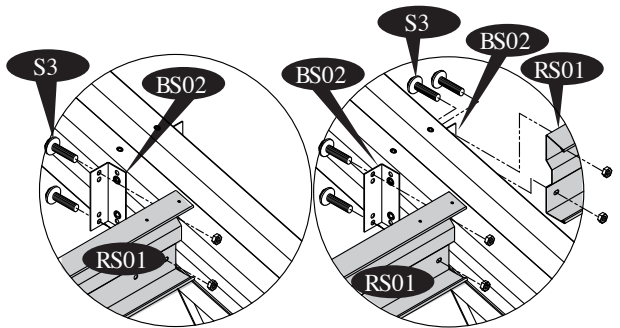


Fig.1

Fig.2

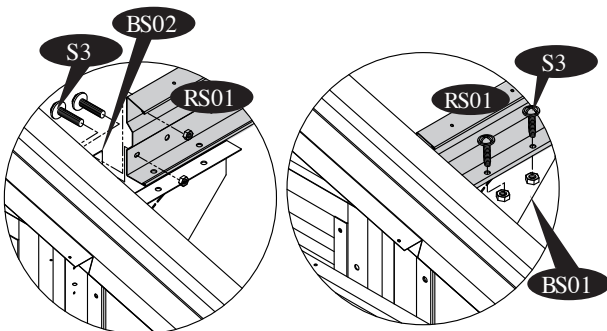
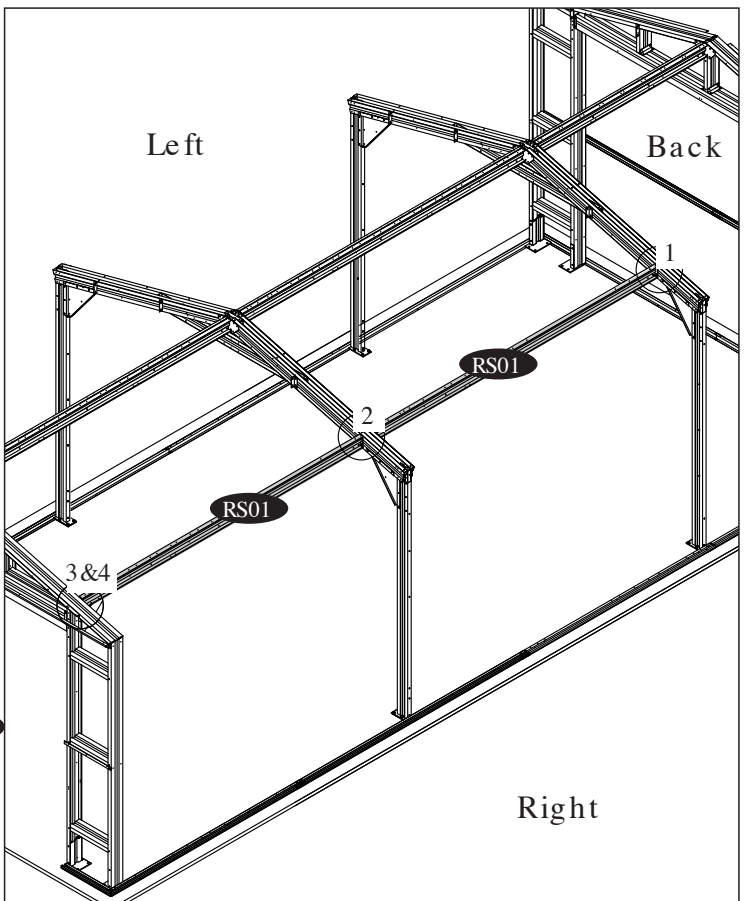


Fig.3

Fig.4



Step - 6

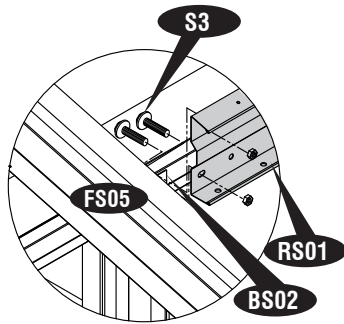


Fig.1

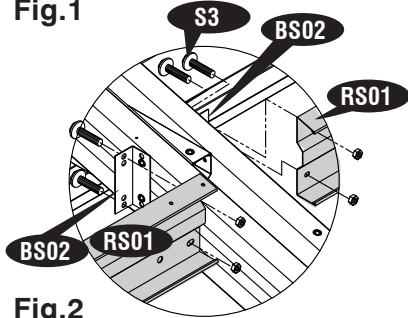


Fig.2

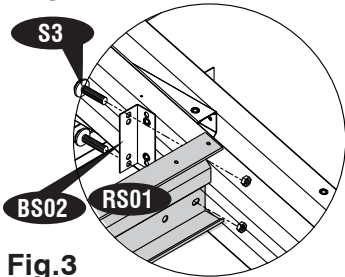


Fig.3

Step - 7

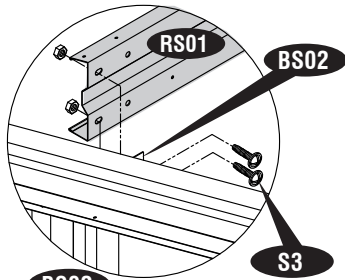


Fig.1

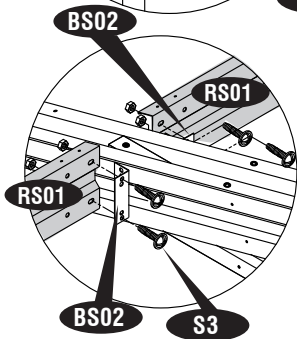


Fig.2

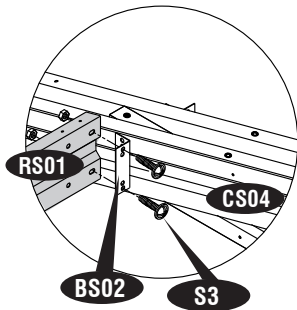
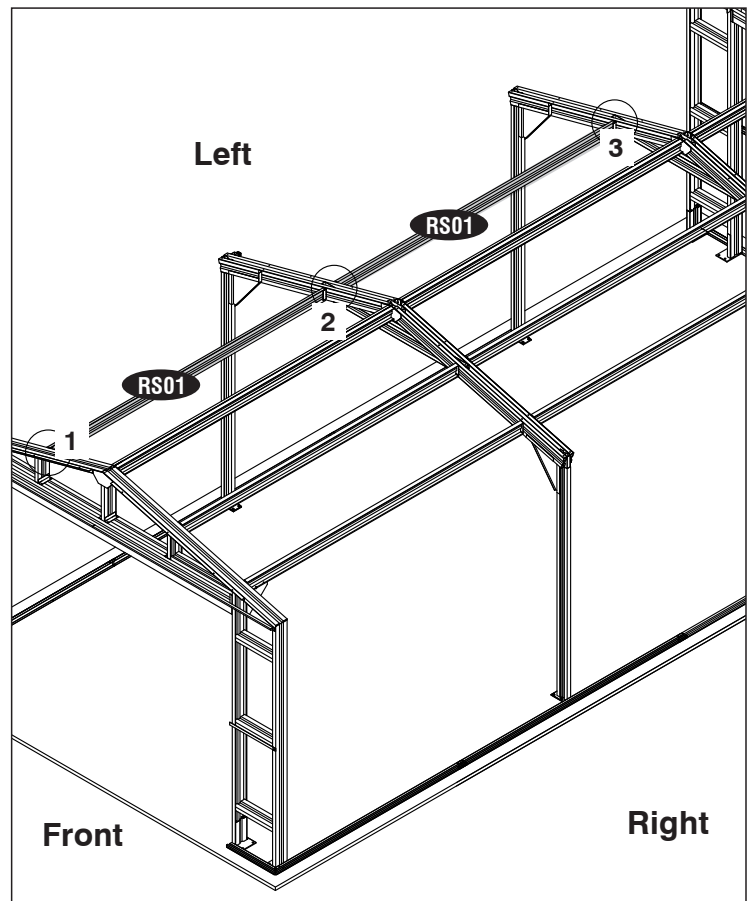
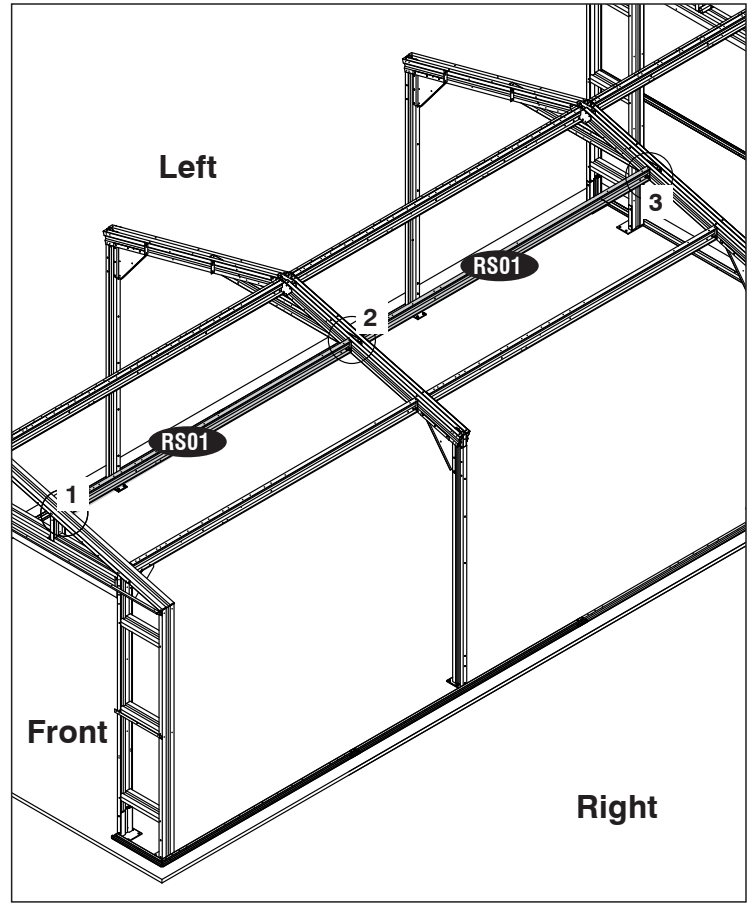
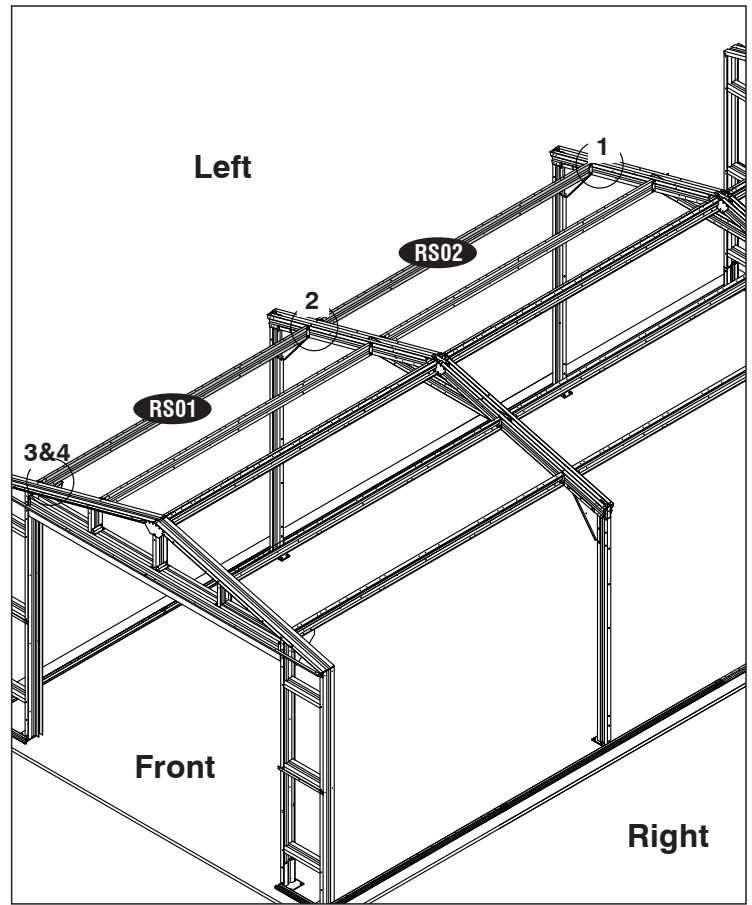
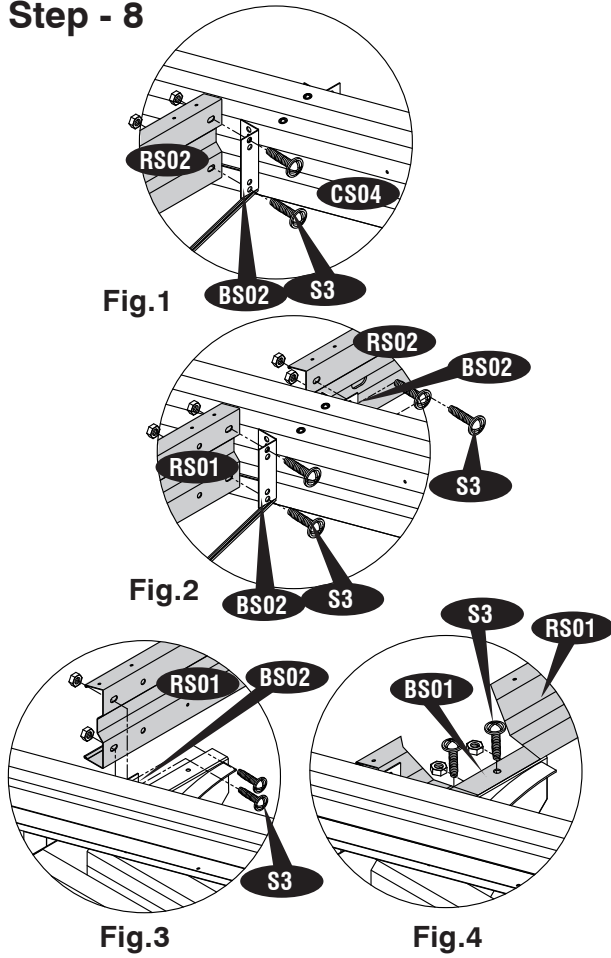


Fig.3

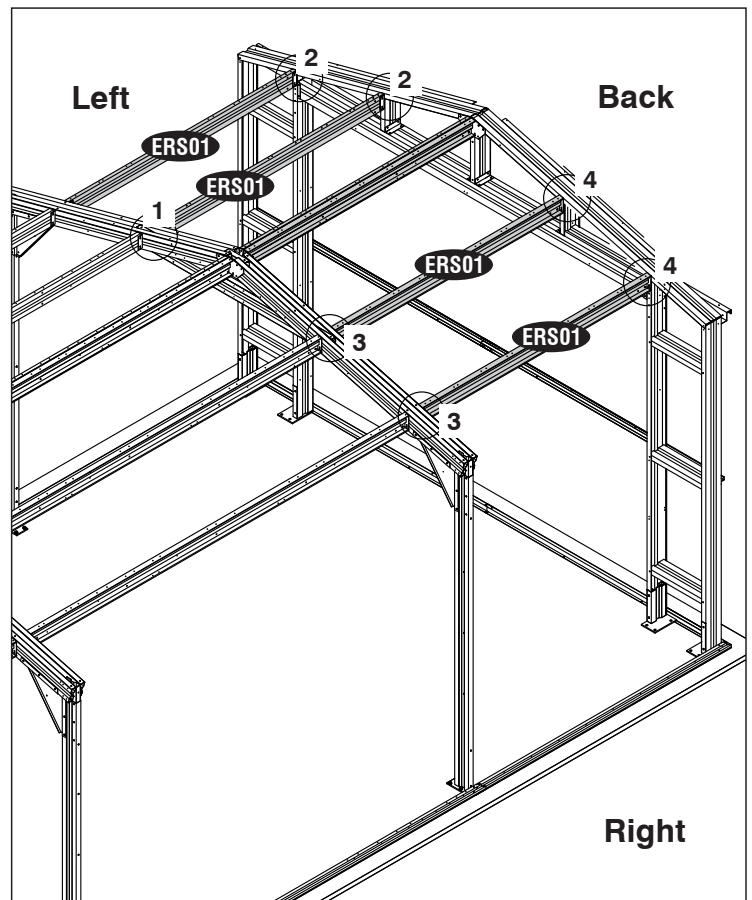
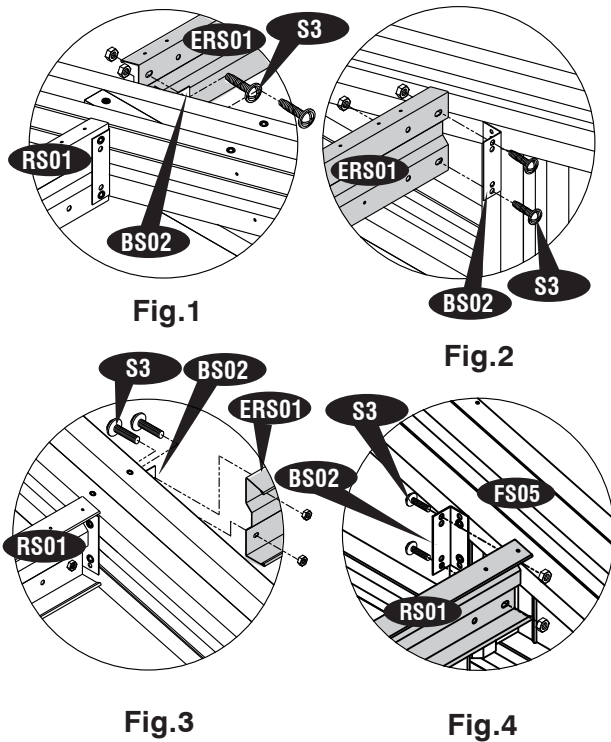


IMPORTANT: USE HAND GLOVES TO PREVENT INJURY.

Step - 8



Step -9



Step - 10

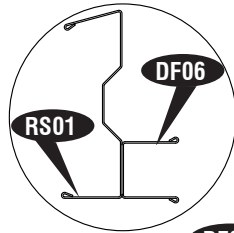


Fig.1

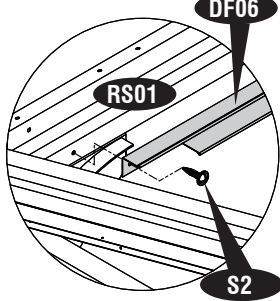


Fig.2

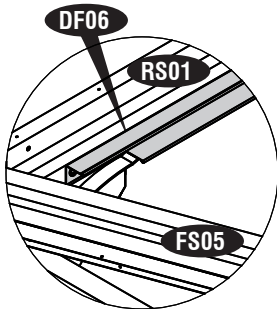
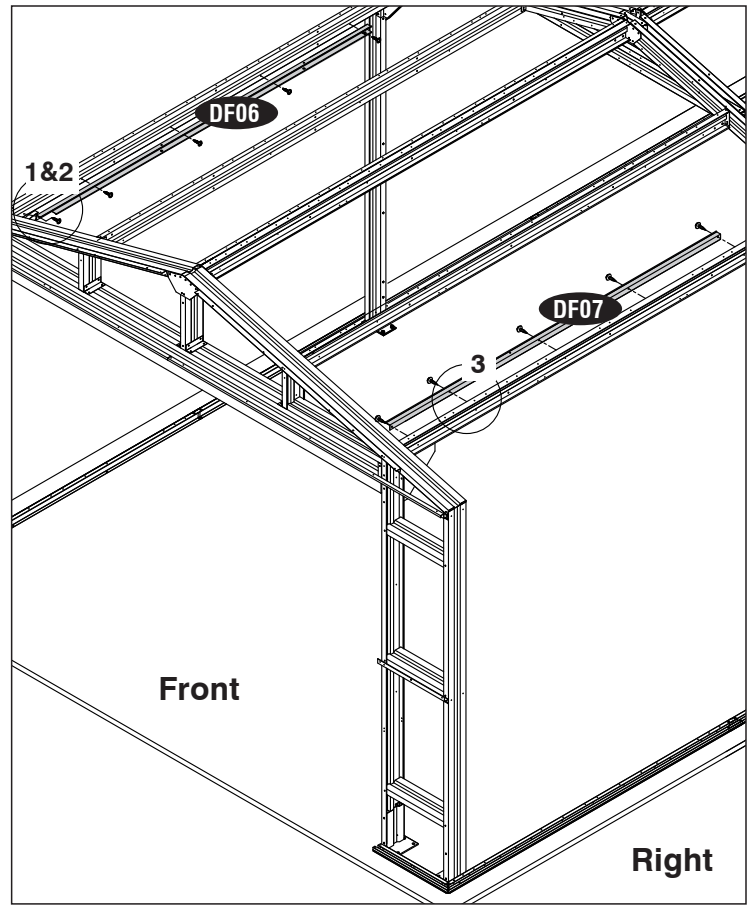
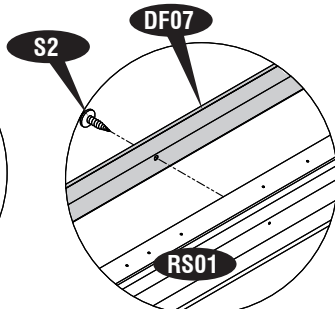


Fig.3



Step - 11

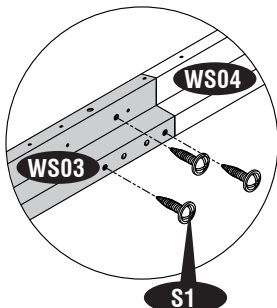


Fig.1

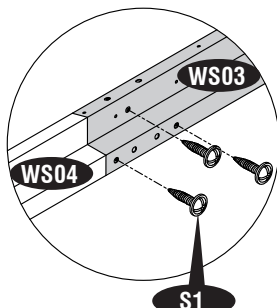


Fig.2

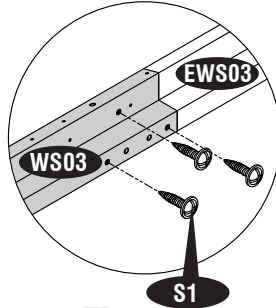
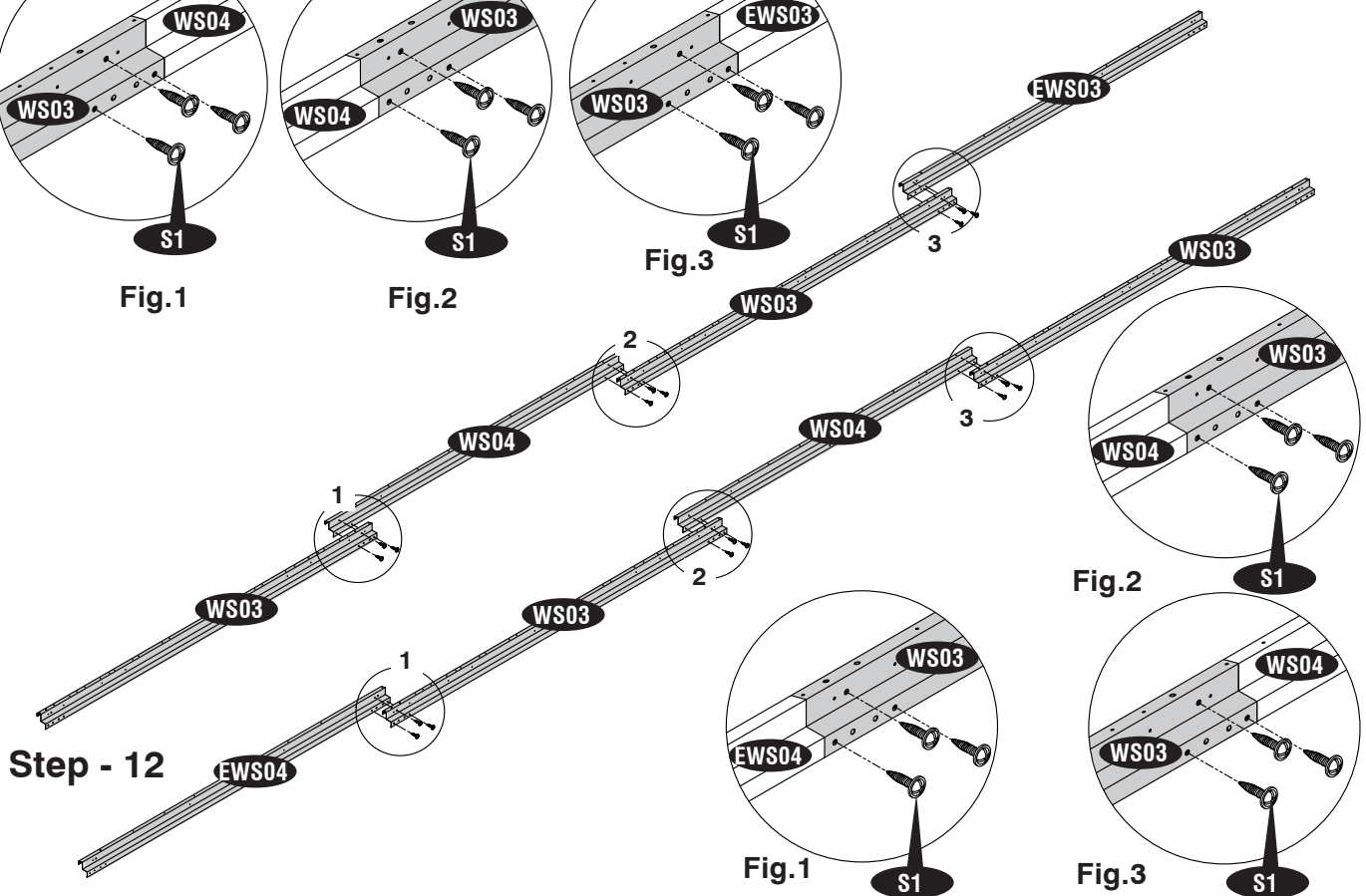


Fig.3



Step - 12

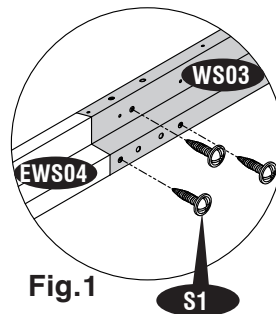


Fig.1

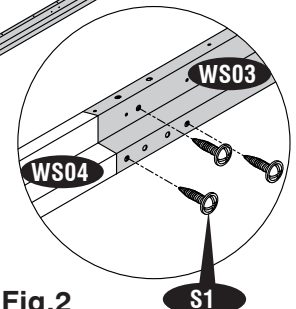


Fig.2

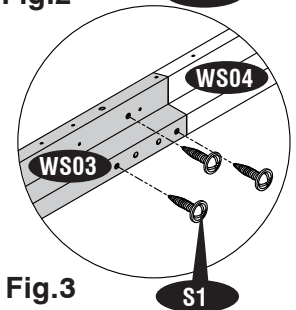


Fig.3

IMPORTANT: USE HAND GLOVES TO PREVENT INJURY.

Step - 13

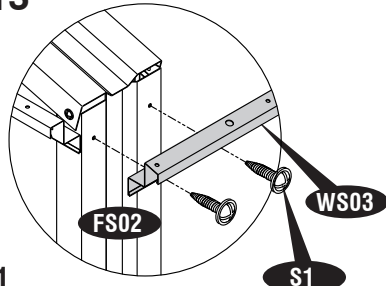


Fig.1

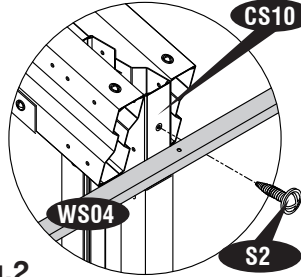


Fig.2

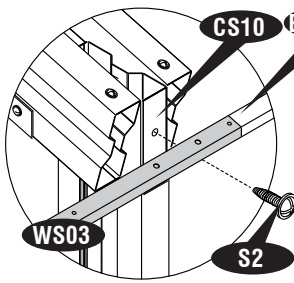


Fig.3

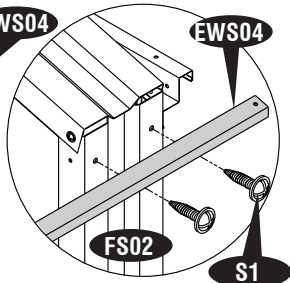
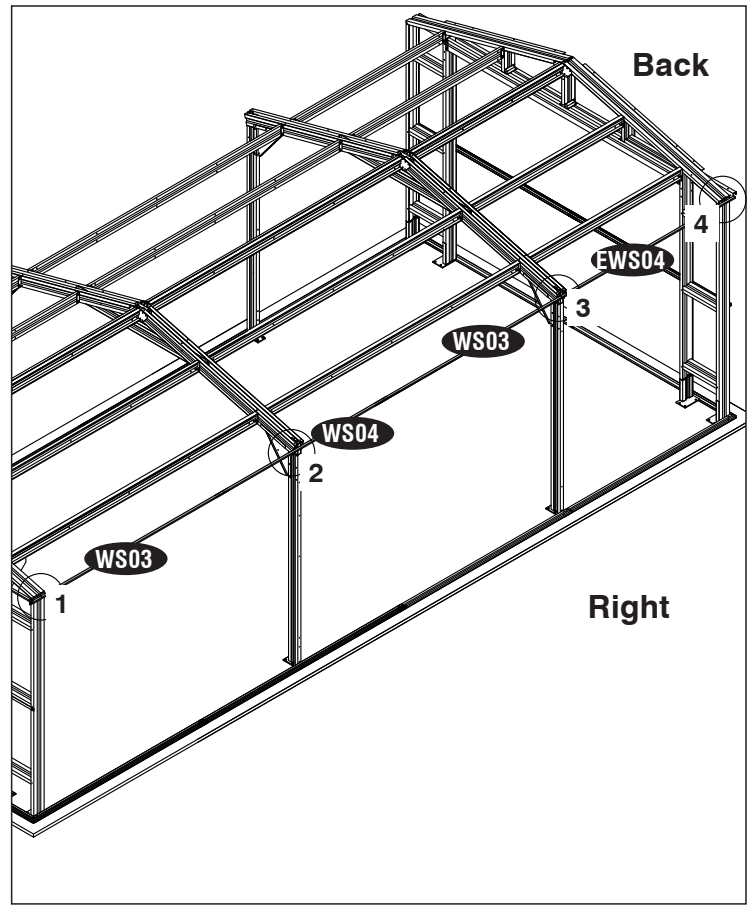


Fig.4



Step - 14

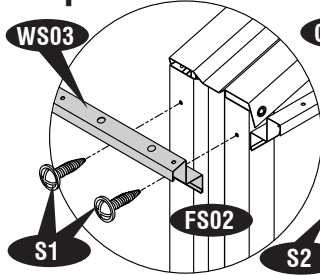


Fig.1

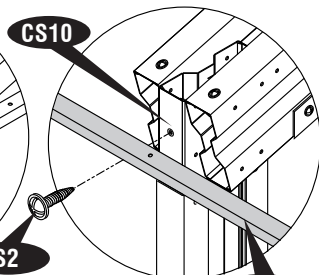


Fig.2

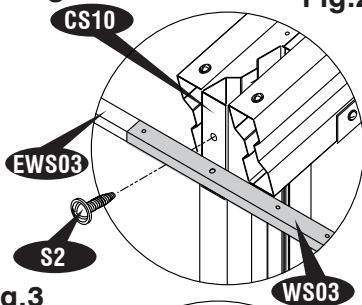


Fig.3

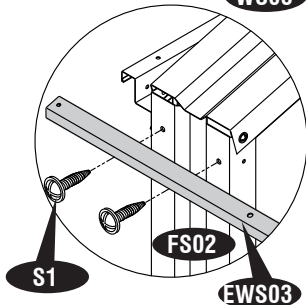
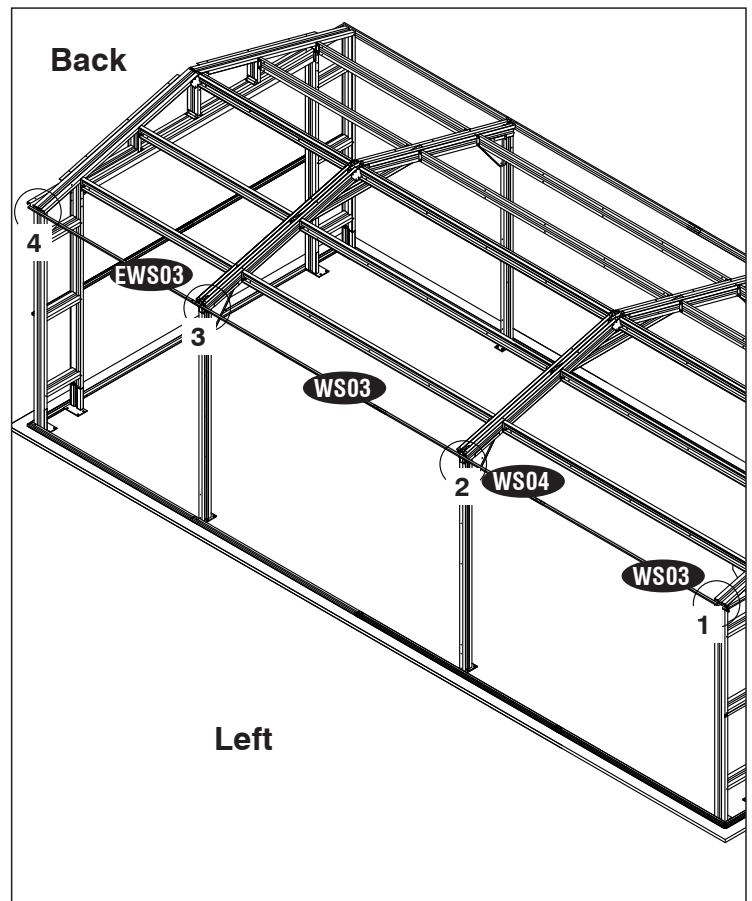


Fig.4



IMPORTANT: USE HAND GLOVES TO PREVENT INJURY.

Step - 15

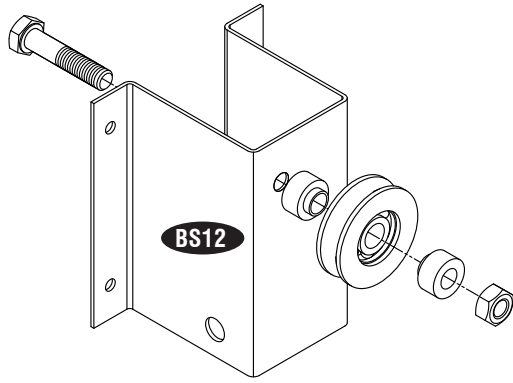


Fig.1

Step - 16

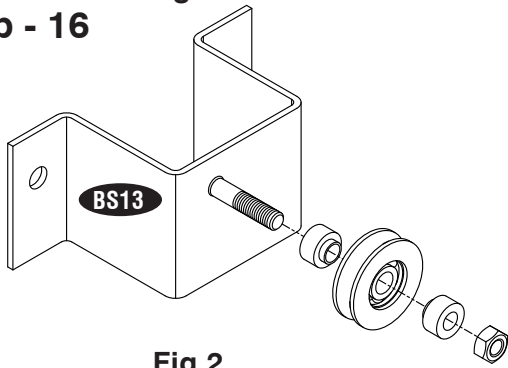
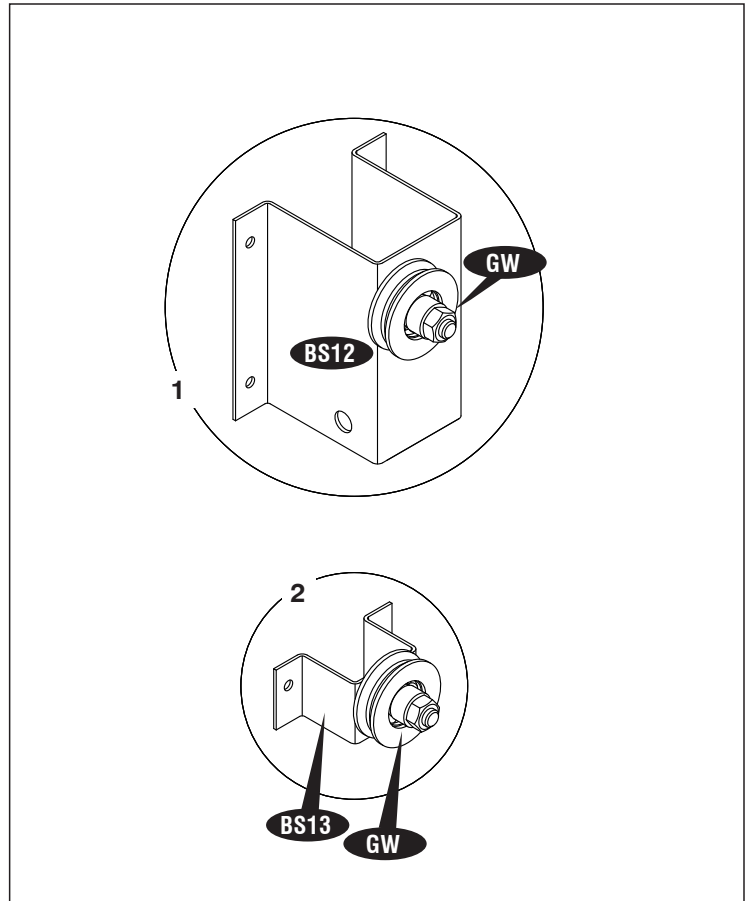


Fig.2



Step - 17

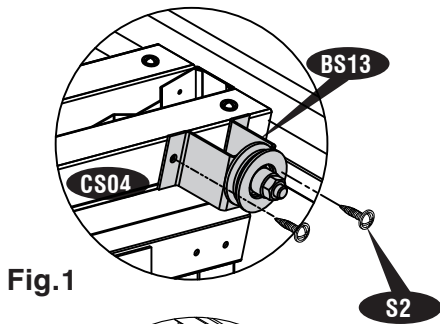


Fig.1

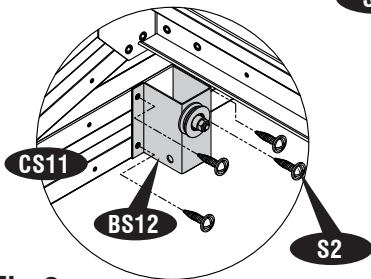


Fig.2

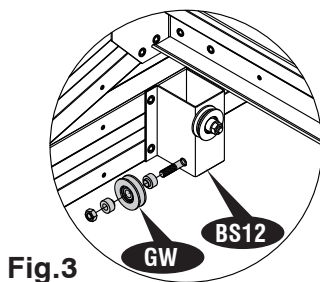
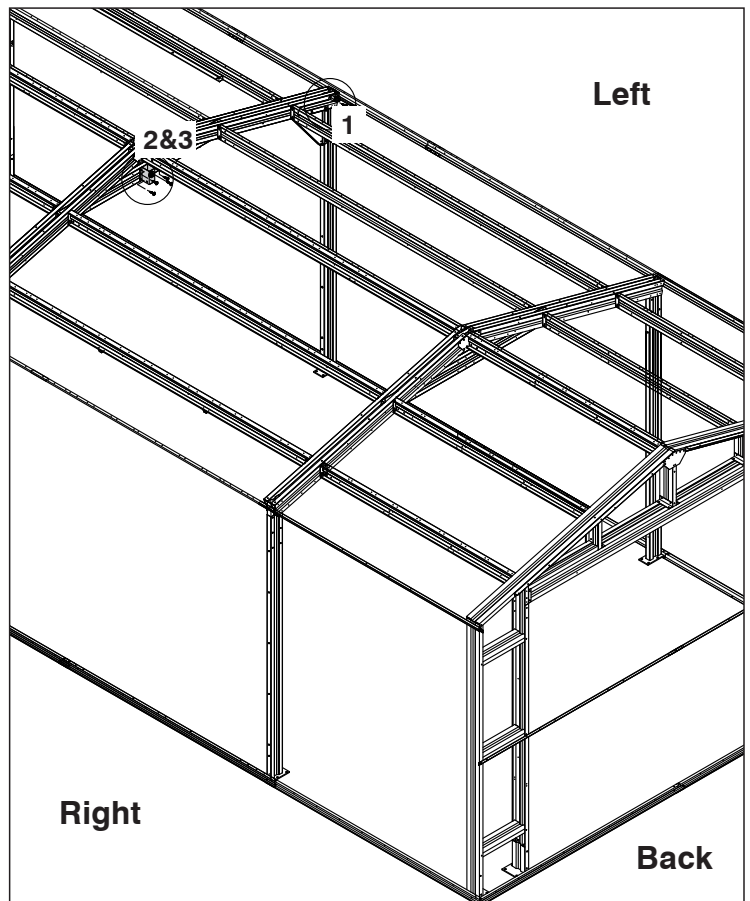


Fig.3



E. Wall Panel Installation and Accessories

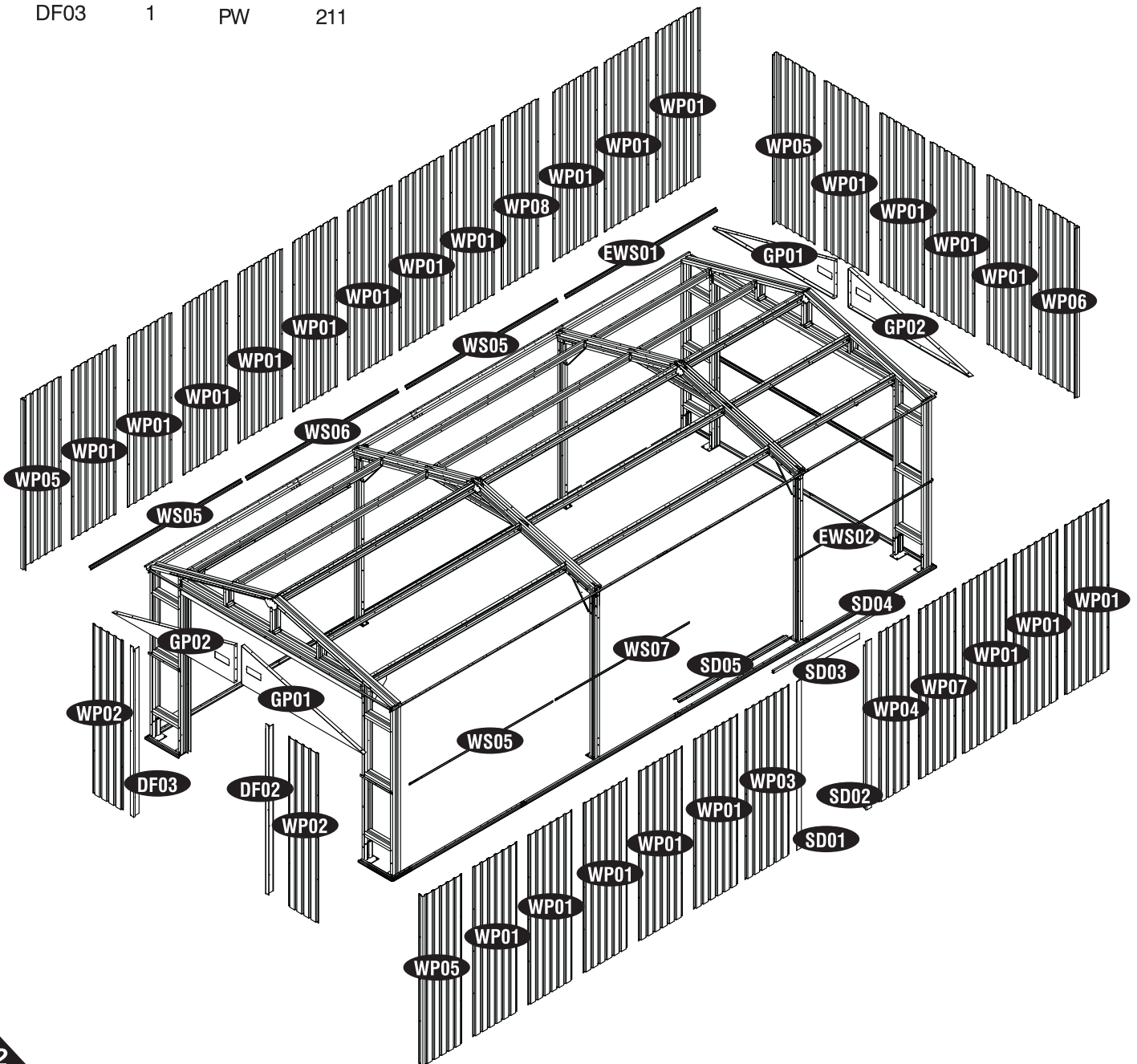
Parts Needed:

Code	Qty	Code	Qty
WP01	17	SD01	1
WP02	2	SD02	1
WP03	1	SD03	1
WP04	1	SD04	1
WP05	3	SD05	1
WP06	1	WS05	3
WP07	1	WS06	1
WP08	1	WS07	1
GP01	2	S1	208
GP02	2	S2	4
DF02	1	S3	60
DF03	1	PW	211

Parts Needed for each extension:

Code	Qty
WP01	6
EWS01	1
EWS02	1
S1	31
S2	2
S3	12
PW	42

Exploded View Side Door Right Side

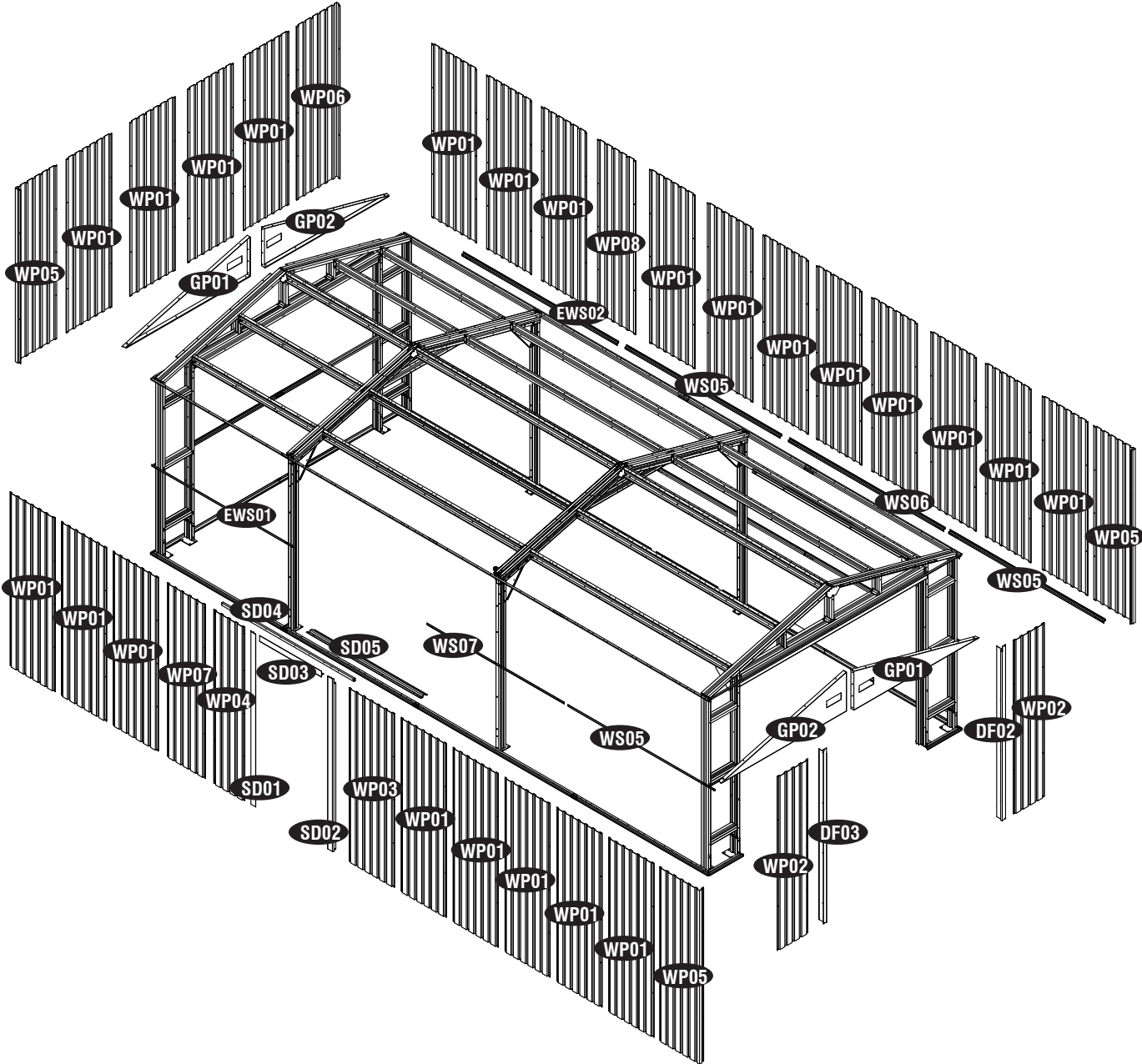


IMPORTANT: USE HAND GLOVES TO PREVENT INJURY.

Exploded View Side Door Left Side

IMPORTANT

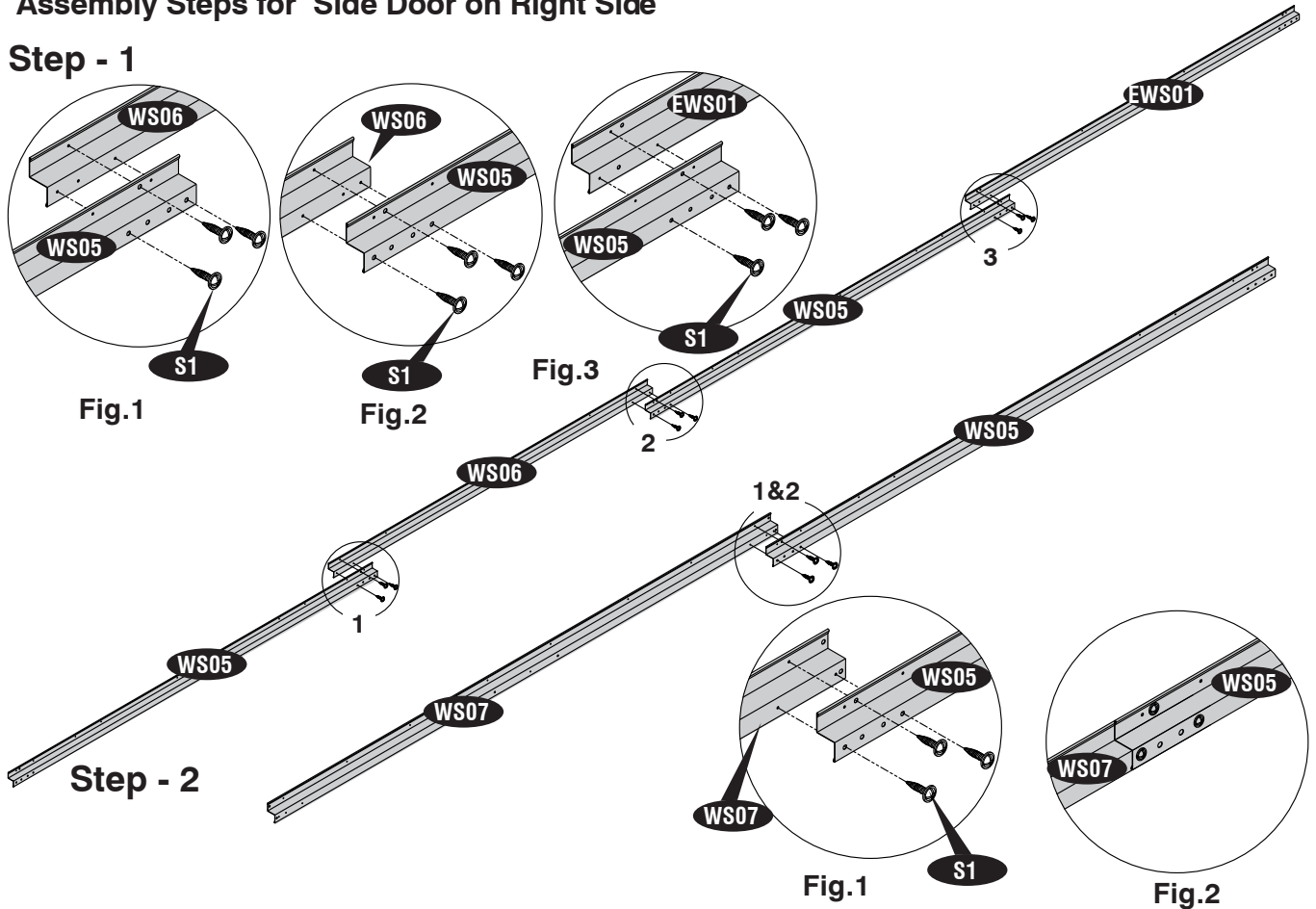
Follow the Diagram to assemble the side on Left Side.



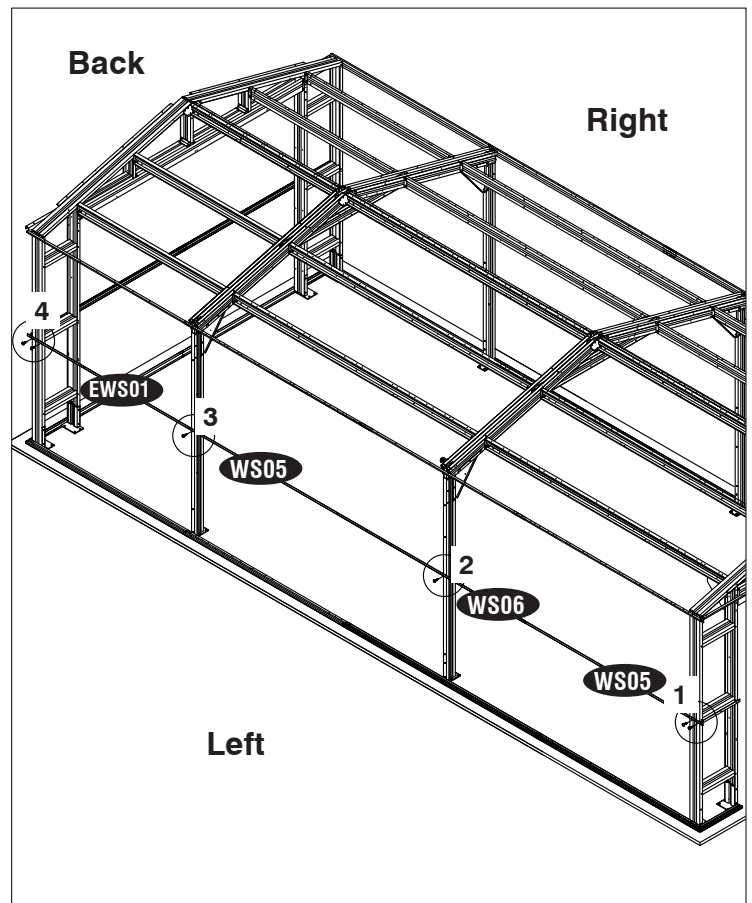
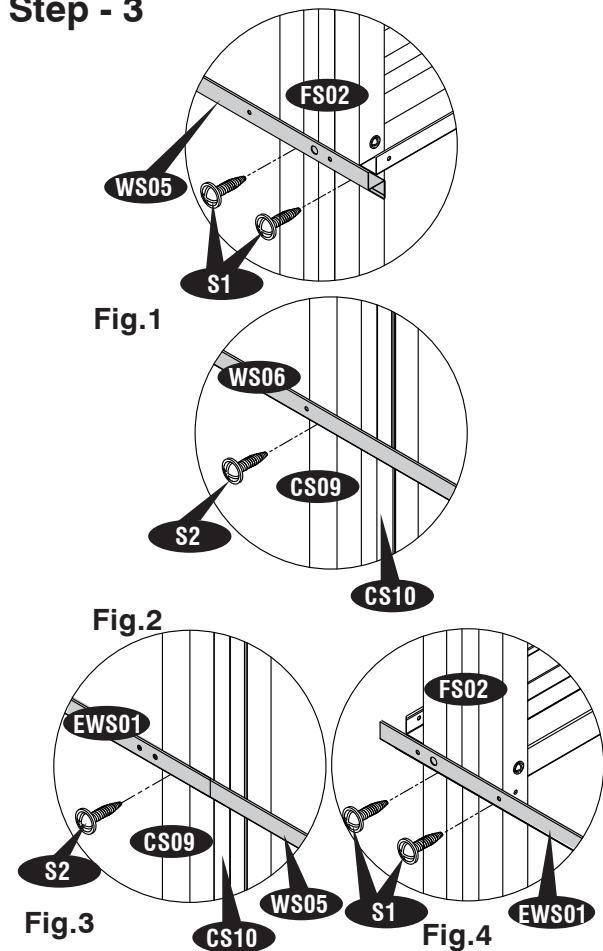
IMPORTANT: USE HAND GLOVES TO PREVENT INJURY.

Assembly Steps for Side Door on Right Side

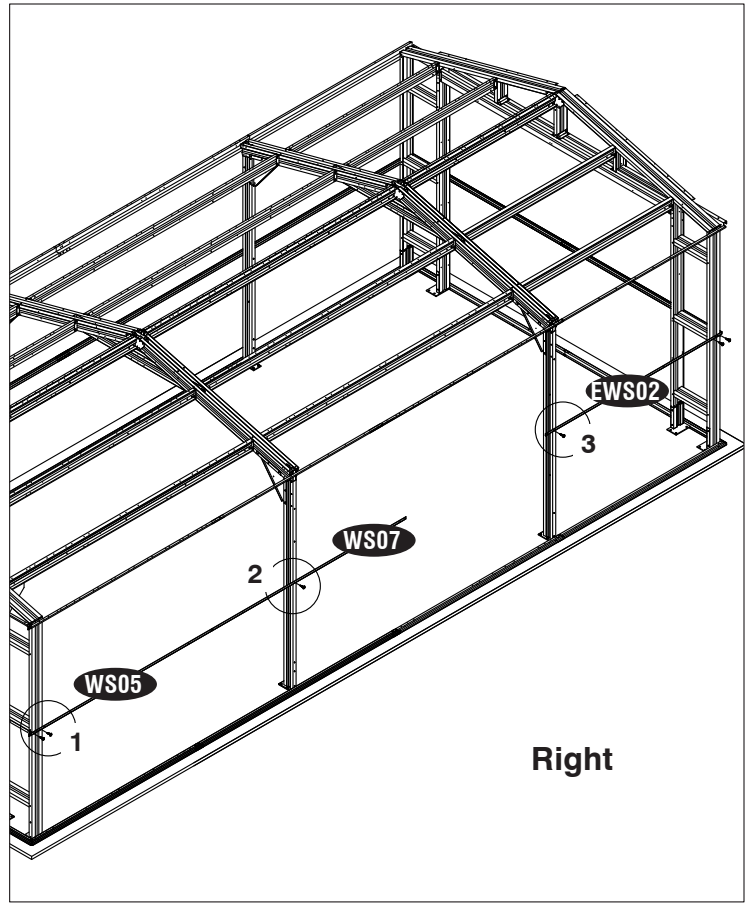
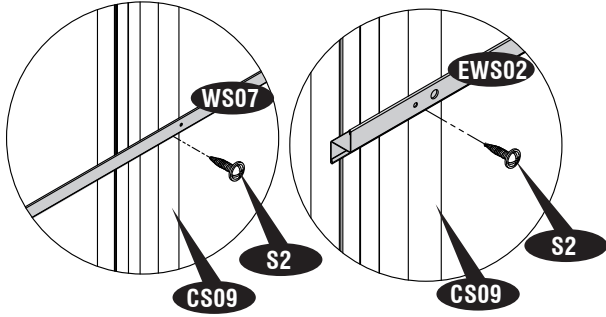
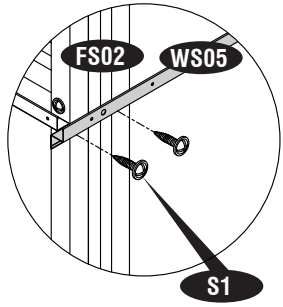
Step - 1



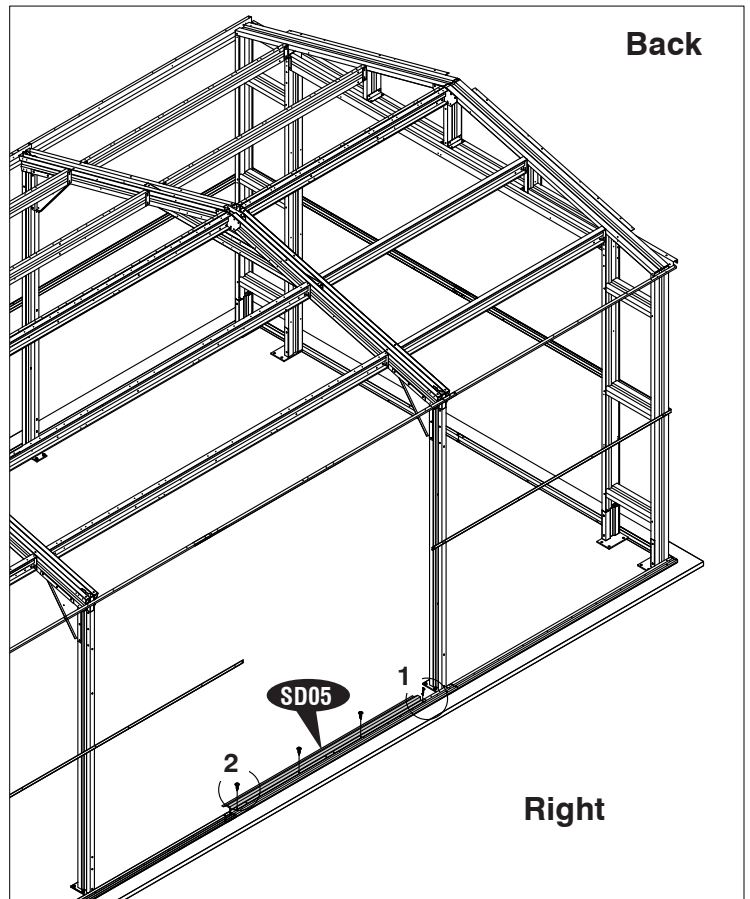
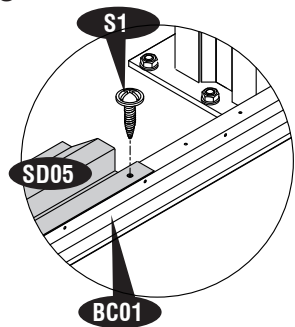
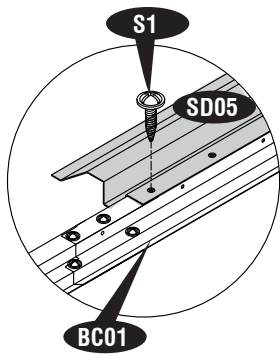
Step - 3



Step - 4



Step - 5



IMPORTANT: USE HAND GLOVES TO PREVENT INJURY.

Step - 6

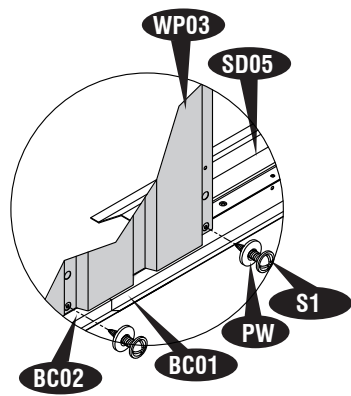


Fig.1

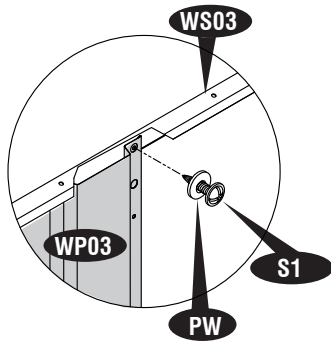
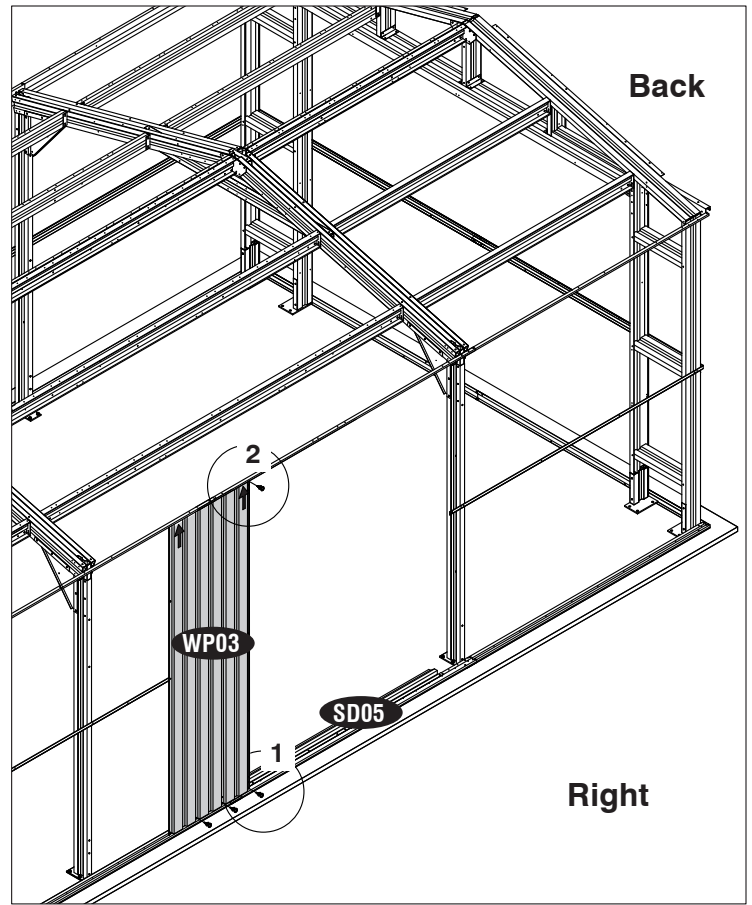


Fig.2



Step - 7

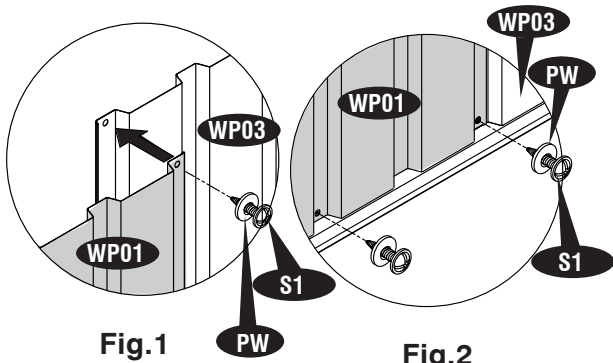


Fig.1

Fig.2

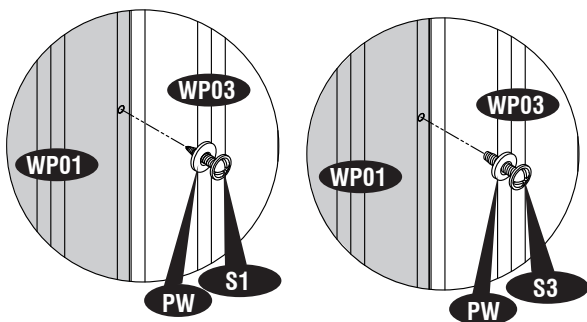
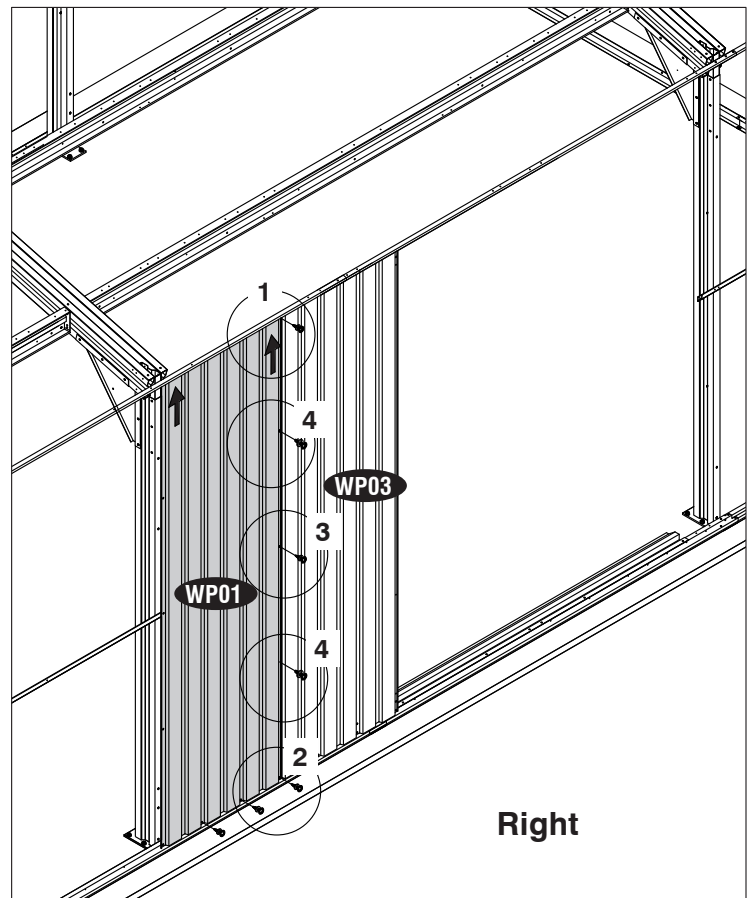


Fig.3

Fig.4



Step - 8

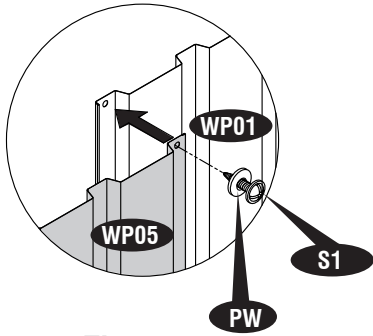


Fig.1

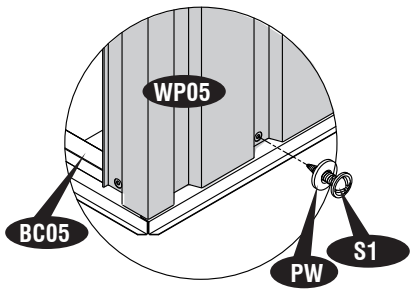
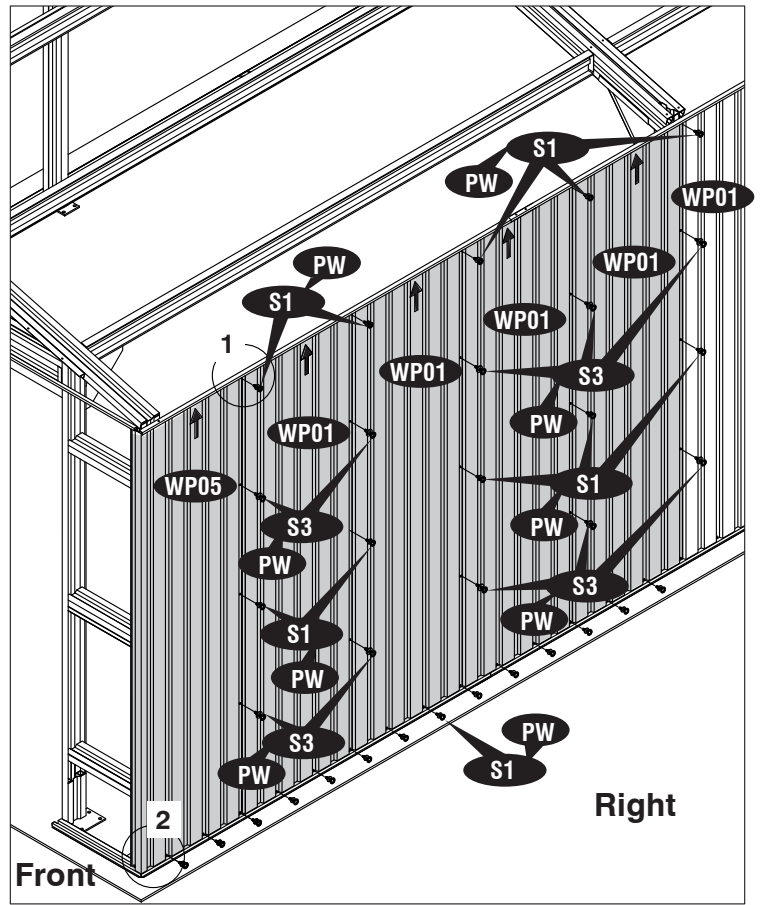


Fig.2



Front

Right

Step - 9

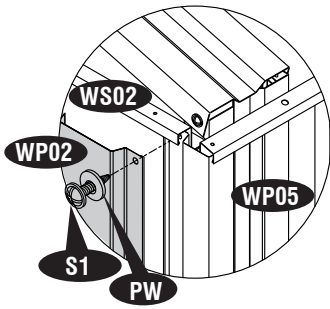


Fig.1

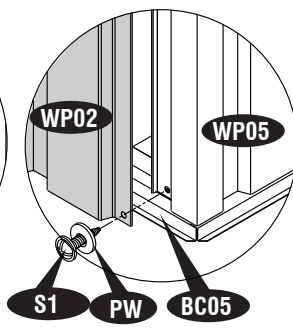


Fig.2

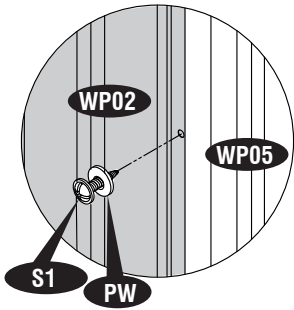


Fig.3

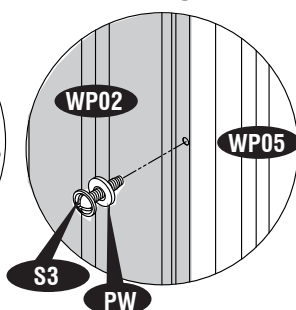
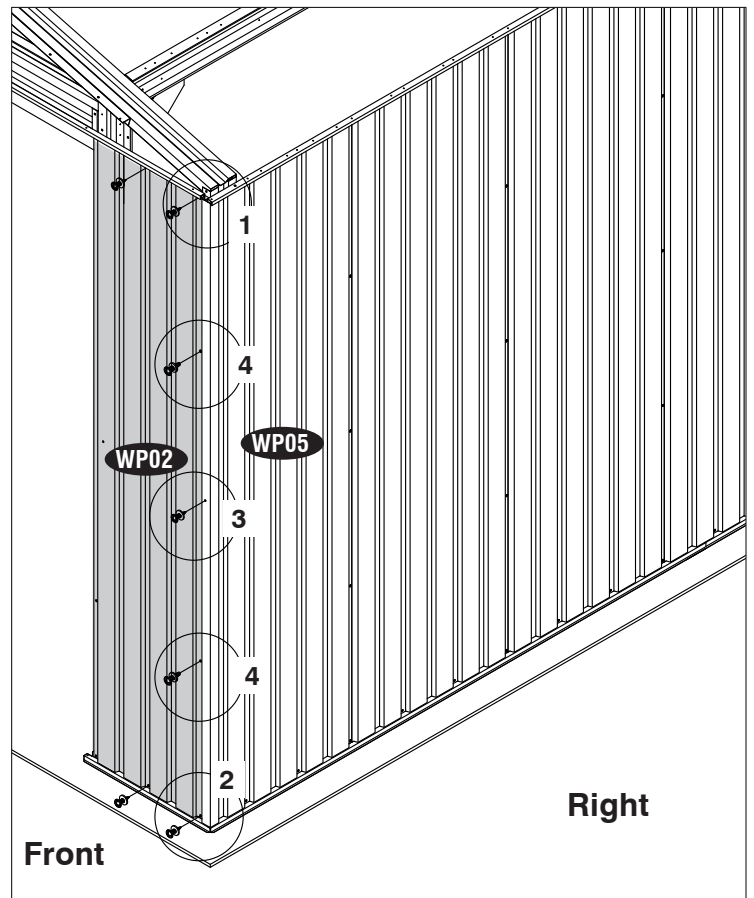


Fig.4



Front

Right

Step - 10

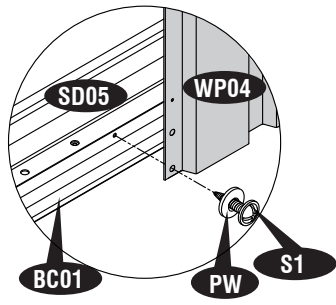


Fig.1

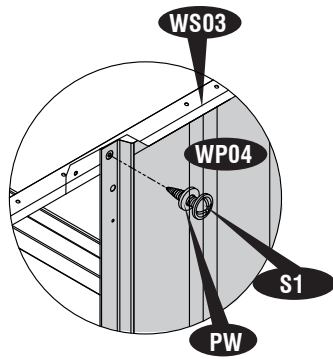
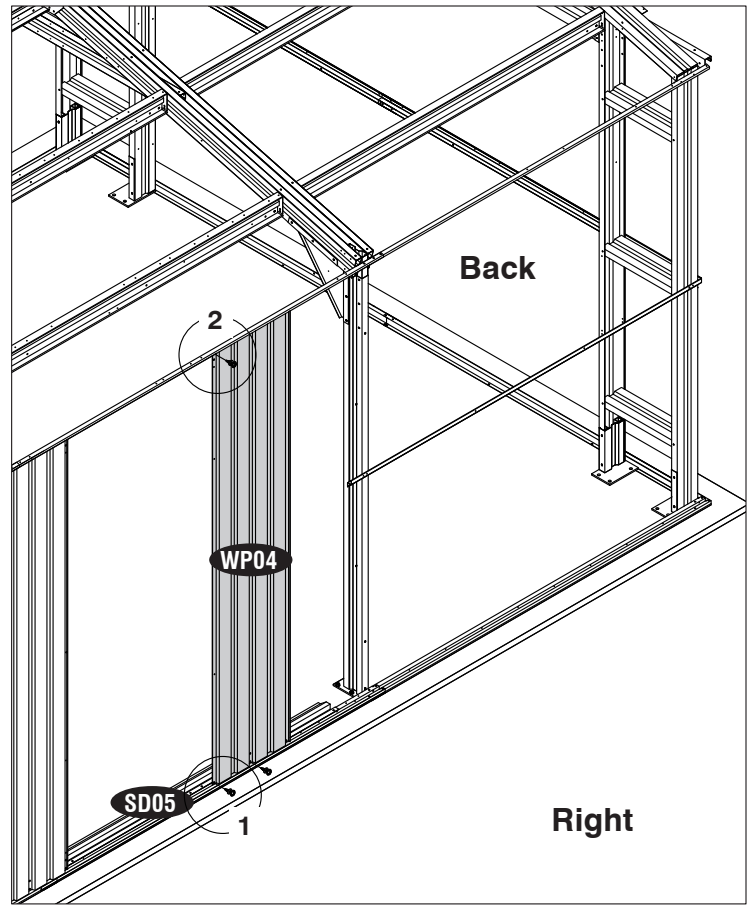


Fig.2



Step - 11

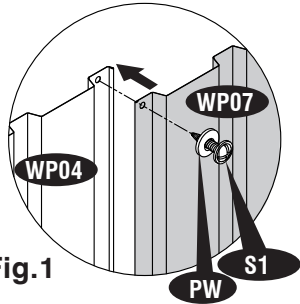


Fig.1

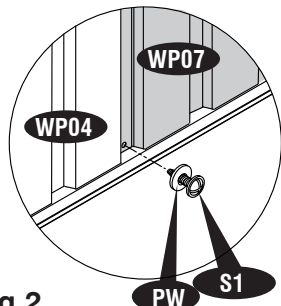


Fig.2

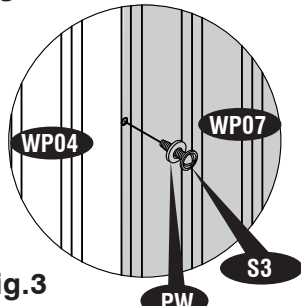
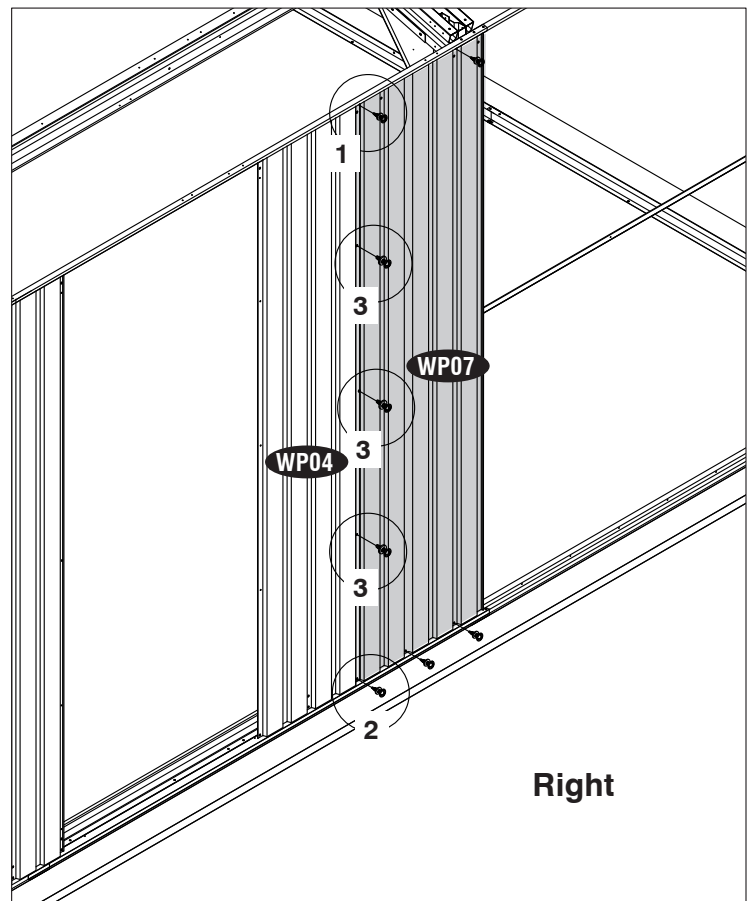


Fig.3



IMPORTANT: USE HAND GLOVES TO PREVENT INJURY.

Step - 12

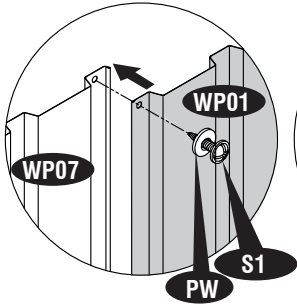


Fig.1

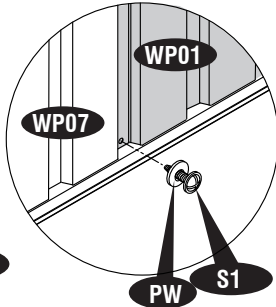


Fig.2

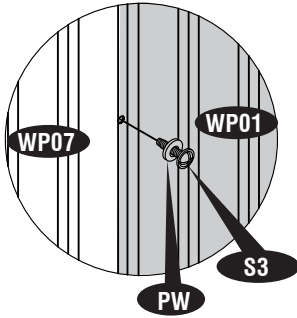


Fig.3

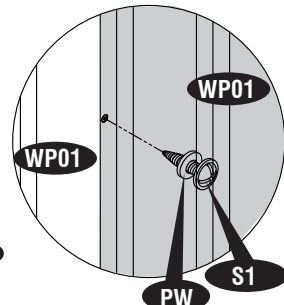
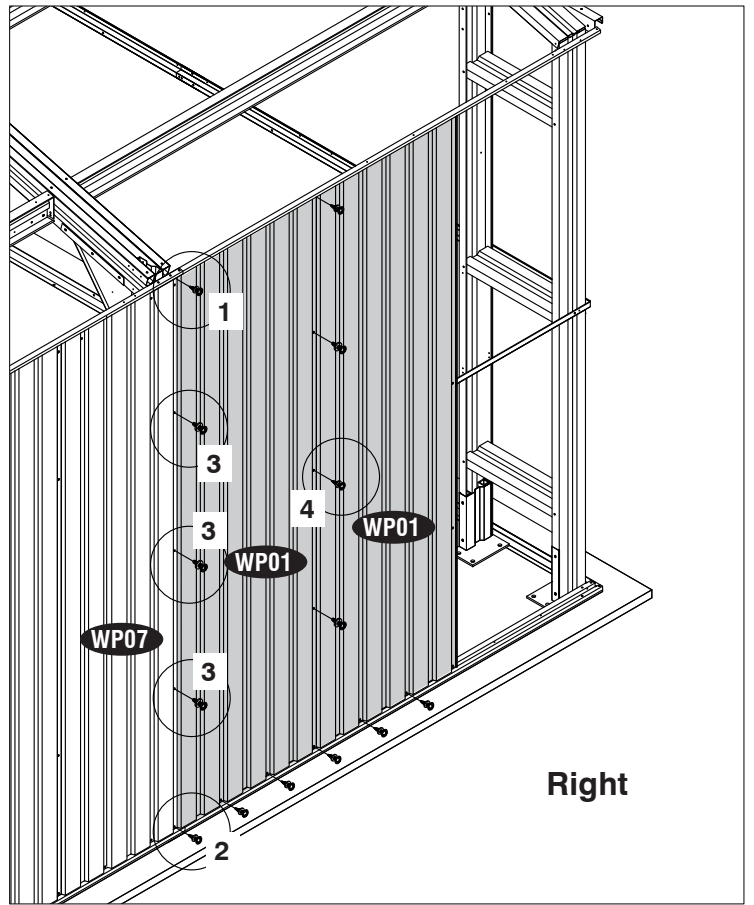


Fig.4



Right

Step - 13

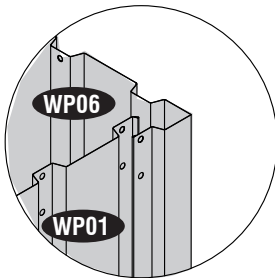


Fig.1

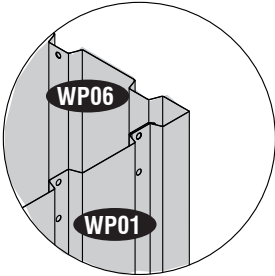
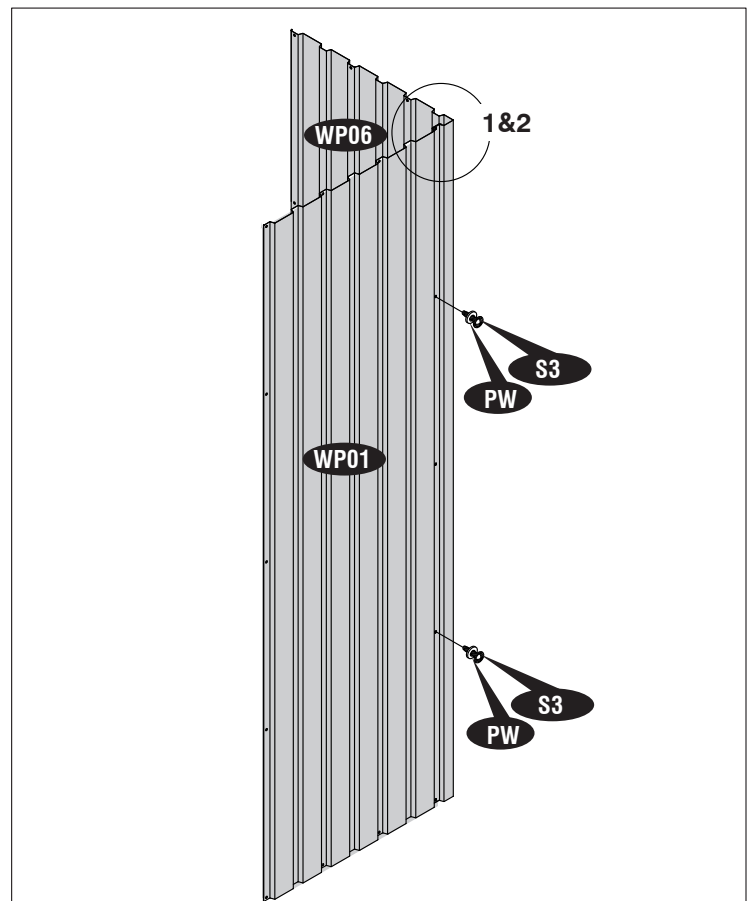


Fig.2



IMPORTANT: USE HAND GLOVES TO PREVENT INJURY.

Step - 14

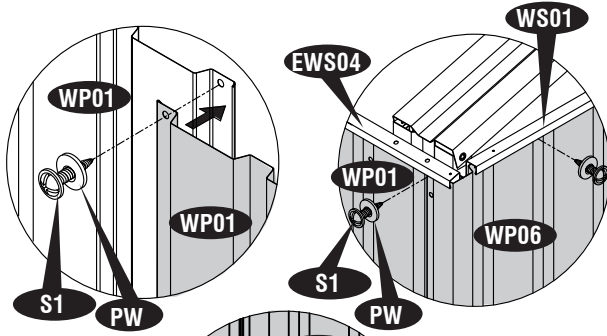


Fig.1

Fig.2

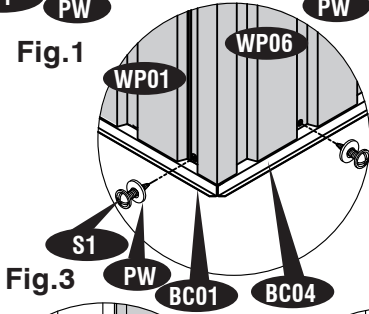


Fig.3

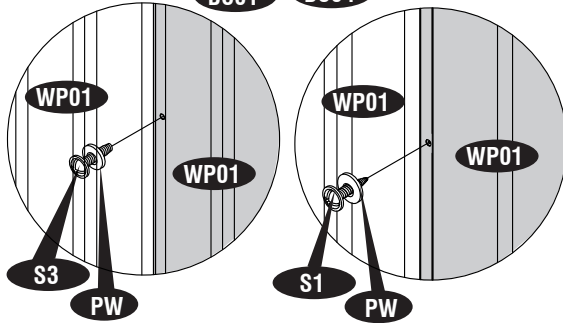
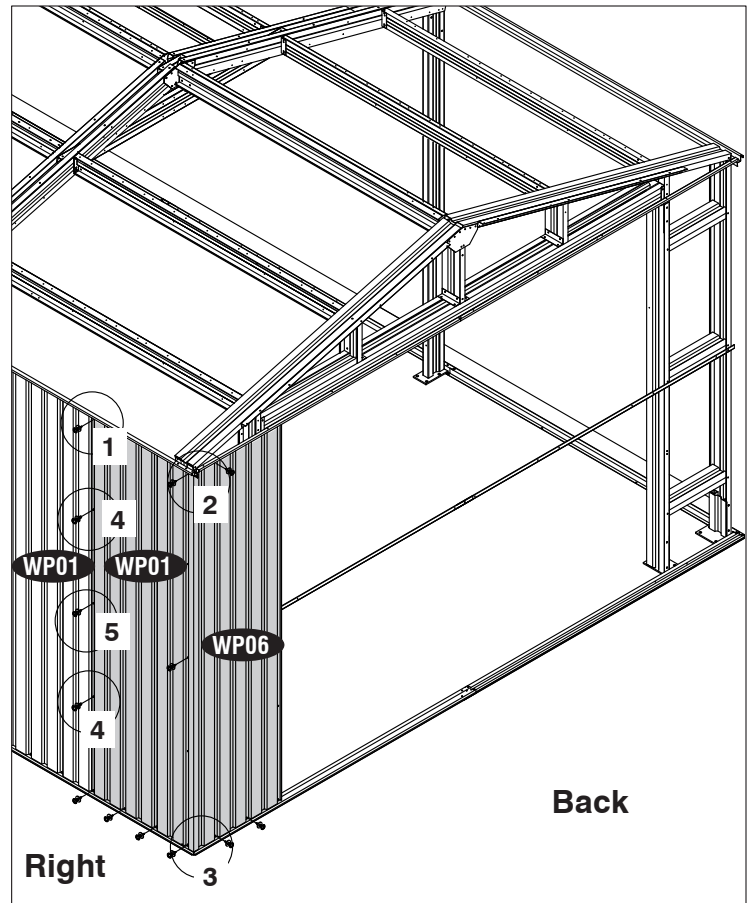


Fig.4

Fig.5



Back

Right

Step - 15

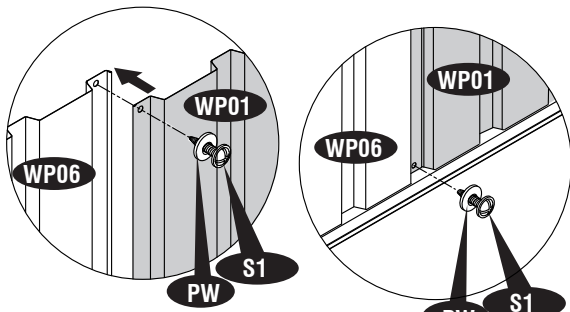


Fig.1

Fig.2

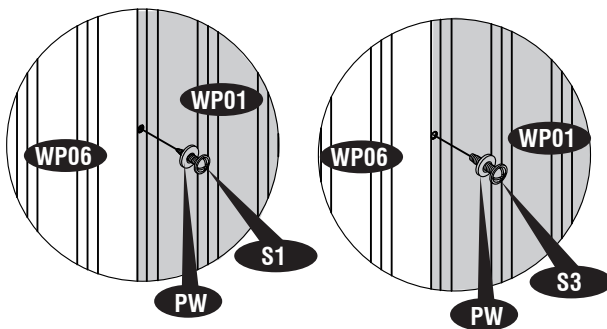
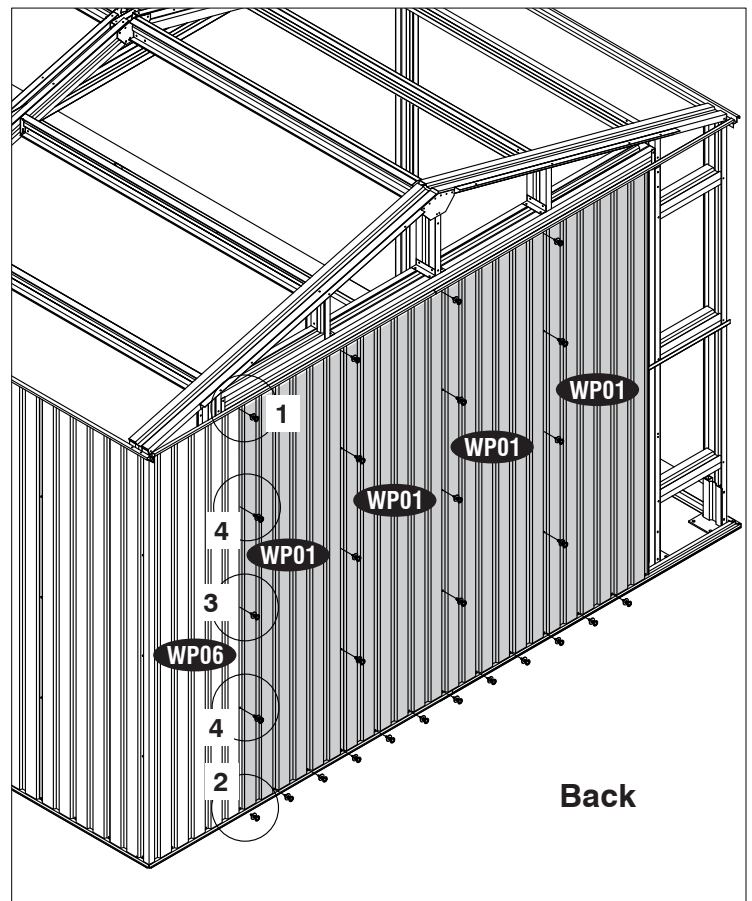


Fig.3

Fig.4



Back

IMPORTANT: USE HAND GLOVES TO PREVENT INJURY.

Step - 16

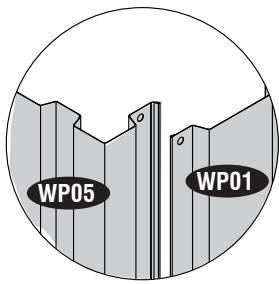


Fig.1

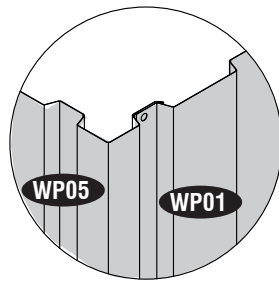
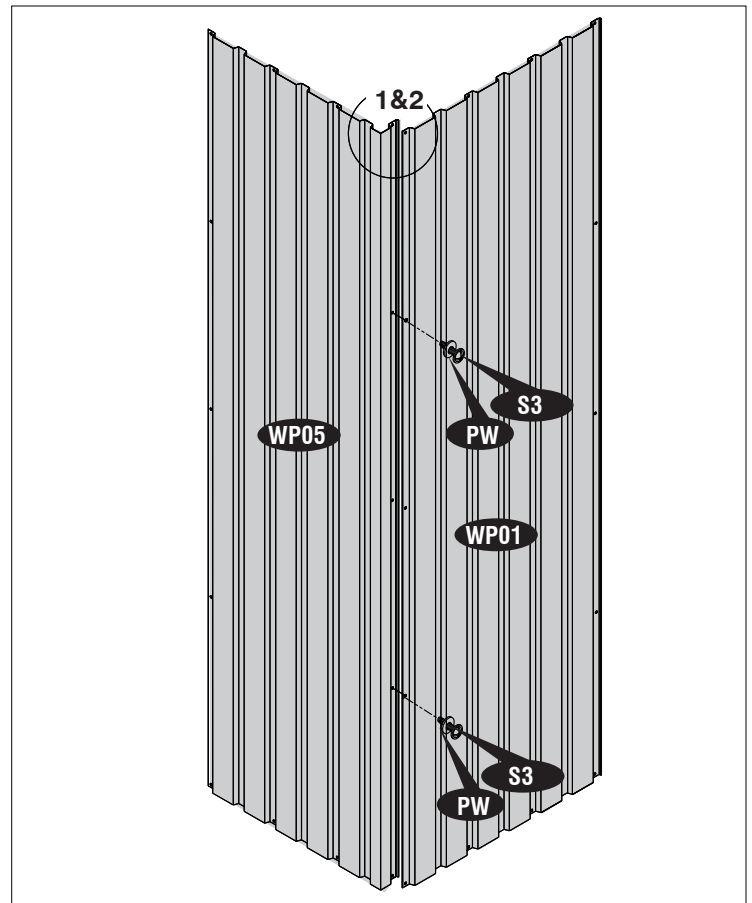


Fig.2



Step - 17

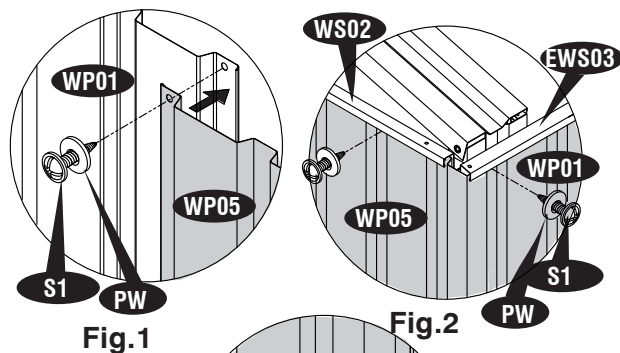


Fig.1

Fig.2

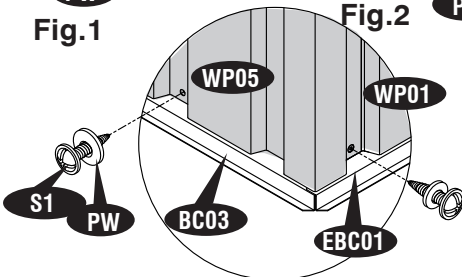


Fig.3

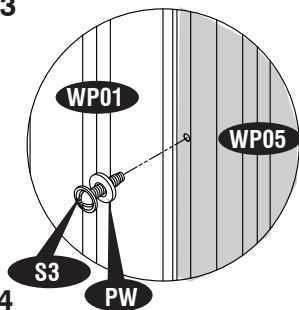
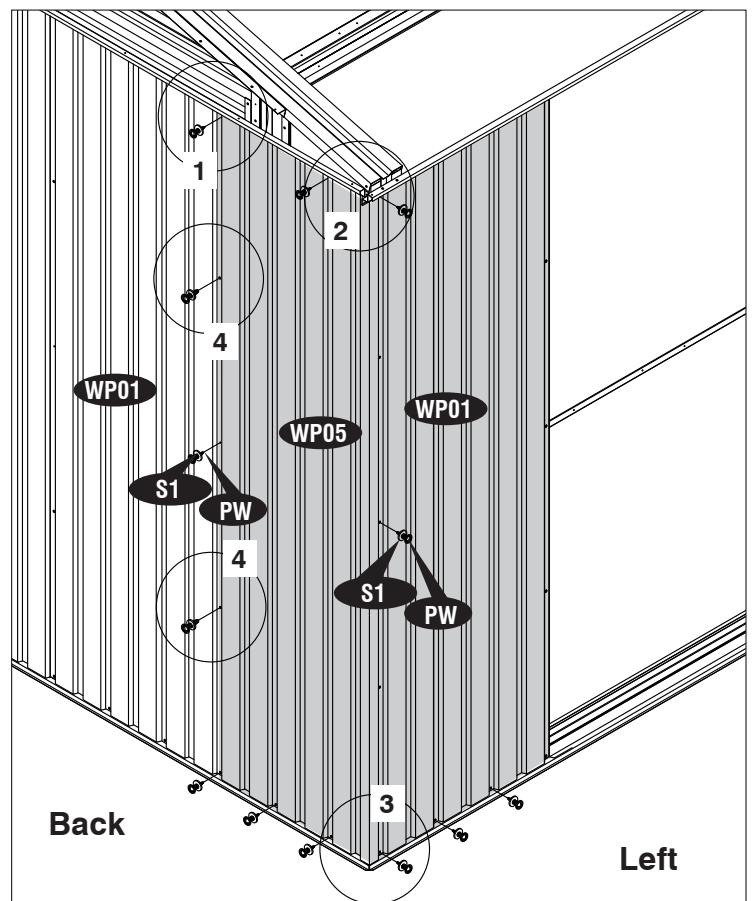


Fig.4



Back

Left

IMPORTANT: USE HAND GLOVES TO PREVENT INJURY.

Step - 18

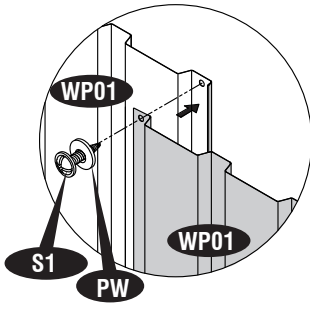


Fig.1

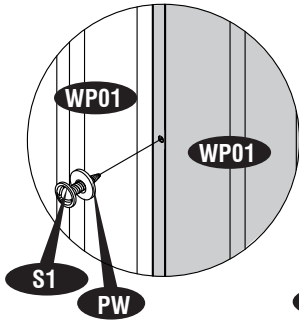


Fig.2

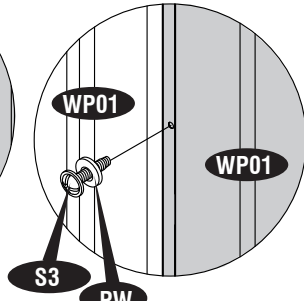
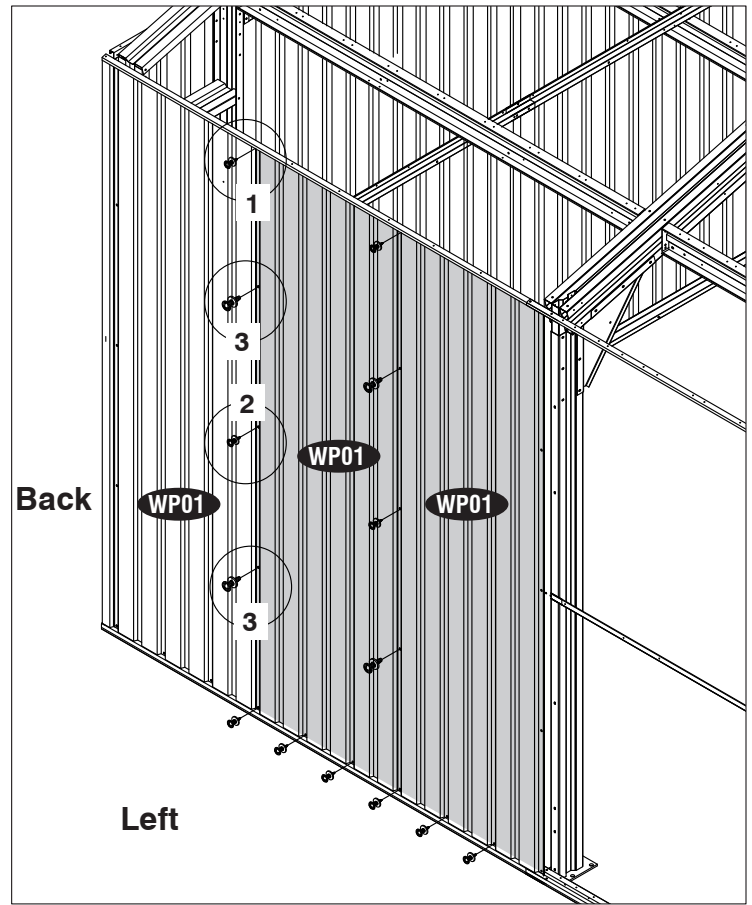
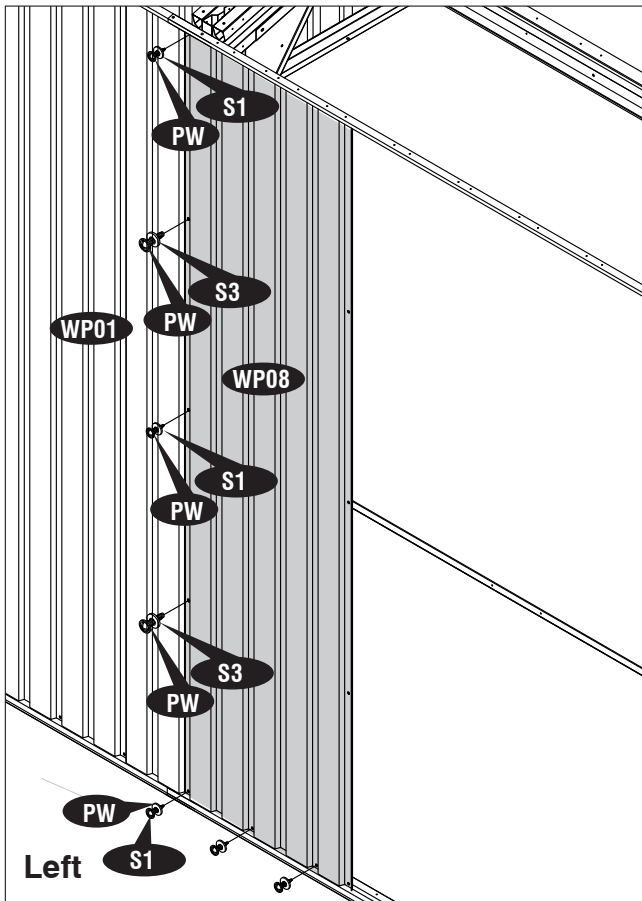


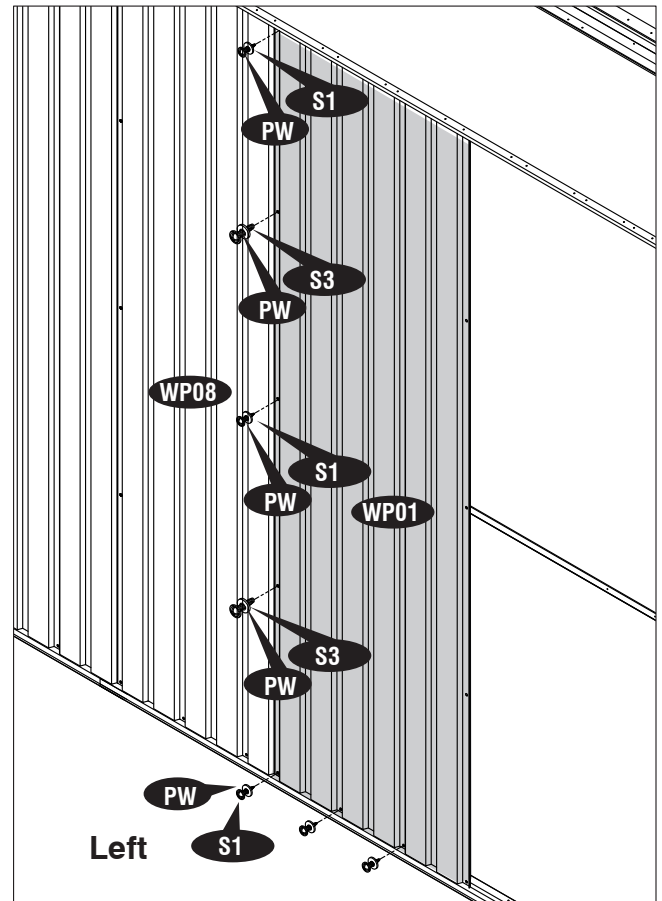
Fig.3



Step - 19

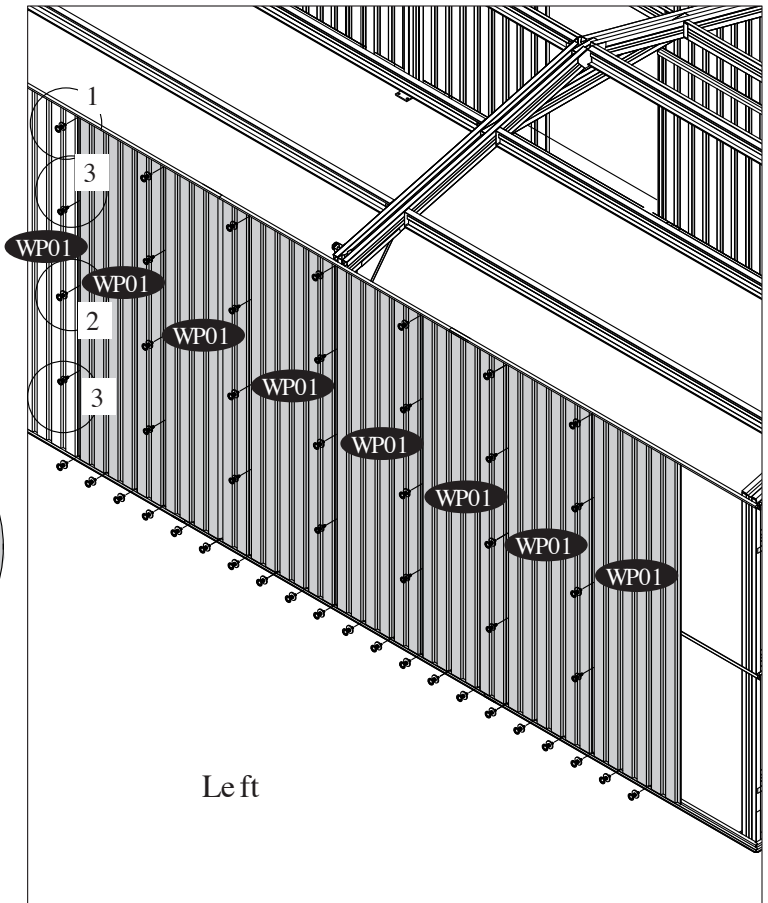
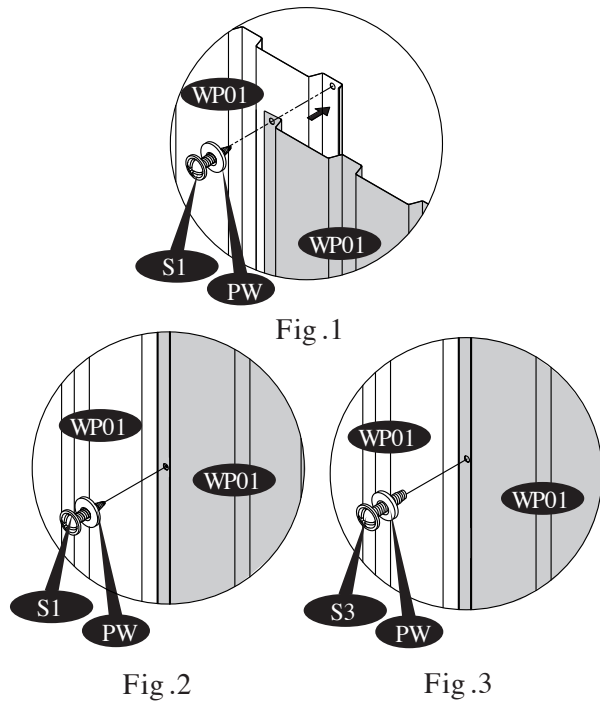


Step - 20

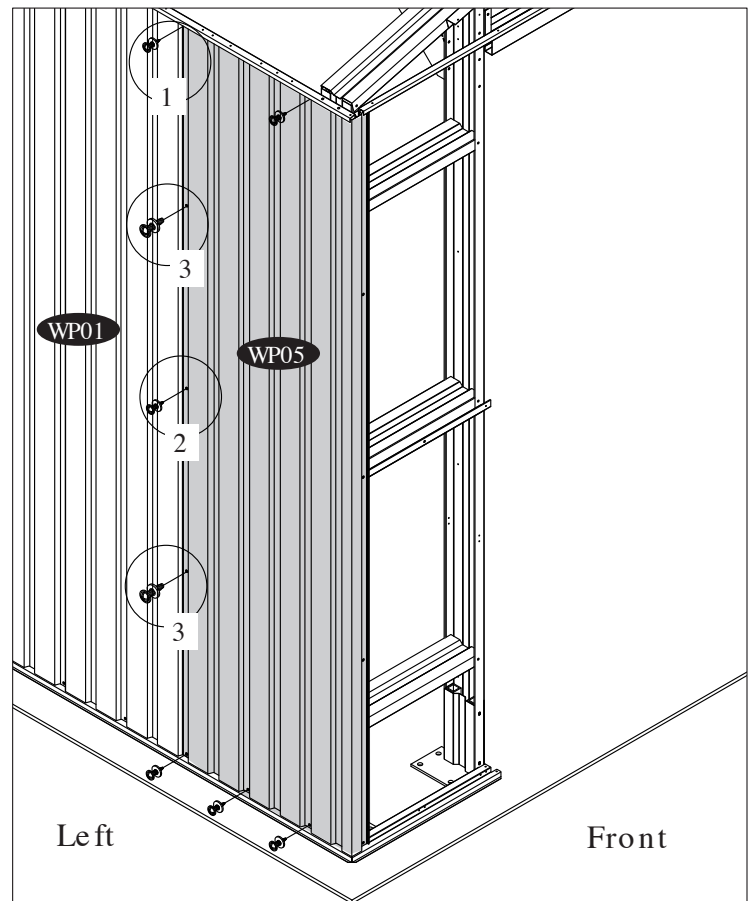
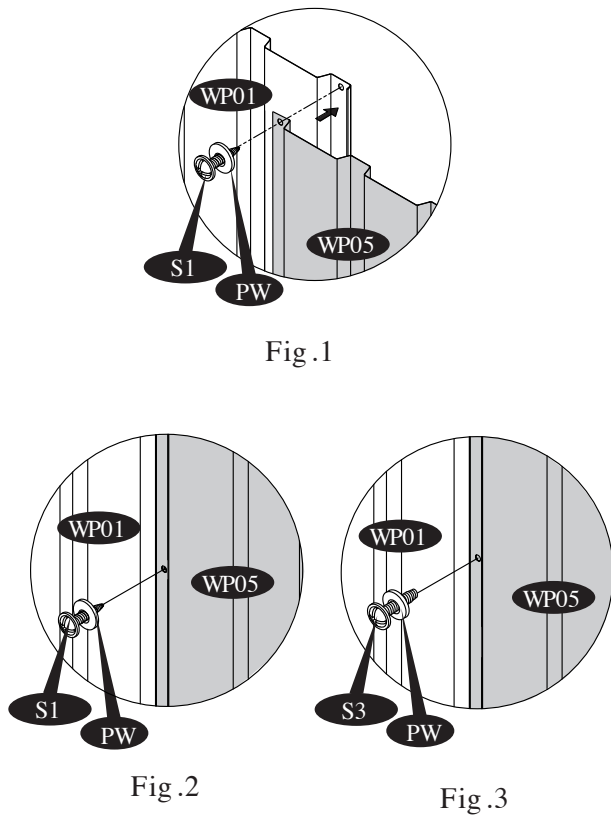


IMPORTANT: USE HAND GLOVES TO PREVENT INJURY.

Step - 21



Step - 22



Step - 23

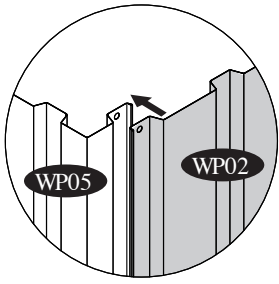


Fig.1

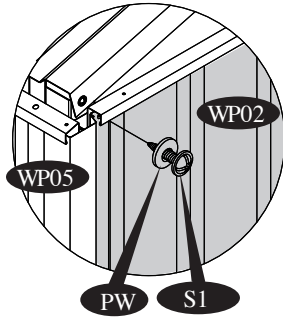


Fig.2

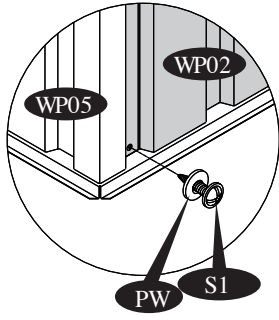


Fig.3

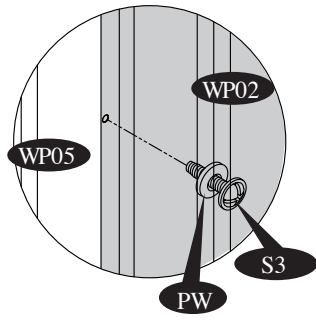
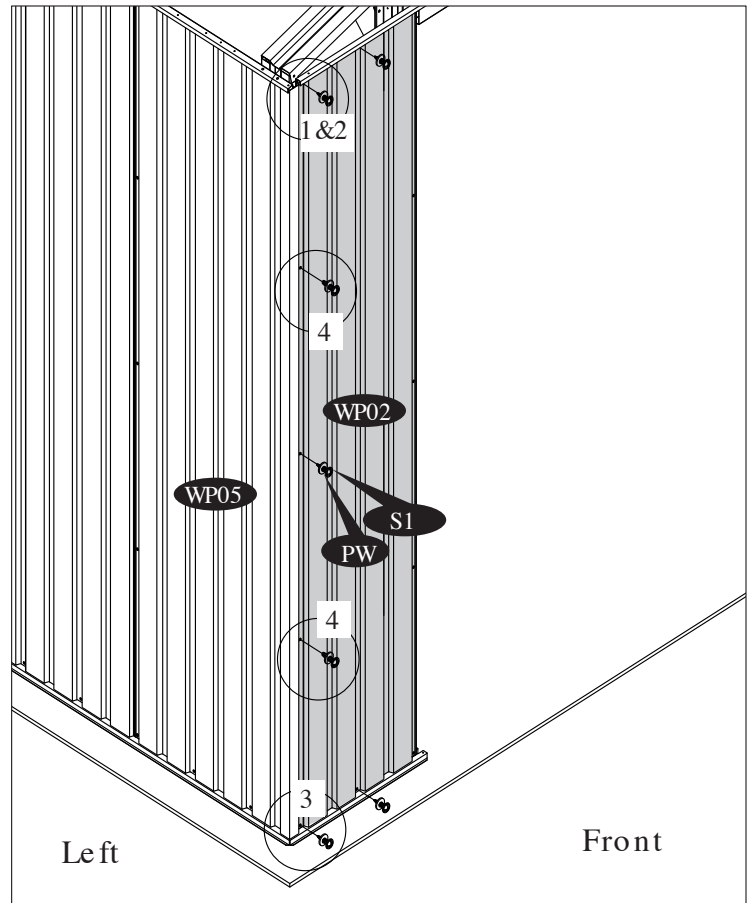


Fig.4



Step - 24

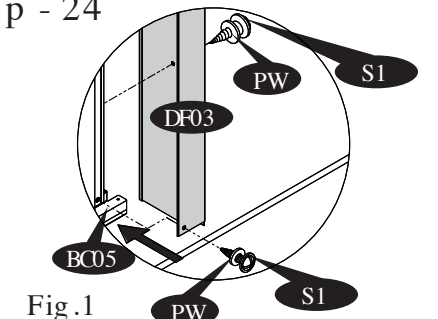


Fig.1

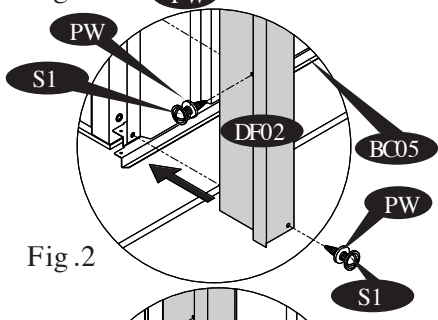


Fig.2

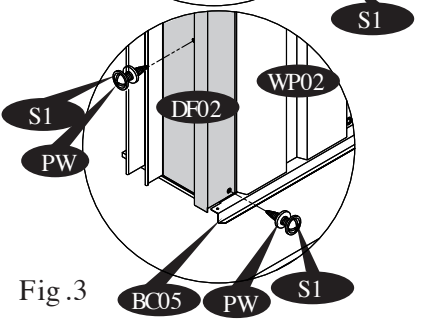
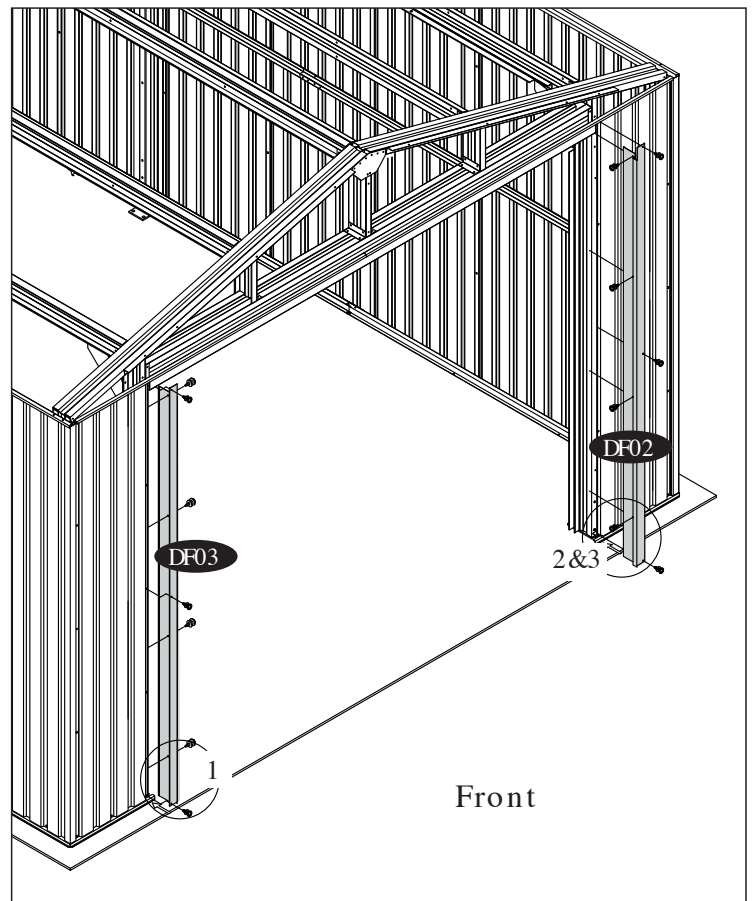


Fig.3



Step - 25

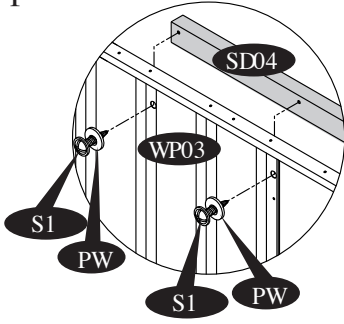


Fig.1

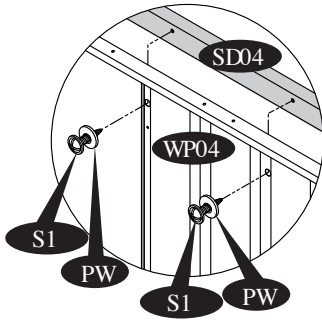
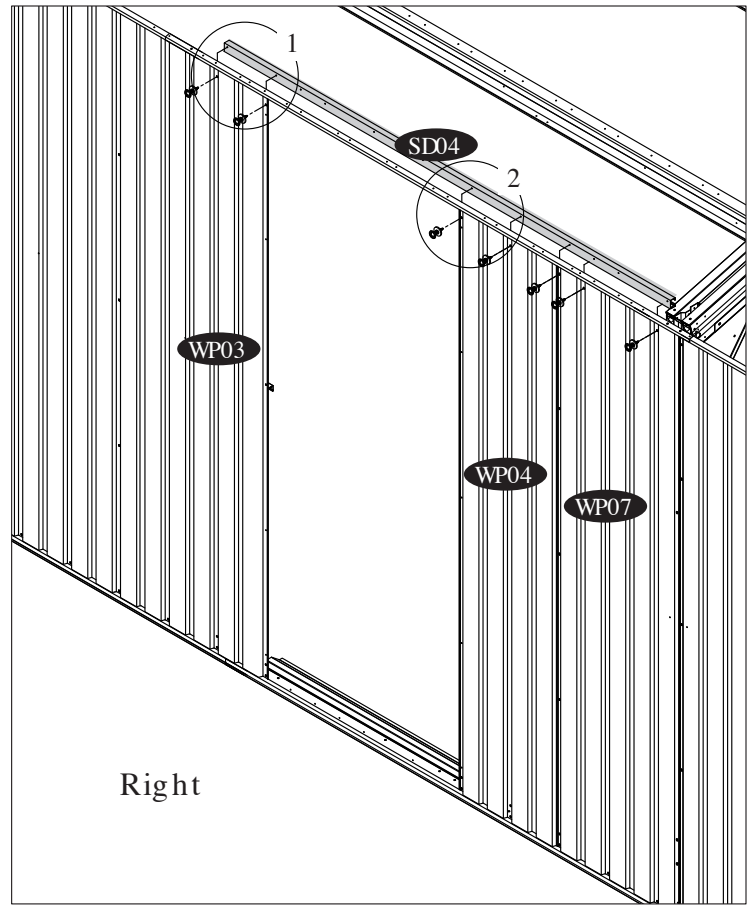


Fig.2



Step - 26

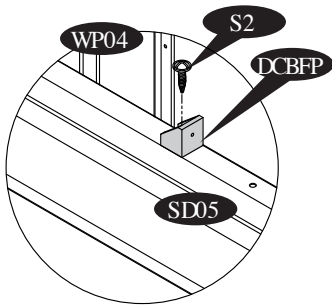


Fig.1

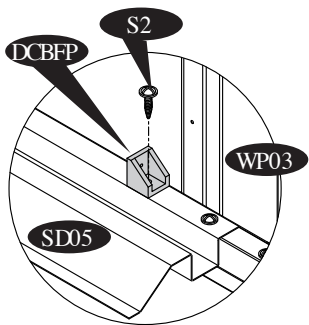
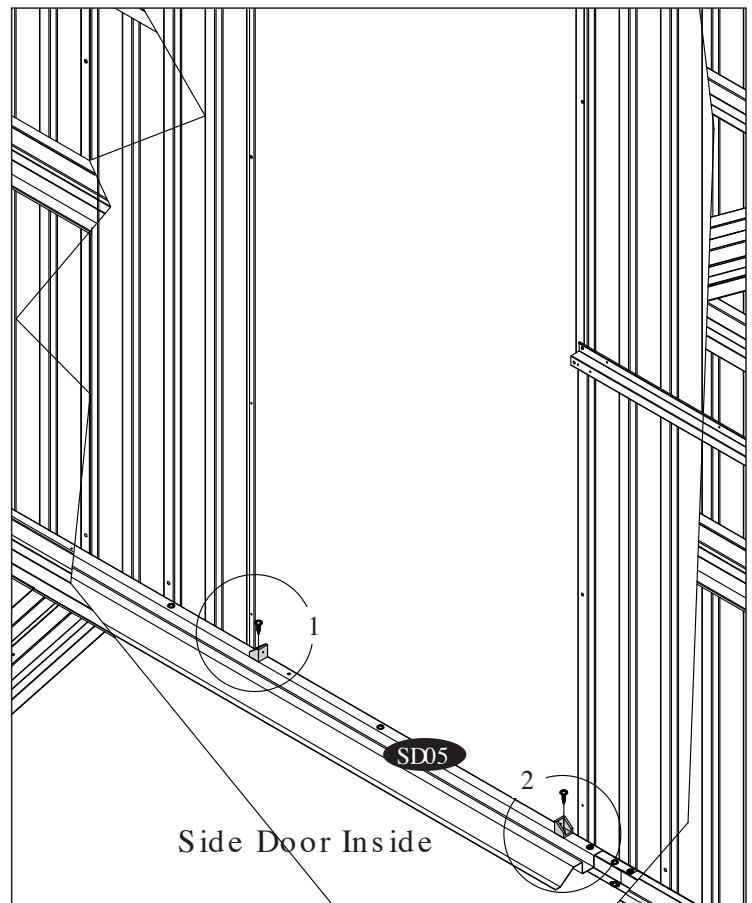


Fig.2



Step - 27

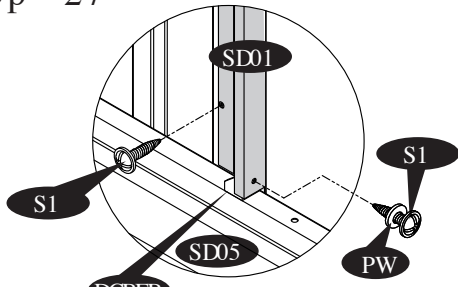


Fig.1

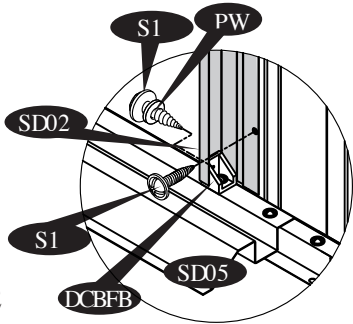


Fig.2

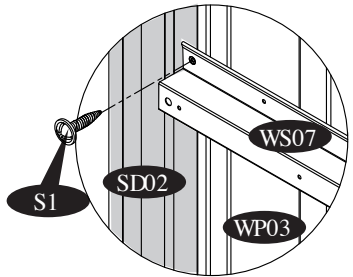
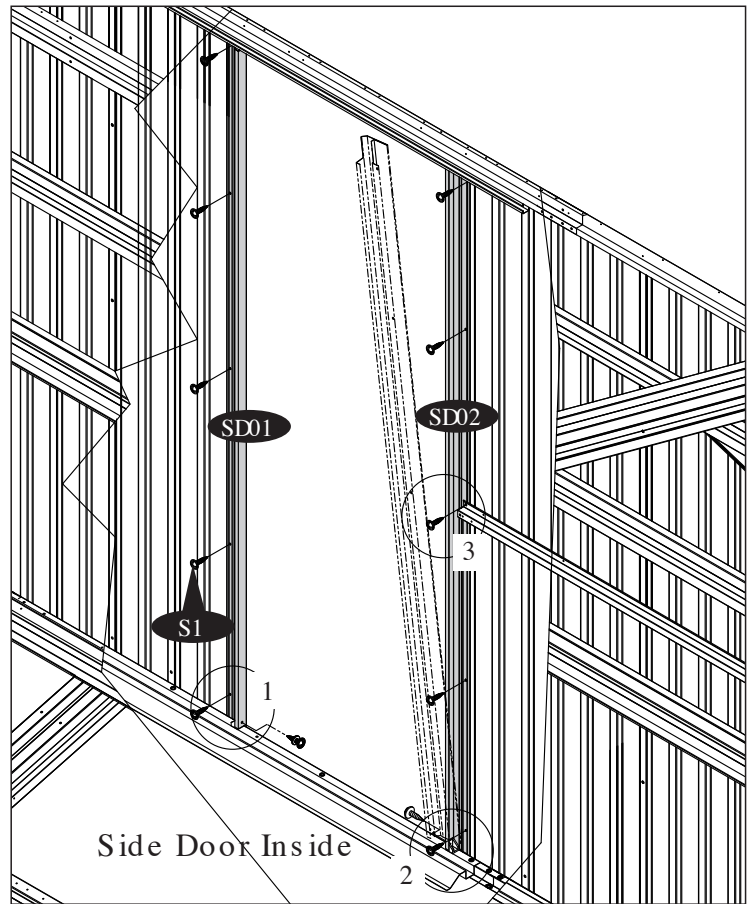


Fig.3



Step - 28

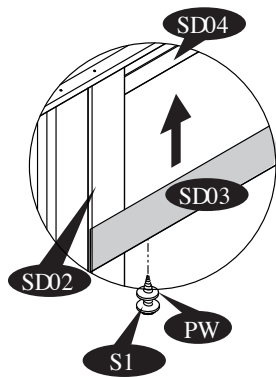


Fig.1

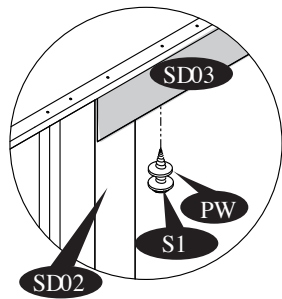
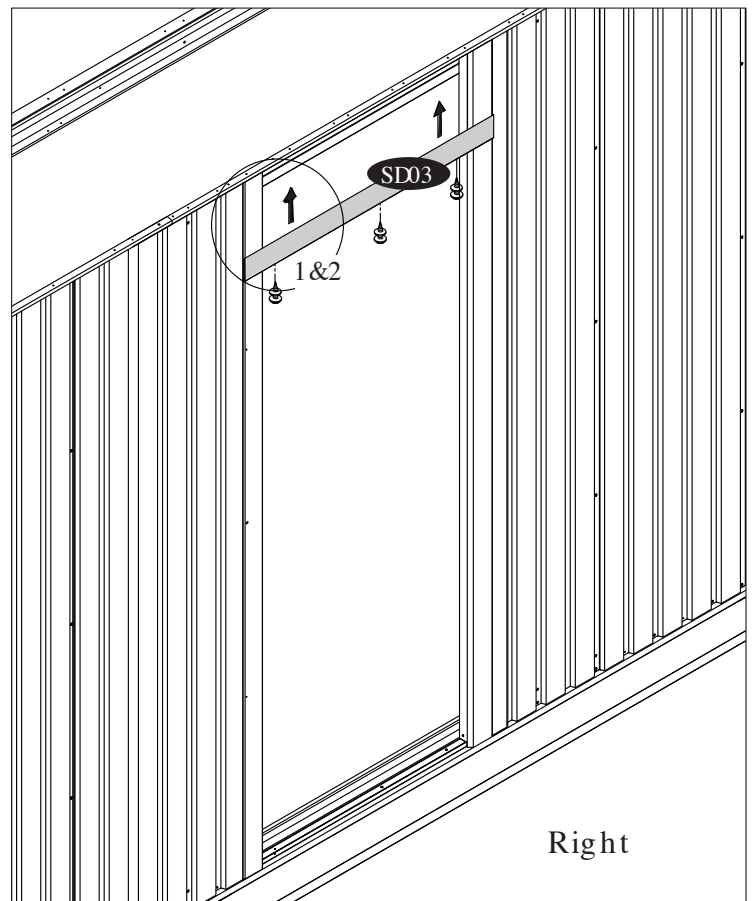


Fig.2



Step - 29

Make 2 Sets

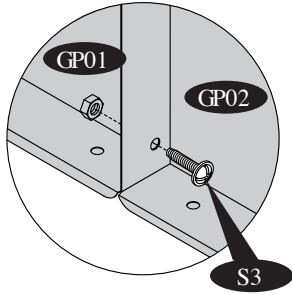
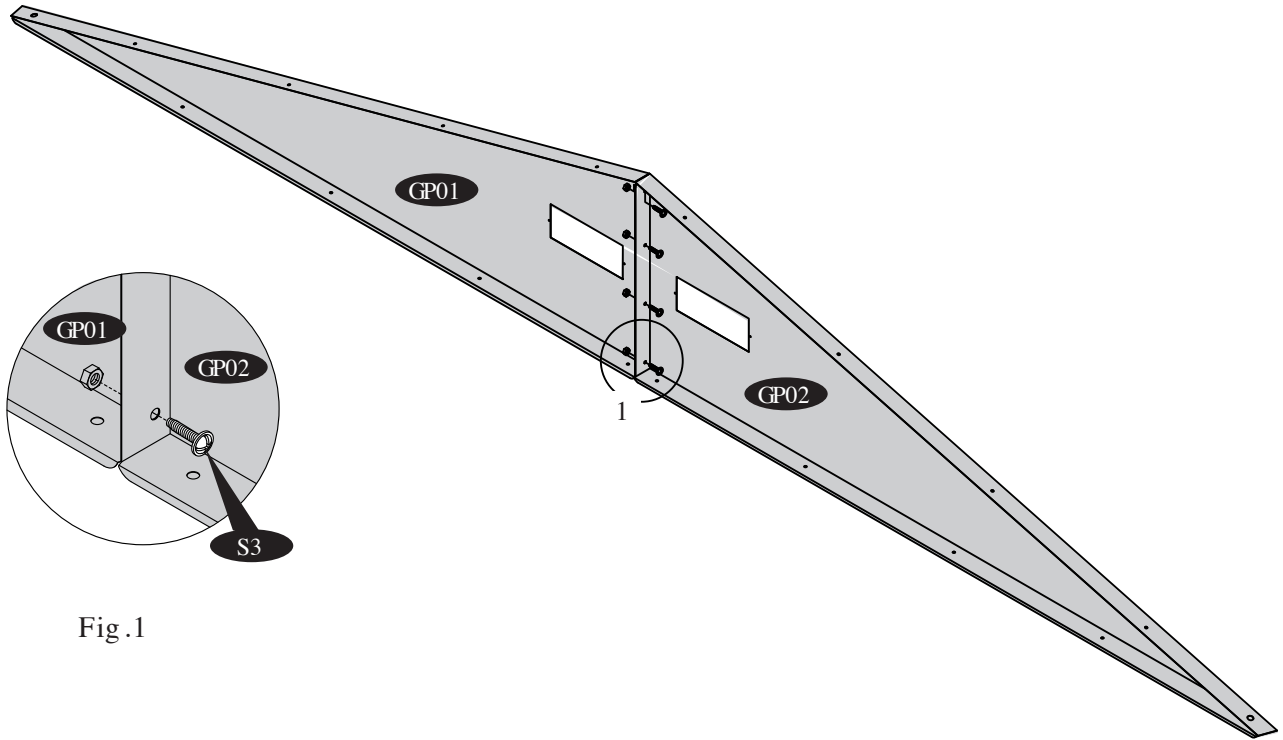


Fig.1

Step - 30

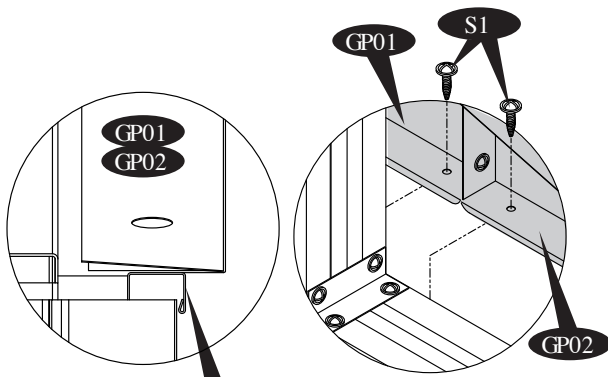


Fig.1

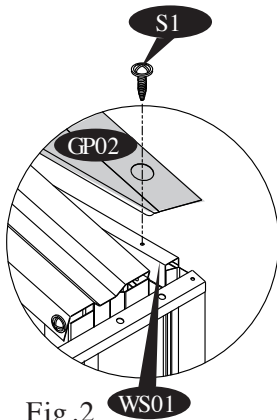


Fig.2

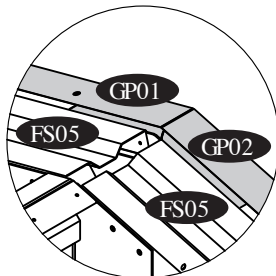
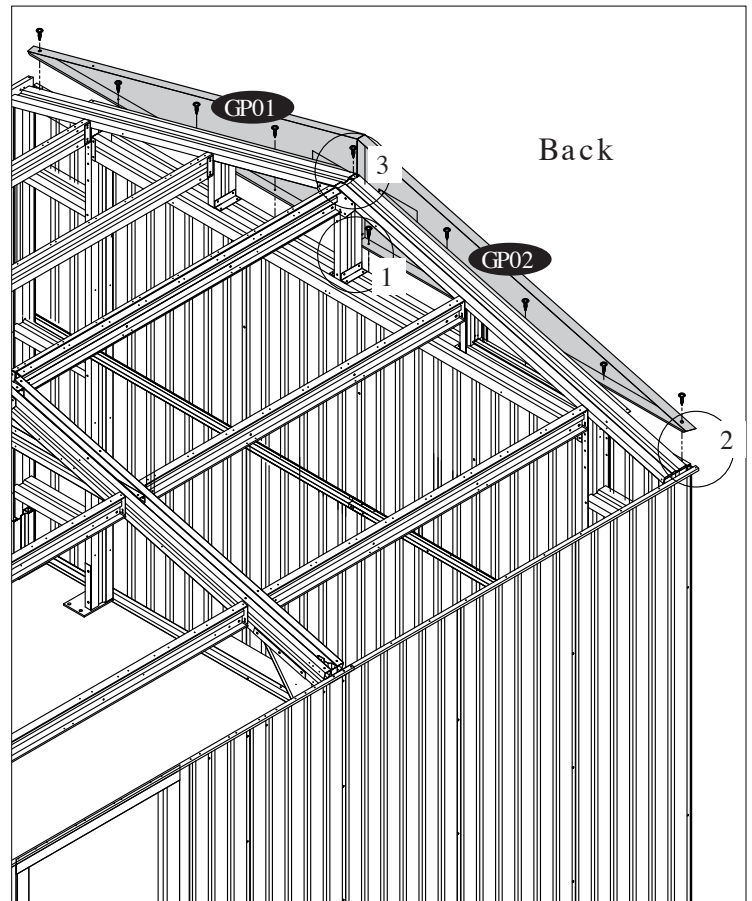
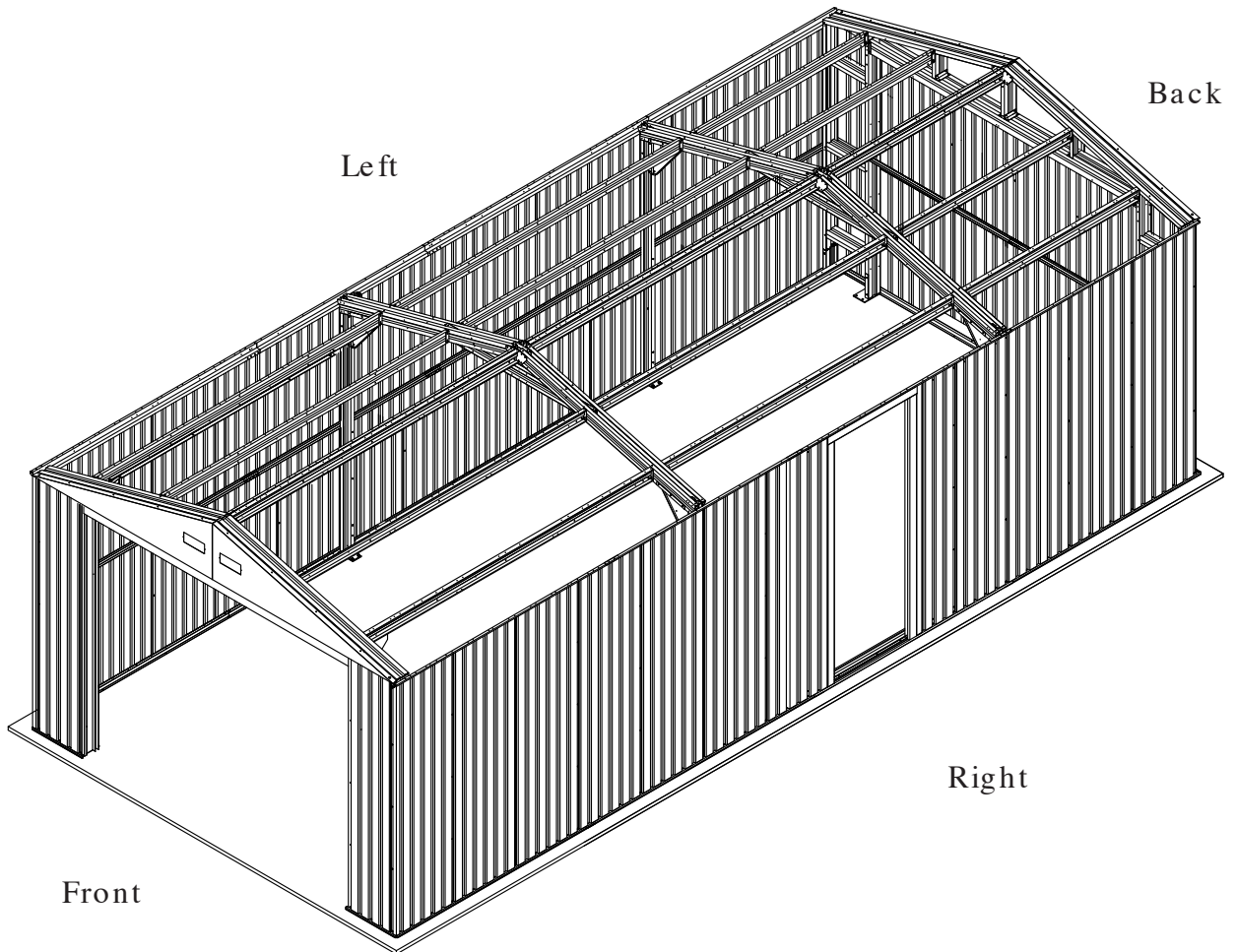
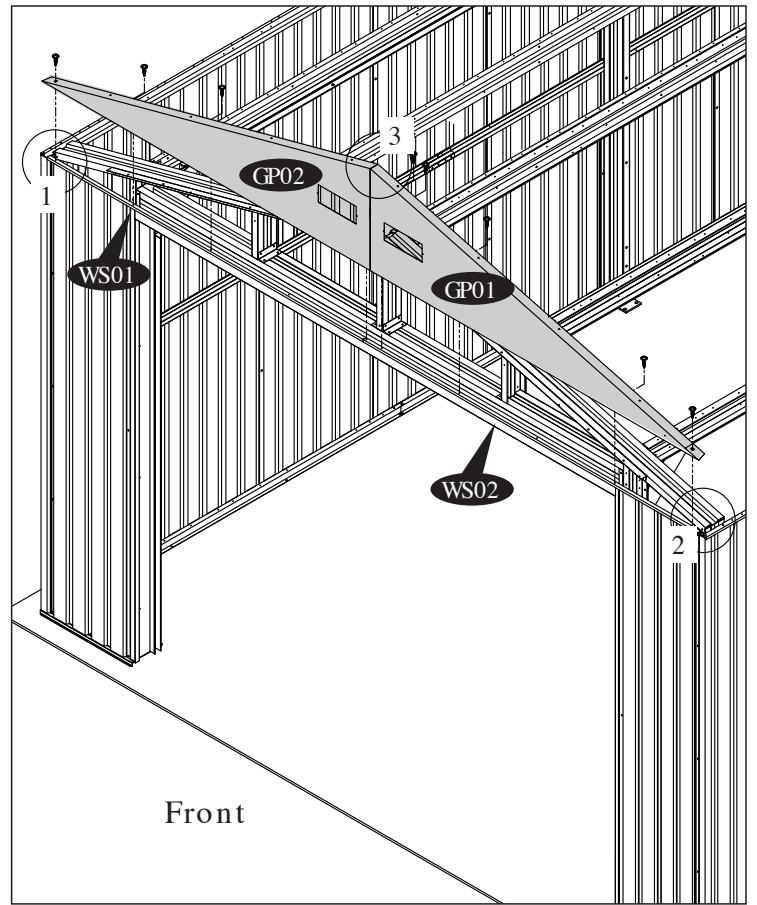
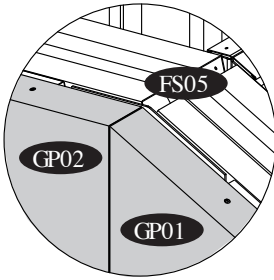
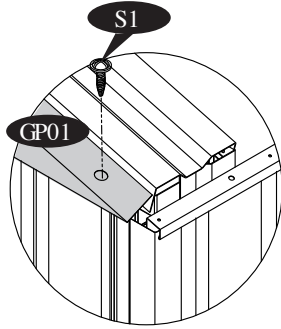
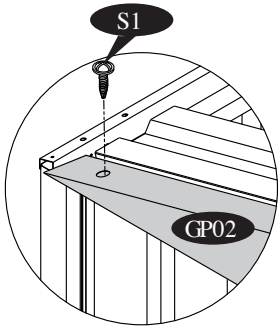


Fig.3



Step - 31



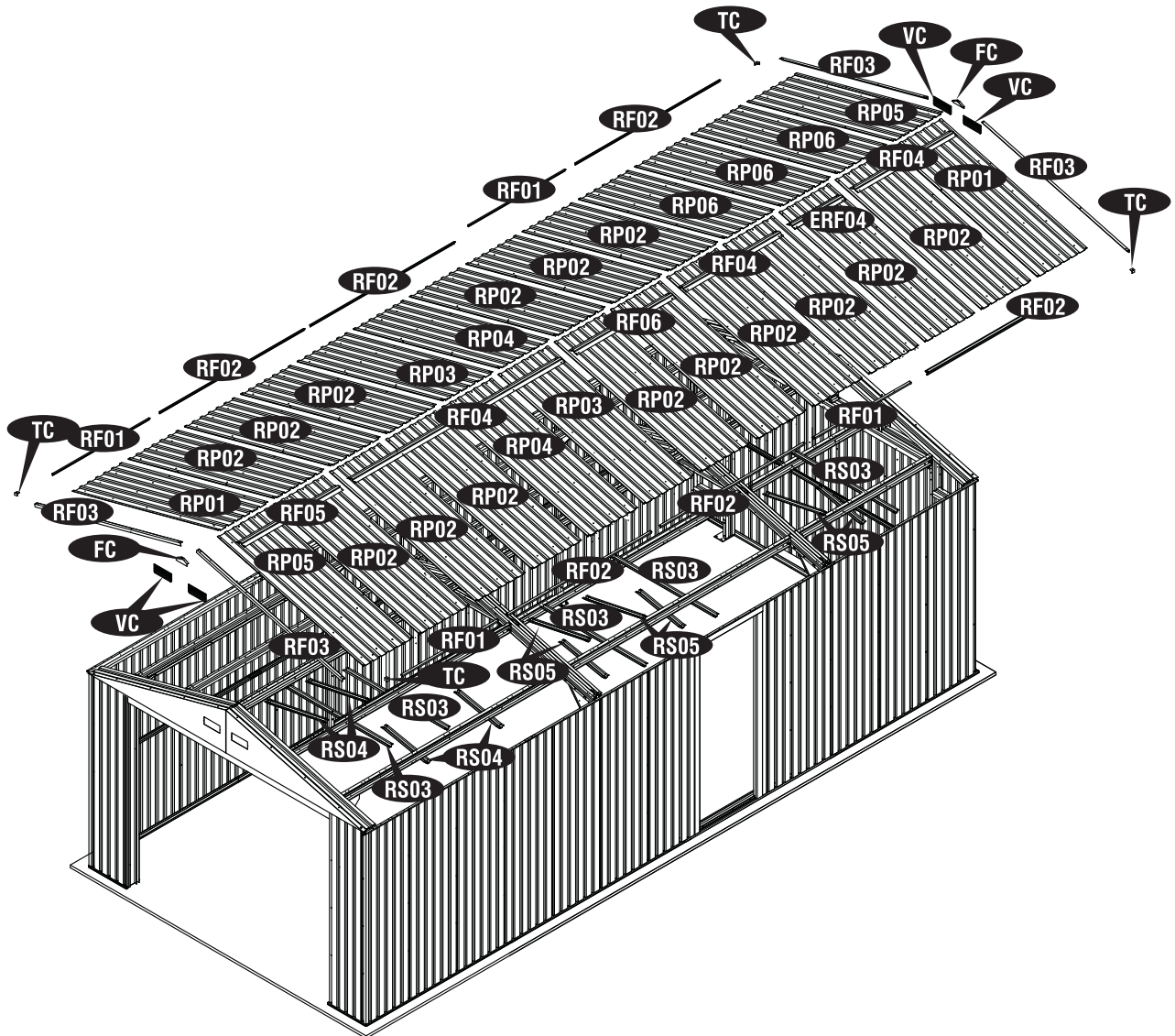
F. Roof Panel Installations and Accessories

Parts Needed:

Code	Qty	Code	Qty
RP01	2	WST	8Meter
RP02	12	FC	2
RP03	2	VC	4
RP04	2	TC	4
RP05	2	S1	254
RF01	4	S2	28
RF02	4	S3	62
RF03	4	S9	24
RF04	3	PW	332
RF05	1		
RF06	1		
RS03	4		
RS04	4		
RS05	4		

Parts Needed for each extension:

Code	Qty
RP02	3
RP06	3
RF02	2
RF04	1
ERF04	1
RS03	1
RS05	2
ERF04	1
WST	2.5Meter
S1	72
S2	8
S3	18
S9	6
PW	60



Step - 1

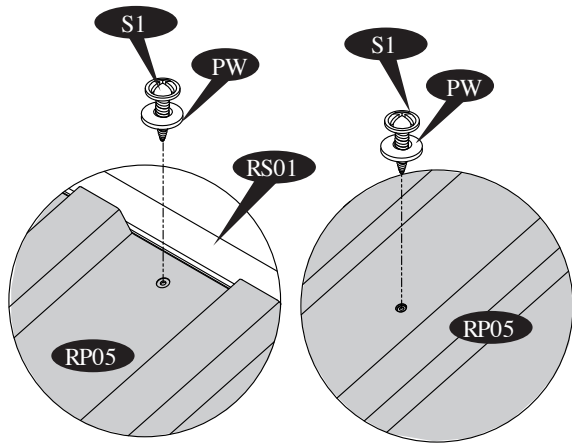
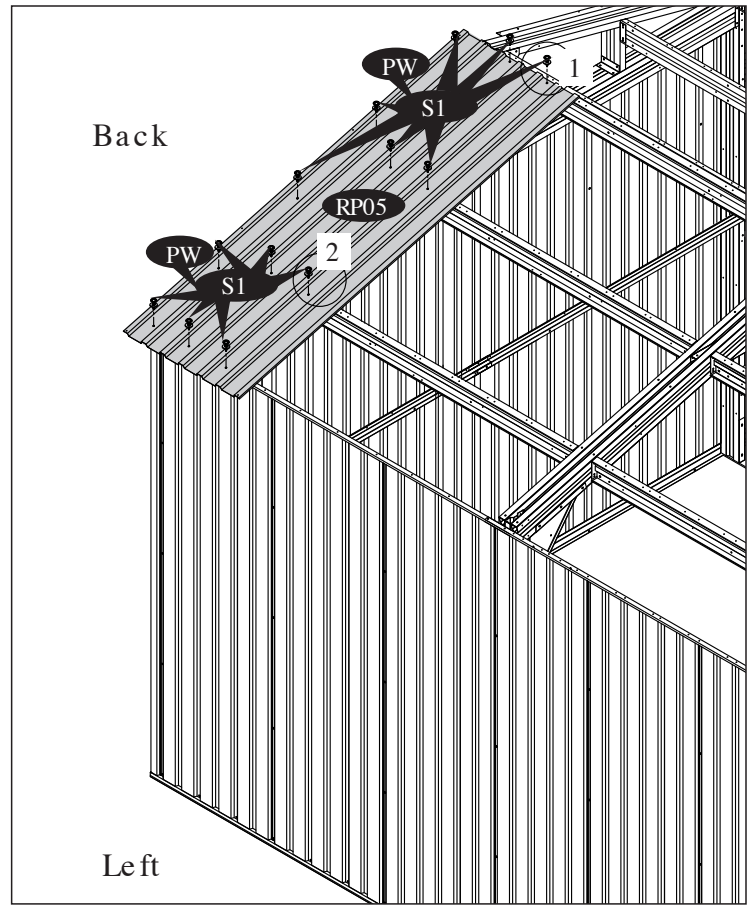
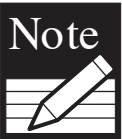


Fig.1

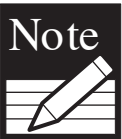
Fig.2



Step -2



Make sure the overlapping position for roof panel is as shown in blow up.



Roof Panel installation by using ladder from inside at missing Panels.

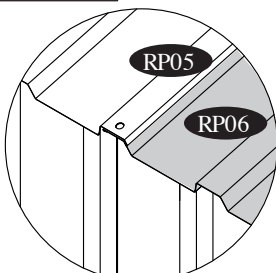


Fig.1

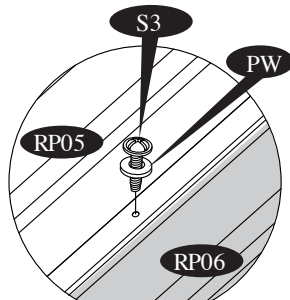


Fig.2

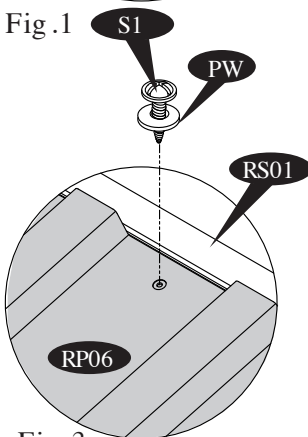


Fig.3

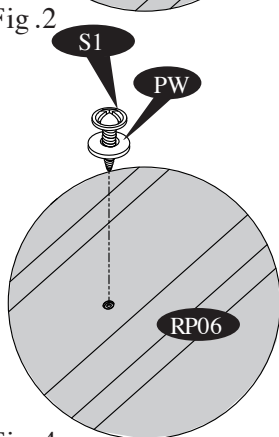
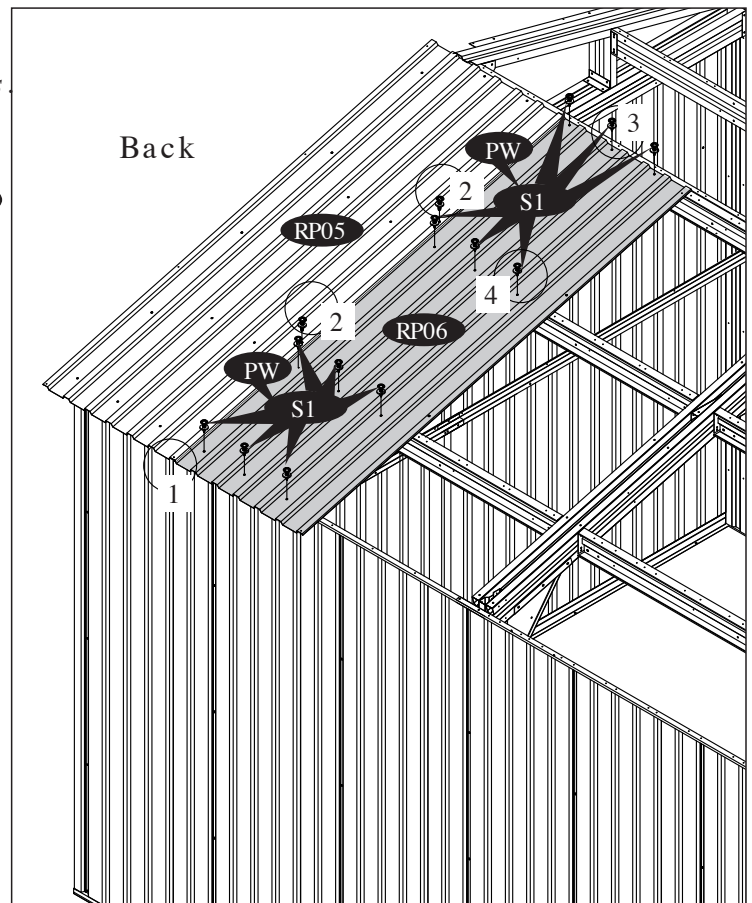


Fig.4



Step -3

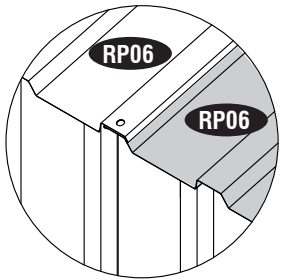


Fig.1

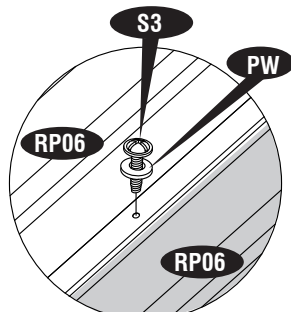


Fig.2

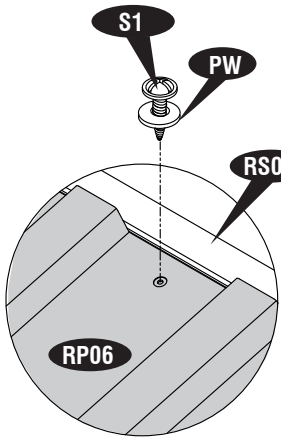


Fig.3

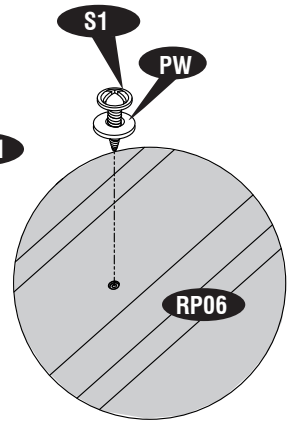
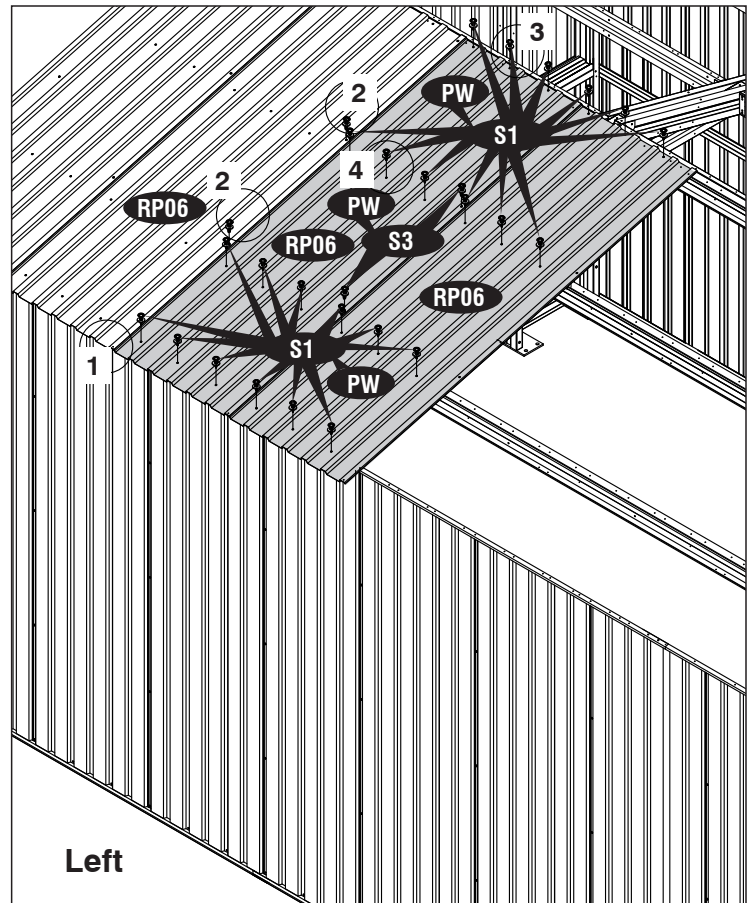


Fig.4



Left

Step -4

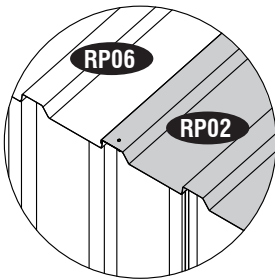


Fig.1

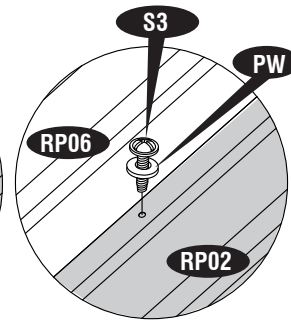


Fig.2

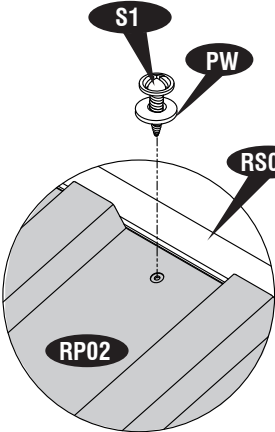


Fig.3

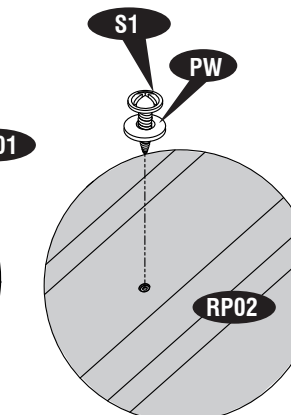
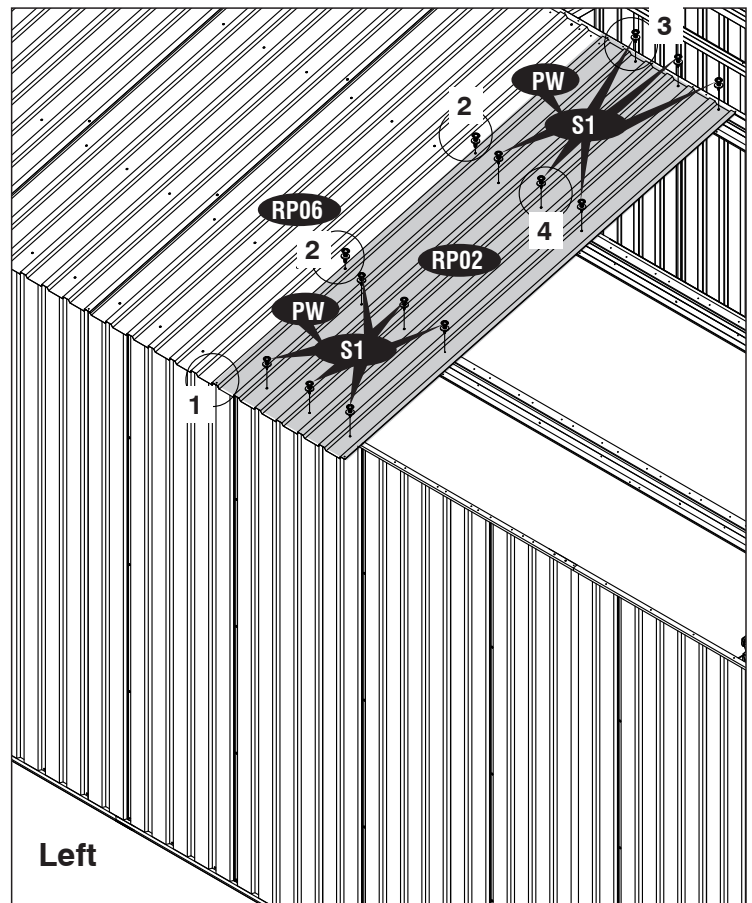


Fig.4



Left

IMPORTANT: USE HAND GLOVES TO PREVENT INJURY.

Step -5

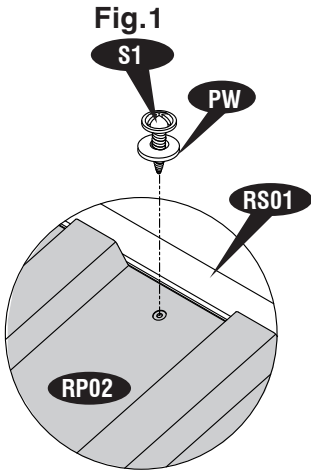
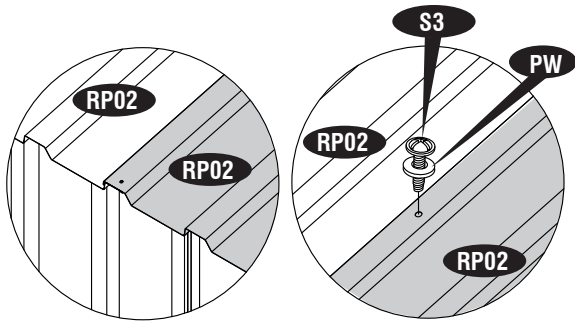


Fig.3

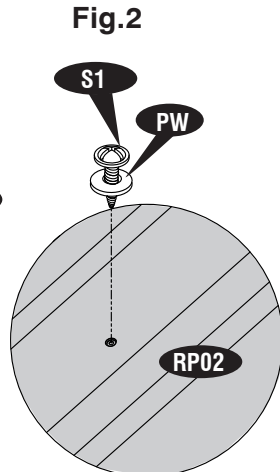
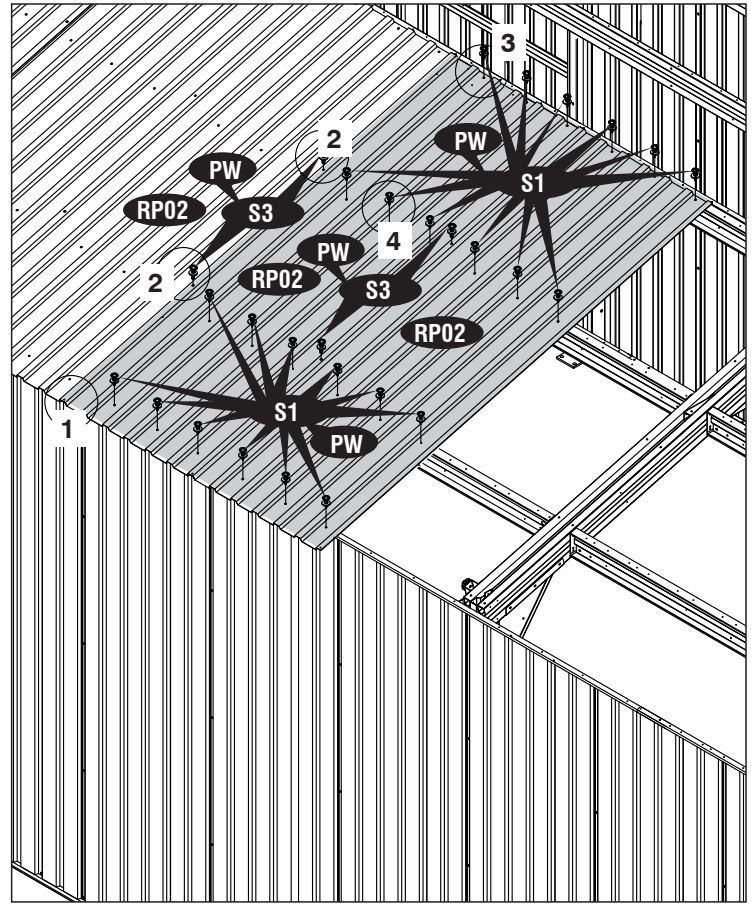
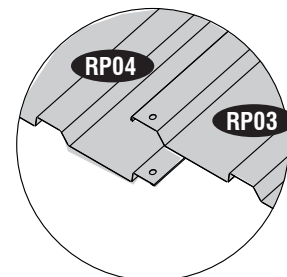
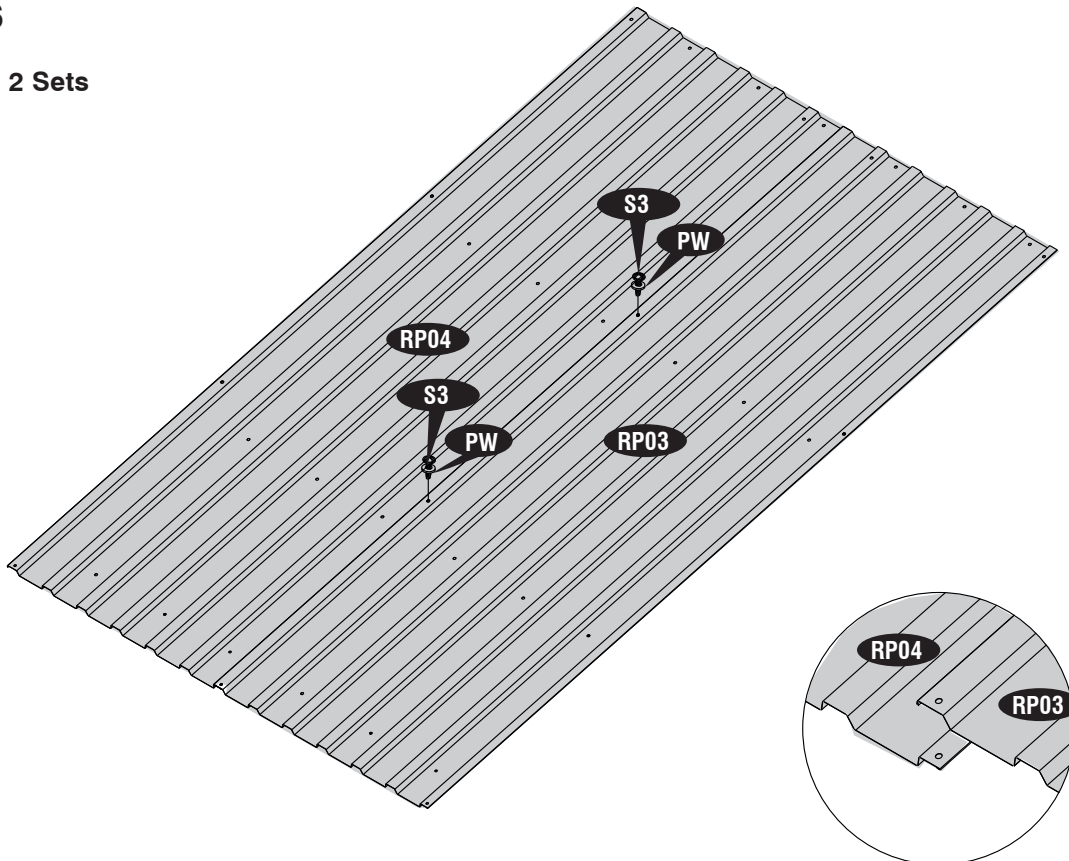


Fig.4



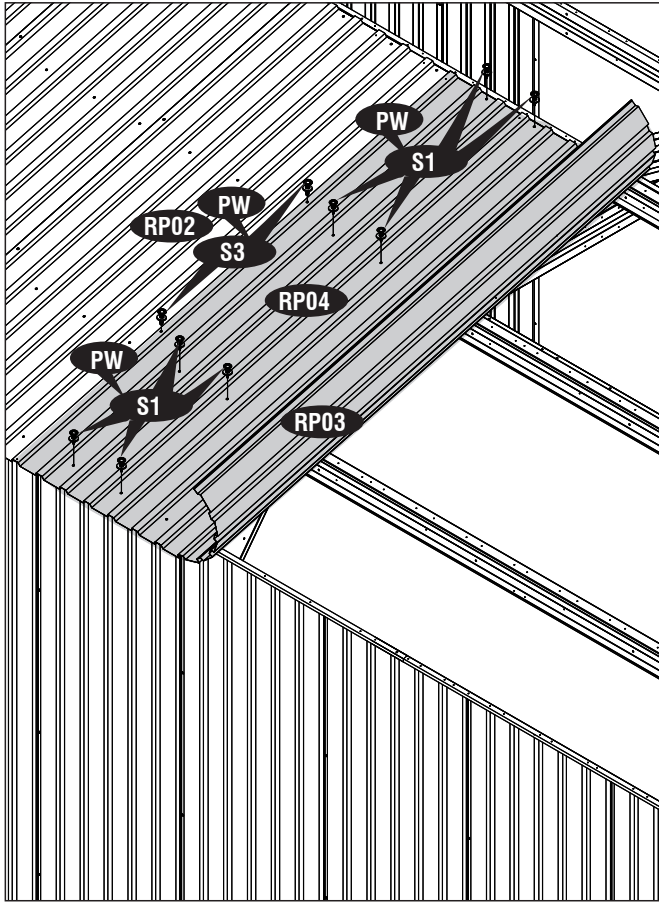
Step -6

Make 2 Sets

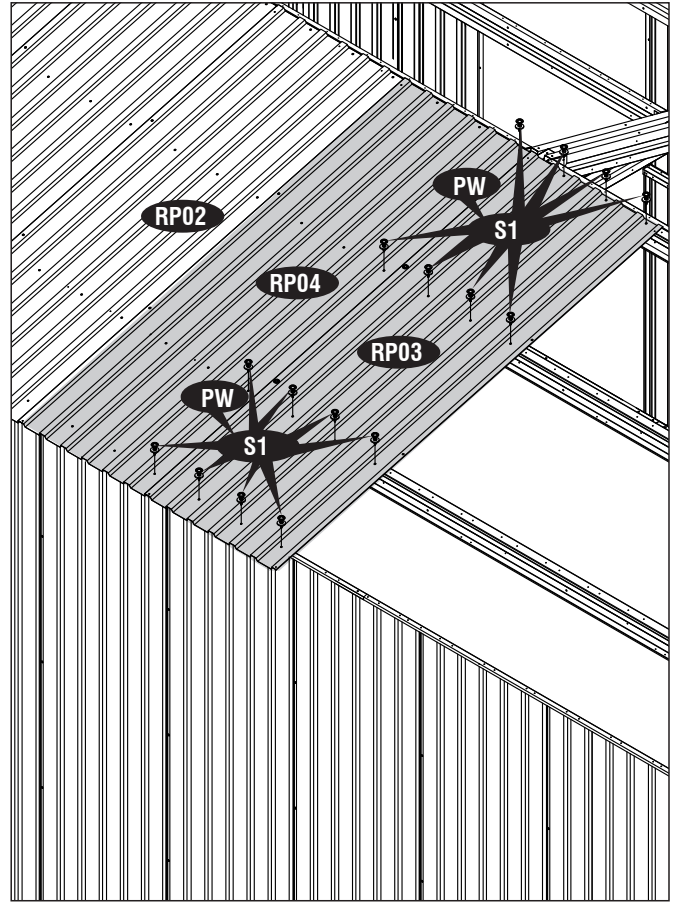


IMPORTANT: USE HAND GLOVES TO PREVENT INJURY.

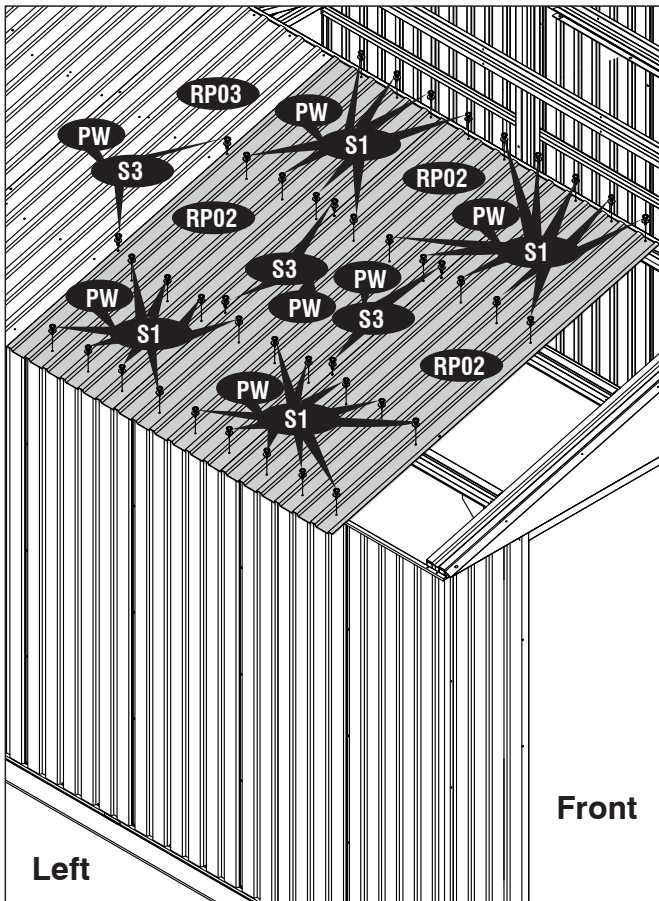
Step -7



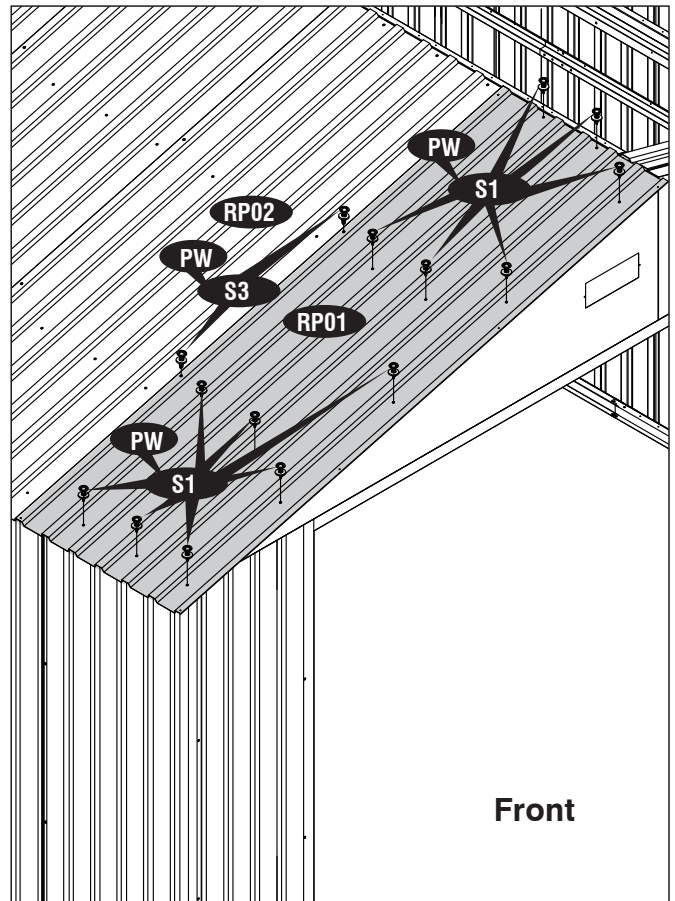
Step -8



Step -9

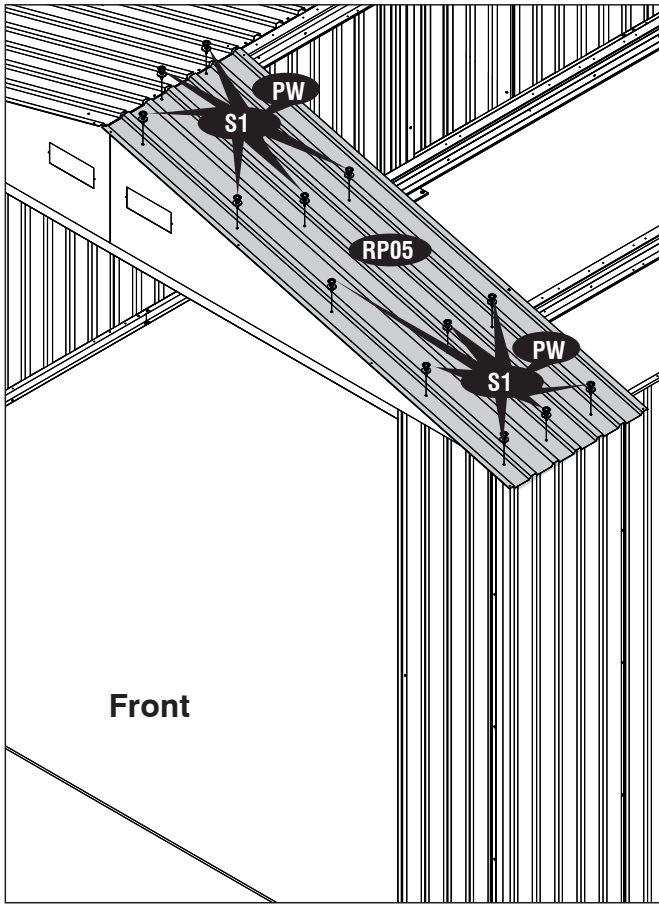


Step -10

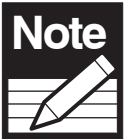
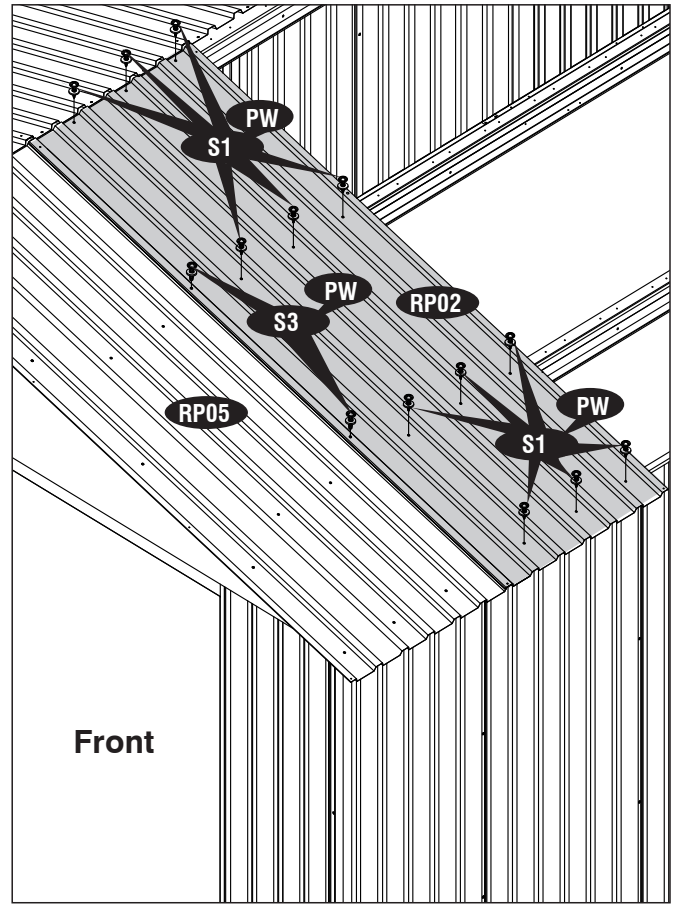


IMPORTANT: USE HAND GLOVES TO PREVENT INJURY.

Step - 11

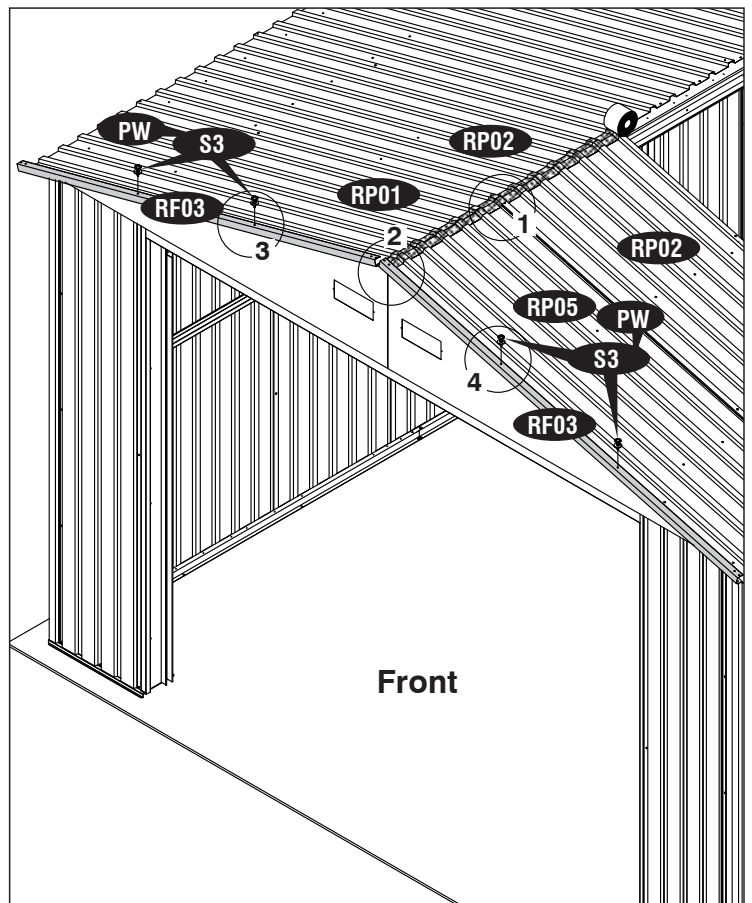
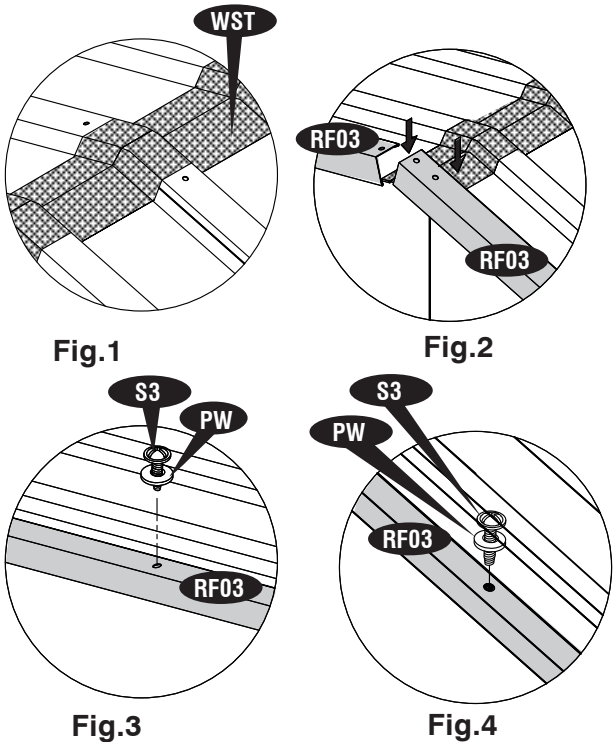


Step - 12



Note Roof Panel installation by using ladder from inside at missing Panels.

Step - 13



Step - 14

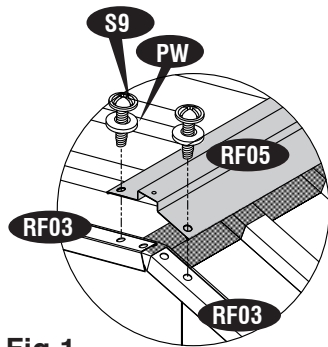


Fig.1

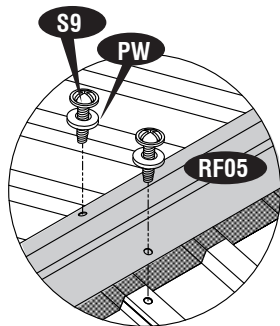
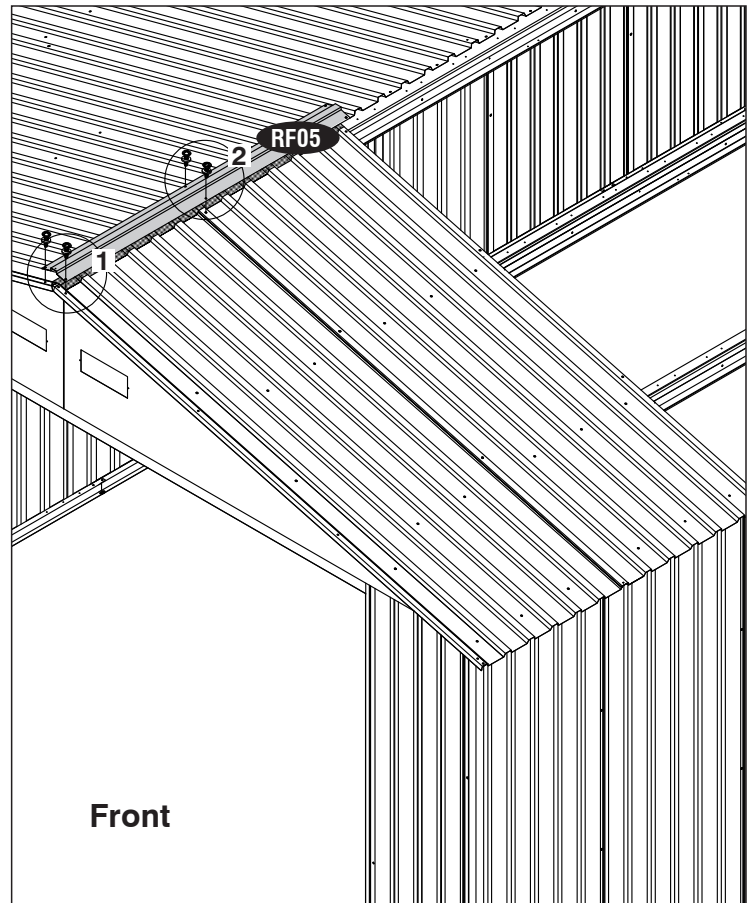
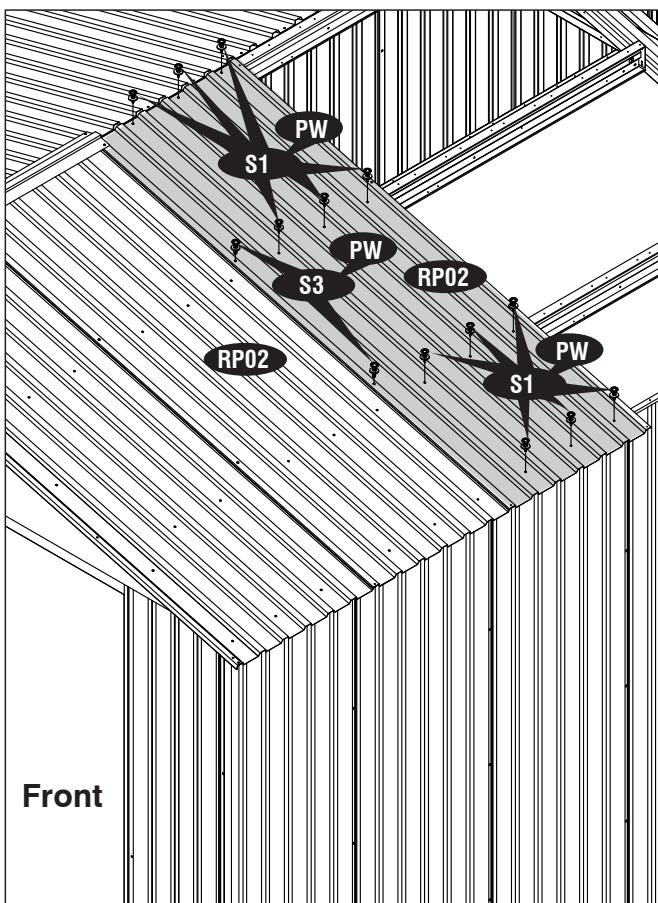


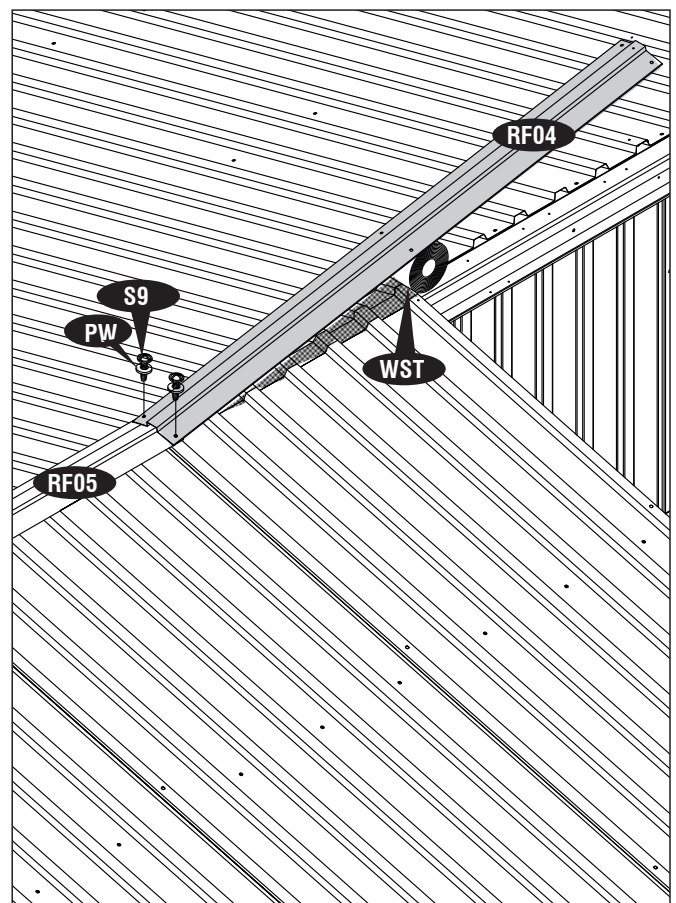
Fig.2



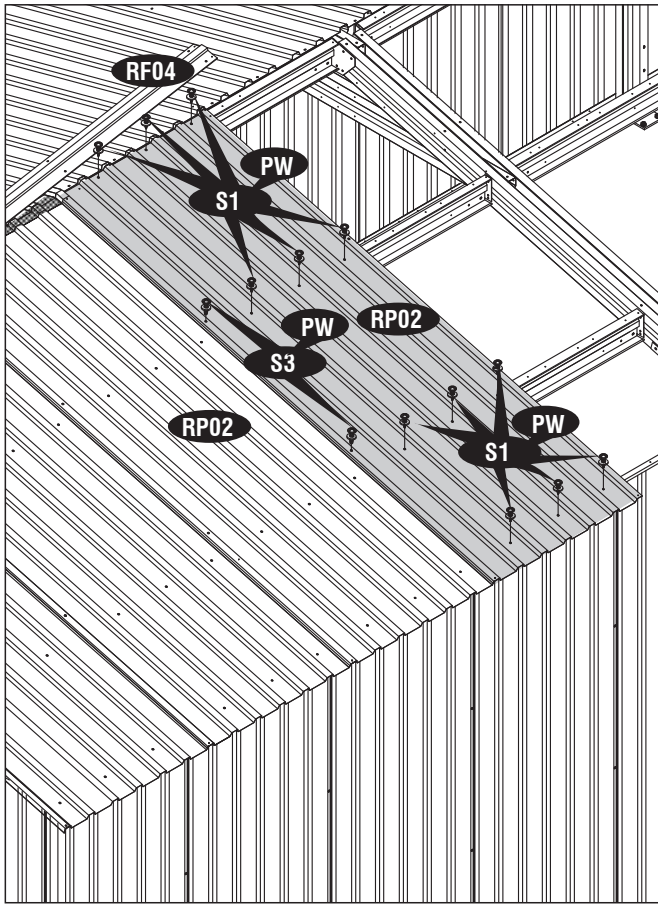
Step - 15



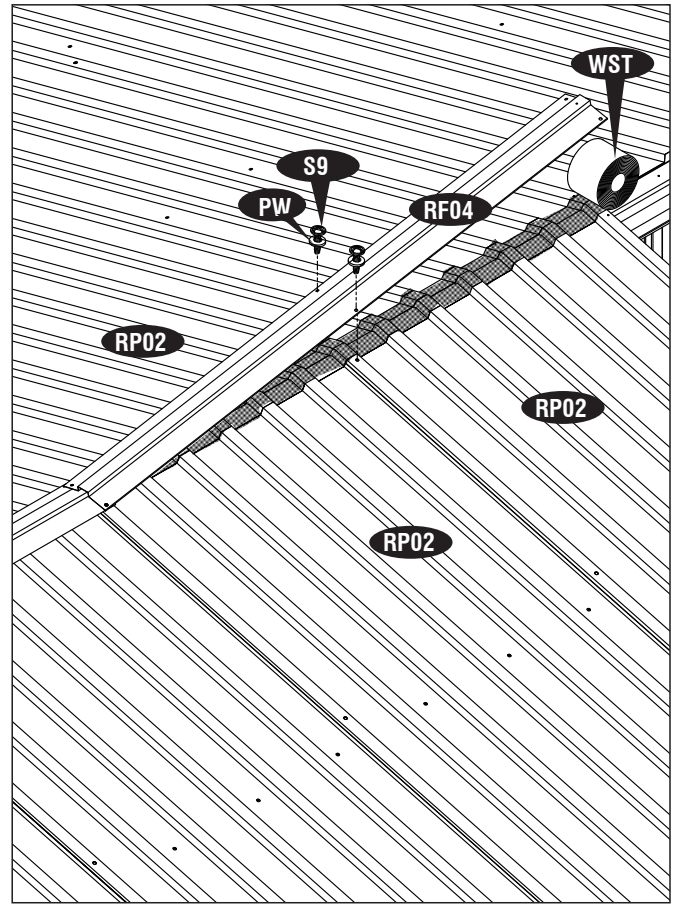
Step - 16



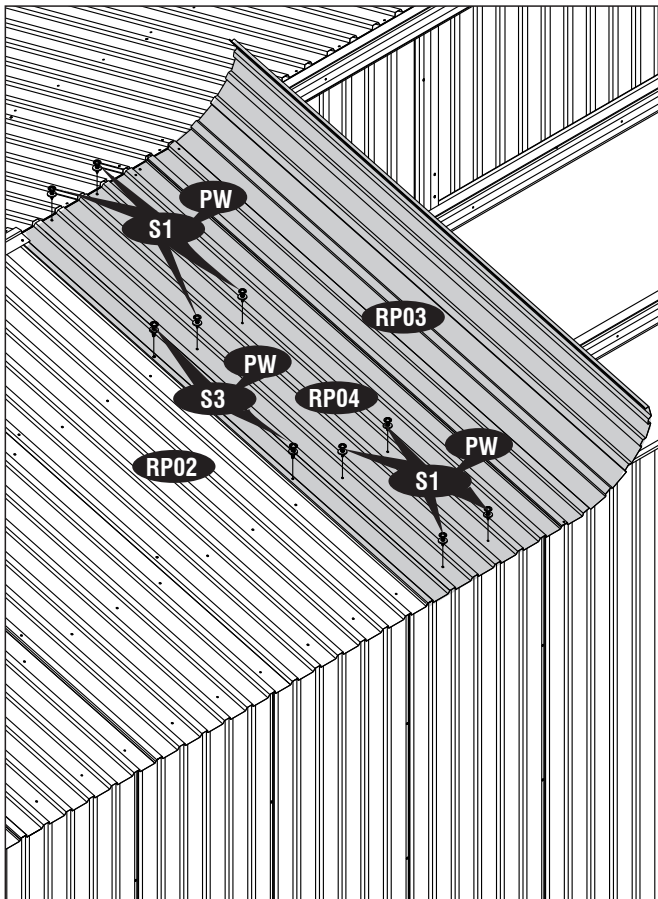
Step - 17



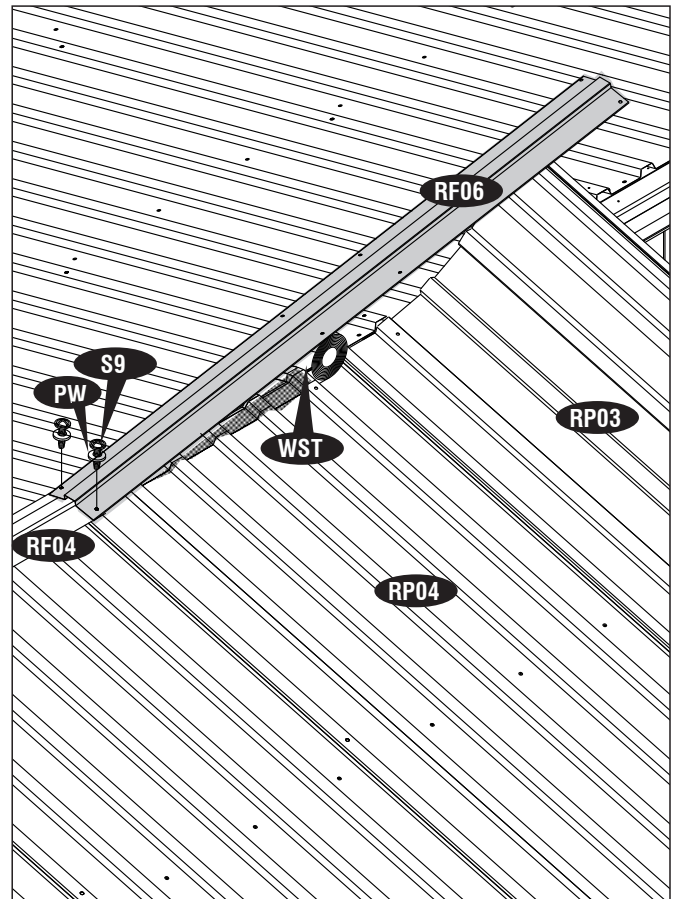
Step - 18



Step - 19

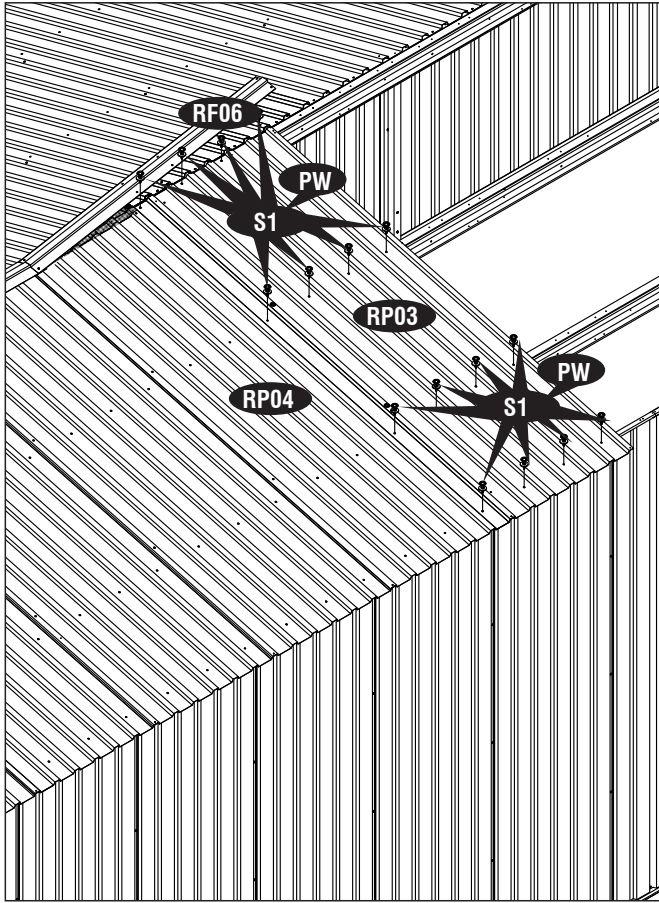


Step - 20

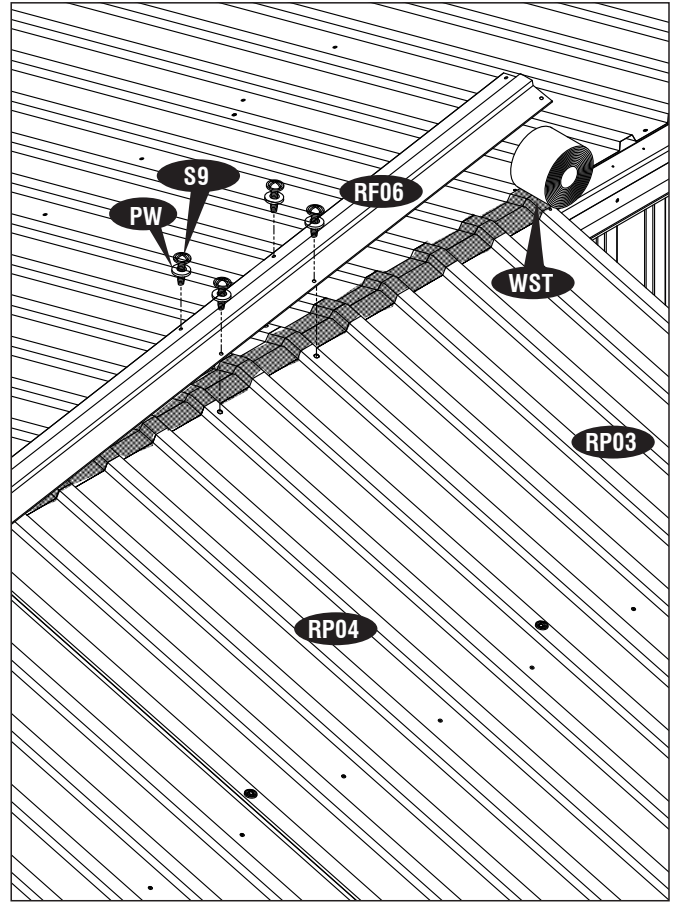


IMPORTANT: USE HAND GLOVES TO PREVENT INJURY.

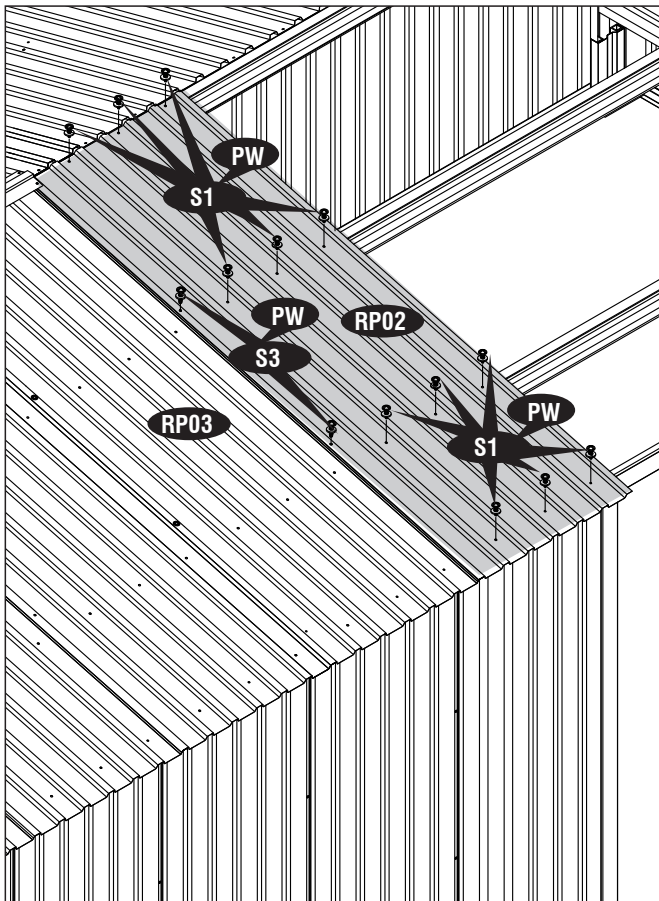
Step - 21



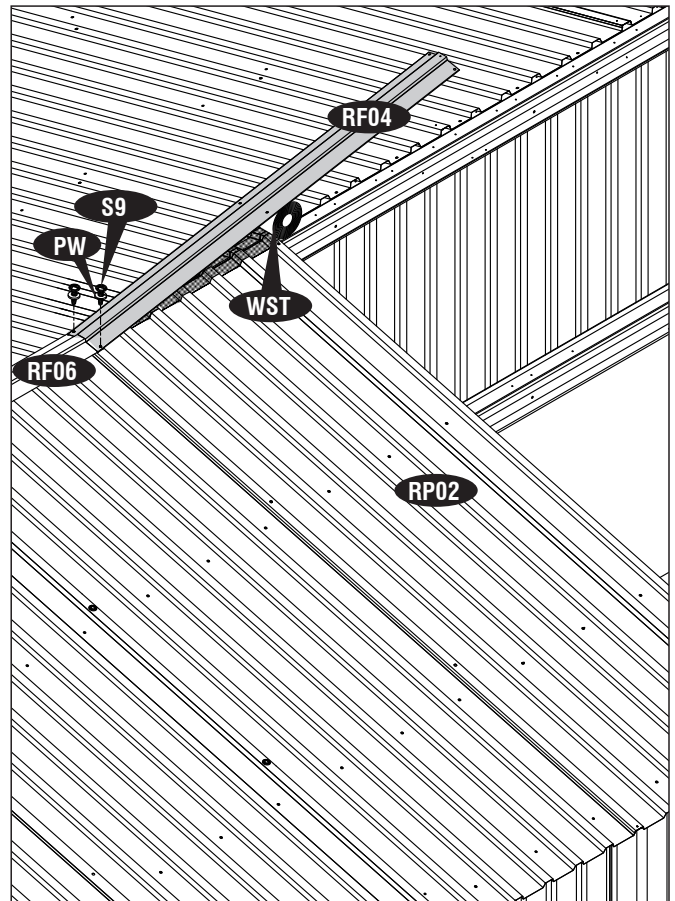
Step - 22



Step - 23

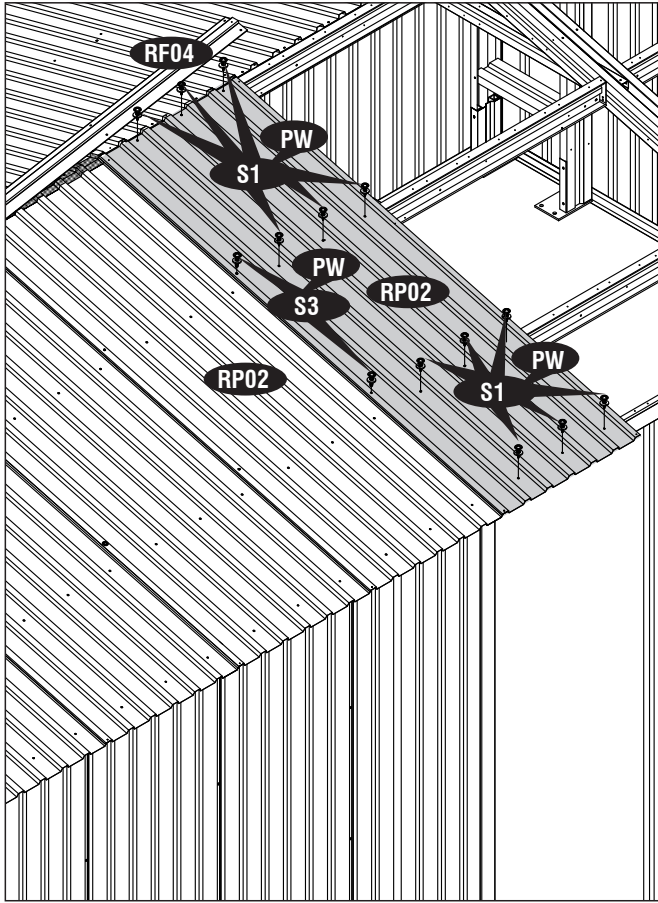


Step - 24

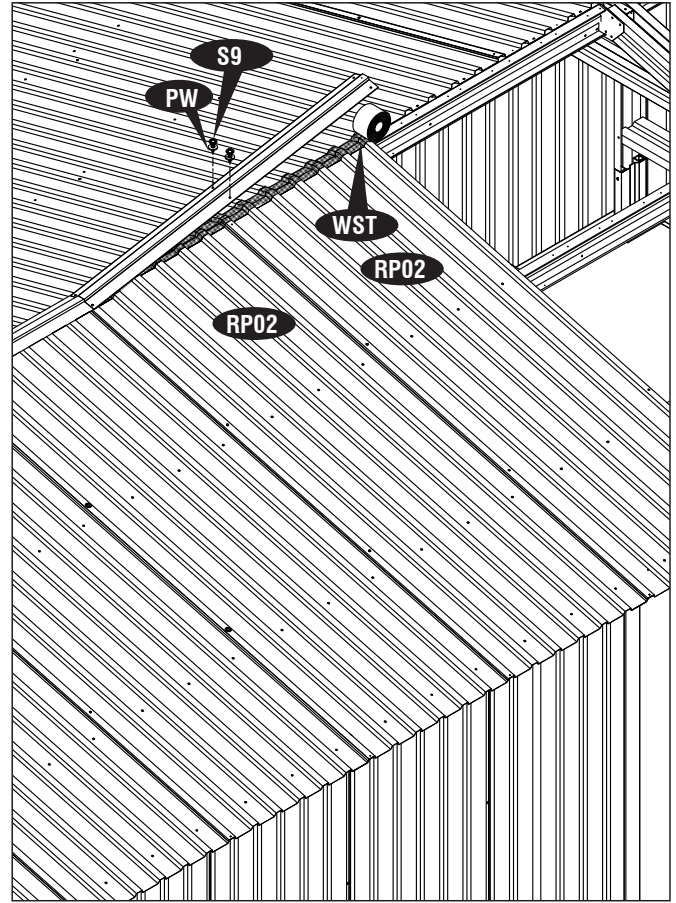


IMPORTANT: USE HAND GLOVES TO PREVENT INJURY.

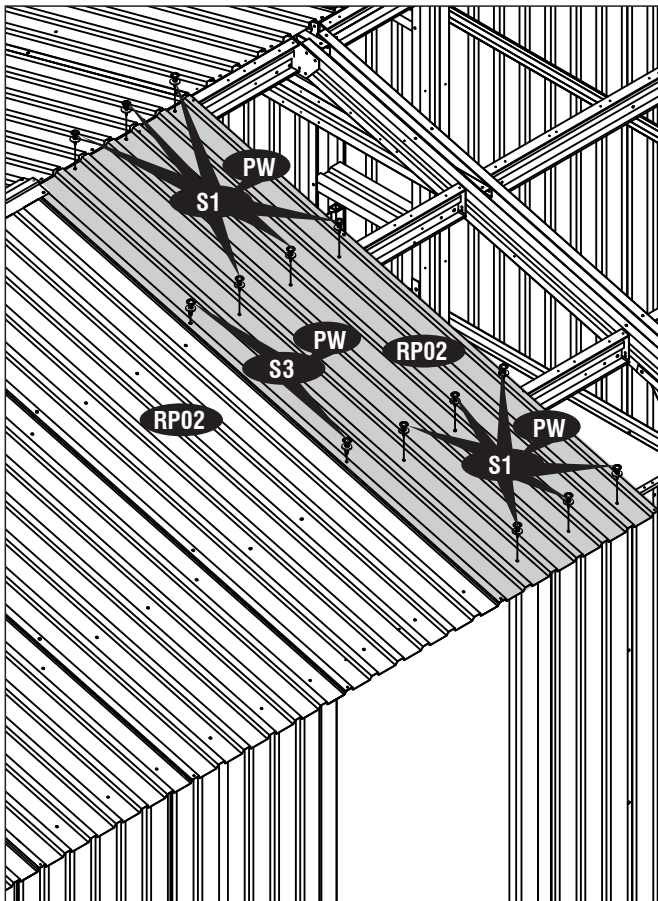
Step - 25



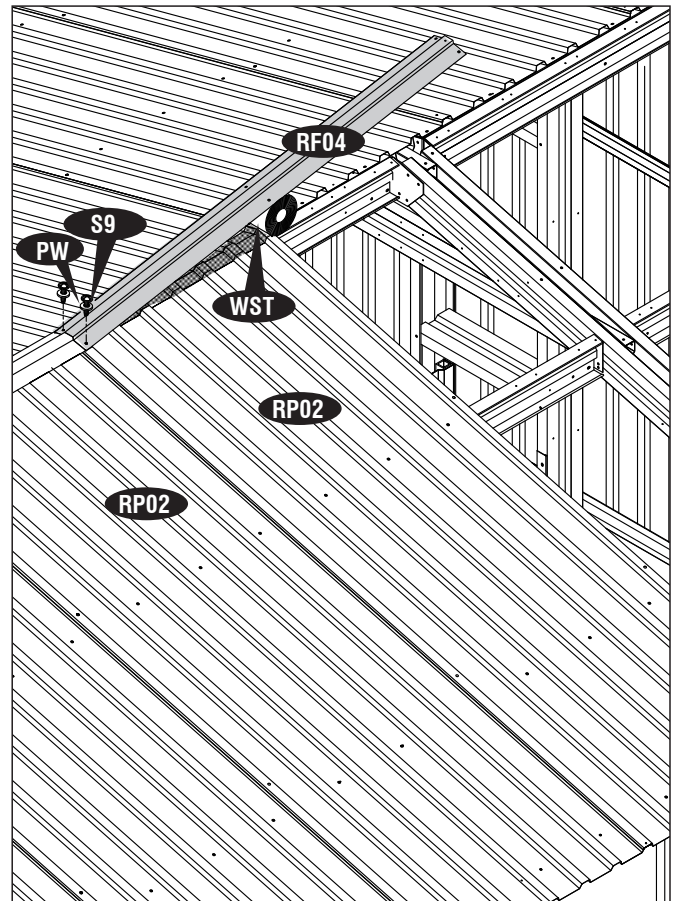
Step - 26



Step - 27

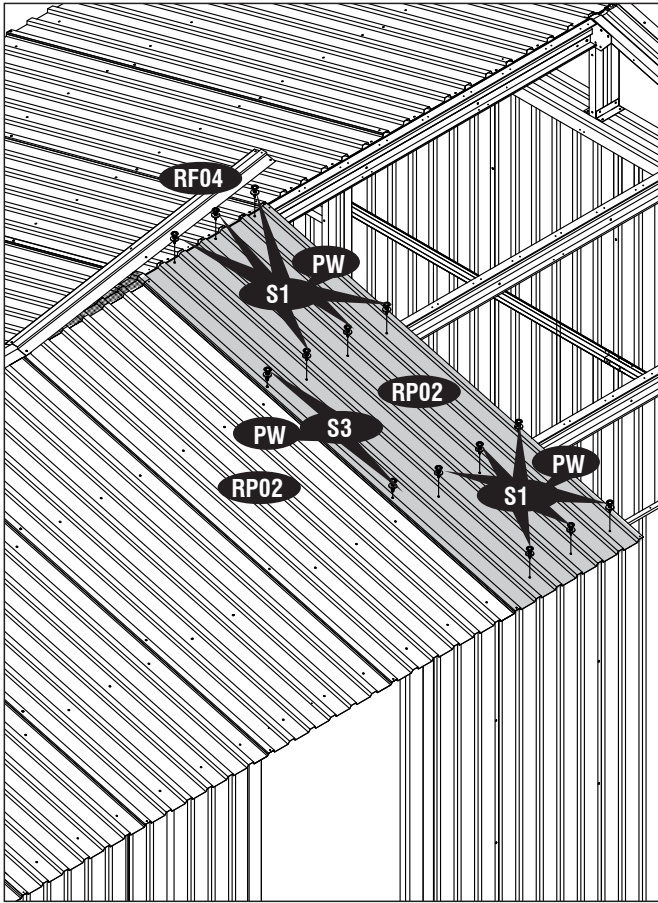


Step - 28

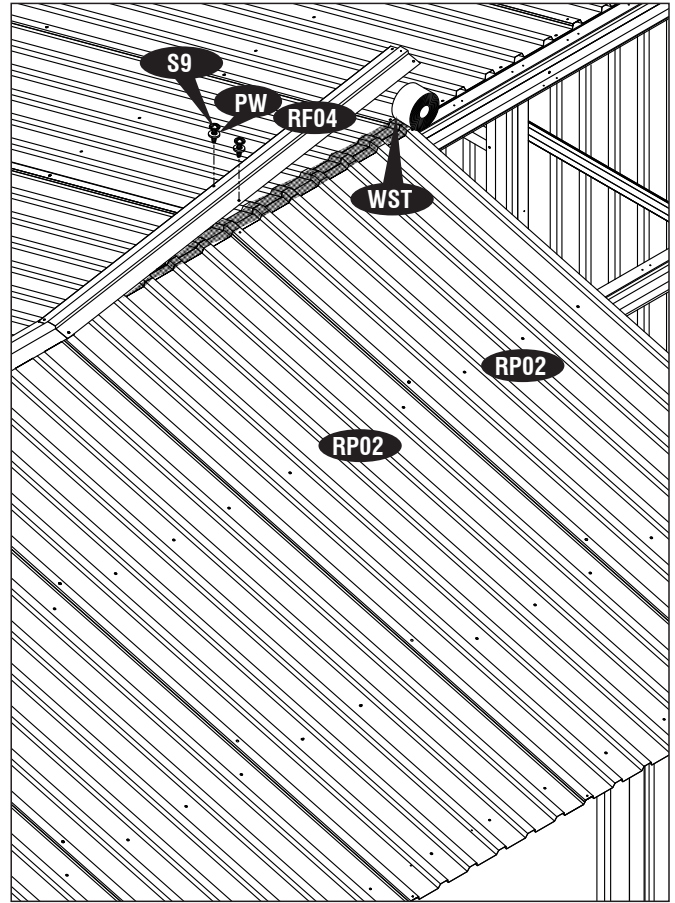


IMPORTANT: USE HAND GLOVES TO PREVENT INJURY.

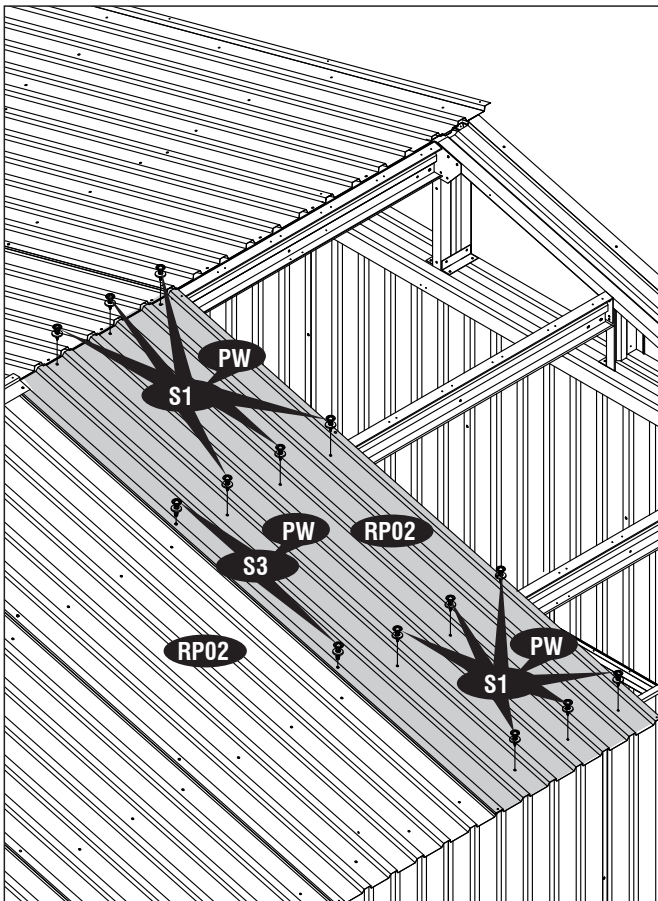
Step - 29



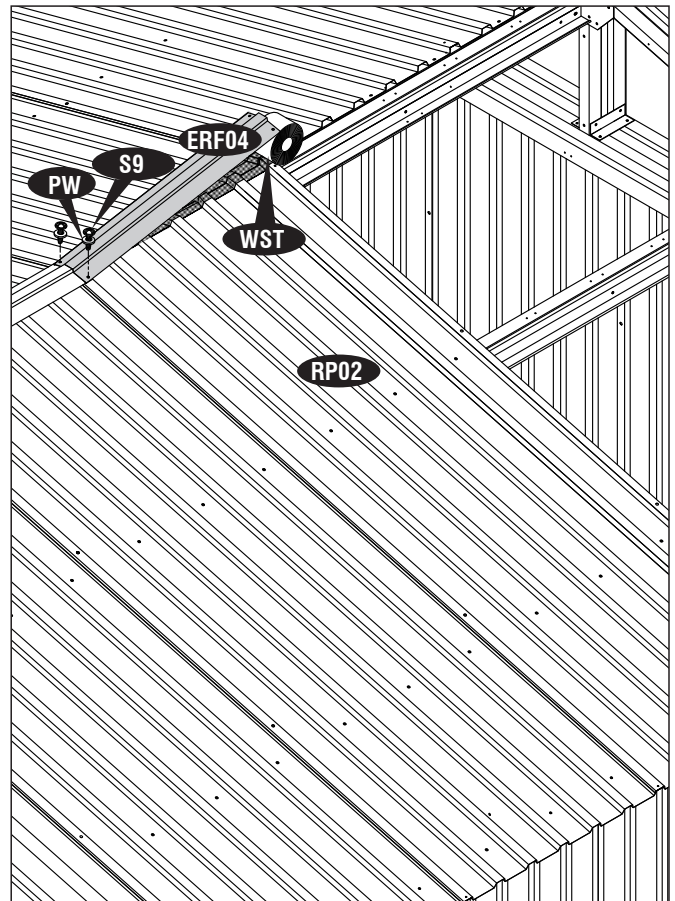
Step - 30



Step - 31

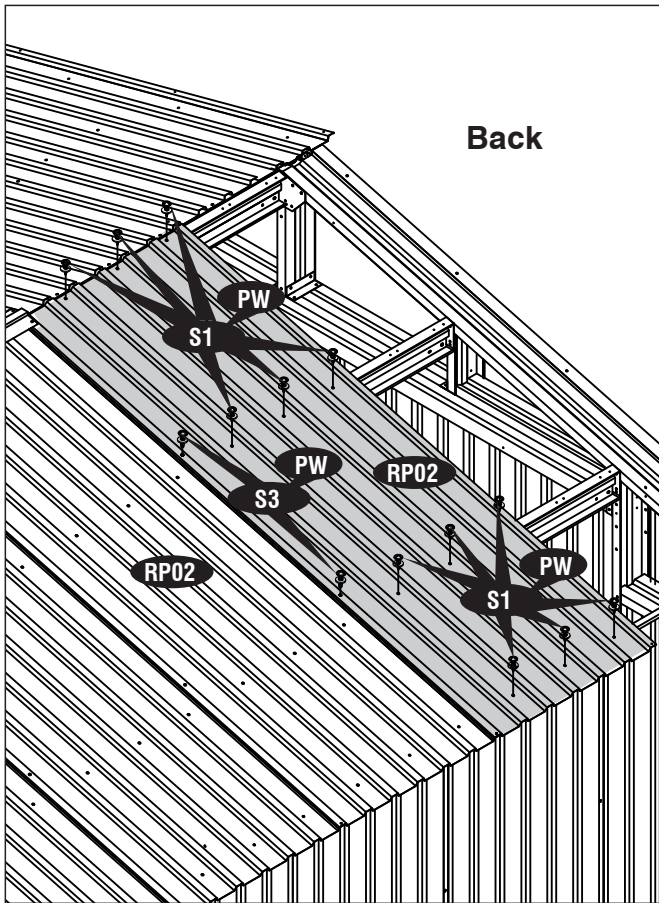


Step - 32

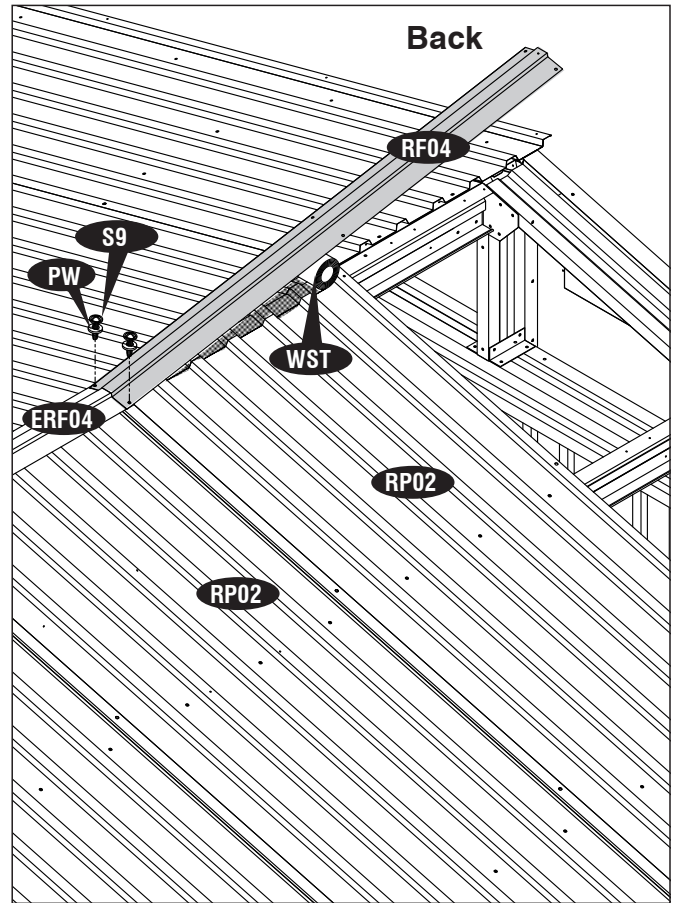


IMPORTANT: USE HAND GLOVES TO PREVENT INJURY.

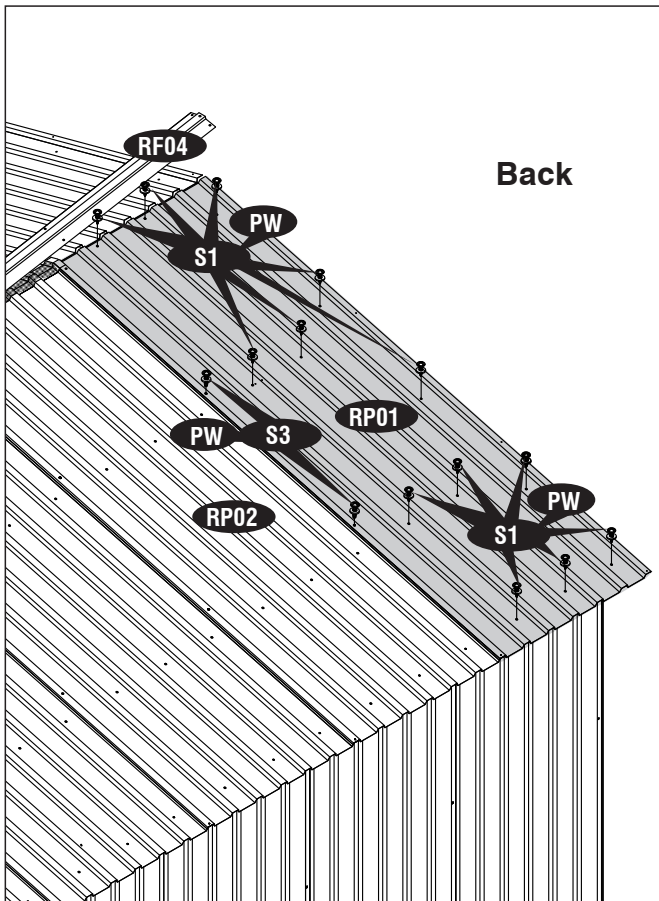
Step - 33



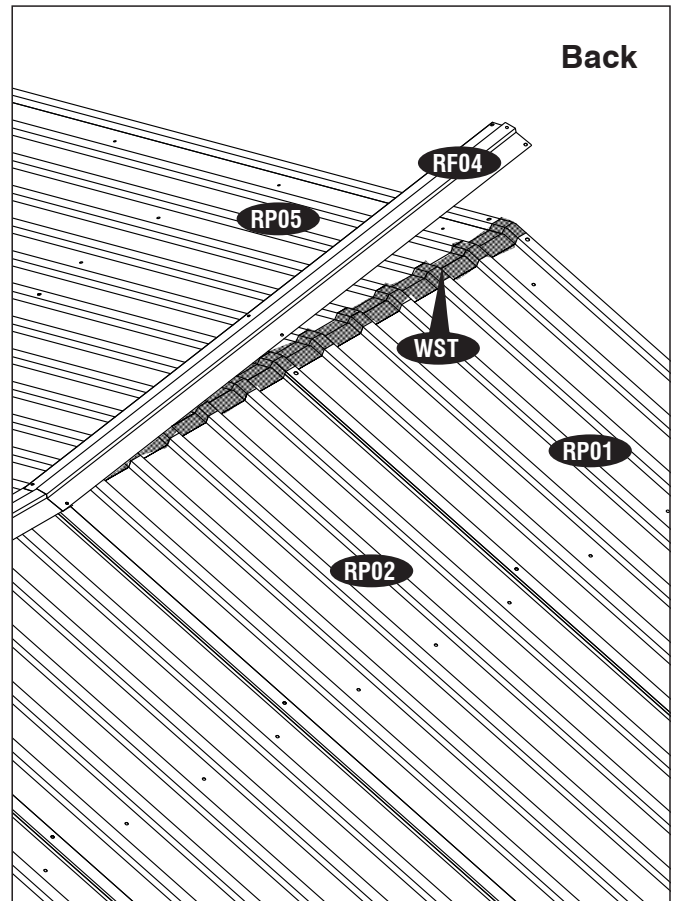
Step - 34



Step - 35

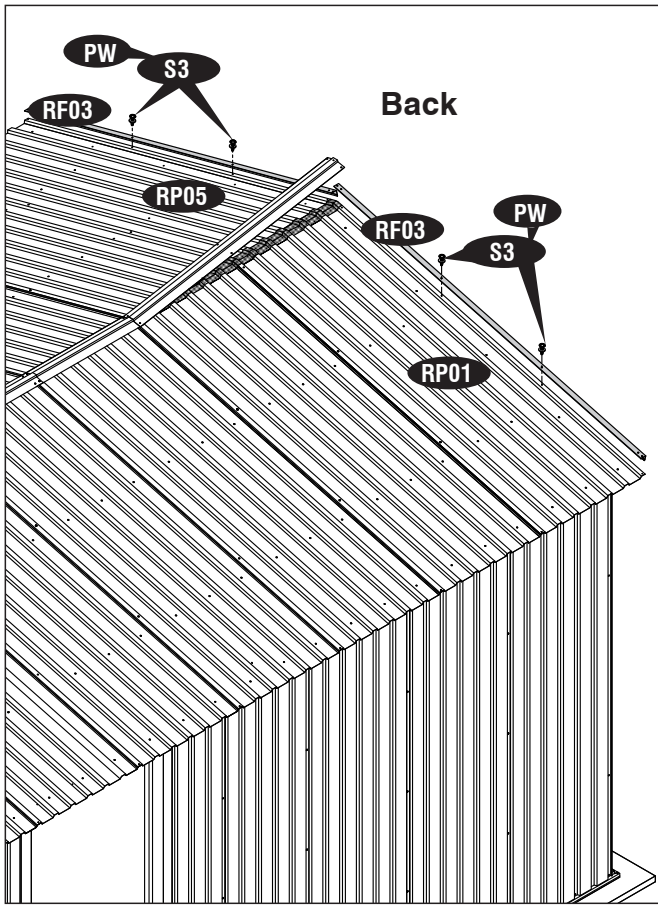


Step - 36

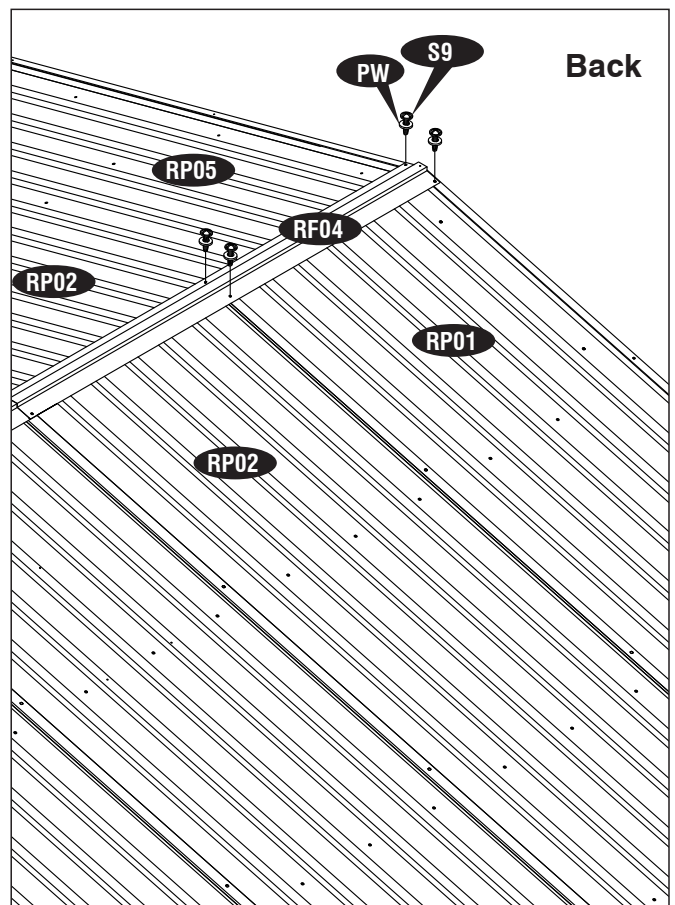


IMPORTANT: USE HAND GLOVES TO PREVENT INJURY.

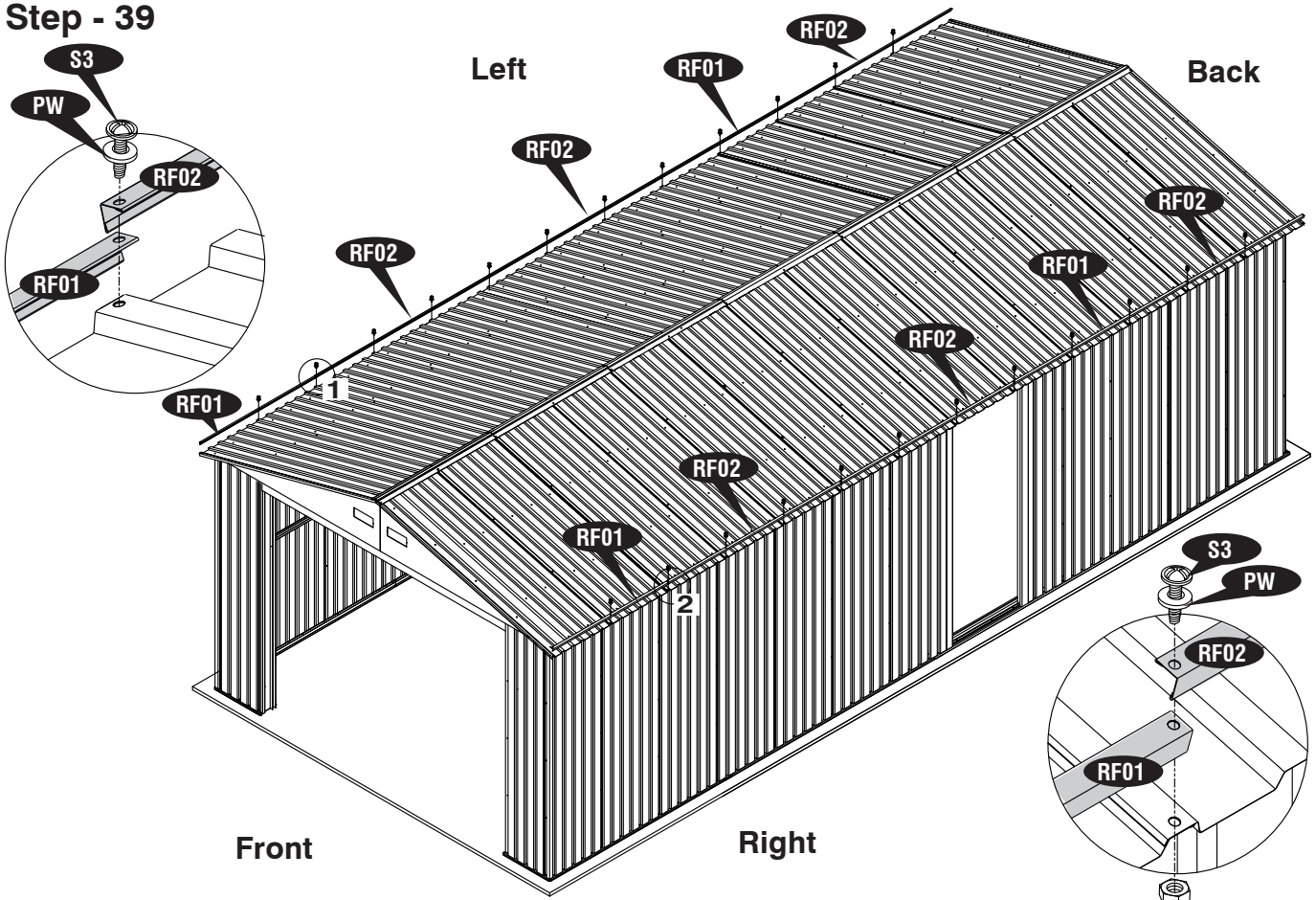
Step - 37



Step - 38



Step - 39



IMPORTANT: USE HAND GLOVES TO PREVENT INJURY.

Step - 40

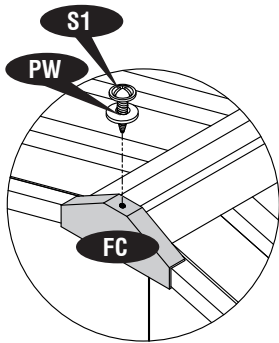


Fig.1

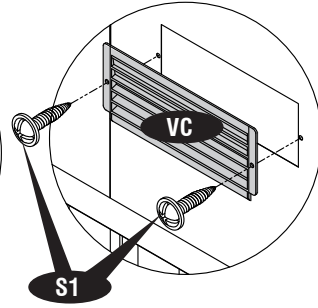


Fig.2

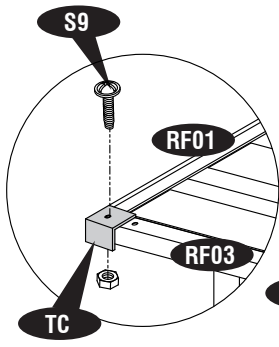


Fig.3

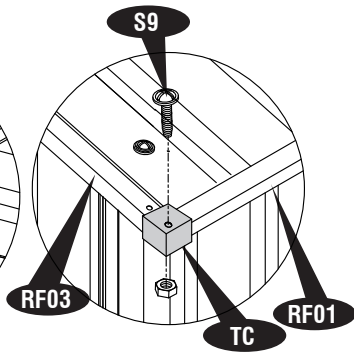
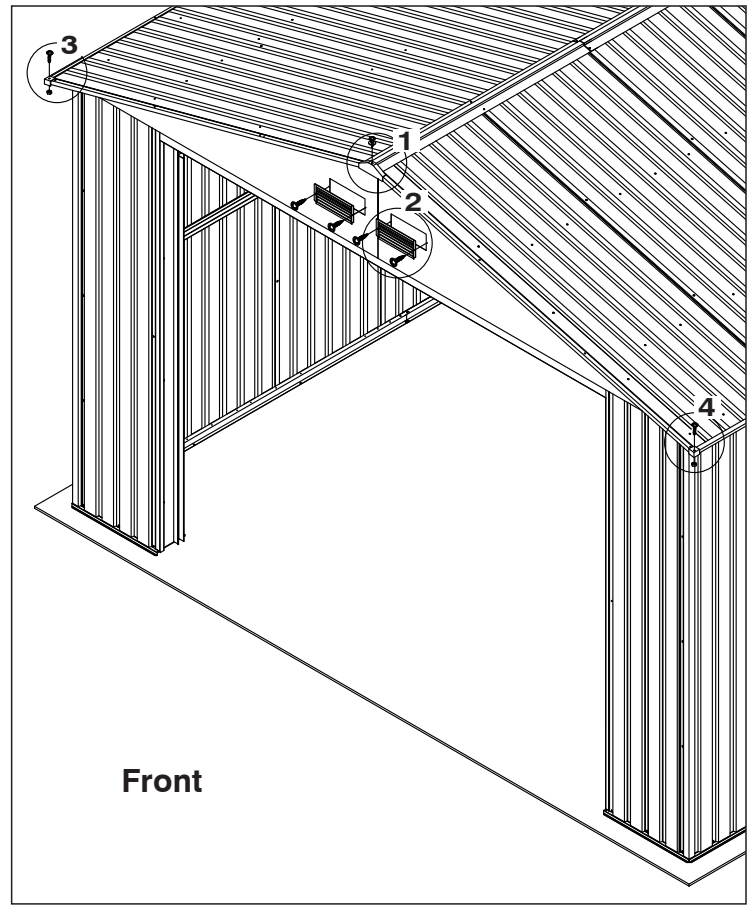


Fig.4



Front

Step - 41

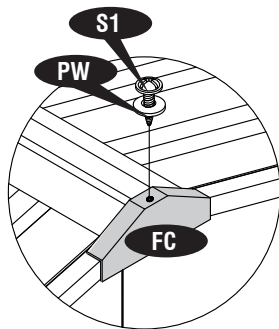


Fig.1

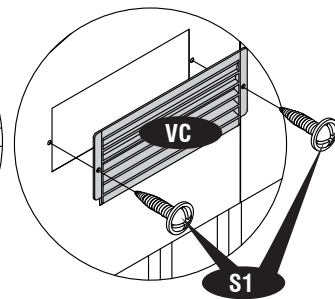


Fig.2

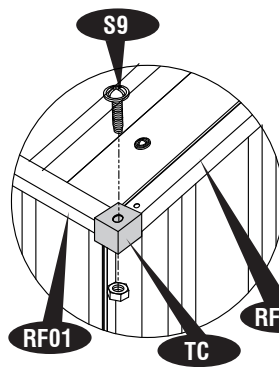


Fig.3

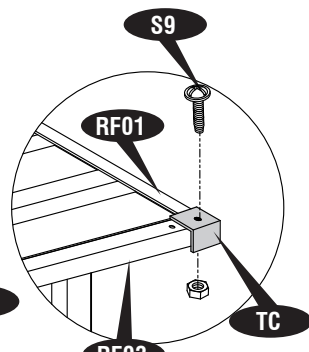
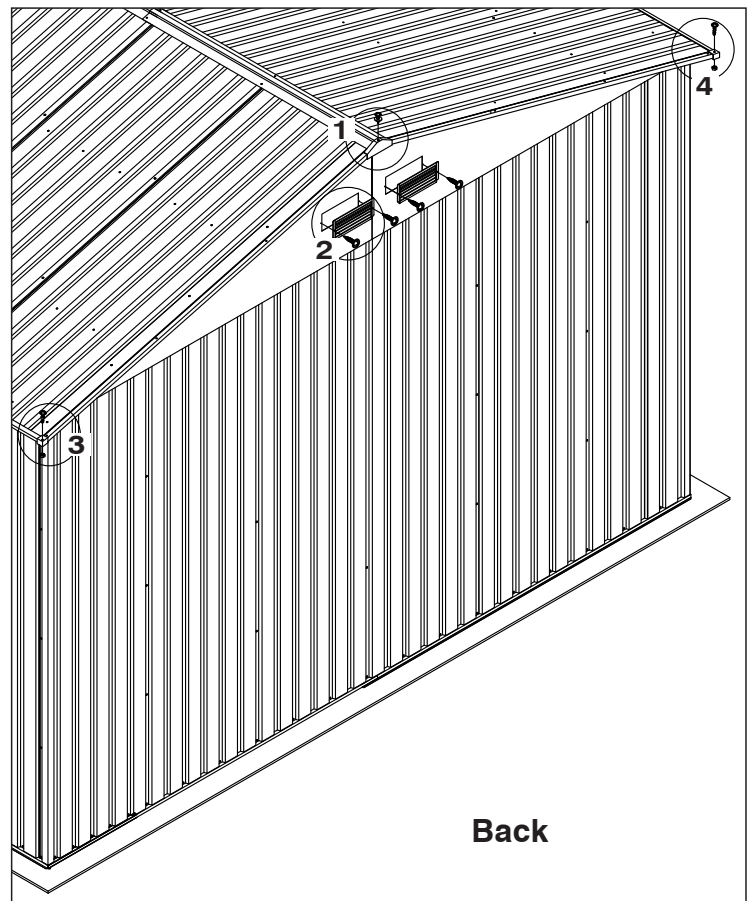


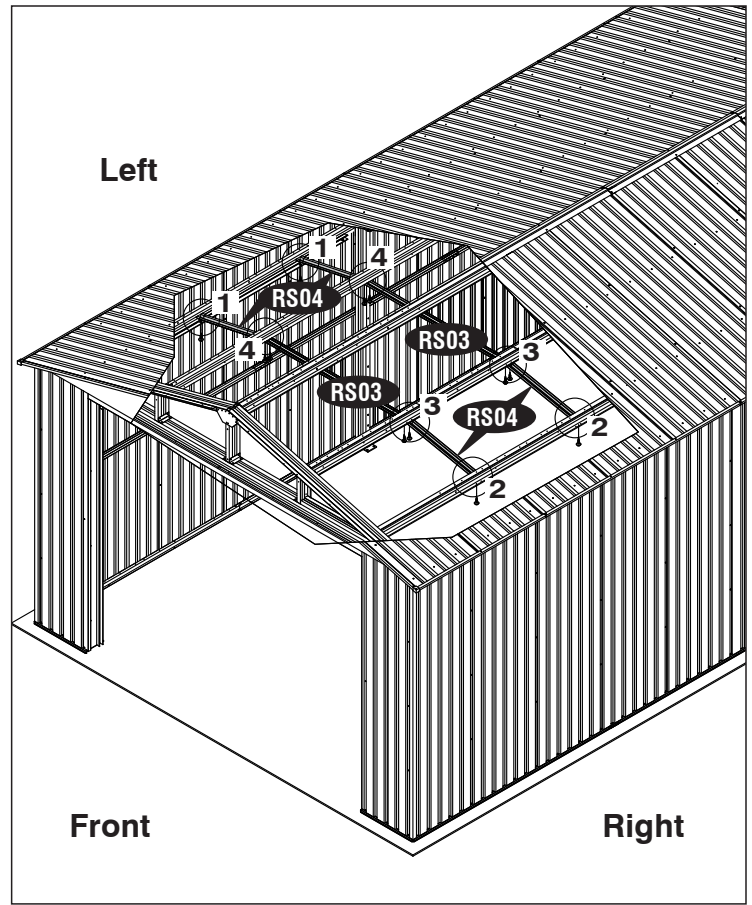
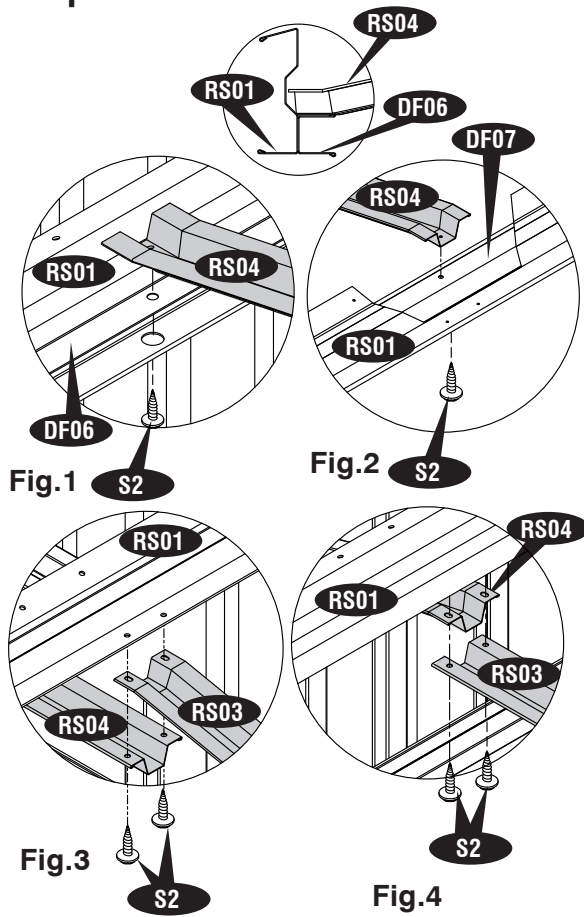
Fig.4



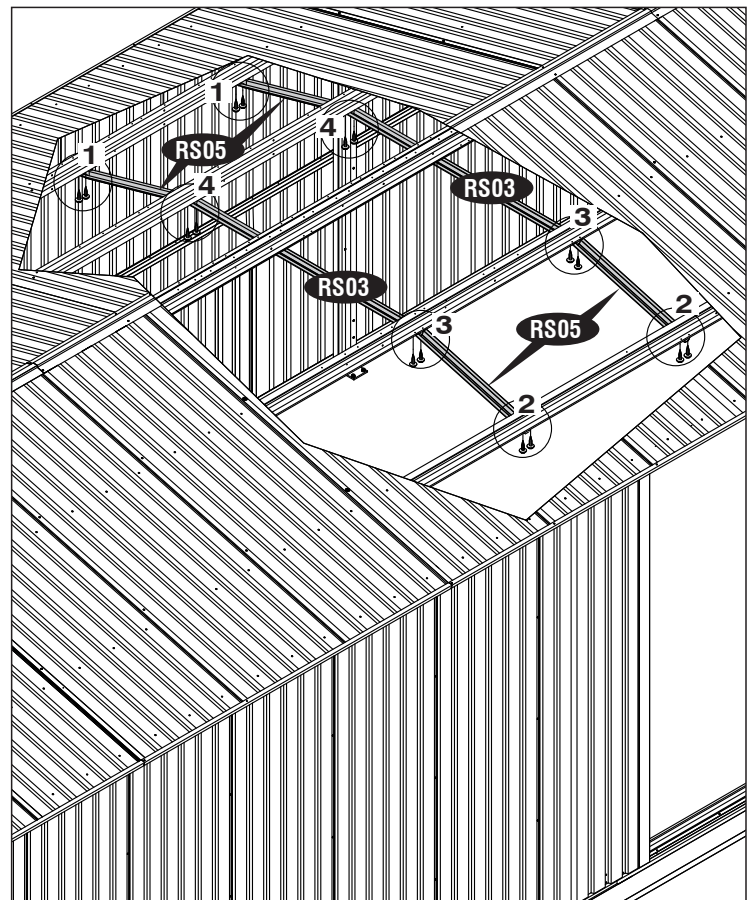
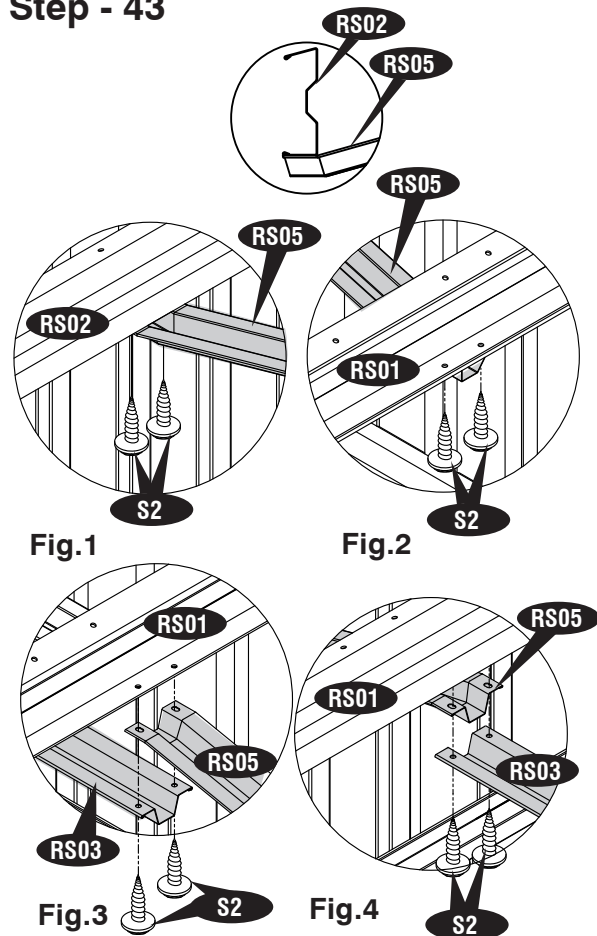
Back

IMPORTANT: USE HAND GLOVES TO PREVENT INJURY.

Step - 42

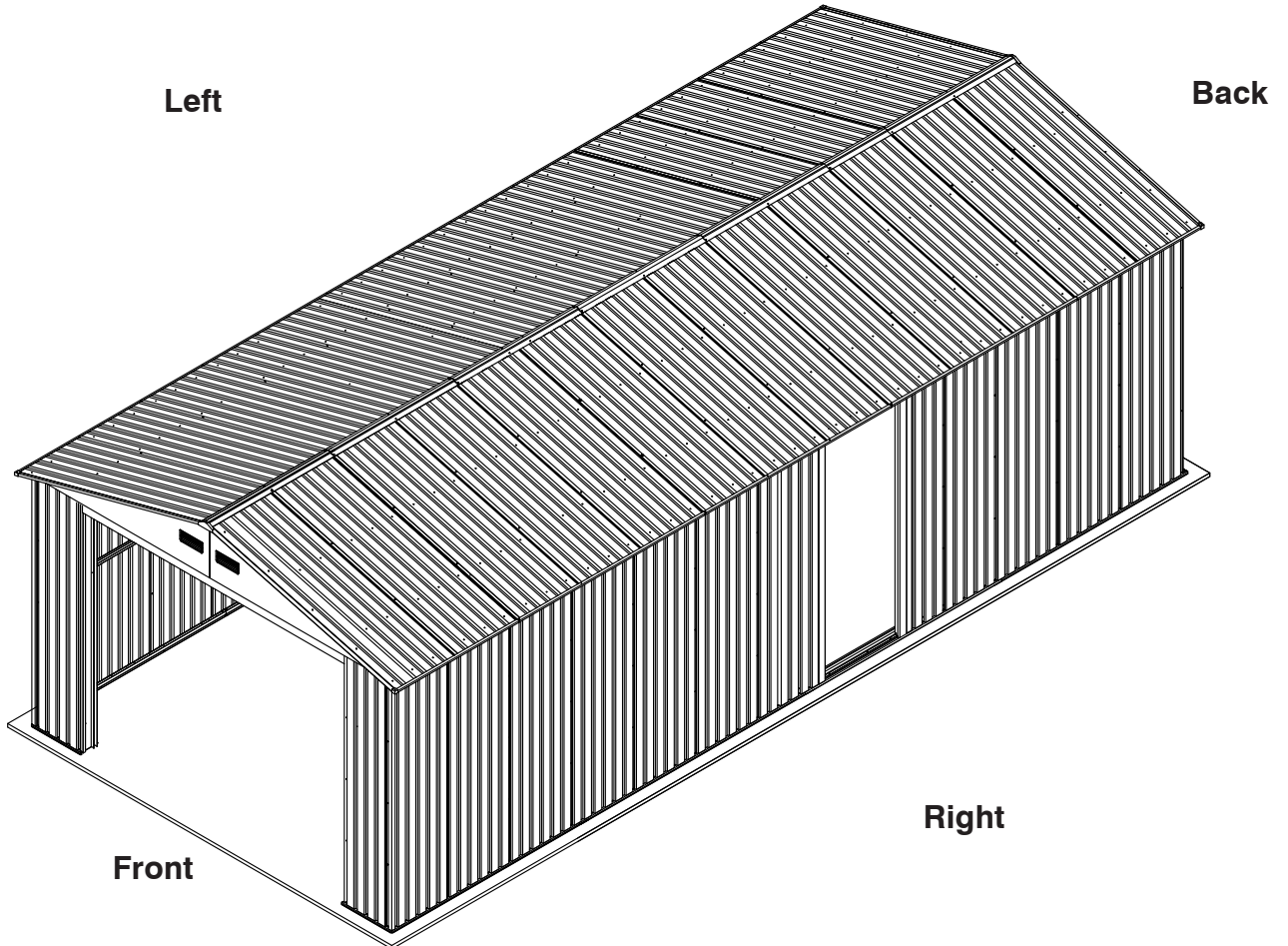
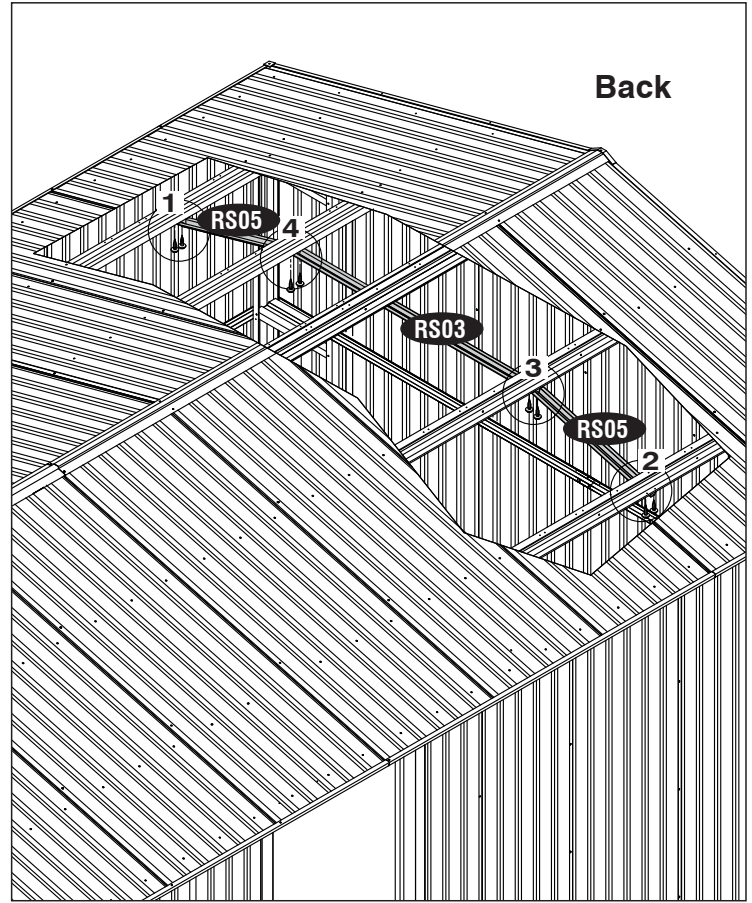
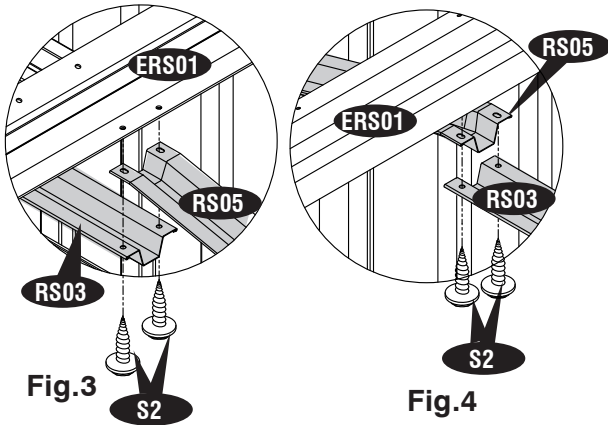
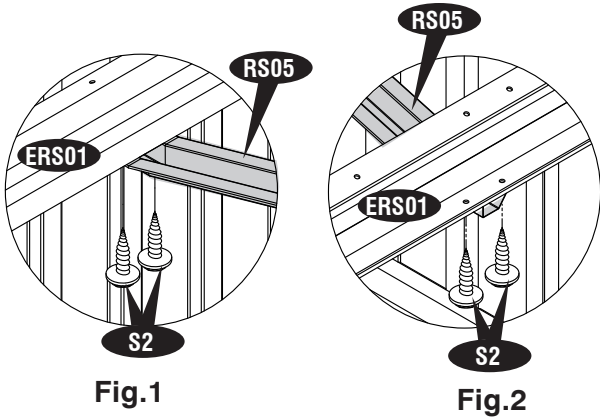


Step - 43



IMPORTANT: USE HAND GLOVES TO PREVENT INJURY.

Step - 44



IMPORTANT: USE HAND GLOVES TO PREVENT INJURY.

G. Assembly and Installations of Front & Side Door

Parts Needed:

Code	Qty	Code	Qty
SP01	2	BS	3
SP02	1	TS	2
SP03	1	DH	3
DS01	1	FDH	2
DS02	1	CW	1
DS03	3	CU	2
DP01	1	STC	5.1mtr
SD06	3	S1	14
BS15	2	S2	4
BS16	2	S3	53
BS17	1	S9	6
DF08	1	PW	50
DF09	1	PC	7 Slabs
DF10	1		

Step - 1

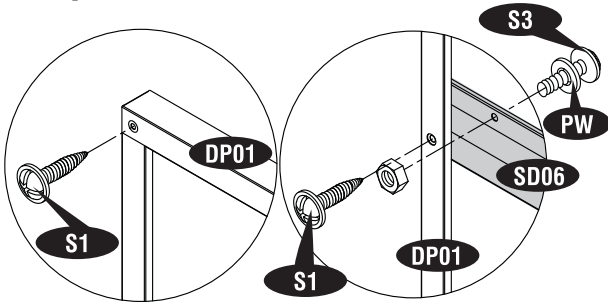
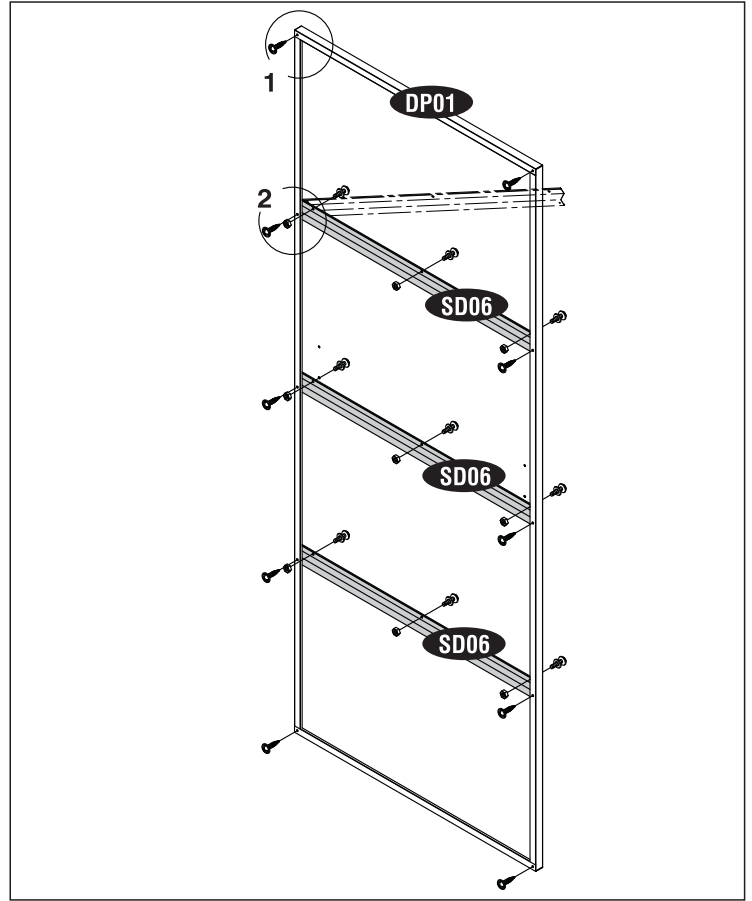


Fig.1

Fig.2



Step - 2

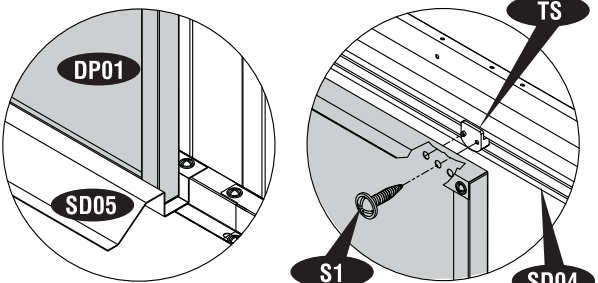
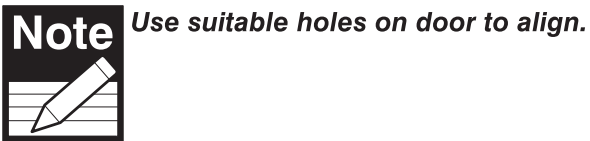


Fig.1

Fig.2

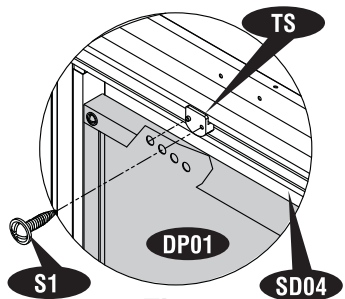
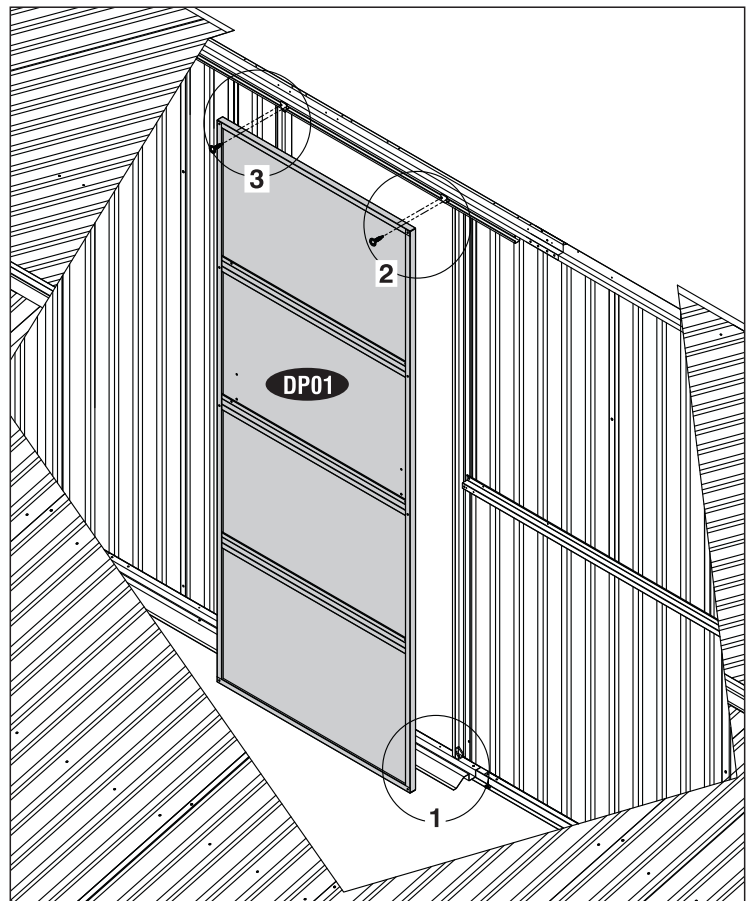


Fig.3



Step - 3

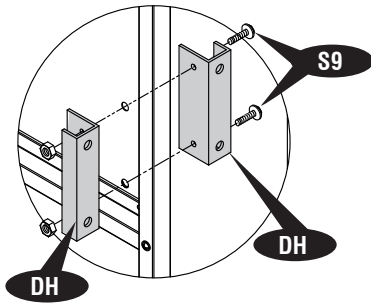


Fig.1

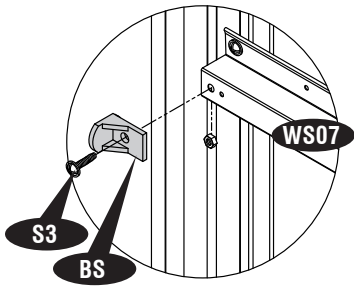
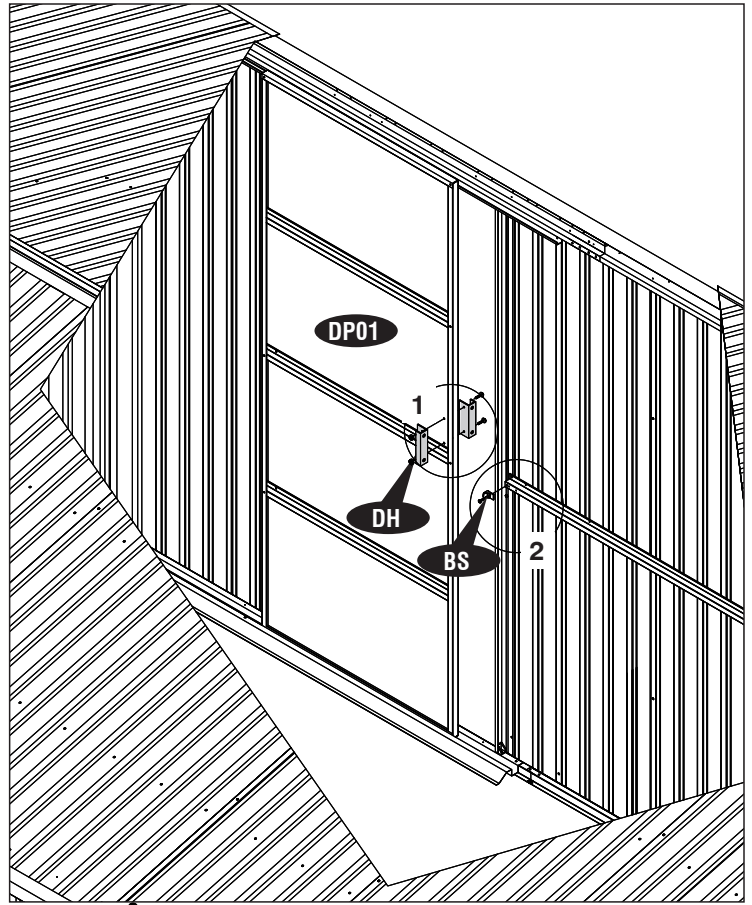


Fig.2



Step - 4

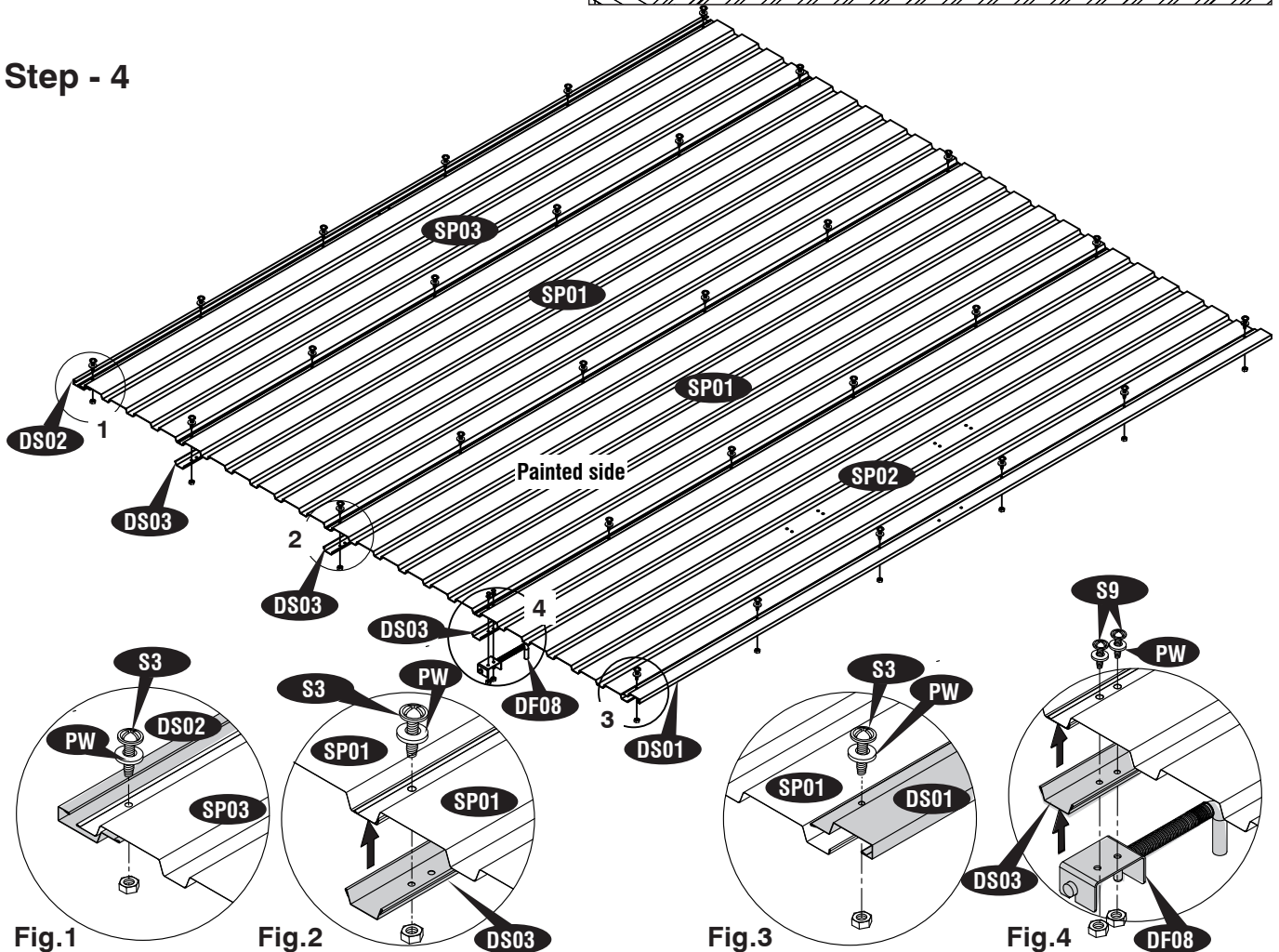


Fig.1

Fig.2

Fig.3

Fig.4

IMPORTANT: USE HAND GLOVES TO PREVENT INJURY.

Step - 5

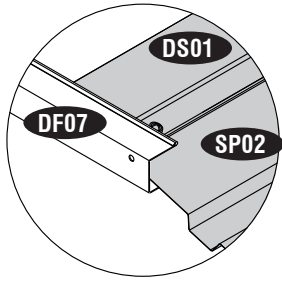


Fig.1

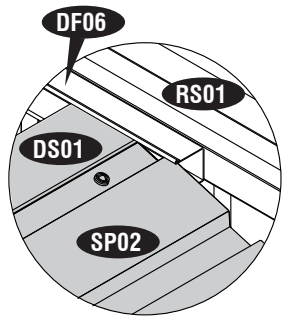
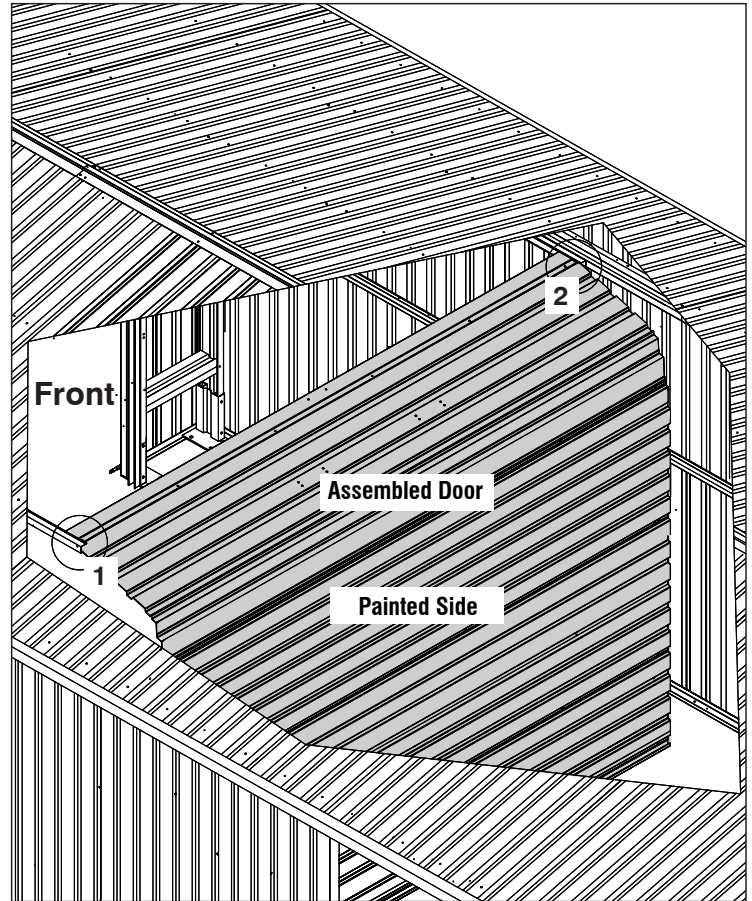


Fig.2



Step - 6

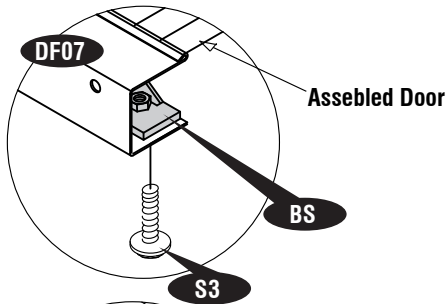


Fig.1

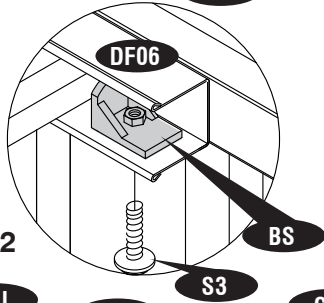


Fig.2

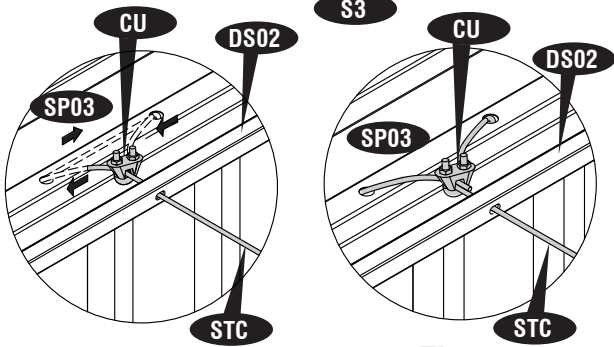
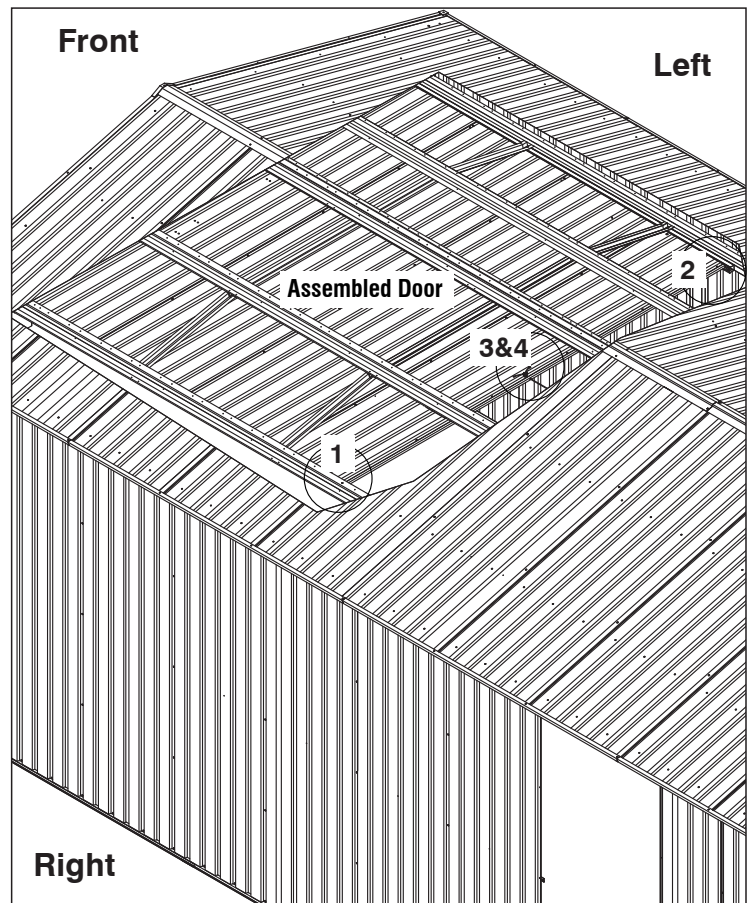


Fig.3

Fig.4



IMPORTANT: USE HAND GLOVES TO PREVENT INJURY.

Step - 7

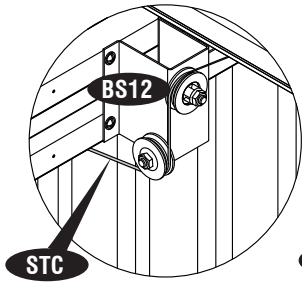


Fig.1

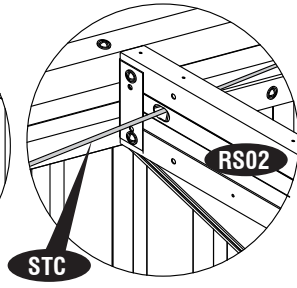


Fig.2

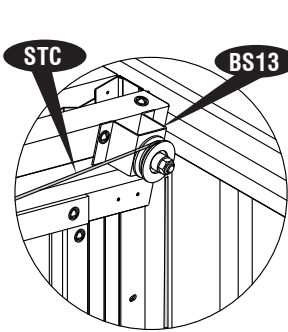


Fig.3

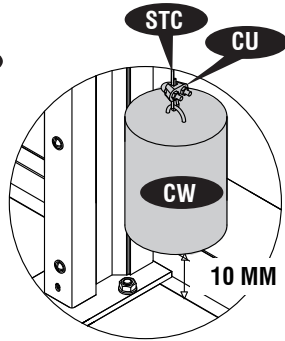
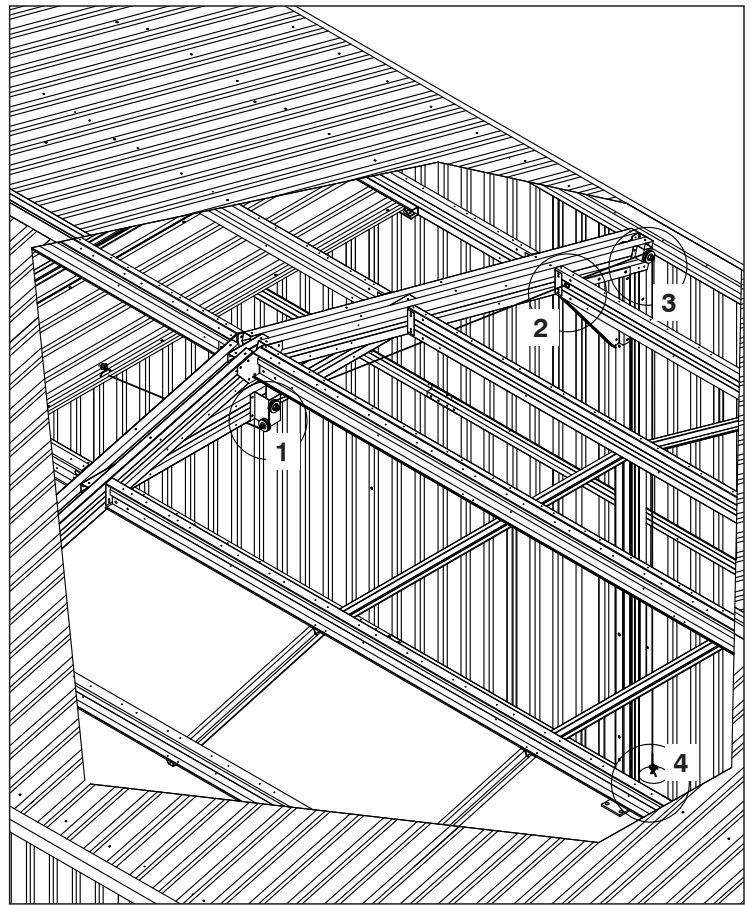


Fig.4



Step - 8

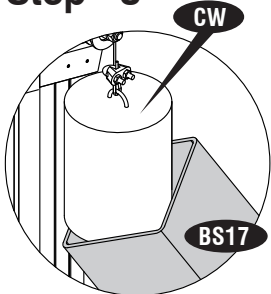


Fig.1

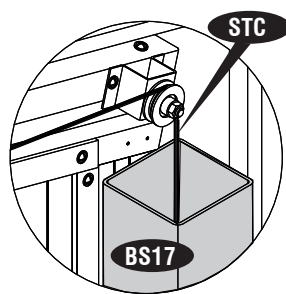


Fig.2

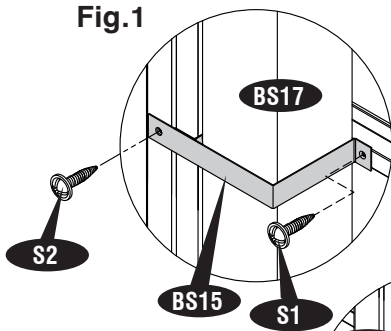


Fig.3

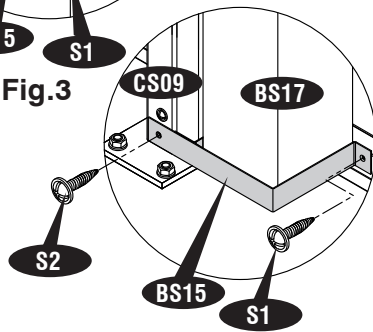
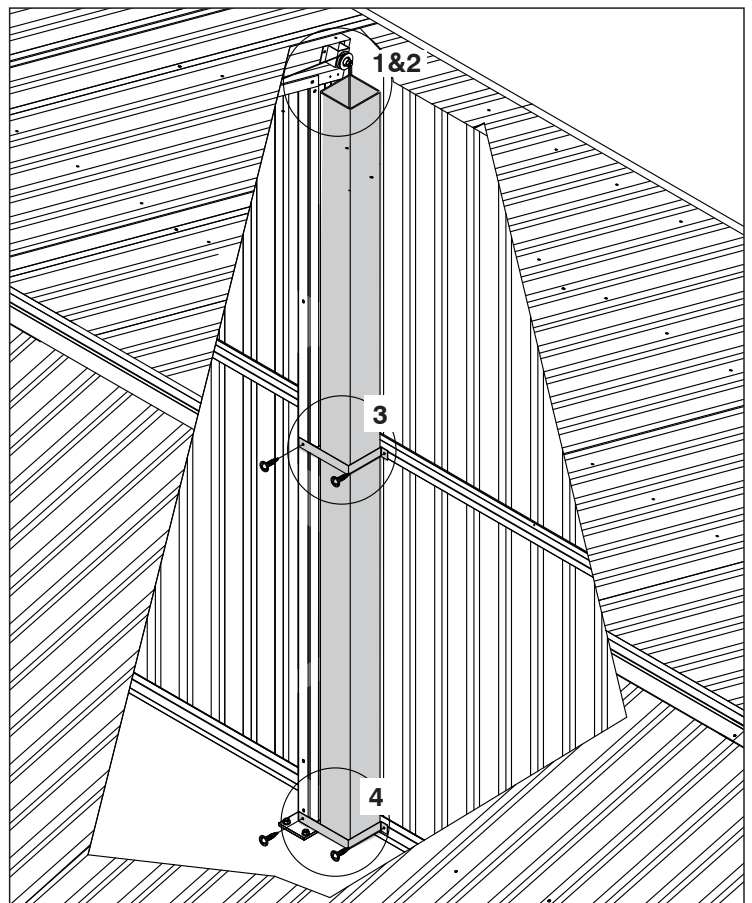


Fig.4



Step - 9

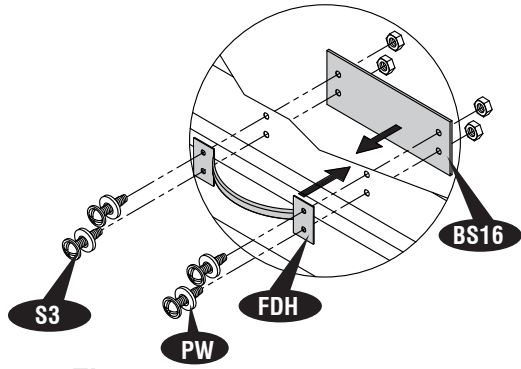


Fig.1

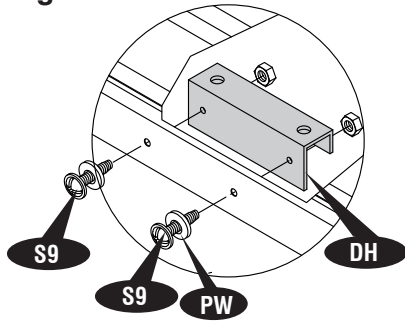
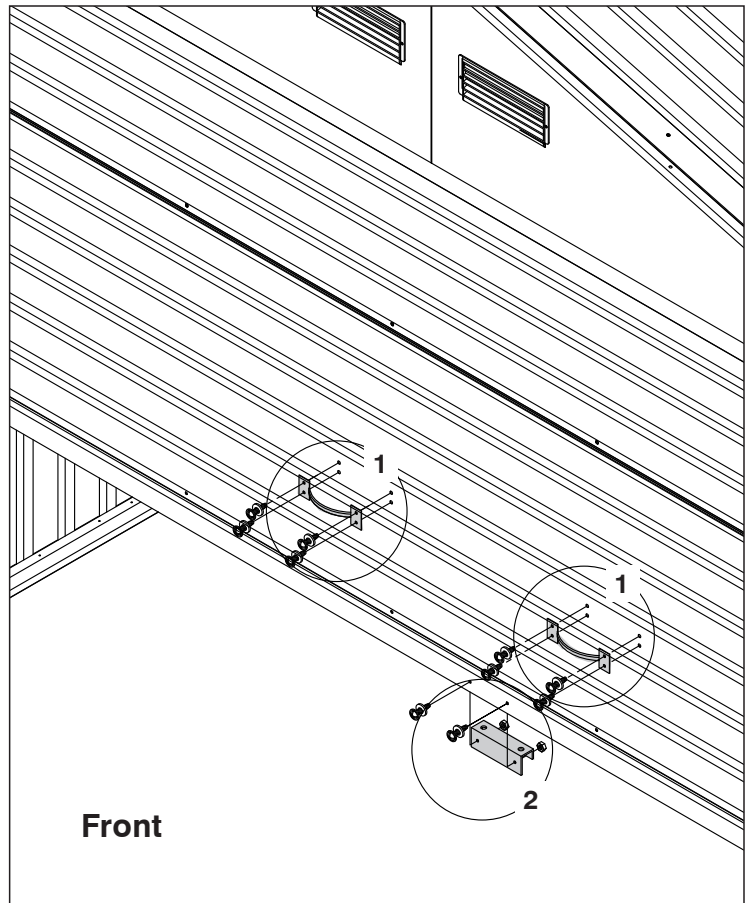


Fig.2



Front

Step -10

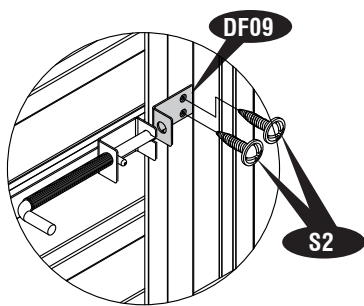
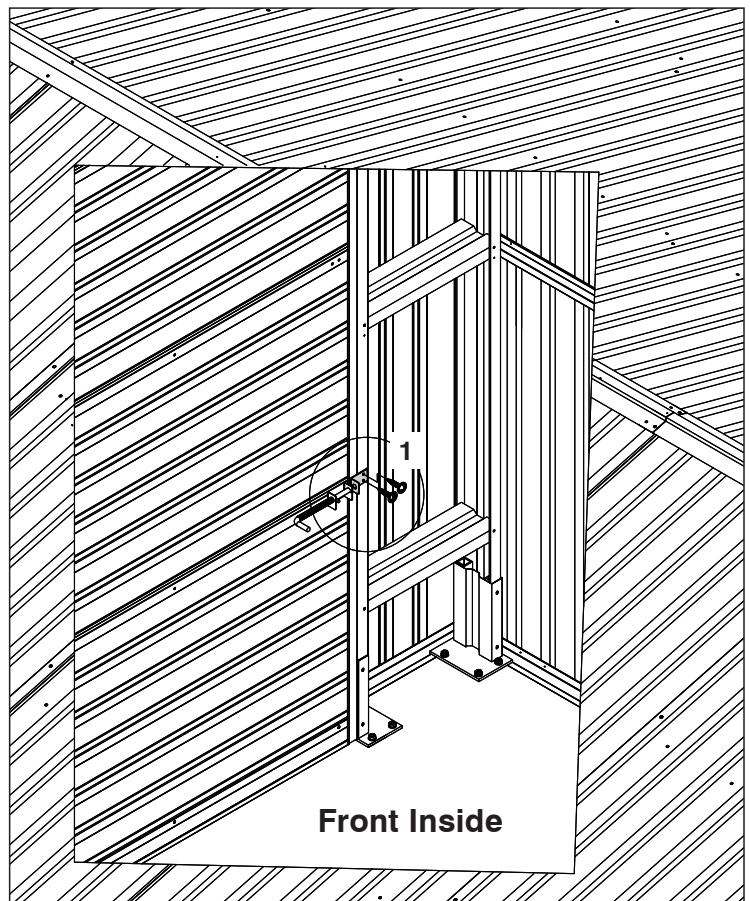
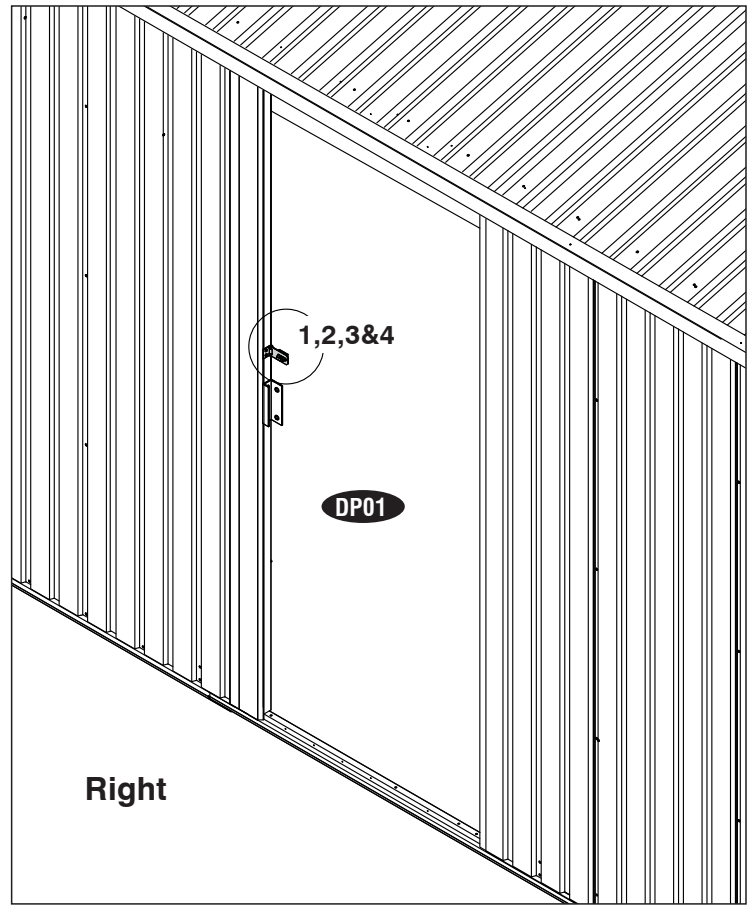
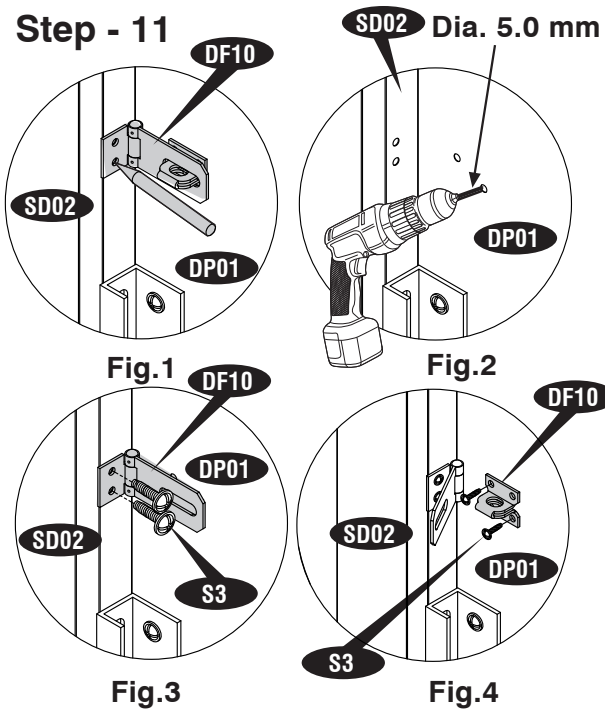


Fig.1



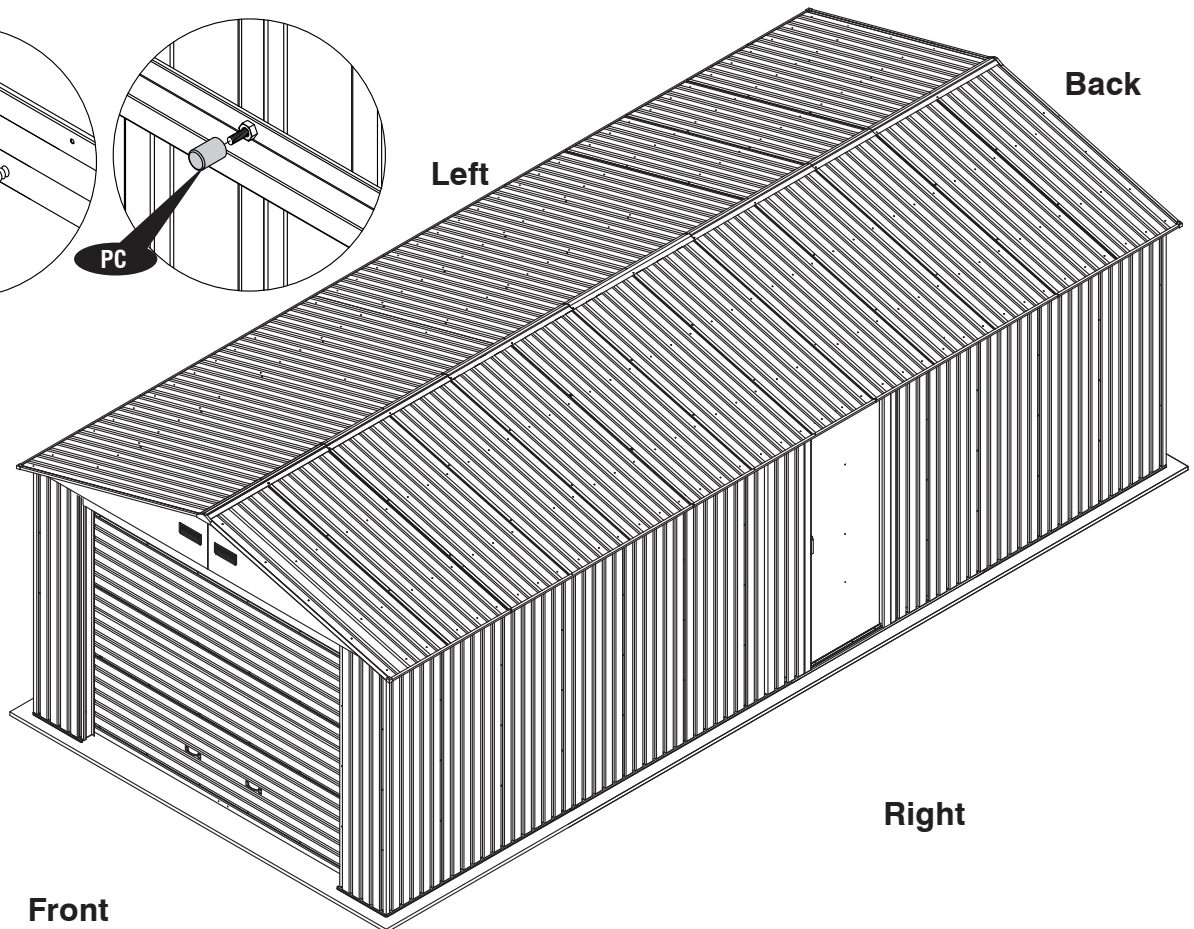
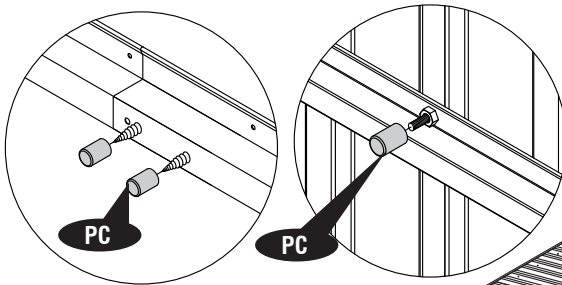
Front Inside

Step - 11



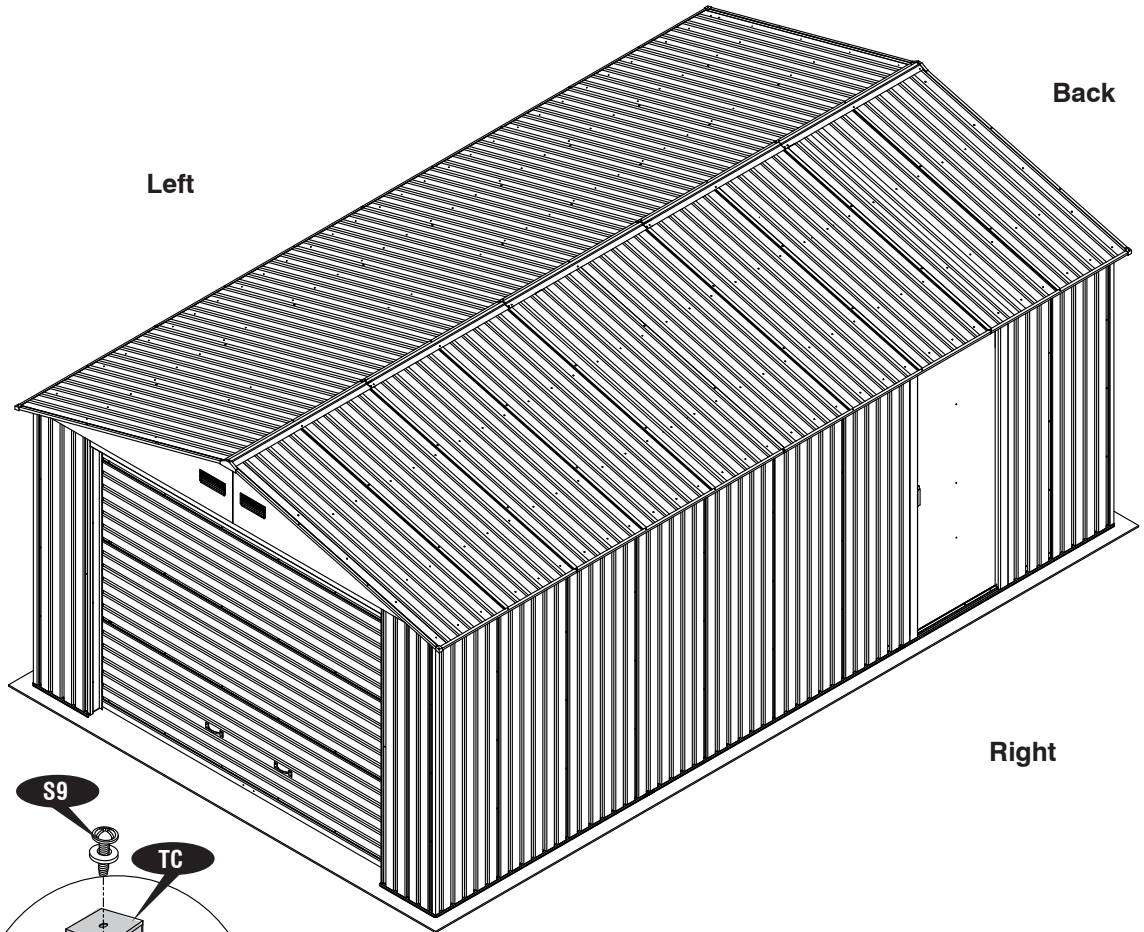
IMPORTANT Step - 12

Fix the plastic screw cover (PC) to the screws and bolts edge from inside to prevent injury.



**WE RECOMMEND TO CLEAR YOUR METAL GARAGE OF SNOW AFTER EACH SNOWFALL
IMPORTANT: USE HAND GLOVES TO PREVENT INJURY.**

PART 2 : Adding Extension Kit to Existing Shed



Front
Step - 1

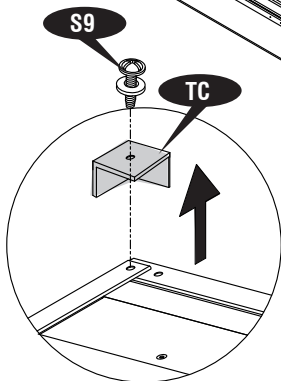


Fig.1

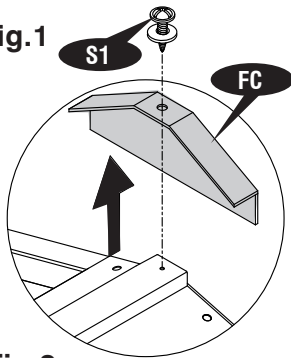


Fig.2

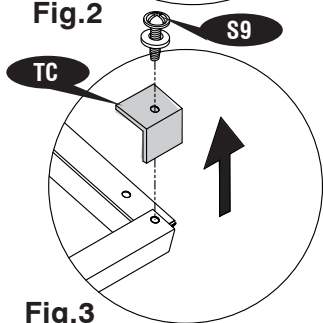
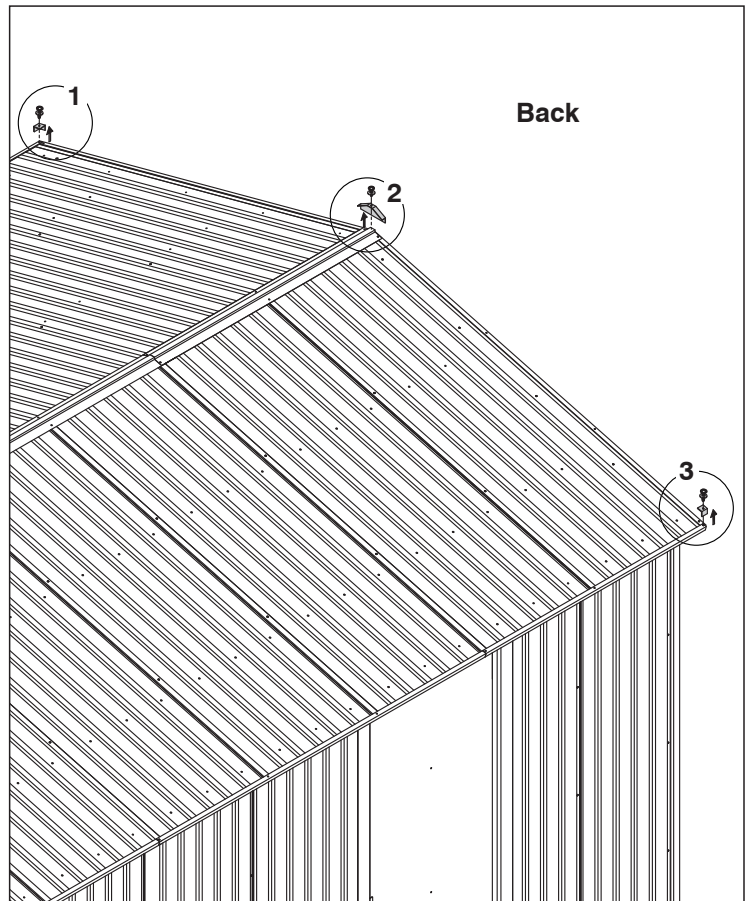


Fig.3



IMPORTANT: USE HAND GLOVES TO PREVENT INJURY.

Step - 2

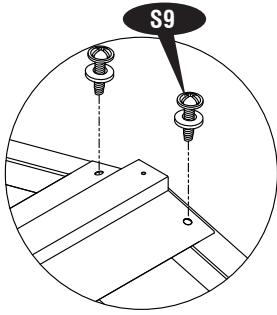


Fig.1

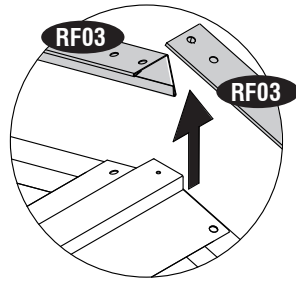


Fig.2

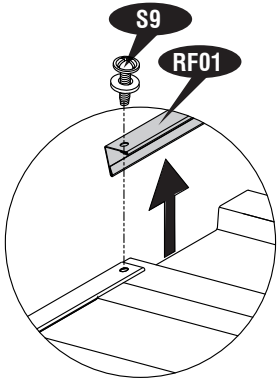


Fig.3

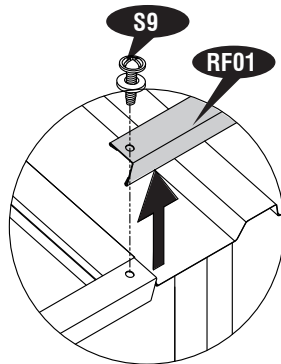
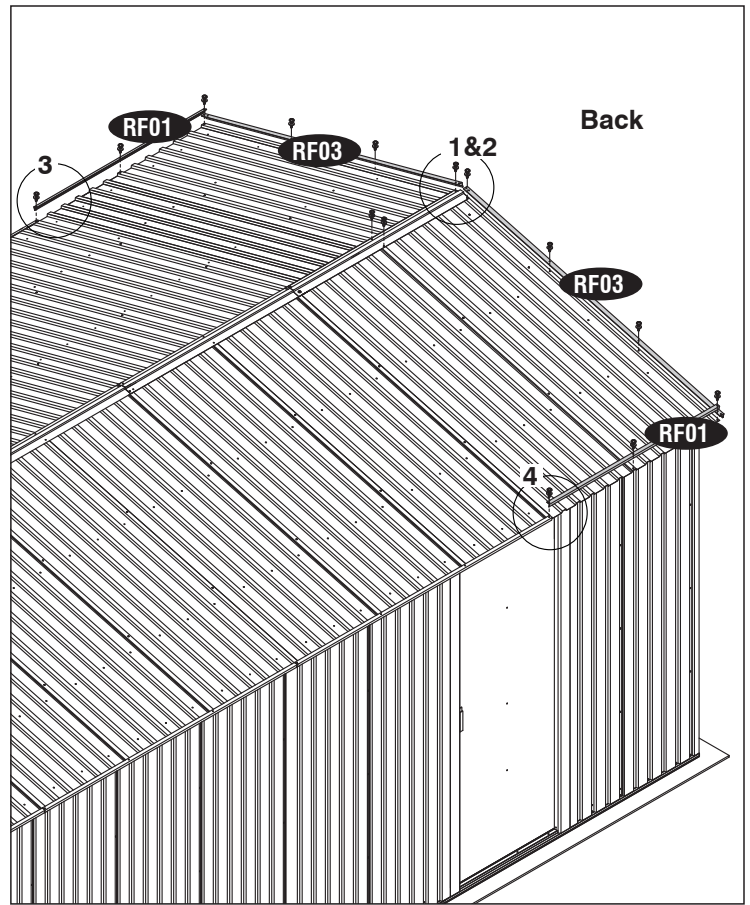
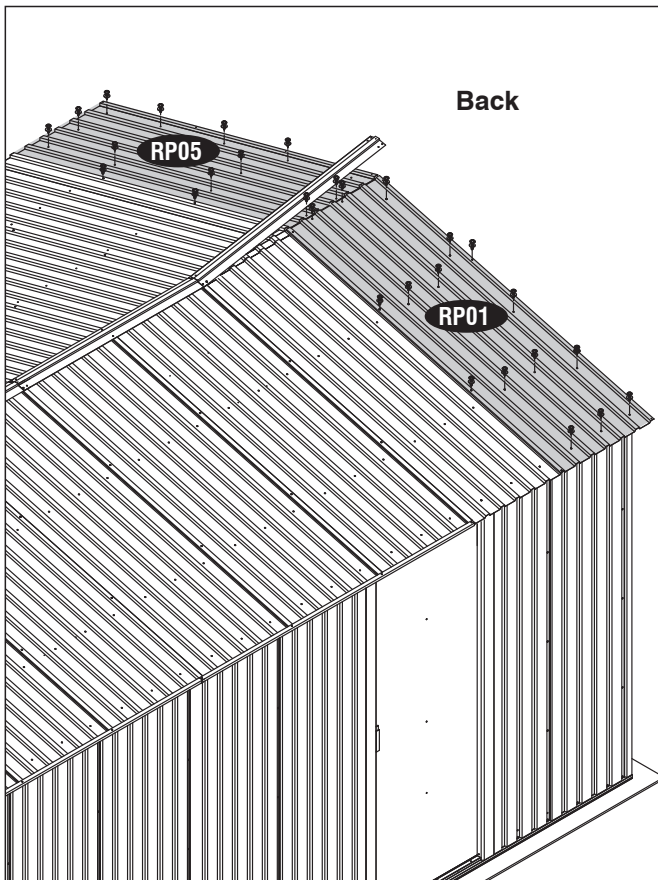


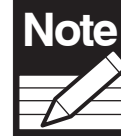
Fig.4



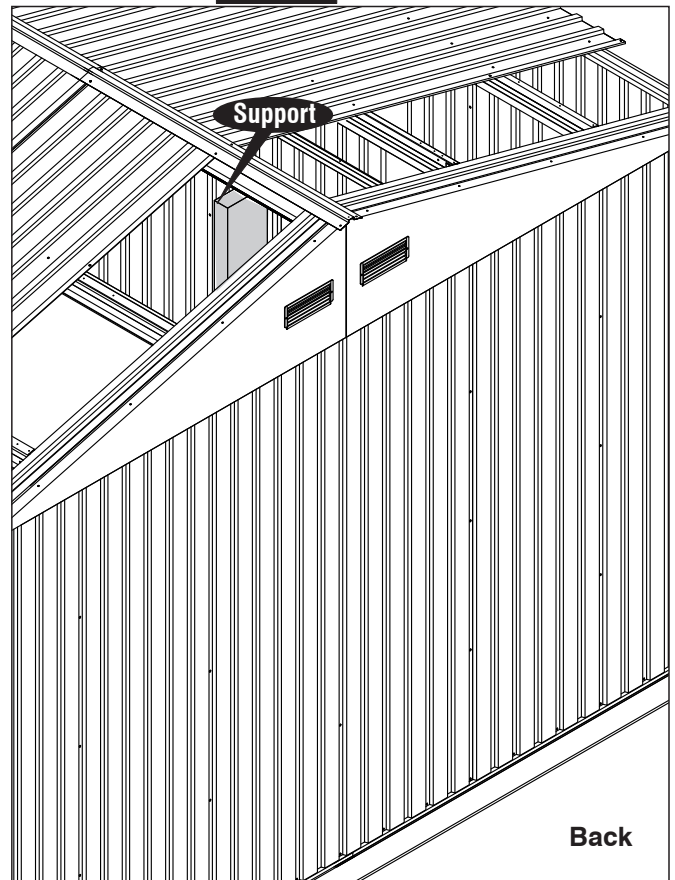
Step - 3



Step - 4

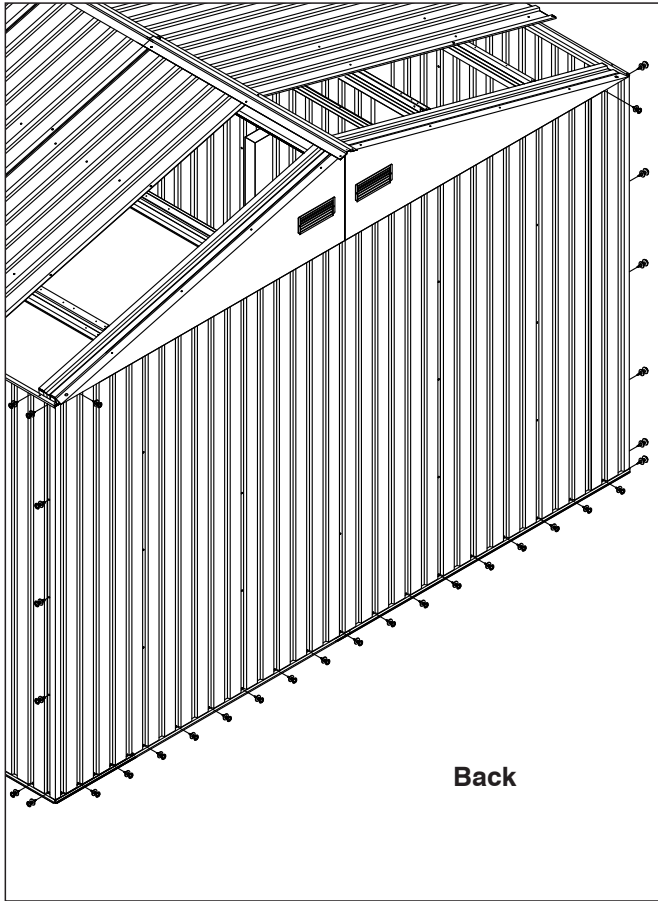


Support not included.

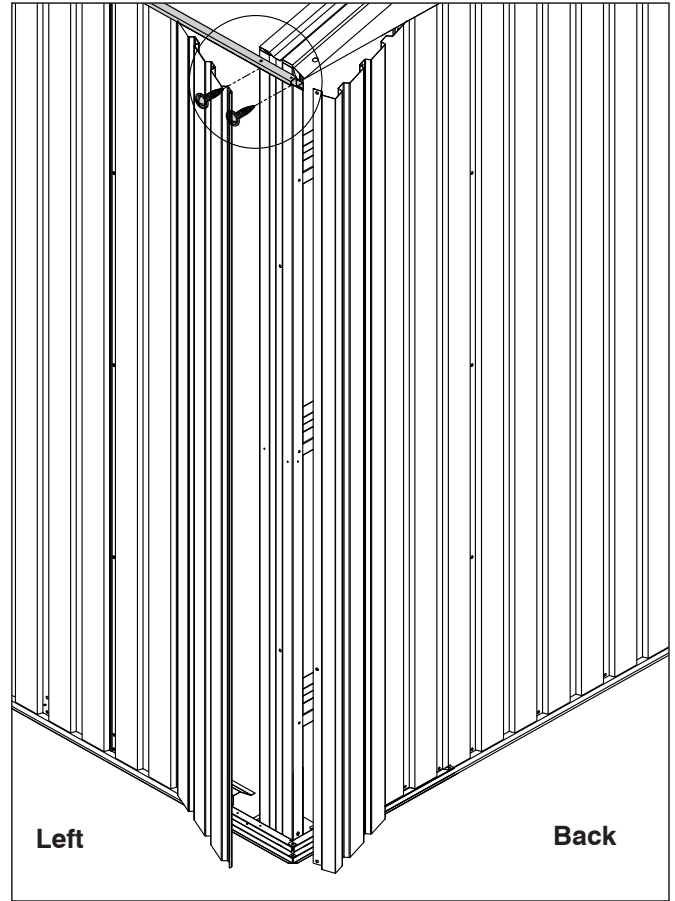


IMPORTANT: USE HAND GLOVES TO PREVENT INJURY.

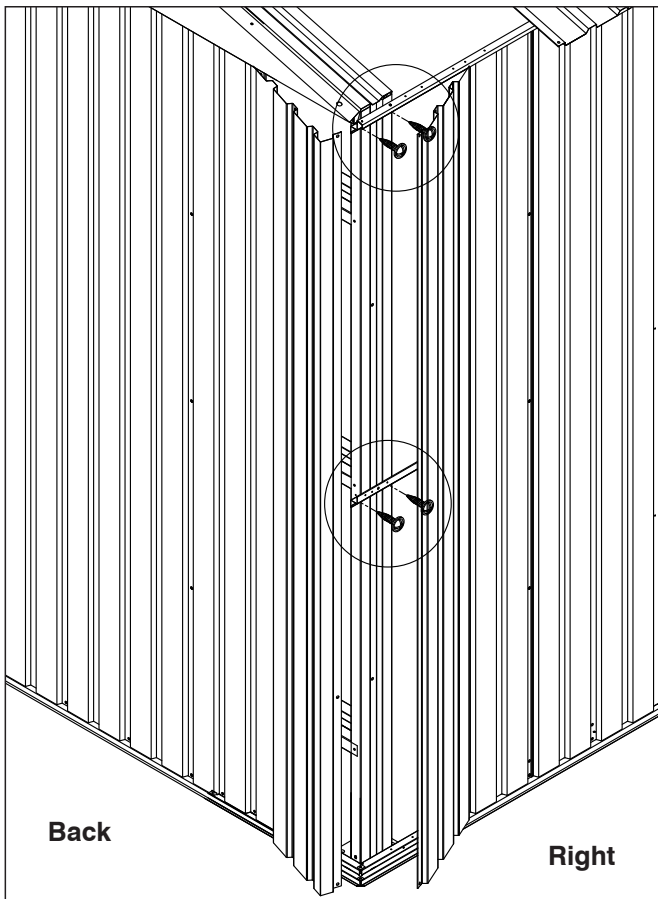
Step - 5



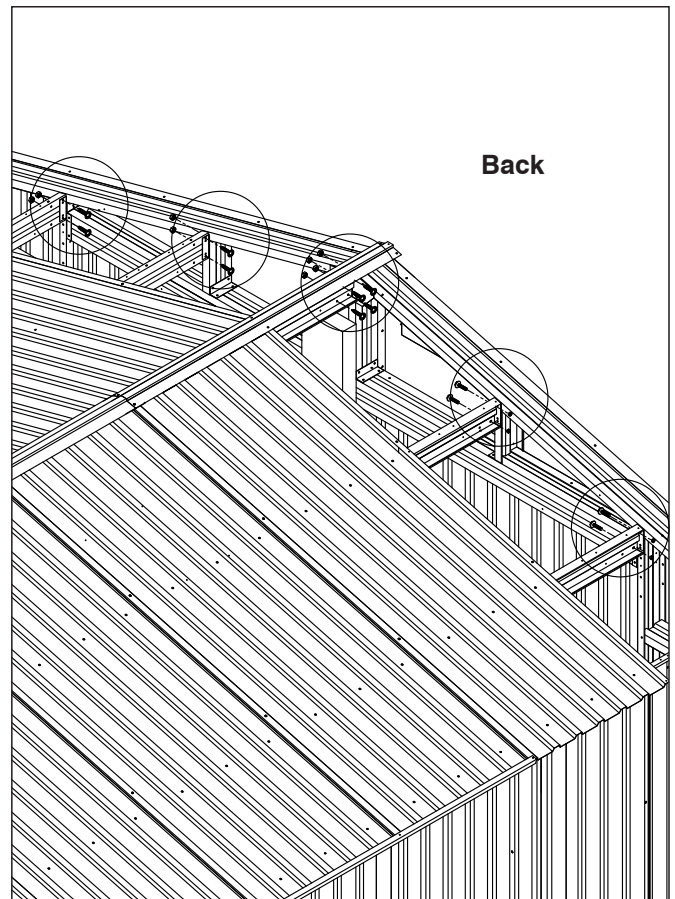
Step - 6



Step - 7



Step - 8



IMPORTANT: USE HAND GLOVES TO PREVENT INJURY.

Step - 9

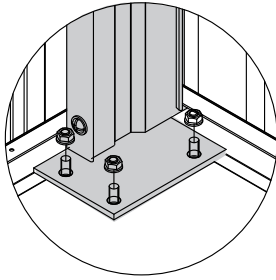


Fig.1

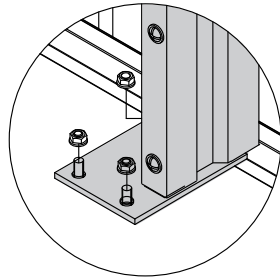


Fig.2

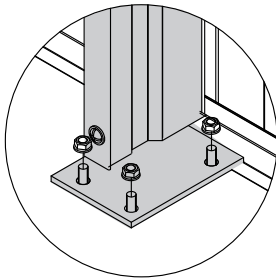


Fig.3

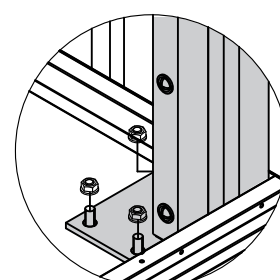
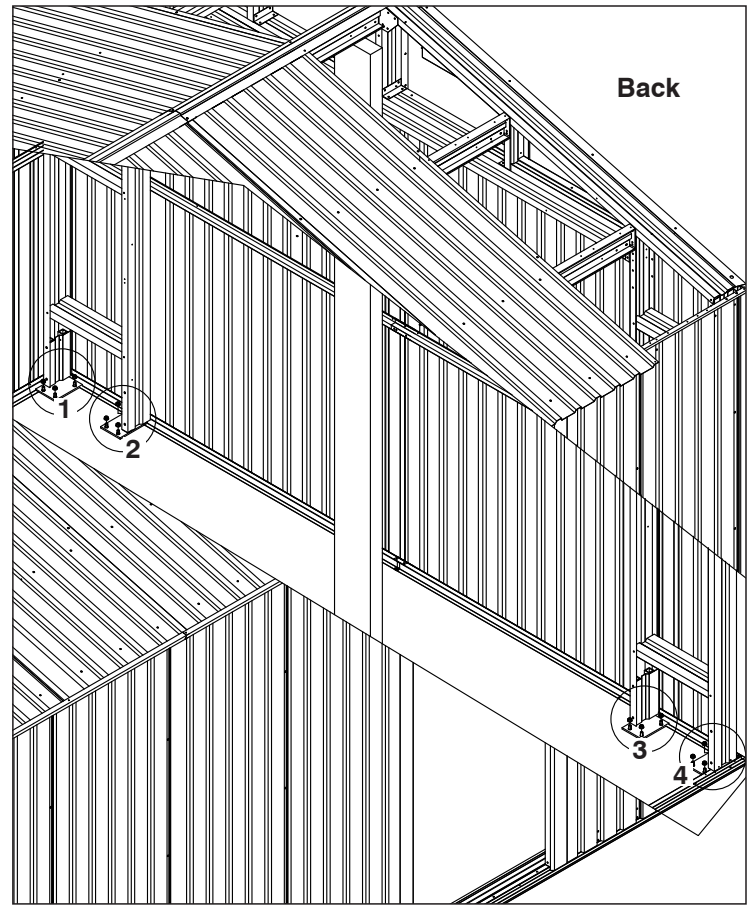
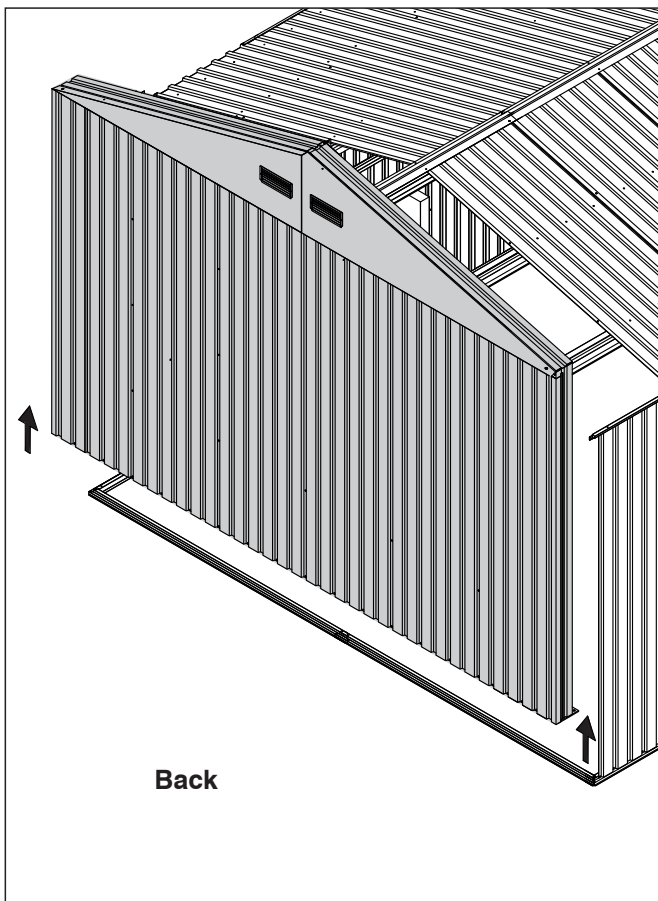


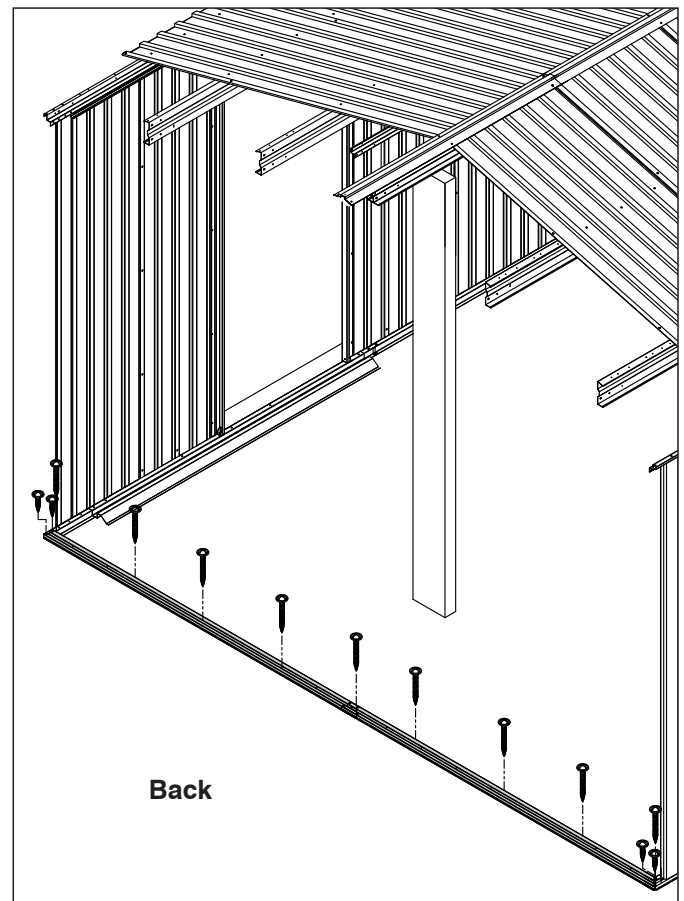
Fig.4



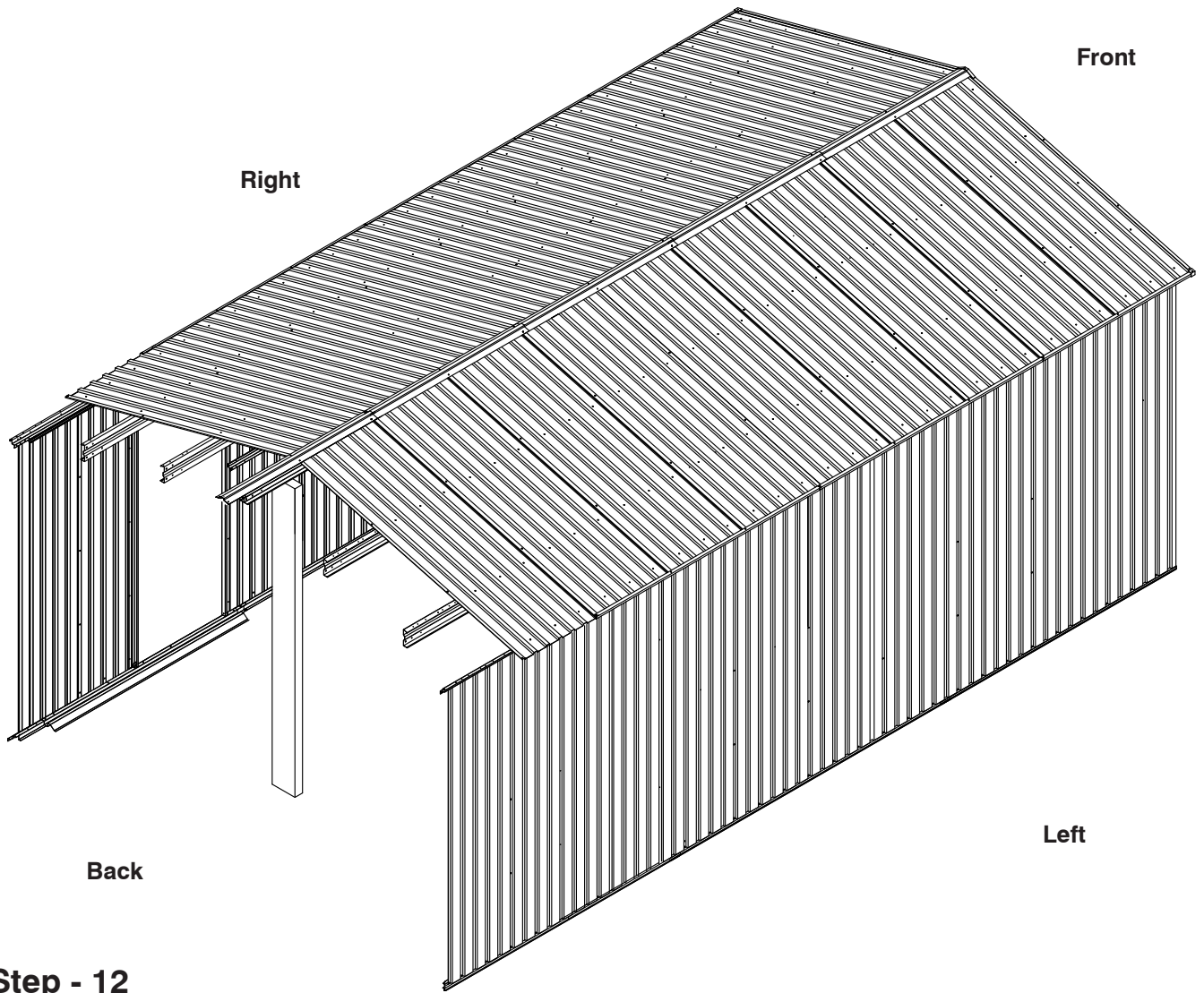
Step - 10



Step - 11



IMPORTANT: USE HAND GLOVES TO PREVENT INJURY.



Step - 12

Come back to 12'x20' MetalGarage Extension Kit manual (PART-1) and follow the steps



U.S. Polymers, Inc.
1057 S. Vail Ave
Montebello, CA 90640,
United States of America