

Insulated Cabin Flat Roof

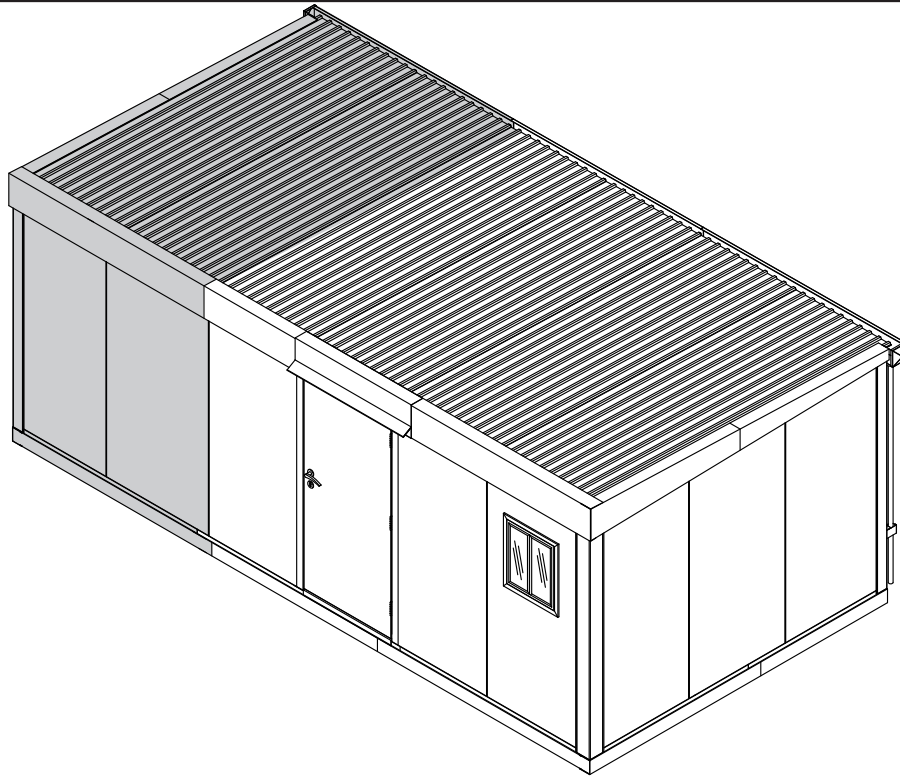
OWNER'S MANUAL /

Instructions for Assembly

Size 10 Ft x 13 Ft with "Extension Kits" (10 Ft x 6 1/2 Ft / 3.1 Mtr. x 2 Mtr.) (Approx.)

Ver. : 0.0

OPTION - 1 : Extension Kit assembly on Left Side of the Basic Cabin



Note : For Cabin with Extension assembly use this manual only

- Strong & Secure Cabin
- Quick & Easy Assembly
- Metal Cladded Insulated Walls
- Wide Door with Lock
- Easily Expandable

Available Kits

- Window Kits Available

PART 1 ASSEMBLING CABIN WITH EXTENSION KIT

PART 2 ADDING EXTENSION KIT TO EXISTING CABIN

**Customer
Service Hotline
(800) 483-4674**
www.duramaxbp.com

Call us for any missing or damaged parts.
Do not return to the store.

Building Dimensions (One Extension):

Approximate Size	Storage		Exterior Dimension				Interior Dimension		
	Area	Volume	Base Dimension		Roof Edge to Edge		Wall to Wall		
			inch	cm.	inch	cm.	inch	cm.	
10 Ft x 6 1/2 Ft	65 Sq. Ft.	442 1/8 Cu.Ft.	Width	79	201	79	201	79	201
3.1 Mtr. x 2 Mtr.	6.03 Sq.Mtr.	12.54 Cu.Mtr.	Depth	120 1/2	306	127 1/8	323	118 1/8	300
			Height			92	233.5	81 3/4	208

Note - Basic cabin dimensions are available in basic cabin manual.

Duramax Insulated Shed Limited Seven Year Warranty

U.S. Polymer Inc. will send a replacement part free of charge, in the event of material defects and or workmanship for a period of seven years from the date of purchase.

This warranty is extended only to the original purchaser. A purchase receipt or other proof of date of original purchase will be required before warranty service is rendered. In no event shall we pay the cost of flooring, labor, installation or any other costs related thereto.

This warranty only covers failures due to defects in material or workmanship which occurs during normal use and does not extend to color change arising due to normal weathering or to damage resulting from misuse or neglect, commercial use, failure to follow assembly instructions and the owner's manual (including proper anchoring of the shed), painting, forces of nature and other causes which is beyond our control.

Claims under this warranty must be made within the warranty period by calling 1-800-483-4674 or mail in a dated sales slip and clear photograph of the part to:

U.S. Polymers, Inc.
1057 S. Vail Ave,
Montebello, CA 90640.

We reserve the right to discontinue or change components. If a component has been discontinued or is not available,

U.S. Polymers, Inc. reserves the right to substitute a component of equal quality as may be compatible.

Limits and Exclusions

There are no express warranties except as listed above. The warrantor shall not be liable for incidental or consequential damages resulting from the use of this product, or arising out of any breach of this warranty.

All express warranties are limited to the warranty period set forth above. Some states do not allow the exclusion or limitation on how long an implied warranty lasts, so the above limitations may not apply to you.

This warranty gives you specific legal rights and you may also have other rights which vary from state to state or country to country.

Basic Cabin Parts List

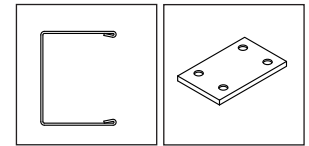


Note: Check all parts prior to installation.

PARTS			
CODE	QTY	CODE	QTY
F1D	2	RFD	1
F2D	2	RF2D	1
F3D	4	RF3D	1
F4D	4	RF4D	1
F5D	2	RF5D	1
F6D	2	RF6D	1
F7D	4	RF7D	1
F8D	18	GLD	1
F9D	4	GRD	1
F10D	8	G1D	1
F11D	8	TS1D	2
BC1D	2	TS2D	2
BC2D	2	TS3D	2
BC3D	2	TS4D	3
BC4D	2	PC1D	1
TC1D	1	PC2D	1
TC2D	1	RFSD	10
TC3D	1	GSD	4
TC4D	1	RSJD	6
TC5D	1	DCV4	1
TC6D	1	W1D	12
TC7D	1	W2D	1
TC8D	1	R1D	1
DCLD	1	R2D	2
DCRD	1	R3D	1
DSTD	1	DC	1
DSD	1	WINDOW	1
CC1	4	WINDOW Frame	1
CC2	2		
CC3	2		

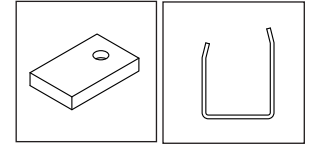
ACCESSORIES	
CODE	QTY
DNS	1
DFA4	1
P2BE	2
S2	473
S8	4
S3	2
S10	42
S12	12
S14	8
S15	24
S16	42
HC	3
SILICON CLEAR	2
DOOR LOCK	1
SUPER GLUE	1

PROFILES



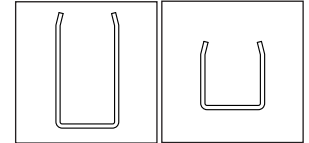
F1D, F2D, F3D, F4D, F5D, F6D, F7D, F8D, F9D

F10D



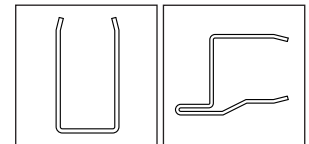
F11D

BC1D, BC2D, BC3D, BC4D



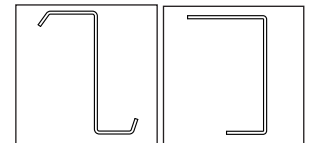
TC1D, TC2D

TC3D, TC4D



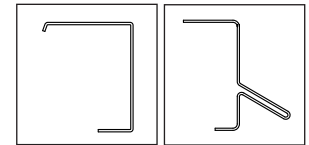
TC5D, TC6D, TC7D, TC8D

DCLD, DCRD, DSTD, DSD



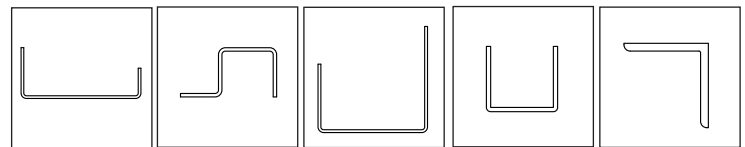
RSD

RFD, RF2D



RF3D, RF4D, RF5D, RF6D

RF7D



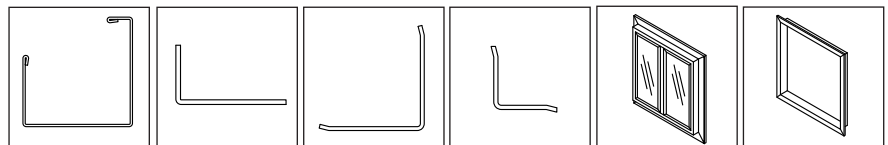
PC1D

PC2D

G1D

TS1D, TS2D, TS3D, TS4D

RSJD



GLD, GRD

GSD

CC1

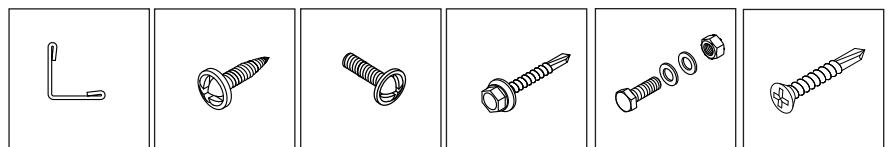
CC2, CC3

WINDOW

WINDOW FRAME

Tools You Will Need

- Hand Gloves
- Cordless Drill - Philips Head
- Screw driver - Philips Head
- Carpenter's Square
- Eye Protector
- 8' Step Ladder
- Adjustable pliers
- Level - 3ft.
- Tape Measure
- Hammer or Rubber Mallet
- Caulk Gun
- 10mm Hex. Socket Bit
- 7.0mm Spanner



RFSD

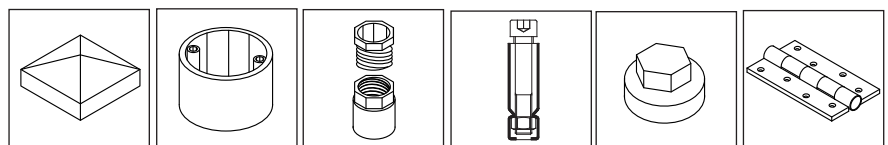
S2, S8

S3

S10

S12

S15



P2BE

DNS

DFA4

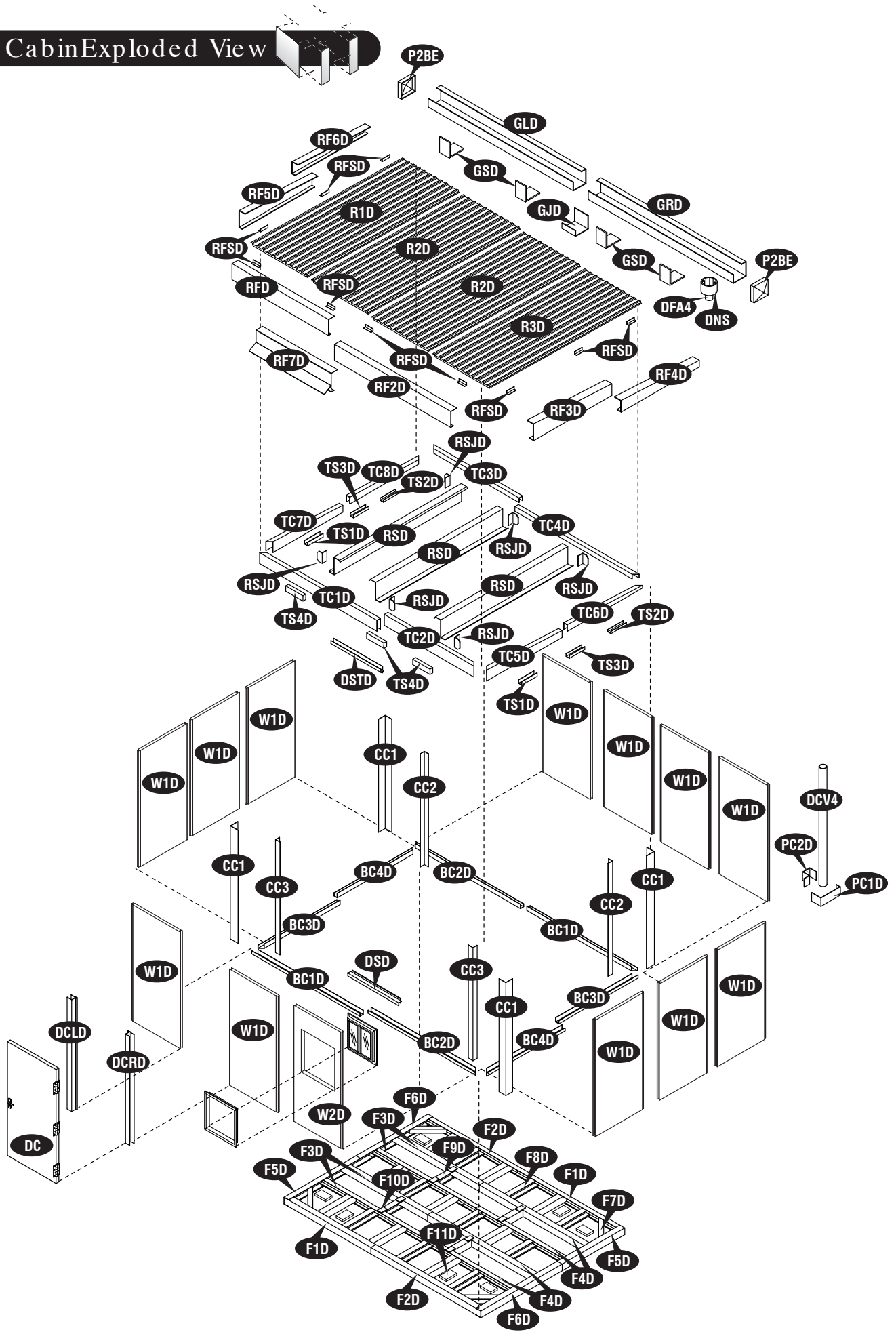
S14

S16

HC

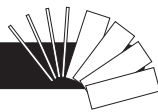
IMPORTANT : USE HAND GLOVES TO PREVENT INJURY.

Basic Cabin Exploded View



IMPORTANT : USE HAND GLOVES TO PREVENT INJURY.

One Extension Parts List

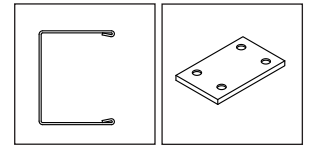


Note: Check all parts prior to installation.

PARTS	
CODE	QTY
BC5D	1
BC6D	1
F8D	12
F9D	4
F10D	8
F11D	4
F12D	2
F13D	4
TCMD	1
TCCD	1
TBMD	1
TBCD	1
RSD	2
RFED	1
GED	1
GJD	1
TSJD	2
TCJD	2
FSJD	3
GSED	2
RSJD	4
W1D	4
R2D	2
RSLD	1
RSRD	1

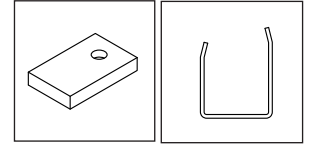
ACCESSORIES	
CODE	QTY
S2	165
S10	16
S12	8
S21	16
S16	16
S14	4
SILICON CLEAR	1

PROFILES



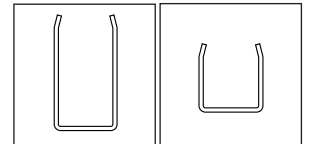
F8D, F9D, F12D, F13D

F10D



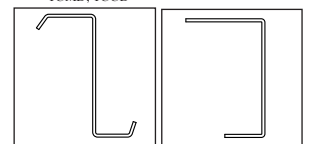
F11D

BC5D, BC6D



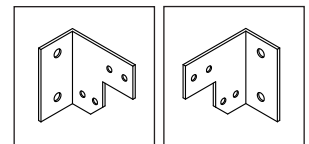
TCMD, TCCD

TBMD, TBCD



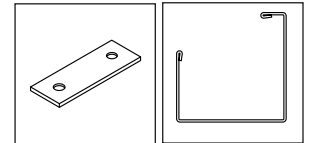
RSD

RFED



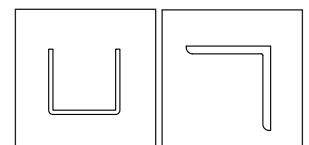
RSLD

RSRD



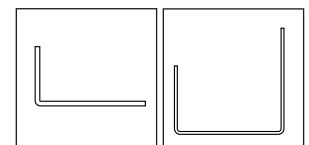
TCJD

GED



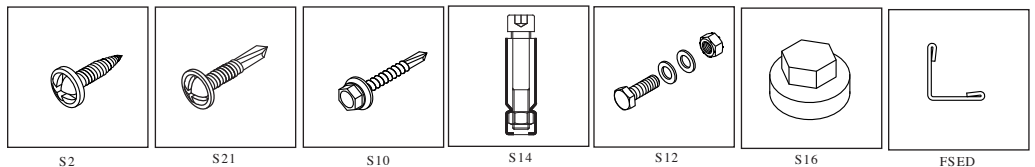
TSJD

RSJD



GSED

GJD



S2

S21

S10

S14

S12

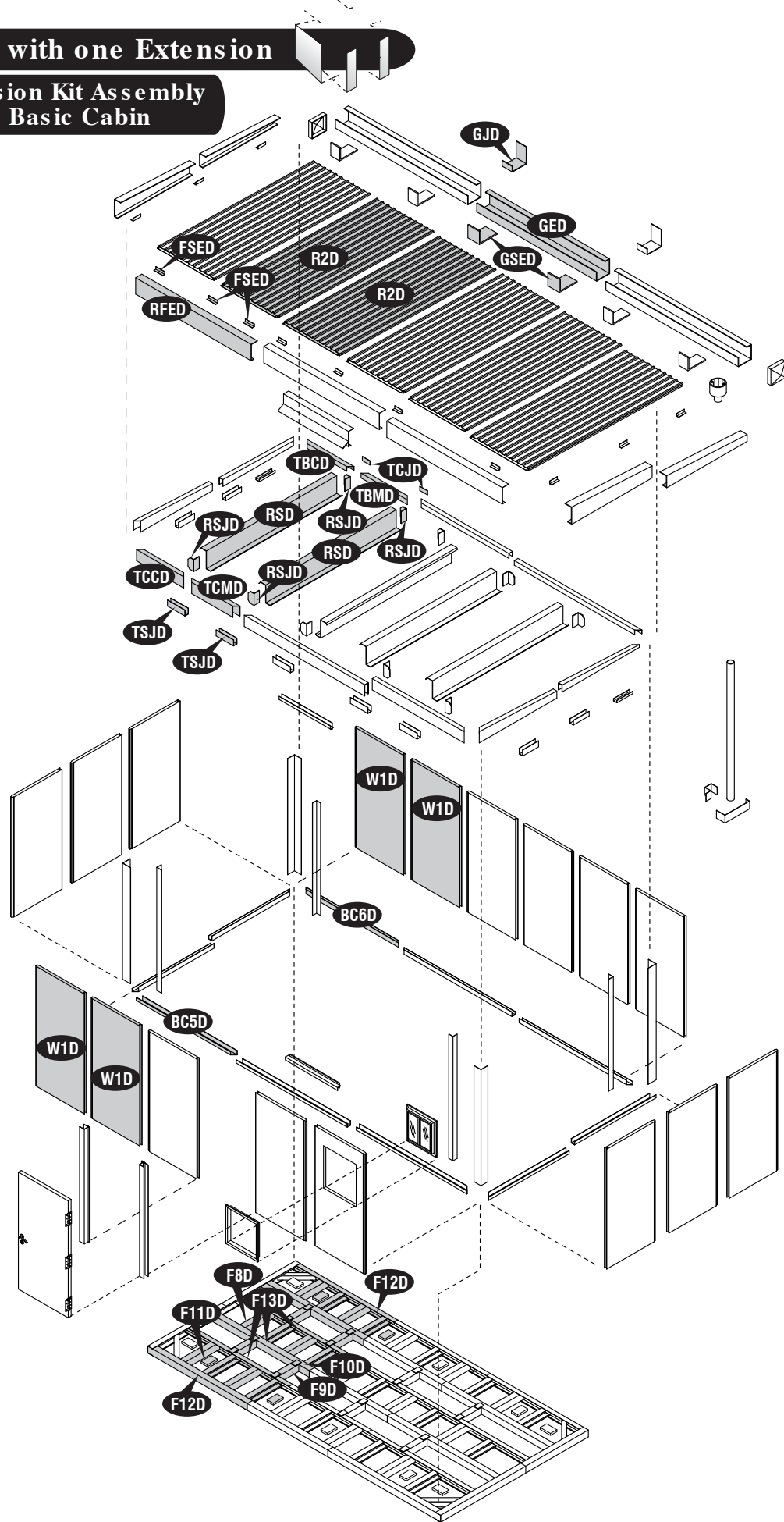
S16

FSJD

IMPORTANT : USE HAND GLOVES TO PREVENT INJURY.

Exploded View with one Extension

Option - 1- Extension Kit Assembly
on Leftside of the Basic Cabin



IMPORTANT : USE HAND GLOVES TO PREVENT INJURY.

PART 1- Assembling Cabin with Extension Kit

Option - 1- Extension Kit Assembly on Left side of the Basic Cabin

A. Foundation & Base Assembly

Note: It is important that these instructions are followed step by step.

Note



All parts are clearly marked and care should be taken to use the correct one.

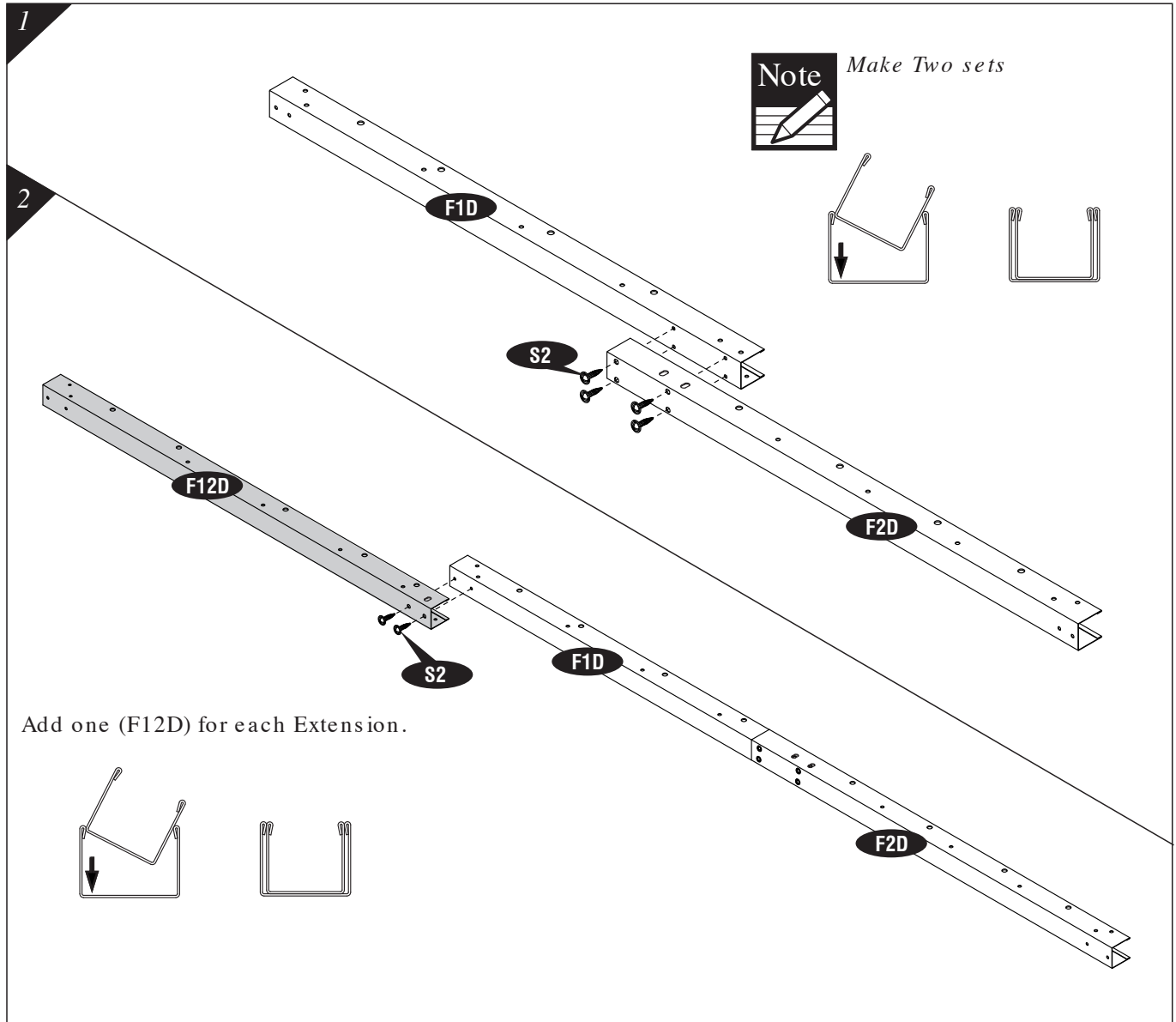
Before Assembling Foundation make sure that the floor level should be perfect flat.

Parts needed:

CODE	QTY	CODE	QTY
F1D	2	F10D	8
F2D	2	F11D	8
F3D	4	BC1D	2
F4D	4	BC2D	2
F5D	2	BC3D	2
F6D	2	BC4D	2
F7D	4	S2	160
F8D	18	S14	8
F9D	4		

Parts needed for Each Extension:

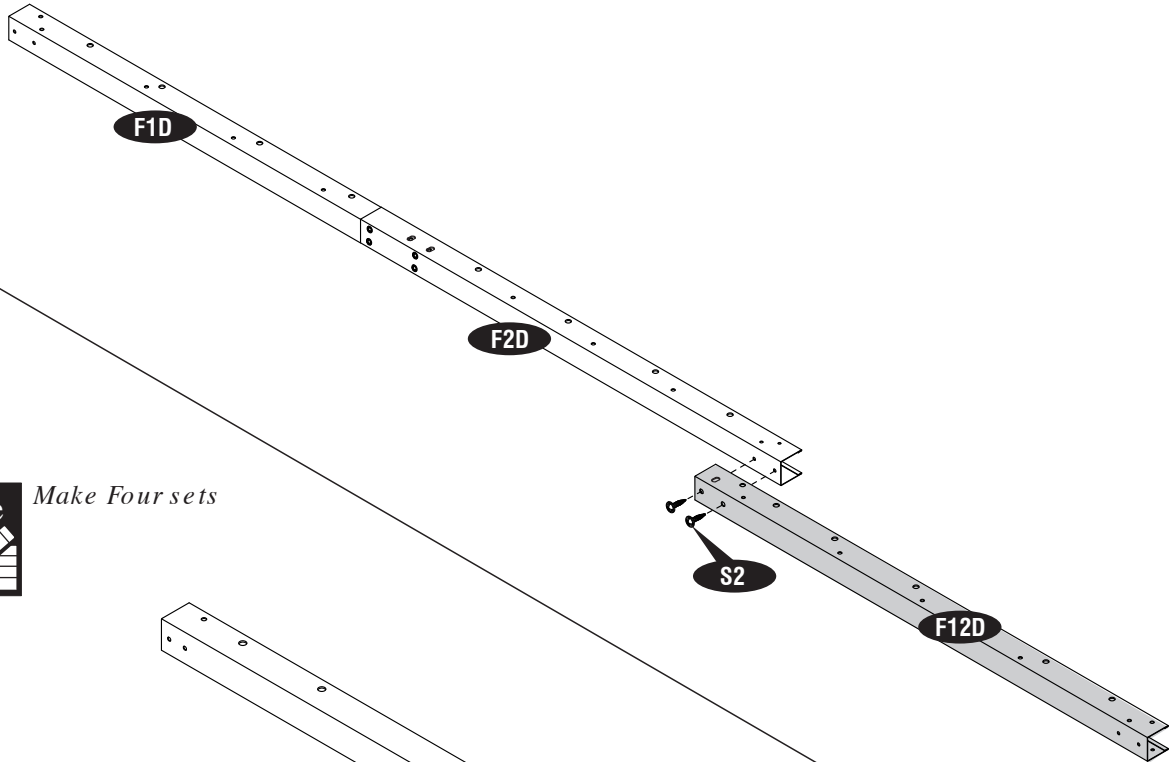
CODE	QTY	CODE	QTY
F8D	12	BC5D	1
F9D	4	BC6D	1
F10D	8	S2	78
F11D	4	S14	4
F12D	2		
F13D	4		



IMPORTANT : USE HAND GLOVES TO PREVENT INJURY.

3

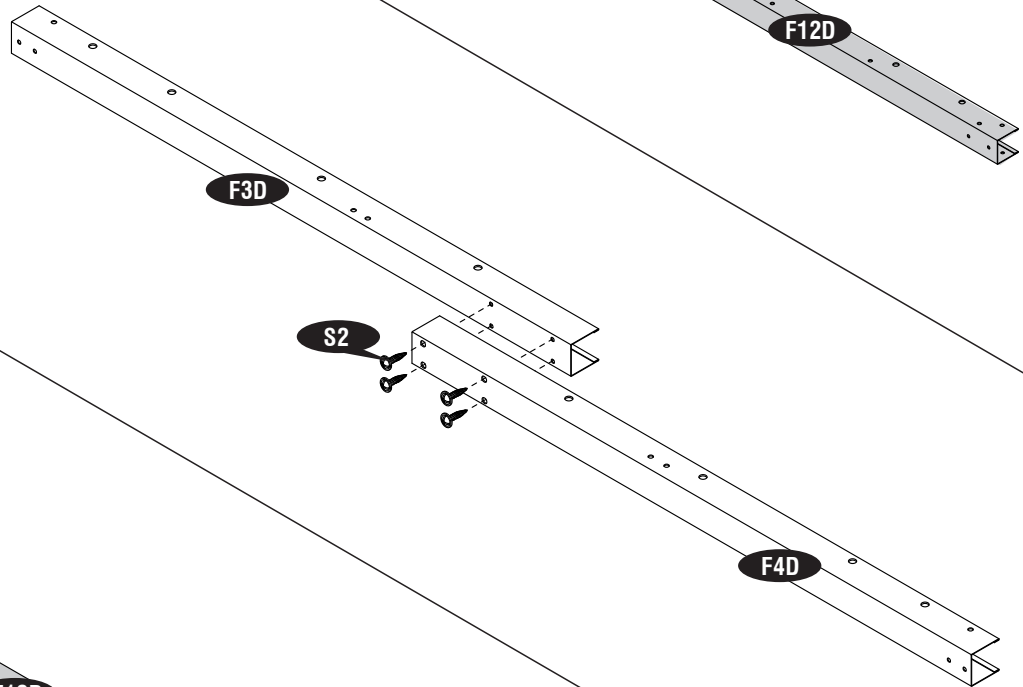
Add one (F12D) for each Extension.



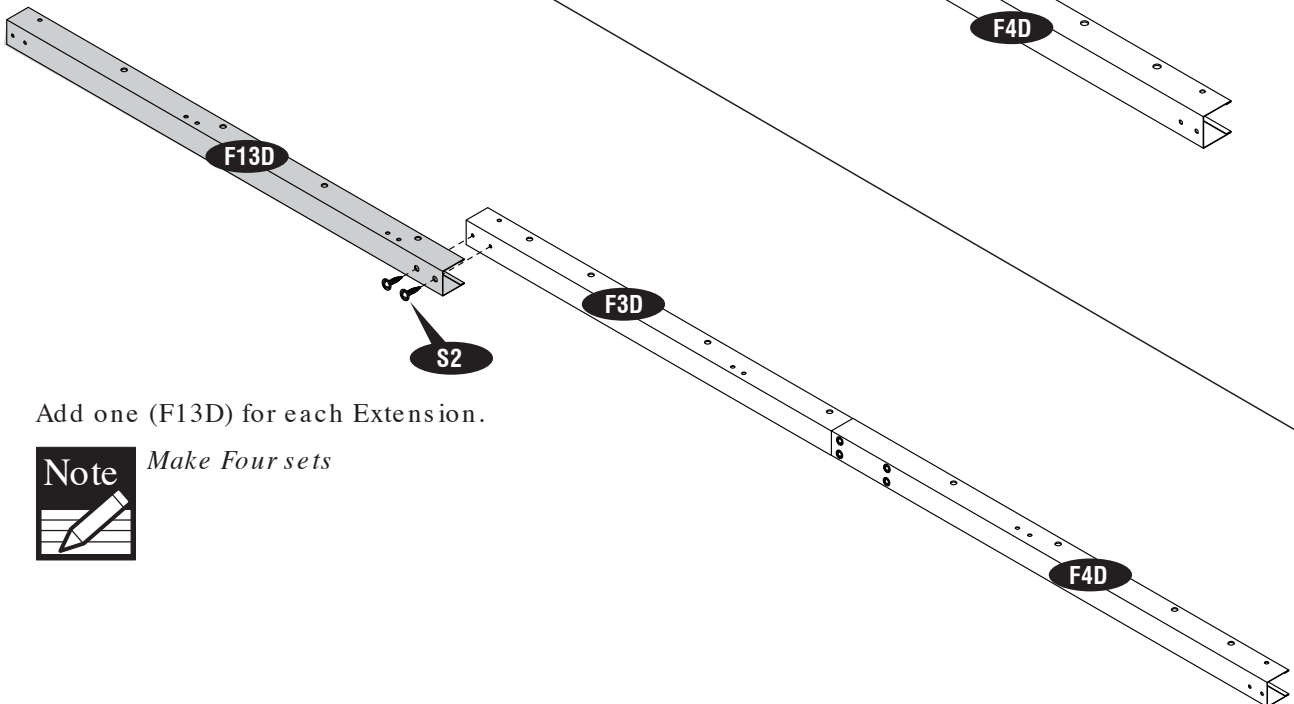
4



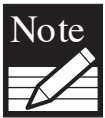
Make Four sets



5



Add one (F13D) for each Extension.



Make Four sets

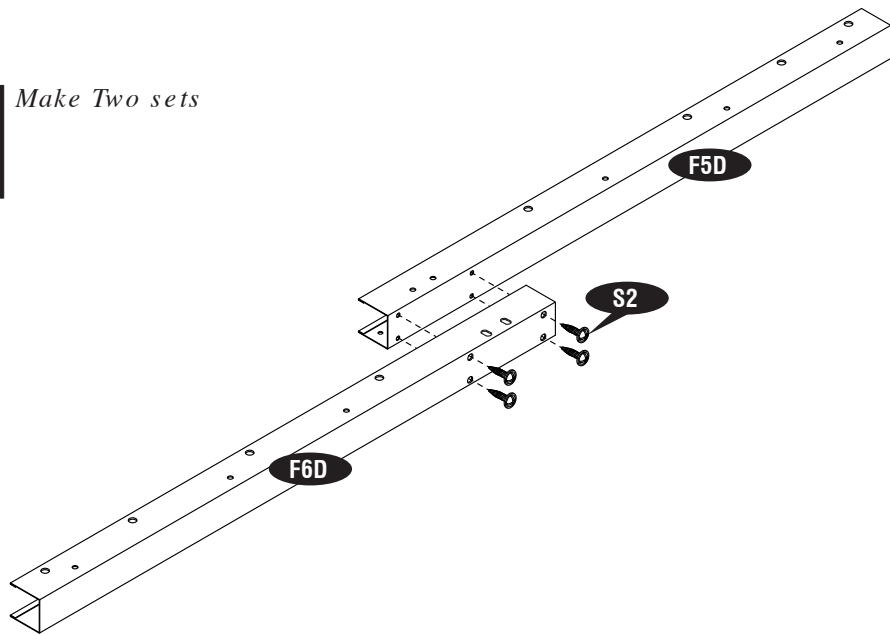
2

IMPORTANT : USE HAND GLOVES TO PREVENT INJURY.

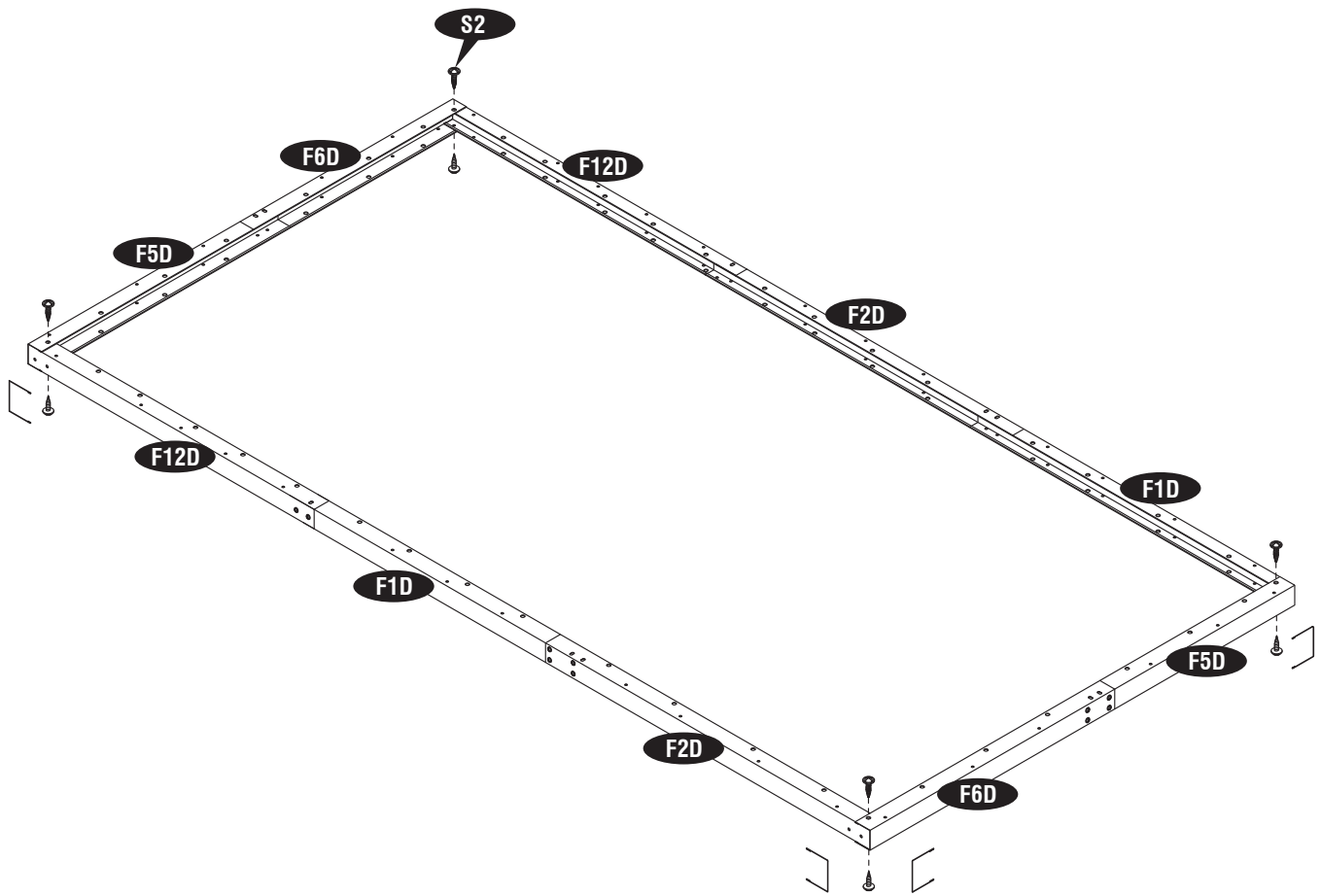
6



Make Two sets



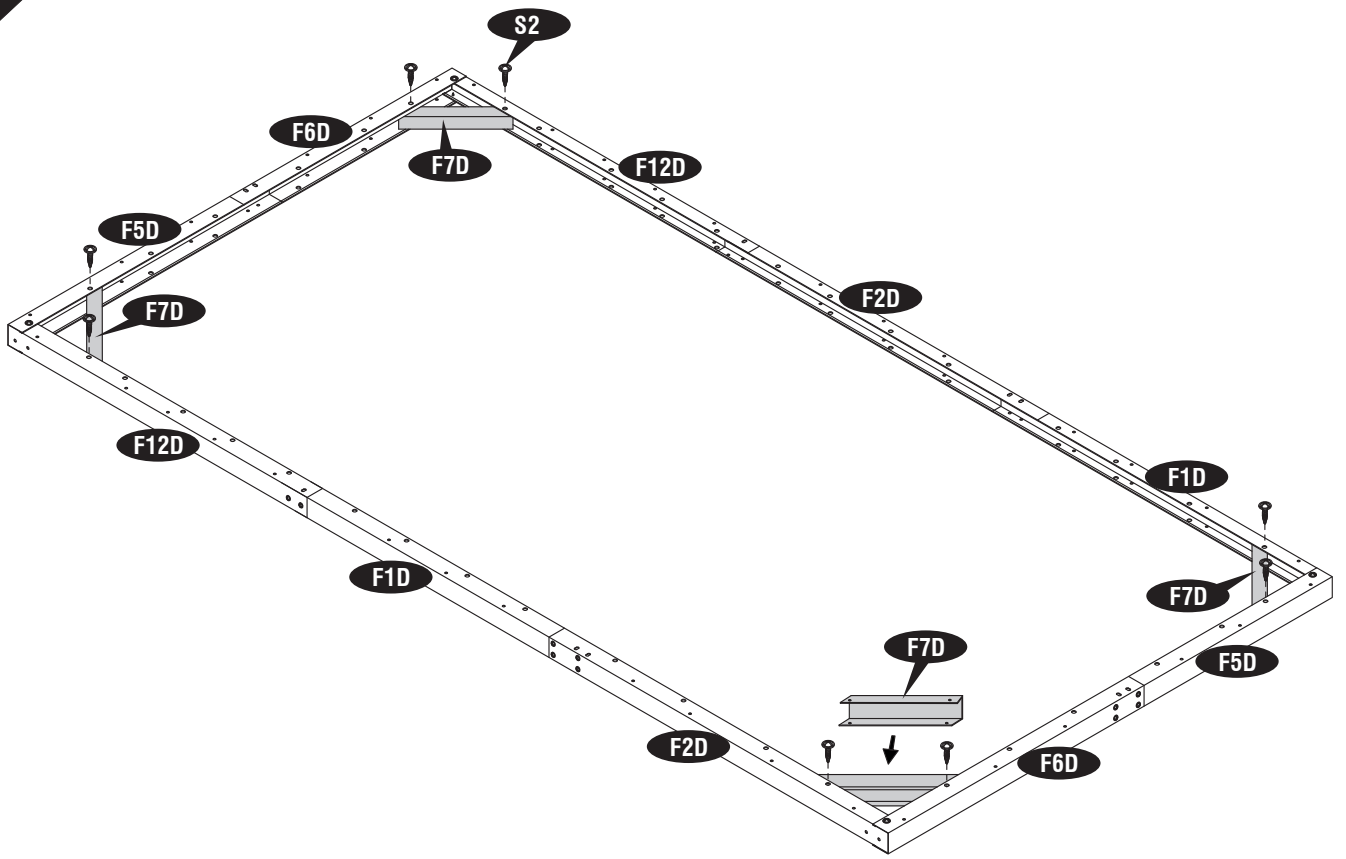
7



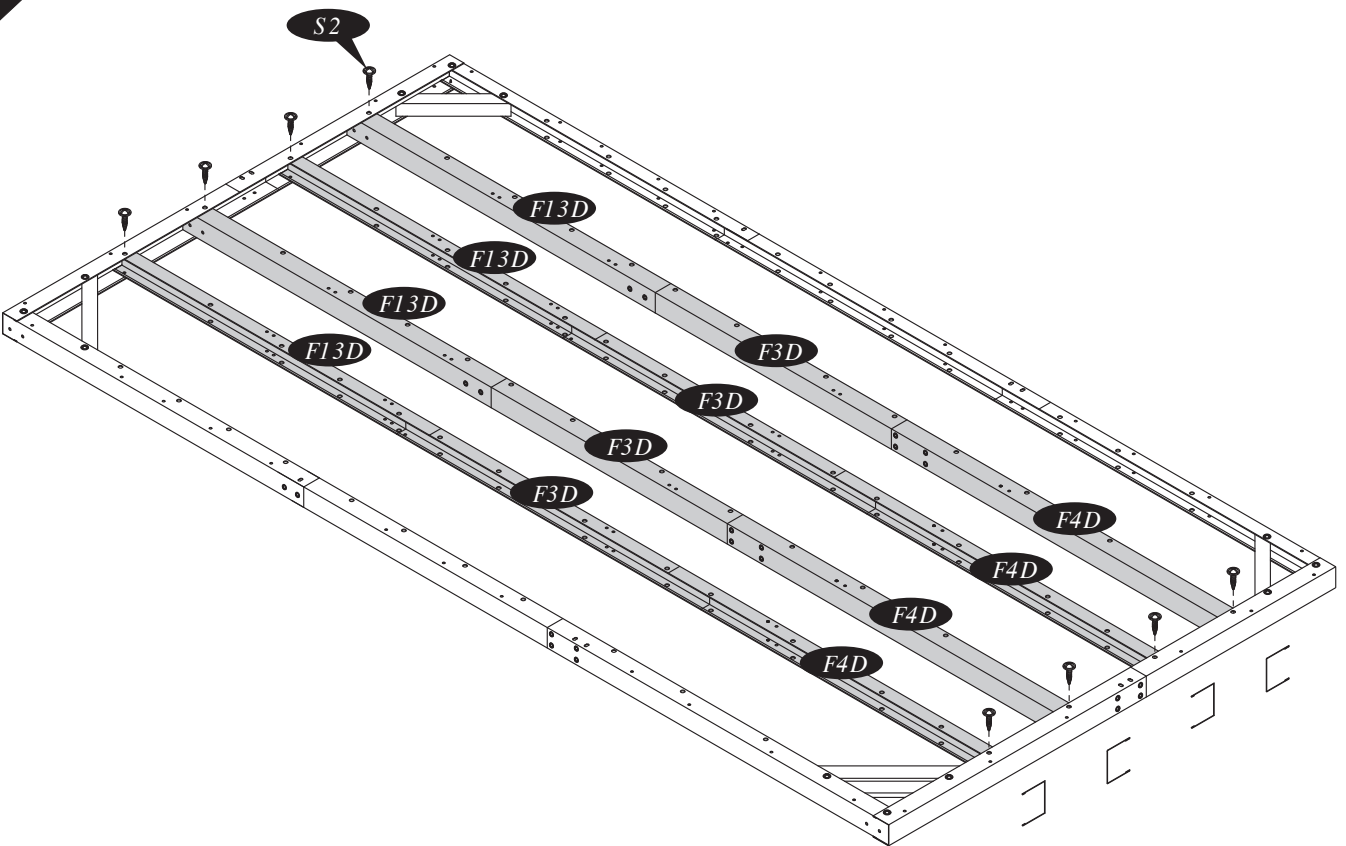
3

IMPORTANT : USE HAND GLOVES TO PREVENT INJURY.

8



9

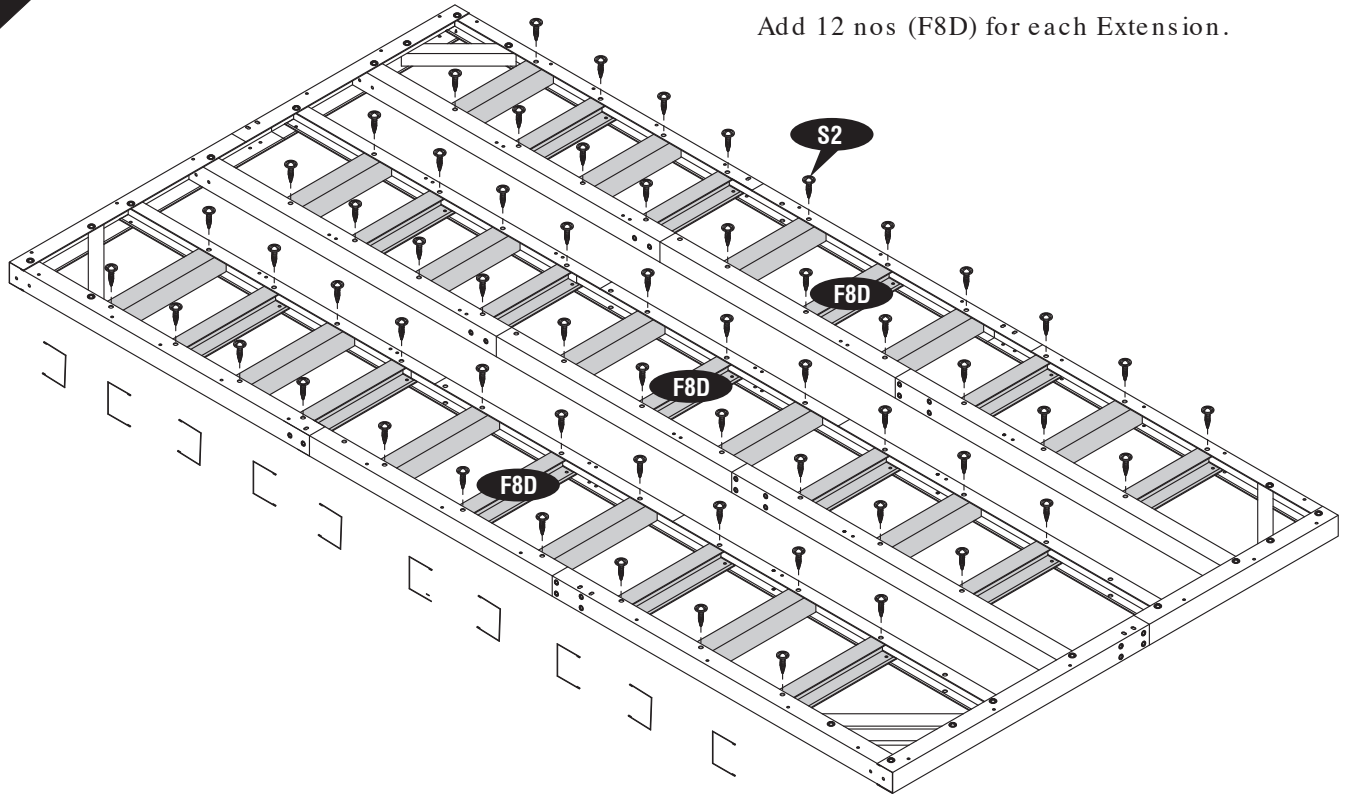


4

IMPORTANT : USE HAND GLOVES TO PREVENT INJURY.

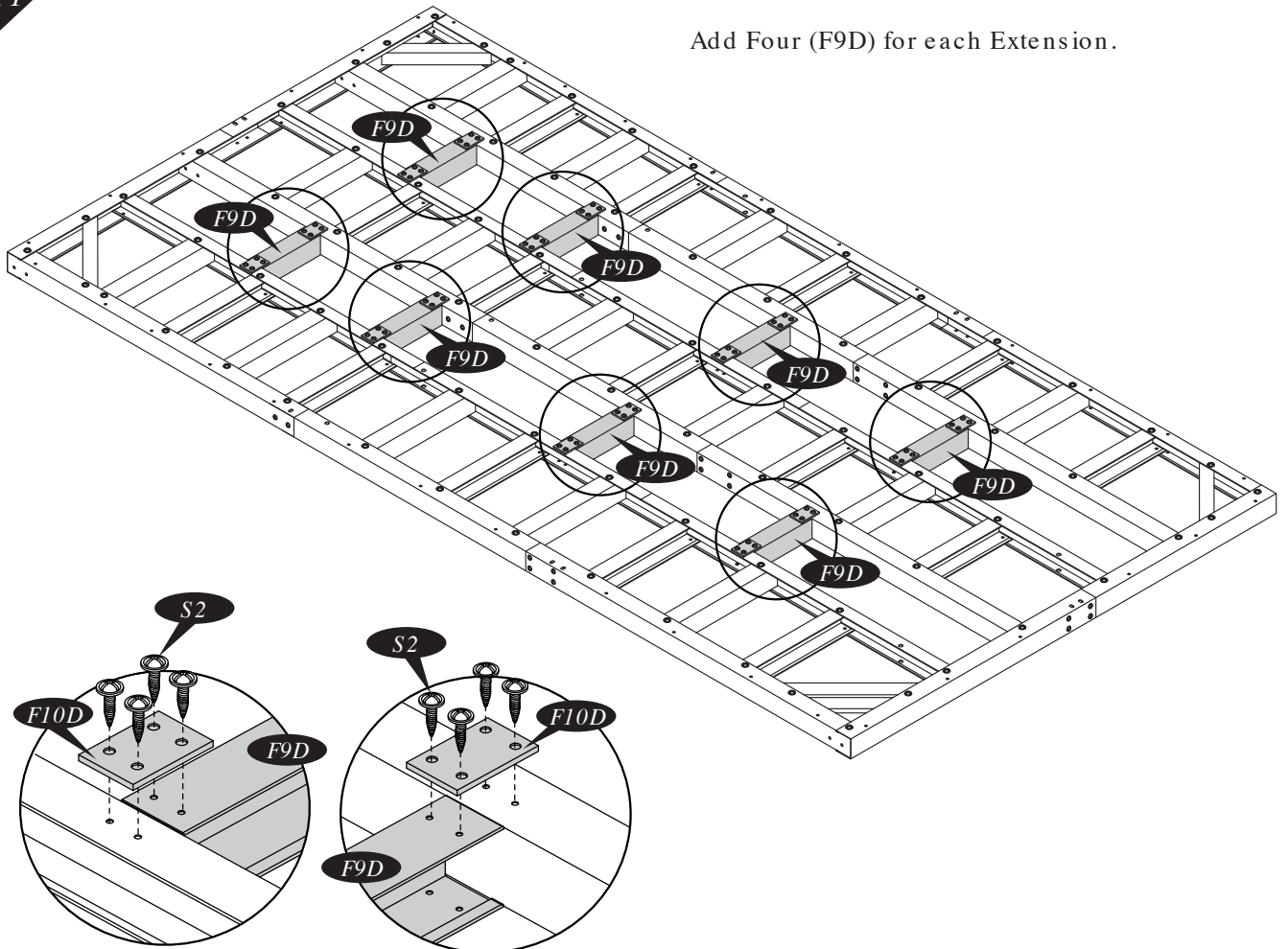
10

Add 12 nos (F8D) for each Extension.



11

Add Four (F9D) for each Extension.

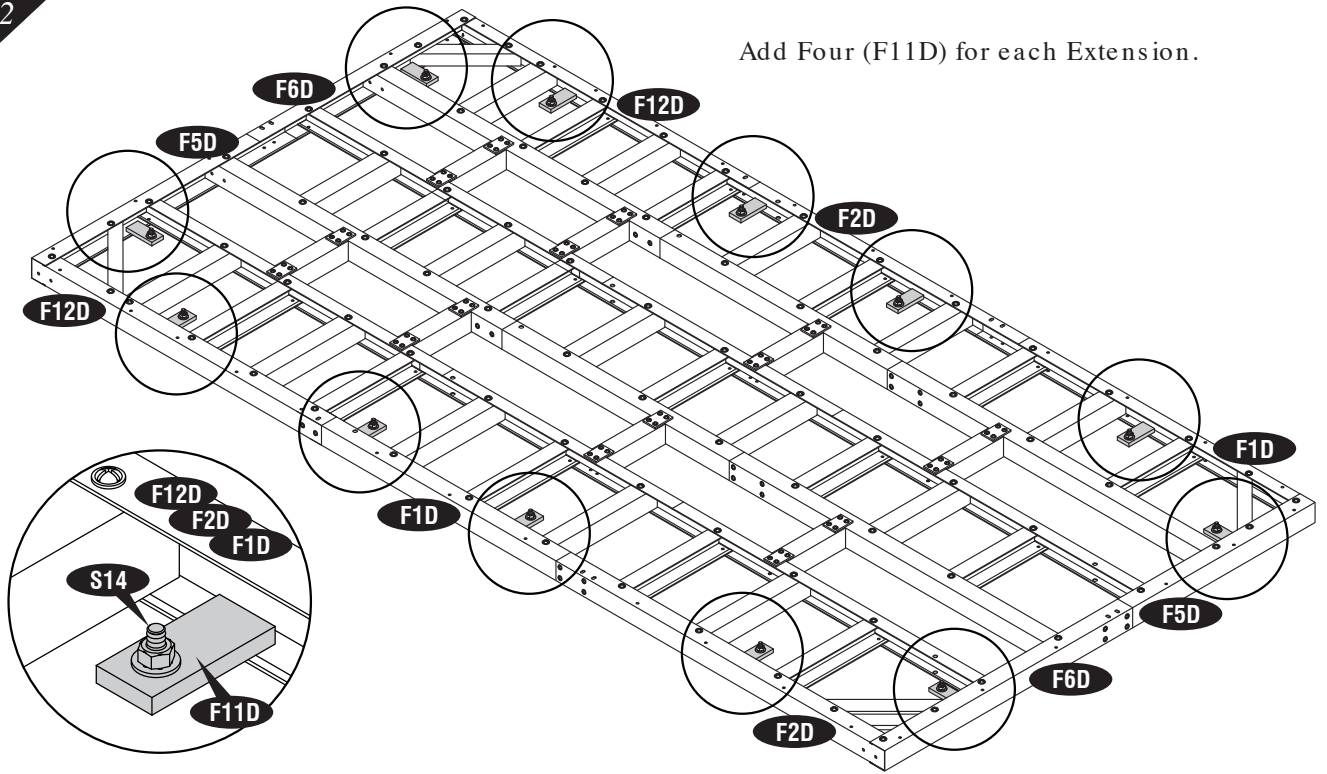


5

IMPORTANT : USE HAND GLOVES TO PREVENT INJURY.

12

Add Four (F11D) for each Extension.



13

Add one (BC5D & BC6D) for each Extension.

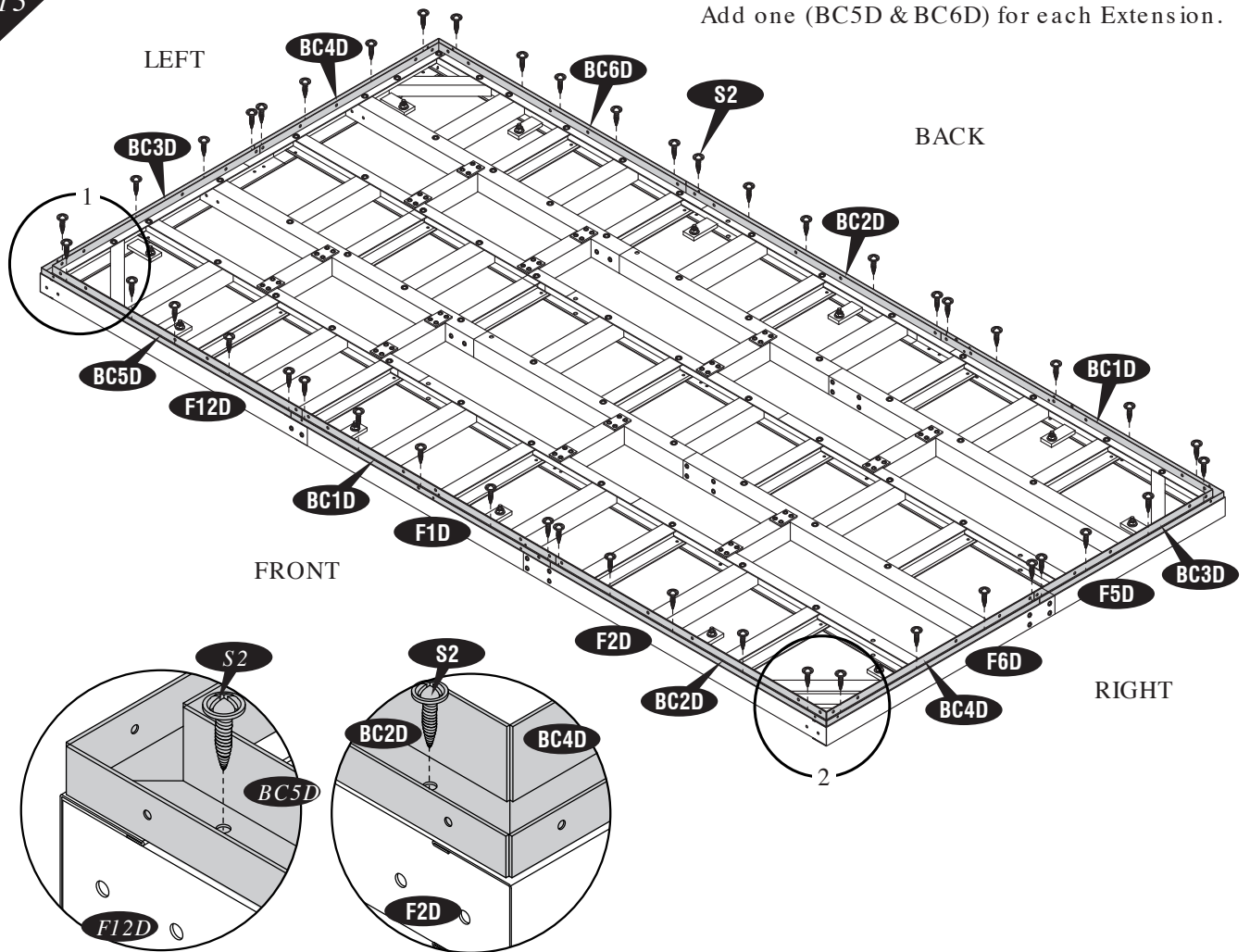


Fig. 1

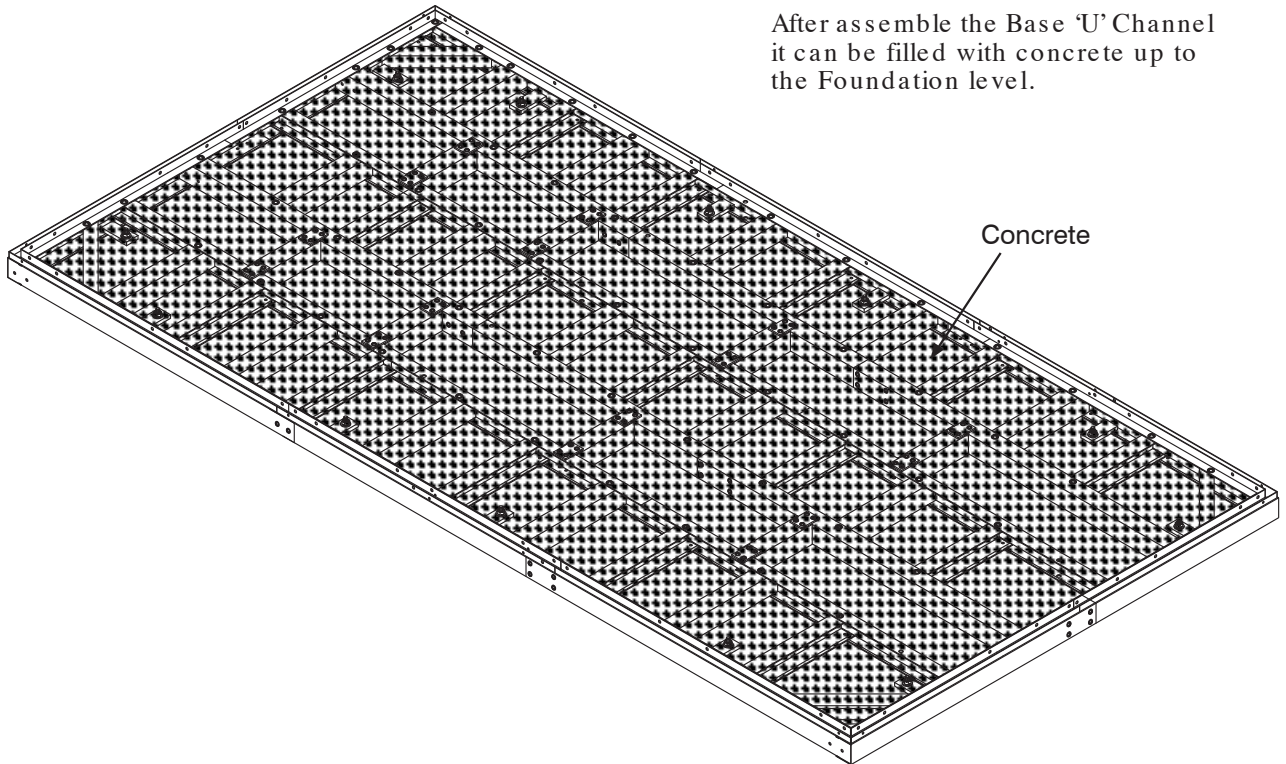
Fig. 2

6

IMPORTANT : USE HAND GLOVES TO PREVENT INJURY.

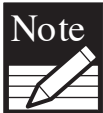
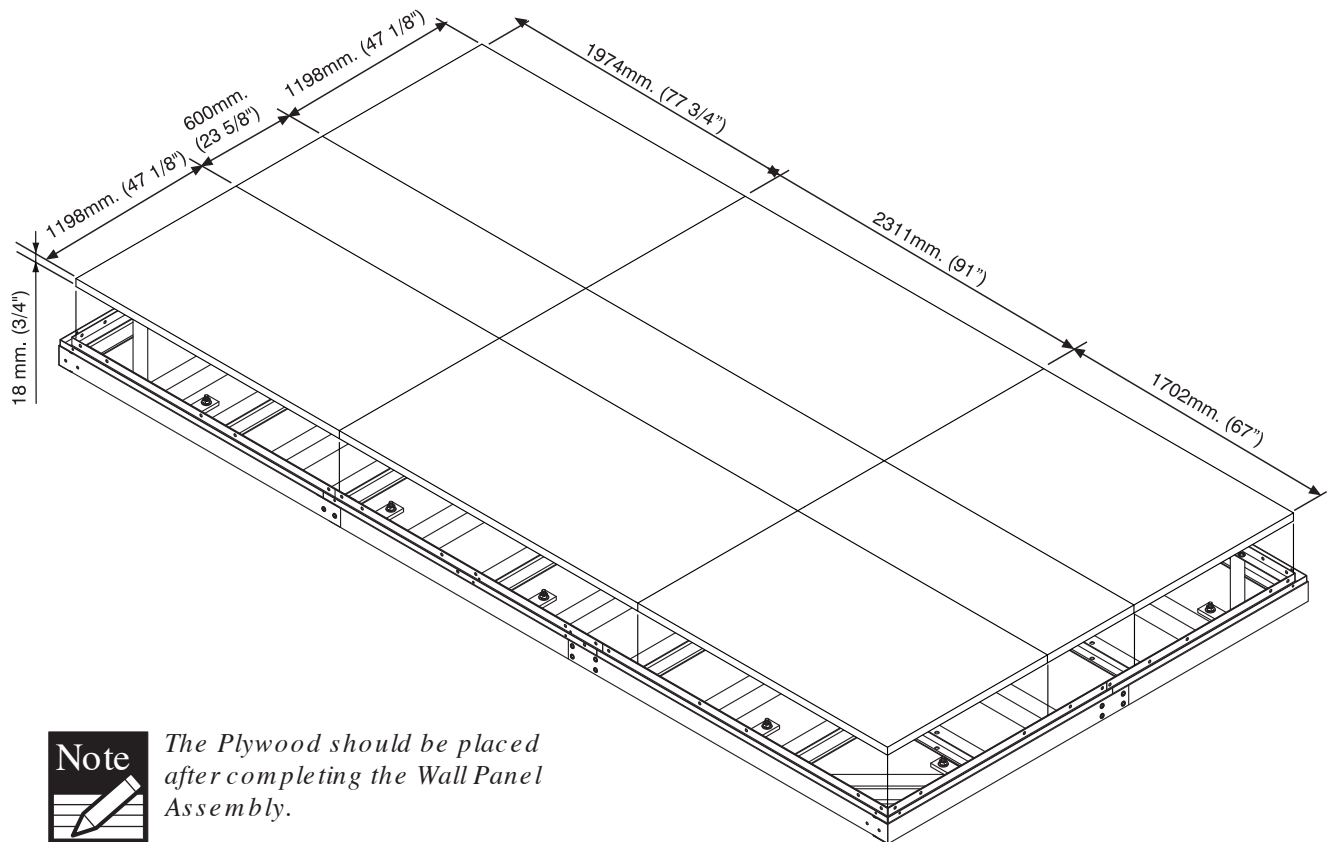
Option - 1 - Concrete

After assemble the Base 'U' Channel it can be filled with concrete up to the Foundation level.



Option - 2-Plywood (Not included)

The Plywood can be placed by this sizes inside the base 'U' Channel.



The Plywood should be placed after completing the Wall Panel Assembly.

B. Wall Assembly

Parts needed:

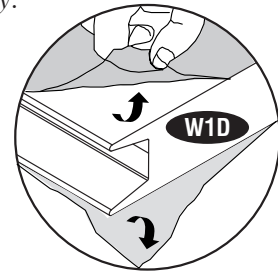
CODE	QTY	CODE	QTY
W1D	12	DCRD	1
W2D	1	DCLD	1
TC1D	1	DSD	1
TC2D	1	DSTD	1
TC3D	1	TS1D	2
TC4D	1	TS2D	2
TC5D	1	TS3D	2
TC6D	1	TS4D	3
TC7D	1	RSD	3
TC8D	1	RSJD	6
CC1	4	S2	228
CC2	2	S12	12
CC3	2		

Parts needed for Each Extension:

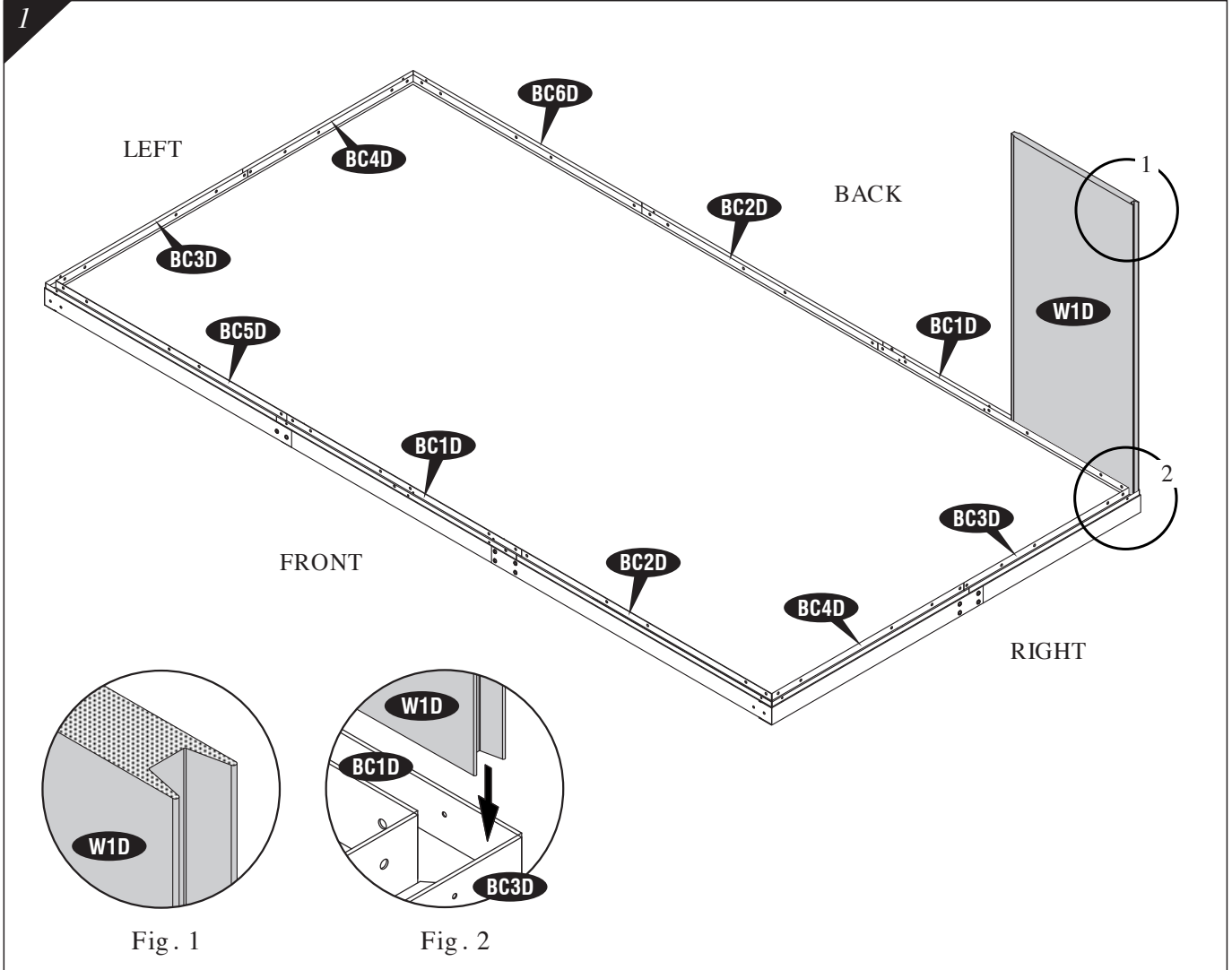
CODE	QTY	CODE	QTY
W1D	4	RSD	2
TCCD	1	RSJD	4
TCMD	1	RSLD	1
TBCD	1	RSRD	1
TBMD	1	S2	51
TCJD	2	S12	8
TSJD	2	S21	16



Remove the protective films before start assembly.



This Insulated Cabin included with one Window Panel (W2D) . This can be fixed in any of the wall positions .



IMPORTANT : USE HAND GLOVES TO PREVENT INJURY.

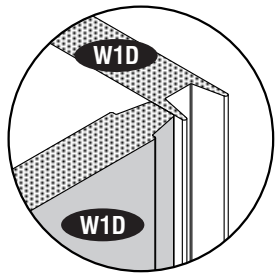


Fig. 1

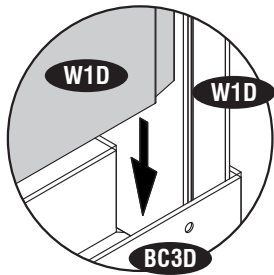


Fig. 2

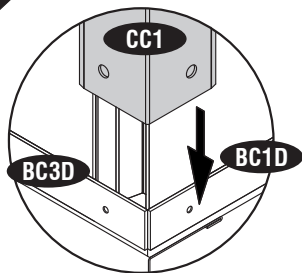
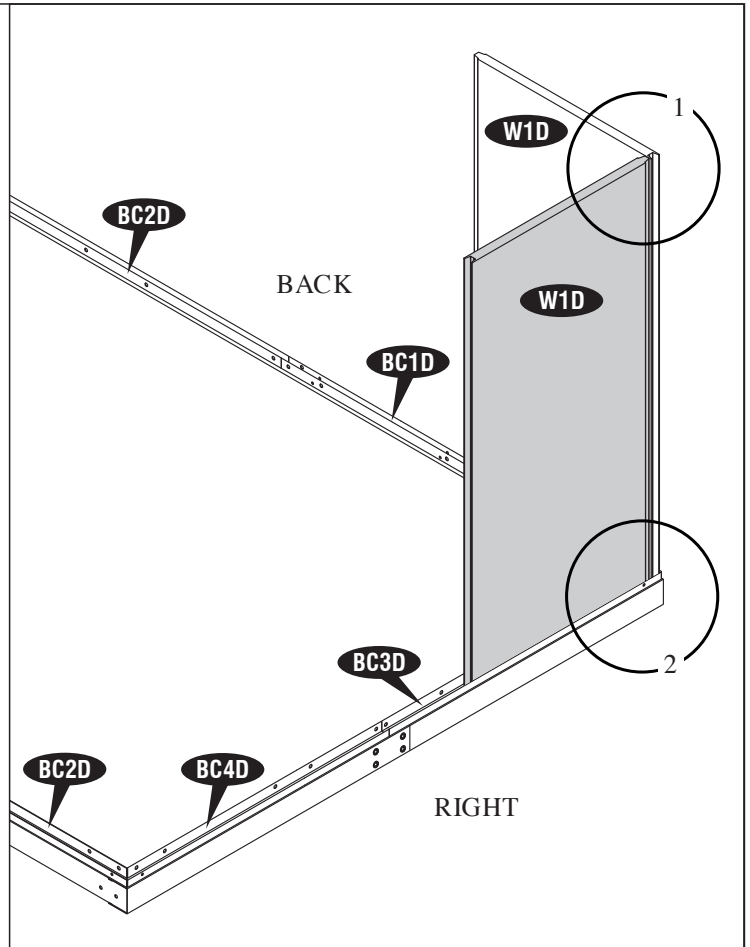


Fig. 1

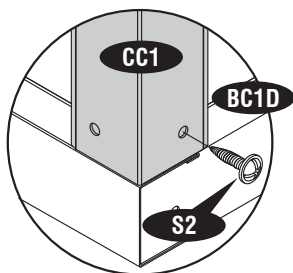


Fig. 2

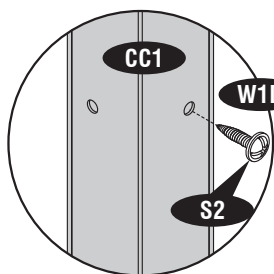


Fig. 3

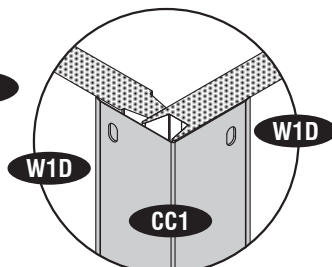
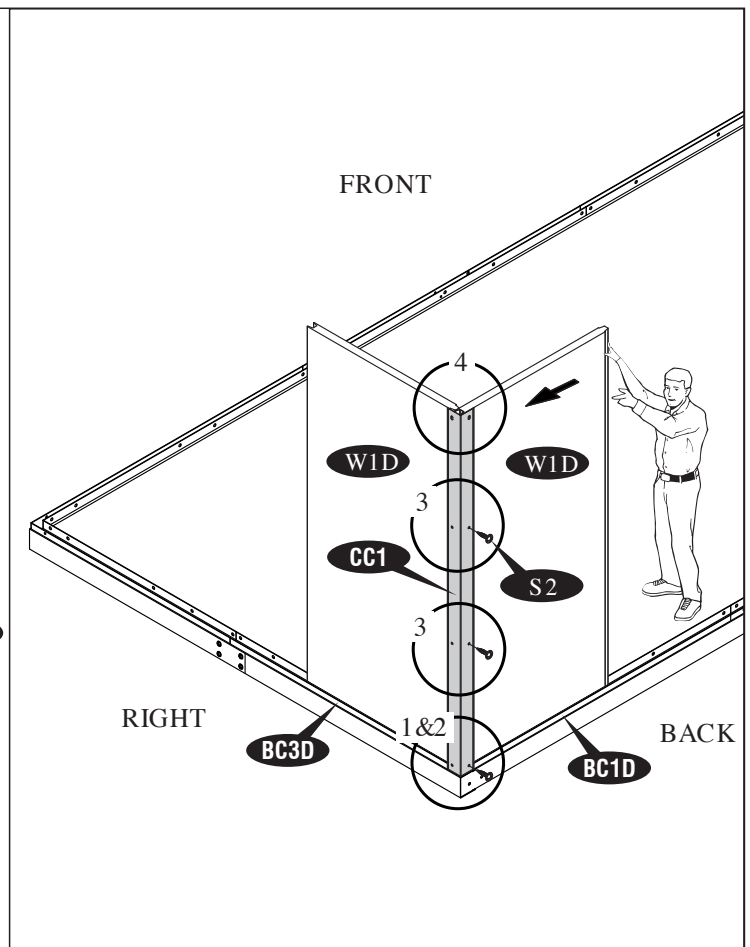


Fig. 4



IMPORTANT : USE HAND GLOVES TO PREVENT INJURY.

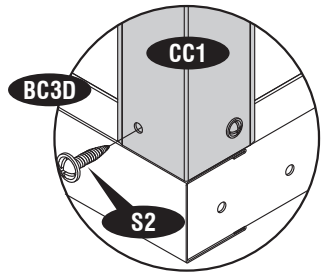


Fig. 1

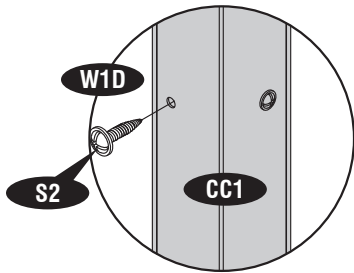


Fig. 2

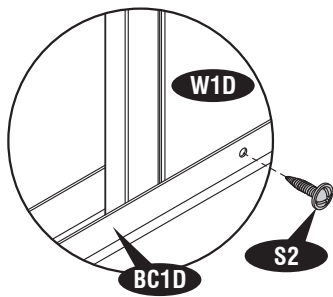
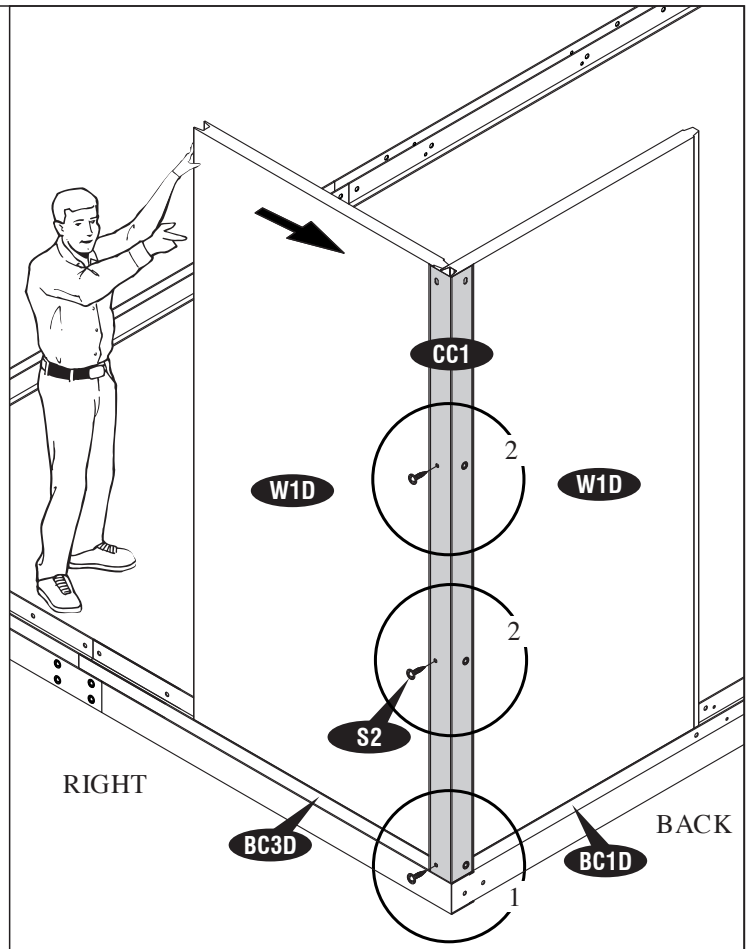
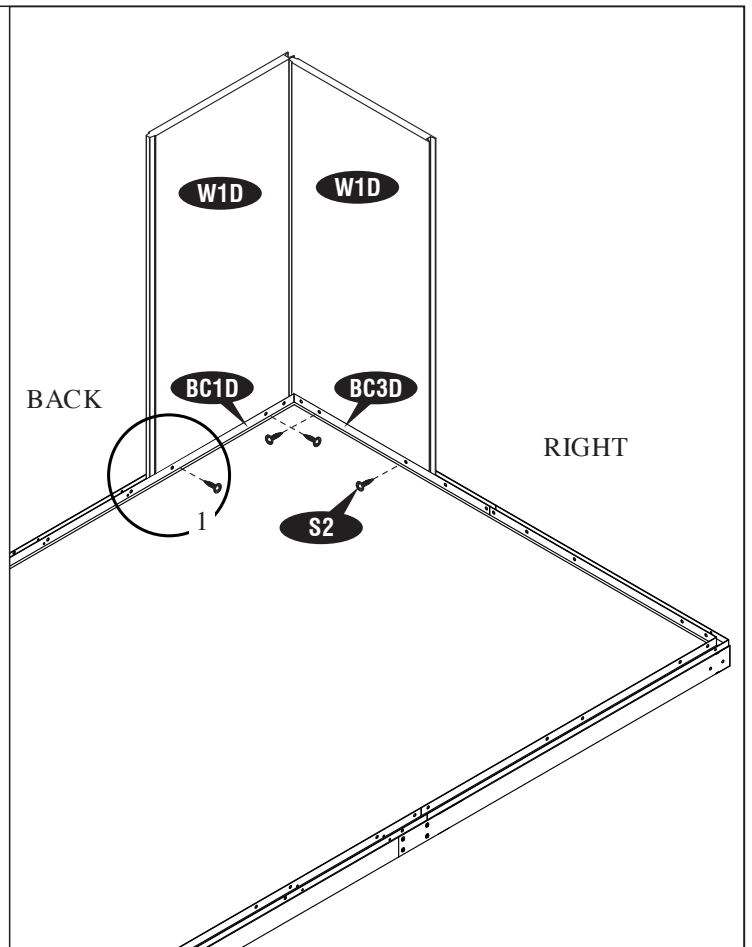


Fig. 1



6

Add Two (W1D) for each Extension.

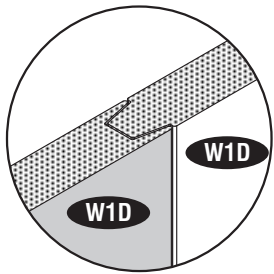


Fig. 1

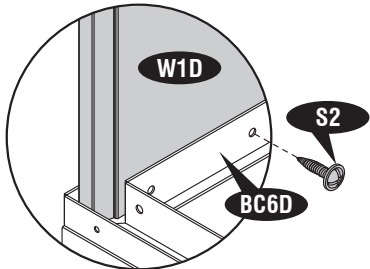
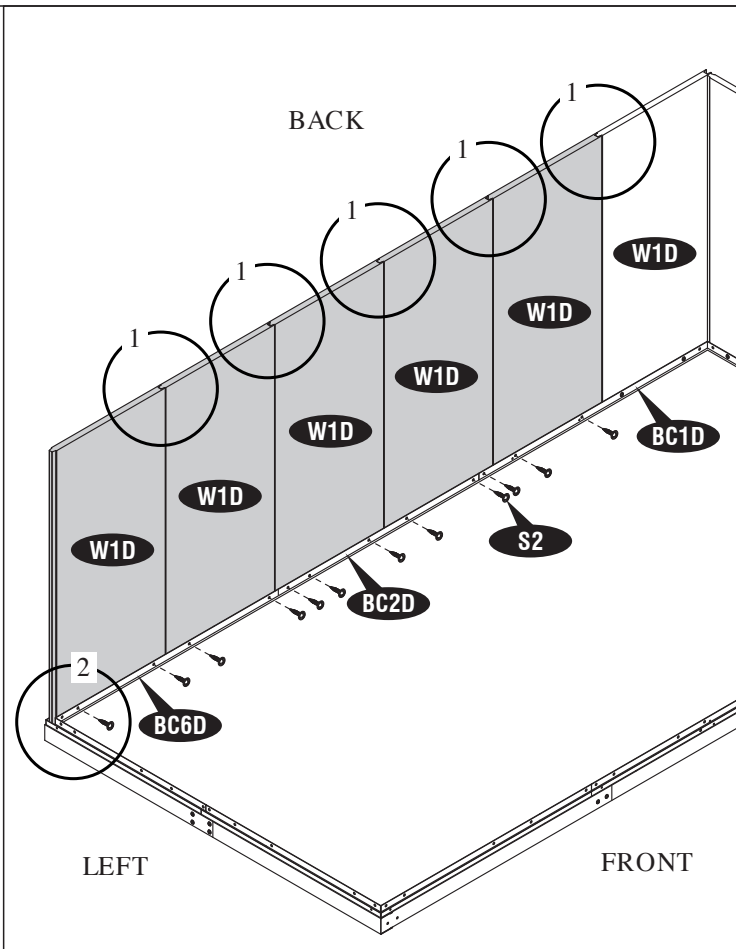


Fig. 2



7

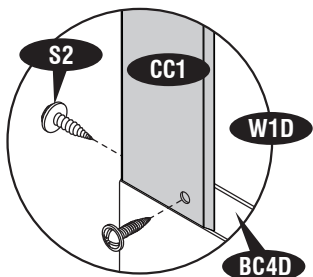


Fig. 1

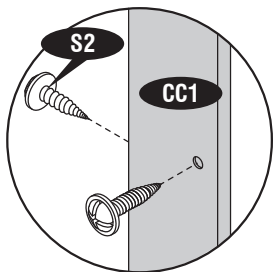


Fig. 2

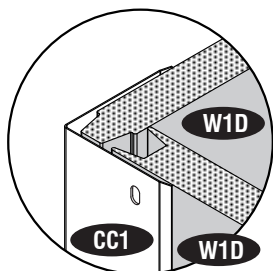
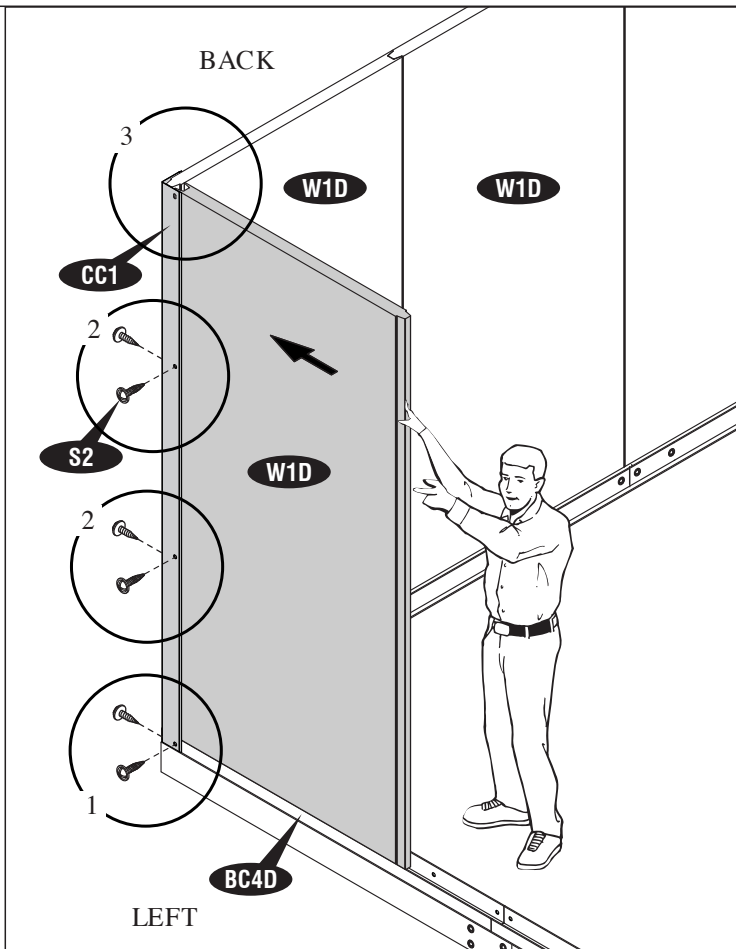


Fig. 3



11

IMPORTANT : USE HAND GLOVES TO PREVENT INJURY.

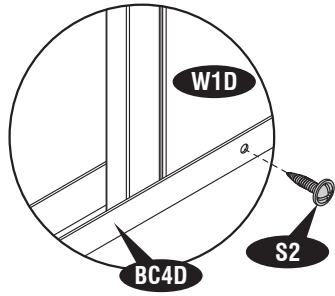


Fig. 1

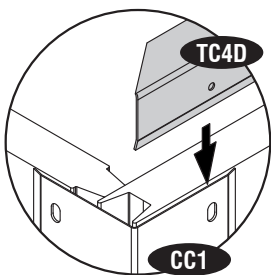
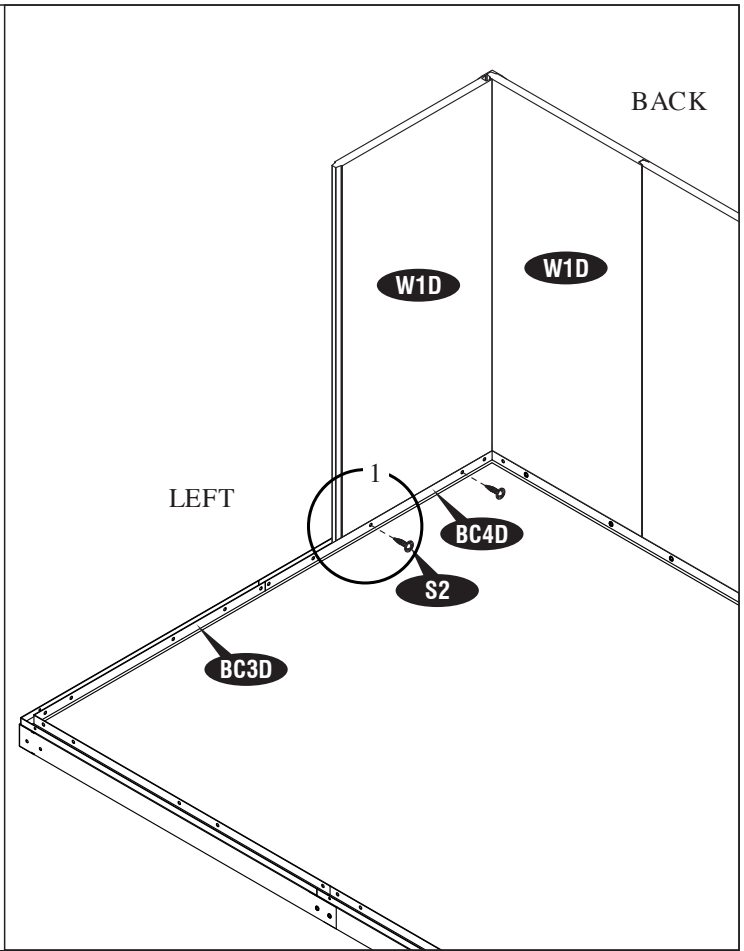


Fig. 1

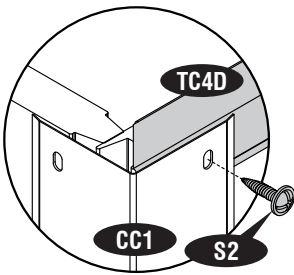


Fig. 2

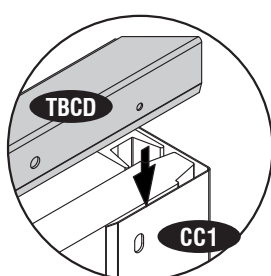


Fig. 3

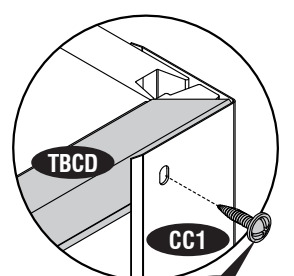
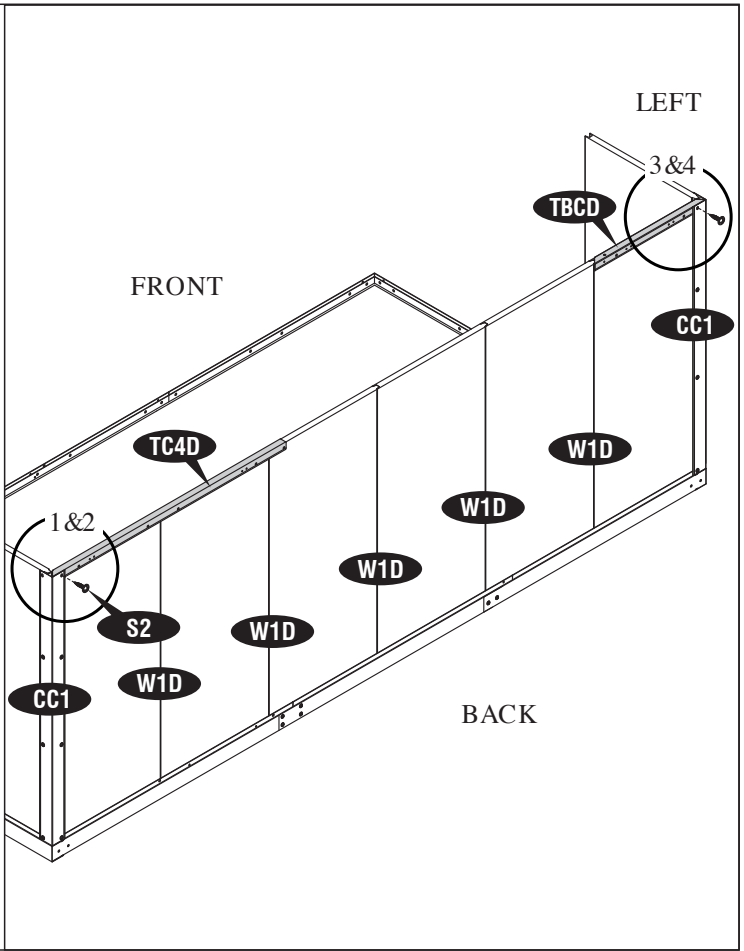
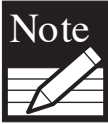


Fig. 4



IMPORTANT : USE HAND GLOVES TO PREVENT INJURY.

10



Push the wall from both side, and make sure the panels are fully inserted.

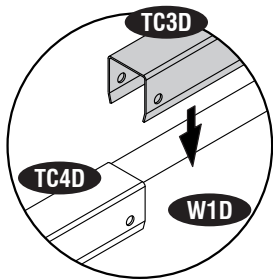


Fig. 1

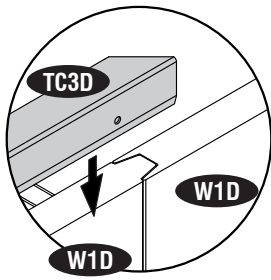


Fig. 2

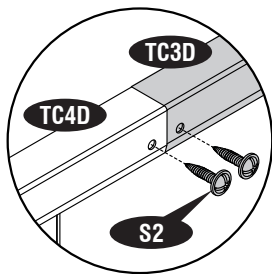
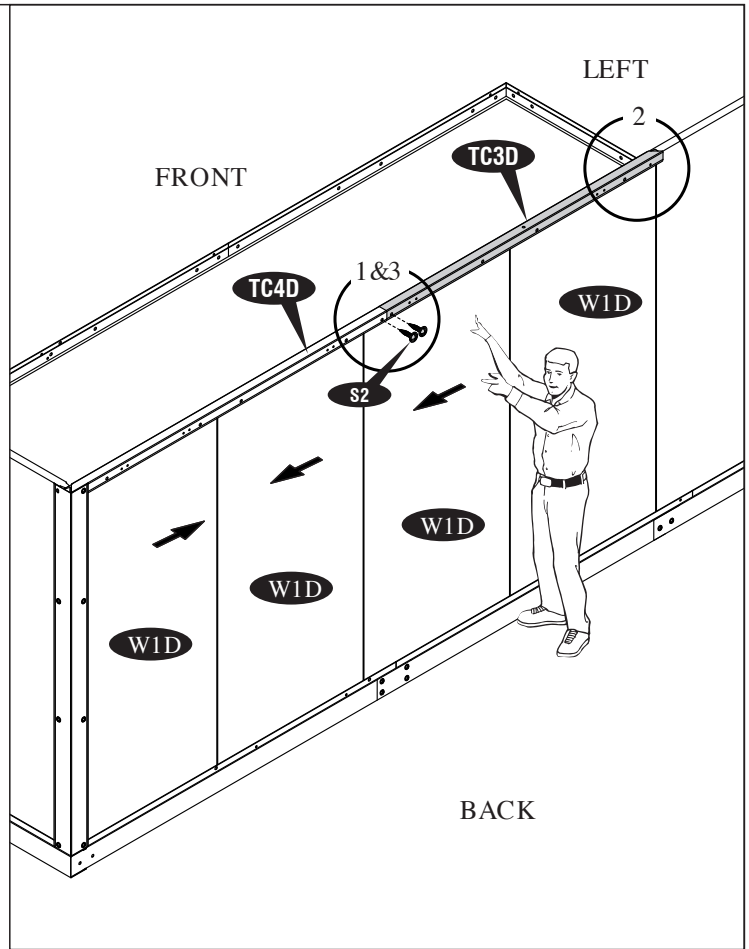
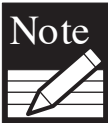


Fig. 3



11



Push the wall from both side, and make sure the panels are fully inserted.

Add one (TBMD & TBCD) & Two (TCJD) for each Extension.

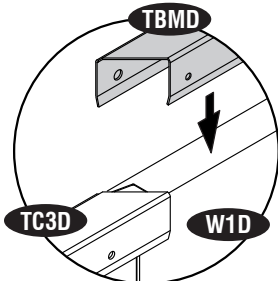


Fig. 1

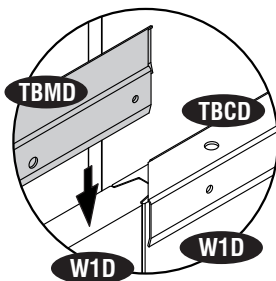


Fig. 2

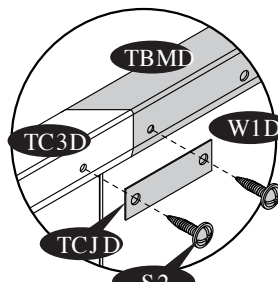


Fig. 3

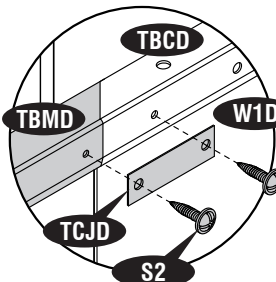
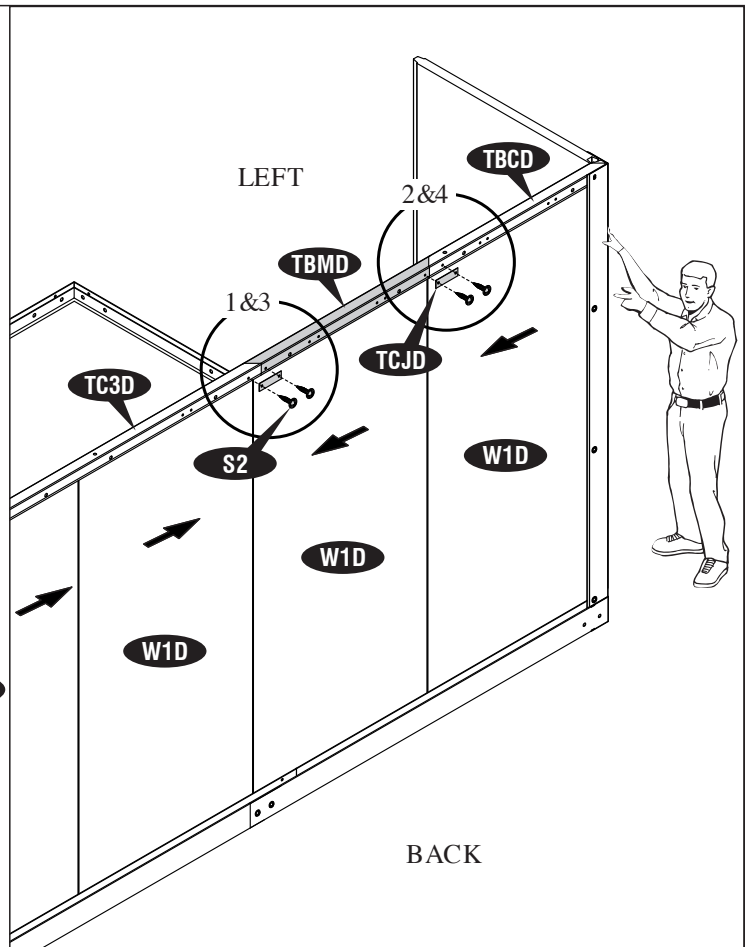


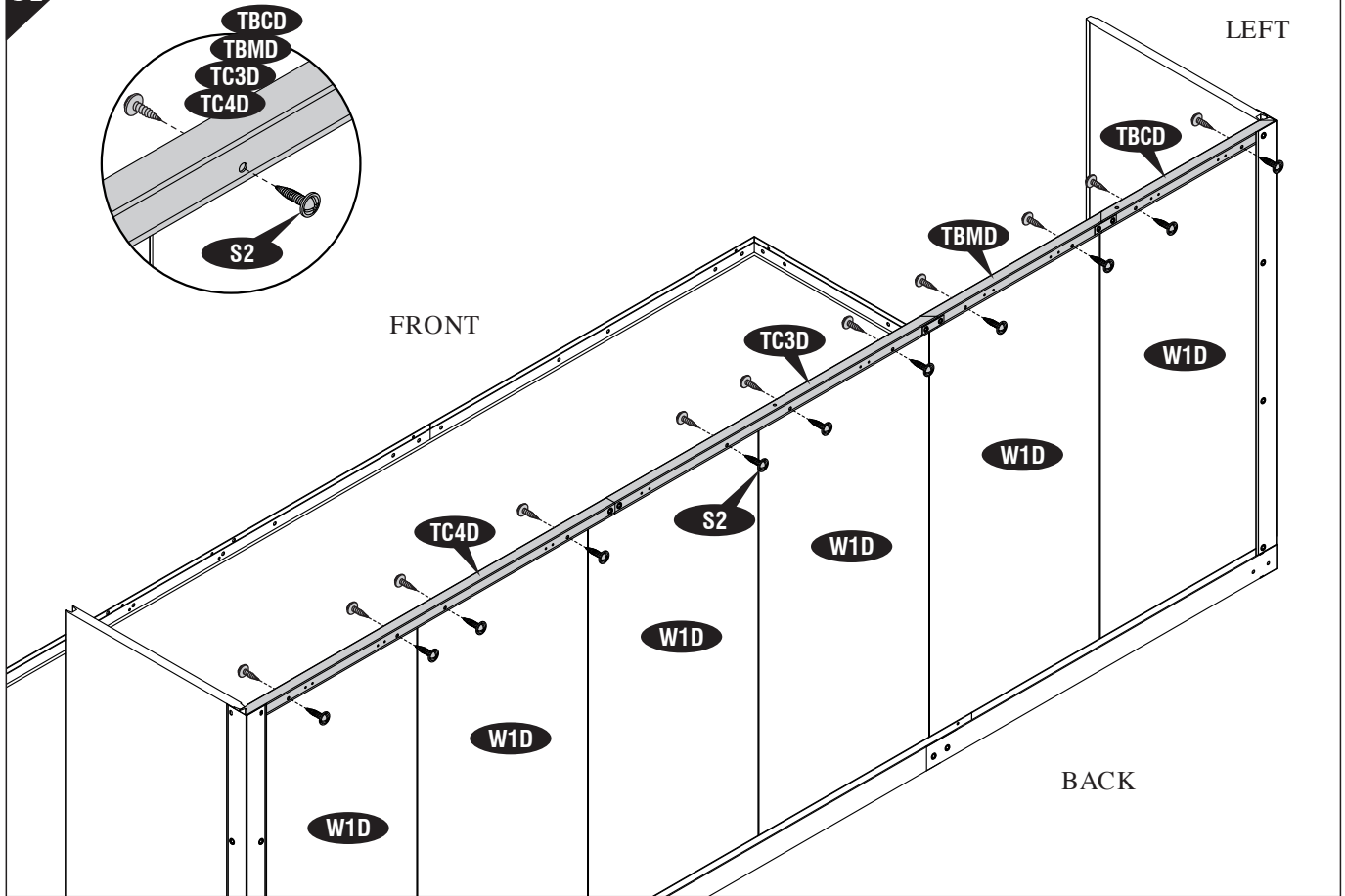
Fig. 4



13

IMPORTANT : USE HAND GLOVES TO PREVENT INJURY.

12



13

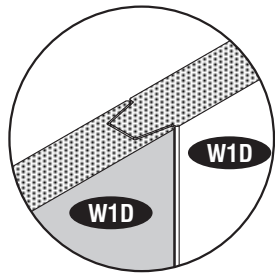


Fig. 1

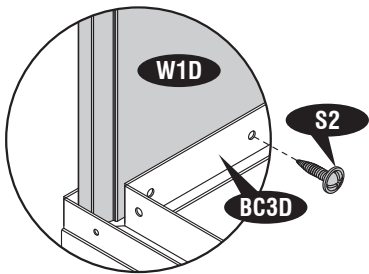
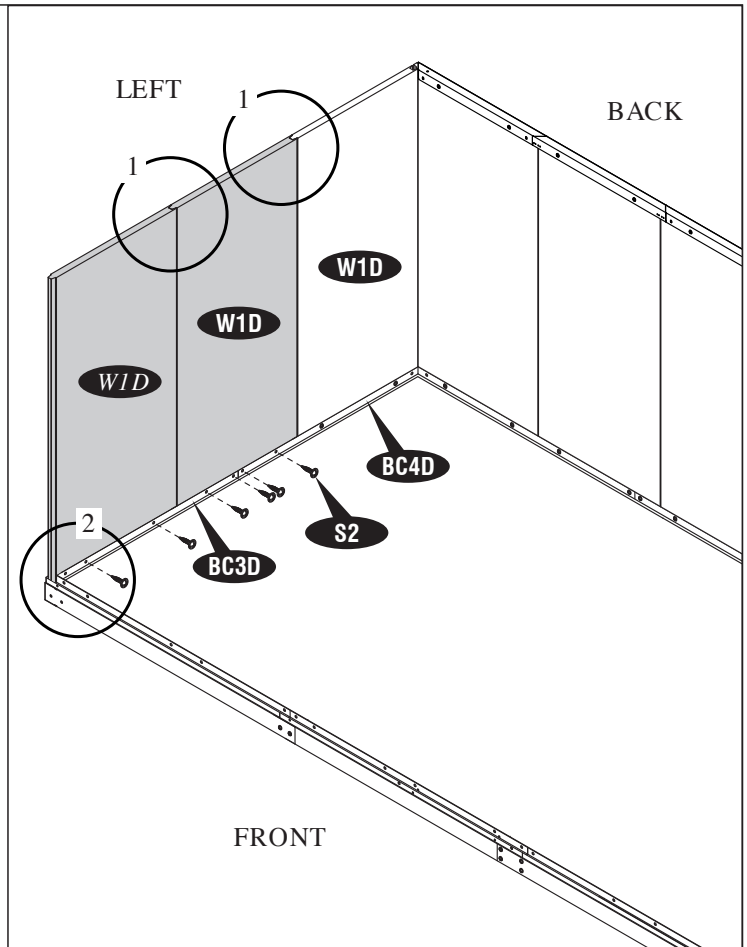


Fig. 2



14

IMPORTANT : USE HAND GLOVES TO PREVENT INJURY.

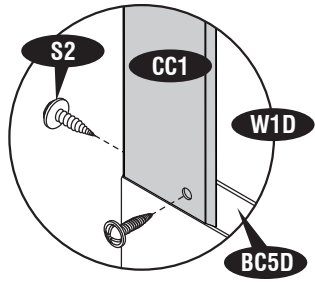


Fig. 1

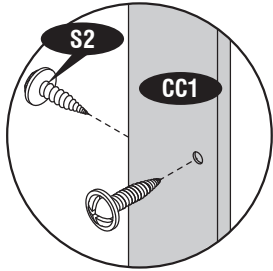


Fig. 2

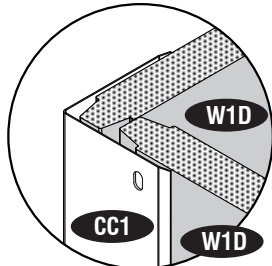
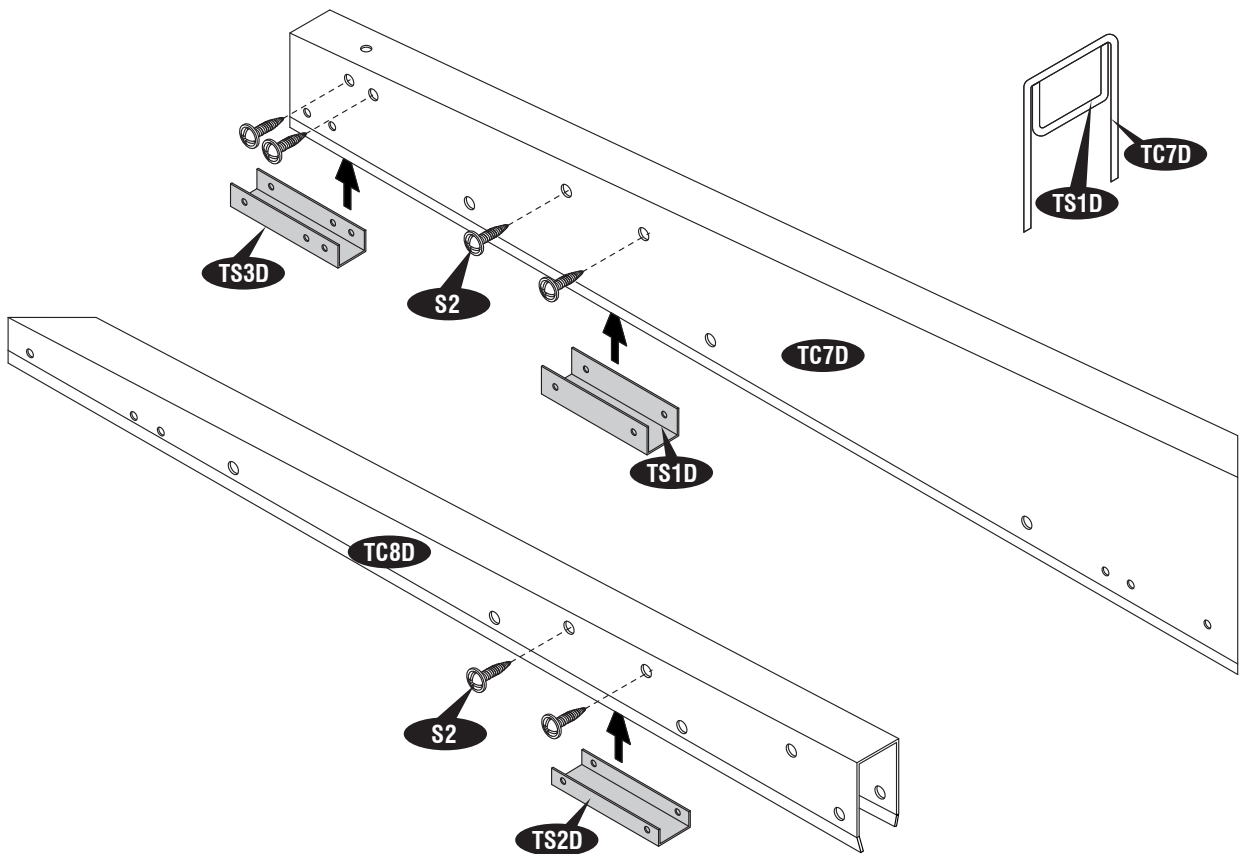
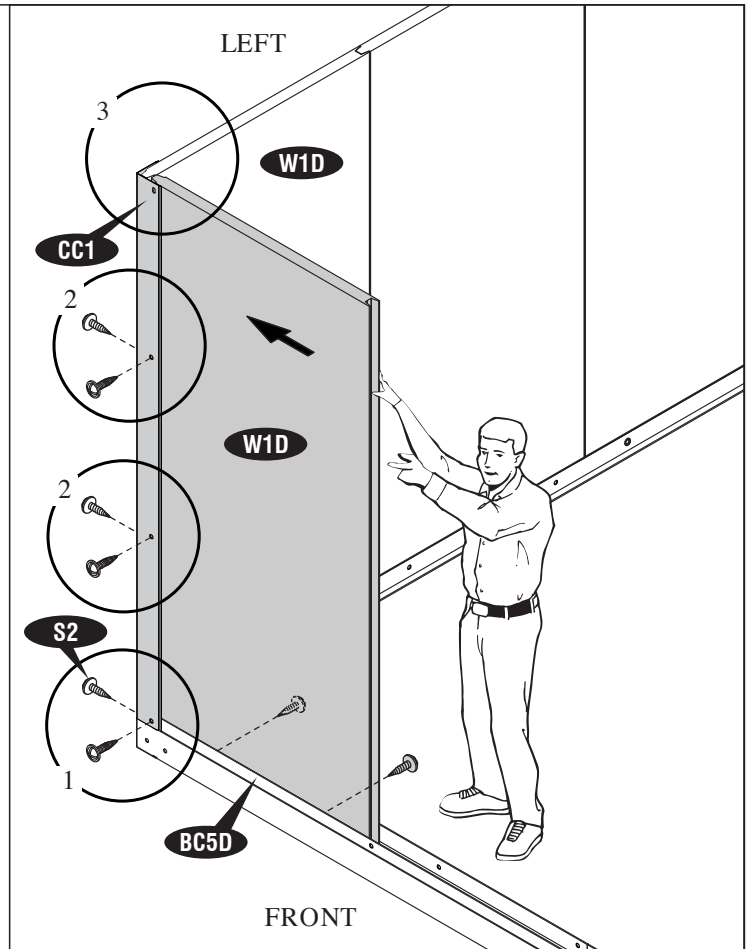


Fig. 3



IMPORTANT : USE HAND GLOVES TO PREVENT INJURY.

16

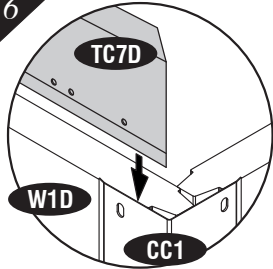


Fig. 1

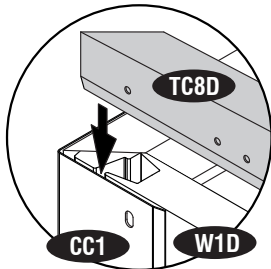


Fig. 2

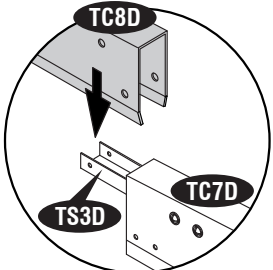


Fig. 3

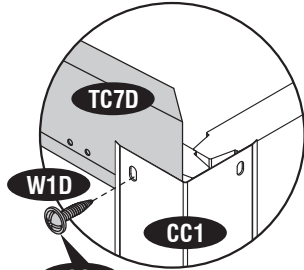


Fig. 4

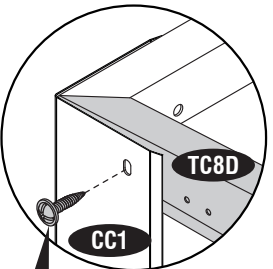


Fig. 5

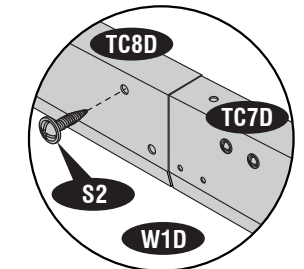
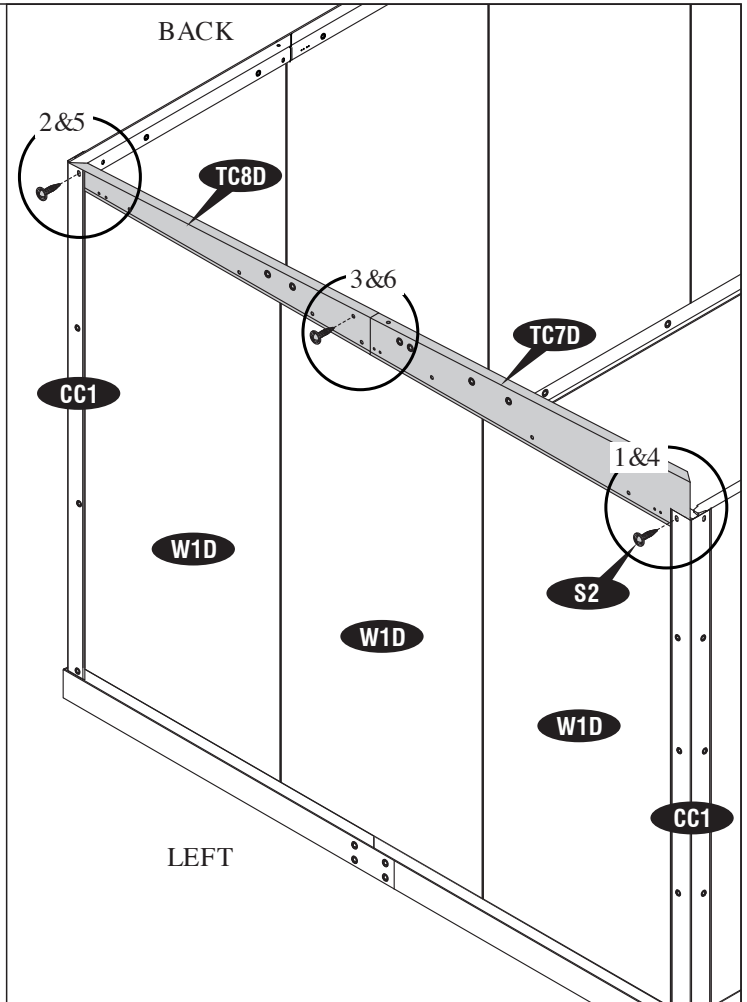


Fig. 6



17

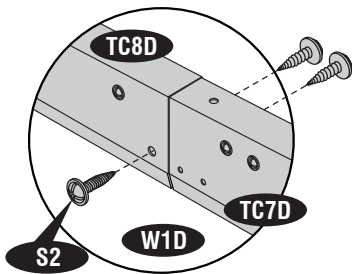


Fig. 1

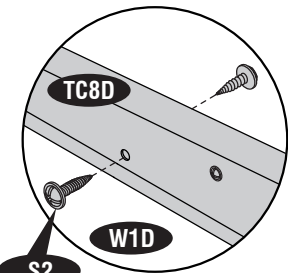
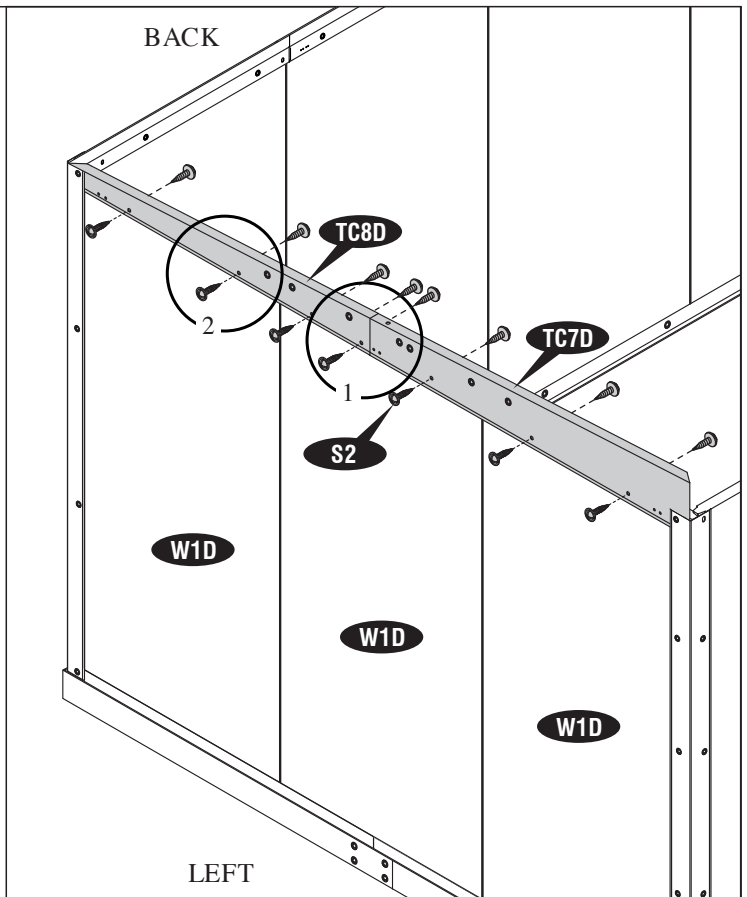


Fig. 2



16

IMPORTANT : USE HAND GLOVES TO PREVENT INJURY.

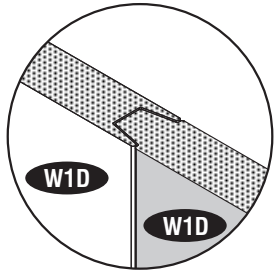


Fig. 1

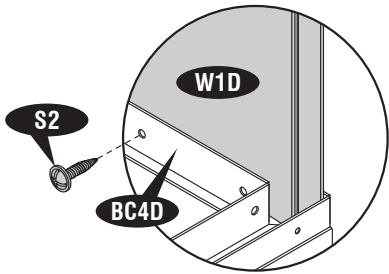


Fig. 2

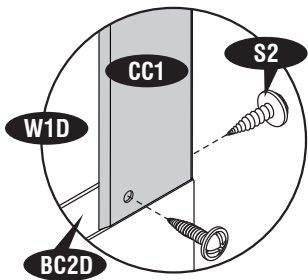
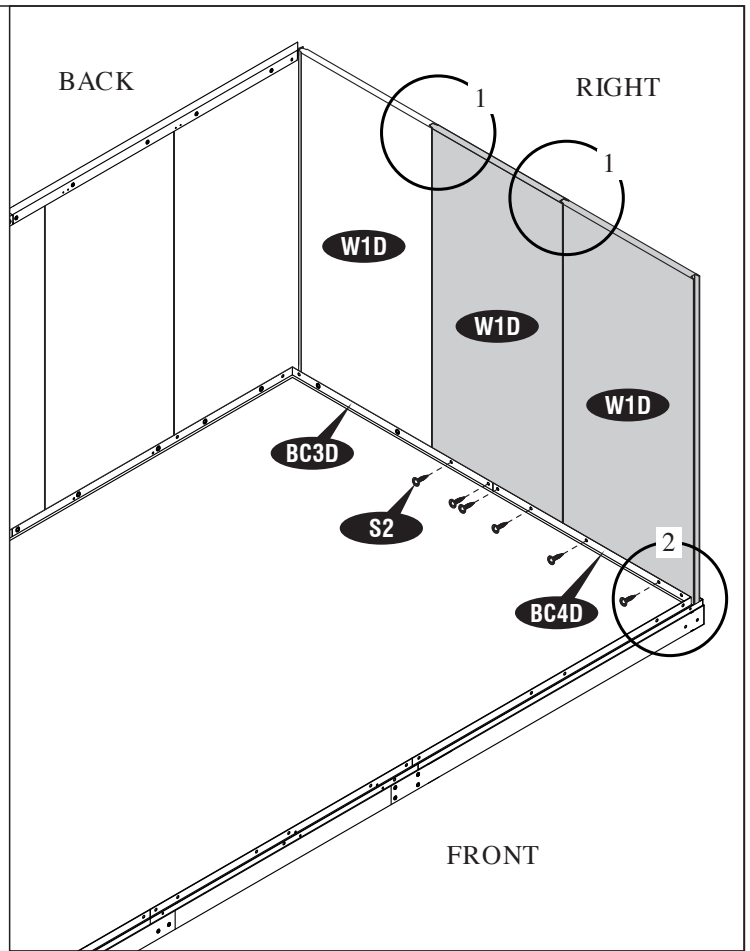


Fig. 1

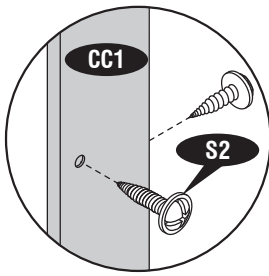


Fig. 2

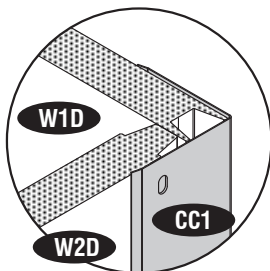
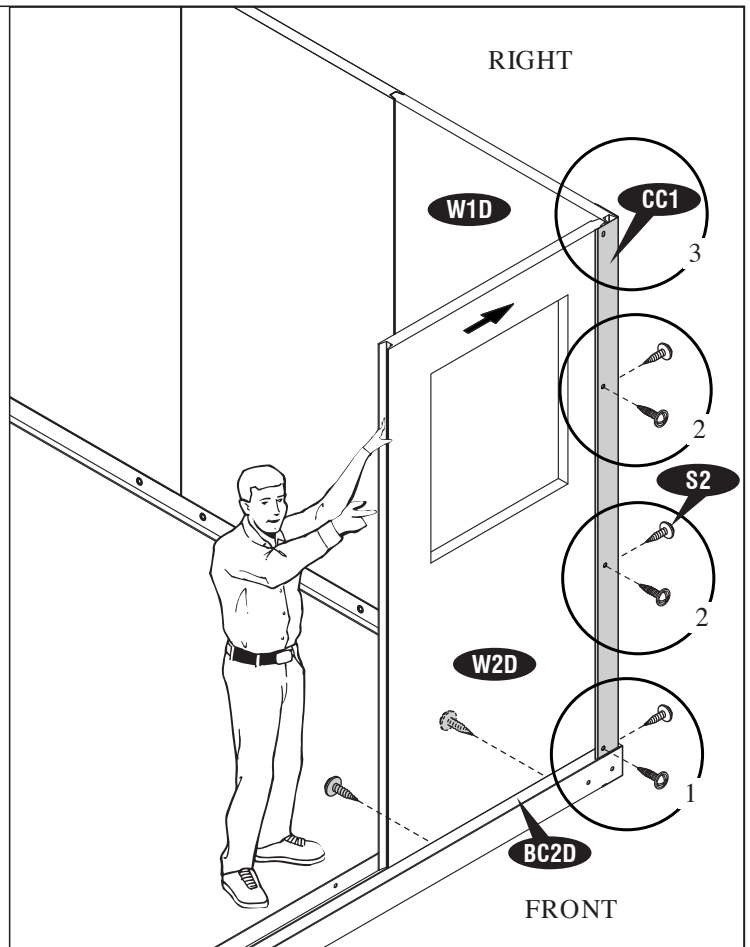


Fig. 3



IMPORTANT : USE HAND GLOVES TO PREVENT INJURY.

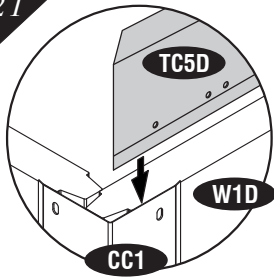
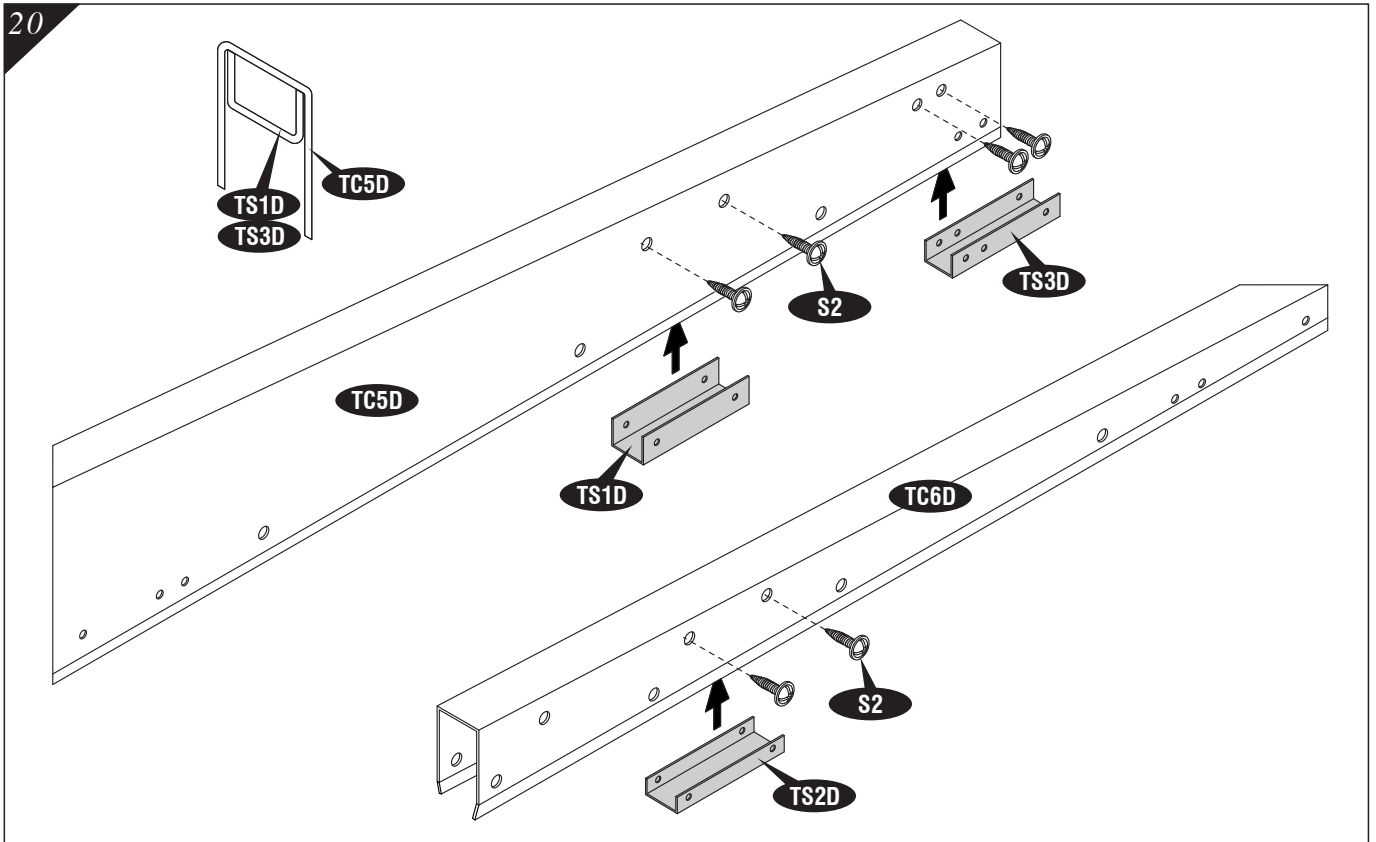


Fig. 1

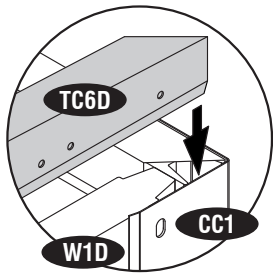


Fig. 2

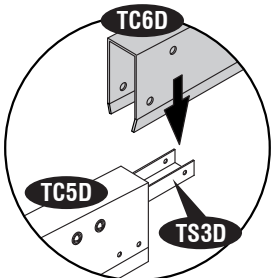


Fig. 3

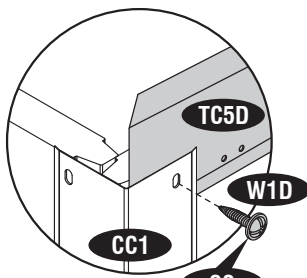


Fig. 4

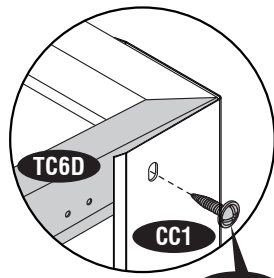


Fig. 5

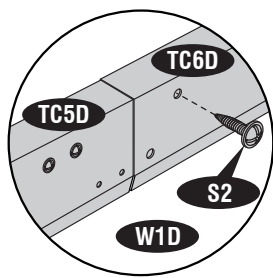
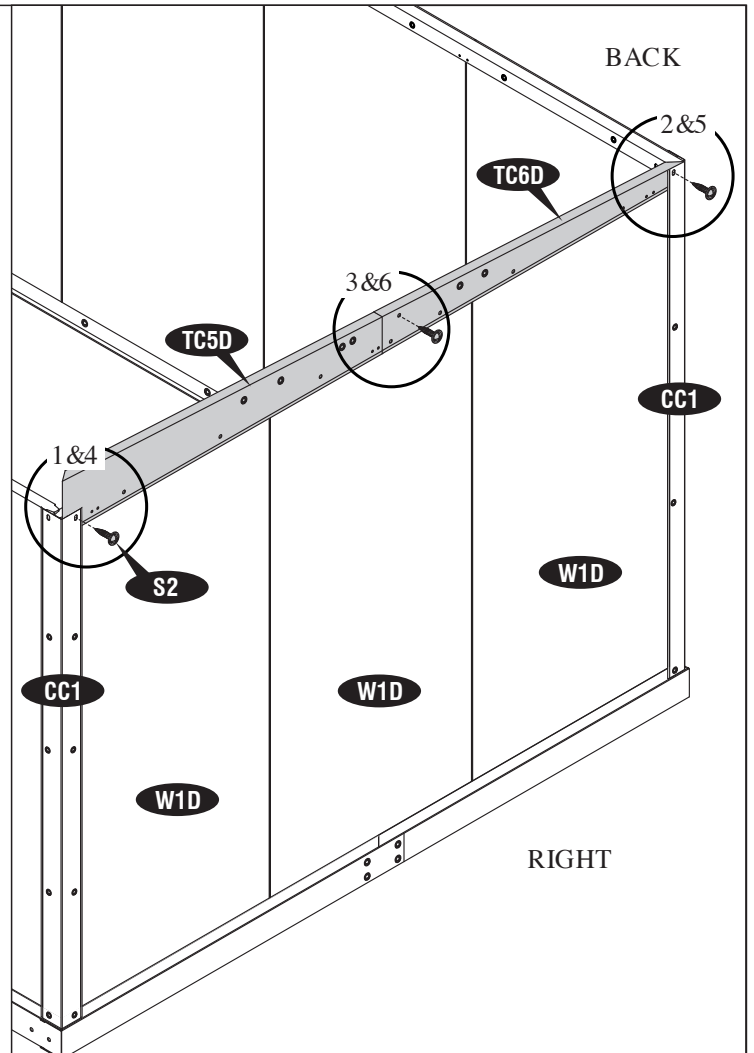


Fig. 6



IMPORTANT : USE HAND GLOVES TO PREVENT INJURY.

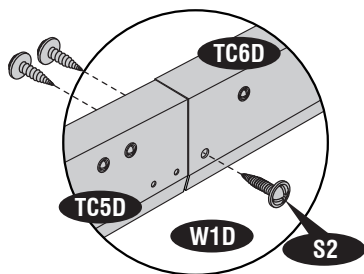
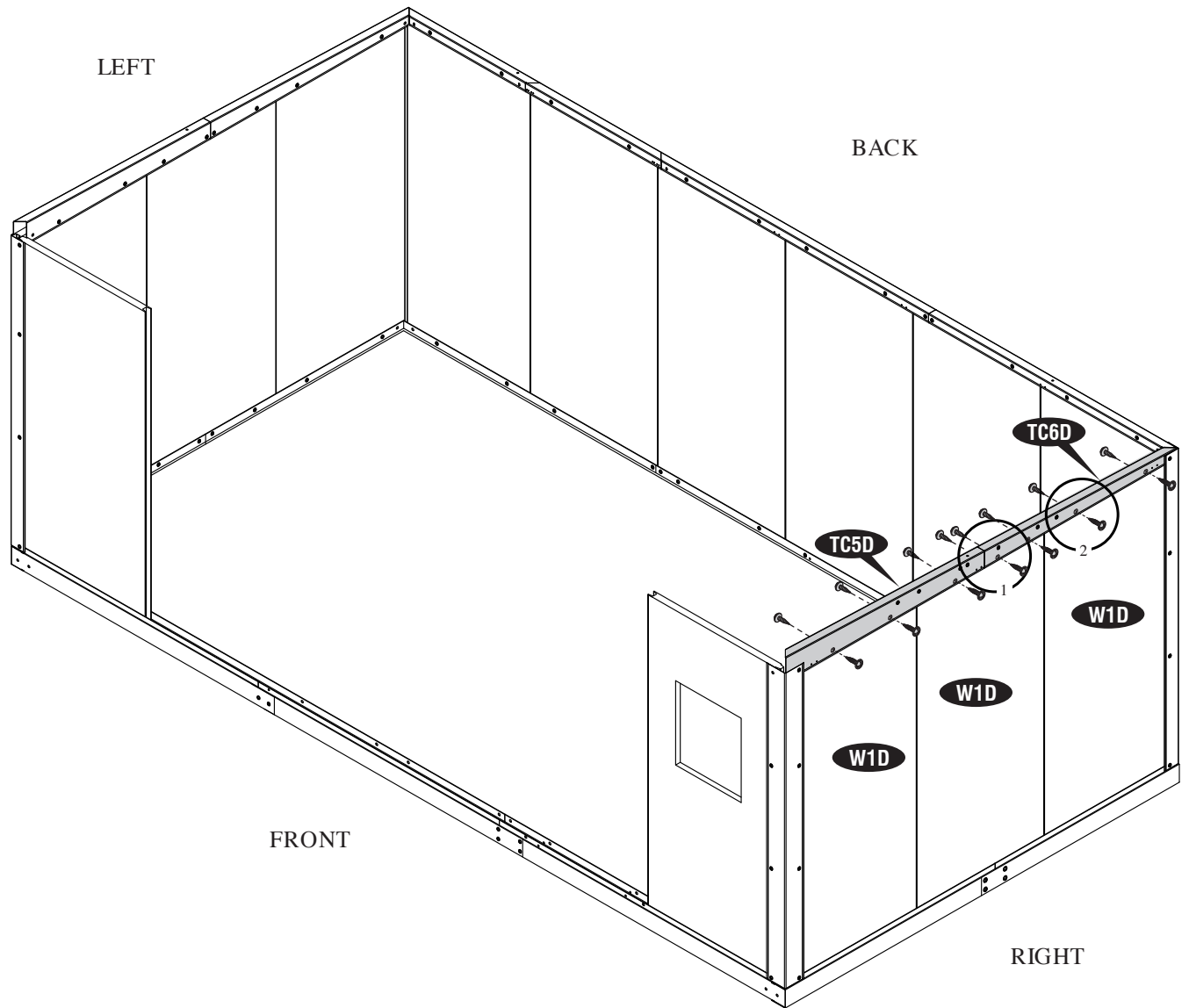


Fig. 1

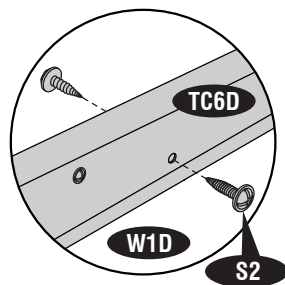
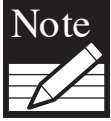
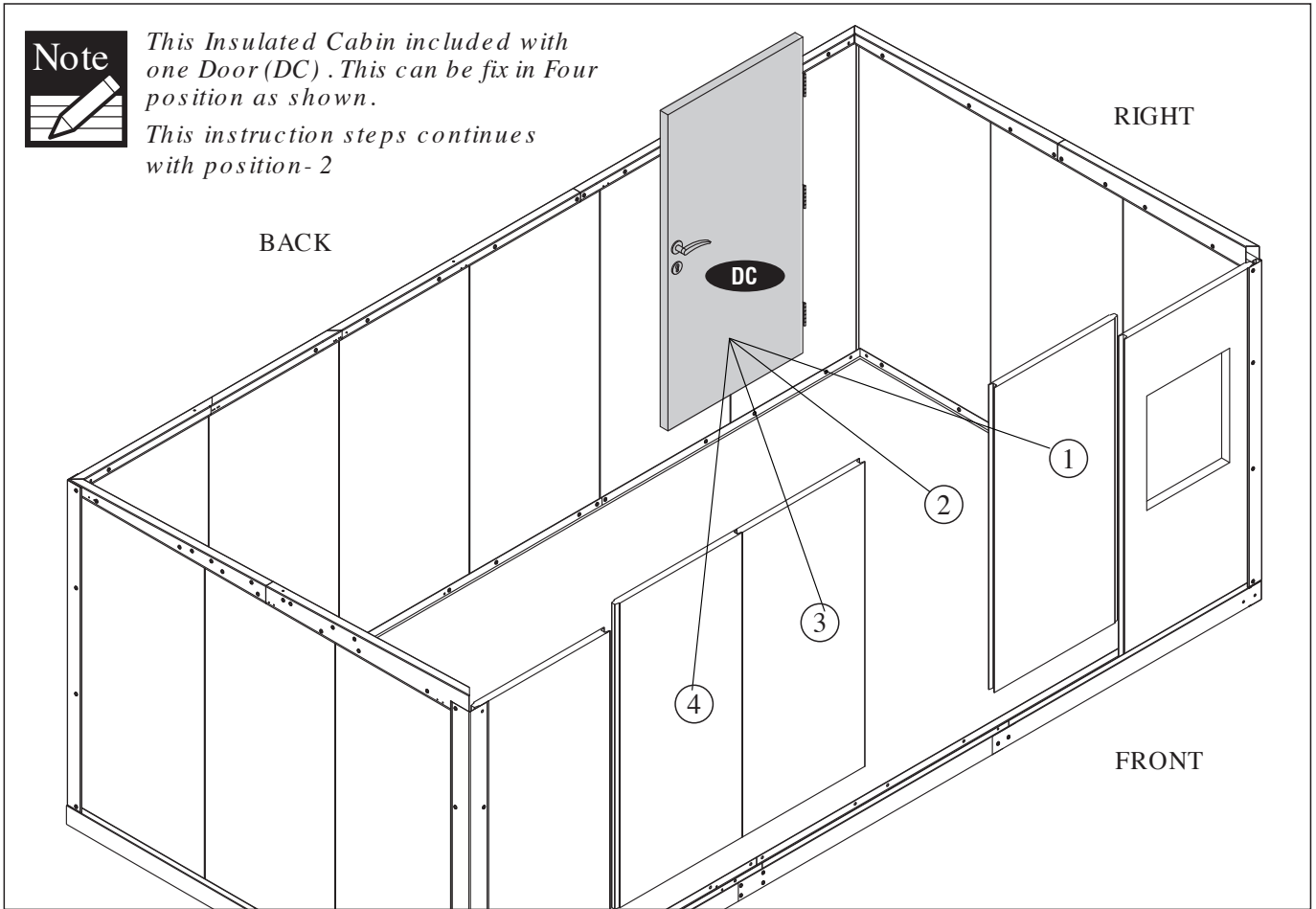


Fig. 2

IMPORTANT : USE HAND GLOVES TO PREVENT INJURY.



This Insulated Cabin included with one Door (DC) . This can be fix in Four position as shown.
This instruction steps continues with position- 2



23

Add Two (W1D) for each Extension.

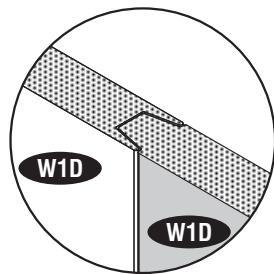


Fig. 1

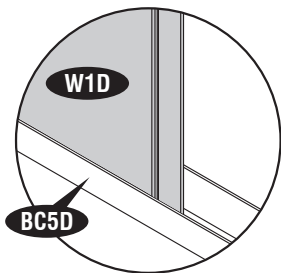
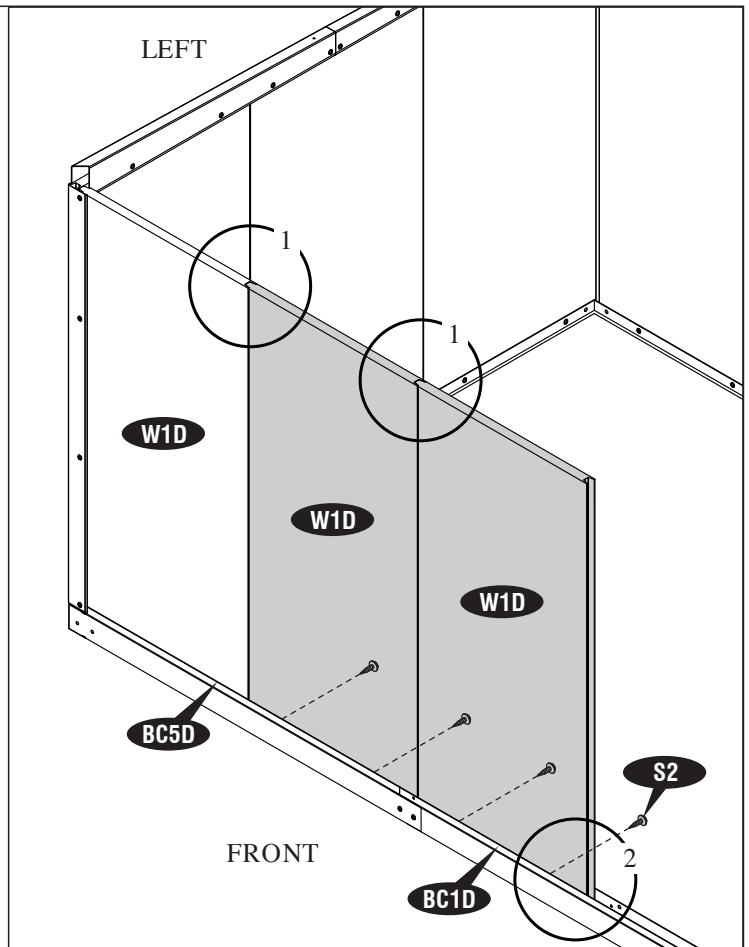


Fig. 2



20

IMPORTANT : USE HAND GLOVES TO PREVENT INJURY.

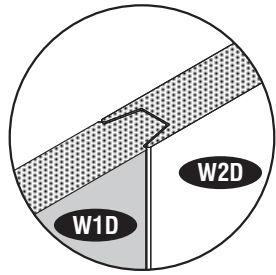


Fig. 1

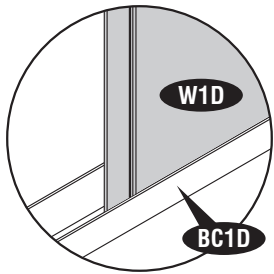
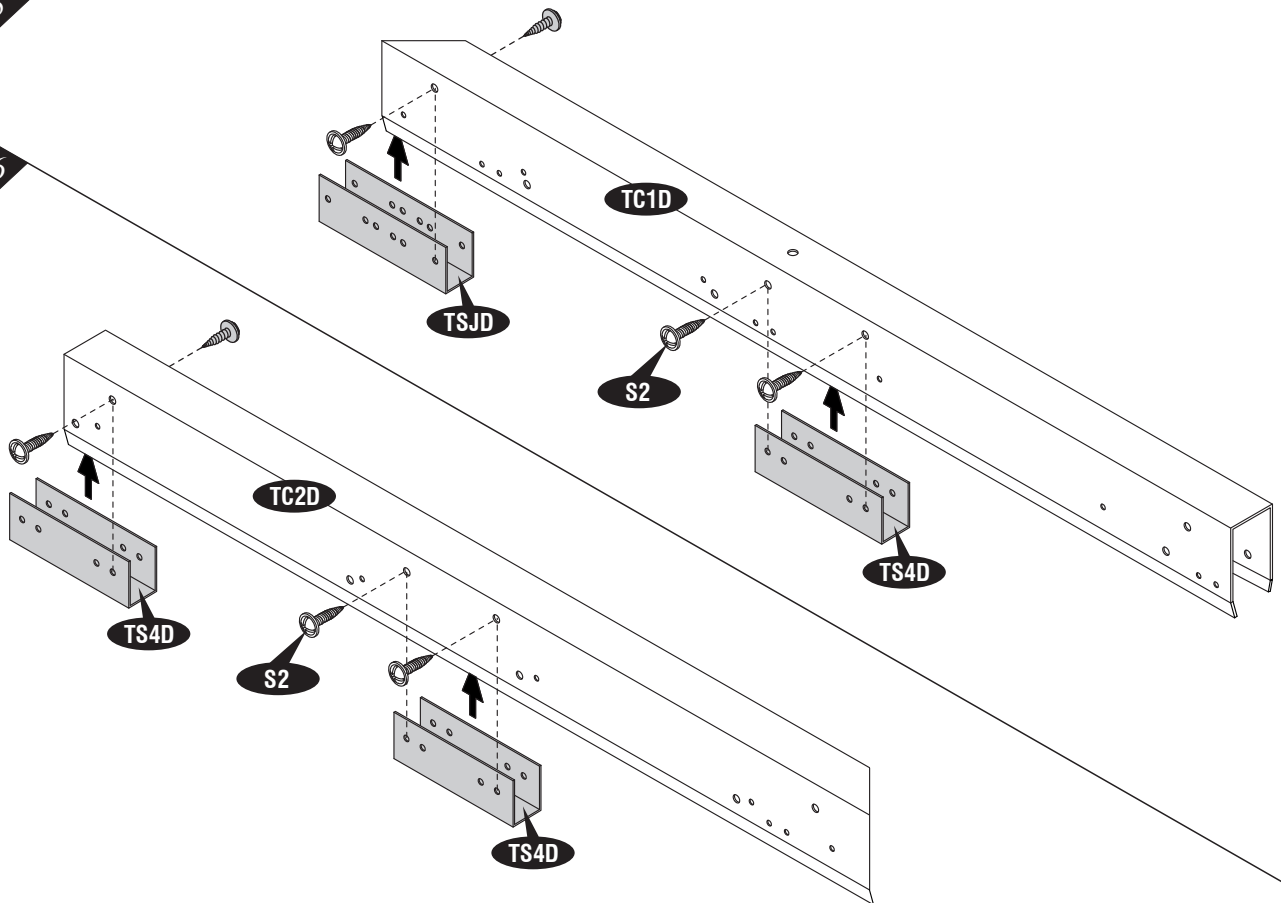
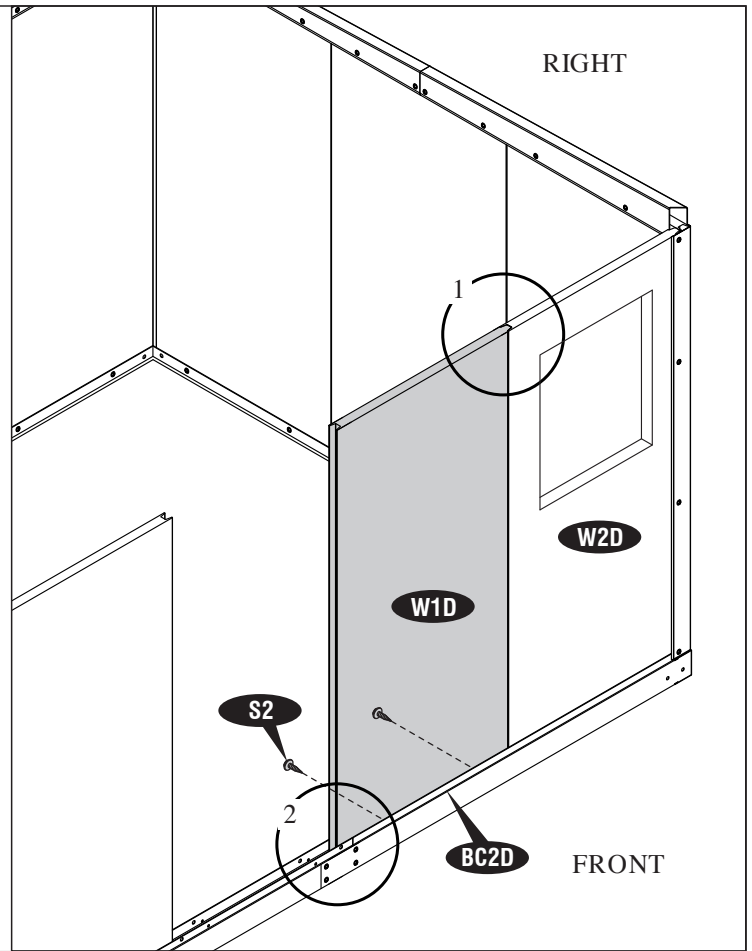


Fig. 2



IMPORTANT : USE HAND GLOVES TO PREVENT INJURY.

Add One (TCCD & TSJD) for each Extension.

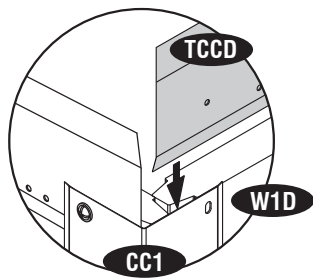
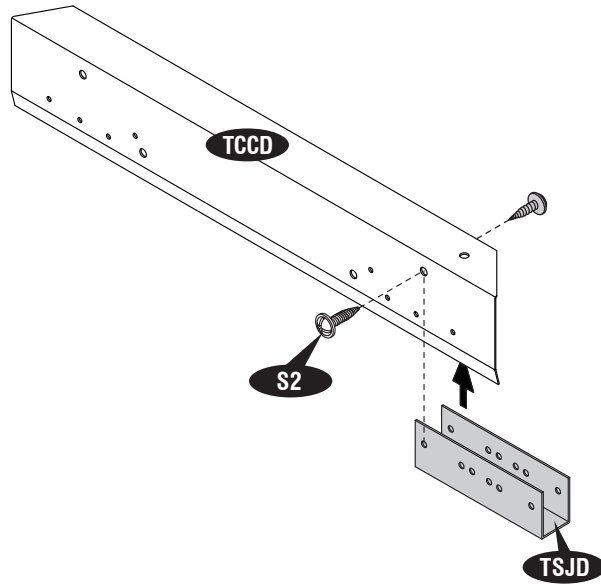


Fig. 1

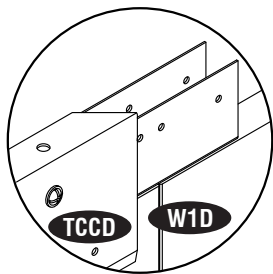


Fig. 2

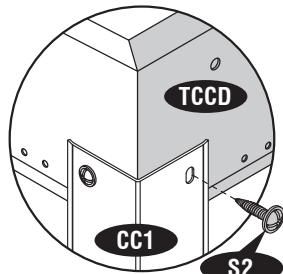
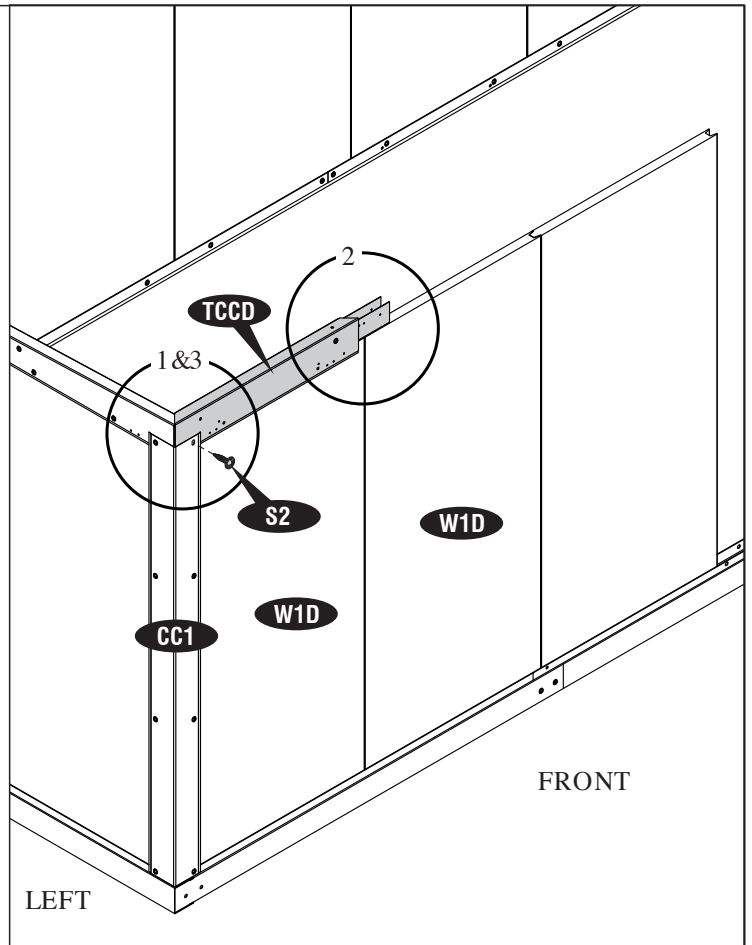


Fig. 3



IMPORTANT : USE HAND GLOVES TO PREVENT INJURY.

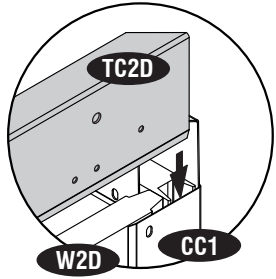


Fig. 1

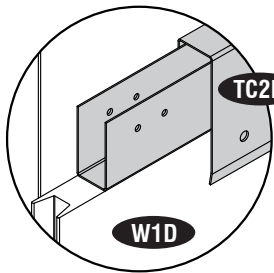


Fig. 2

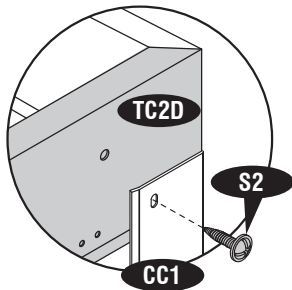


Fig. 3

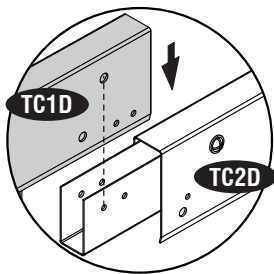
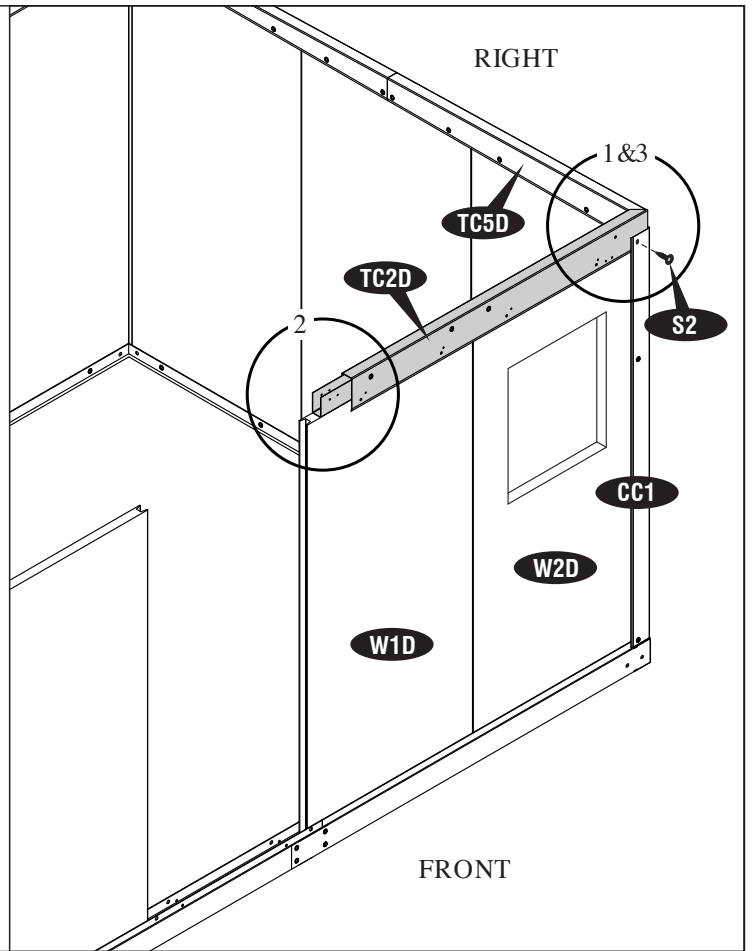


Fig. 1

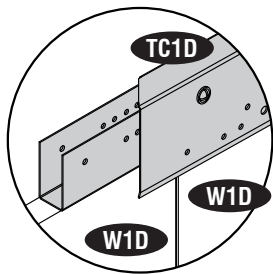


Fig. 2

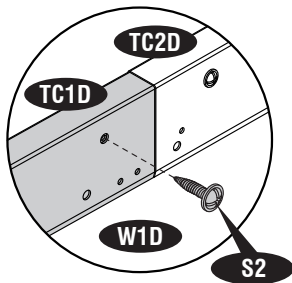
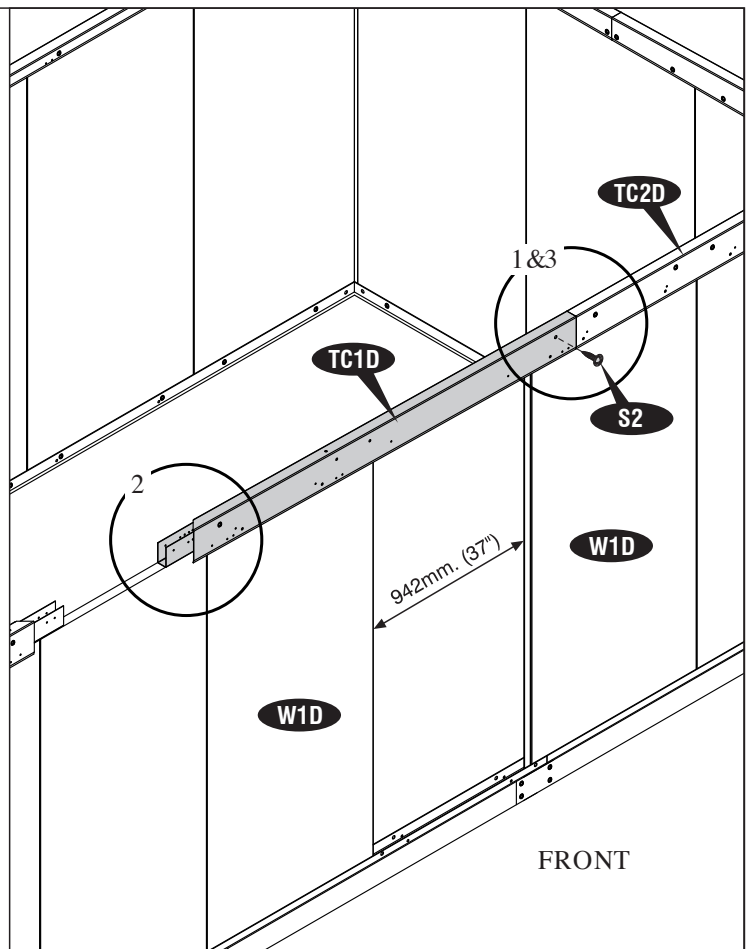


Fig. 3



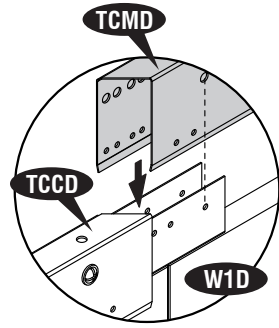


Fig. 1

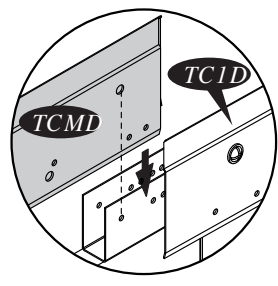


Fig. 2

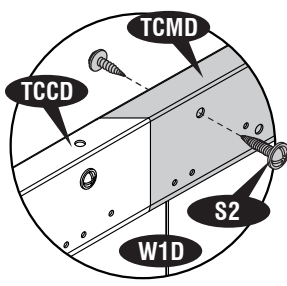


Fig. 3

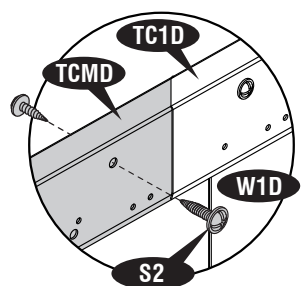
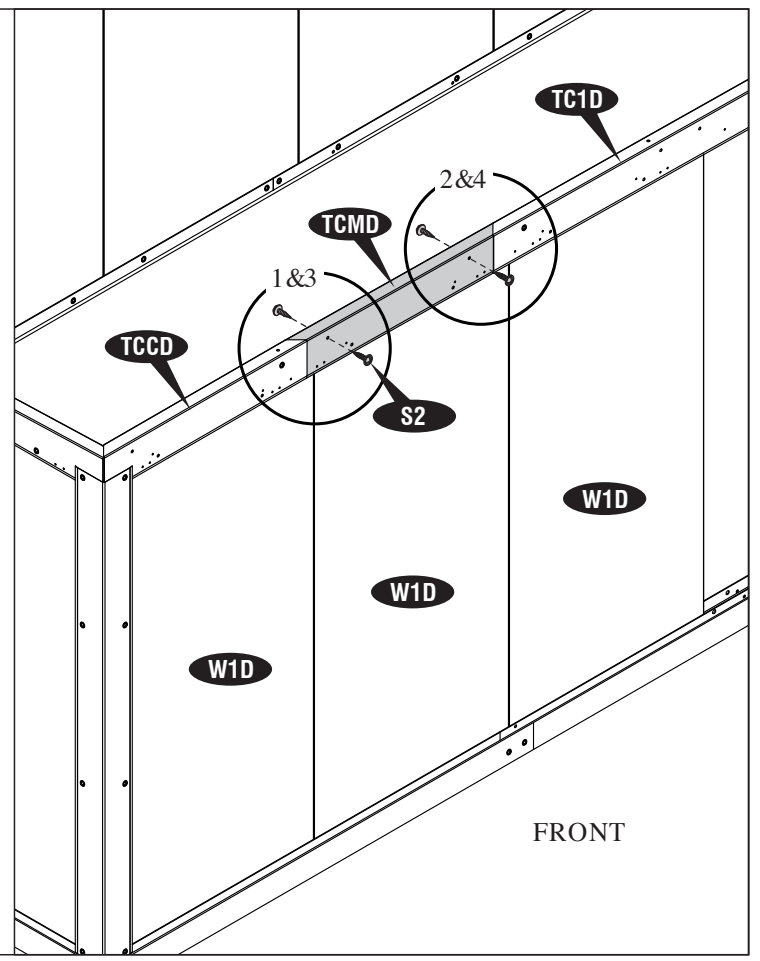
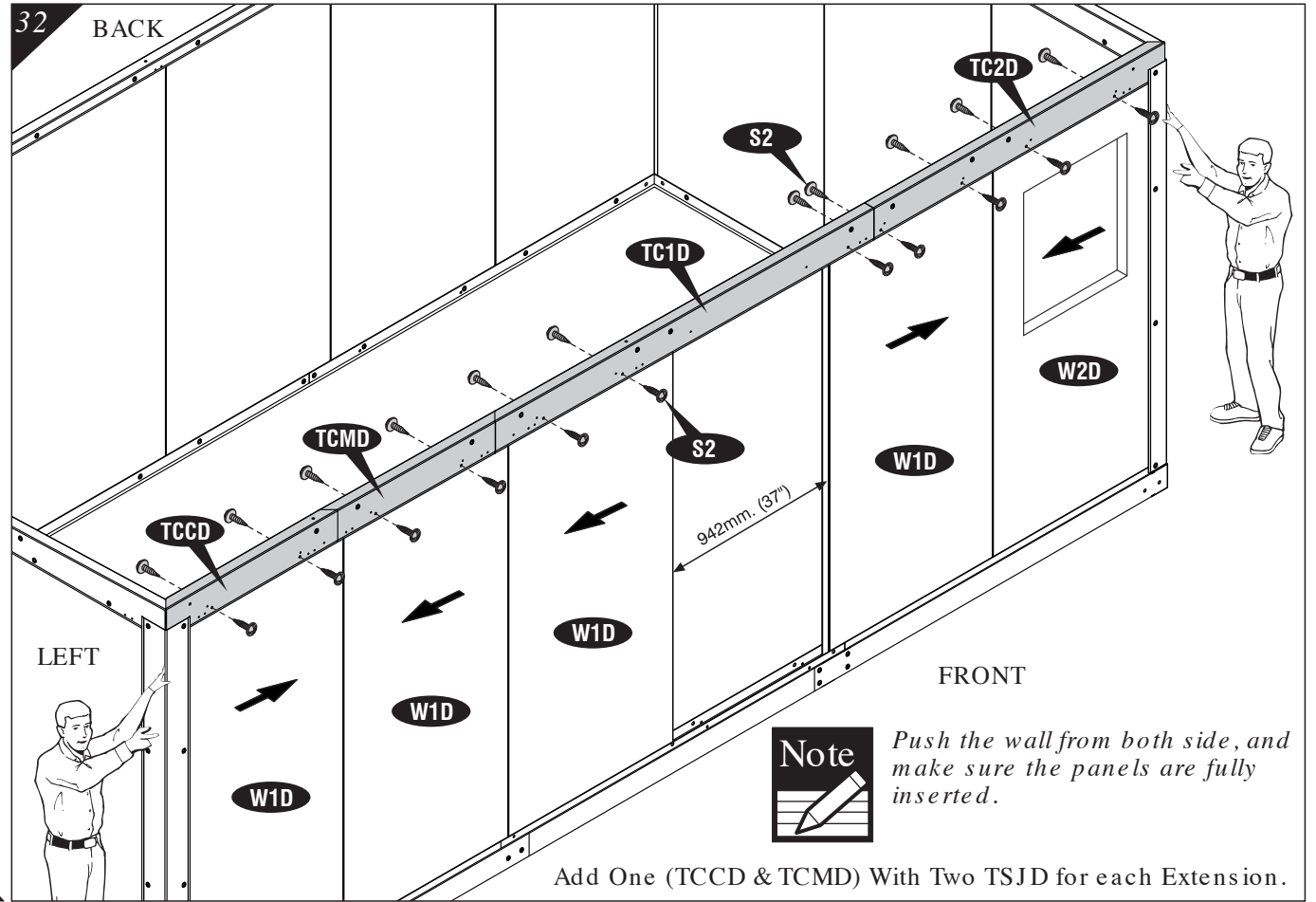


Fig. 4



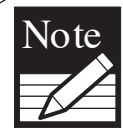
FRONT

BACK



LEFT

FRONT



Note Push the wall from both side, and make sure the panels are fully inserted.

Add One (TCCD & TCMD) With Two TSJD for each Extension.

IMPORTANT : USE HAND GLOVES TO PREVENT INJURY.

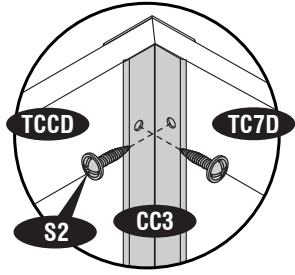


Fig. 1

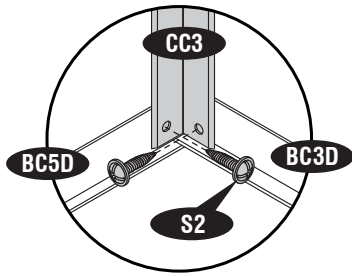


Fig. 2

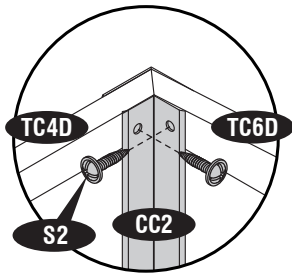
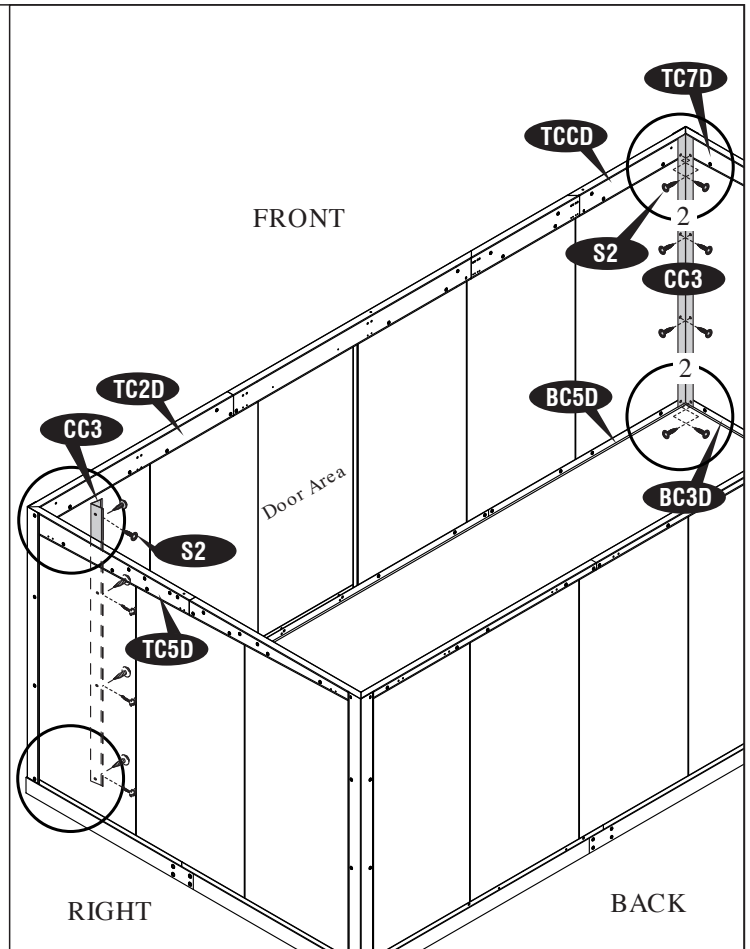


Fig. 1

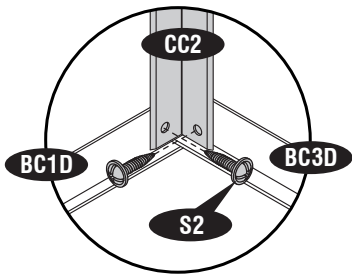
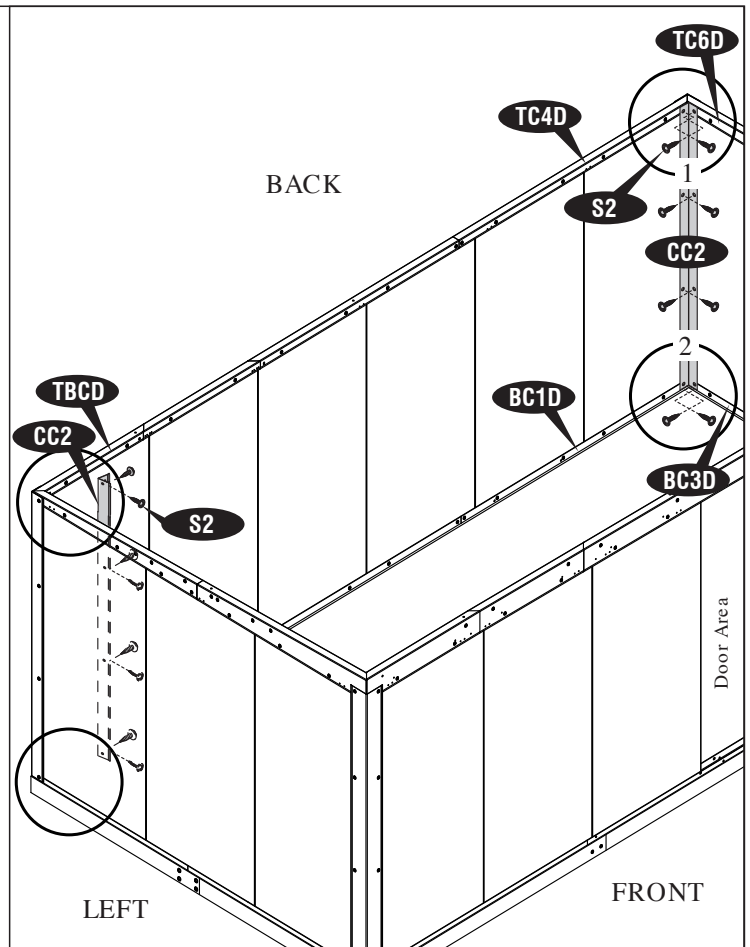


Fig. 2



IMPORTANT : USE HAND GLOVES TO PREVENT INJURY.



If the Door is assembling any other positions (1,3 or 4), Please follow page 43-51

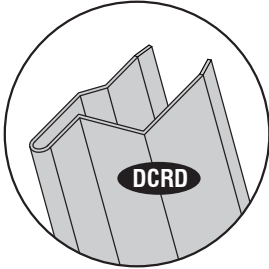
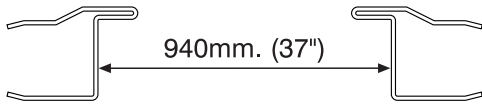


Fig. 1

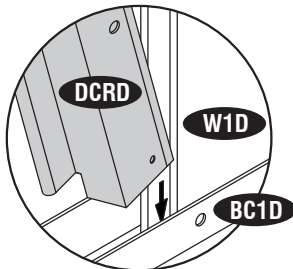


Fig. 2

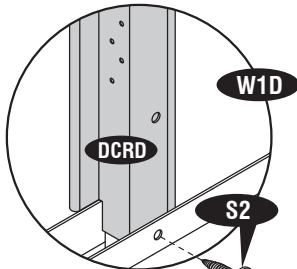


Fig. 3

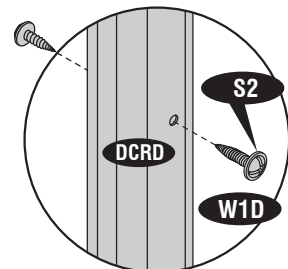
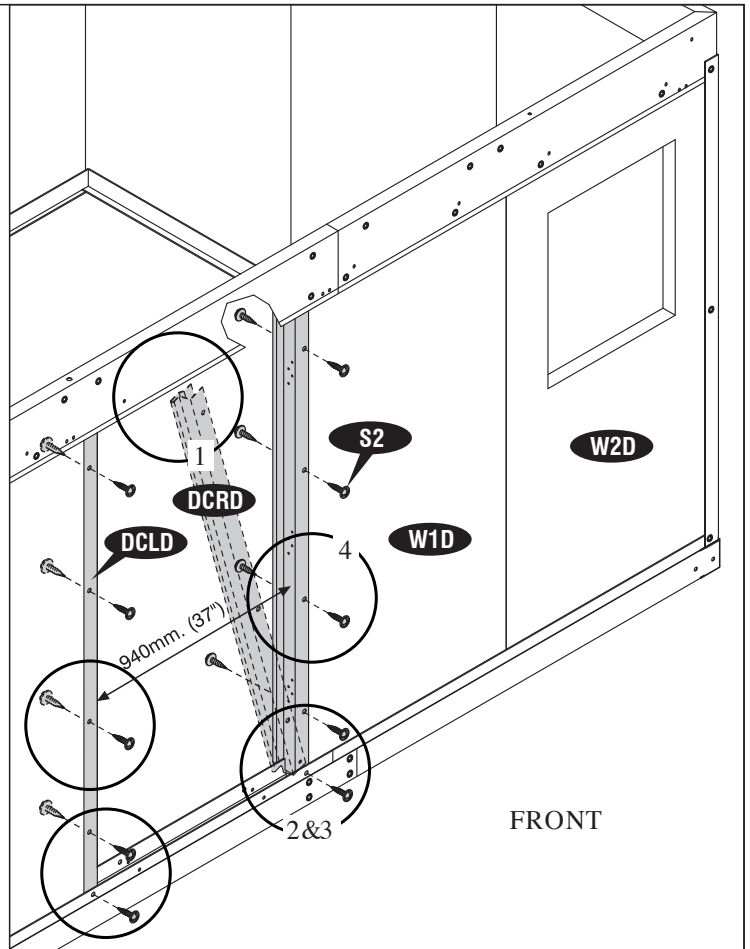


Fig. 4



FRONT



If the Door is assembling any other positions (1,3 or 4), Please follow page 43-51

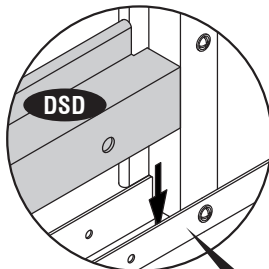


Fig. 1

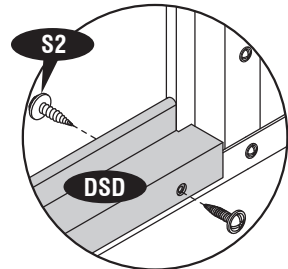
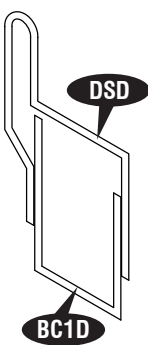
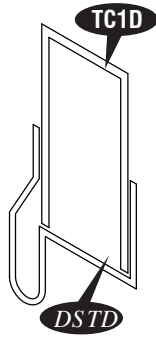


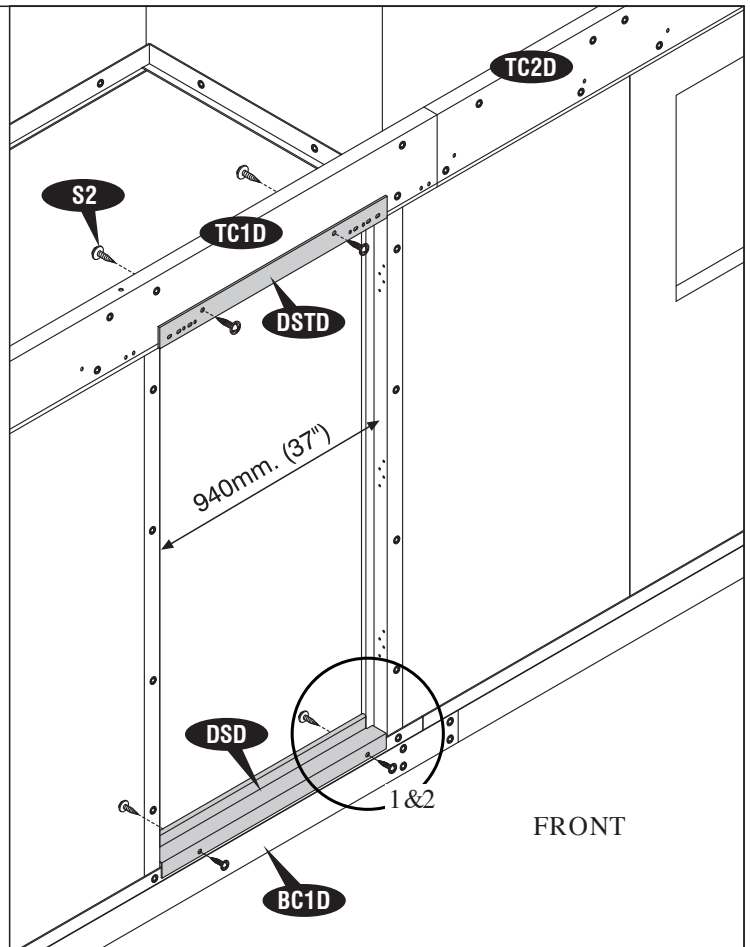
Fig. 2



BC1D

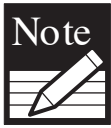


DSTD



FRONT

IMPORTANT : USE HAND GLOVES TO PREVENT INJURY.



If the Door is assembling any other positions (1,3 or 4), Please follow page 43-51

Add Two (RSJD) for each Extension.

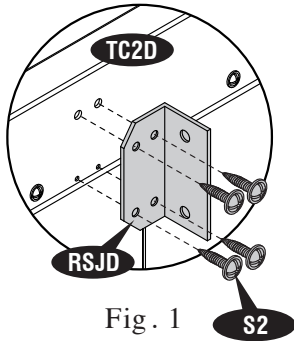


Fig. 1

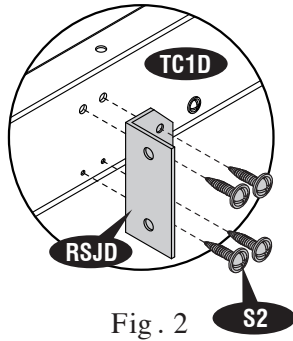


Fig. 2

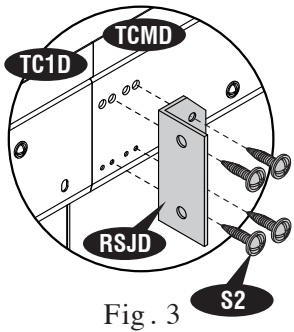


Fig. 3

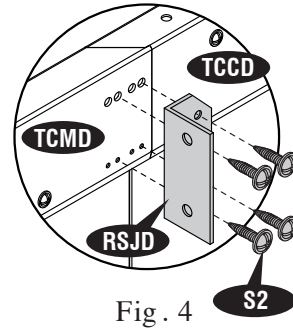
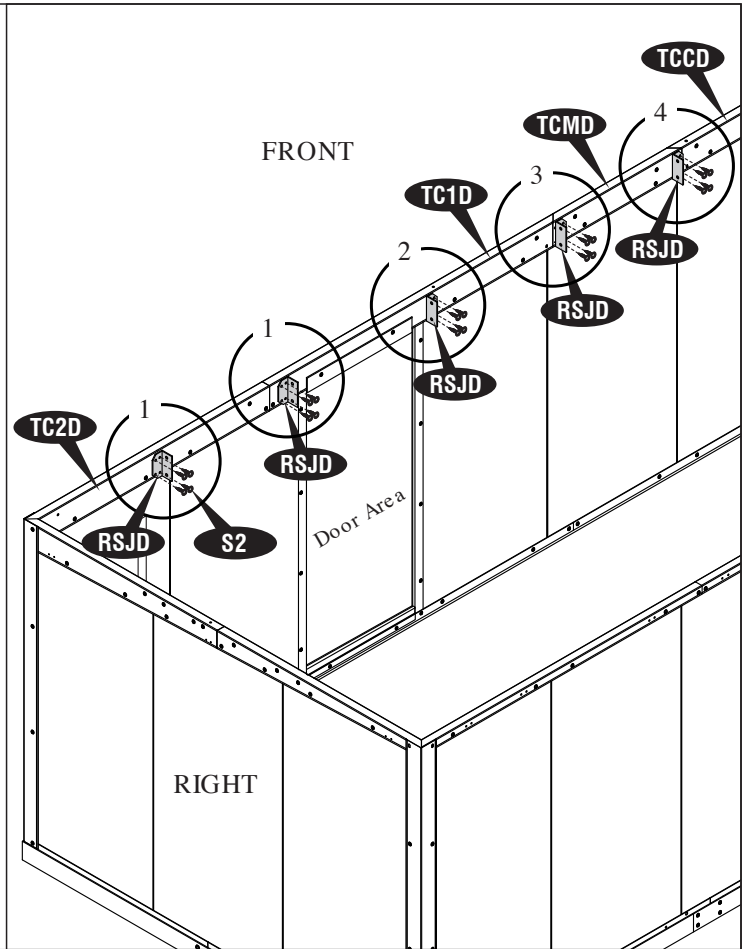


Fig. 4



If the Door is assembling any other positions (1,3 or 4), Please follow page 43-51

Add Two (RSJD) for each Extension.

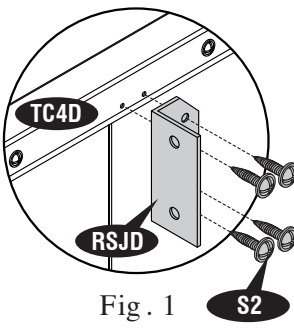


Fig. 1

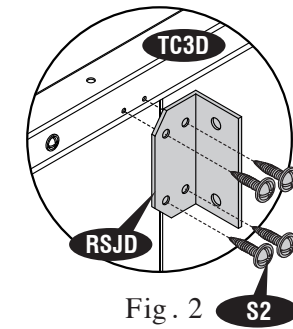


Fig. 2

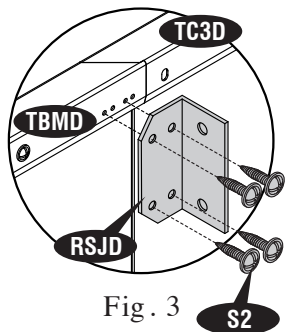


Fig. 3

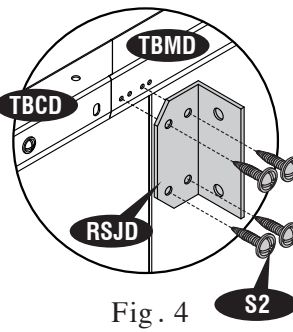
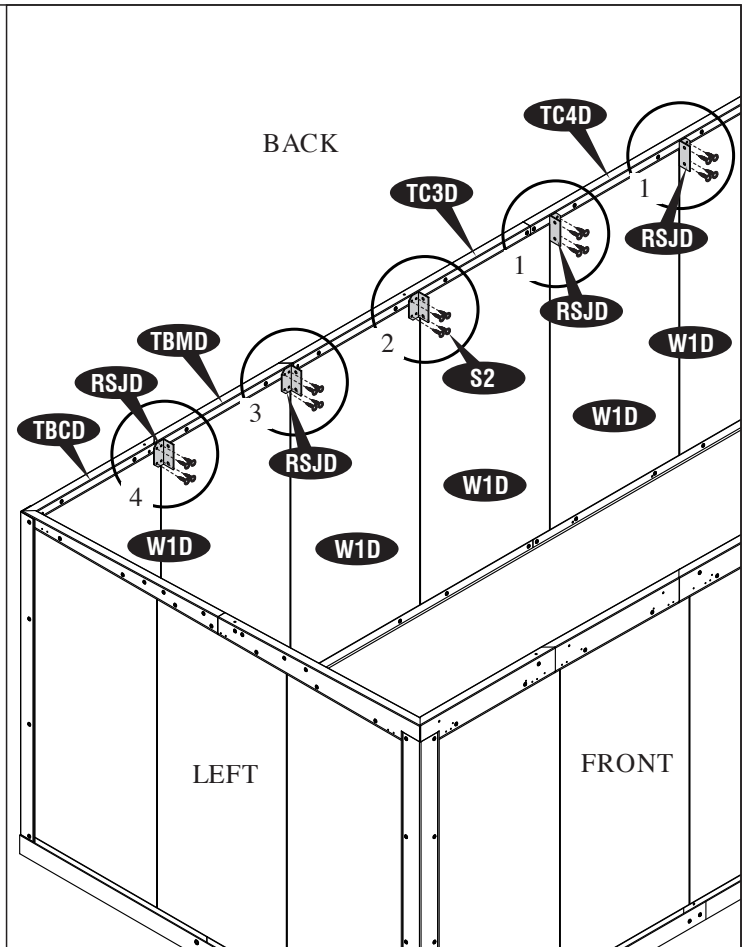
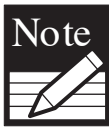


Fig. 4



IMPORTANT : USE HAND GLOVES TO PREVENT INJURY.



If the Door is assembling any other positions (1,3 or 4), Please follow page 43-51

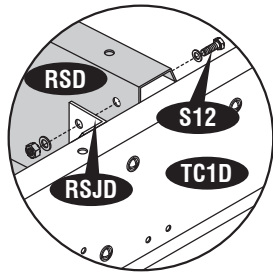


Fig. 1

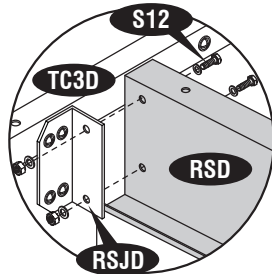


Fig. 2

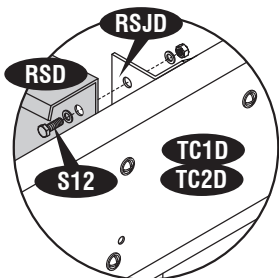


Fig. 3

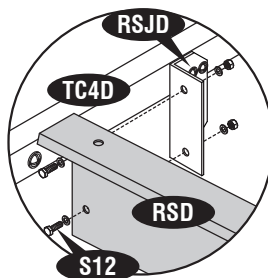
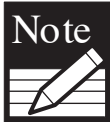
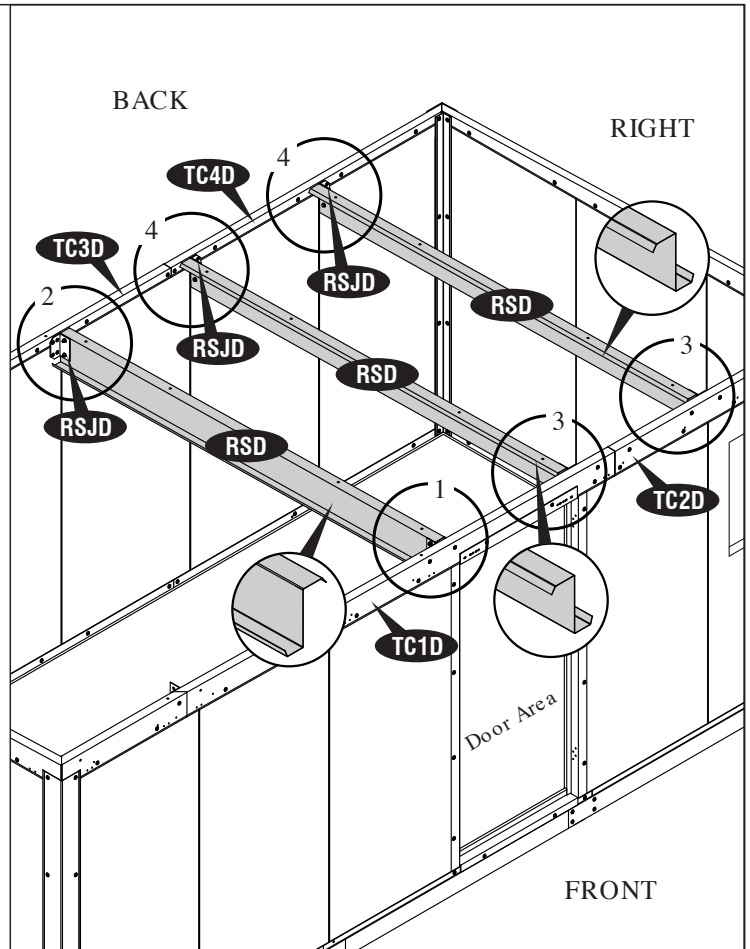


Fig. 4



If the Door is assembling any other positions (1,3 or 4), Please follow page 43-51

Add Two (RSD) for each Extension.

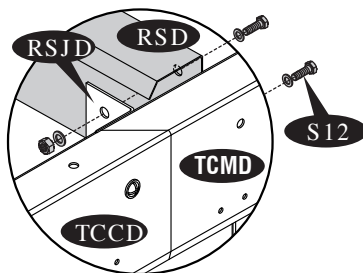


Fig. 1

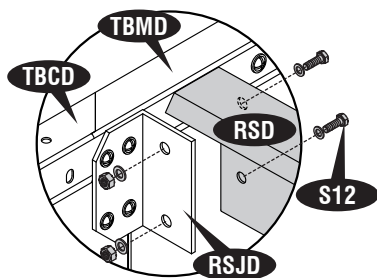
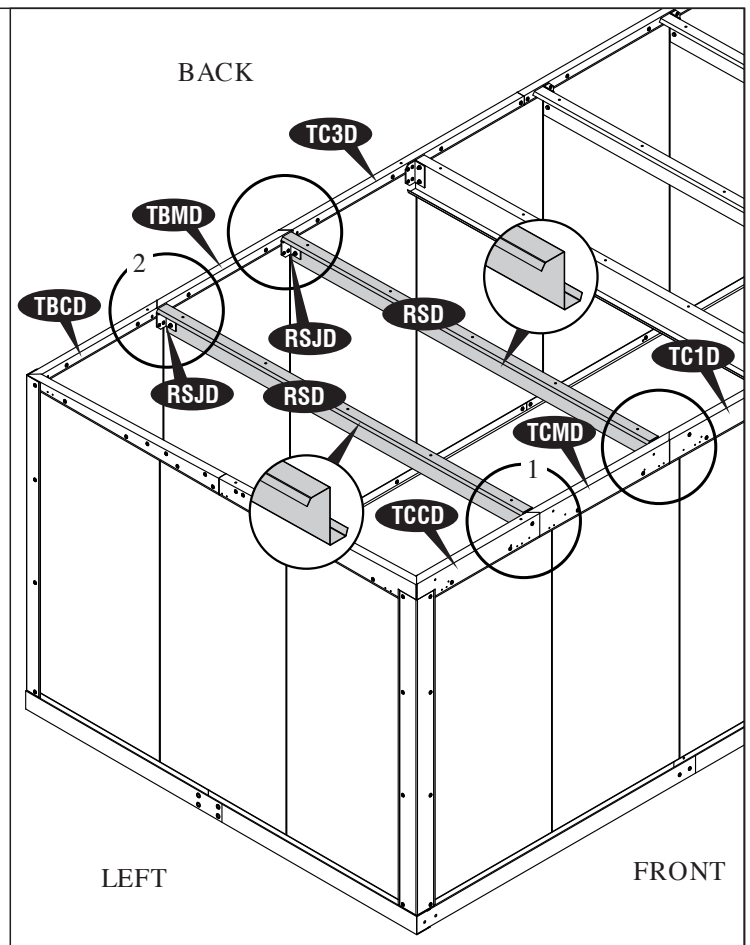


Fig. 2



C. Roof Assembly

Parts needed:

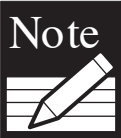
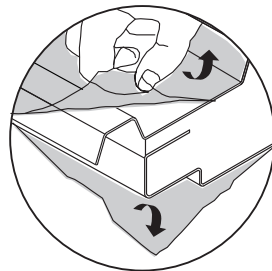
CODE	QTY	CODE	QTY
R1D	1	GJD	1
R2D	2	GSD	4
R3D	1	PC1D	1
RFD	1	PC2D	1
RF2D	1	P2BE	2
RF3D	1	DFA4	1
RF4D	1	DNS	1
RF5D	1	DCV4	1
RF6D	1	S2	85
RF7D	1	S3	2
RFSD	10	S8	4
GLD	1	S10	42
GRD	1	S15	24
HC	3	S16	42

Parts needed for each Extension

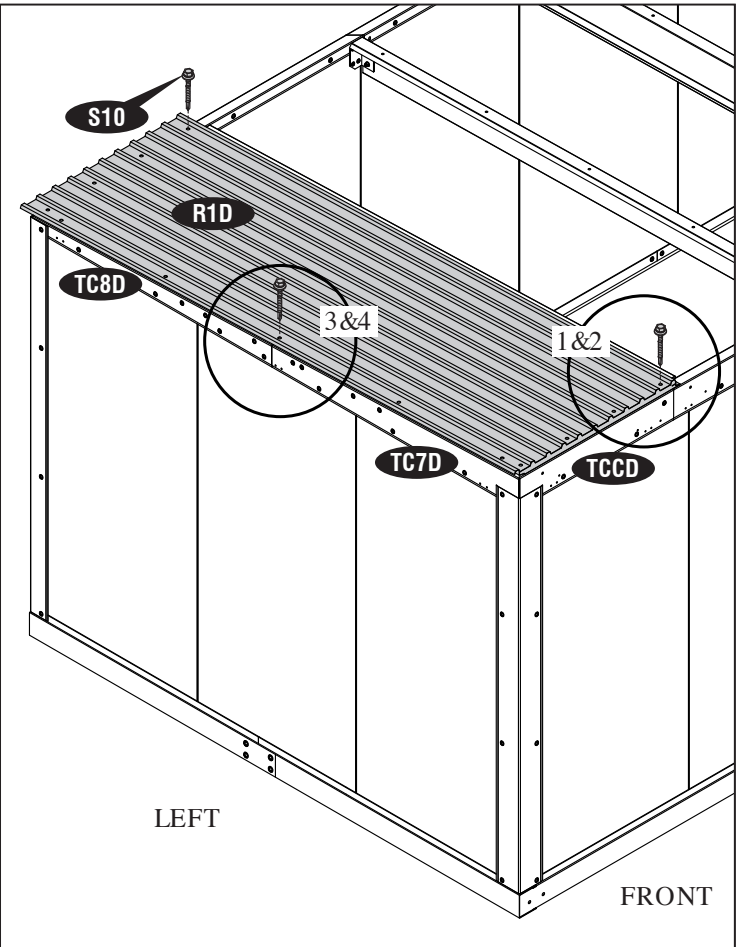
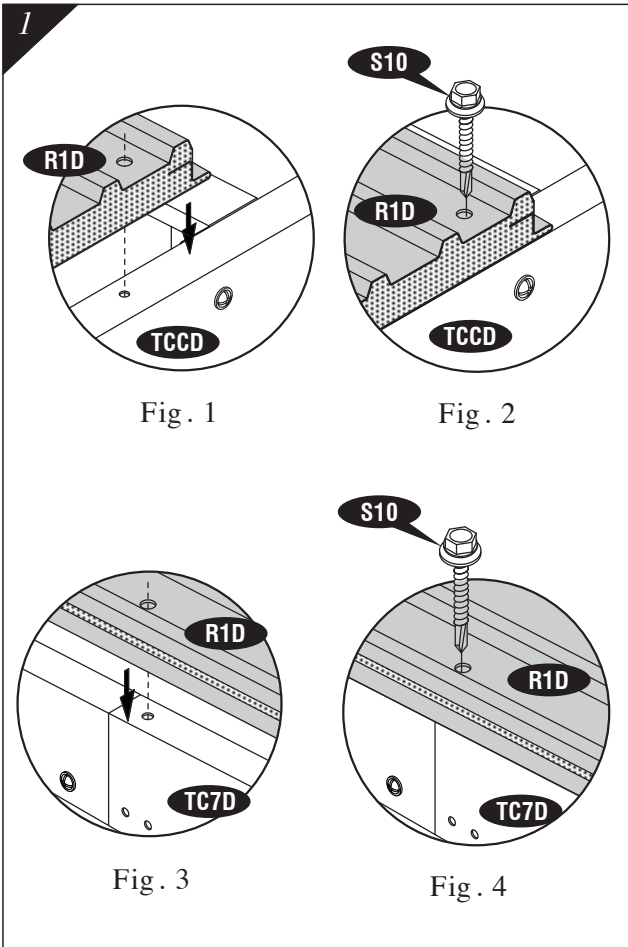
CODE	QTY
R2D	2
GJD	1
GED	1
GSED	2
FSED	3
RFED	1
S2	36
S10	16
S16	16



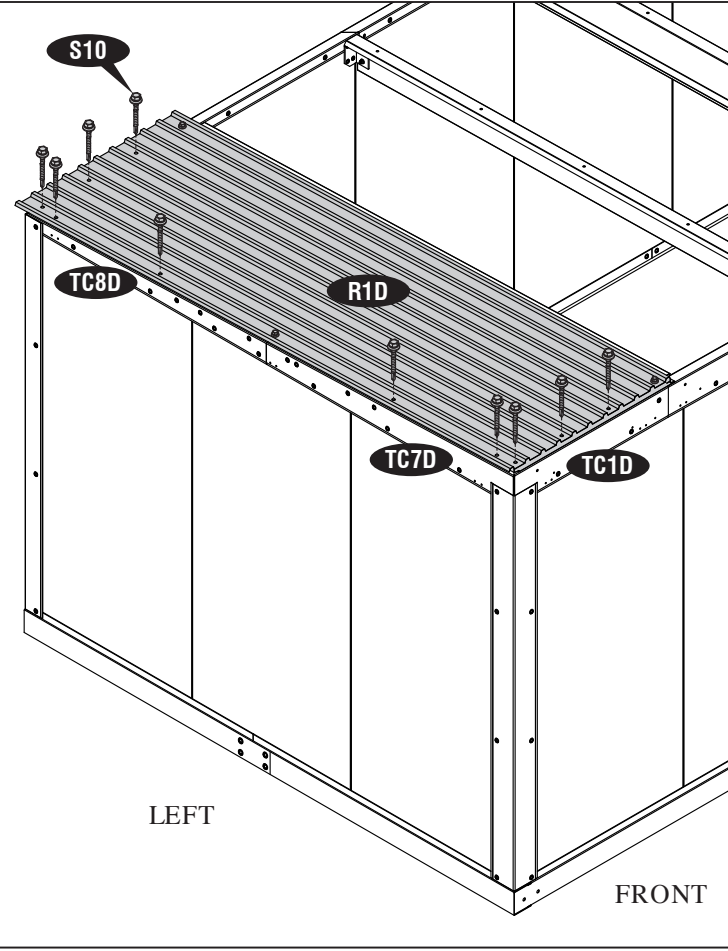
Remove the protective films before start assembly.



On top 'U' channel these 3 holes are Pre-drilled for reference, align the holes and secure.



2



3

Add 2 Nos (R2D) for each Extension.

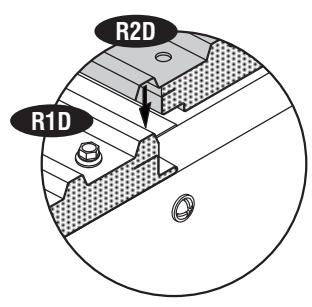


Fig. 1

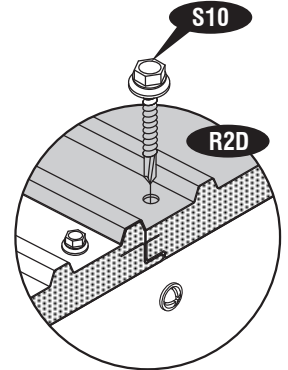
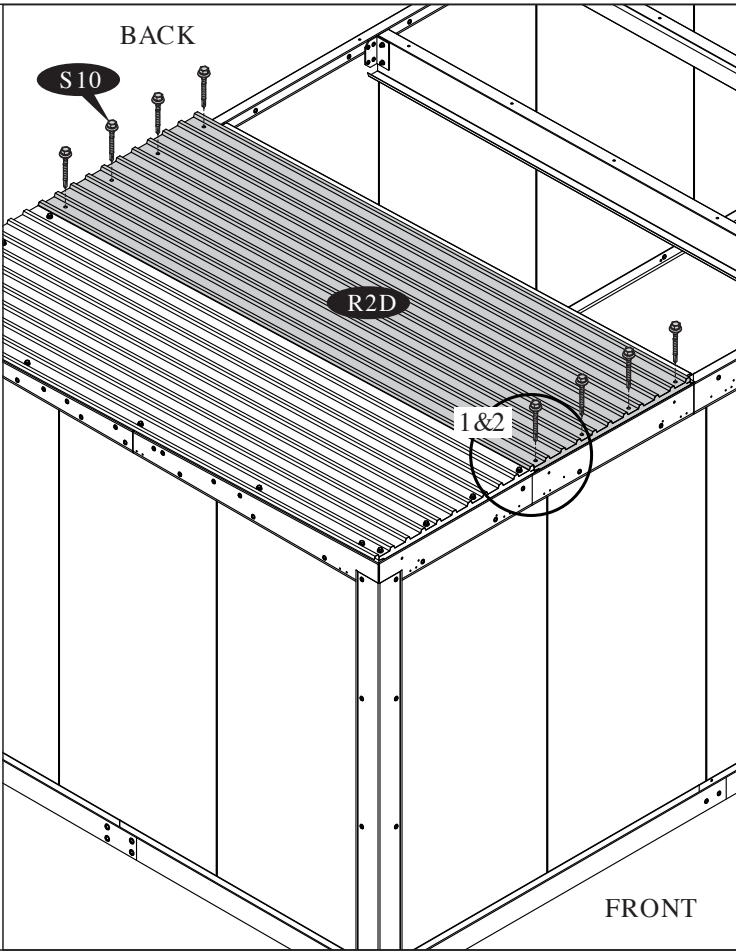


Fig. 2



30

IMPORTANT : USE HAND GLOVES TO PREVENT INJURY.

4

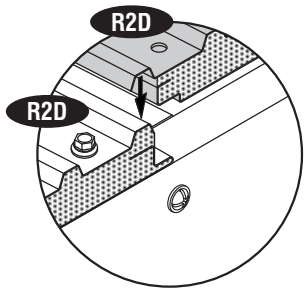


Fig. 1

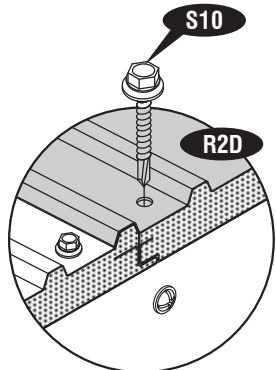
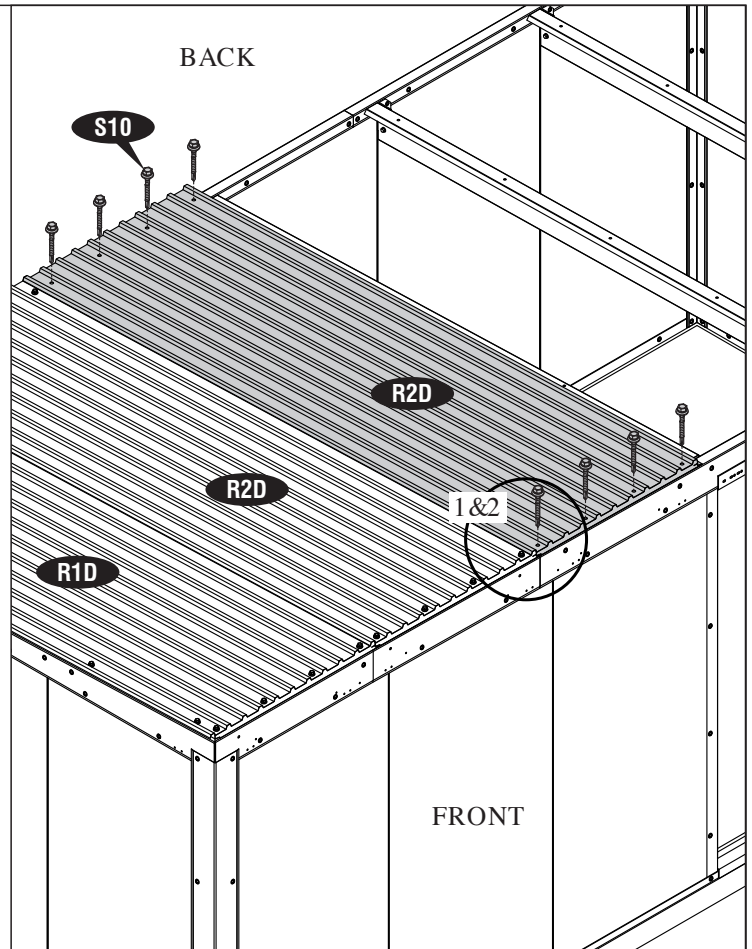


Fig. 2



5

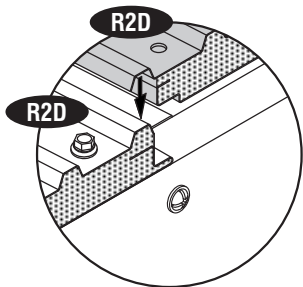


Fig. 1

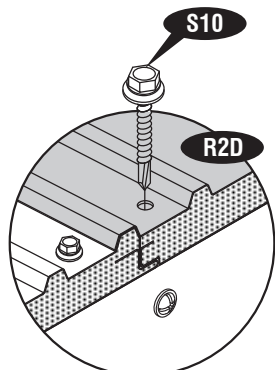
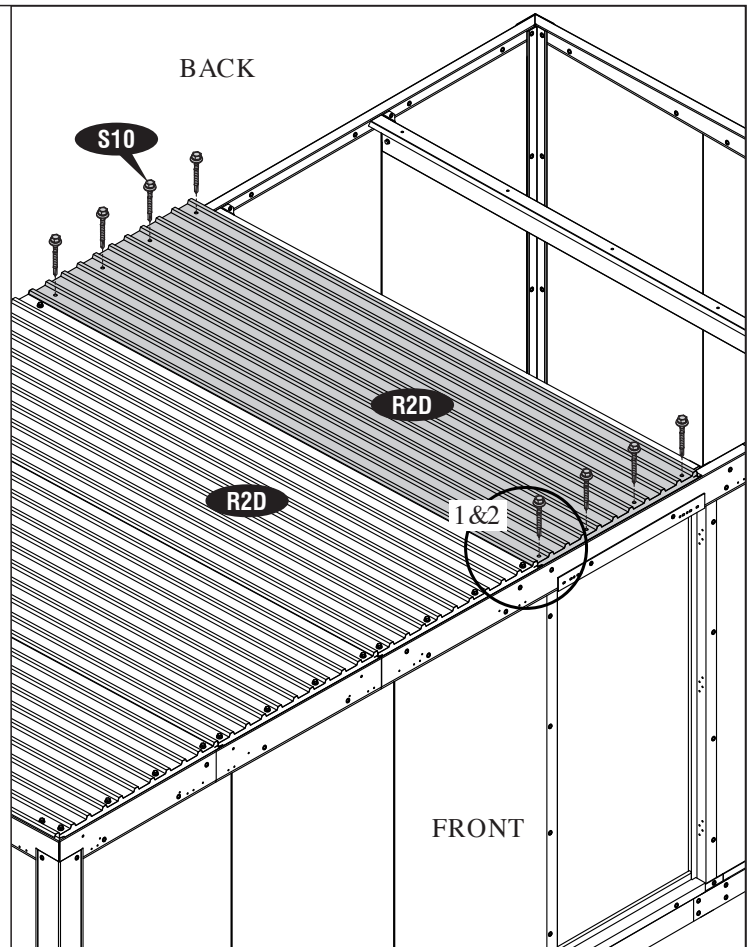
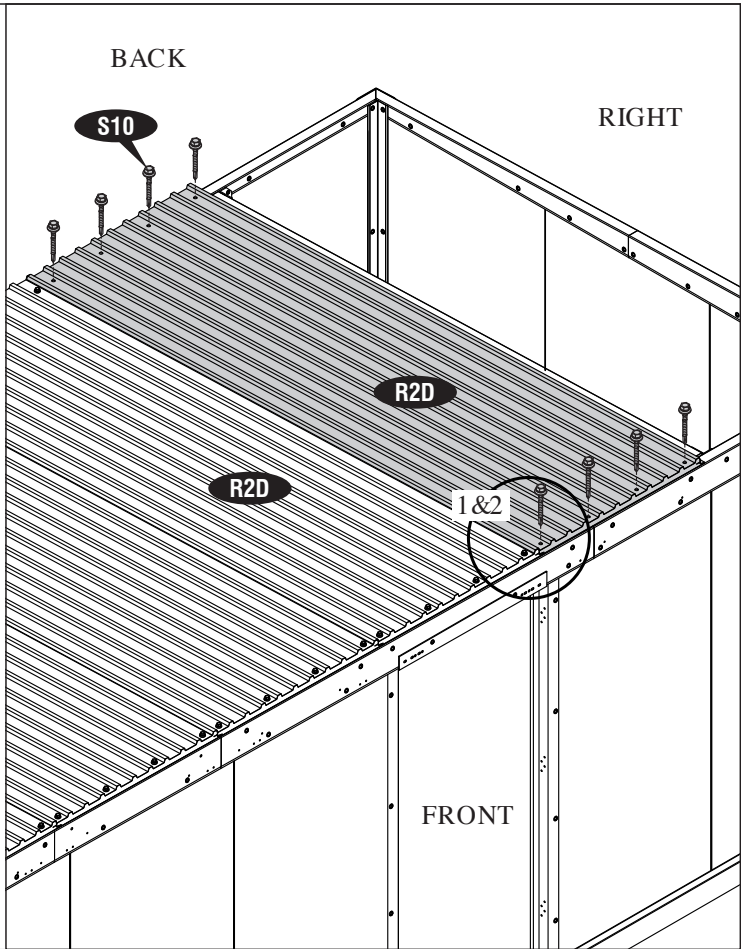


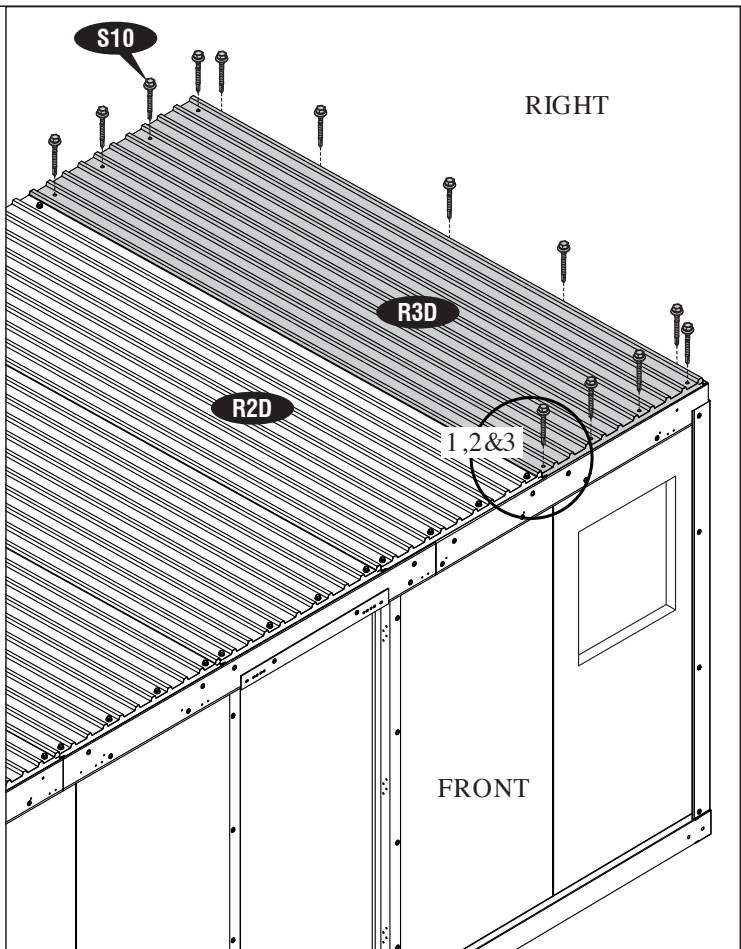
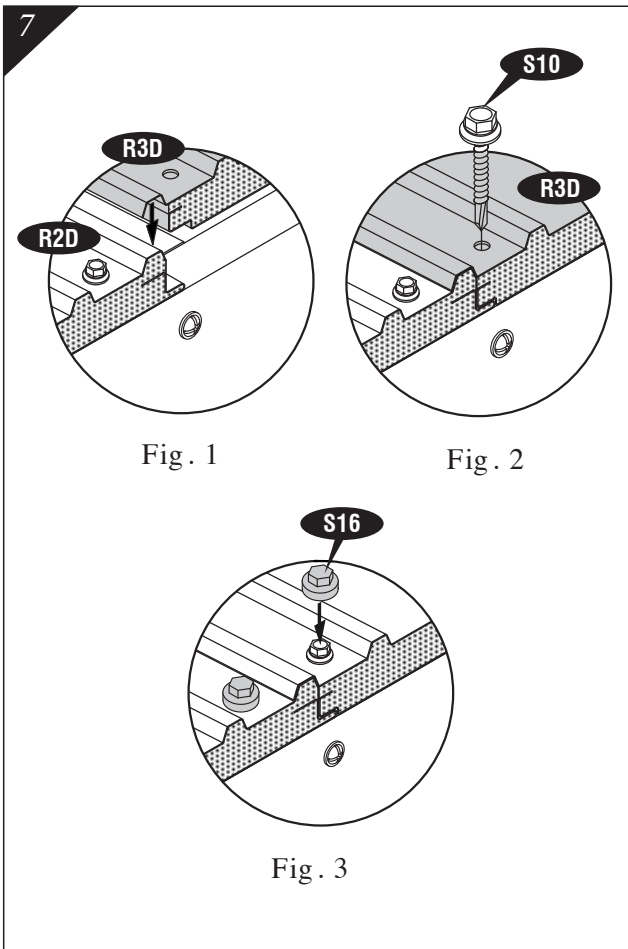
Fig. 2



6



7



32

IMPORTANT : USE HAND GLOVES TO PREVENT INJURY.

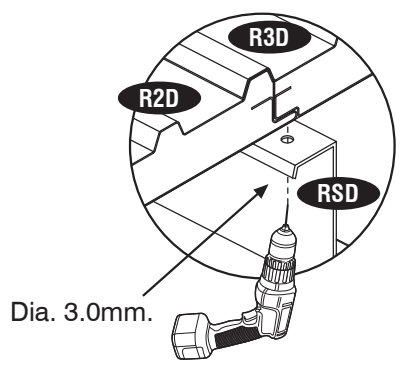


Fig. 1

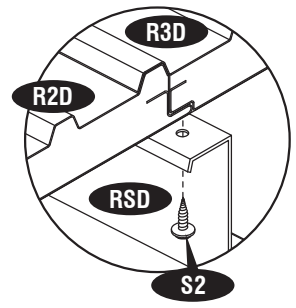


Fig. 2

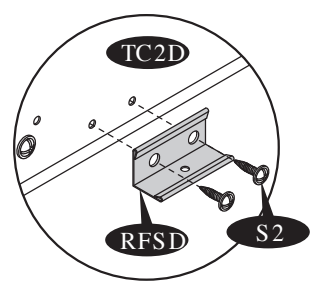
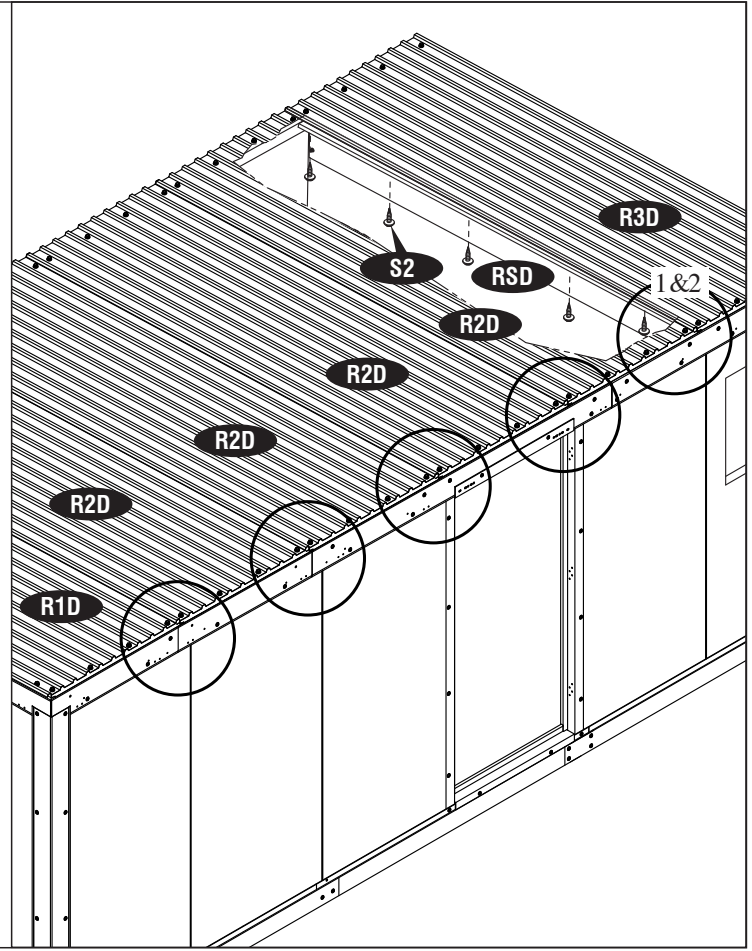


Fig. 1

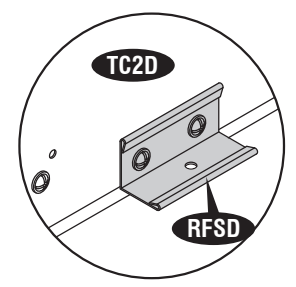
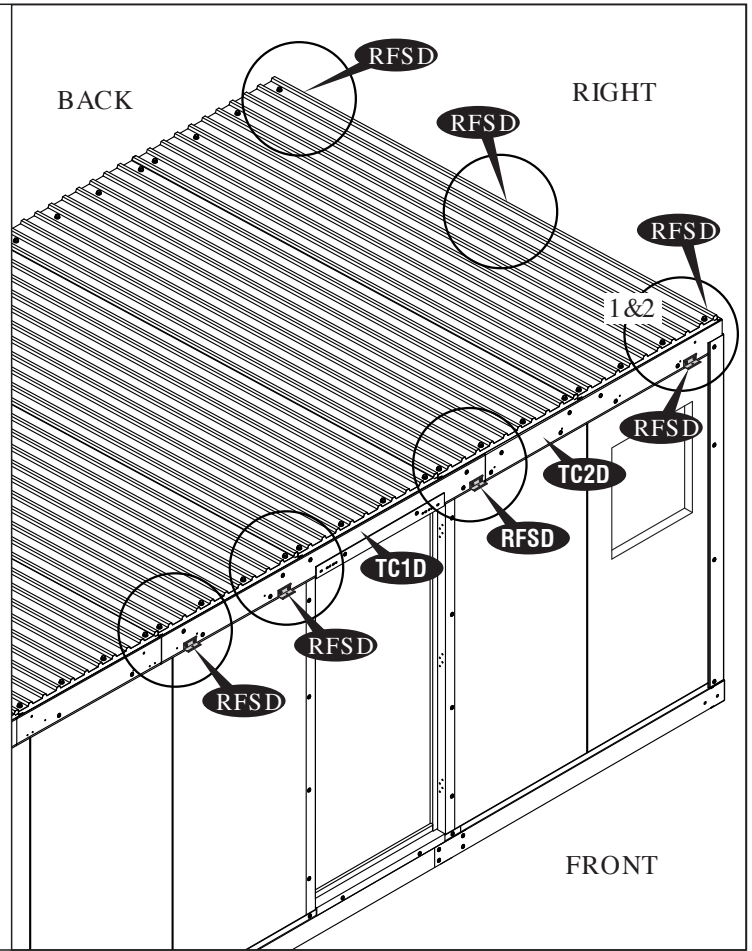


Fig. 2



IMPORTANT : USE HAND GLOVES TO PREVENT INJURY.

Add 3 Nos (FSED) for each Extension.

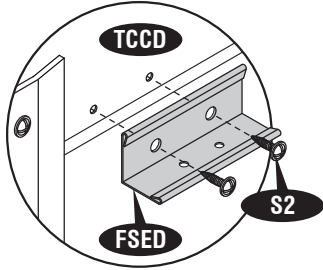


Fig. 1

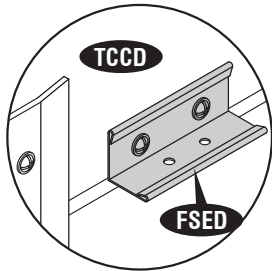


Fig. 2

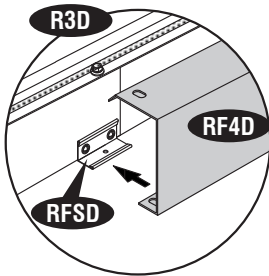
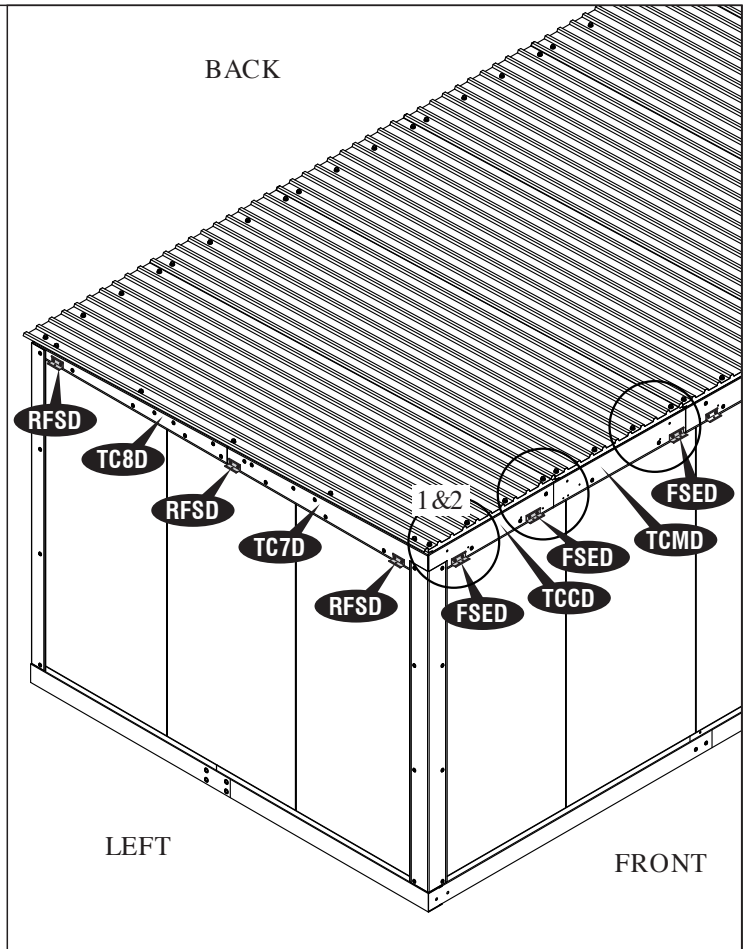


Fig. 1

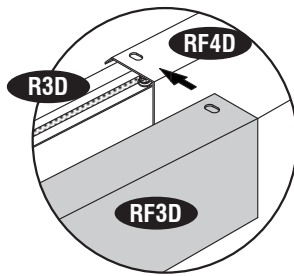


Fig. 2

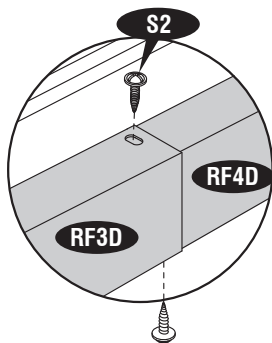
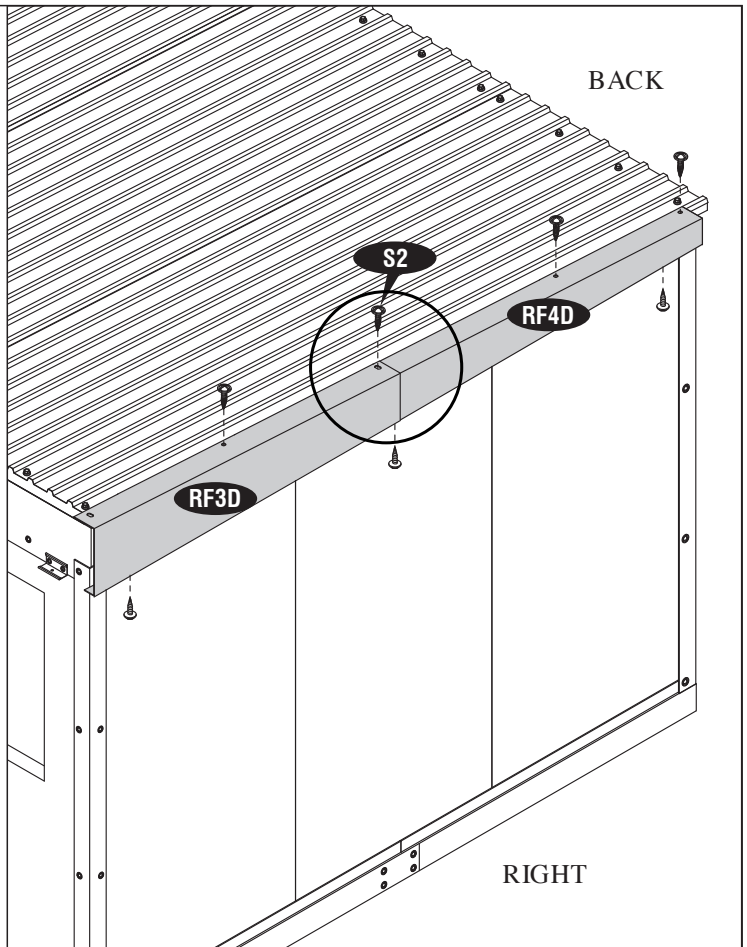


Fig. 3



IMPORTANT : USE HAND GLOVES TO PREVENT INJURY.

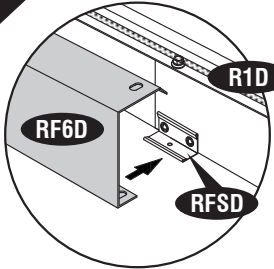


Fig. 1

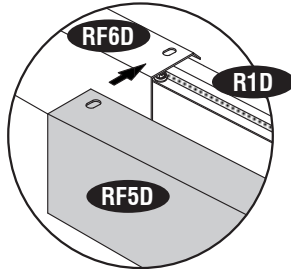


Fig. 2

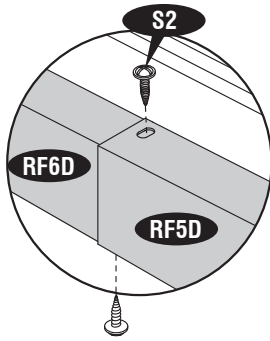
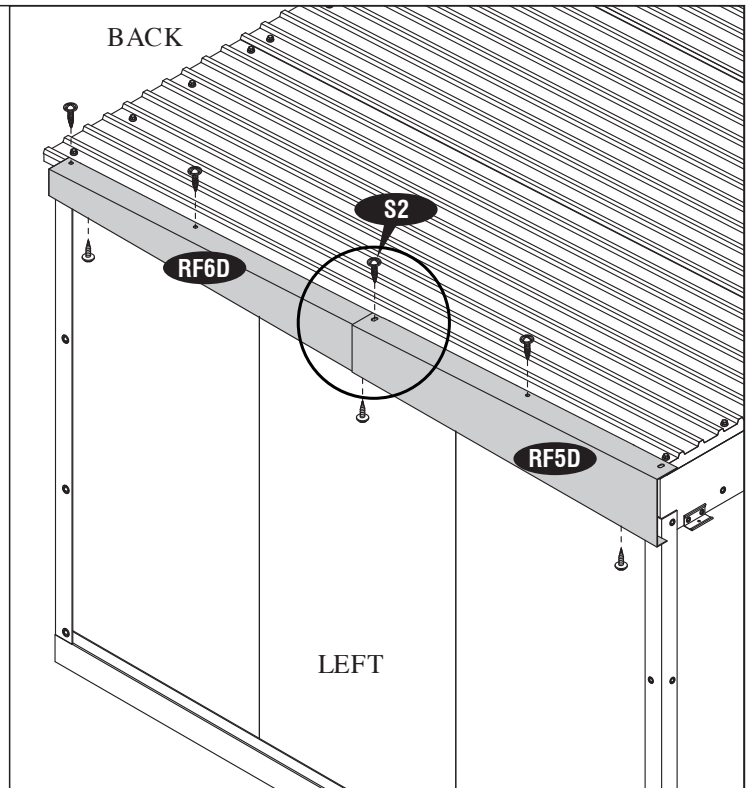


Fig. 3



Add one (RFED) for each Extension.

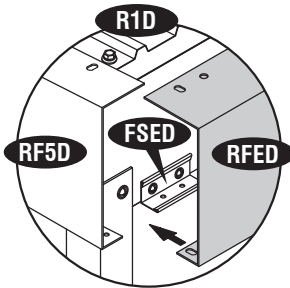


Fig. 1

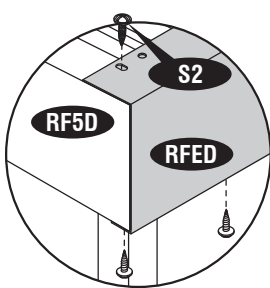


Fig. 2

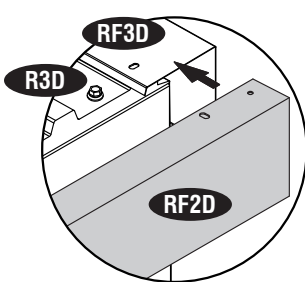


Fig. 3

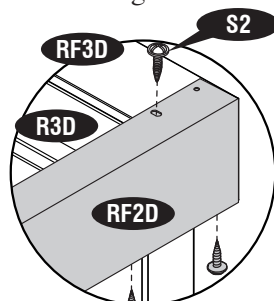


Fig. 4

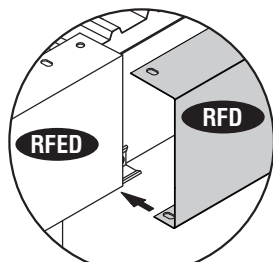


Fig. 5

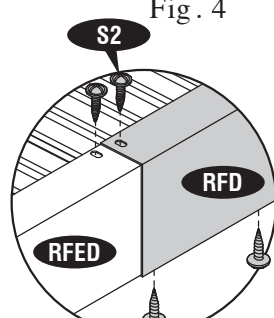
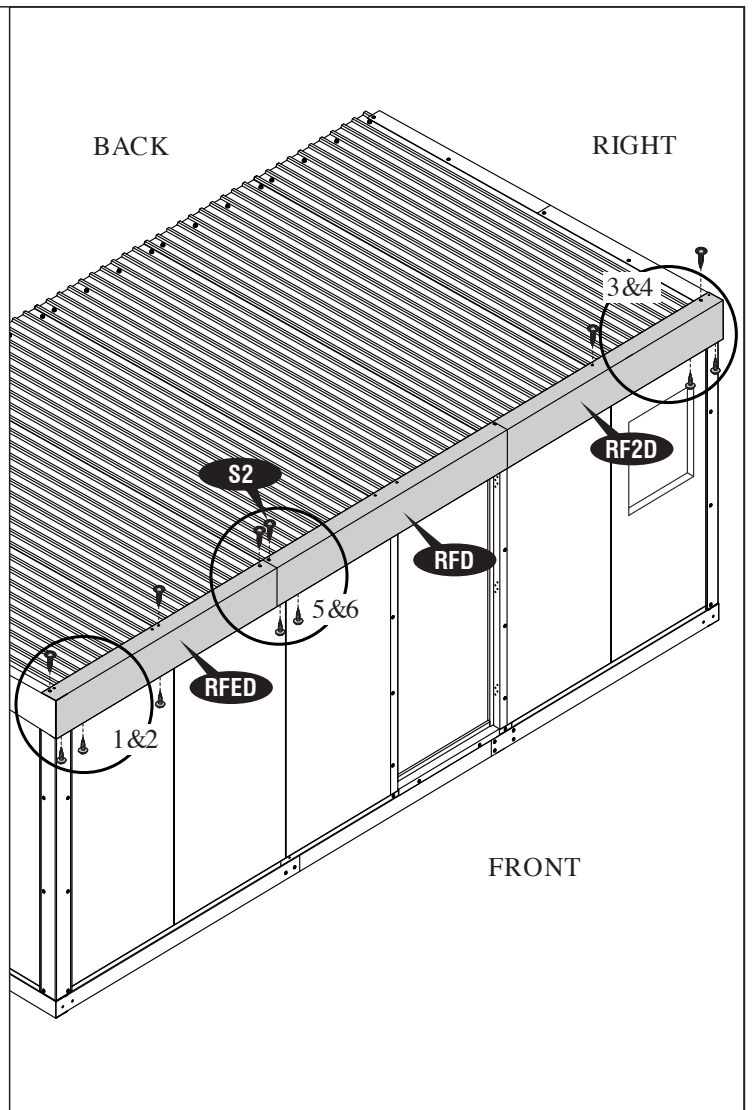


Fig. 6



IMPORTANT : USE HAND GLOVES TO PREVENT INJURY.



If the Door is assembling any other positions (1,3 or 4), Please follow page 51

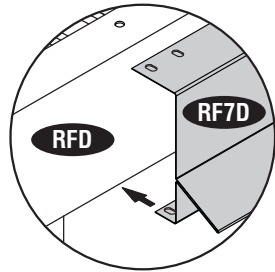


Fig. 1

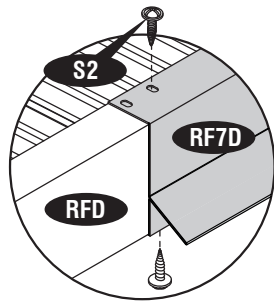
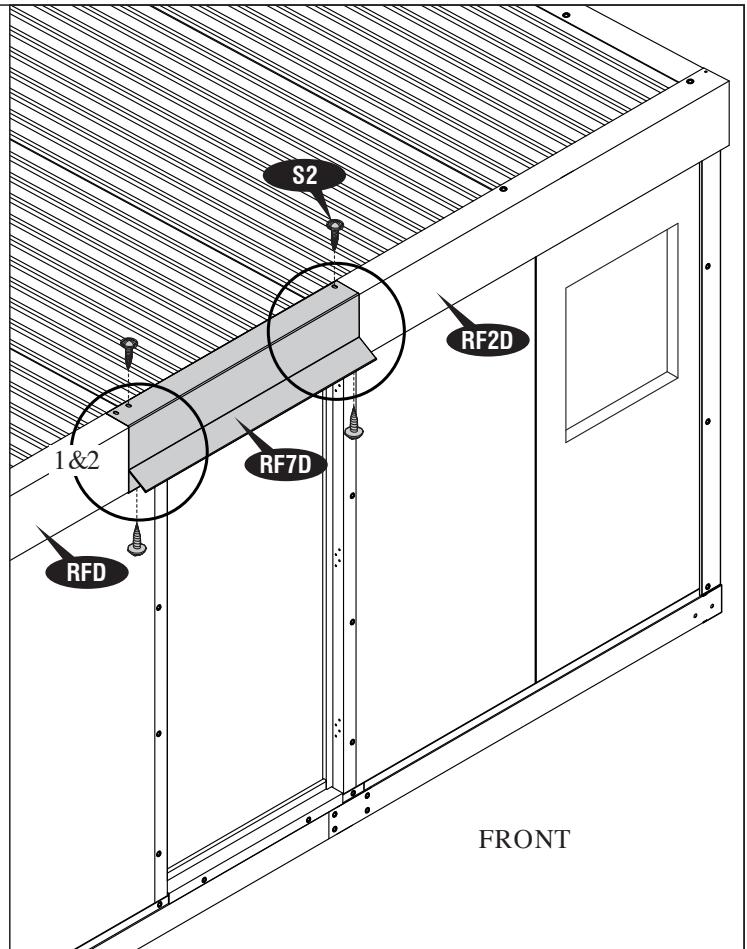


Fig. 2



Add Two (GSED) for each Extension.

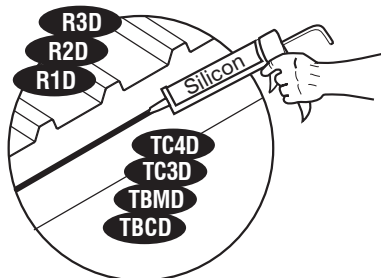


Fig. 1

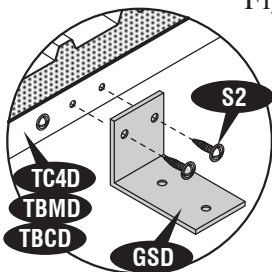


Fig. 2

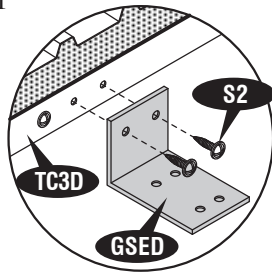
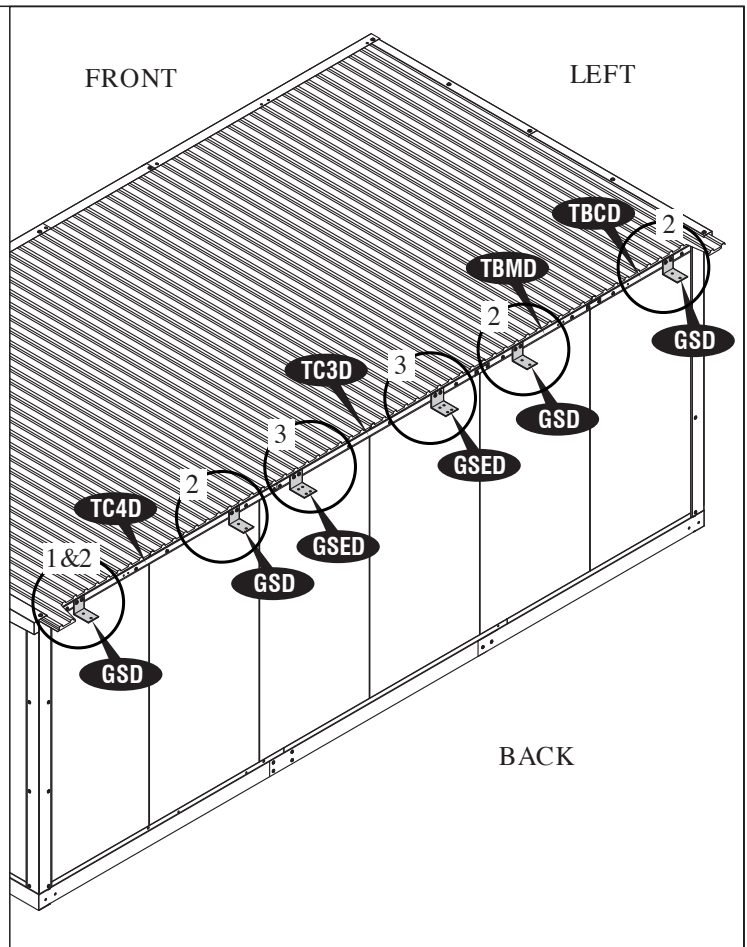


Fig. 3



Add one (GED) for each Extension.

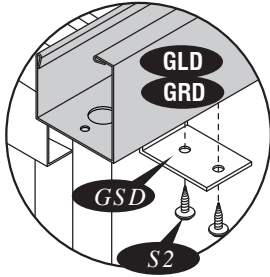


Fig. 1

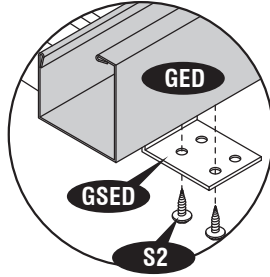


Fig. 2

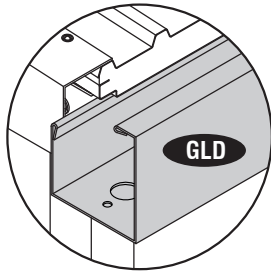
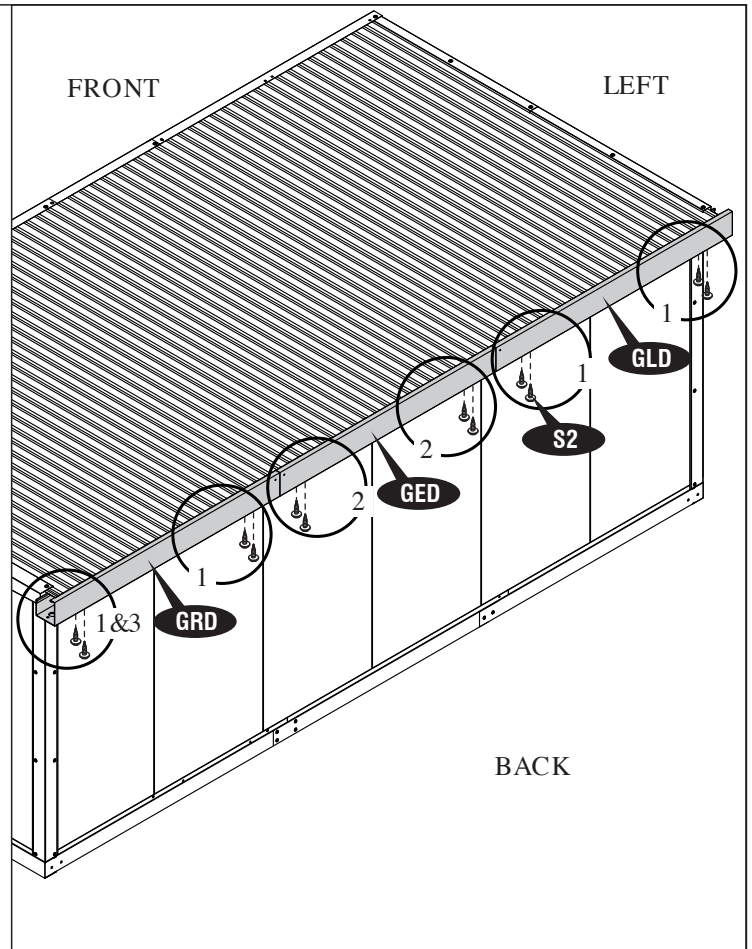


Fig. 3



Add one (GJD) for each Extension.

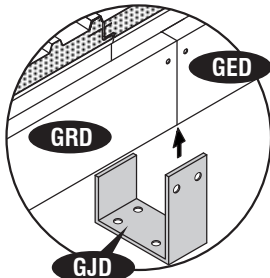


Fig. 1

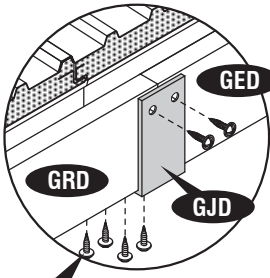


Fig. 2

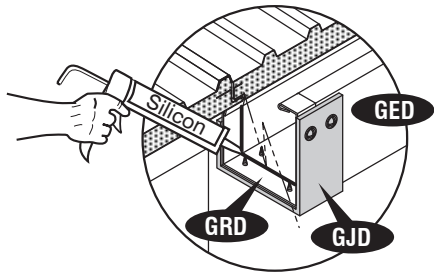
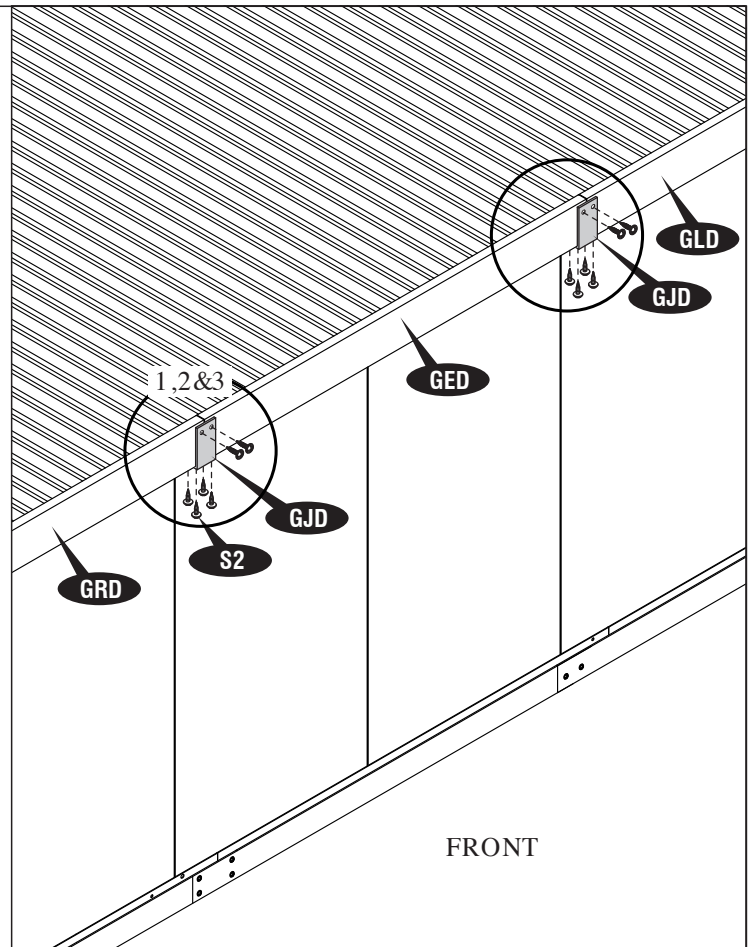


Fig. 3



IMPORTANT : USE HAND GLOVES TO PREVENT INJURY.

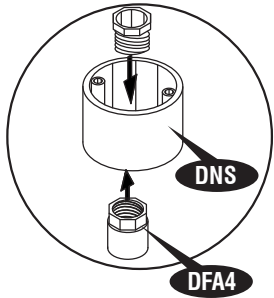


Fig. 1

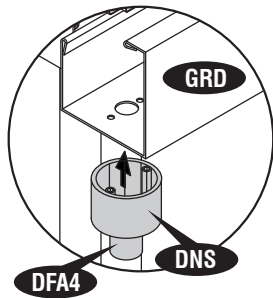


Fig. 2

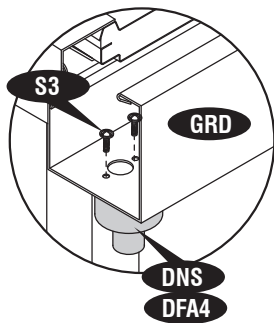


Fig. 3

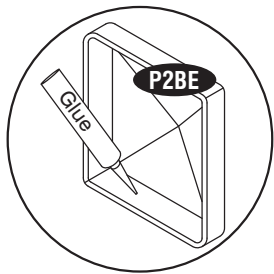
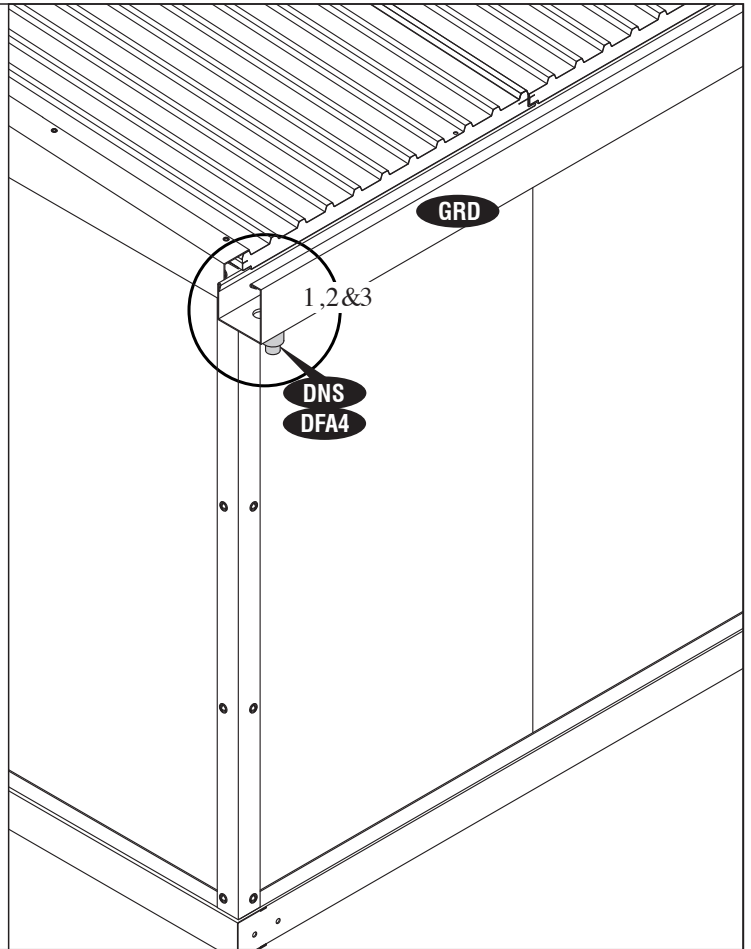


Fig. 1

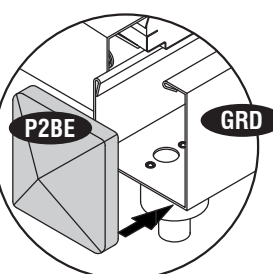


Fig. 2

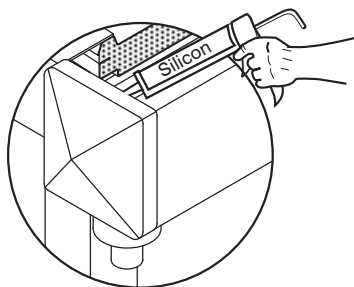
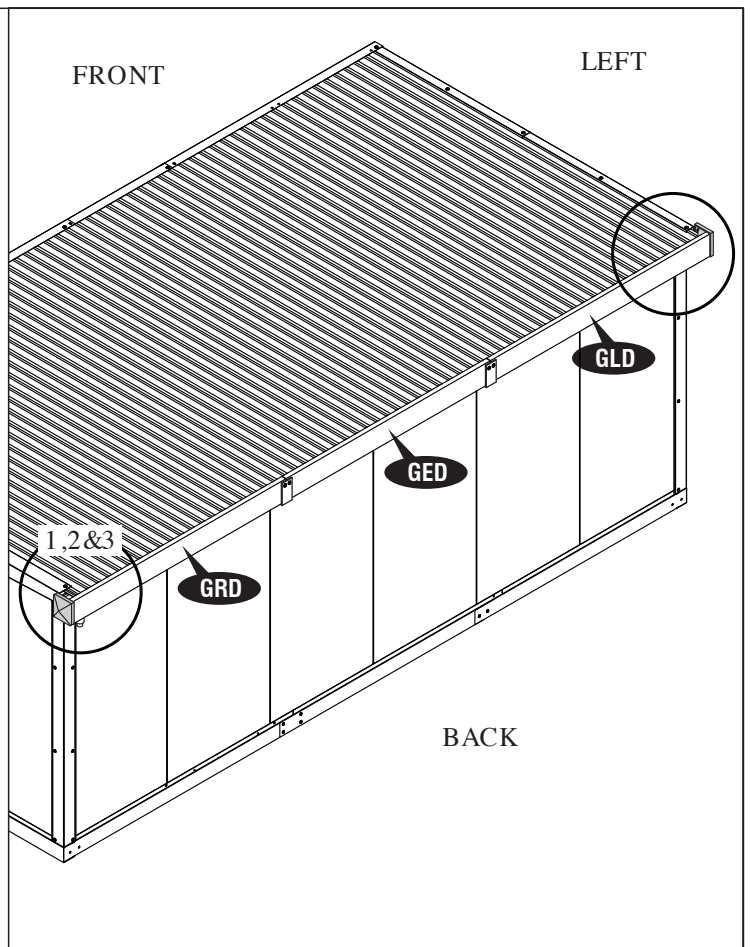


Fig. 3



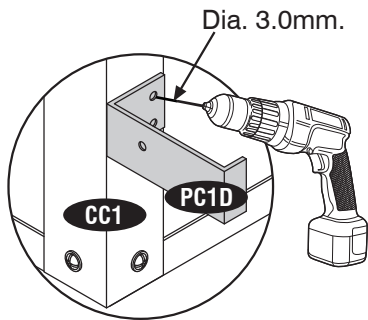


Fig. 1

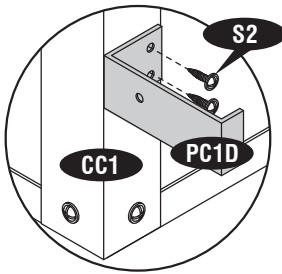


Fig. 2

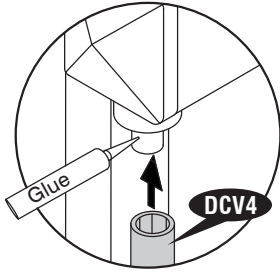


Fig. 3

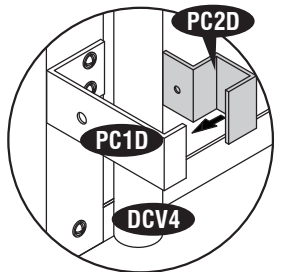


Fig. 4

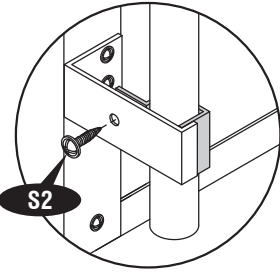


Fig. 5

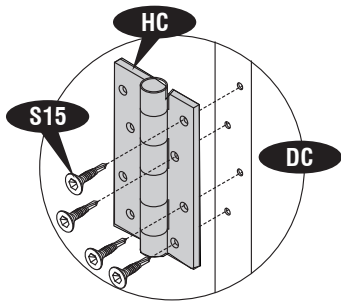
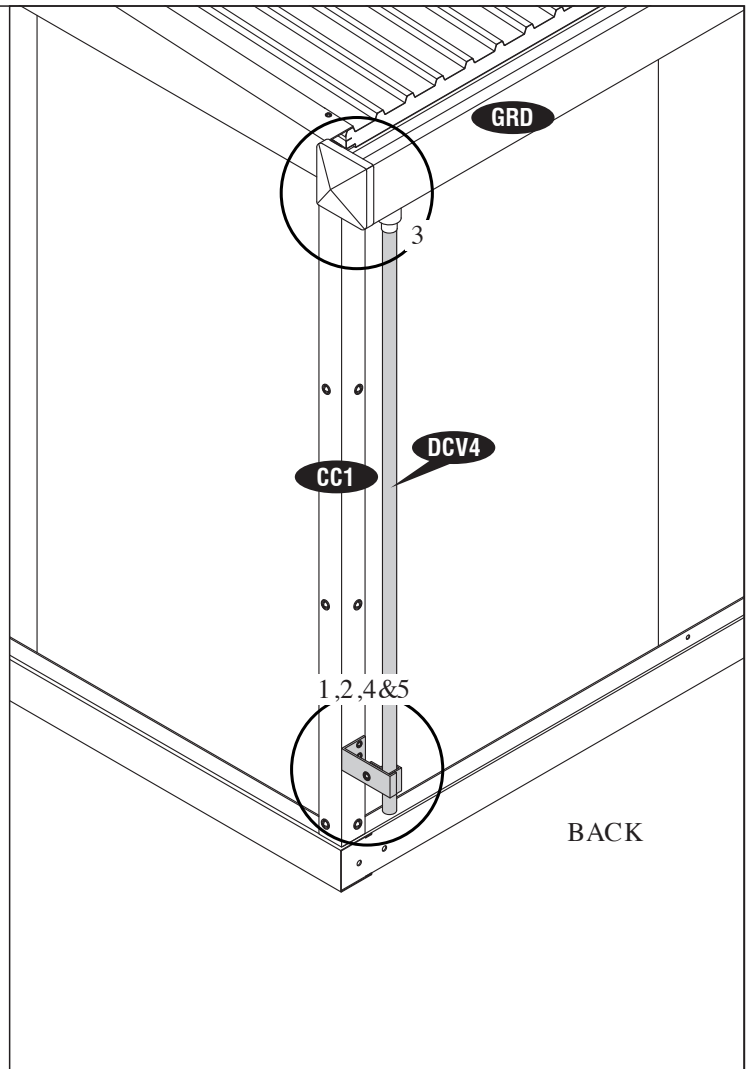


Fig. 1

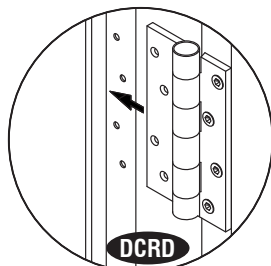


Fig. 2

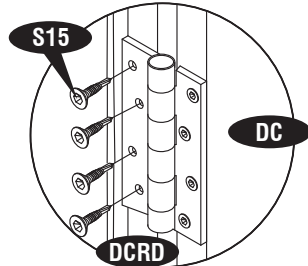
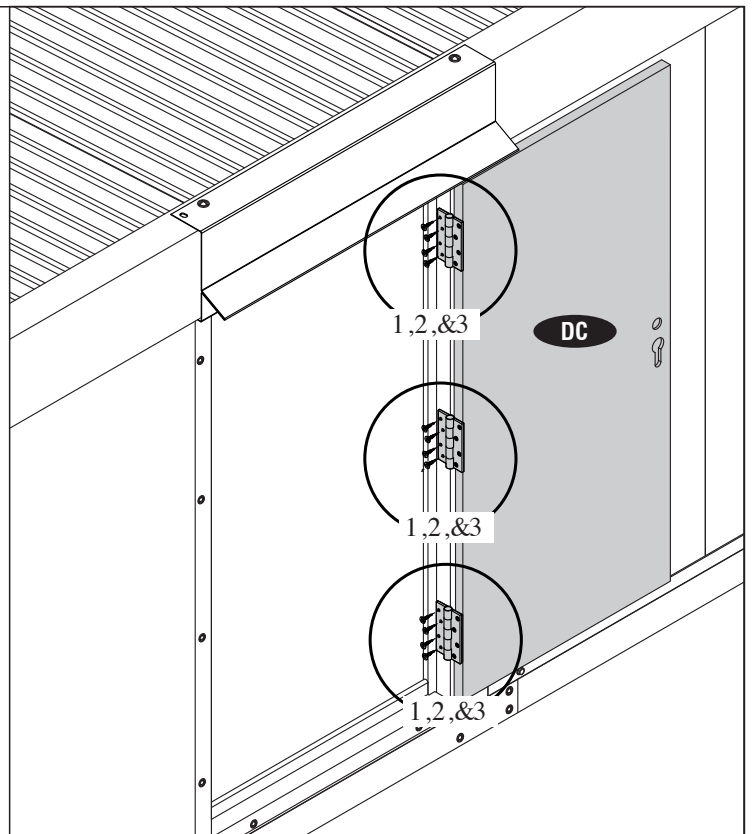


Fig. 3



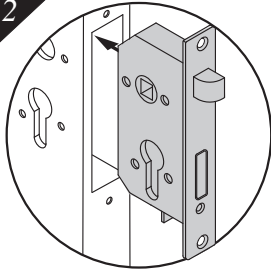


Fig.1

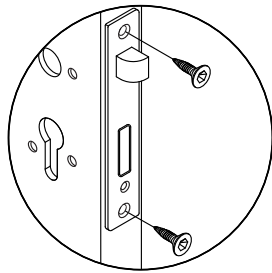


Fig.2

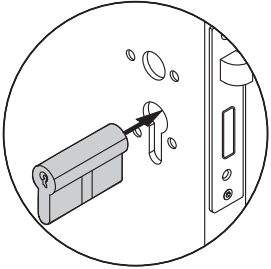


Fig.3

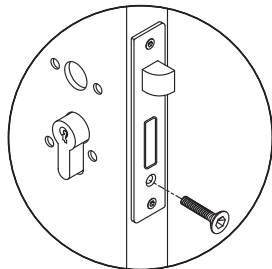


Fig.4

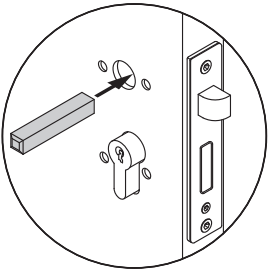


Fig.5

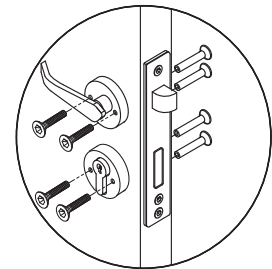


Fig.6

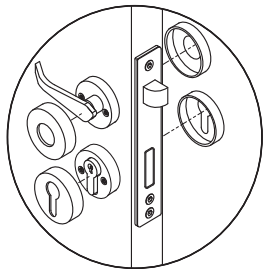


Fig.7

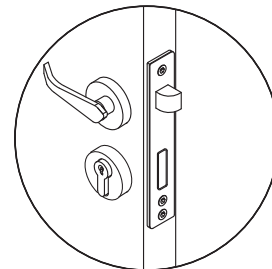
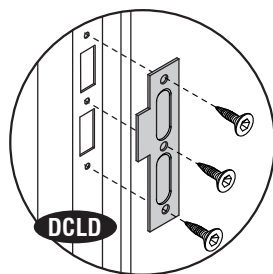
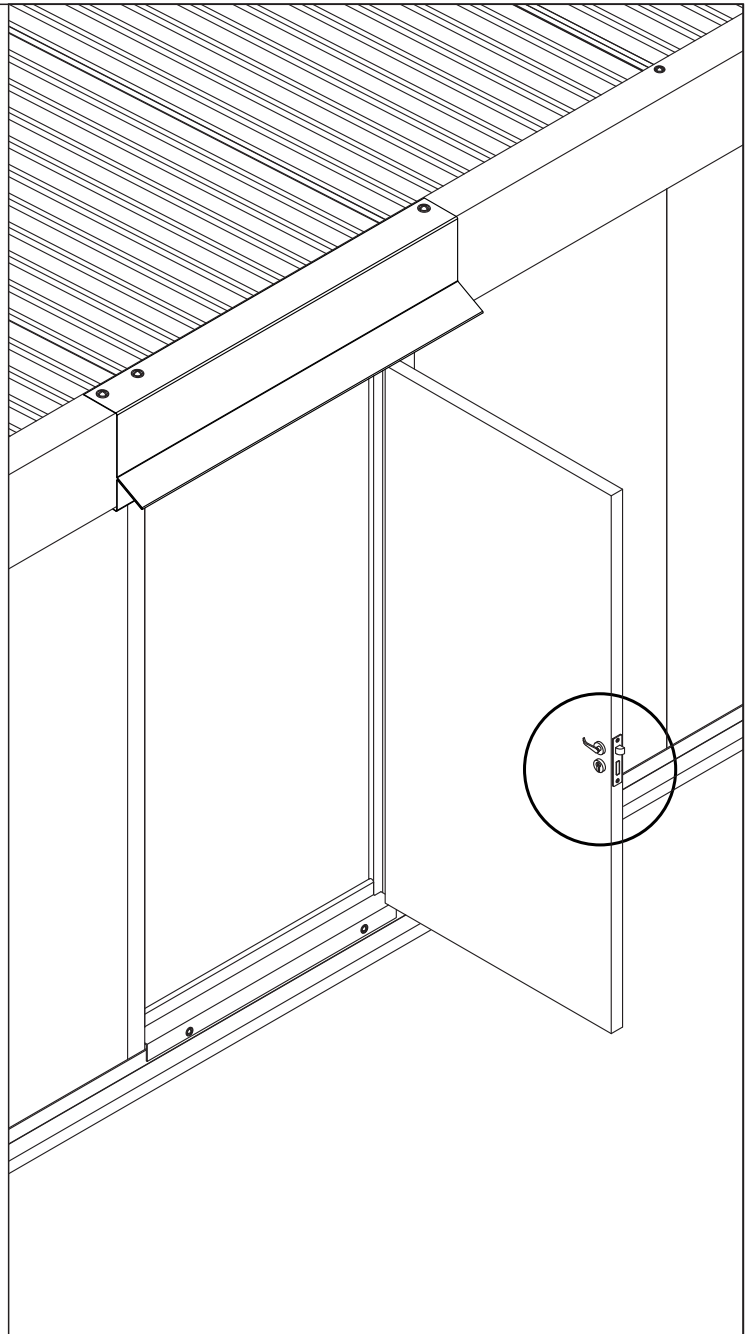
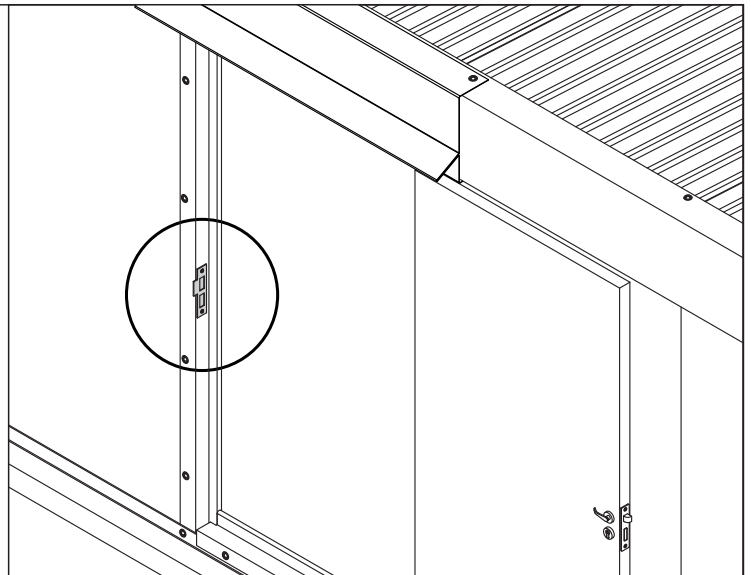


Fig.8

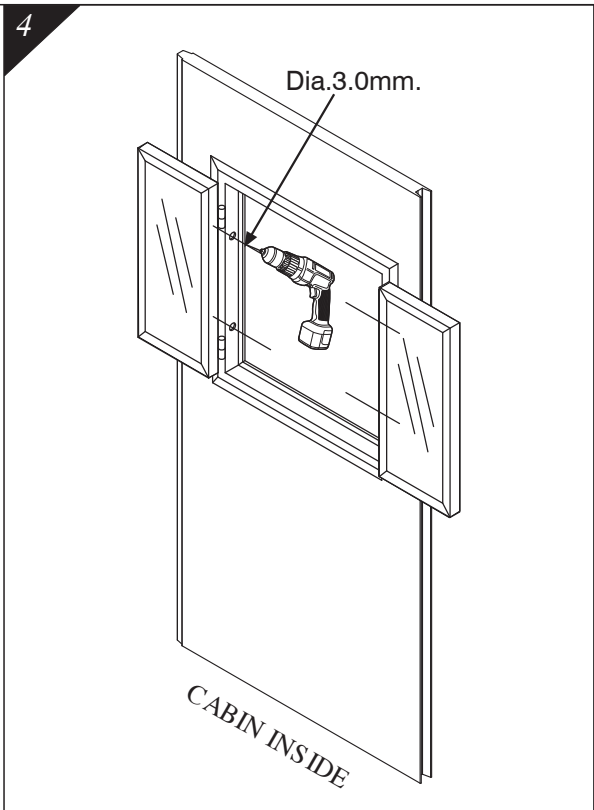
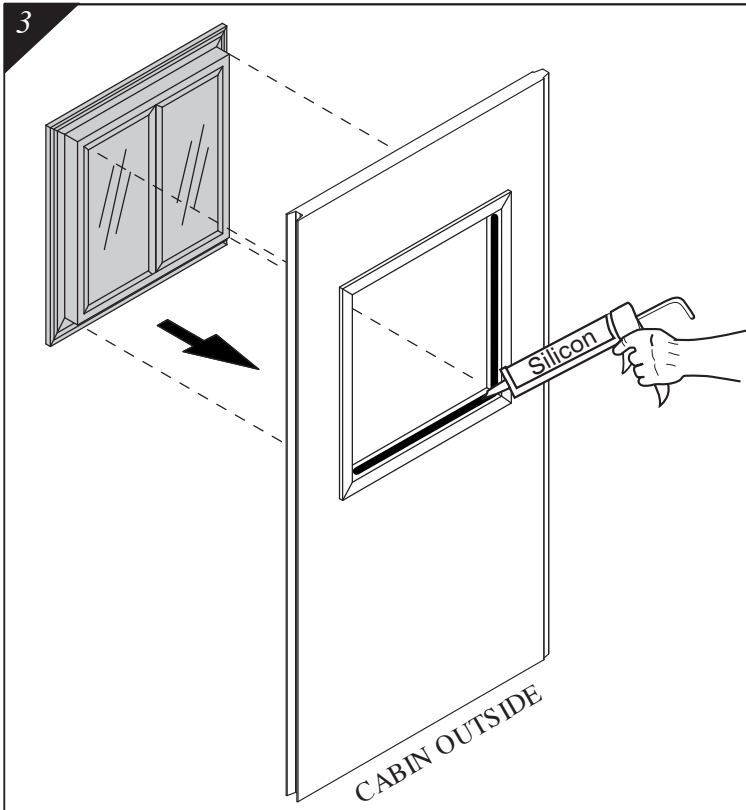
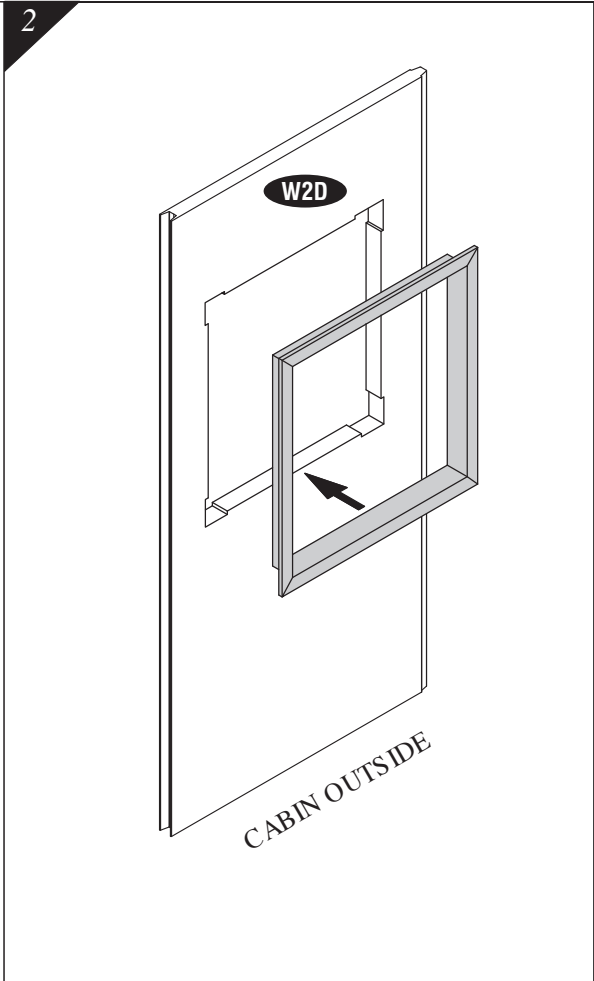
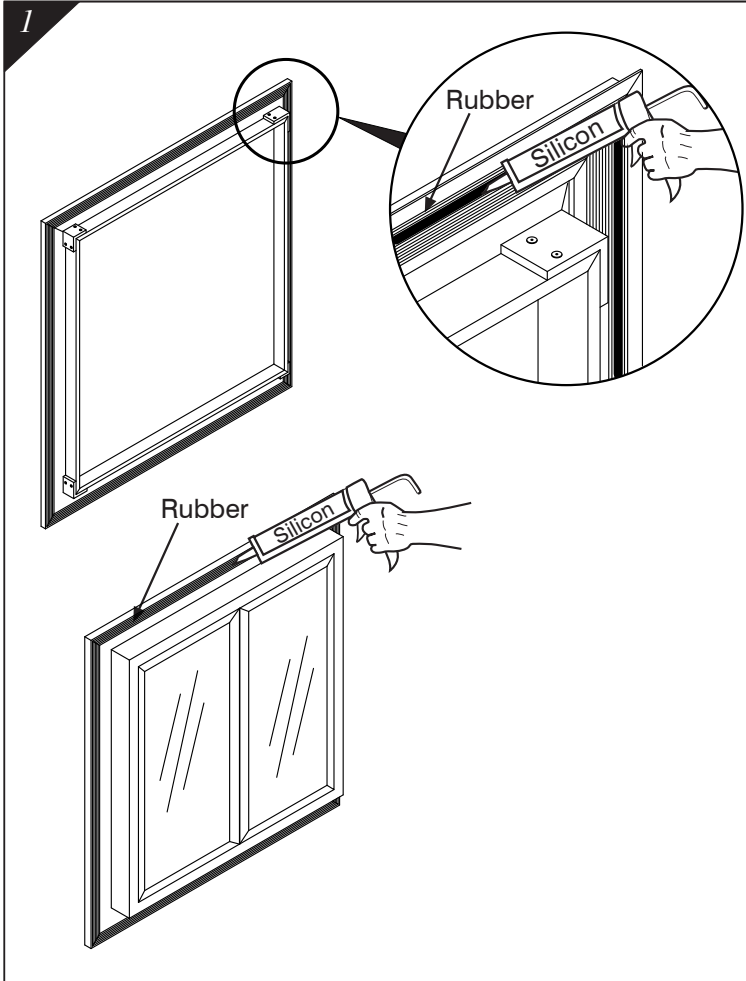


DCLD

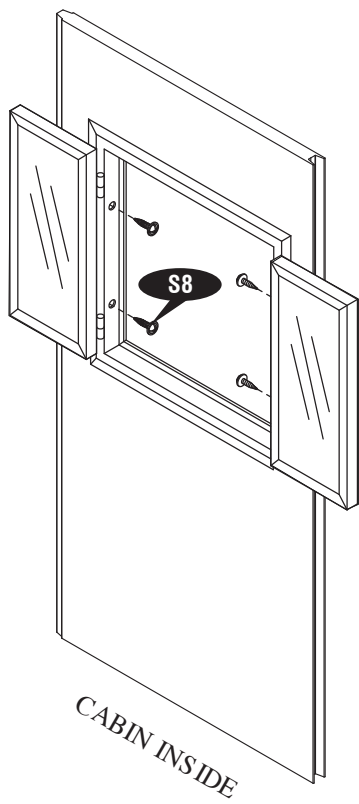


IMPORTANT : USE HAND GLOVES TO PREVENT INJURY.

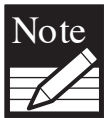
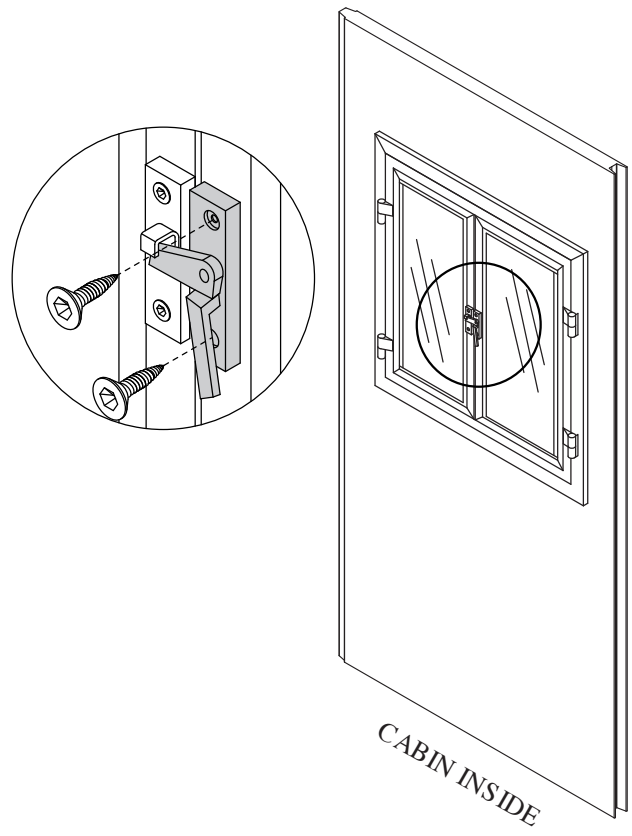
Window Assembly



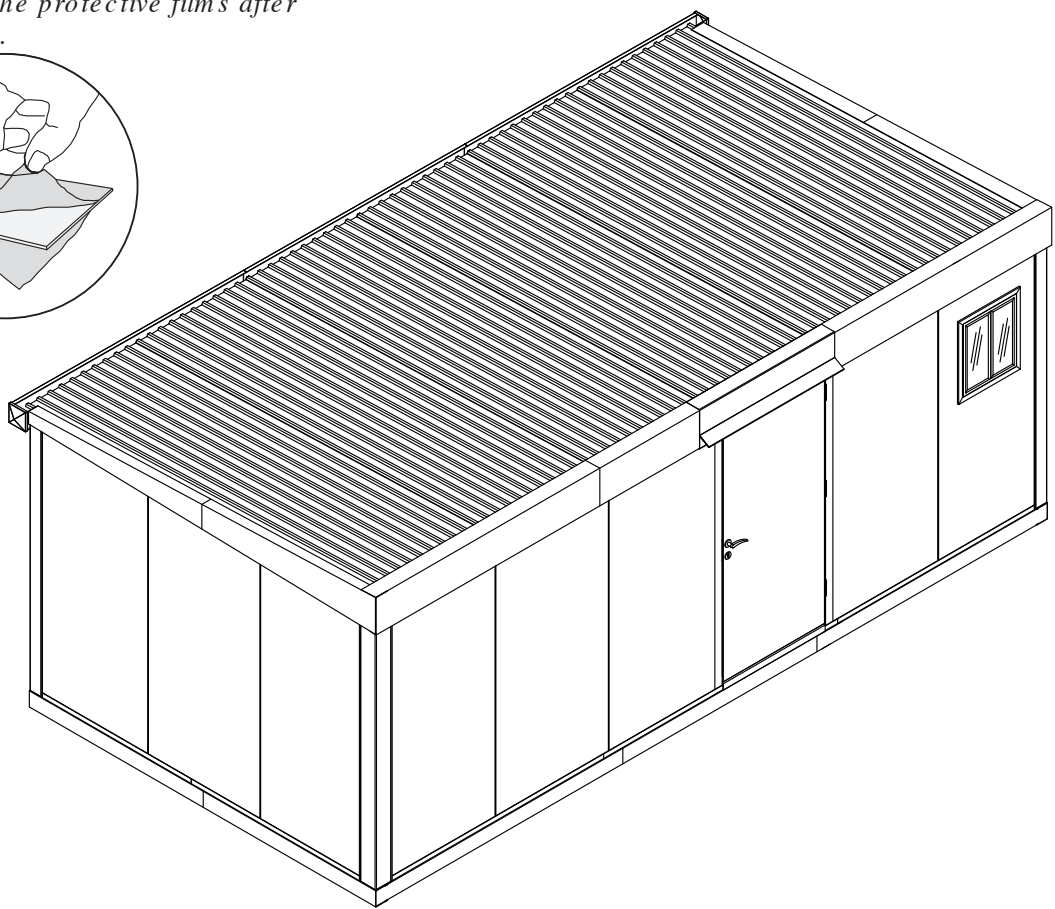
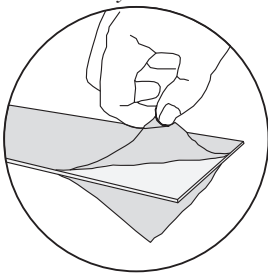
5



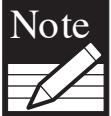
6



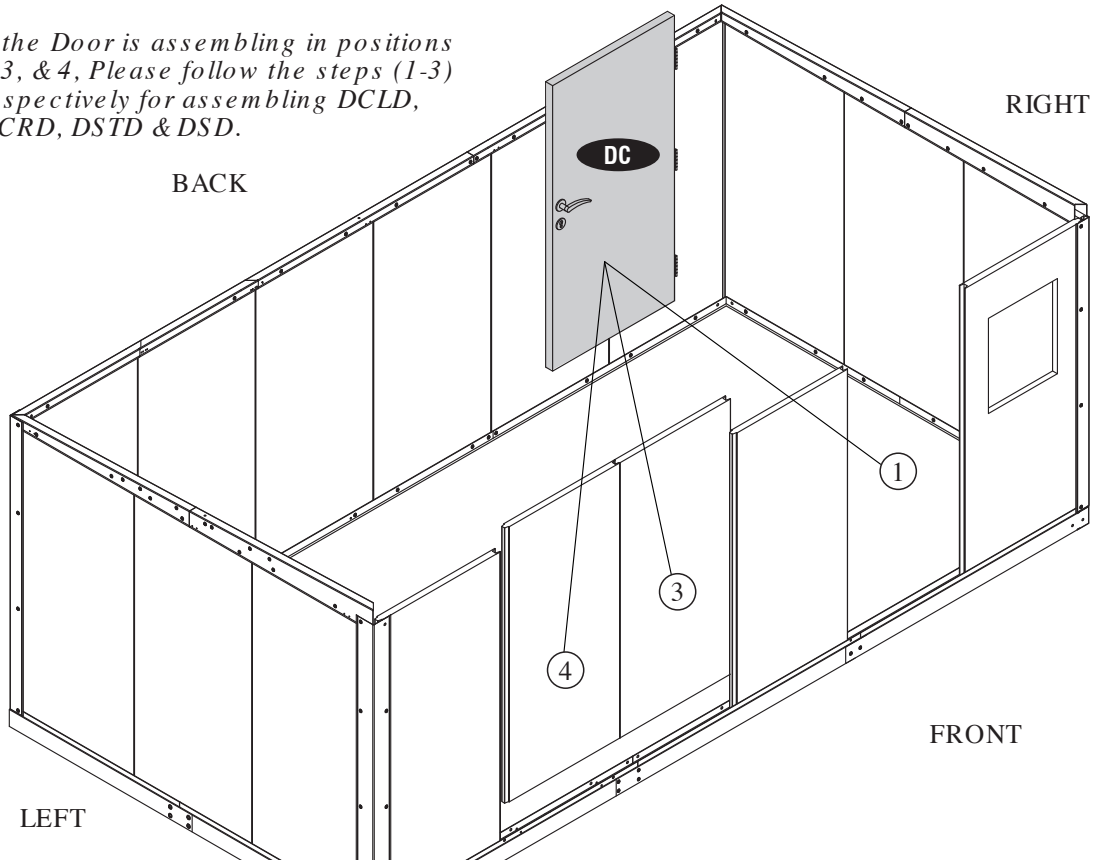
Note Remove the protective films after assembly.



Door Assembly in Positions 1,3, & 4



If the Door is assembling in positions 1,3, & 4, Please follow the steps (1-3) respectively for assembling DCLD, DCRD, DSTD & DSD.



1

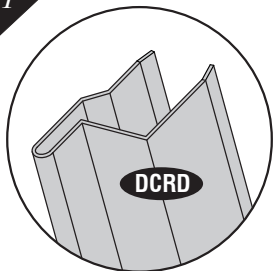


Fig. 1

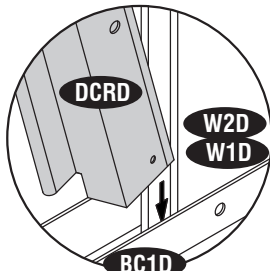


Fig. 2

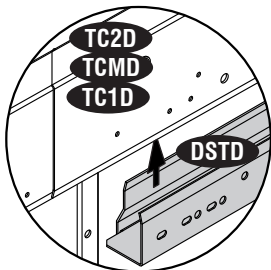
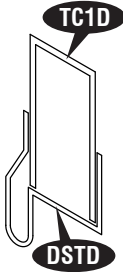


Fig. 3

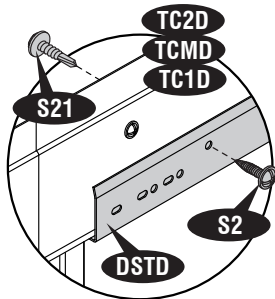
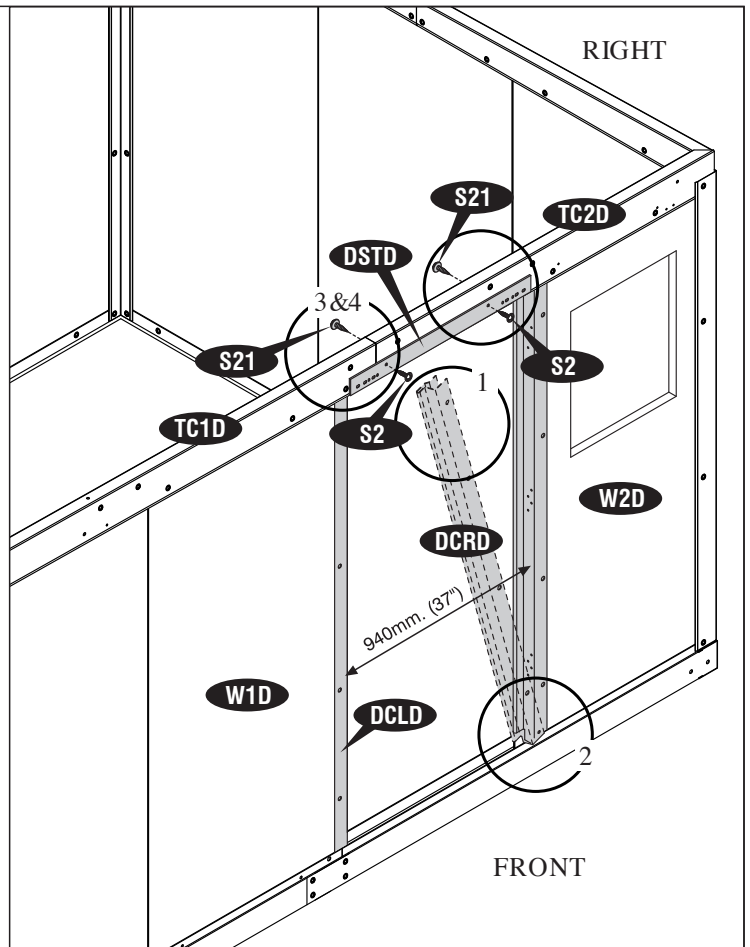


Fig. 4



IMPORTANT : USE HAND GLOVES TO PREVENT INJURY.

2

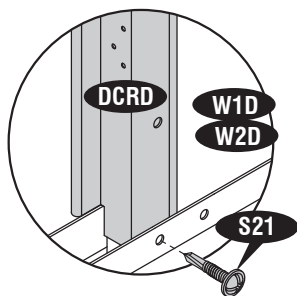


Fig. 1

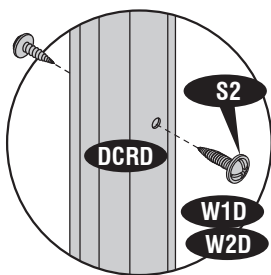
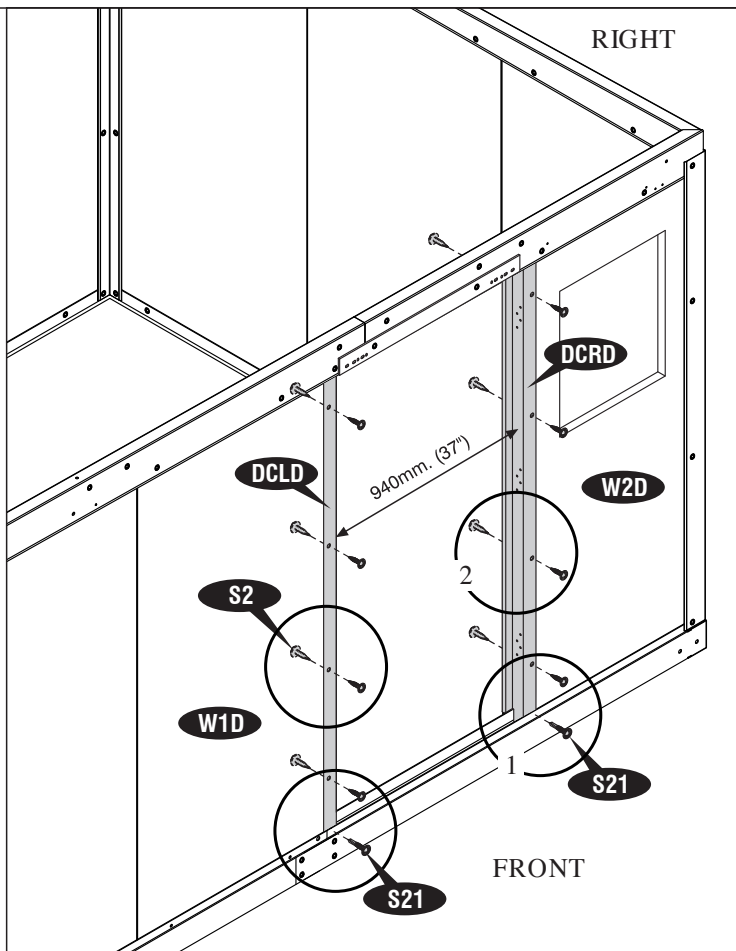
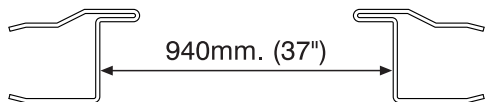


Fig. 2



3

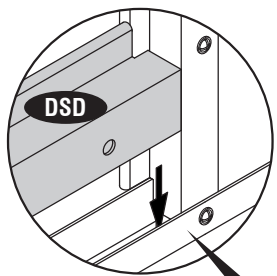


Fig. 1

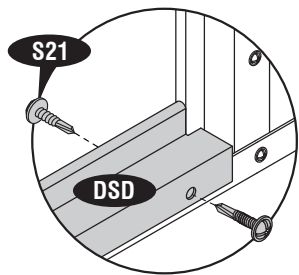
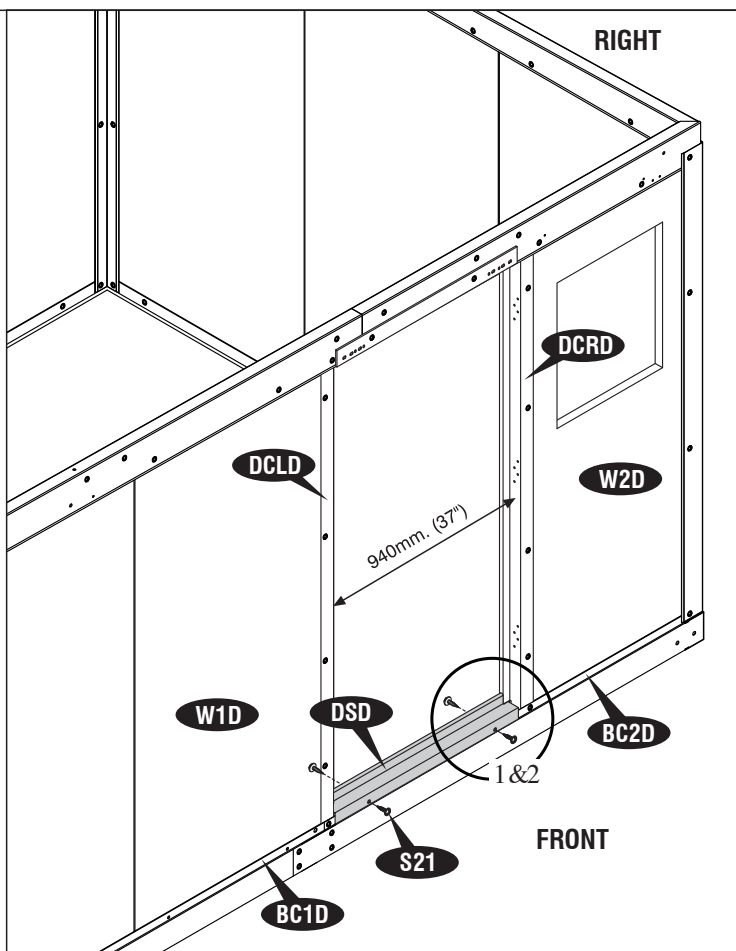
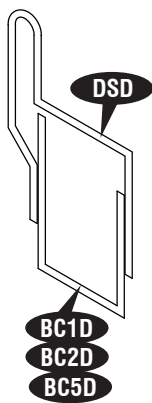


Fig. 2



IMPORTANT : USE HAND GLOVES TO PREVENT INJURY.

Door Assembly in Position - 1

Note



If the Door is assembling in position-1, Please follow below 4 steps (1-4) instead of (37-40) in page (27-28)

1

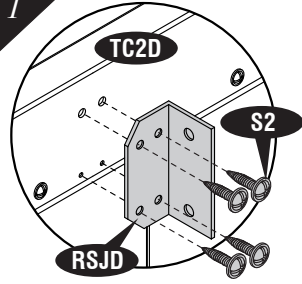


Fig. 1

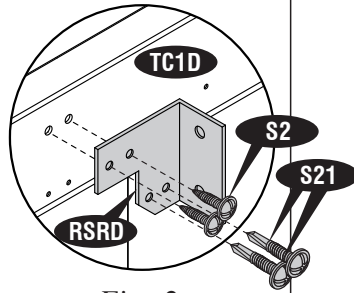


Fig. 2

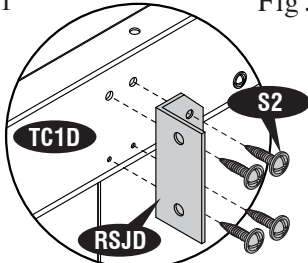


Fig. 3

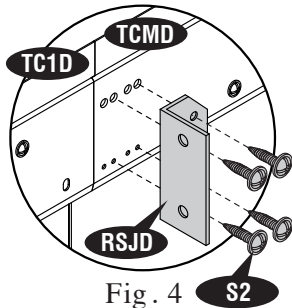


Fig. 4

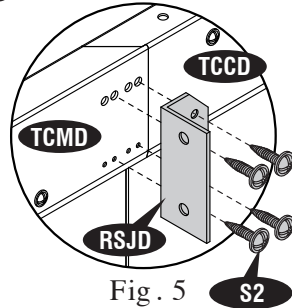
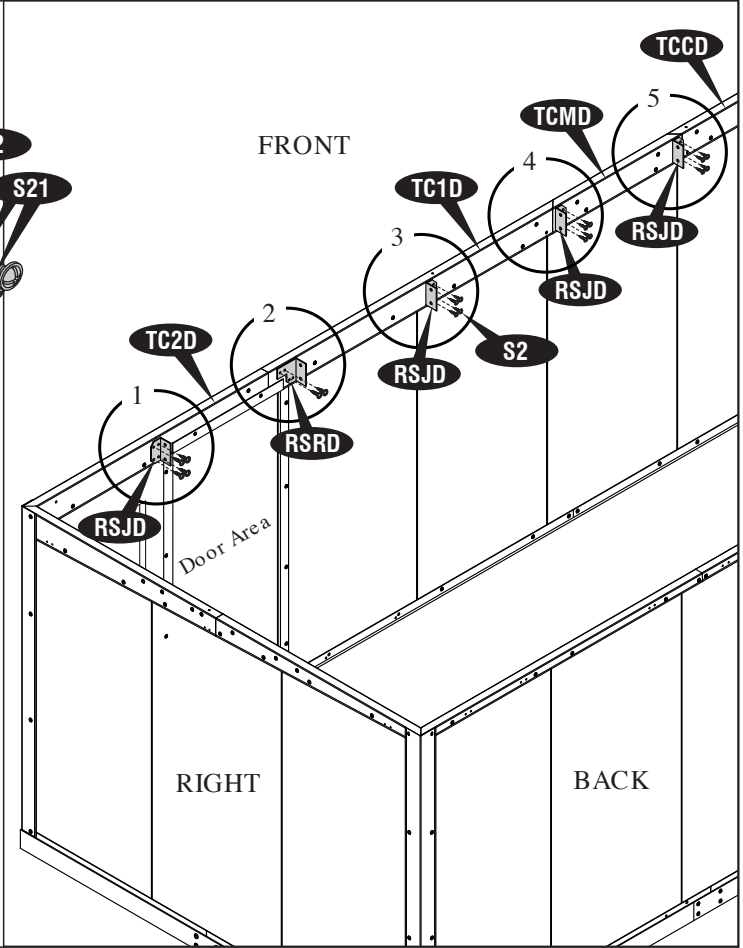


Fig. 5



2

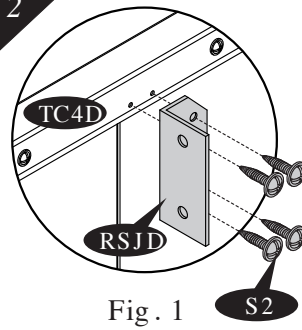


Fig. 1

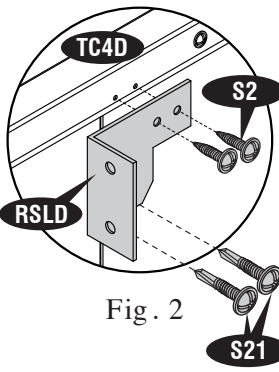


Fig. 2

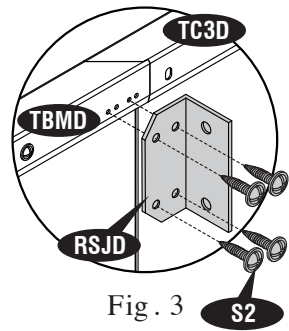


Fig. 3

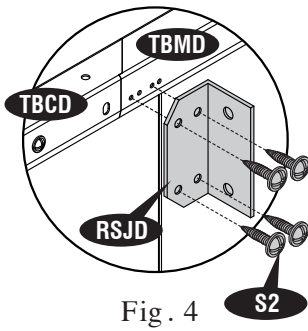
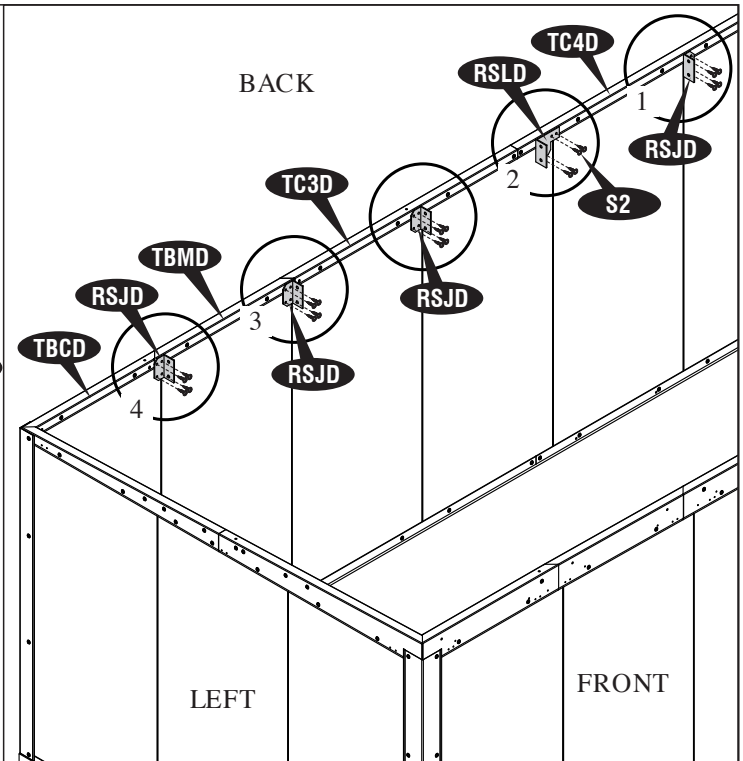


Fig. 4



IMPORTANT : USE HAND GLOVES TO PREVENT INJURY.

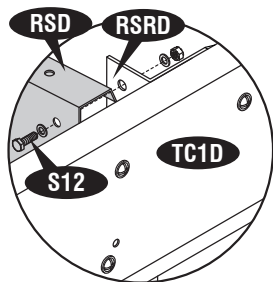


Fig. 1

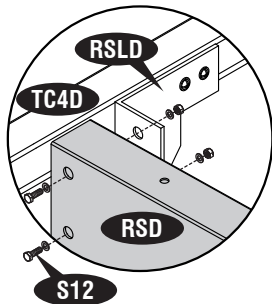


Fig. 2

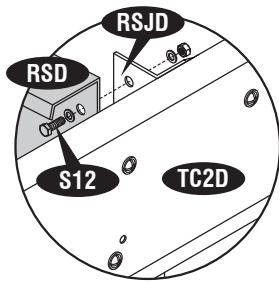


Fig. 3

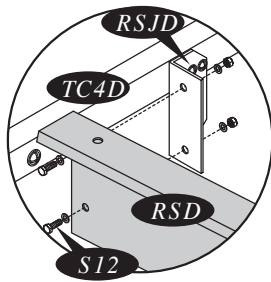


Fig. 4

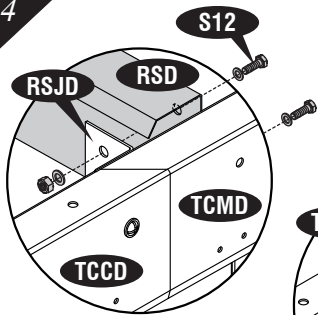
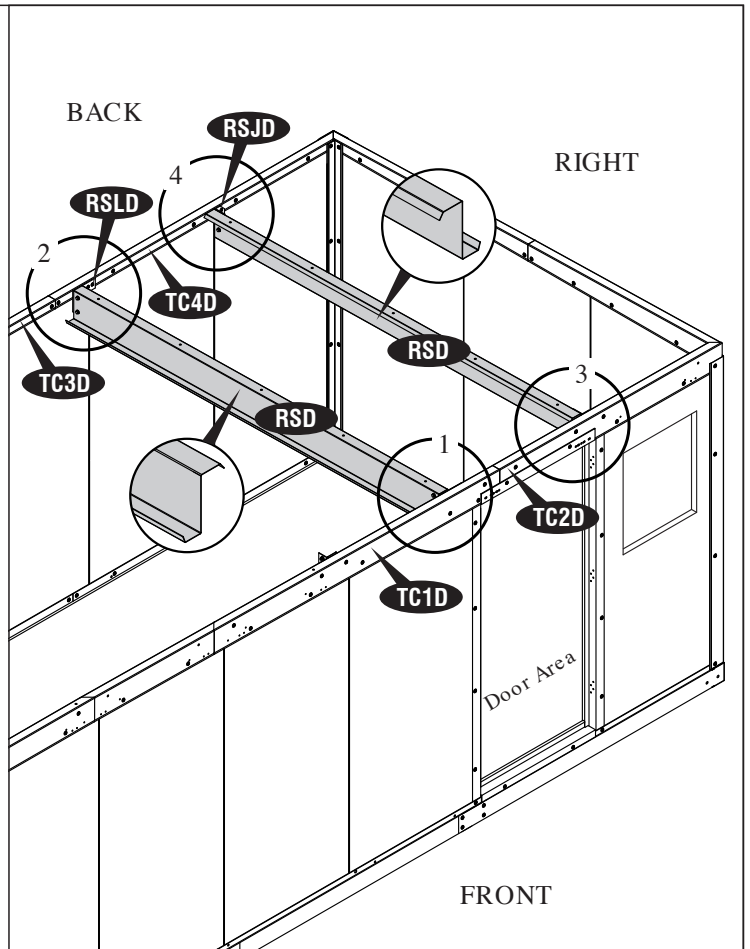


Fig. 1

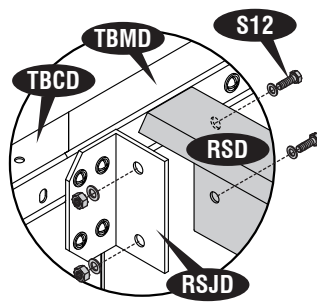


Fig. 2

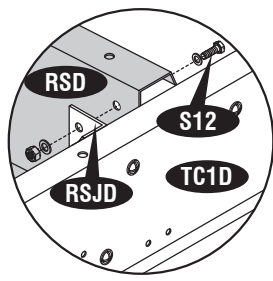


Fig. 3

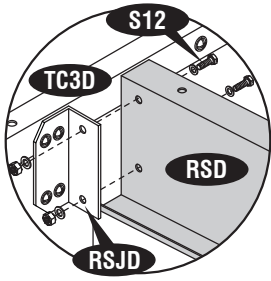
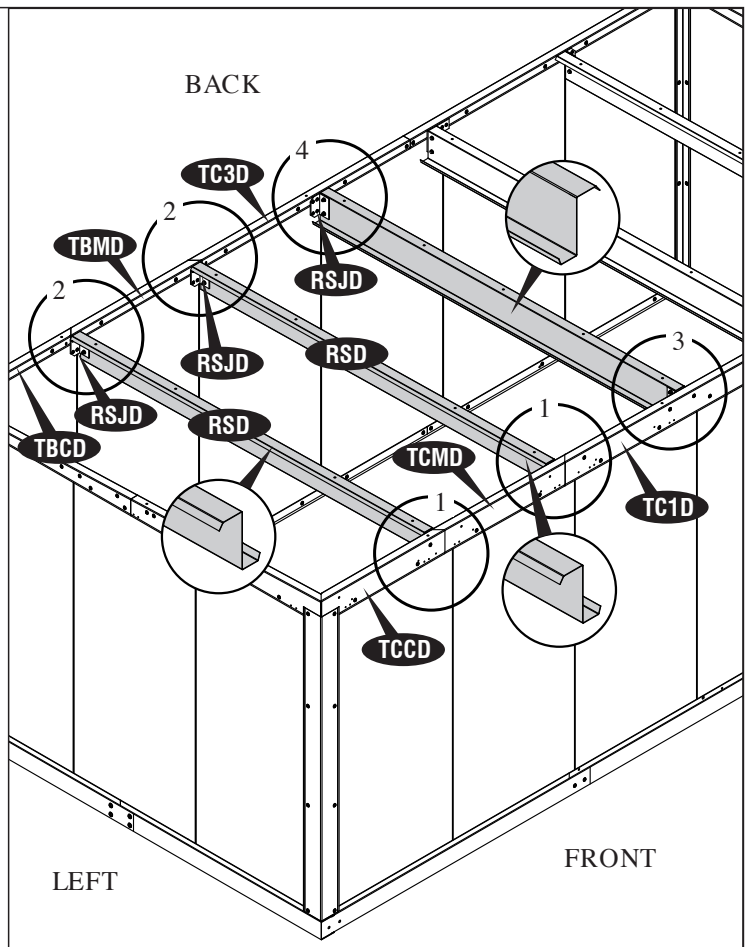


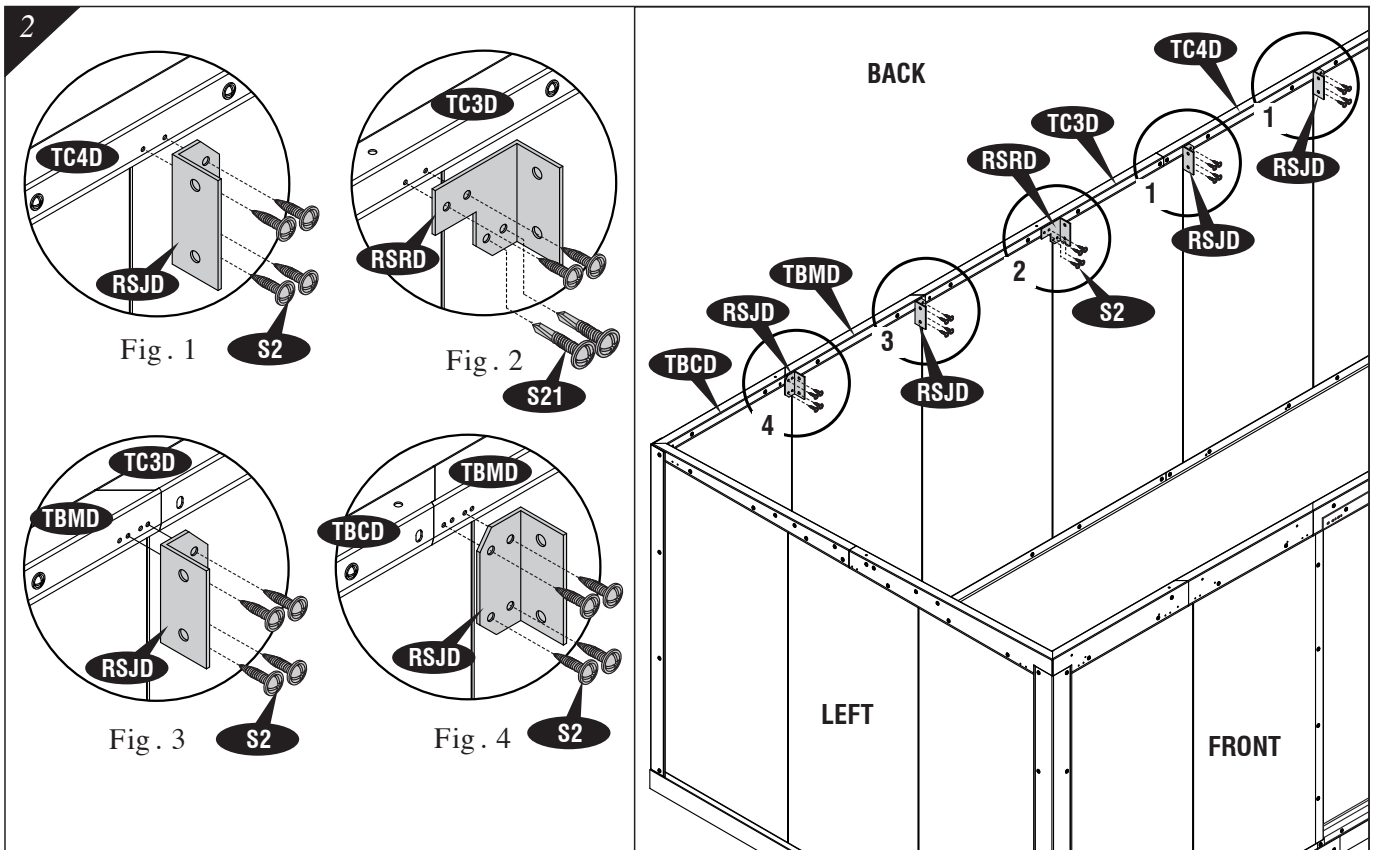
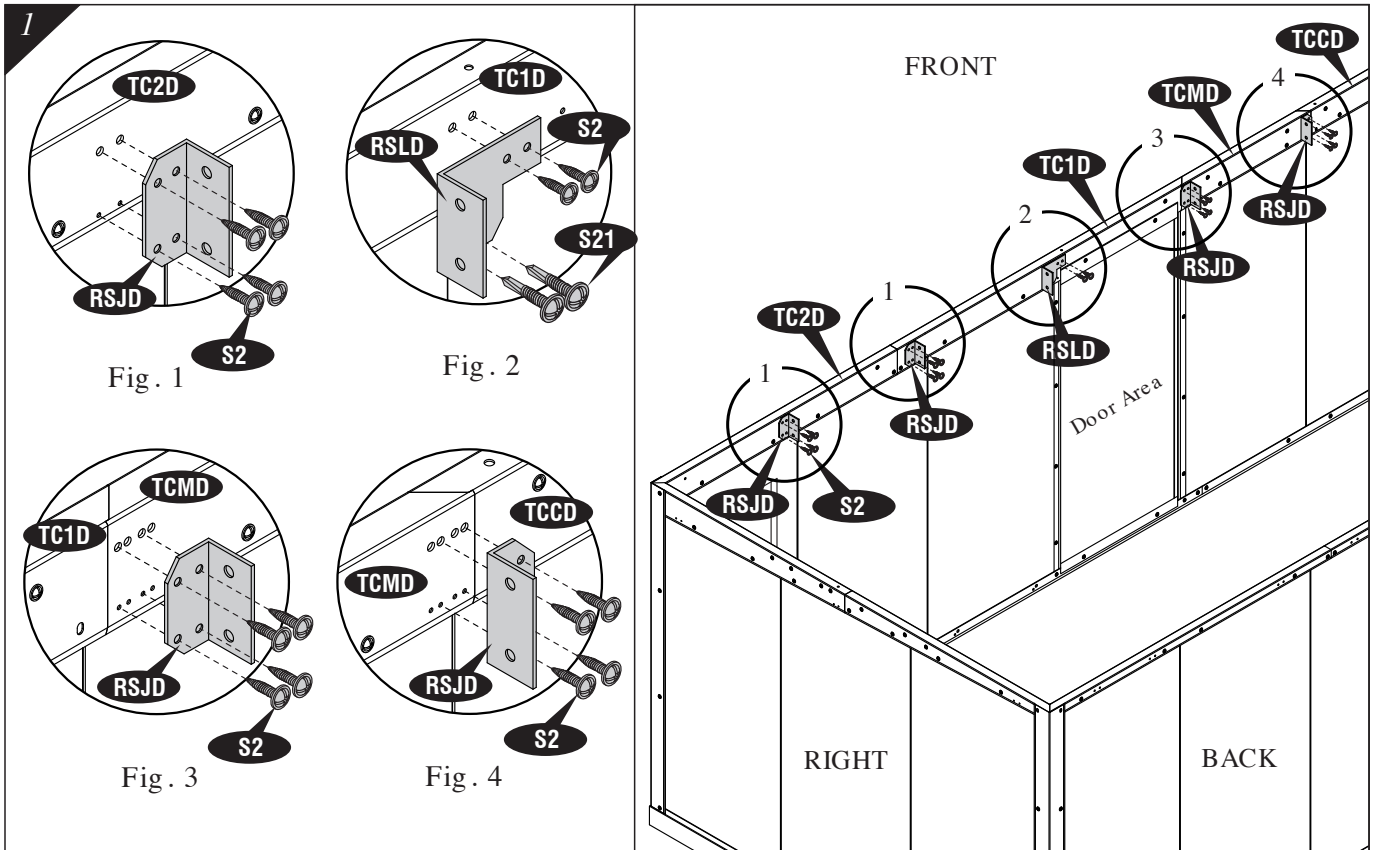
Fig. 4



Door Assembly in Position - 3



If the Door is assembling in position-3, Please follow below 4 steps (1-4) instead of (37-40) in page (27-28)



IMPORTANT : USE HAND GLOVES TO PREVENT INJURY.

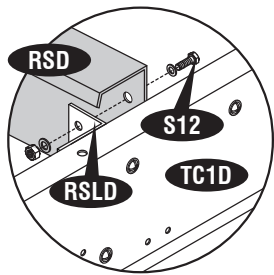


Fig. 1

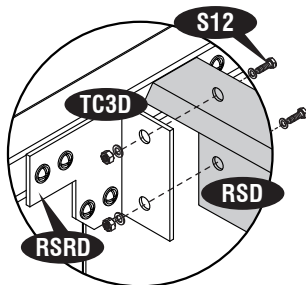


Fig. 2

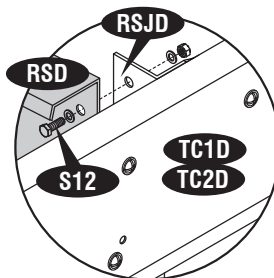


Fig. 3

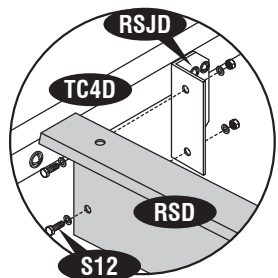


Fig. 4

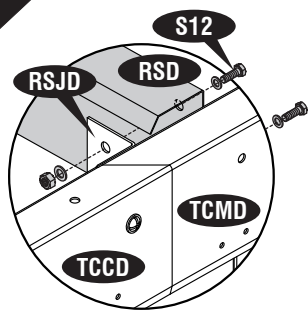
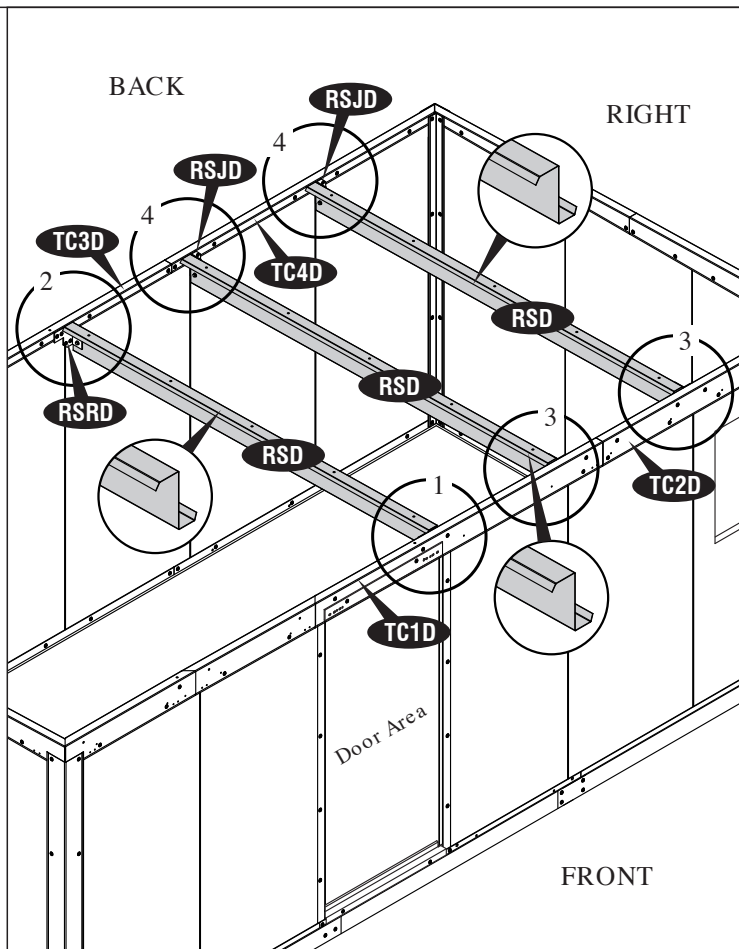


Fig. 1

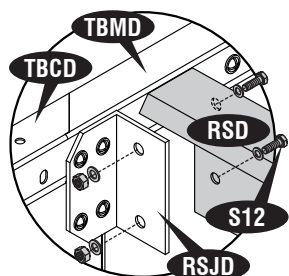


Fig. 2

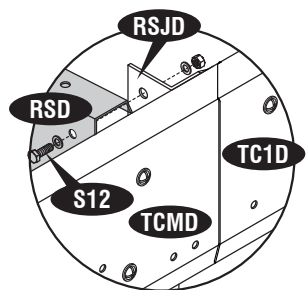


Fig. 3

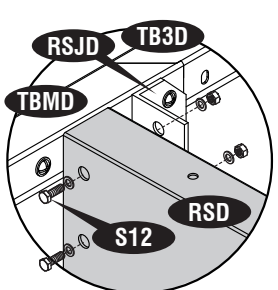
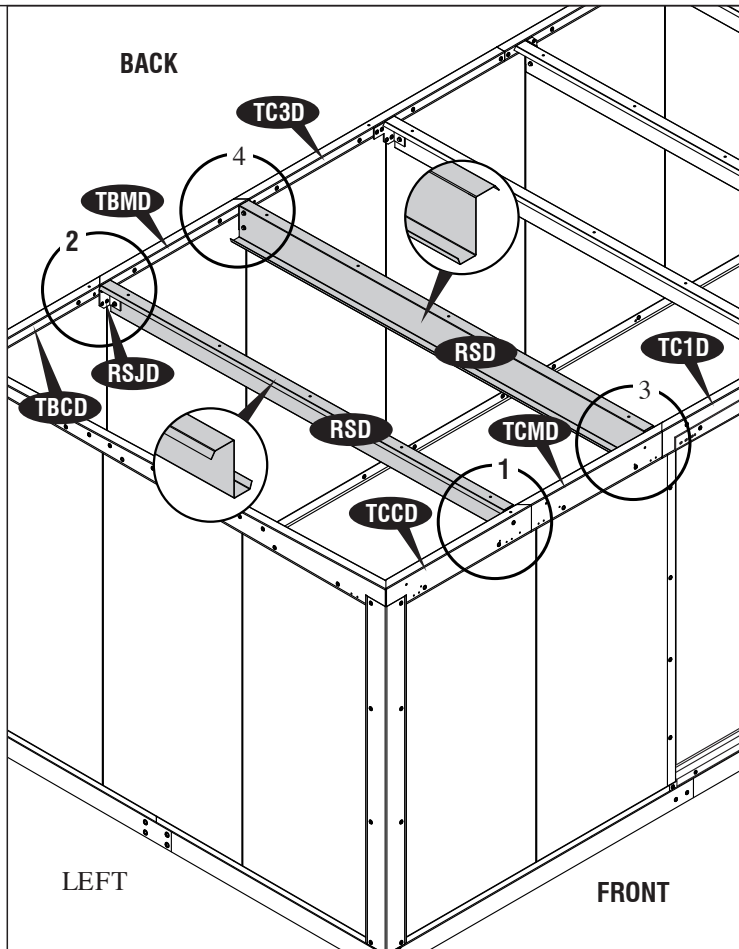


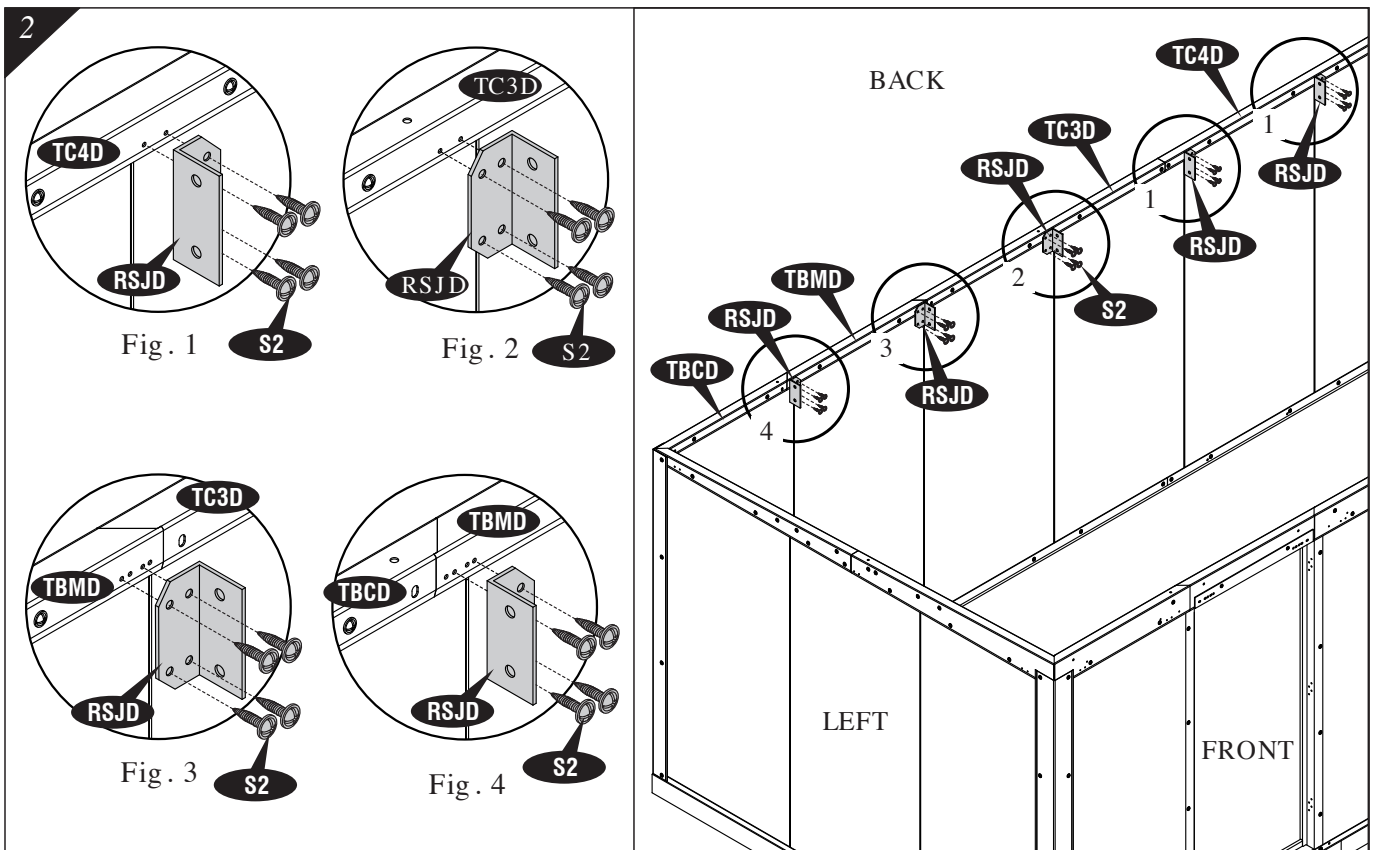
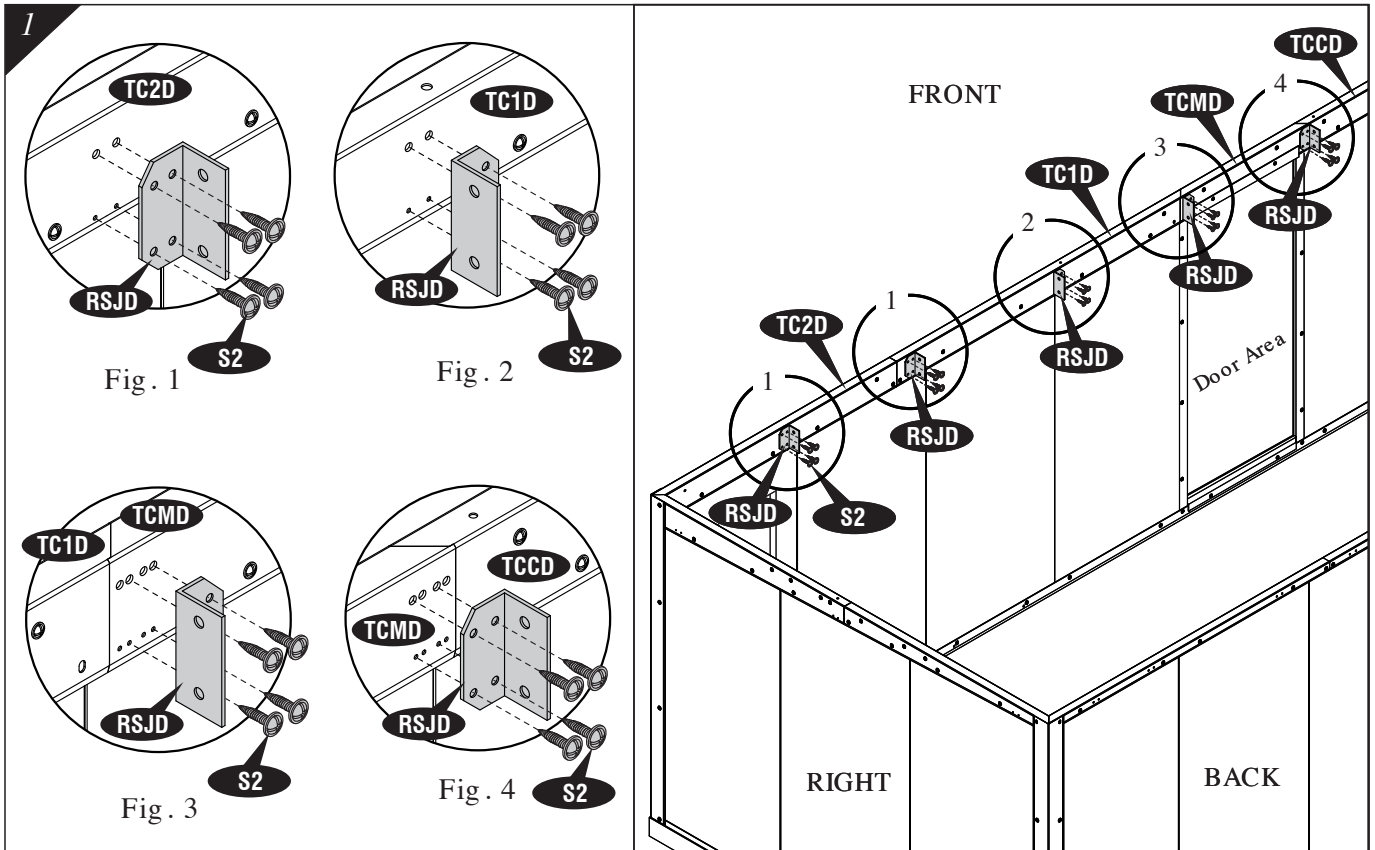
Fig. 4



Door Assembly in Position - 4



If the Door is assembling in position-4, Please follow below 4 steps (1-4) instead of (37-40) in page (27-28)



IMPORTANT : USE HAND GLOVES TO PREVENT INJURY.

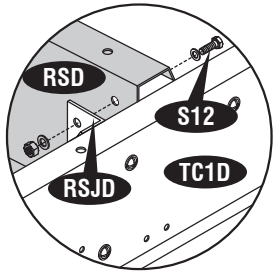


Fig. 1

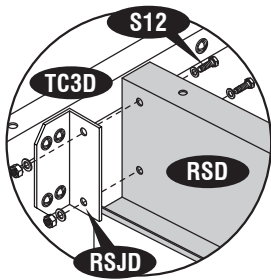


Fig. 2

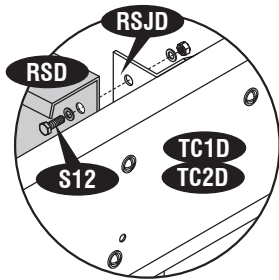


Fig. 3

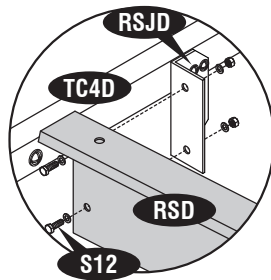


Fig. 4

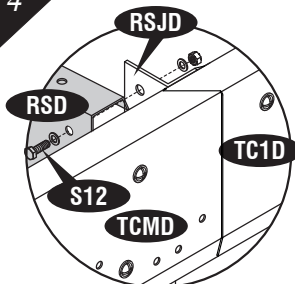
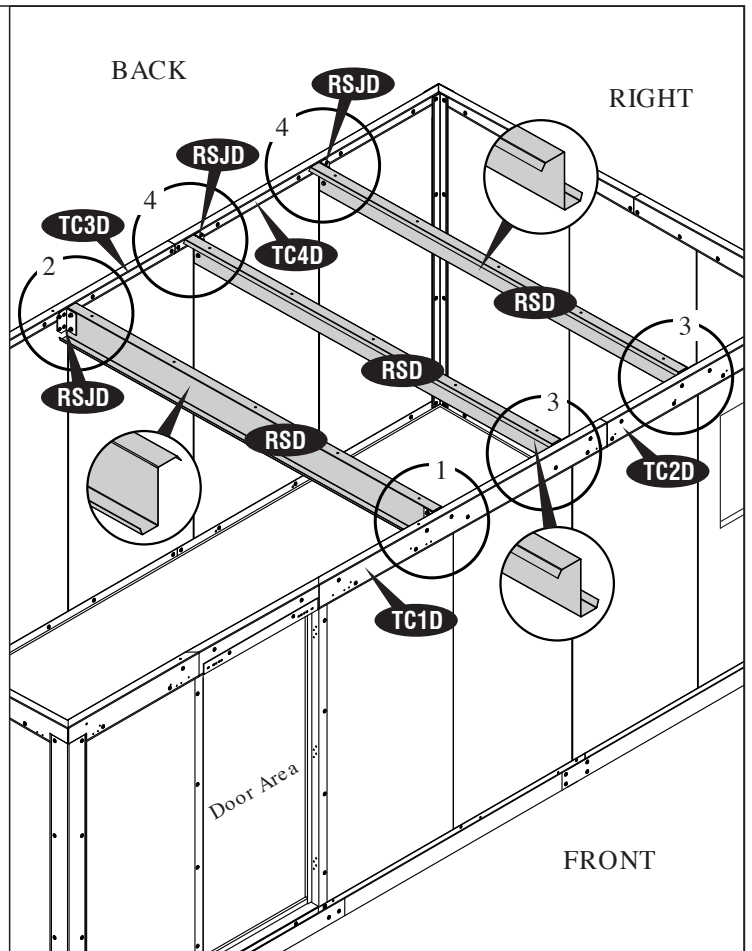


Fig. 1

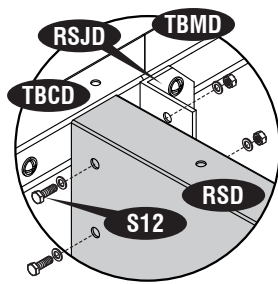


Fig. 2

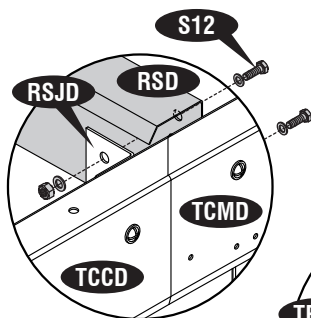


Fig. 3

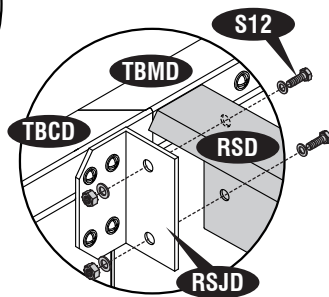
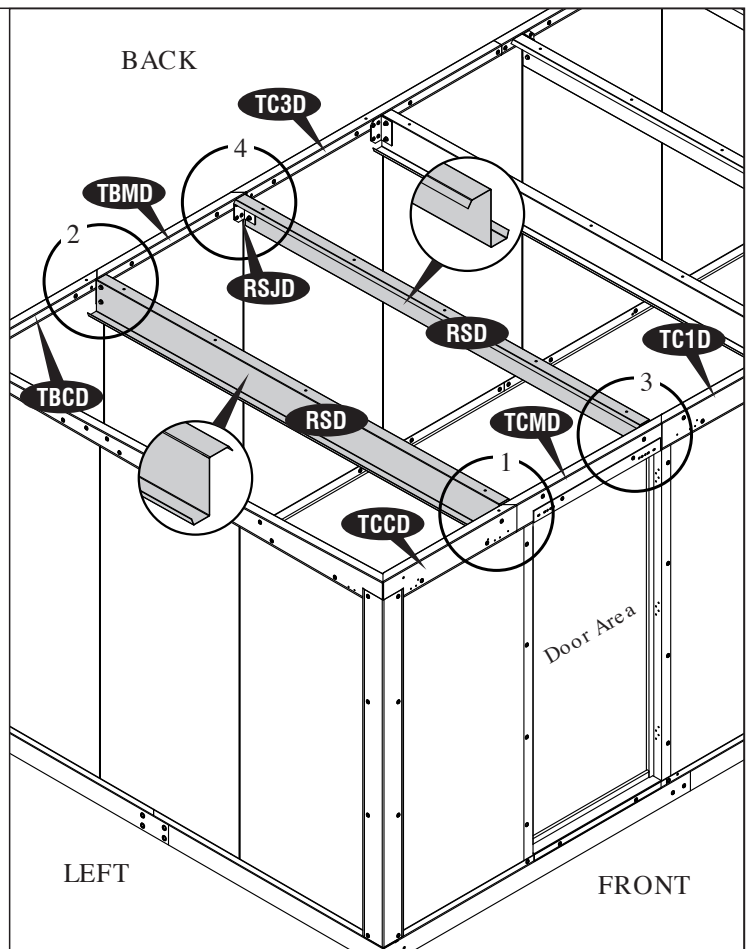


Fig. 4



IMPORTANT : USE HAND GLOVES TO PREVENT INJURY.



If the Door is assembling in positions 1,3, & 4, Please follow the steps for assembling RF7D.

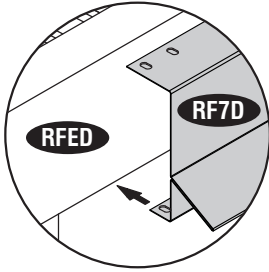


Fig. 1

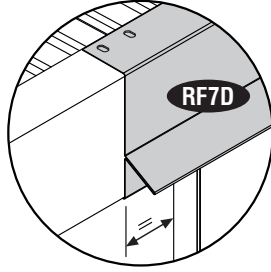


Fig. 2

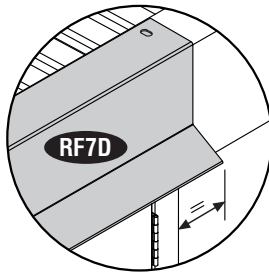


Fig. 3

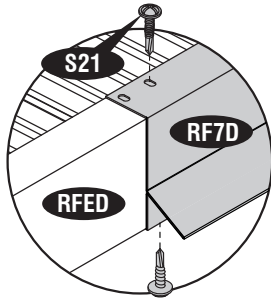
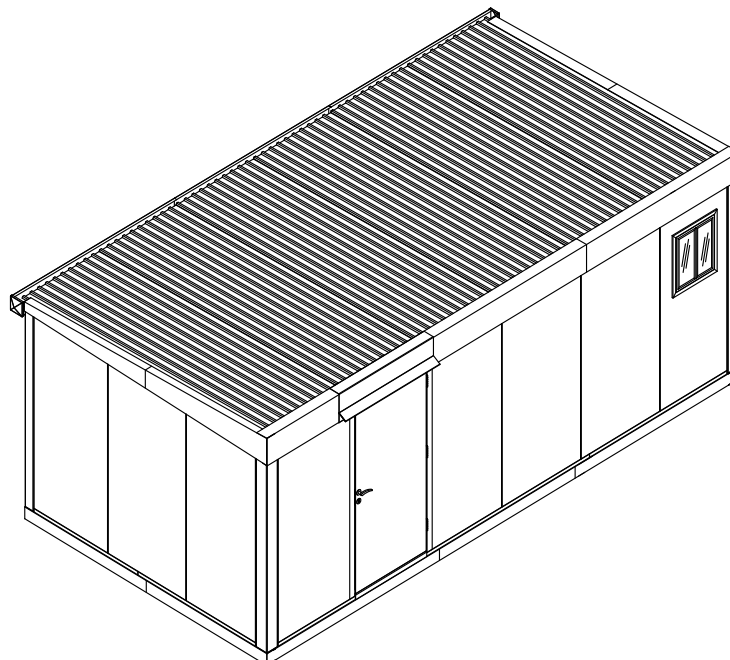
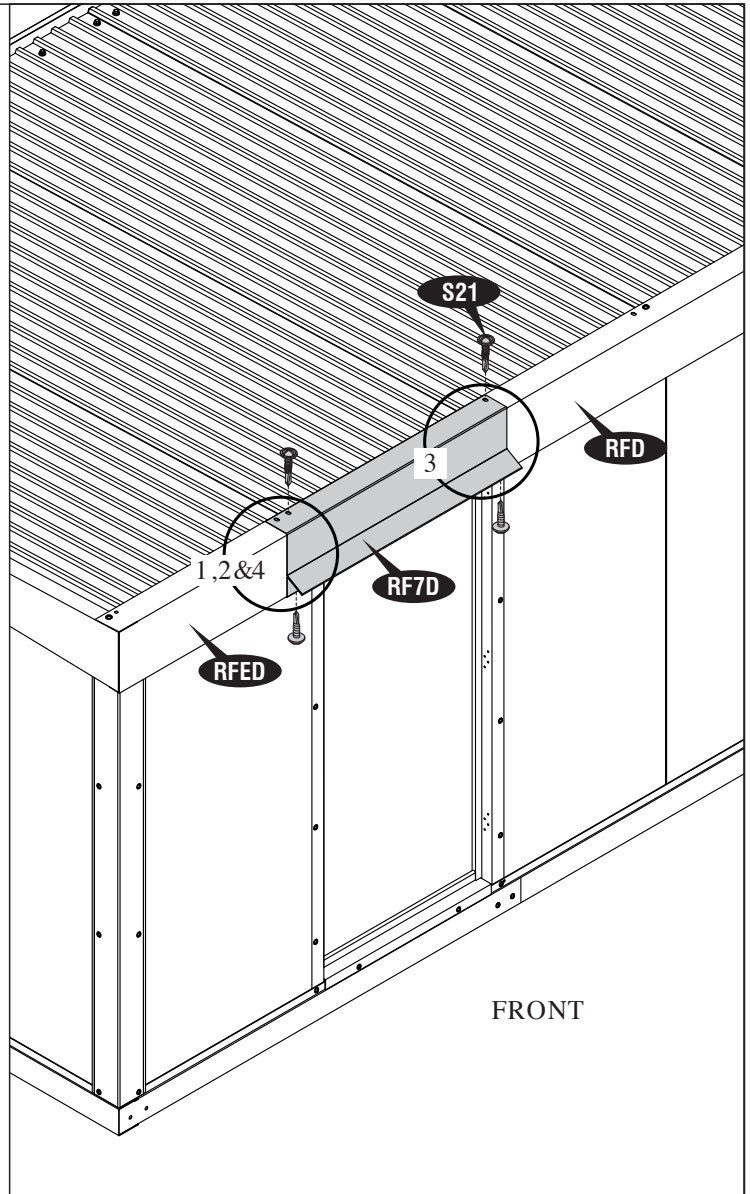
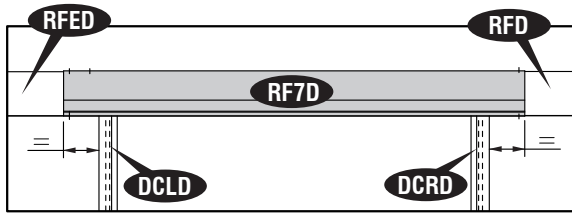
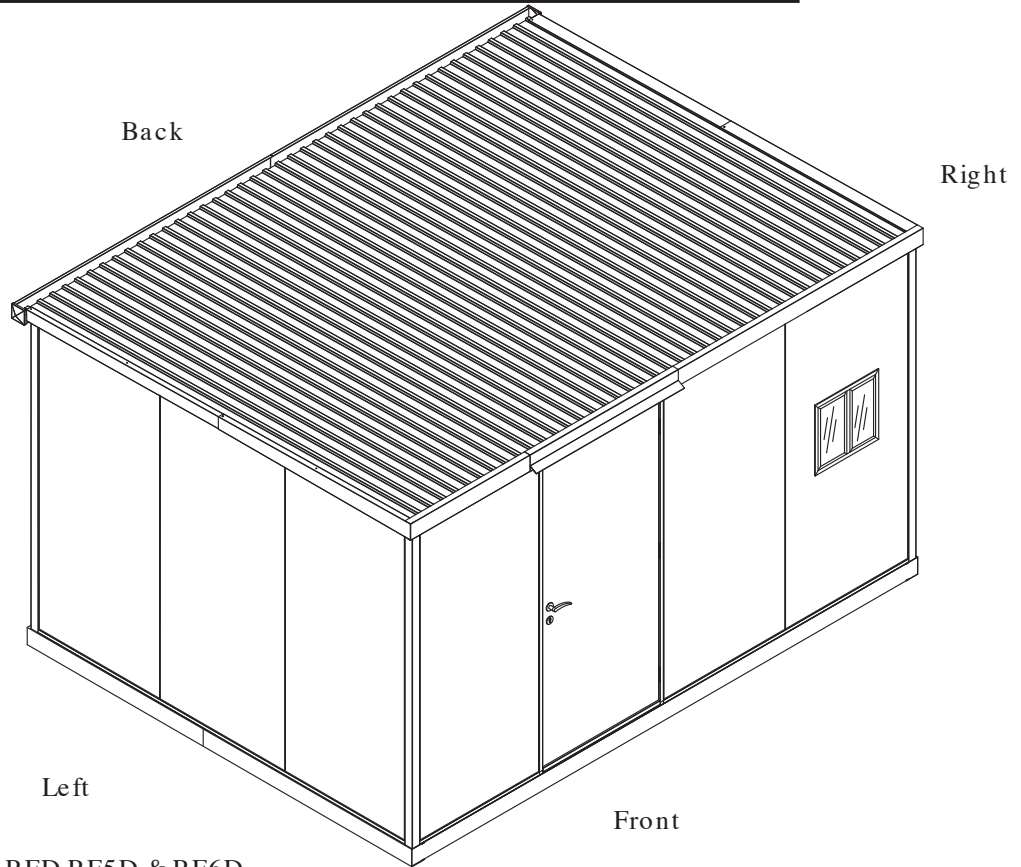


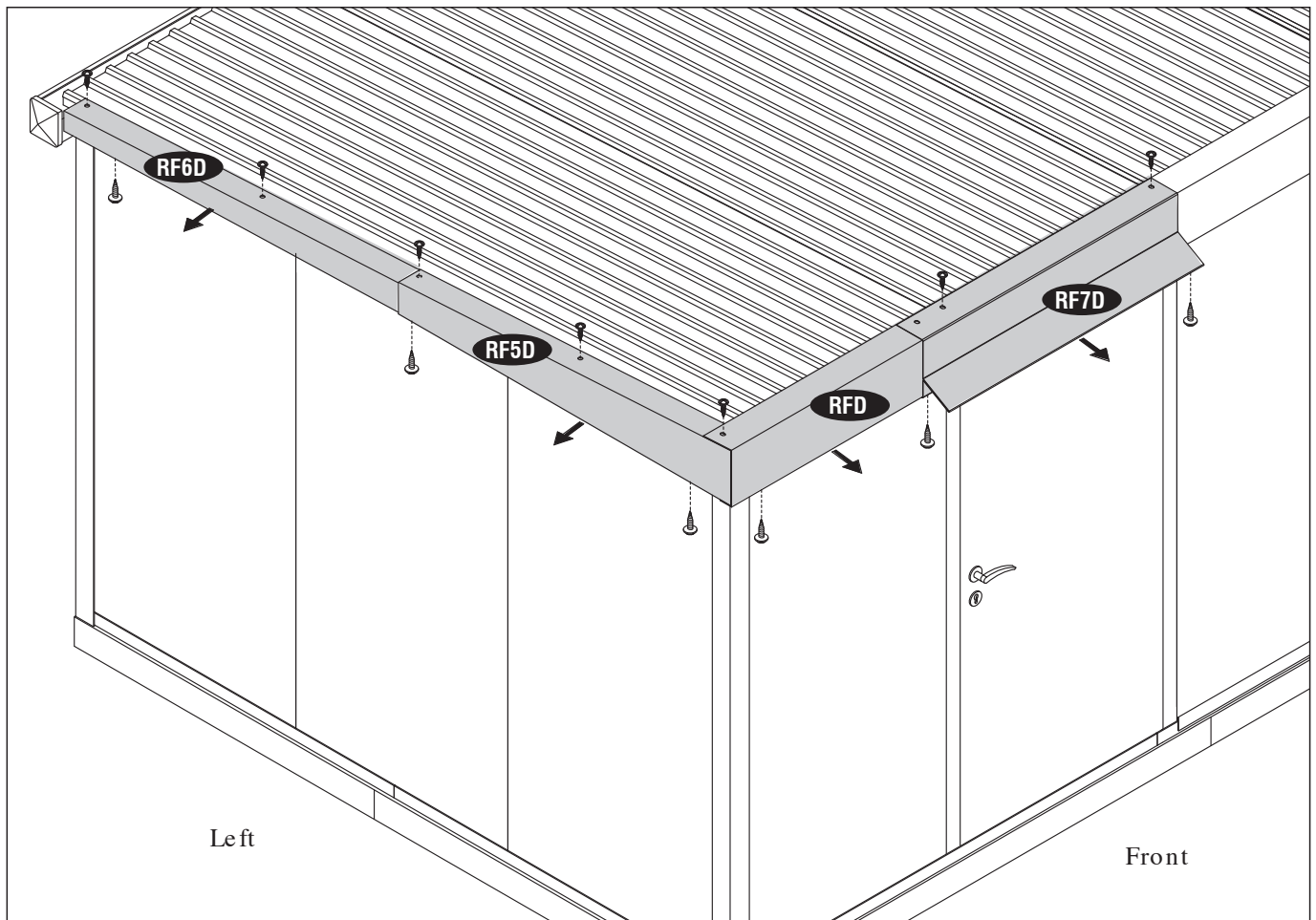
Fig. 4



PART 2 : Adding Extension Kit to Existing Cabin

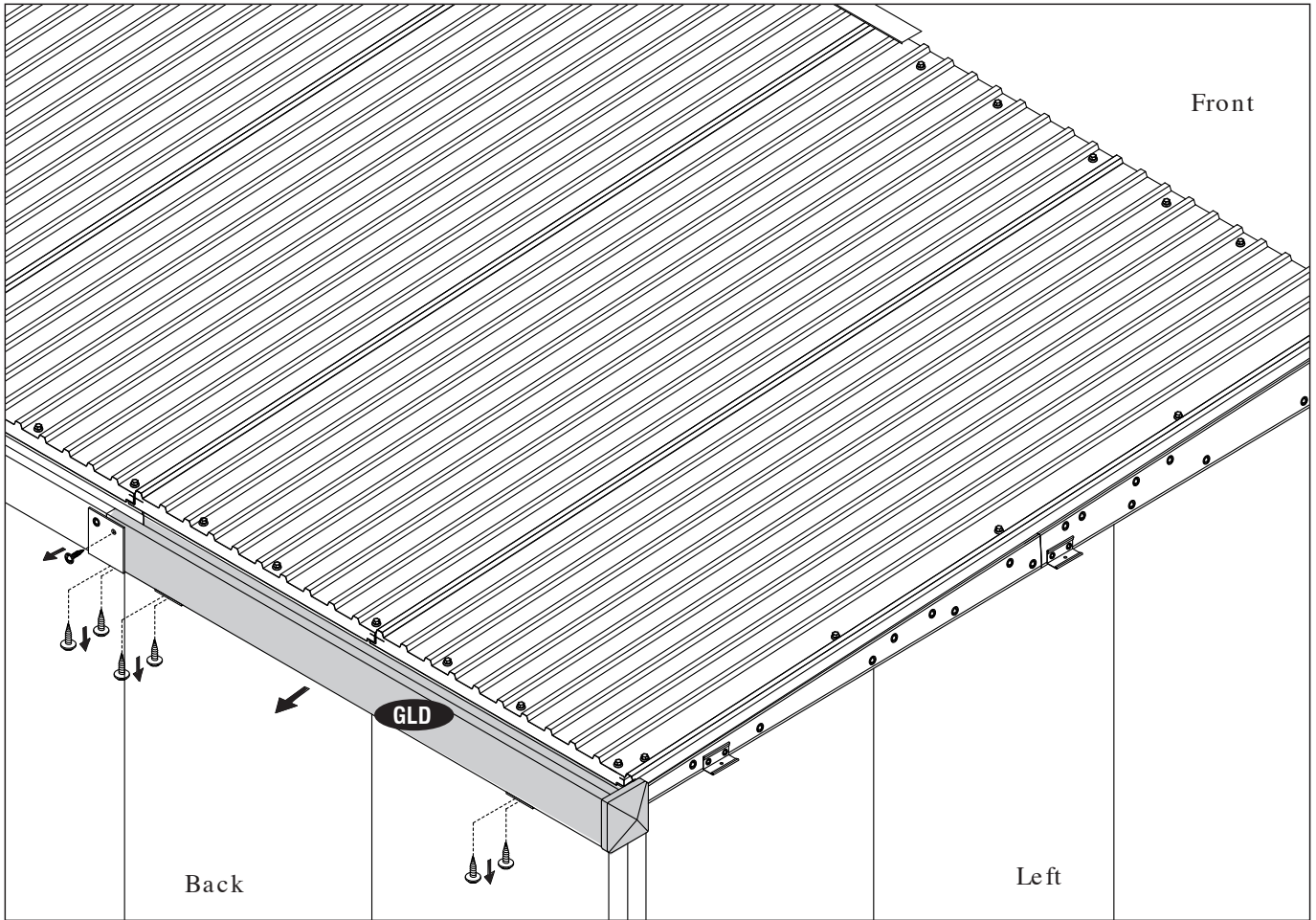


Step 1. Remove RF7D, RFD, RF5D & RF6D.

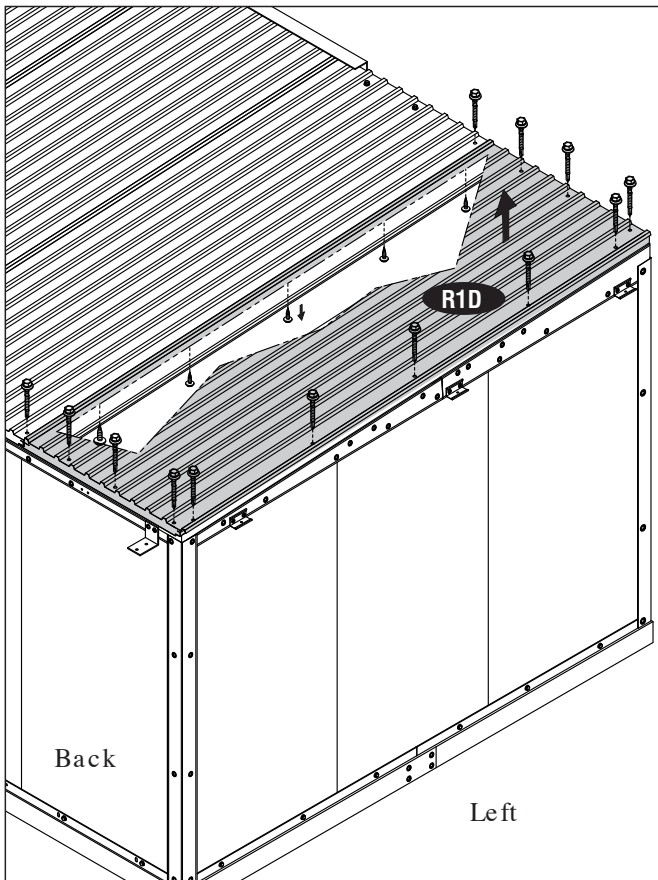


IMPORTANT: USE HAND GLOVES TO PREVENT INJURY.

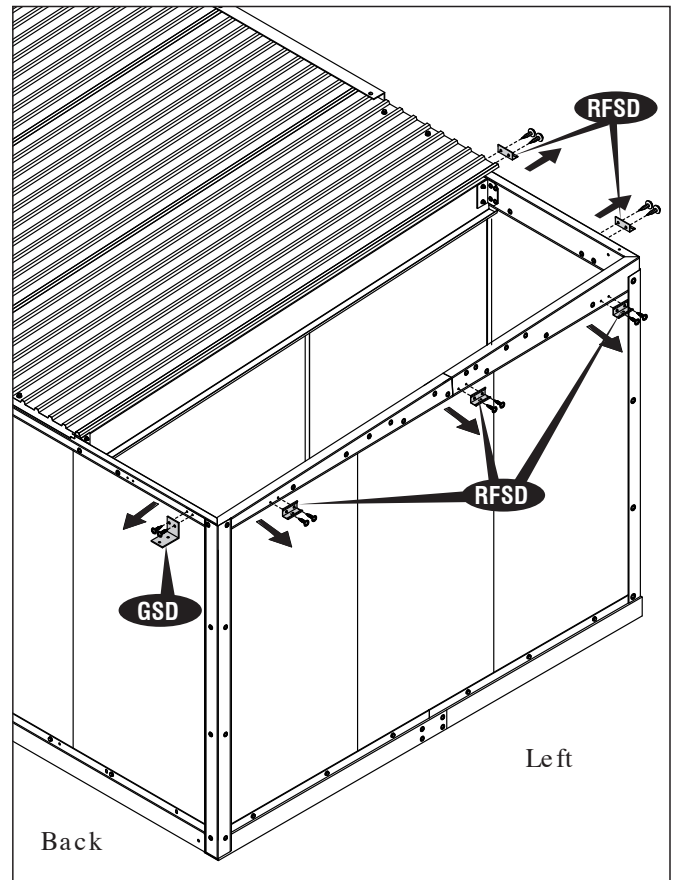
Step 2.Remove GLD.



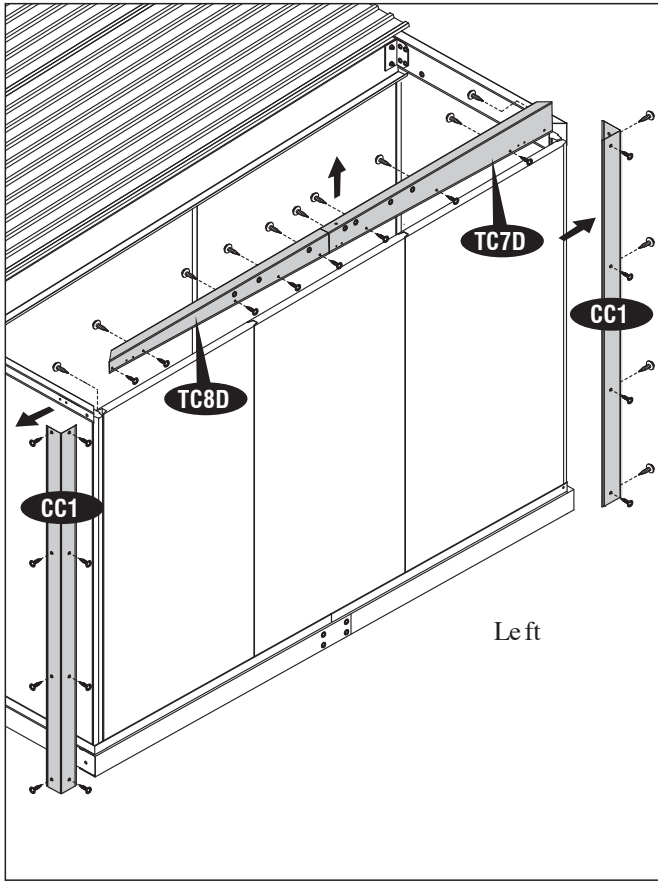
Step 3.Remove R1D.



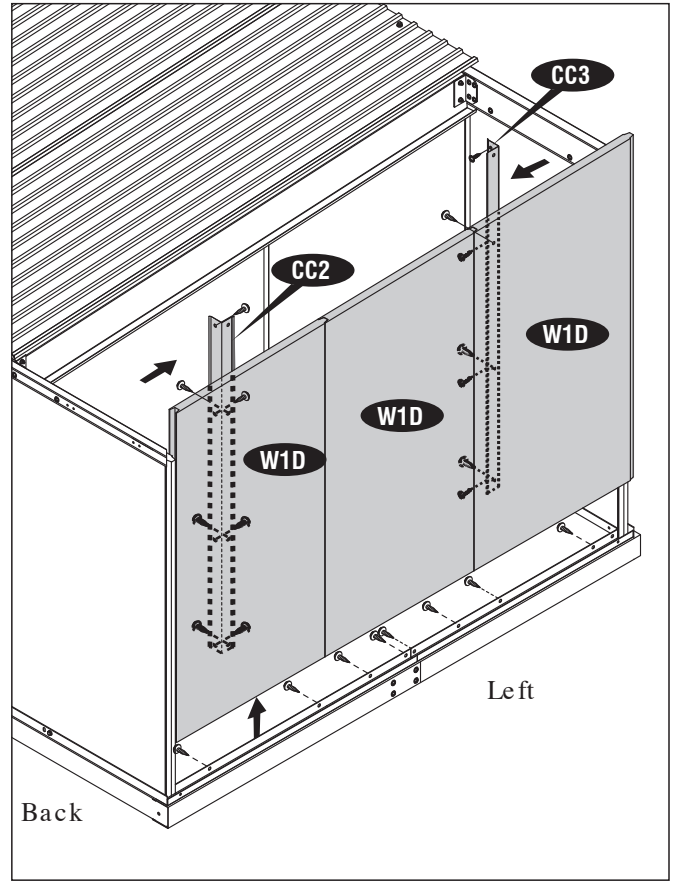
Step 4.Remove GSD & RFSD.



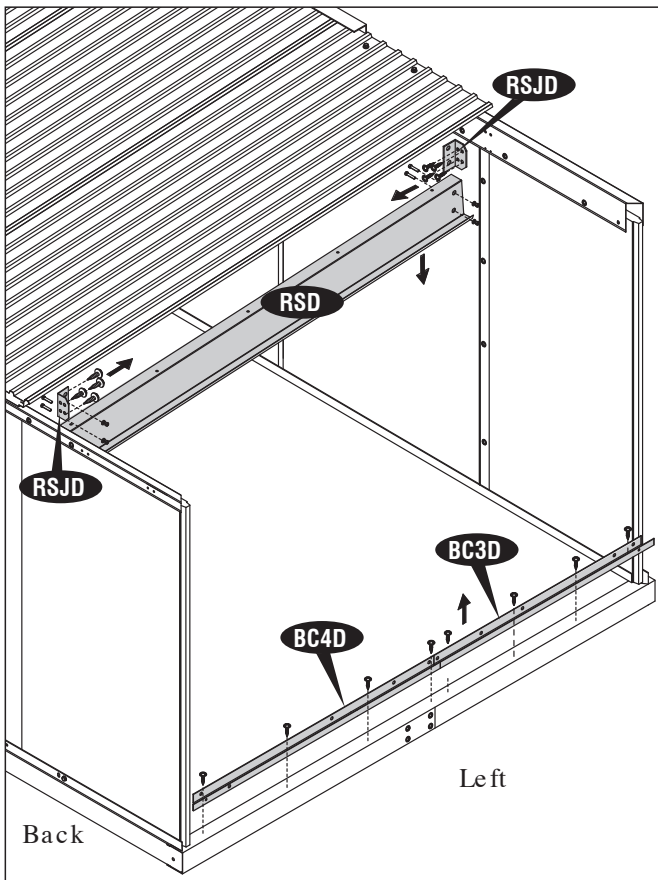
Step 5.Remove CC1,TC8D & TC7D.



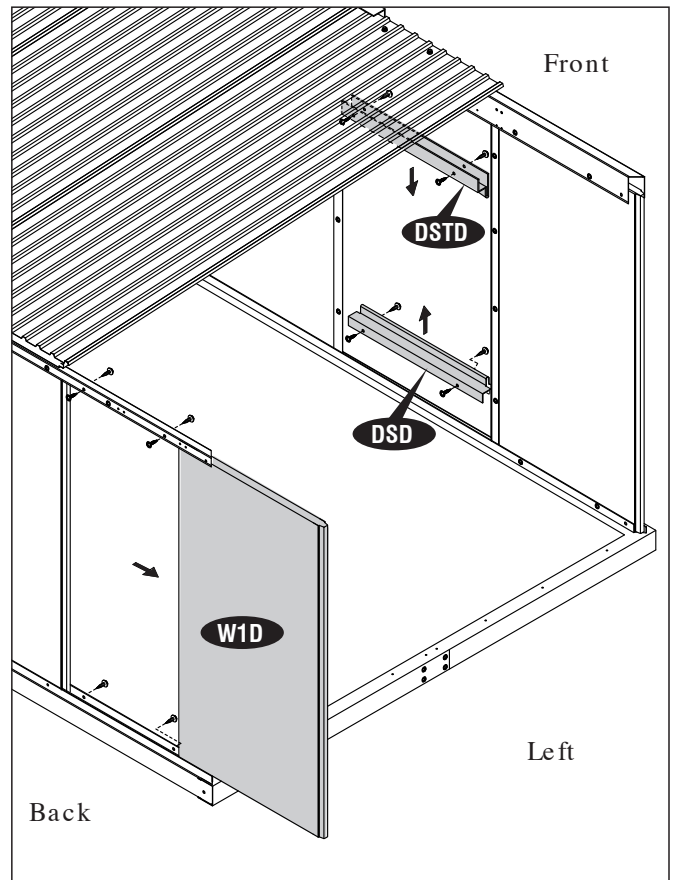
Step 6.Remove CC2 , CC3 & W1D.



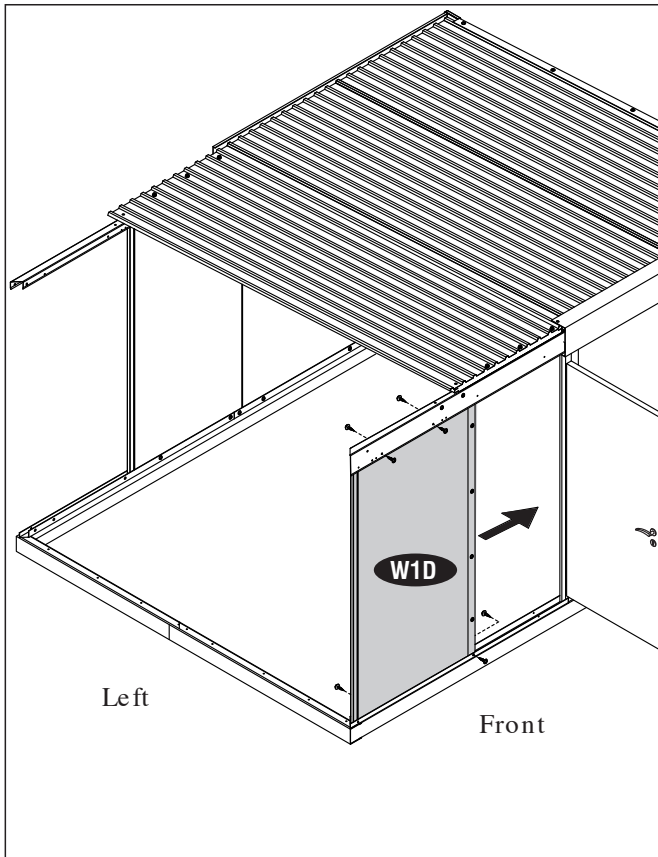
Step 7.Remove BC3D,BC4D,RSD &RSJD.



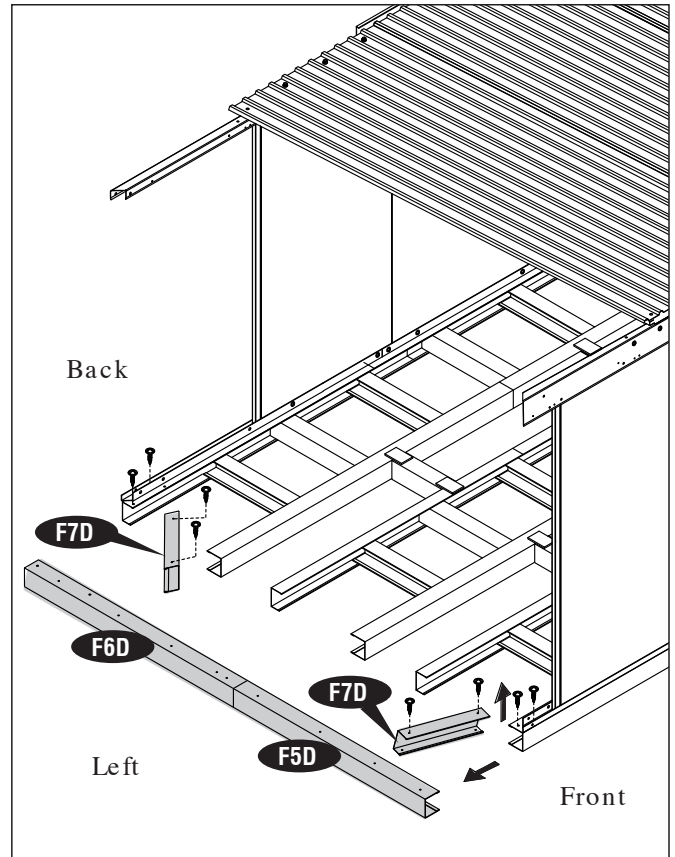
Step 8.Remove DSD,DSTD & W1D.



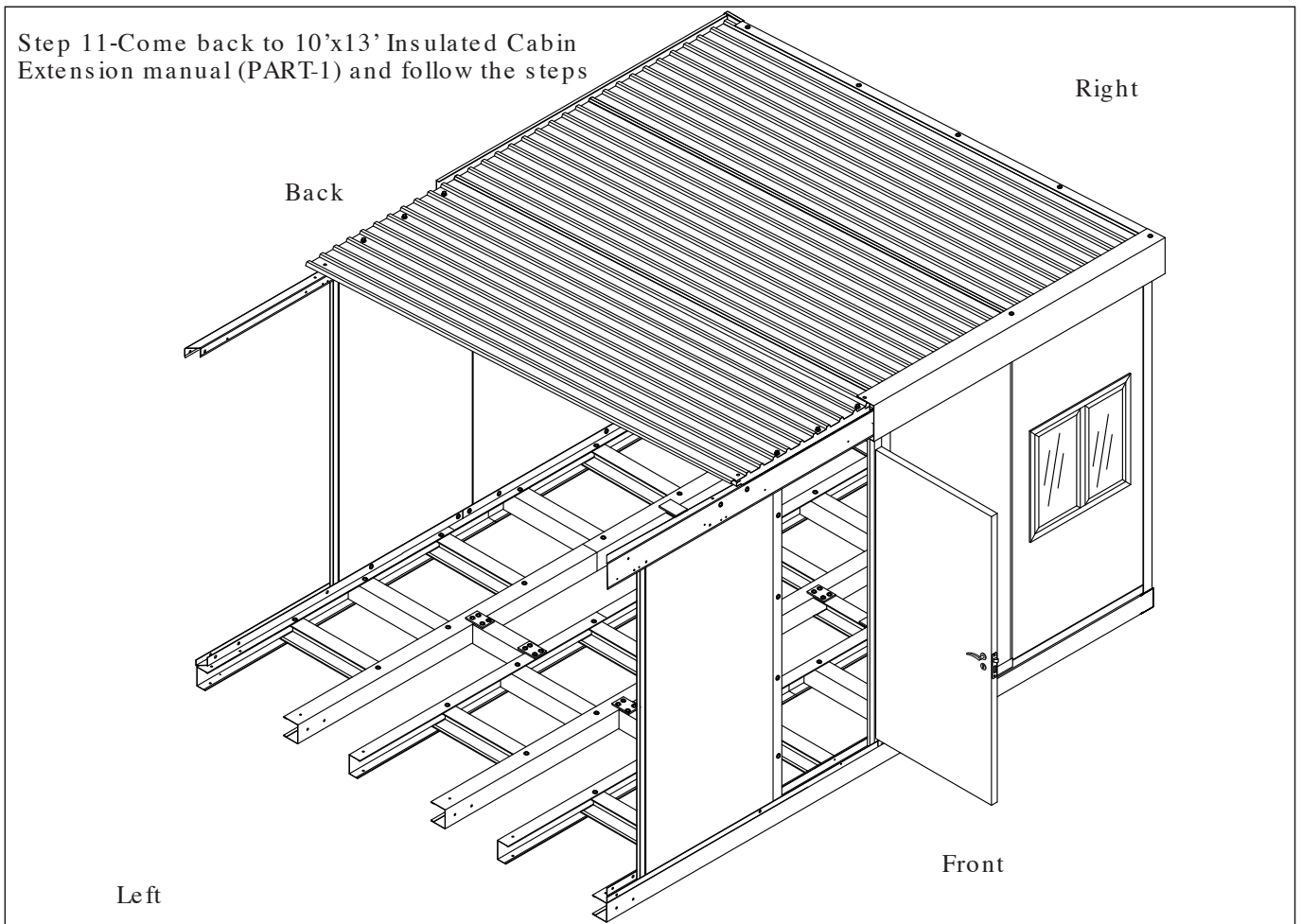
Step 9. Remove W1D & Push 100 mm inside the door position



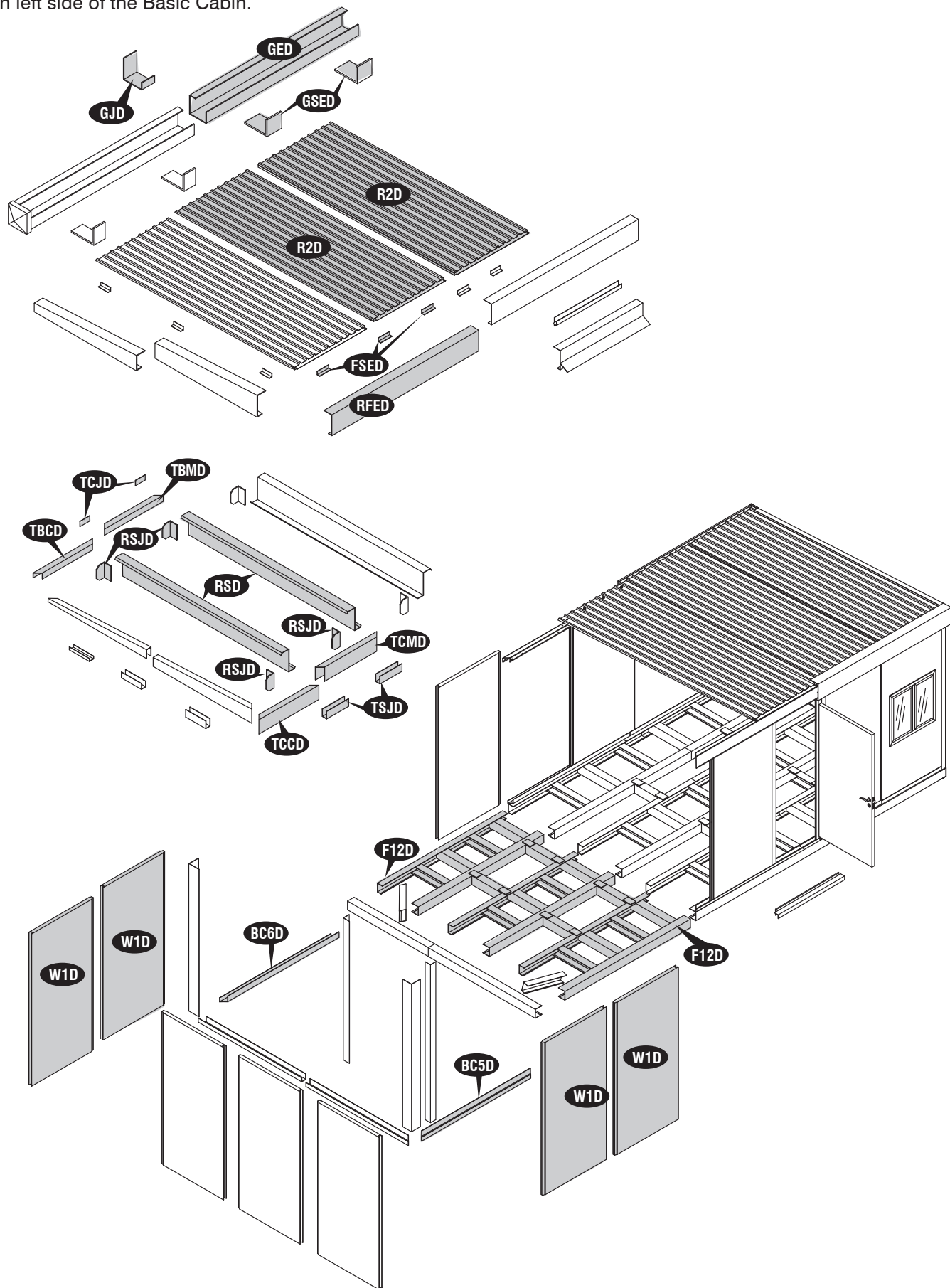
Step 10. Remove F6D, F5D & F7D.



Step 11-Come back to 10'x13' Insulated Cabin Extension manual (PART-1) and follow the steps



Follow the Diagram to Extension Assemble on left side of the Basic Cabin.



IMPORTANT: USE HAND GLOVES TO PREVENT INJURY.



U.S. Polymers, Inc.
1057 S. Vail Ave
Montebello, CA 90640,
United States of America