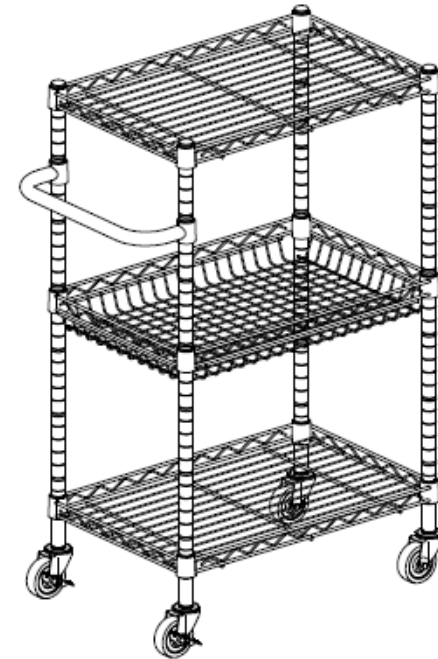


**ASSEMBLY INSTRUCTIONS**  
**3-Tier Kitchen Cart**  
M# 15030Z



**Customer Service:**

Tel 1.310.533.3800 | Tel 1.800.323.5565

Fax 1.310.533.3899

Monday through Friday 9:00 am - 4:30 pm (Pacific Time)

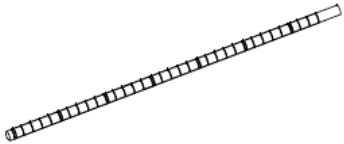
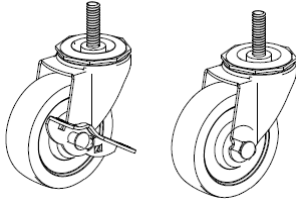
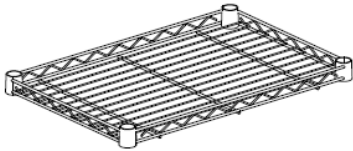
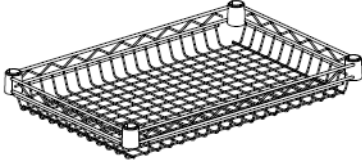
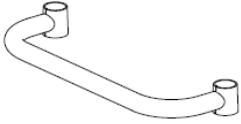
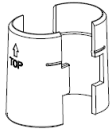
[support@sevilleclassics.com](mailto:support@sevilleclassics.com)

Seville Classics, Inc.  
Torrance, CA 90501 USA  
[www.sevilleclassics.com](http://www.sevilleclassics.com)  
©2018 Seville Classics, Inc.



Unpack and remove all parts from the box. If there are missing or broken parts, please contact our CUSTOMER SERVICE.

### Parts List

<b>A</b>  x4	<b>B</b>  x2
<b>C</b>  x2	<b>D</b>  x1
<b>E</b>  x1	<b>F</b>  x14

**WEIGHT CAPACITY:**  
132.3 lbs / 60 kgs

