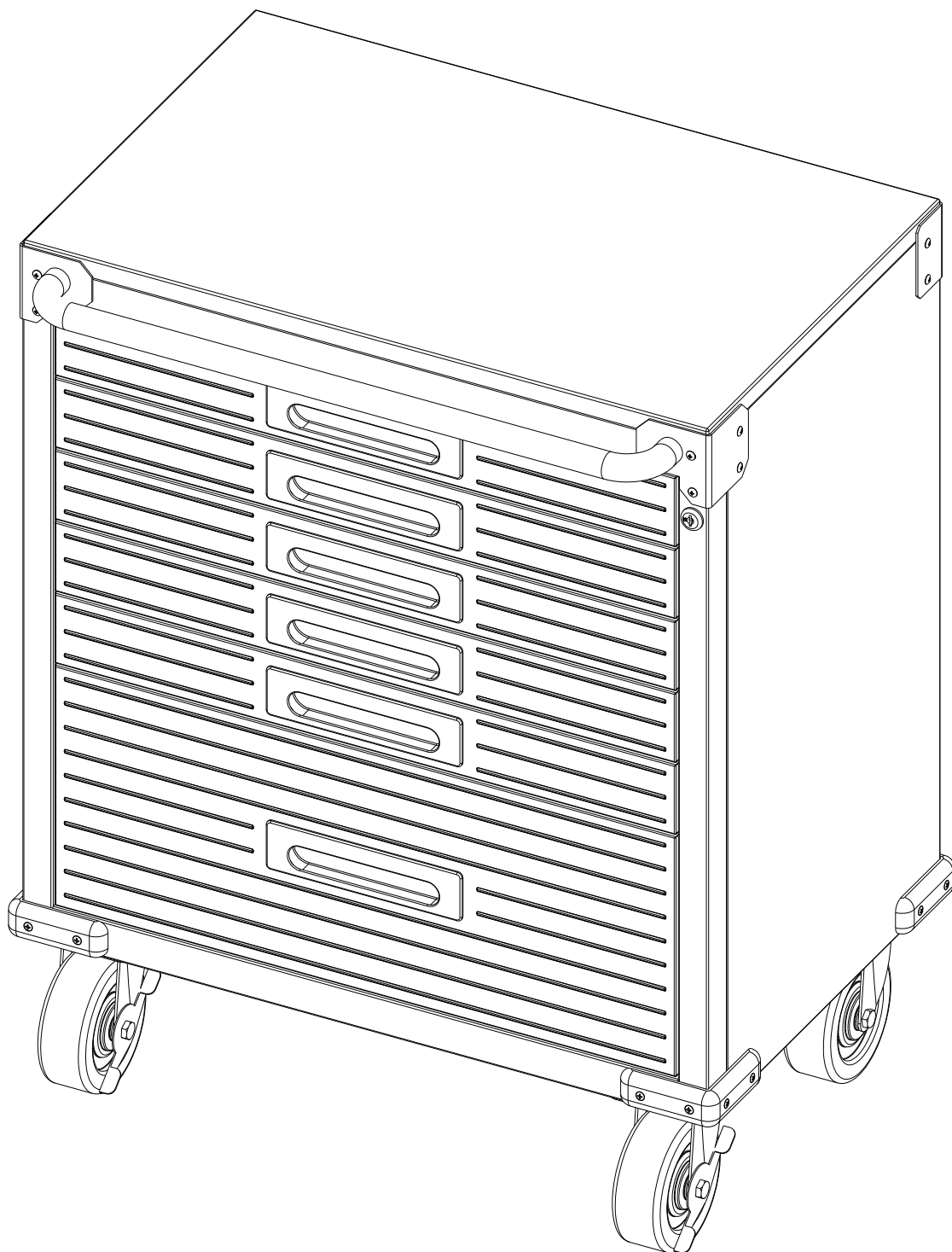


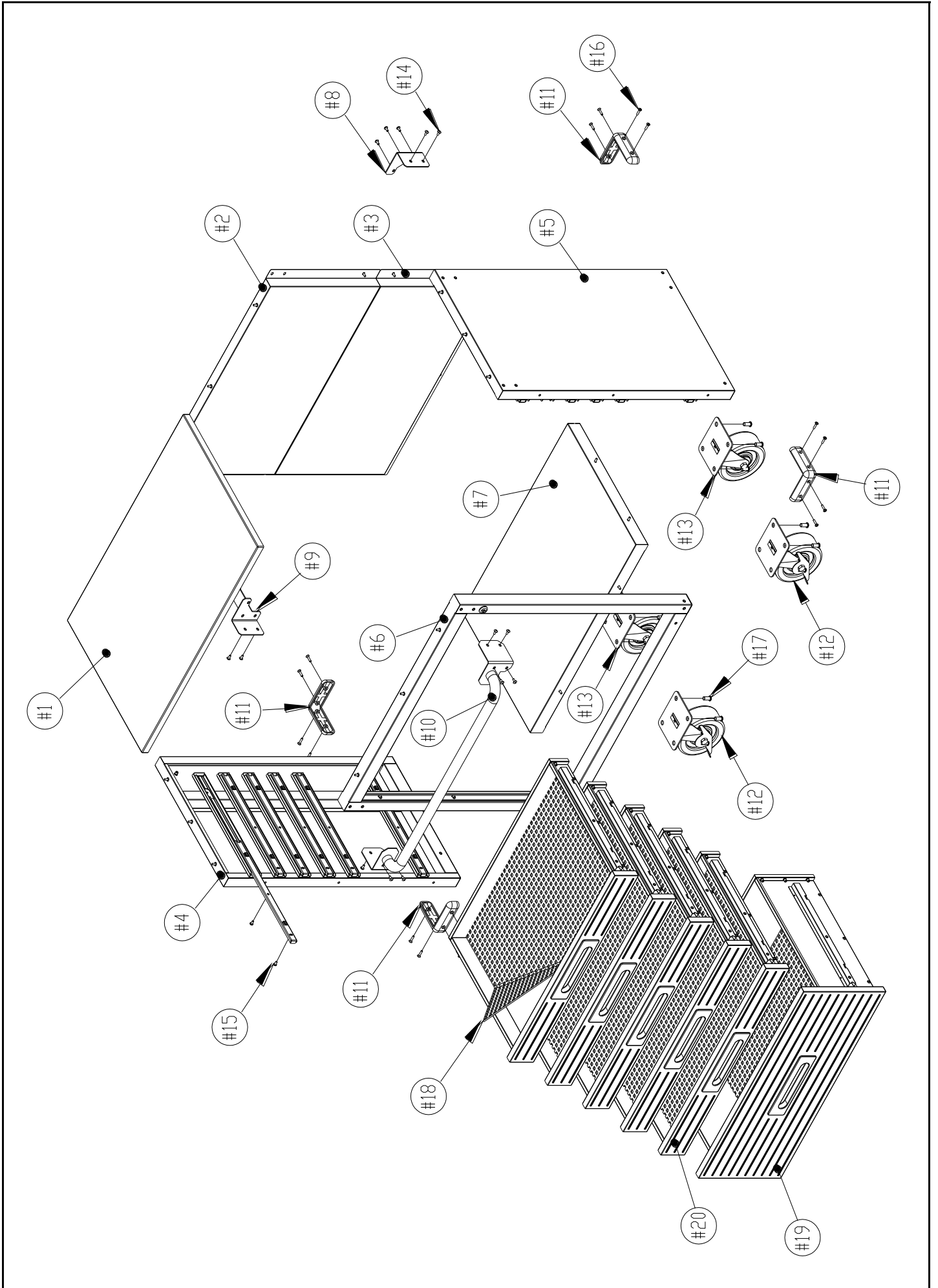
# ASSEMBLY INSTRUCTIONS

**UltraHD Rolling Drawer Cabinet (Model No. 20204)**

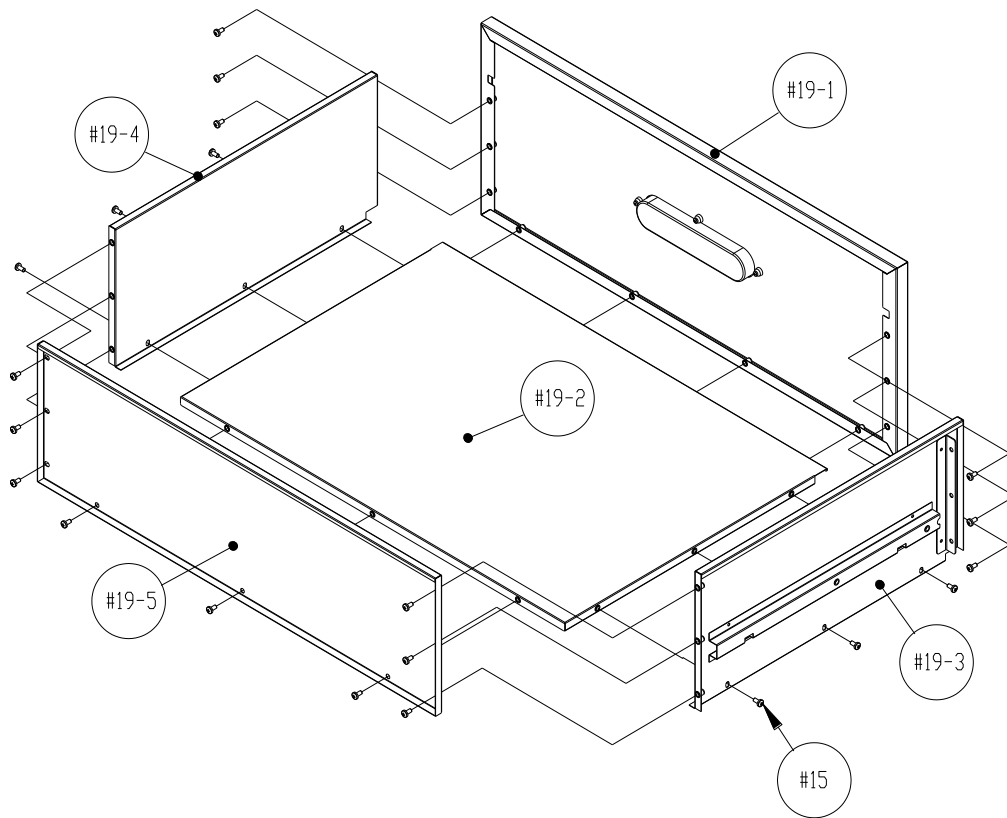
**28"W X 18" D X 34.5" H**

**(71.1cm x 45.7cm x 87.6cm)**

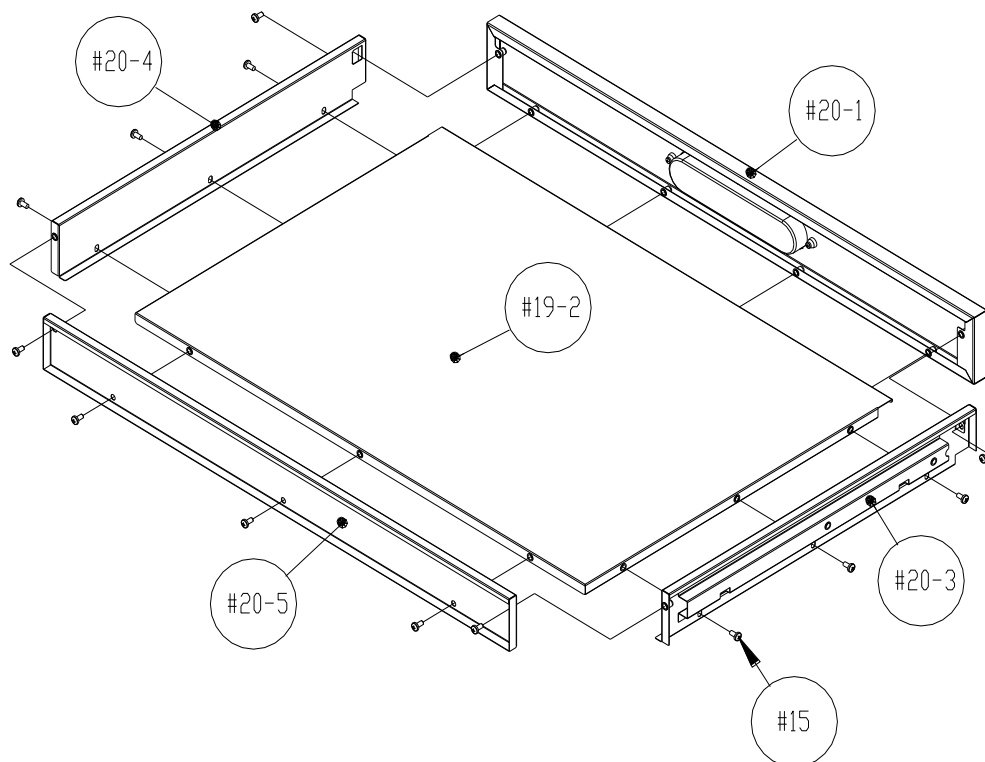




### Large Drawer

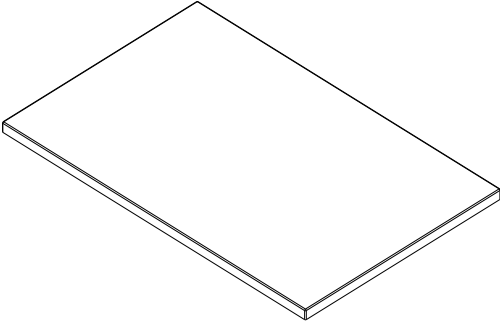
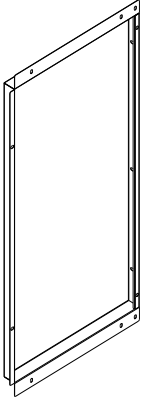
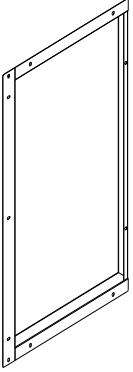
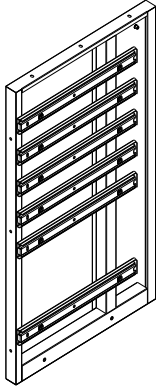
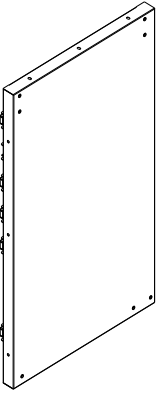
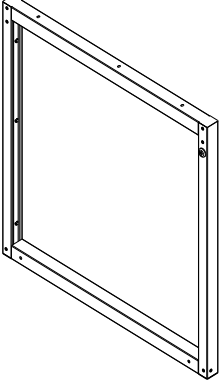
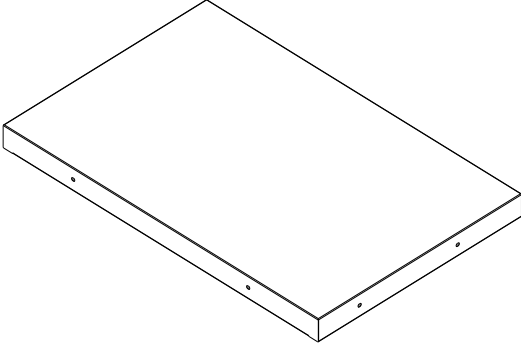
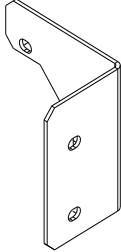


### Small Drawer



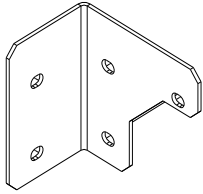
# PARTS LIST

Please check the parts carefully according to the parts list. If you are missing any parts, please contact our customer service department (please refer to page 13 of 13).

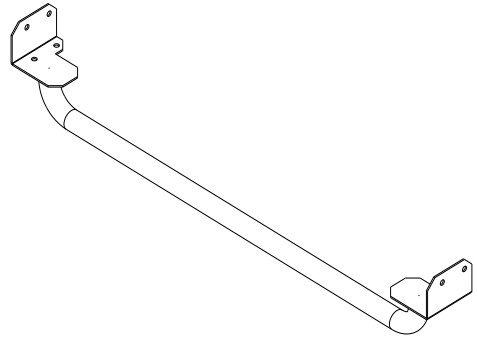
	
<p>(#1) SOLID HARDWOOD TOP x 1 PC</p>	<p>(#2) UPPER BACK PANEL x 1 PC</p>
	
<p>(#3) BOTTOM BACK PANEL x 1 PC</p>	<p>(#4) LEFT PANEL x 1 PC</p>
	
<p>(#5) RIGHT PANEL x 1 PC</p>	<p>(#6) FRONT FRAME x 1 PC</p>
	
<p>(#7) BOTTOM PANEL x 1 PC</p>	<p>(#8) RIGHT BACK CORNER PROTECTOR x 1 PC</p>

# PARTS LIST

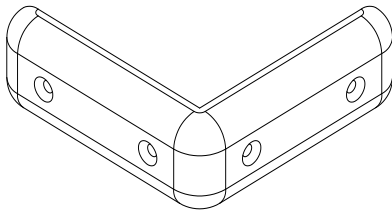
Please check the parts carefully according to the parts list. If you are missing any parts, please contact our customer service department (please refer to page 13 of 13).



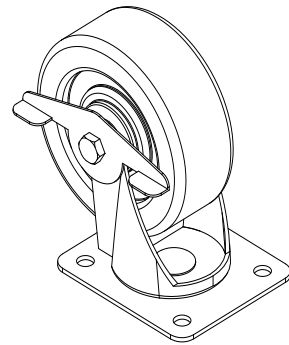
(#9) LEFT BACK CORNER PROTECTOR x 1 PC



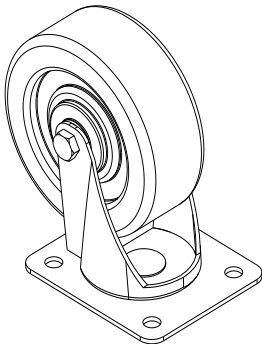
(#10) PUSH BAR x 1 PC



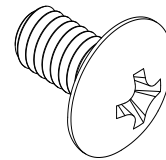
(#11) BUMPER x 4 PCS



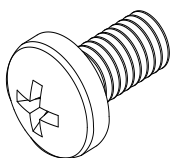
(#12) SWIVEL WHEEL WITH BRAKE x 2 PCS



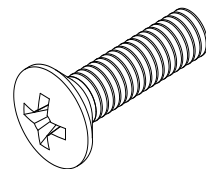
(#13) SWIVEL WHEEL W/O BRAKE x 2 PCS



(#14) SCREW A (M4 x 10) x 51 PCS



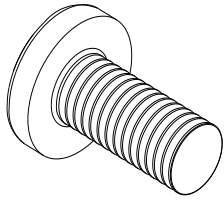
(#15) SCREW B (M4 x 8) x 134 PCS



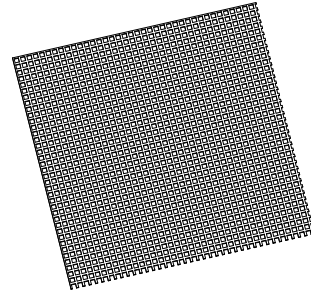
(#16) SCREW C (M4 x 18) x 16 PCS

# PARTS LIST

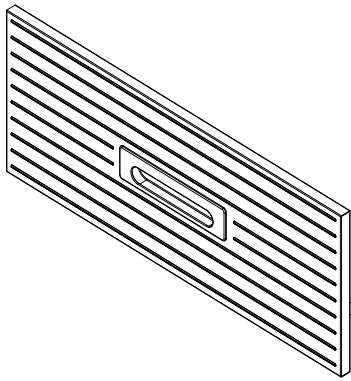
Please check the parts carefully according to the parts list. If you are missing any parts, please contact our customer service department (please refer to page 13 of 13).



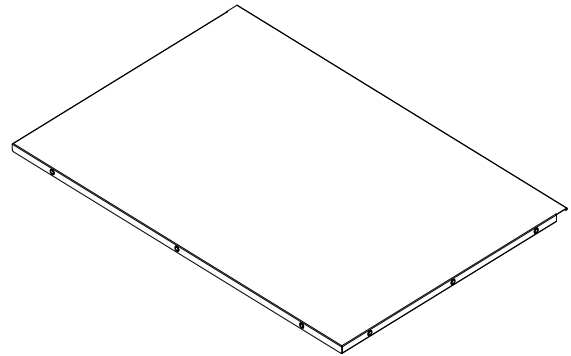
(#17) SCREW D (M8 x 18) x 16 PCS



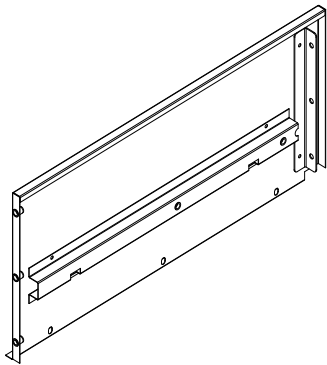
(#18) DRAWER MAT x 6 PCS



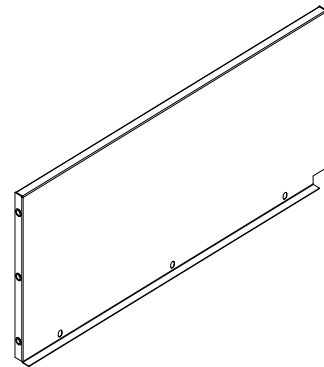
(#19-1) LARGE DRAWER FRONT PANEL x 1 PC



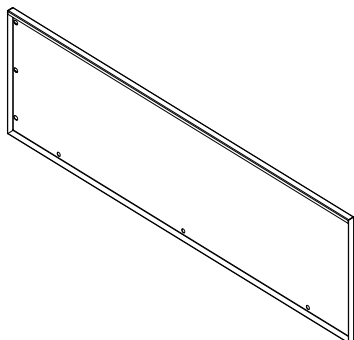
(#19-2) DRAWER BASE PANEL x 6 PCS



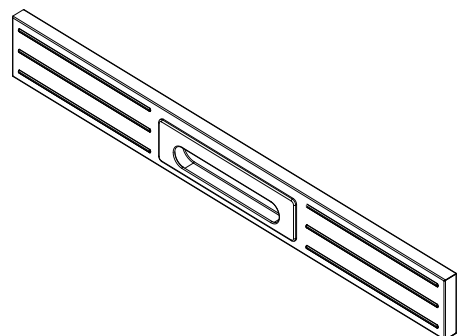
(#19-3) LARGE DRAWER LEFT PANEL x 1 PC



(#19-4) LARGE DRAWER RIGHT PANEL x 1 PC



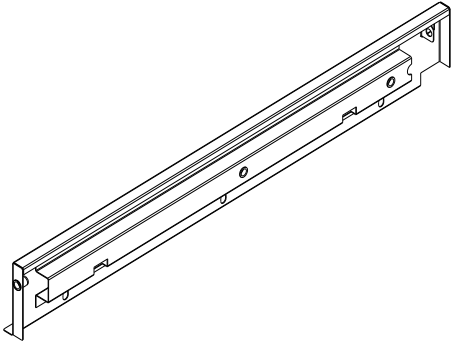
(#19-5) LARGE DRAWER BACK PANEL x 1 PC



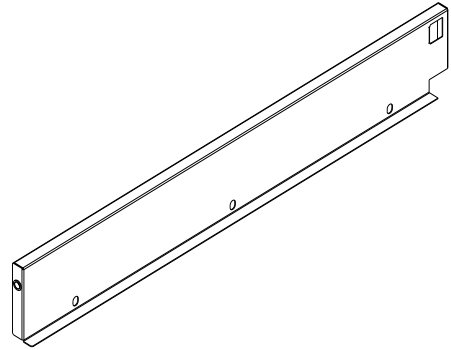
(#20-1) SMALL DRAWER FRONT PANEL x 5 PCS

# PARTS LIST

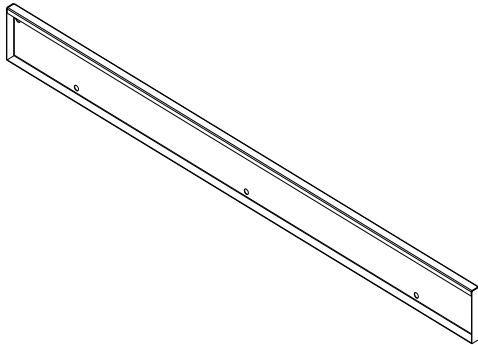
Please check the parts carefully according to the parts list. If you are missing any parts, please contact our customer service department (please refer to page 13 of 13).



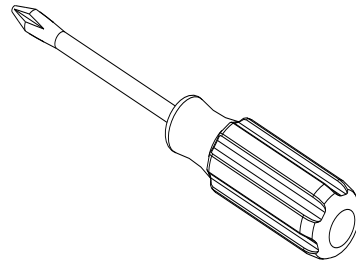
(#20-3) SMALL DRAWER LEFT PANEL x 5 PCS



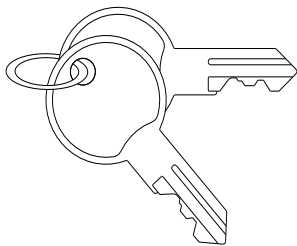
(#20-4) SMALL DRAWER RIGHT PANEL x 5 PCS



(#20-5) SMALL DRAWER BACK PANEL x 5 PCS

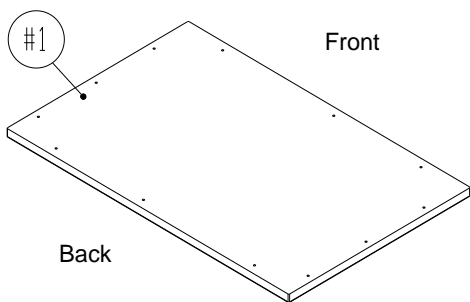


(#21) SCREWDRIVER x 1 PC



(#22) DRAWER KEY x 2 PCS

# UltraHD Rolling Cabinet (Model No. 20204)



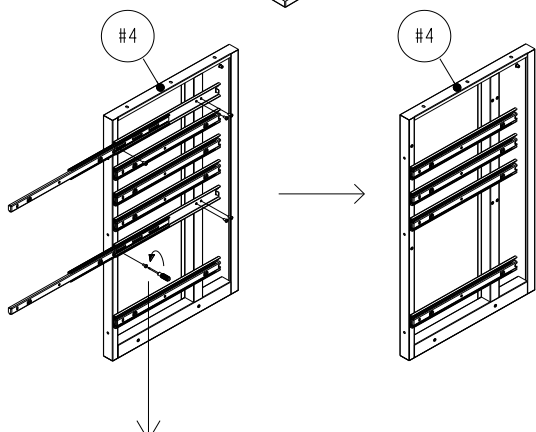
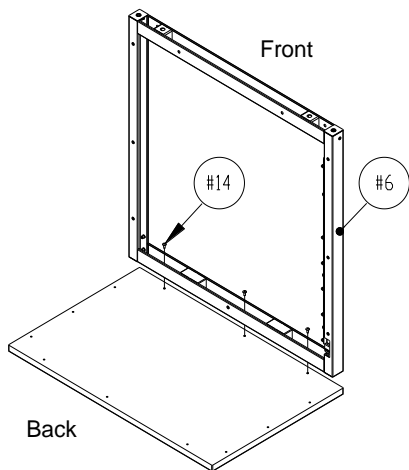
**Step 1.** Open the package, remove and place all parts to the side. Then open the package of the Solid Hardwood Top (#1).

**Note:** The Solid Hardwood Top is packed within an inner cardboard box.

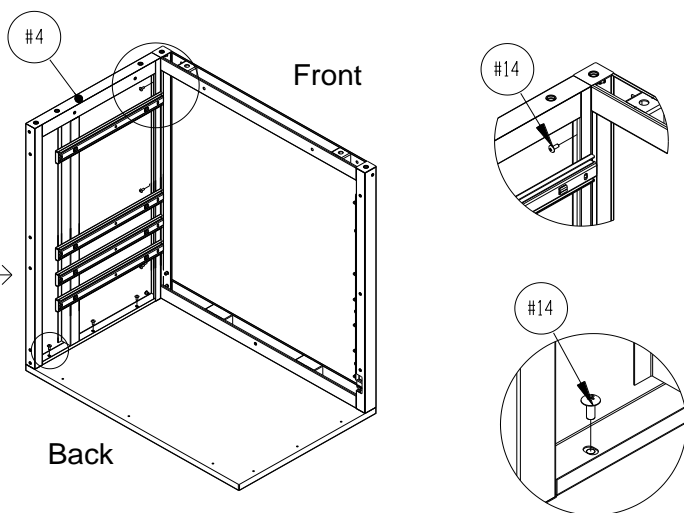
## Step 2. Install Front Frame (#6)

Locate the Front Frame (#6) and attach to the "Front" of the Solid Hardwood Top (#1), using 3pcs Screw A (#14) and Screwdriver (#21) to tighten.

**Note:** The screw holes have some tolerance so make sure that the top and sides of the Front Frame are flushed with the Solid Hardwood Top – this may save time by avoiding having to make slight adjustments later.



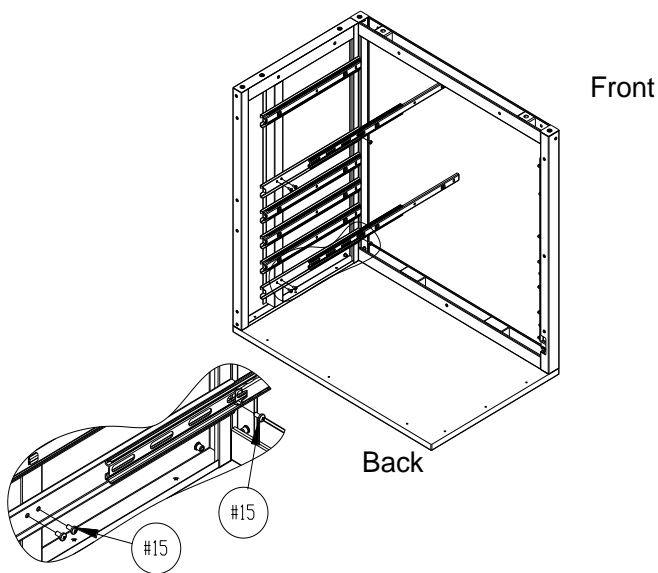
Remove 2pcs Slides to create the space needed to use the Screwdriver (#21).



## Step 3. Install the Left Panel (#4)

Remove 2pcs Slides to create the space needed to use the screwdriver (#21). Then, attach the Left Panel (#4) to the Front Frame (#6) and the Solid Hardwood Top (#1). Make sure the "Top" of the Left Panel (#4) is on the Solid Hardwood Top (#1) and the screw holes are lined up to the Front Frame (#6). Use Screwdriver (#21) and 6pcs Screw A (#14) to tighten the Left Panel (#4) to the Front Frame (#6), and then to Solid Hardwood Top (#1).

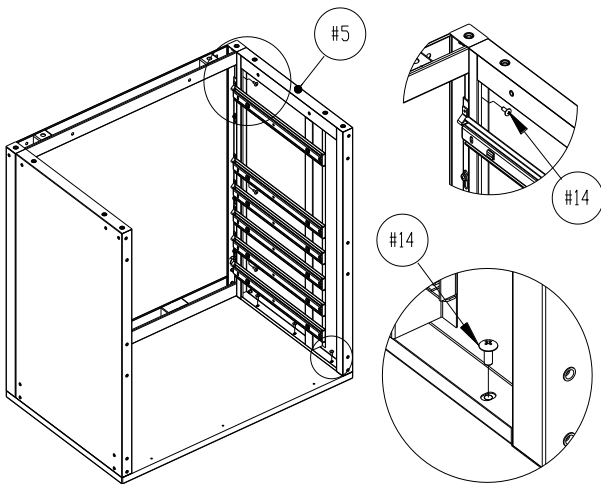
**Step 4.** Install the removed 2pcs slides back to the Left Panel (#4).





# UltraHD Rolling Cabinet (Model No. 20204)

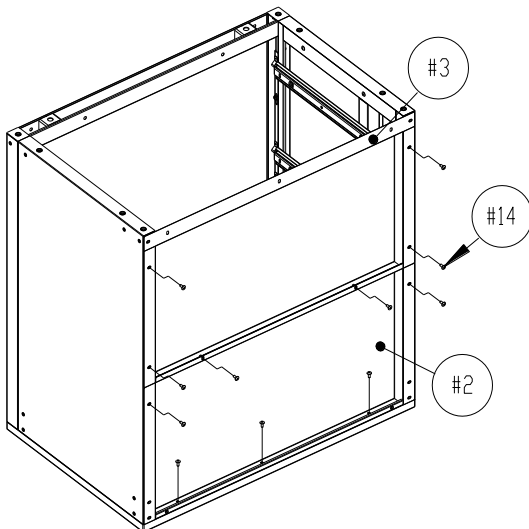
(pg 8 of 13)



## **Step 5. Install the Right Panel (#5).**

Remove 2pcs Slides to create the space needed to use the screwdriver (#21) at first. Then, attach the Right Panel (#5) to Front Frame (#6) and The Solid Hardwood Top (#1), Make sure the “Top” of the Left Panel (#4) is on the Solid Hardwood Top (#1) and the screw holes are lined up to the Front Frame (#6), Use Screwdriver (#21) and 6pcs Screw A (#14) to tighten the Right Panel (#5) the Front Frame (#6) and Solid Hardwood Top (#1).

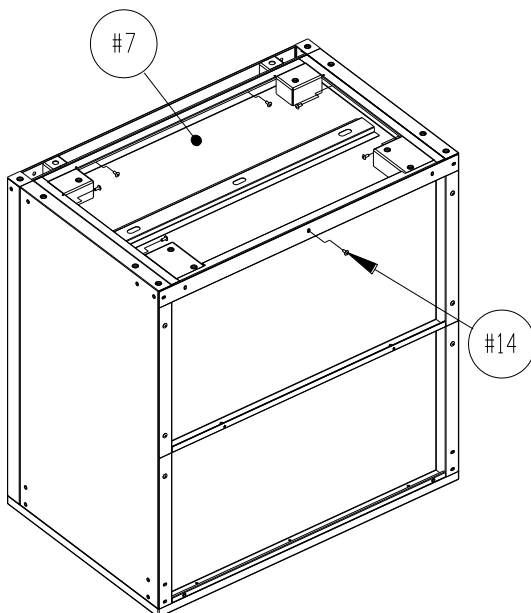
**Note:** Pls remember installing the removed 2pcs slides back to the Right Panel (#5).



## **Step 6. Install the Upper Back Panel (#2) and Bottom Back Panel (#3).**

**a.** Attach the Upper Back Panel (#2) between the Left Panel (#4) and Right Panel (#5). Make sure the “Top” of the Upper Back Panel (#2) is on the Solid Hardwood Top (#1) as the sticker indicates. Line up the screw holes and use Screw A (#14) to tighten up the Upper Back Panel to the Solid Hardwood Top (#1), Left Panel (#4) and Right Panel (#5).

**b.** Attach Bottom Back Panel (#3) between the Left Panel (#4) and Right Panel (#5). Make sure the “Top” of the Bottom Back Panel (#3) is to the Upper Back Panel (#2) as the sticker indicates. Line up the screw holes and use Screw A (#14) to tighten the Bottom Back Panel (#3) to the Upper Back Panel (#2), Left Panel (#4) and Right Panel (#5).

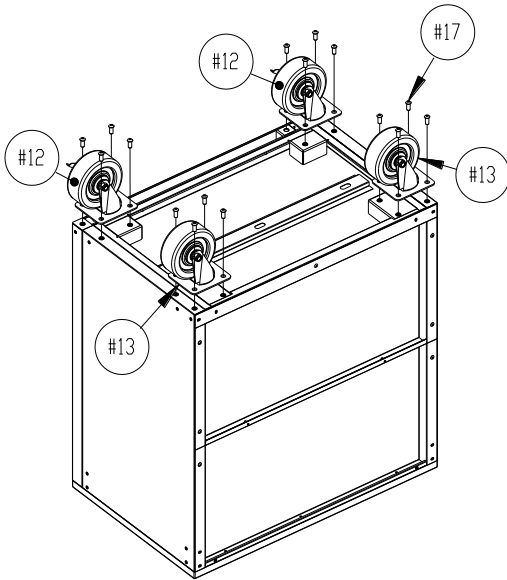


## **Step 7. Install the Bottom Panel (#7)**

Attach the Bottom Panel (#7) to the Left Panel (#4), Right Panel (#5), Front Frame (#6), Bottom Back Panel (#3), line up screw holes and use 7pcs Screw A (#14) to tighten.

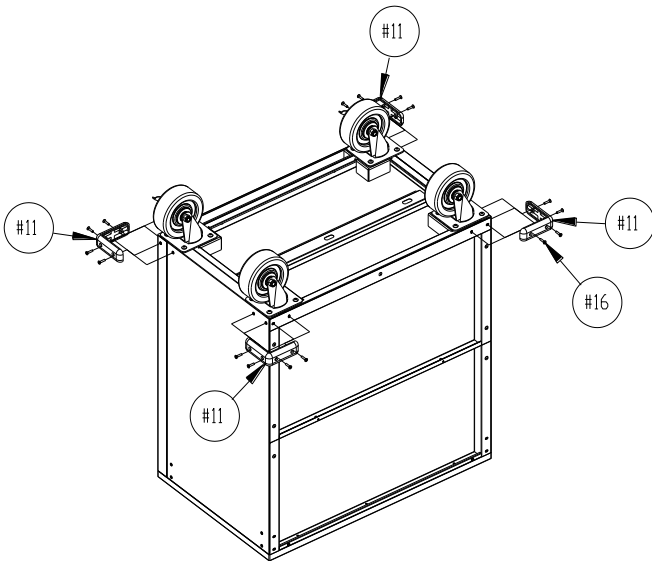
# UltraHD Rolling Cabinet (Model No. 20204)

(pg 9 of 13)



## **Step 8. Install Wheels (#12 and #13).**

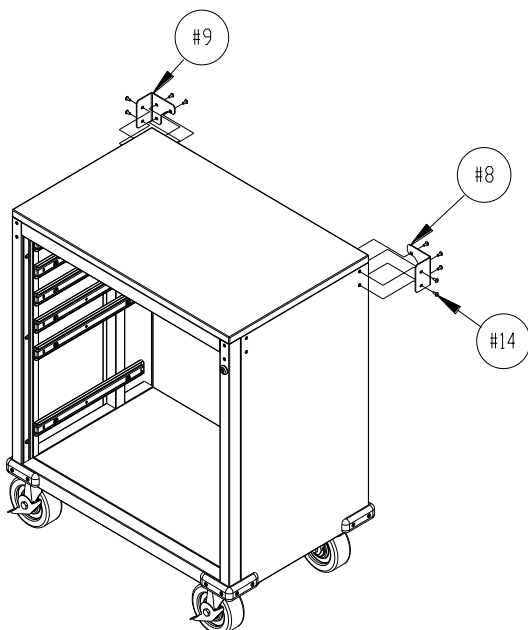
Attach Wheels (#12 and #13) to the Bottom Panel (#7) and surrounding frame. Make sure the Swivel Wheels with Brake are installed at the front side. Use Screw D (#17) to tighten them.



## **Step 9. Install Bumpers (#11).**

Attach Bumpers (#11) to the bottom four corners of the cabinet. Use Screw C (#16) to tighten them.

**Note:** After finish this step, please upturn the cabinet.



## **Step 10. Install Right Back Corner Protector (#8) and Left Back Corner Protector (#9)**

After upturn the cabinet, attach Right Back Corner Protector (#8) to the top of right back side, and attach Left Back Corner Protector to the top of left side, using 10pcs Screw A (#14) to tighten.

## **Step 11. Install Large Drawer Side Panels (#19-3 and #19-4).**

Fit and attach Large Drawer Side Panels (#19-3 and #19-4) one at a time, into the back of the stainless steel Large Drawer Front (#19-1). Make sure the Drawer Side Panels are placed in all the way making contact with the rear of the Large Drawer Front Panel (#19-1). Line up the screw holes and use Screw B (#15) to tighten them.

## **Step 12. Install Large Drawer Base Panel (#19-2)**

From above, fit and attach Large Drawer Base Panel (#19-2) between the two sides and into the back of the Large Drawer Front Panel (#19-1). Use Screw B (#15) to tighten.

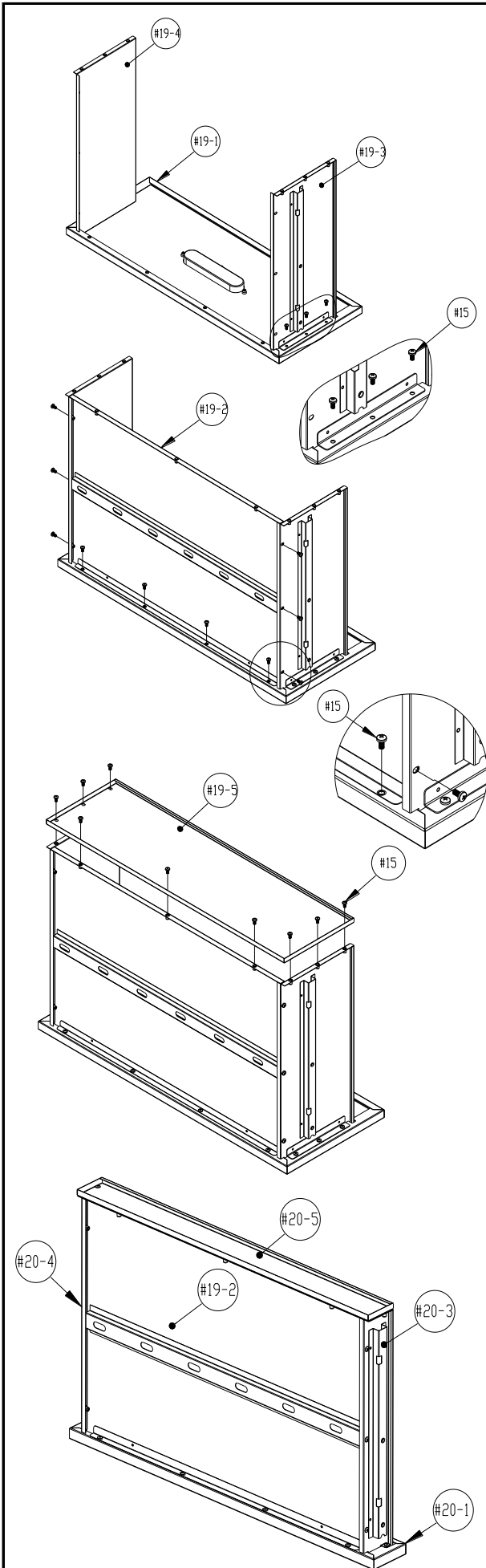
**Note:** Do not fully tighten any one screw until all screws are partially screwed in.

## **Step 13. Install Large Drawer Back Panel (#19-5).**

Attach the Large Drawer Back Panel (#19-5) to the rest of the assembled drawer. Use Screw B (#15) to tighten. Once you have the Large Drawer assembled, repeat **Steps 11-13** to assemble the other five Small Drawers. Once completed, you should have one Large Drawer and five Small Drawers.

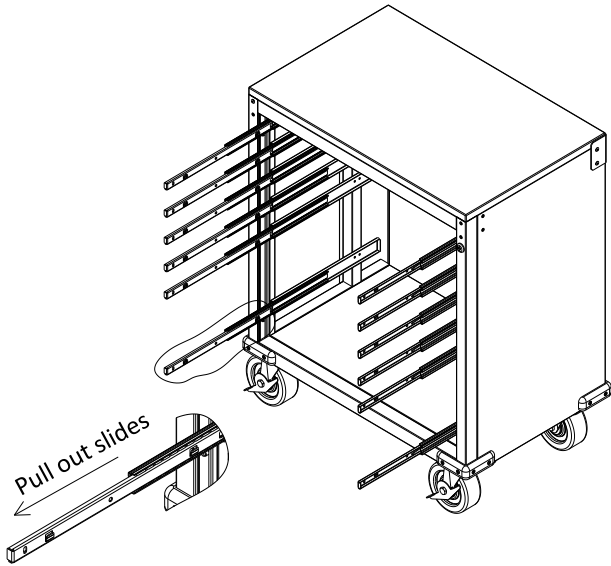
## **Step 14. Assemble and Install Small Drawer the same way.**

Repeat Steps 11-13 using Small Drawer Left Panel (#20-3), Small Drawer Right Panel (#20-4), Small Drawer Front Panel (#20-1), Small Drawer Back Panel (#20-5) and Drawer Base Panel (#19-2) to assemble the Small Drawer. Once assembled, you should have five Small Drawers.



# UltraHD Rolling Cabinet (Model No. 20204)

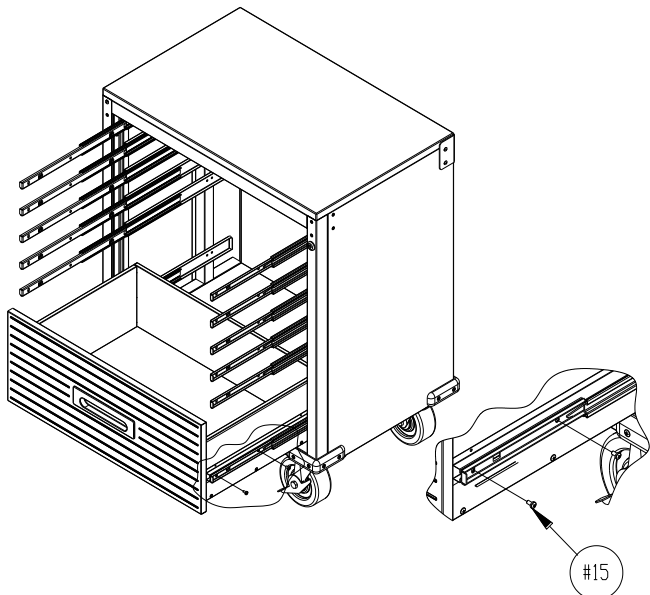
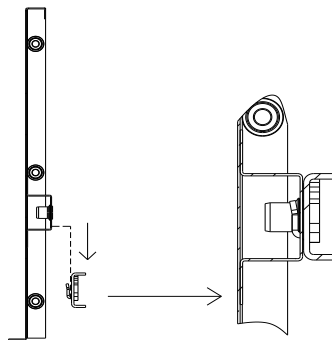
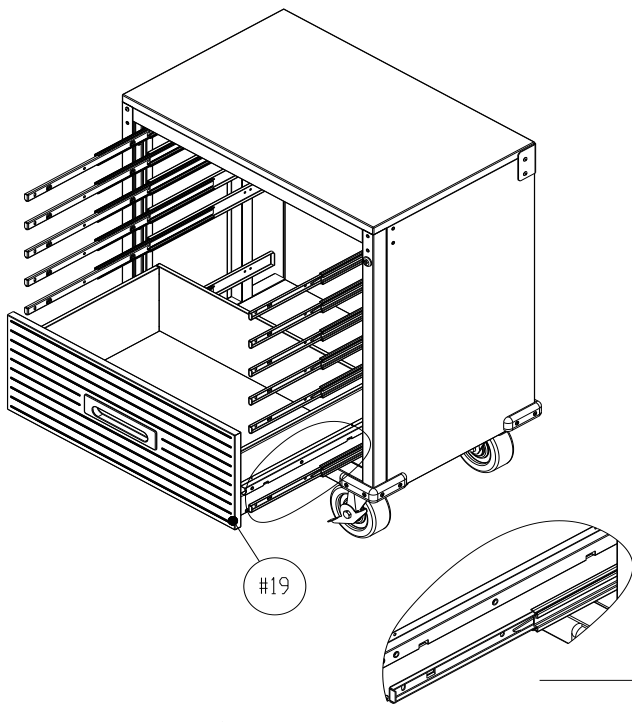
(pg 11 of 13)



**WARNING:** Pls check the key/lock, it must unlocked before place all the drawers.

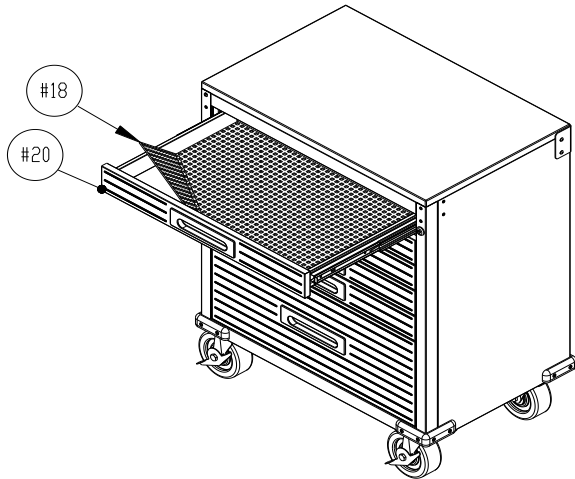
## **Step 15. Install Drawers into cabinet.**

- a. Pull out both slides for large drawer. Hook the big drawer between both slides, make sure the slides hooks are insert into the square holes on the drawer side panels completely.
- b. Line up the screw holes, and using 4pcs Screw B (#15) to tighten the drawer.
- c. Repeat above steps to place other Drawers.



# UltraHD Rolling Cabinet (Model No. 20204)

(pg 12 of 13)

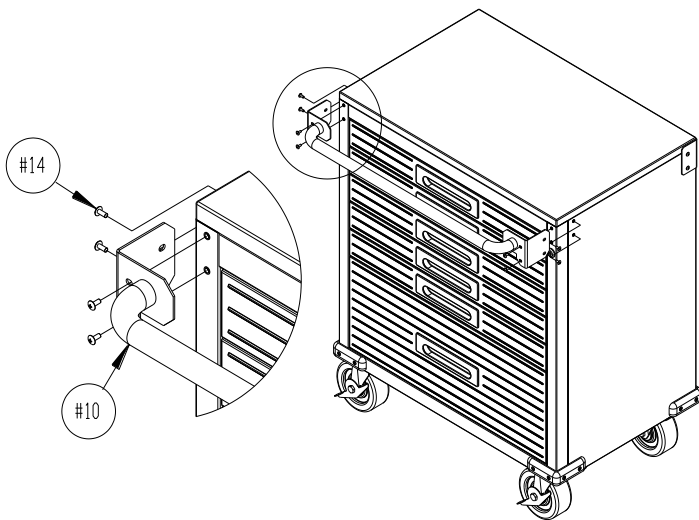


## **Step 16. Place Drawer Mat (#18) into Drawers**

After put all the Drawer Mat (#18) in, close all the drawers.

## **Step 17. Install Pus Bar (#10).**

Attach Push Bar (#10) to the top of cabinet, using 8pcs Screw A (#14) to tighten.



**[!] For SAFETY: Only open one drawer at a time. 40lbs. maximum loading for each drawer.**

\*If you are missing any parts, have any questions, or need additional assistance in assembly, please contact our bilingual (English and Spanish) customer service department at:

**Seville Classics, Inc.**

19401 South Harborgate Way  
Torrance, CA 90501  
USA

Telephone: (800) 323-5565 within USA

Hours: 9:00am - 4:30pm (Pacific Standard Time)

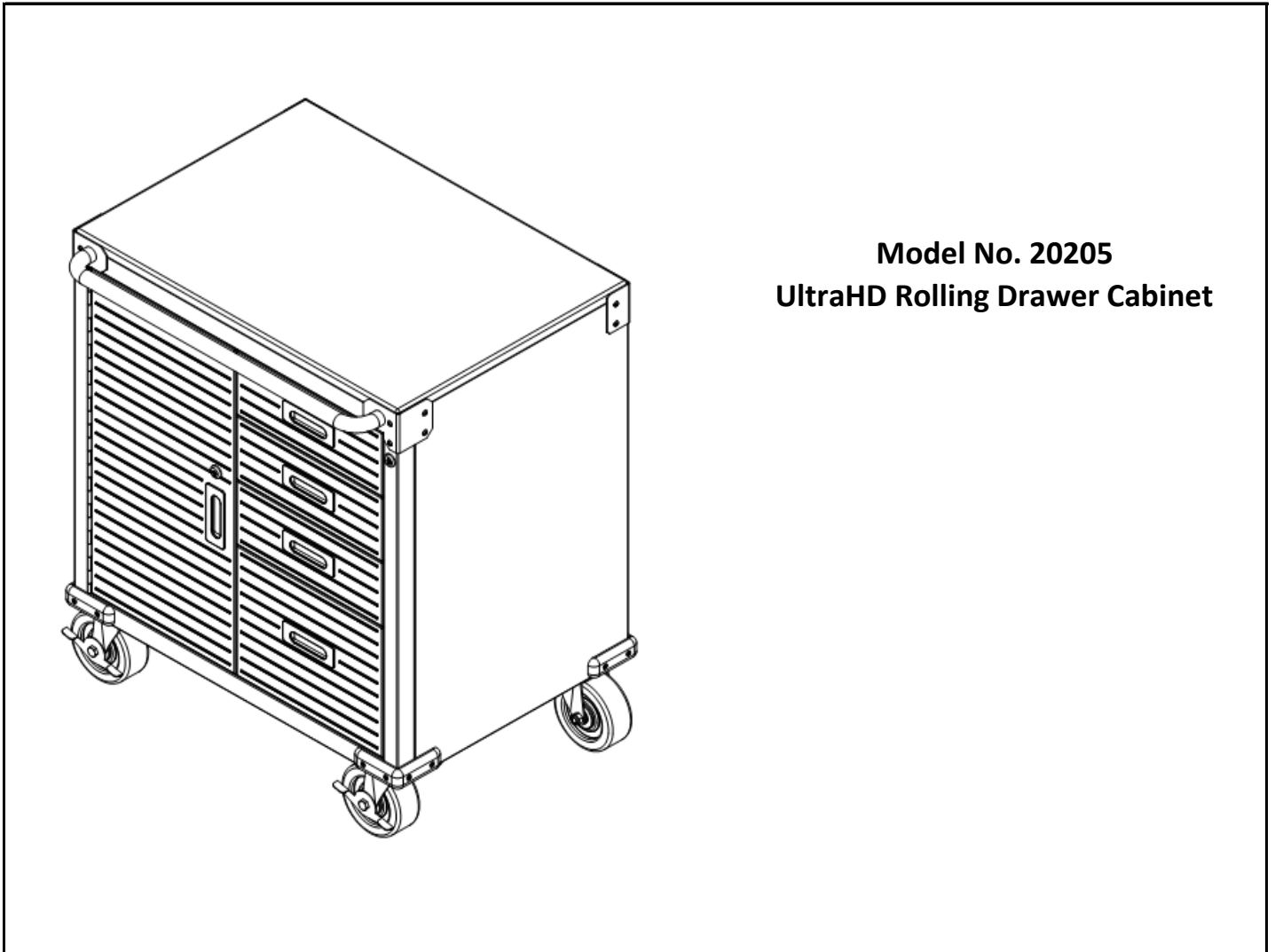
Fax: (310) 533-3899

E-mail: support@sevilleclassics.com

Website & Online Store: www.sevilleclassics.com

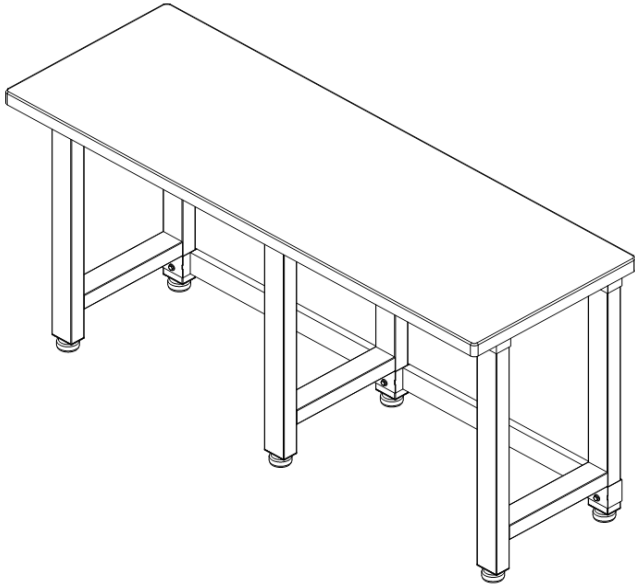
**\*\*\*Please visit our website or call and inquire about our additional UltraHD Line\*\*\***

## UltraHD Line

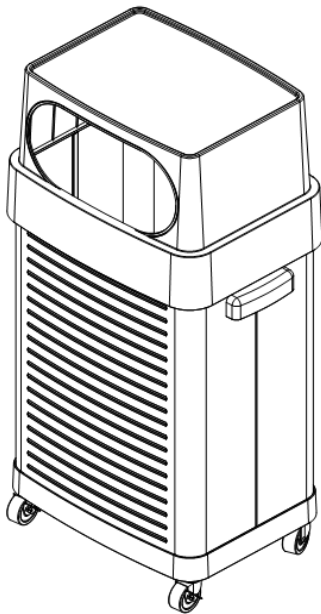


**Model No. 20205  
UltraHD Rolling Drawer Cabinet**

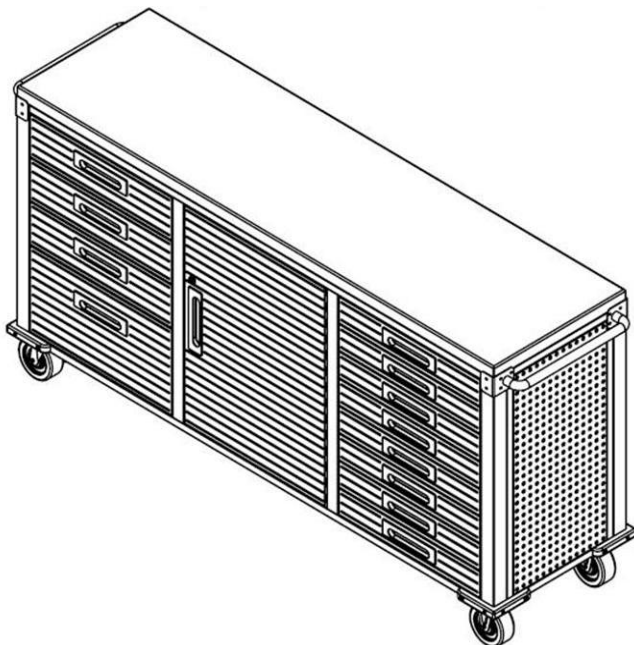
# UltraHD Line



**Model No. 20206**  
**UltraHD Workbench**

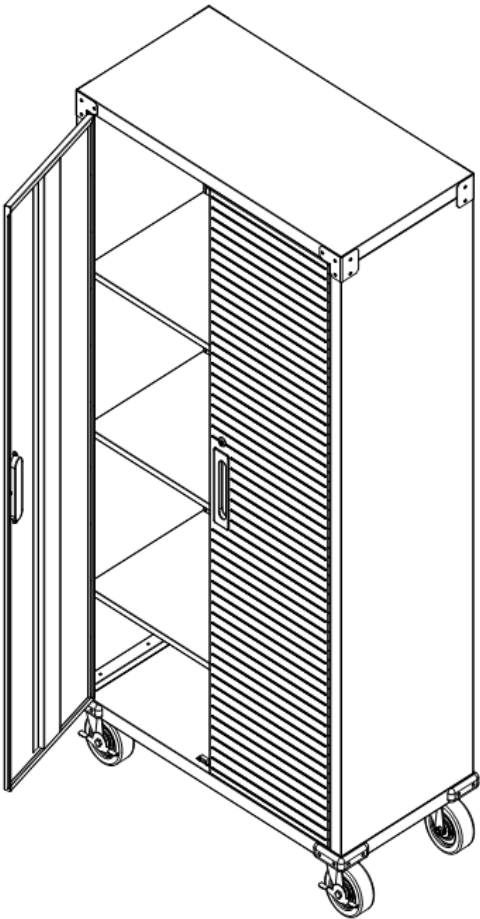


**Model No. 20215**  
**UltraHD Trash Bin**

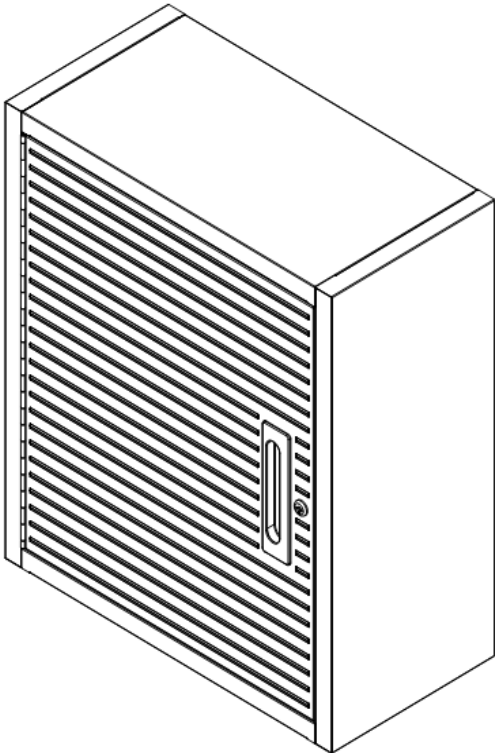


**Model No. 20242**  
**UltraHD Rolling Workbench**

# UltraHD Line



**Model No. 16234**  
**UltraHD Rolling Cabinet**



**Model No. 20209**  
**UltraHD Wall Cabinet**