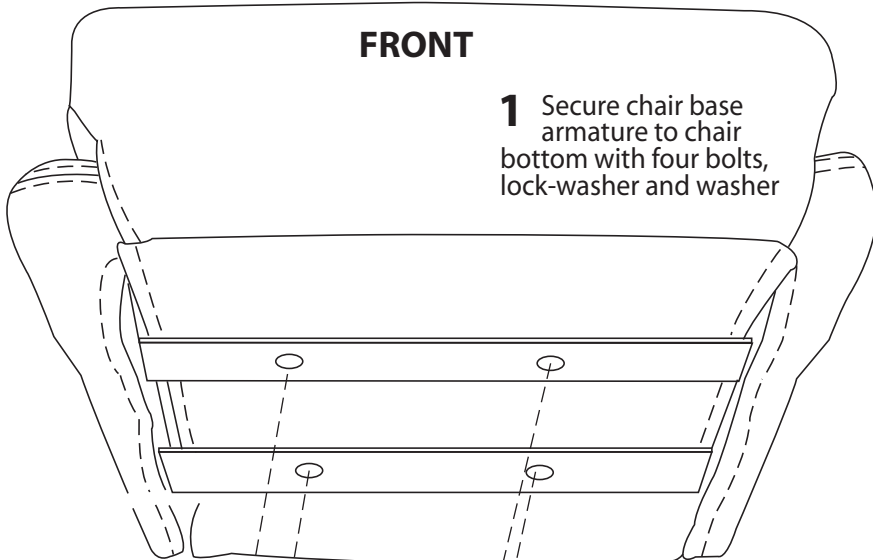


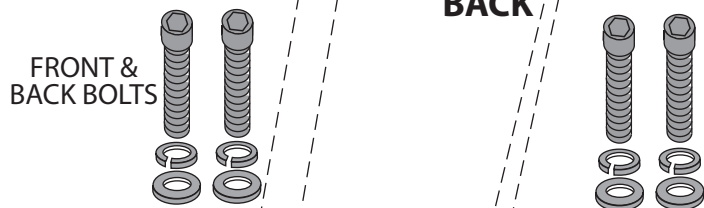
Pitstop GT Receiver Foot Rest - FR3000

PARTS ASSEMBLY



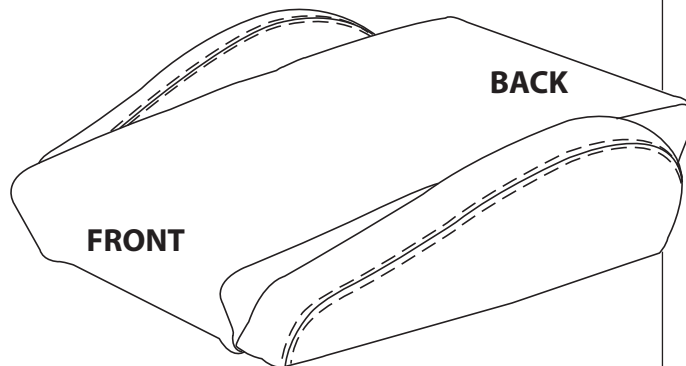
FRONT

1 Secure chair base armature to chair bottom with four bolts, lock-washer and washer



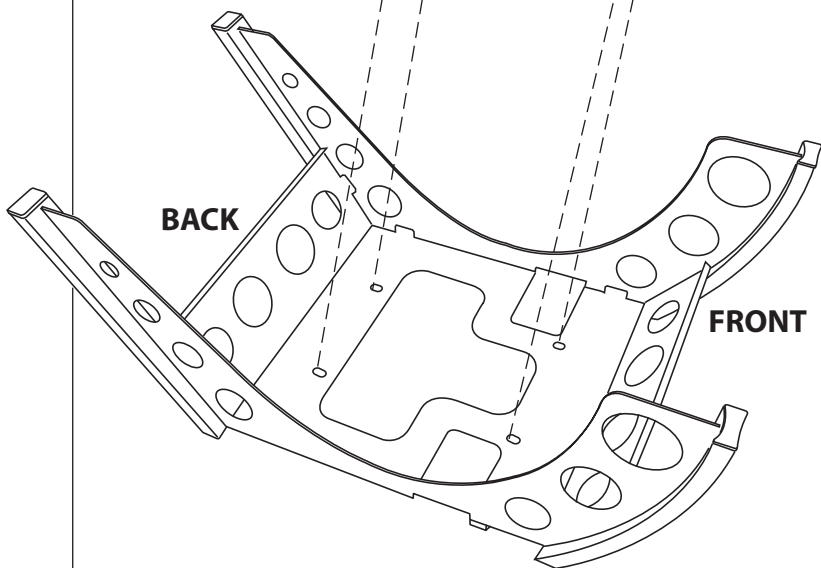
FRONT & BACK BOLTS

BACK



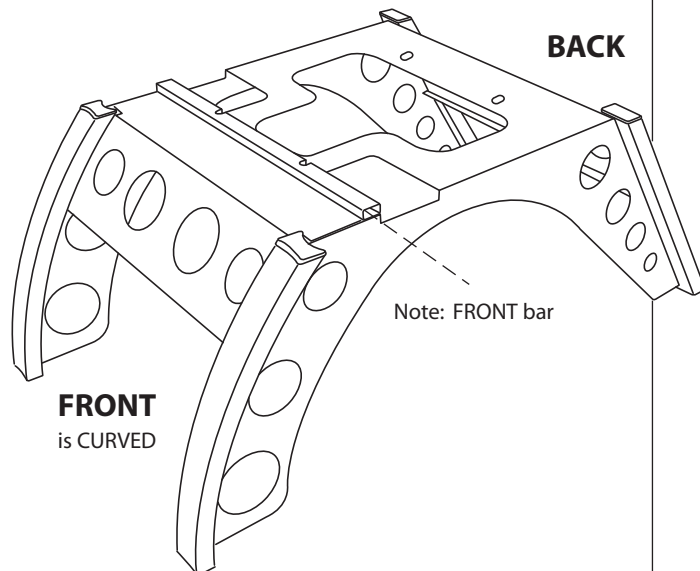
BACK

FRONT



BACK

FRONT



BACK

FRONT
is CURVED

Note: FRONT bar