

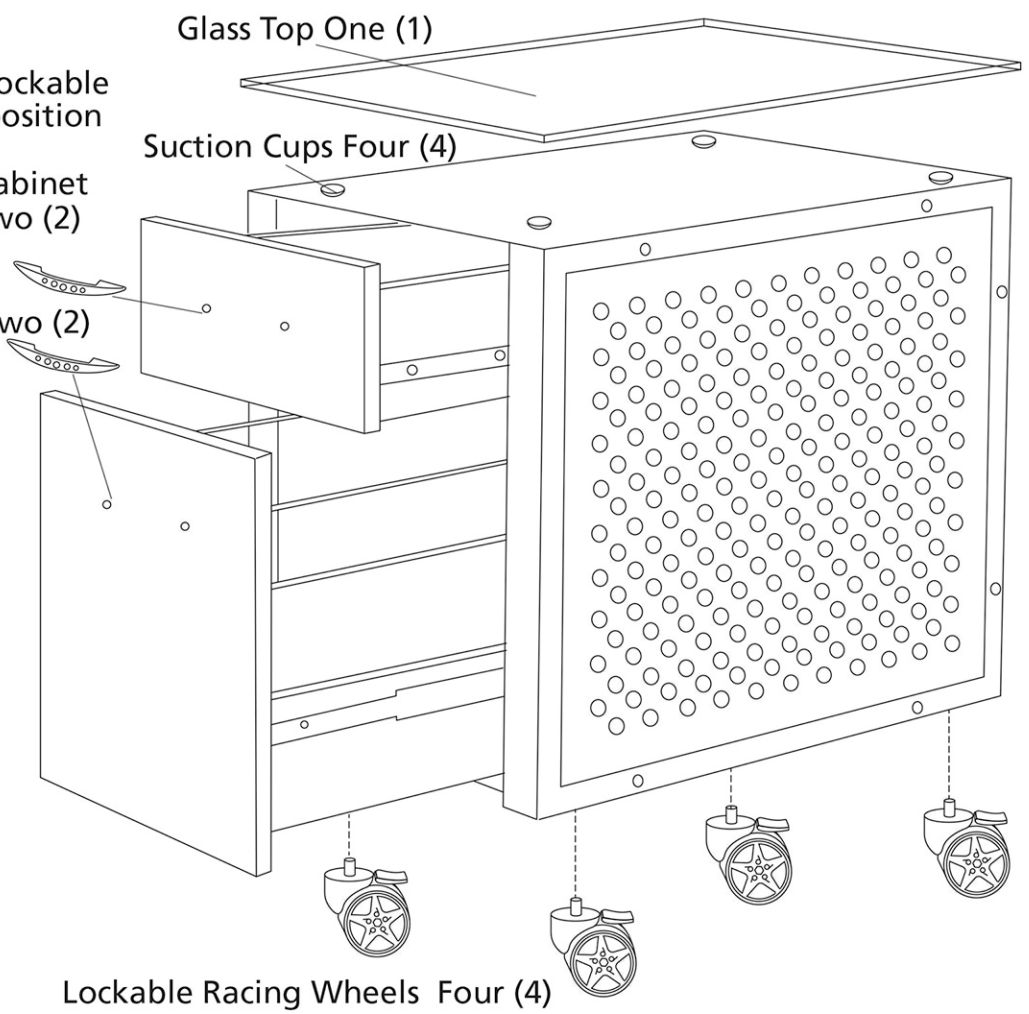
1 FC230 FILE CABINET

Step 1 Secure the four (4) lockable racing wheels into position

Step 2 Screw in place the cabinet handles provided, two (2) with screws

Cabinet Drawer Handles two (2)

Step 3 Position Glass Top in place over suction cups on file cabinet top



2

