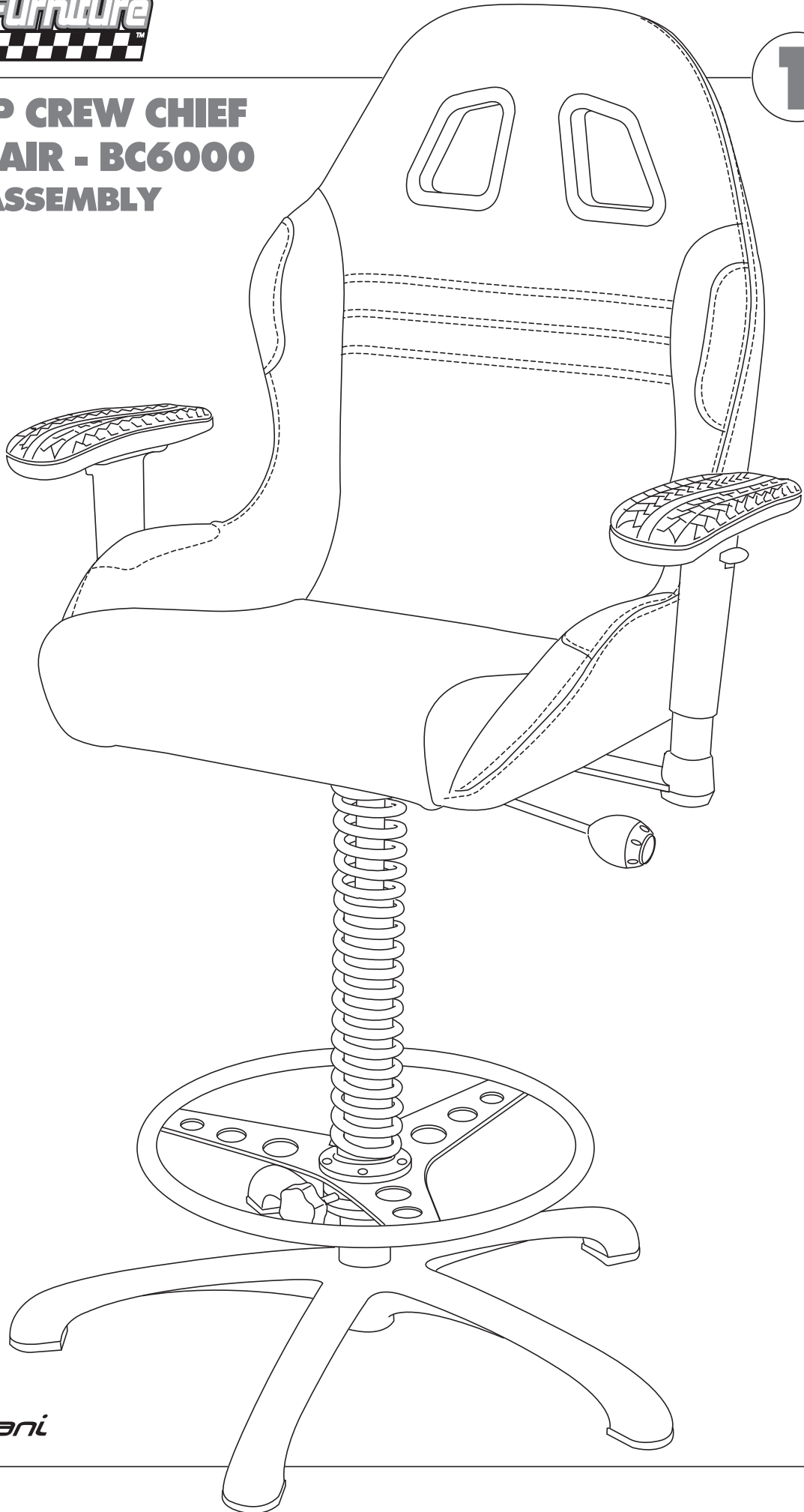
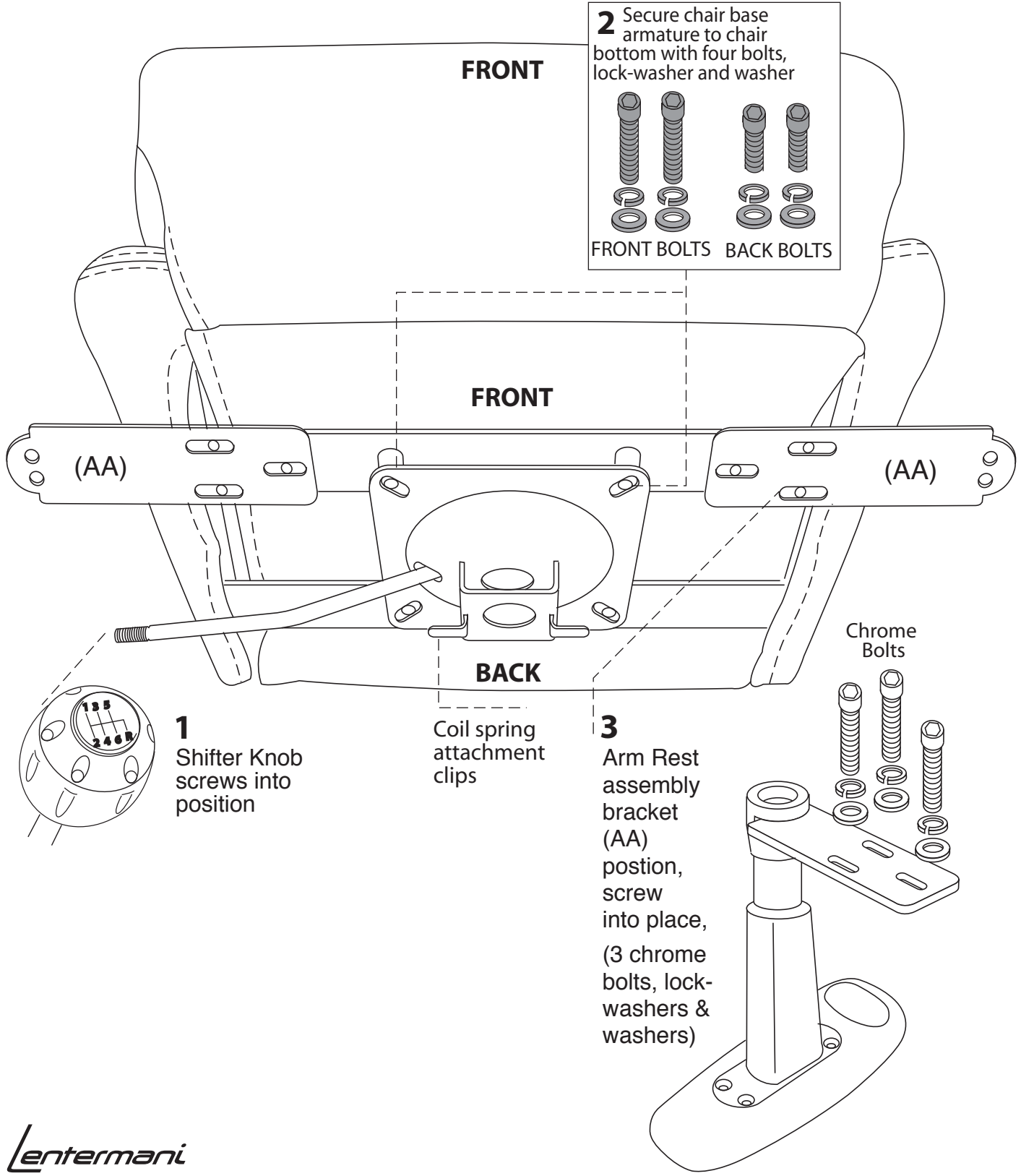


**PITSTOP CREW CHIEF
BAR CHAIR - BC6000
PARTS ASSEMBLY**



**PITSTOP CREW CHIEF
BAR CHAIR - BC6000
PARTS ASSEMBLY**



2 Secure chair base armature to chair bottom with four bolts, lock-washer and washer

FRONT BOLTS BACK BOLTS

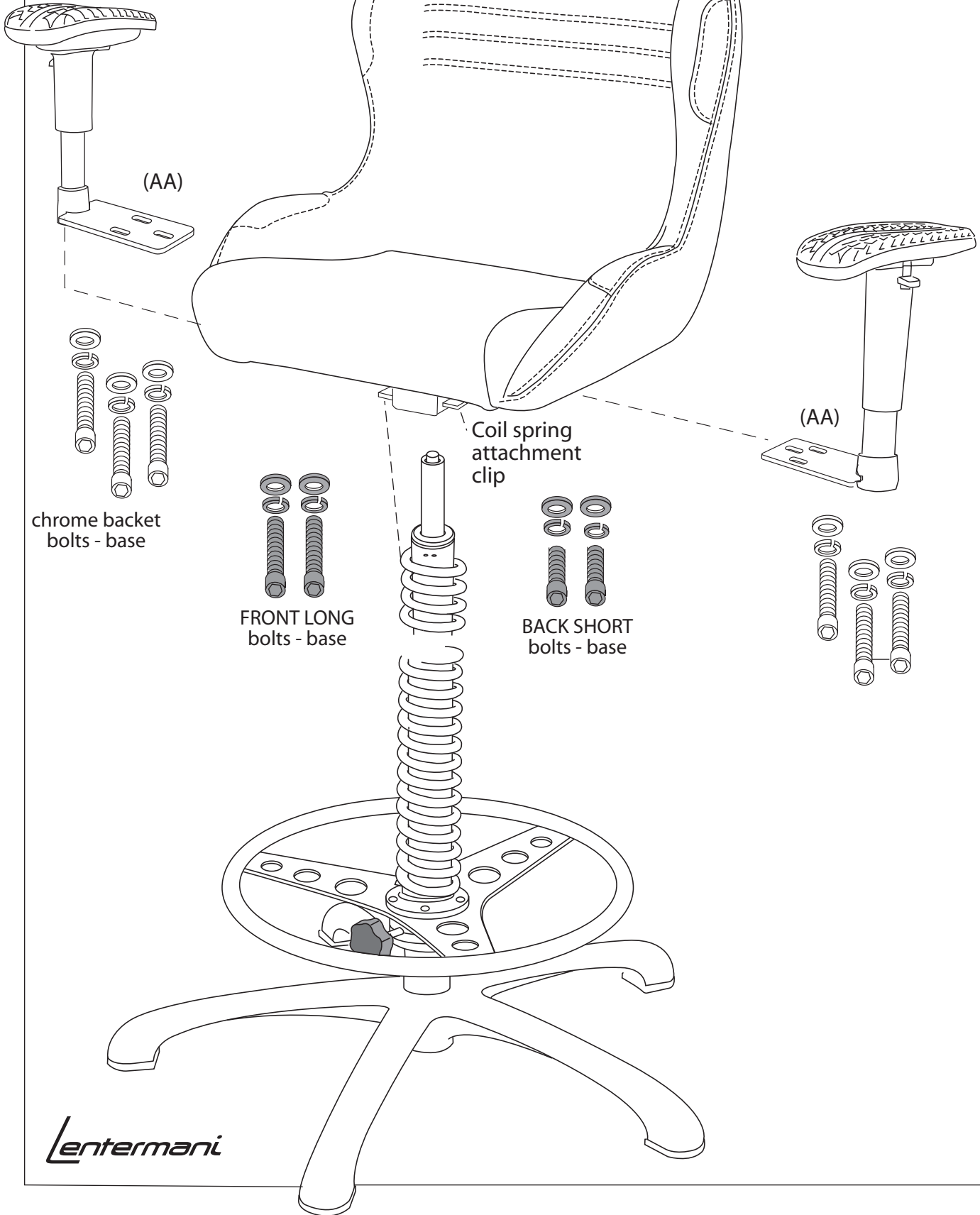
1 Shifter Knob screws into position

Coil spring attachment clips

3 Arm Rest assembly bracket (AA) position, screw into place, (3 chrome bolts, lock-washers & washers)

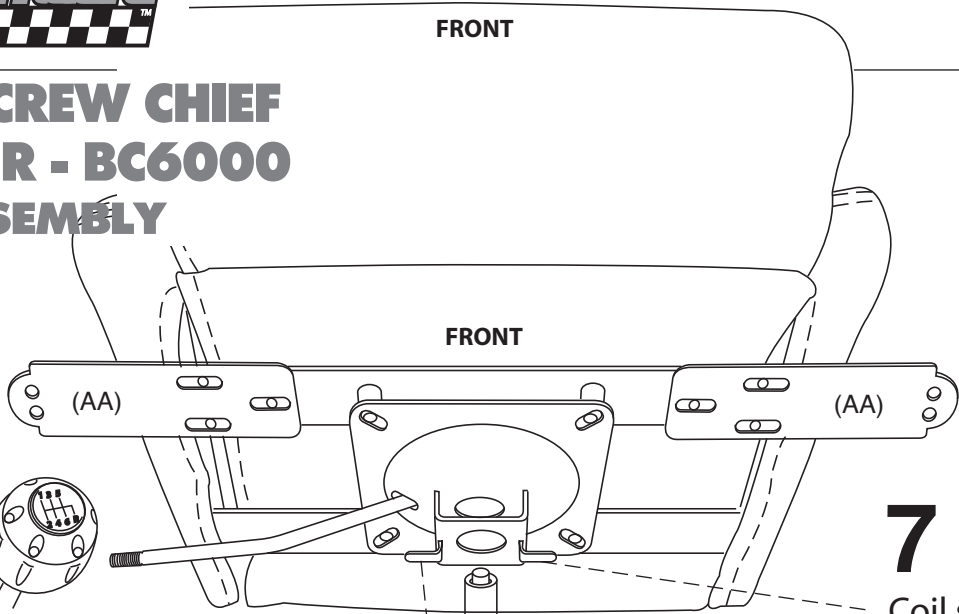
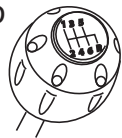
Chrome Bolts

**PITSTOP CREW CHIEF
BAR CHAIR - BC6000
PARTS ASSEMBLY**



**PITSTOP CREW CHIEF
BAR CHAIR - BC6000
PARTS ASSEMBLY**

Shifter Knob
screws into
position



7
Coil spring
attachment
clips

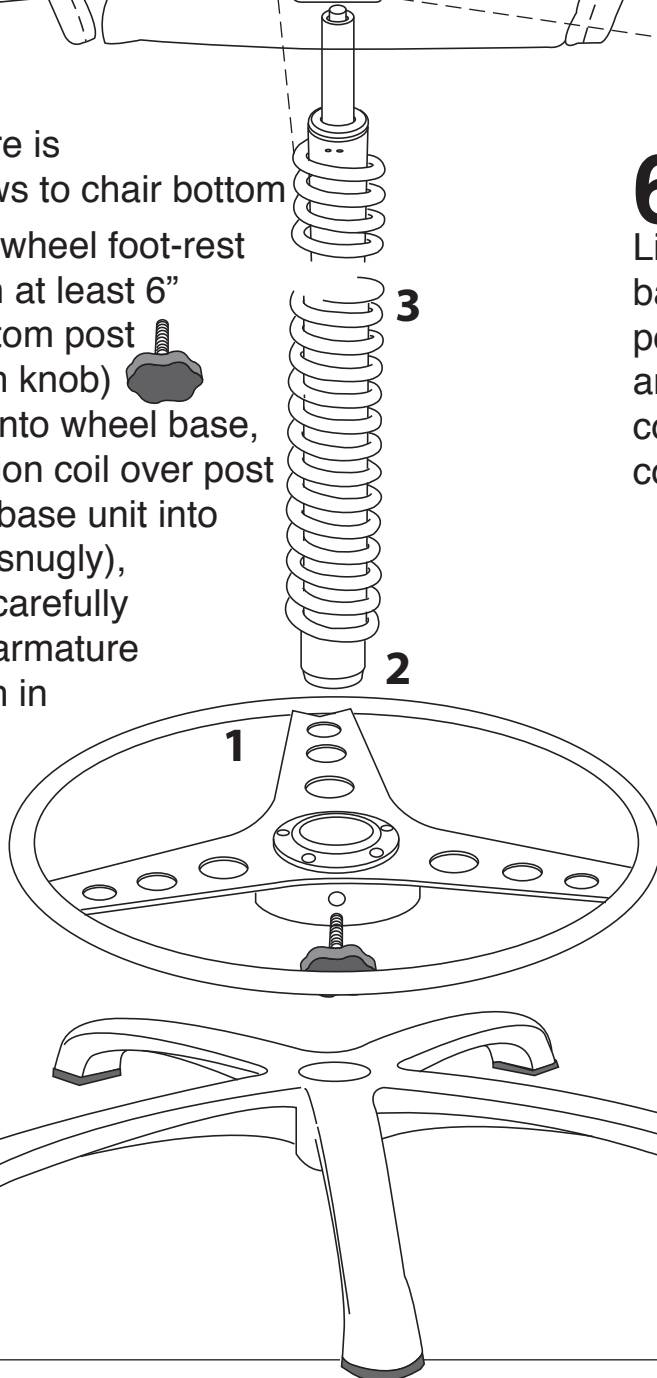
5 When your armature is
attached with screws to chair bottom

1-position steering-wheel foot-rest
over table post with at least 6"
clearance from bottom post
(tighten with knob)

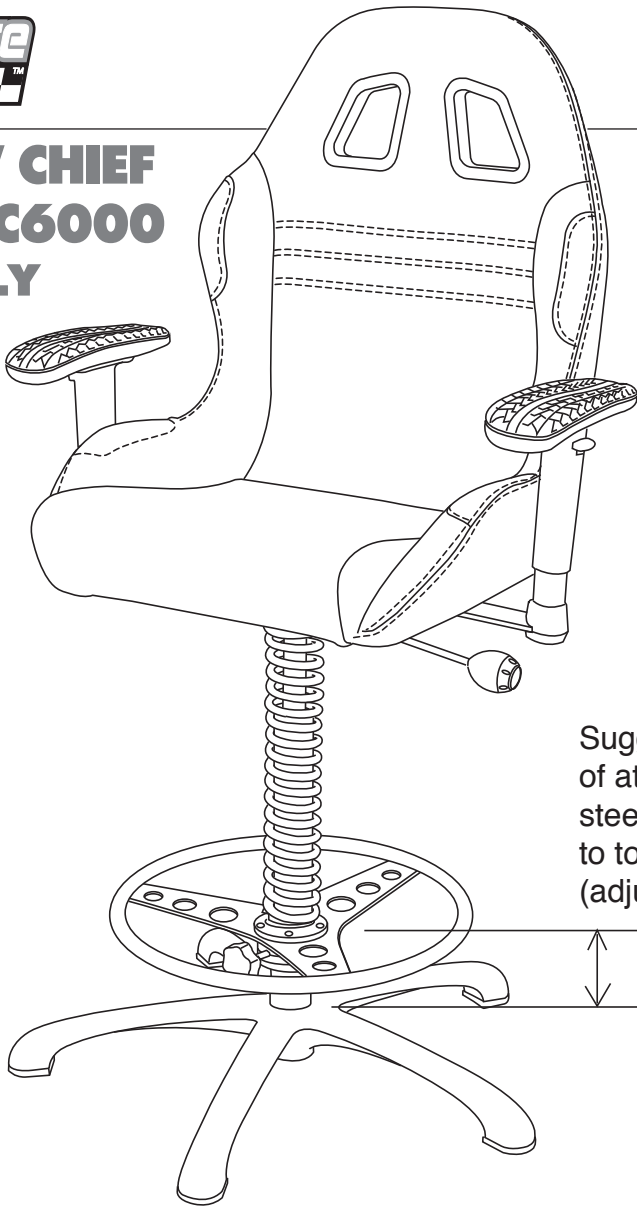
2-insert chair post into wheel base,
3-position suspension coil over post
– and insert wheel base unit into
chair base socket (snugly),
4-with assistance, carefully
position chair with armature
unit over post, push in
(snugly) to level

6
Lift chair, post, wheel
base into the up-right
position – the chair
and wheel base will
compress in one
complete chair unit.

4 Install- tap into
position the five
(5) base caps into
bottom chair base

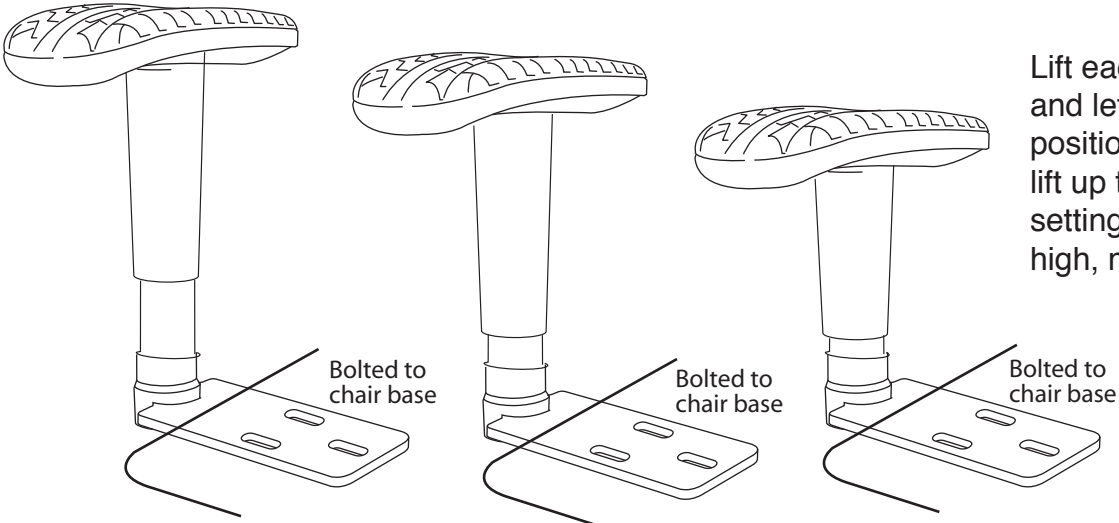


**PITSTOP CREW CHIEF
BAR CHAIR - BC6000
PARTS ASSEMBLY**



Suggest a clearance of at least 5" from under steering wheel foot rest to top of table base. (adjust to your comfort level)

Arm Rest – Three adjustable height settings



Lift each arm rest up and let it drop to bottom position, **carefully** lift up to desired height setting (3 settings – high, medium, low)