



Model: PL-7000X

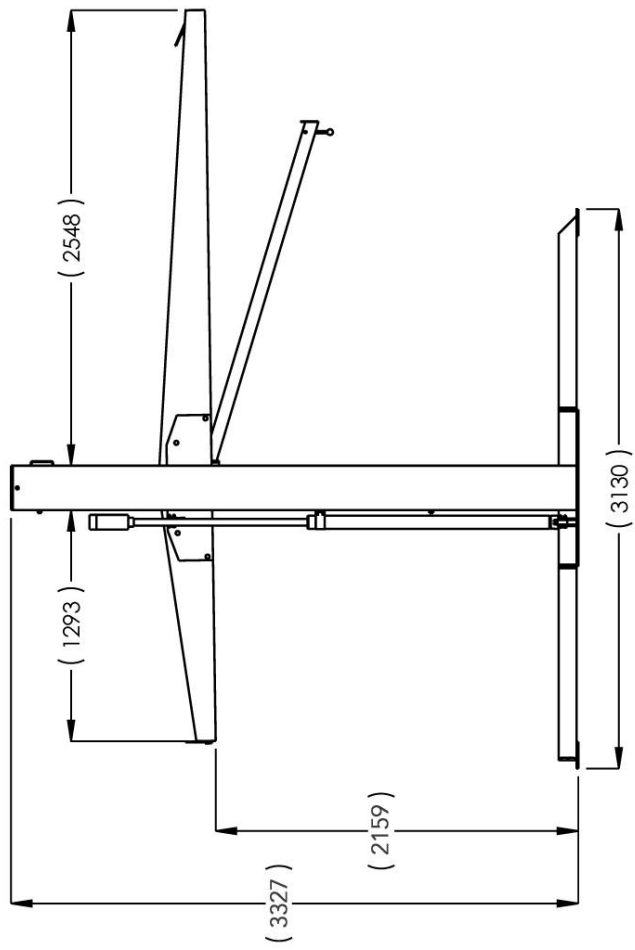
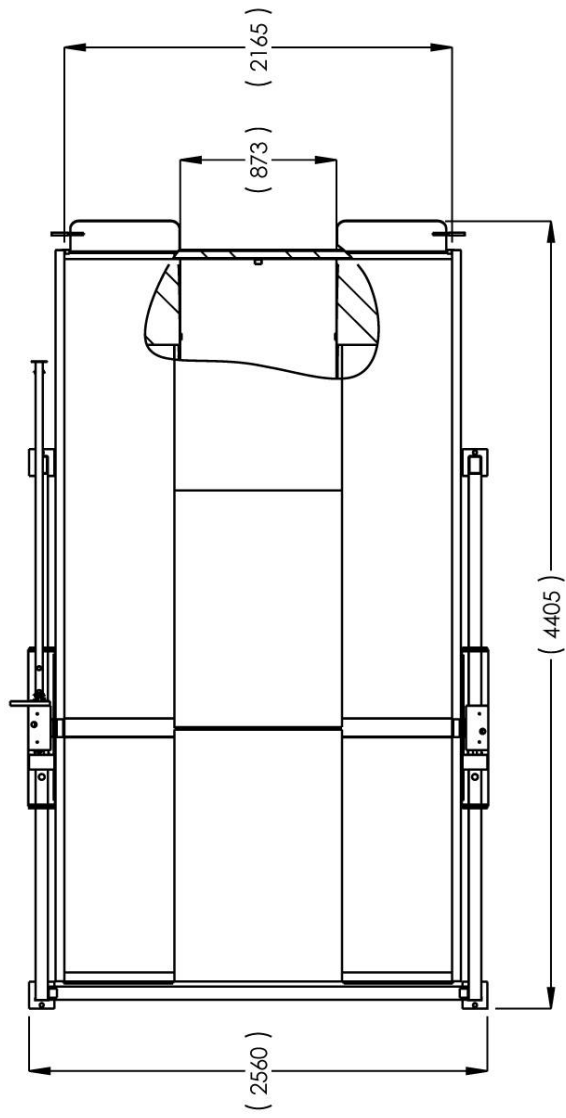
Description: Freestanding Dual Column Parking Lift

Standard features

- Minimum footprint allows multiple installations in minimum space.
- Independent lifting structures allows for staggered or offset installation.
- Audible / visual alarm during descent. OPTIONAL
- Integrated key-activated power On/Off switch. OPTIONAL
- Power-unit and controls integrated within lift structure
- Freestanding design reduces tax and permit liabilities in most counties.
- Overhead power unit provides smooth quiet hydraulic operation.
- Wide deck platform accommodates pickups, vans and cars.
- Designed for installation on typical parking surfaces.
- Durable construction for maximum stability.
- Full length center panels protects bottom vehicle.
- Dual hydraulic cylinders combined with heavy-duty lifting chain.
- Dual synchronization chains keep deck level at all times.
- Automatic safety lock.
- Maintenance free composite carriage bearings.
- Maintenance free self-lubricating chain rollers.



MODEL	PL-7000X
Lifting Capacity	7,000 Lbs. / 3175 Kg.
A - Height Overall:	131" / 3327 mm.
B - Rise:	85" / 2159 mm.
Overall Length	173-1/2" / 4405 mm.
Platform Length	157-1/2" / 4001 mm.
Overall Width	101" / 2560 mm.
Platform Width	85" / 2165 mm.
Speed of Rise	55 Seconds
Motor (*)	220 VAC / 60 Hz. 1Ph.
* Special Voltages Available Upon Request.	
The design, material and specifications are subject to change without notice.	



Bend-Pak
 1645 LEMONWOOD DR.
 SANTA PAULA, CA 93060

TITLE: PL7000X FLOORPLAN		SHEET 2 OF 2	
SIZE	DWG. NO.	REV	
A	5245029	E	
SCALE: 1:35			