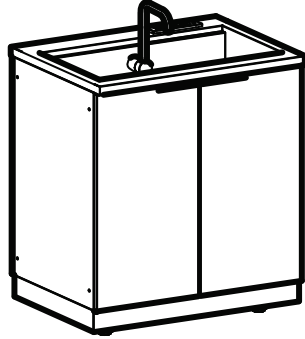
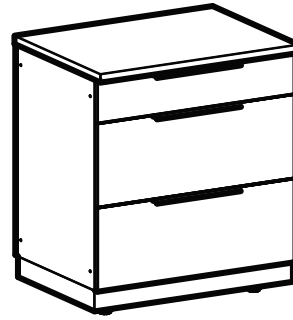


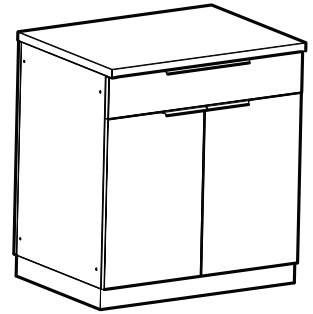
32" 2 Door Aluminum  
65200



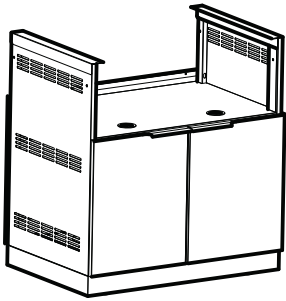
32" Sink Aluminum  
65201



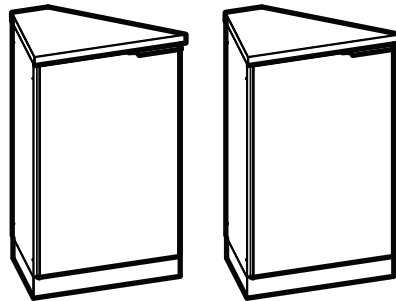
32" 3 Drawer Aluminum  
65202



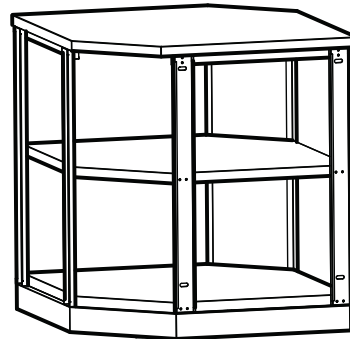
32" Bar Aluminum  
65203



33" Insert Grill Aluminum  
65204



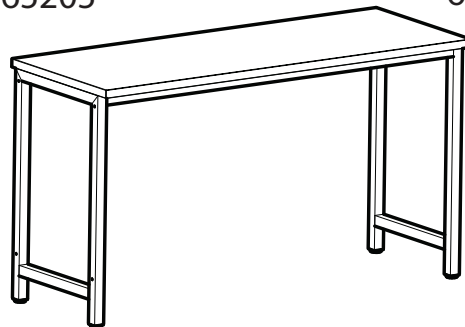
45 Degree Aluminum Set  
65205



90 Degree Shelf Aluminum  
65206



32" Bar Cart  
65207



64" Prep Table  
65208

## OUTDOOR KITCHEN Aluminum Sets



**Warning: Excessive weight hazard!**

Use two or more people to move, assemble or install cabinets and shelves to avoid back injury.  
Do not leave children unattended near cabinets.

For assistance, call 1.877.306.8930; for UK 0800.031.4069; e-mail at [info@newageproducts.com](mailto:info@newageproducts.com)

# Limited Warranty:



All products must be installed, operated, and maintained in accordance with the instructions included with the products. If a product is properly installed, operated, and maintained fails to meet the below limited warranty, NewAge Products, Inc ("NewAge") will replace the defective product or parts.

Subject to the limitations and disclaimers set forth below or in other product documentation, NewAge warrants to the initial customer that (1) product finishes will be free from defects for three years following purchase, (2) drawer slides will be free from defects for two years following purchase, and (3) the overall structural integrity of the product (not including finishes or drawer slides) will be free from defects for ten years following purchase.

Customer must pay for shipping costs associated with any replacement product or parts. This limited warranty is limited to product replacement only. In no event will NewAge be liable for special, indirect, or consequential damages.

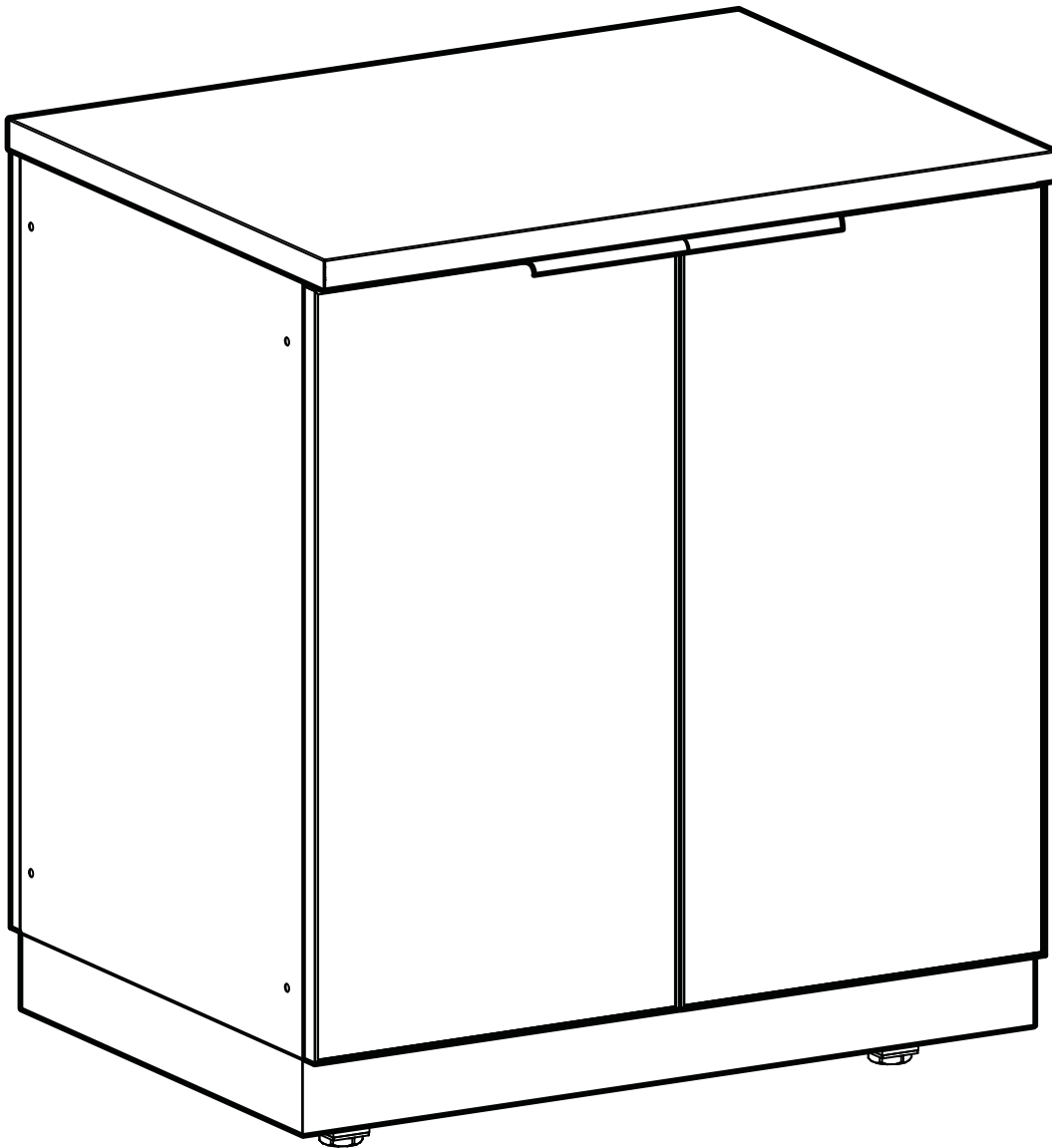
This limited warranty is available to the initial purchaser only and is not transferable. Proof of purchase and additional information regarding the defect may be required at NewAge's discretion. The warranty is made only to products sold in the continental United States, Canada, and the United Kingdom.

## ALL OTHER WARRANTIES DISCLAIMED:

ALL OTHER WARRANTIES ARE DISCLAIMED TO THE MAXIMUM EXTENT PERMITTED BY APPLICABLE LAW. WITHOUT LIMITING THE GENERALITY OF THE FORGOING, NEWAGE EXPRESSLY DISCLAIMS ANY IMPLIED WARRANTIES OF MERCHANTABILITY OR FITNESS FOR A PARTICULAR PURPOSE.

## NEWAGE PRODUCTS INC. WILL NOT PAY FOR:

1. Service calls or labor costs.
2. Products damaged by accident, misuse, abuse, fire, flood, improper installation, acts of God, neglect, corrosion, improper maintenance or cleaning, modification, mishandling or not following care instructions.
3. Products damaged by improperly loading beyond the specified maximum weight capacity outlined in the instructions provided with the product.
4. Defects results from use in excess of normal residential use.
5. Cosmetic damage that occurs after customer purchasing the product, including scratches, dings, dents, corrosion, or stains in the material that does not affect the structural or functional capability of the product.
6. Loss of product contents.



## OUTDOOR KITCHEN 32"2 Door Aluminum

---



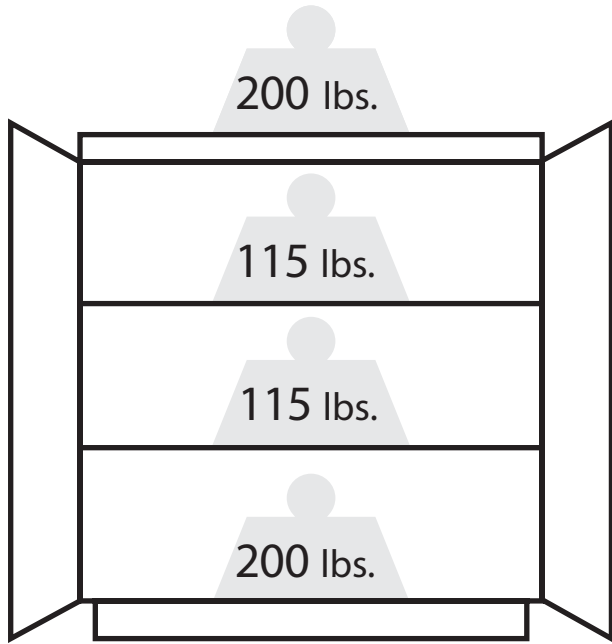
### **Warning: Excessive weight hazard!**

Use two or more people to move, assemble or install cabinets and shelves to avoid back injury.  
Do not leave children unattended near cabinets.

For assistance, call 1.877.306.8930; for UK 0800.031.4069; e-mail at [info@newageproducts.com](mailto:info@newageproducts.com)

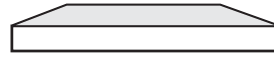
65200-INSTL-01-Rev.01

# Weight Capacity



32" - 2 Door Cabinet  
Max 630 lbs.

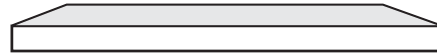
# Worktops



32" Worktop. Fits over 1 Cabinet



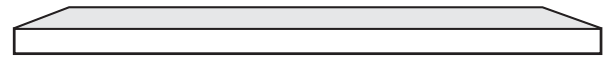
56" Worktop. Fits over 1 Cabinet & Fridge nook.



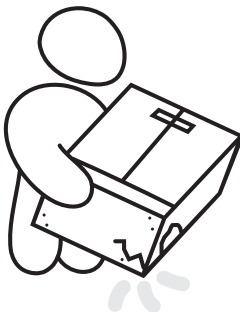
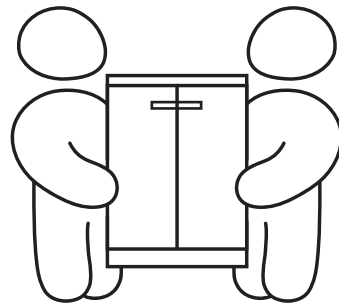
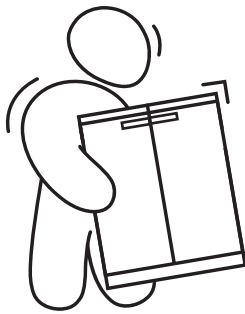
64" Worktop. Fits over 2 Cabinets



88" Worktop. Fits over 2 Cabinets & Fridge nook.



96" Worktop. Fits over 3 Cabinets

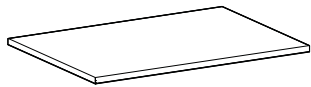


# Unpacking

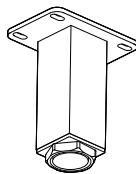
- Begin by placing the package on a protected flat surface.
- Remove all cardboard, foam packaging material and clear plastic bags.
- Dispose / recycle all packaging materials.
- Verify all the contents in the box and gather the required tools. See “Parts” and “Tools Needed” in the list below.

## Parts Supplied

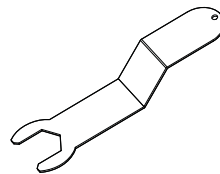
	<b>2 Door Cabinet</b>
Height-Adjustable Aluminum Legs	<b>4</b>
Hex Bolt (M6 x 25mm)	<b>16</b>
Hex Bolt ( M5 x 50mm)	<b>4</b>
Hex Nuts (M5)	<b>4</b>
Leg Adjustment Wrench	<b>1</b>
Adjustable Shelves	<b>2</b>
Shelf Clips	<b>8</b>



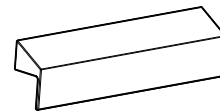
2 x Full Width Adjustable Shelves



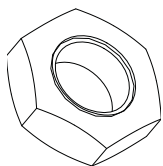
4 x Height-Adjustable Aluminum Legs



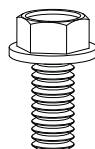
1 x Leg Wrench



2 x Plated Aluminum Handles



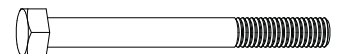
4 x Hex Nuts (M5)



16 x Hex Bolts (M6 X 25mm)



8 x Shelf Clips



4 x Hex Bolts (M5 x 50mm)

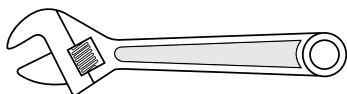
**OTHER NOTES TO CONSUMER:**

Discoloration due to the high heat, for example beside a grill, is a trait of stainless steel and is not covered. Surface rust resulting from acid rain or environmental chemicals are not covered. (Please see maintenance information to combat surface rust). NewAge outdoor powder coated finishes are designed to withstand weathering and are UV stable.

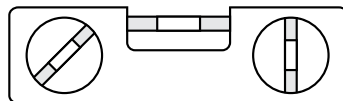
The 304 stainless steel material used in the construction of NewAge Outdoor Kitchen Cabinets is highly rust resistant, however, chlorine in the air from swimming pools or the salt from sea air may cause surface rust to appear and even create some pitting corrosion if left on the product. We strongly recommend a suitable maintenance tested product. We suggest cleaning all stainless steel surfaces at least every two weeks to keep your cabinets in prime condition. The chemical reaction from salt is easy to prevent however it is more difficult when left on the surface.

Additional product information is available at  
<http://www.newageproducts.com/outdoor-kitchen-limited-warranty>

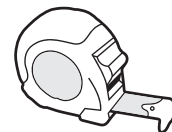
# Tools Needed



**1 x** Adjustable wrench



**1 x** 24" Level



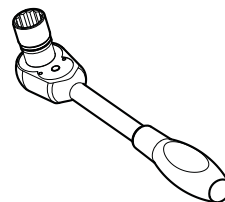
**1 x** Tape Measure



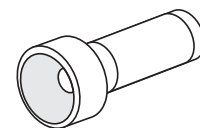
**1 x** 7/16" Open end wrench



**1 x** 7/16" socket



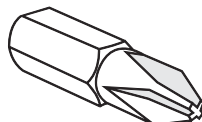
**1 x** Socket wrench



**1 x** Flashlight



**1 x** #2 Phillips head screwdriver



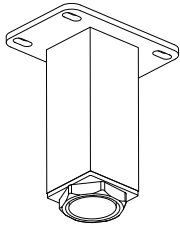
**1 x** #2 Phillips Bit



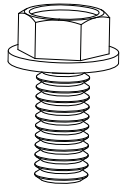
**1 x** Cordless Power Drill

# Installing the Legs

## **i** Parts Needed.

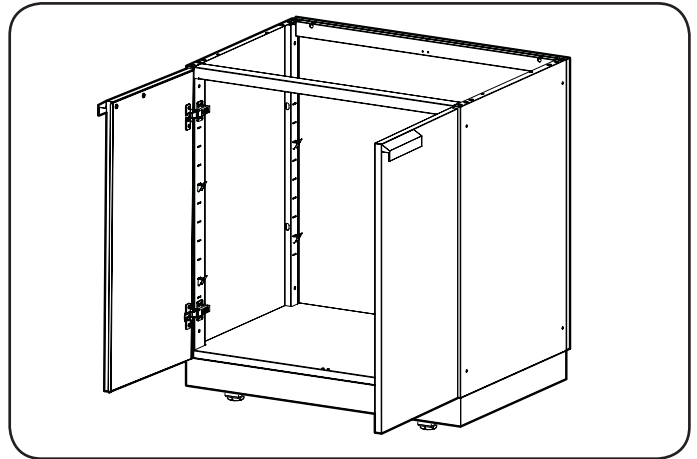


4 X Adjustable Feet

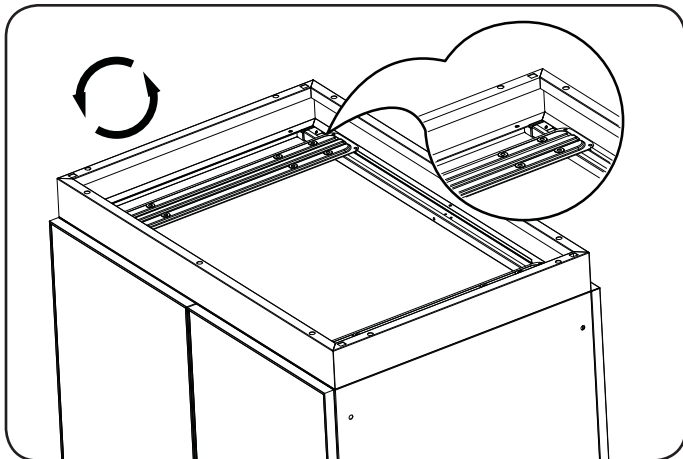


16 X Hex Washer Bolt

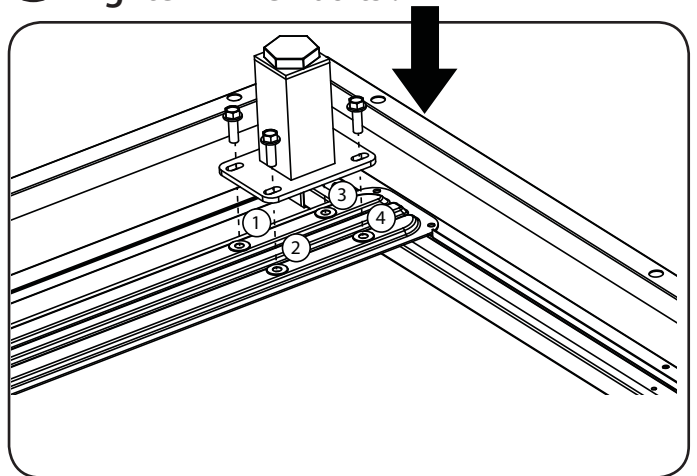
## **1** Open cabinet, remove any shelves or loose items.



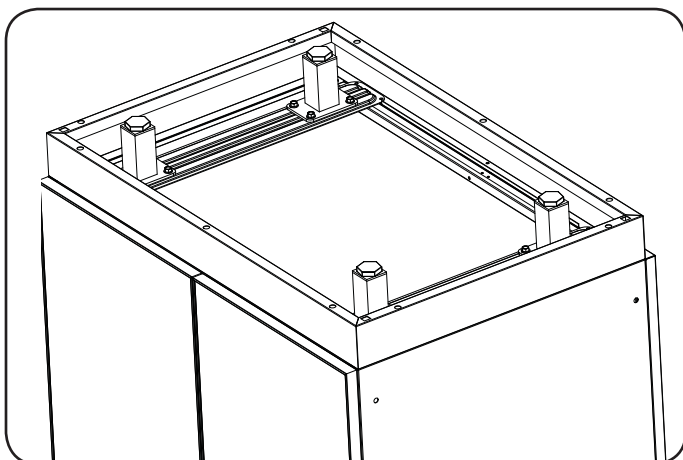
## **2** Flip cabinet upside down, locate holes on crossbeam.



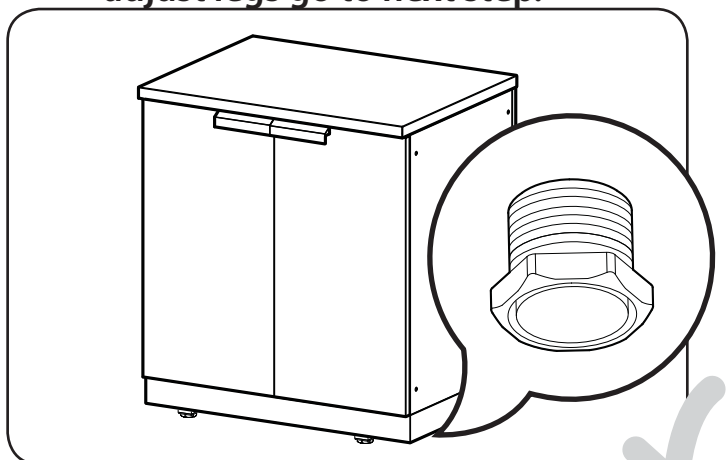
## **3** Align leg with rivet nuts on crossbeam. Tighten in Hex bolts.



## **4** Repeat step 3 for each corner.

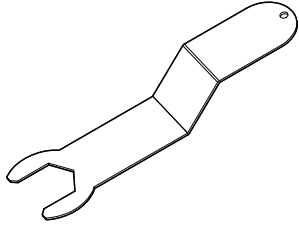


## **5** Stand cabinet upright. To level and adjust legs go to next step.



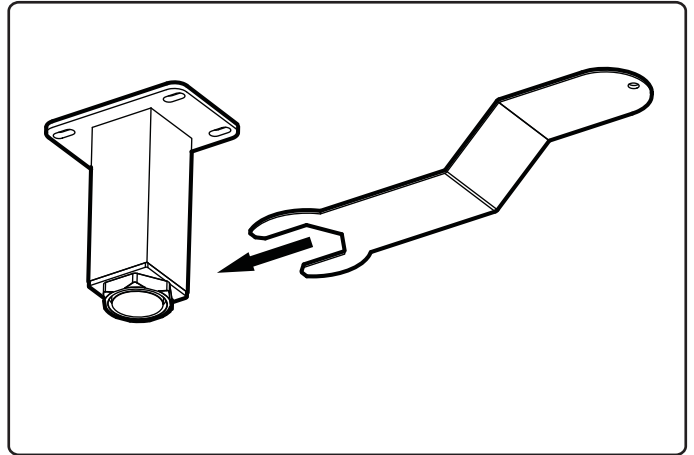
# Levelling the Legs

## **i** Parts Needed.

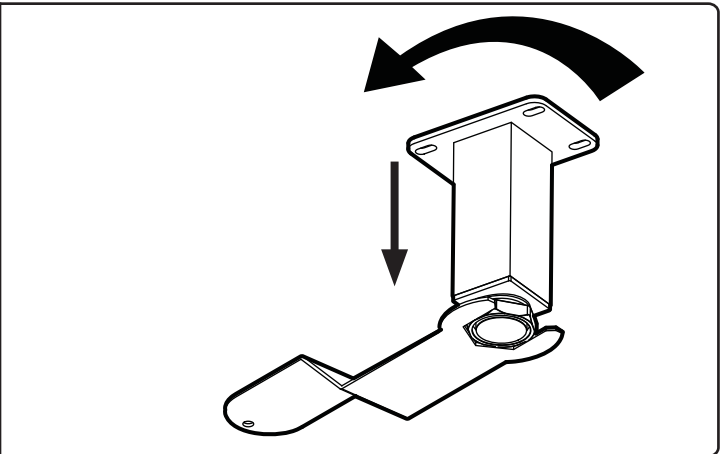
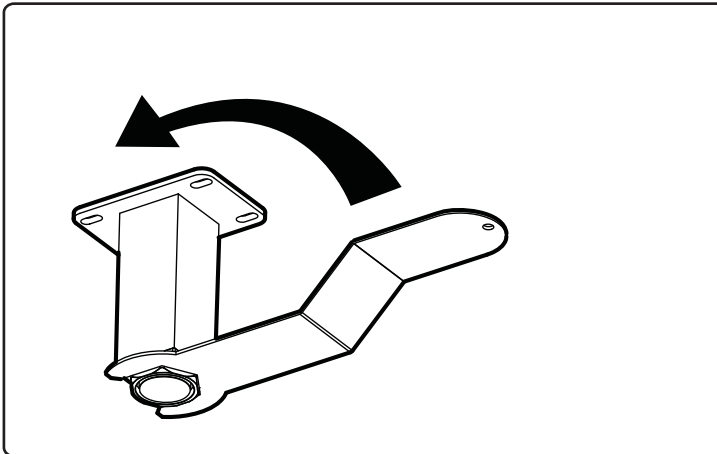


1 X Glide Wrench

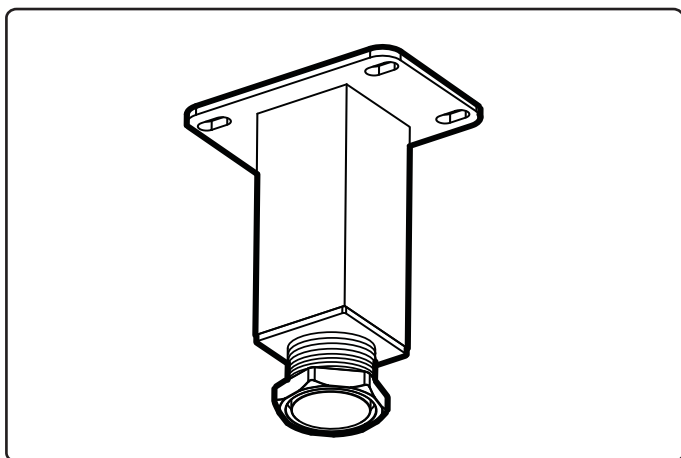
## **1** Use wrench to level cabinet and adjust height.



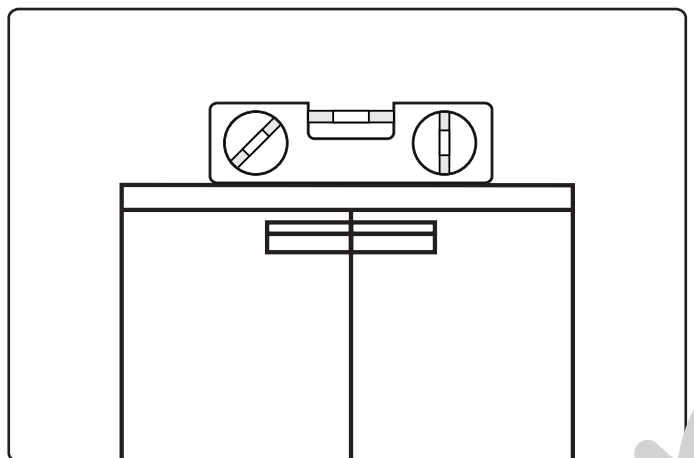
## **2** Rotate wrench to lower or raise corner of cabinet.



## **3** Repeat step 1-3 for each corner.



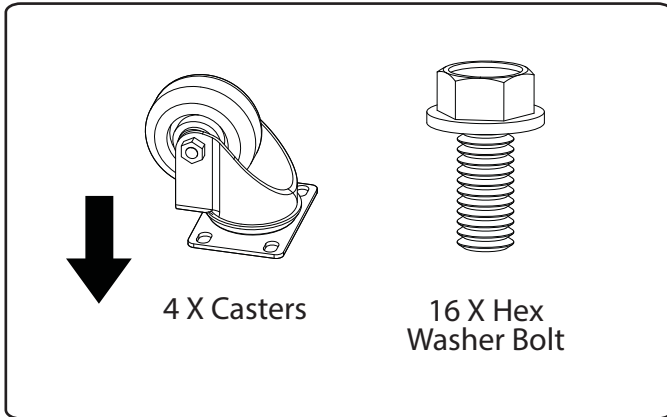
## **4** Level Cabinet.



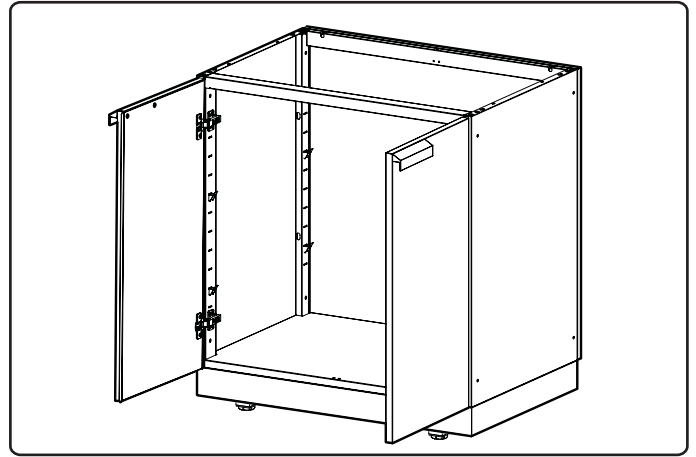


# Installing the Casters(optional)

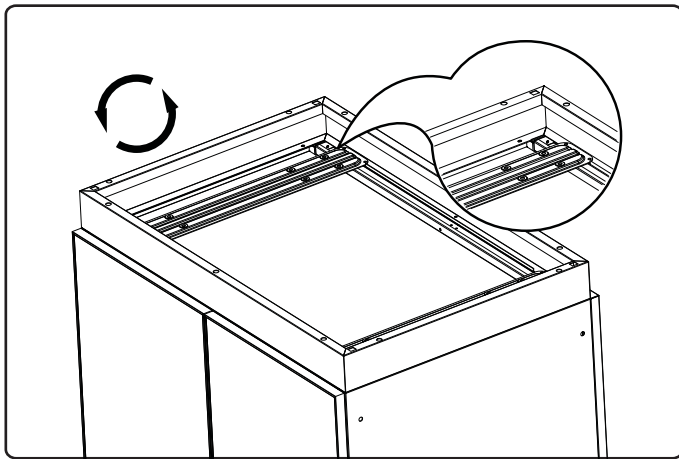
## **i** Parts Needed.



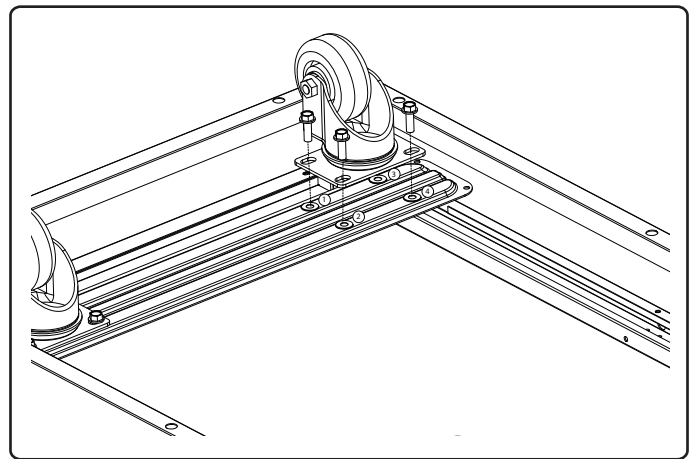
## **1** Open cabinet, remove any shelves or loose items.



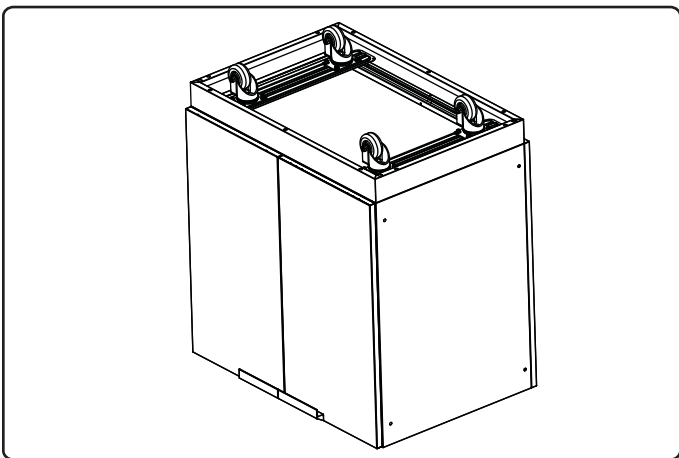
## **2** Flip cabinet upside down on protected surface and locate holes on crossbeam.



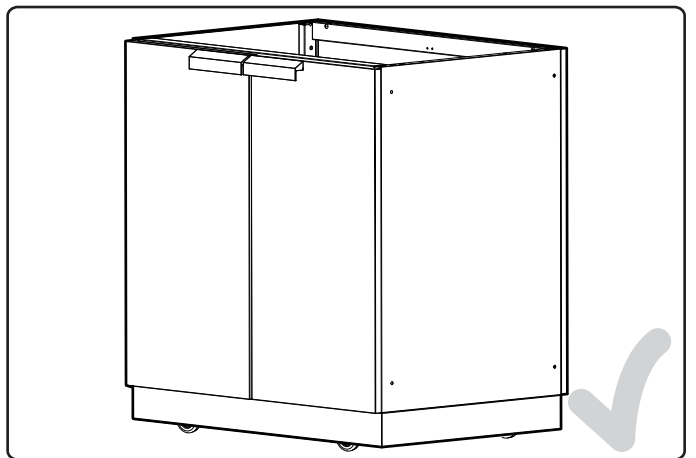
## **3** Align caster with holes on crossbeam. Tighten in Hex bolts.



## **4** Repeat step 3 to install all casters

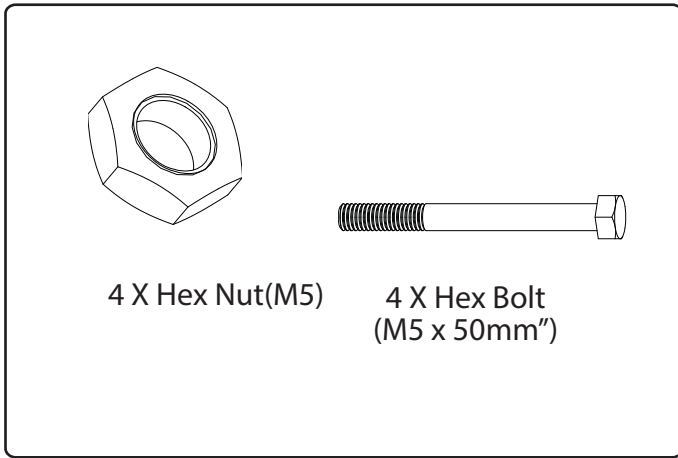


## **5** Stand cabinet upright.

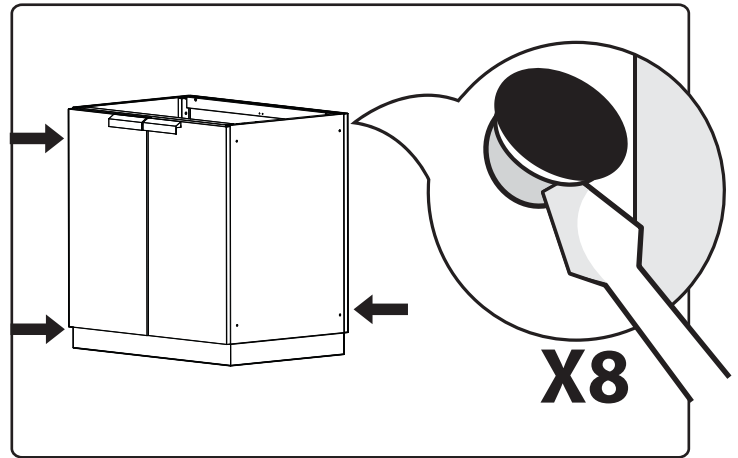


# Fastening Cabinets(to each other)

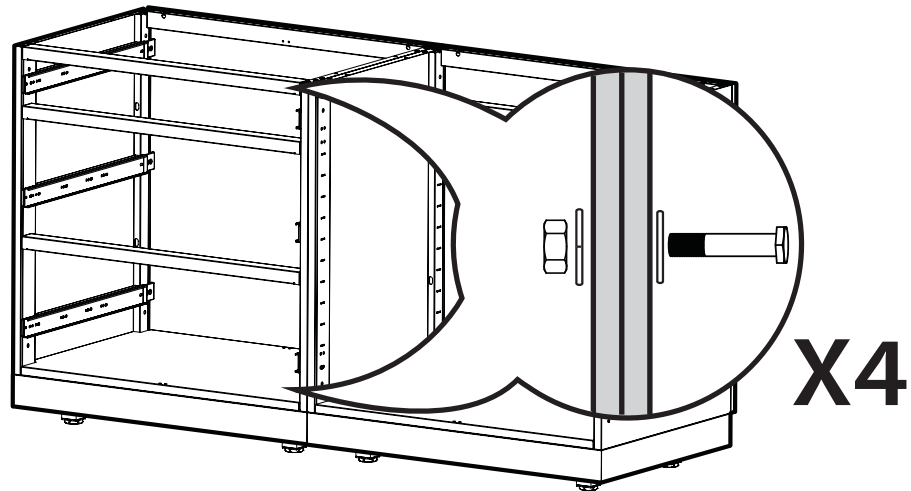
## 1 Parts Needed.



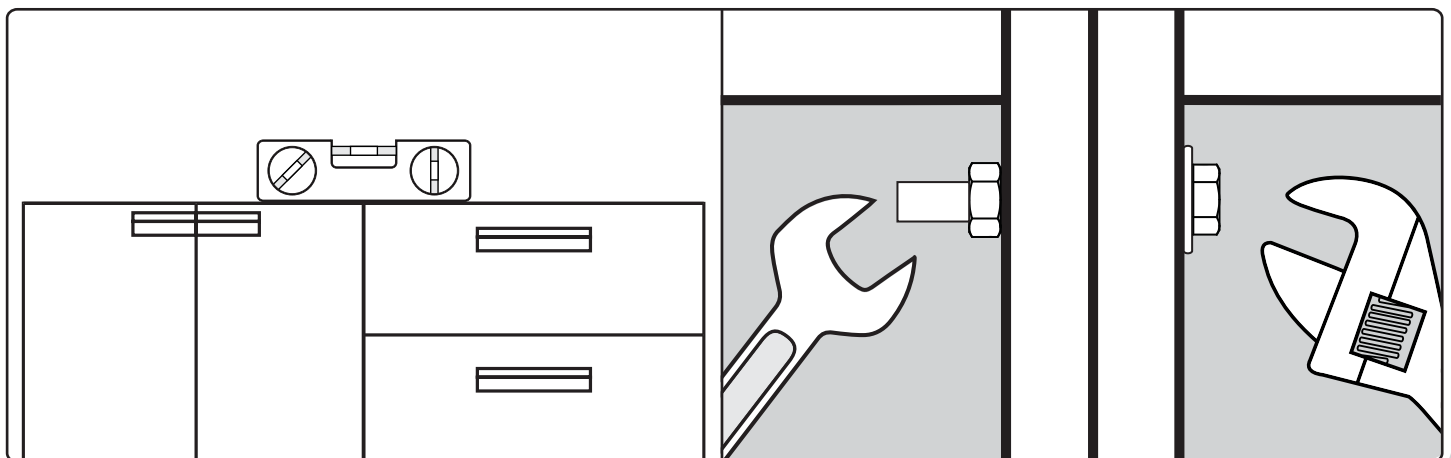
## 2 Remove plastic caps from cabinets.



## 3 Align bolts, tighten lightly.

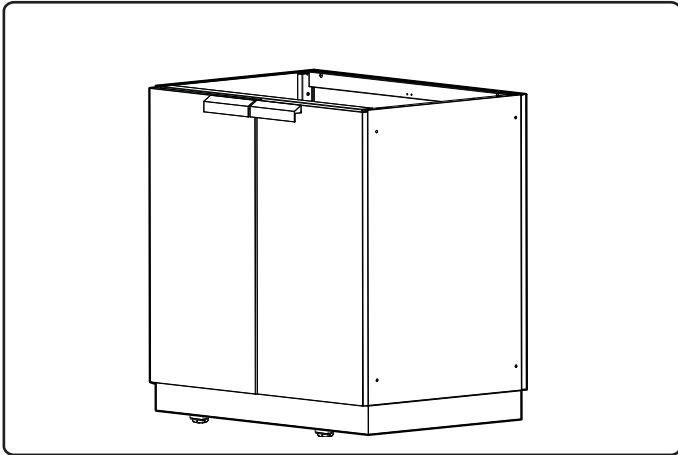


## 4 Level cabinets and tighten all bolts.

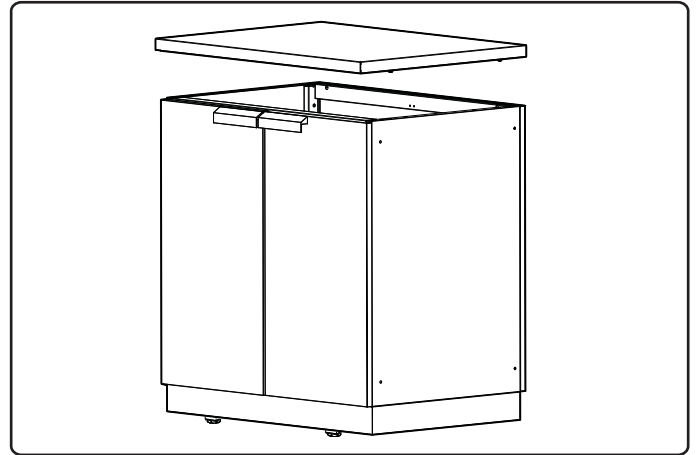


# Mounting the Worktop

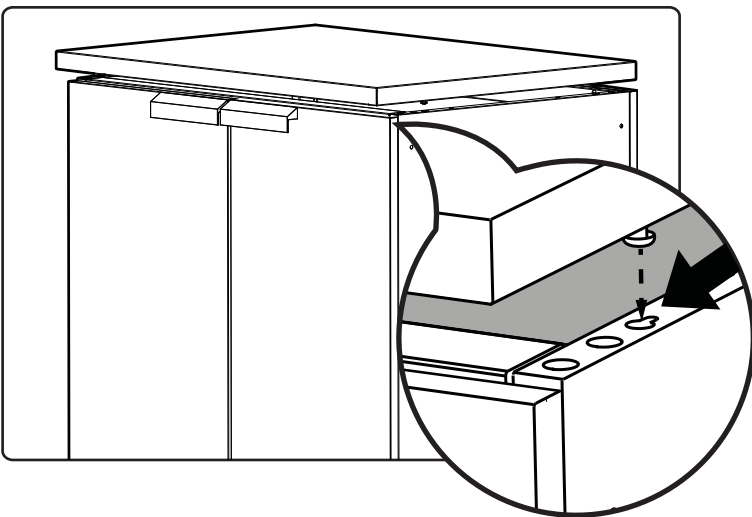
**1** Stand cabinet upright.



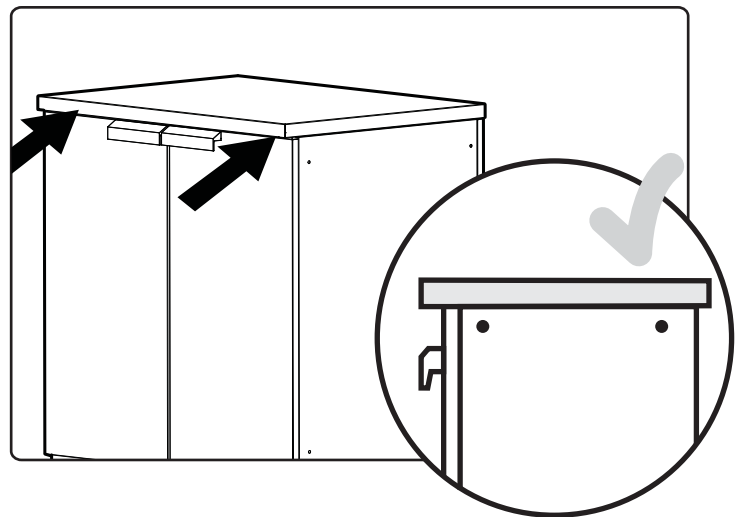
**2** Place worktop over cabinets.



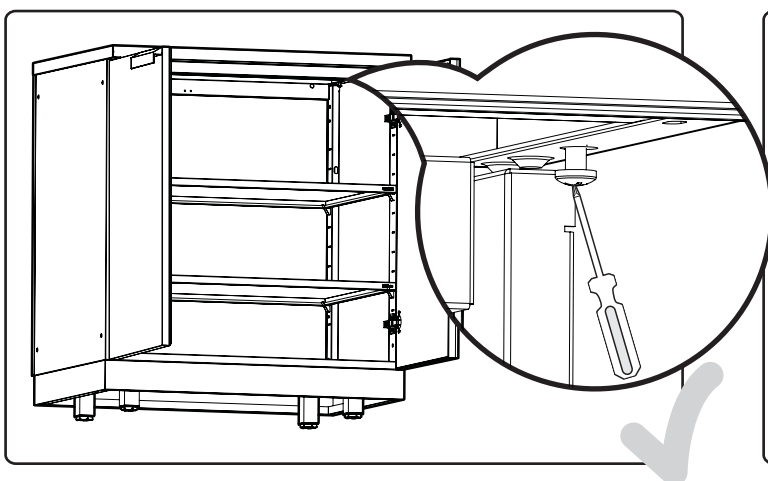
**3** Insert the worktop bolt heads into the keyhole shape slots.



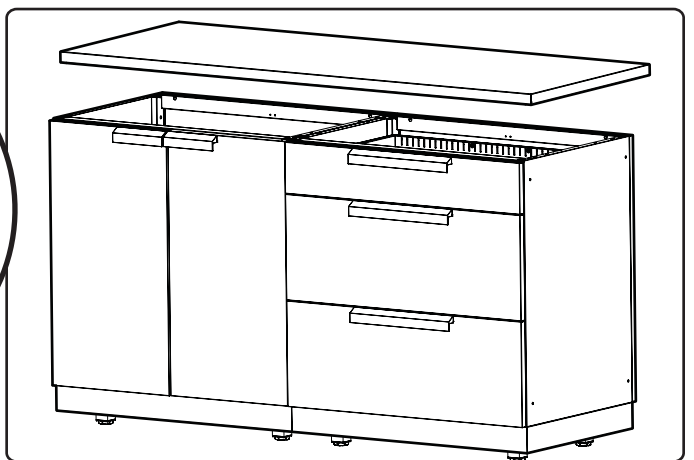
**4** Push worktop in to lock.



**5** Tighten screws to secure cabinets.

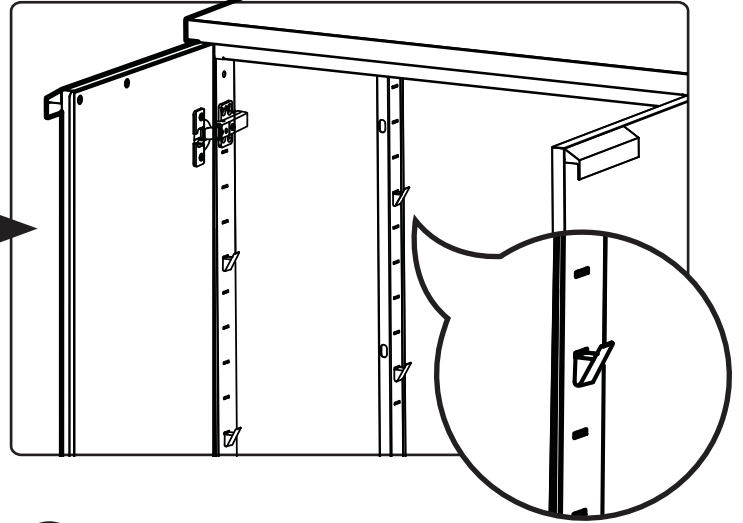
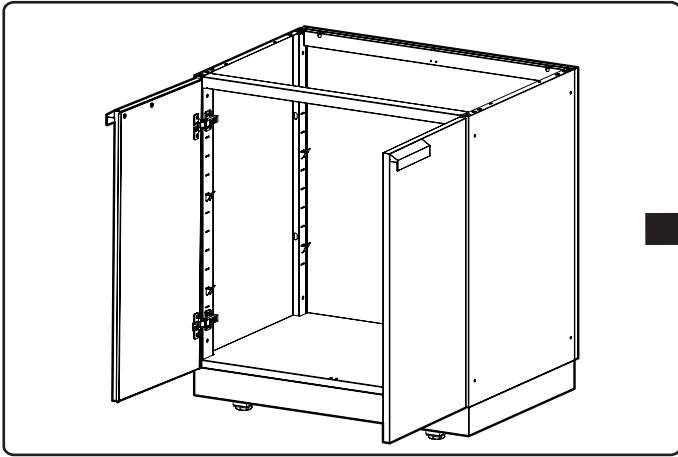


**Optional:** Repeat steps 2-5 for mounting larger worktops.

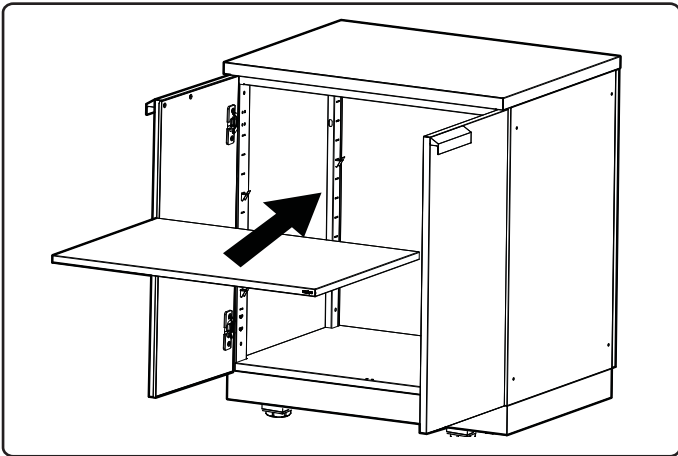


# Inserting Cabinet Shelves

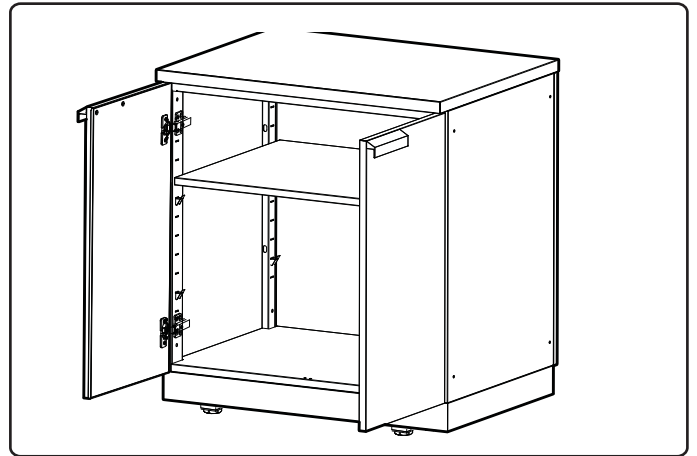
- 1** Open cabinet doors. Attach shelf clips to desired height.



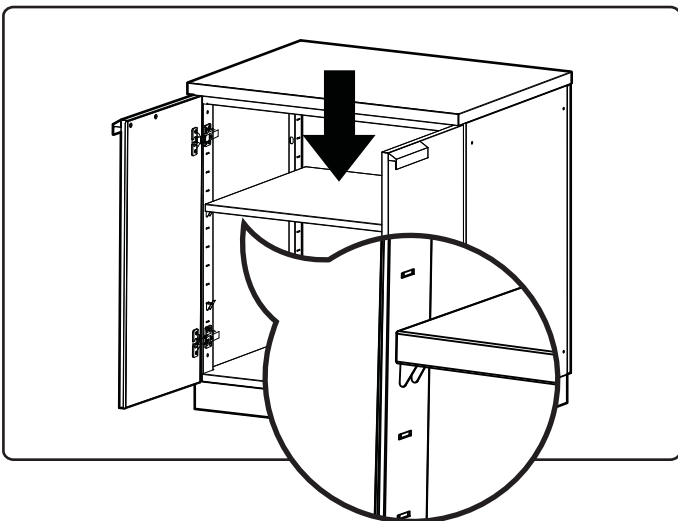
- 2** Begin with shelf being level.



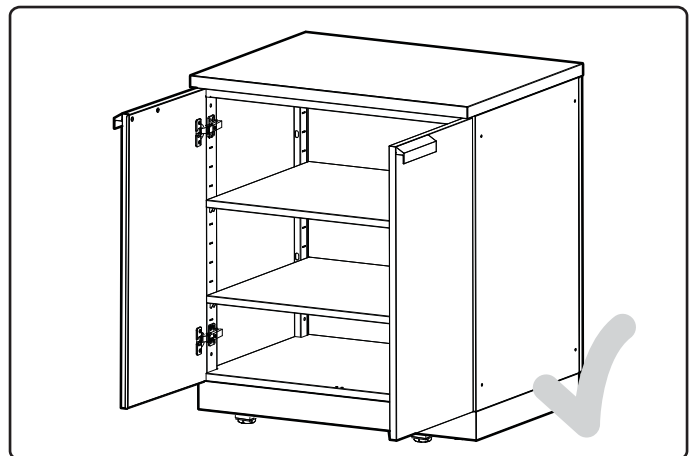
- 3** Insert and position above shelf clips.



- 4** Lower shelf down onto shelf clips.



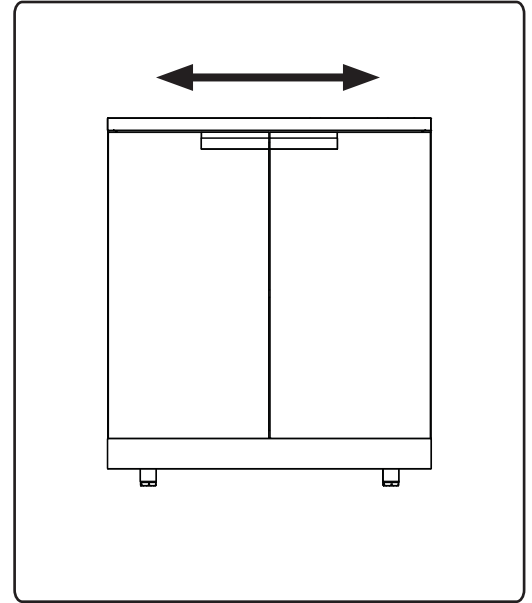
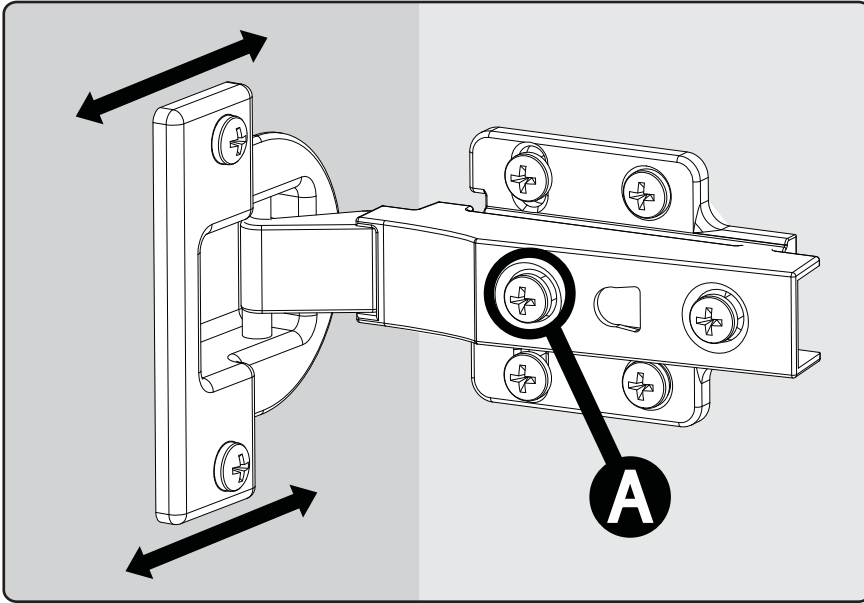
- 5** Install remaining shelves.



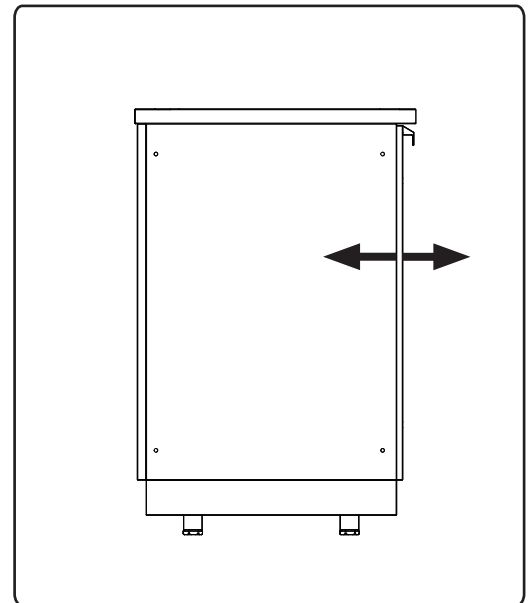
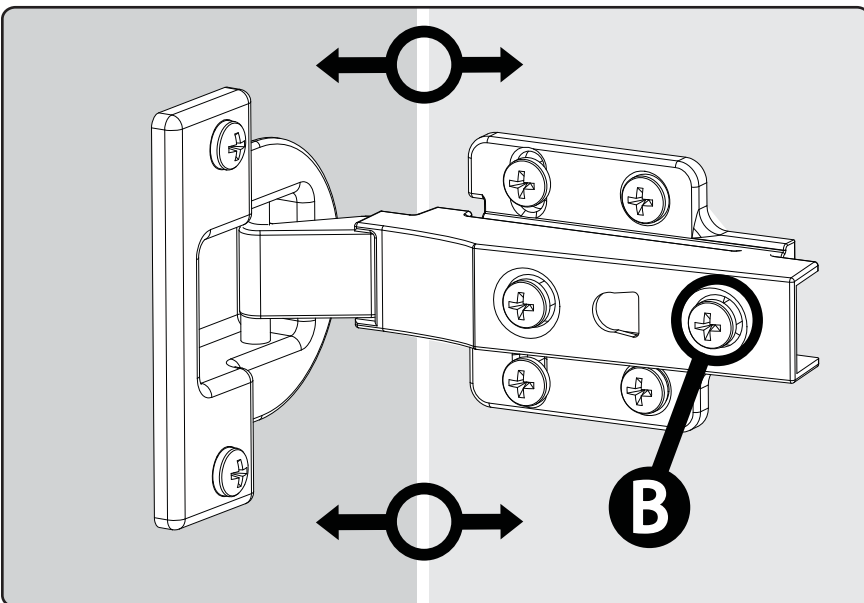
# Adjusting The Door Hinges

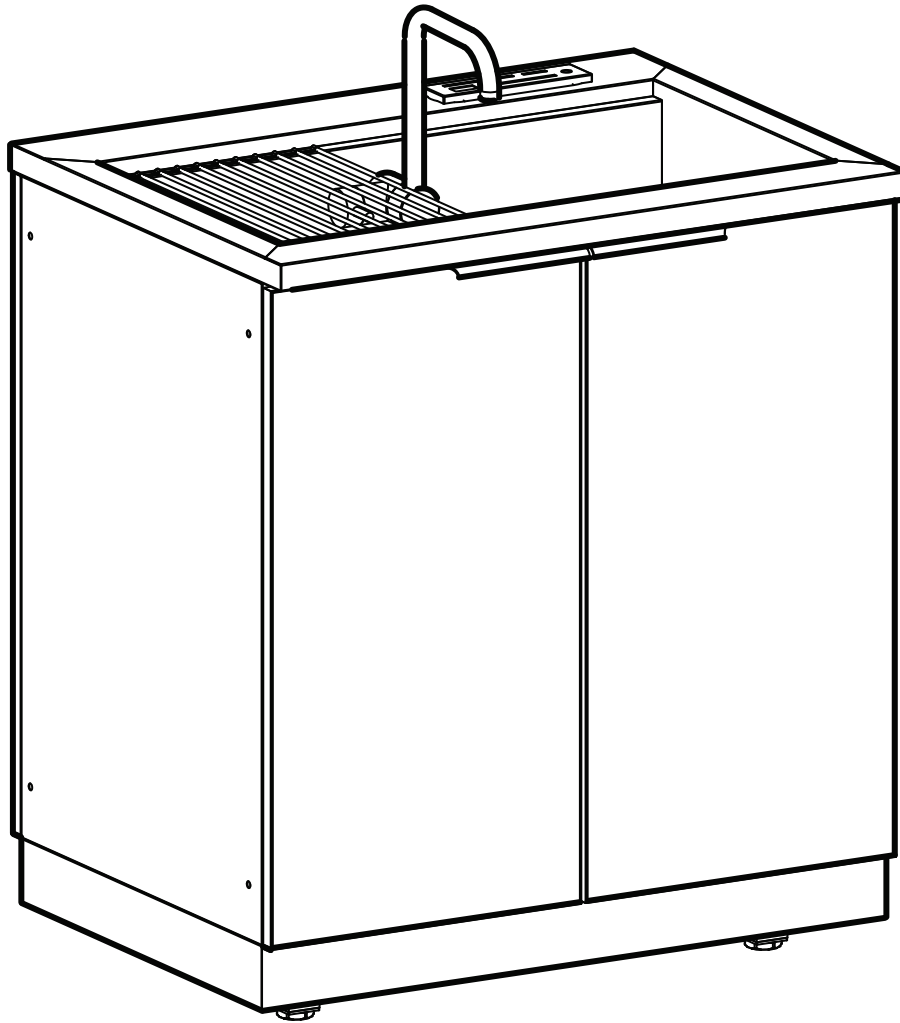
Using a Philips screwdriver, the doors can be adjusted:  
Left, right, forwards and backwards.

- 1** To adjust the doors left or right, turn the screw (A) clockwise or counterclockwise.



- 2** To adjust the gap between the doors and frame, turn the screw (B) clockwise or counterclockwise.





## OUTDOOR KITCHEN 32"2 Sink Base Alum

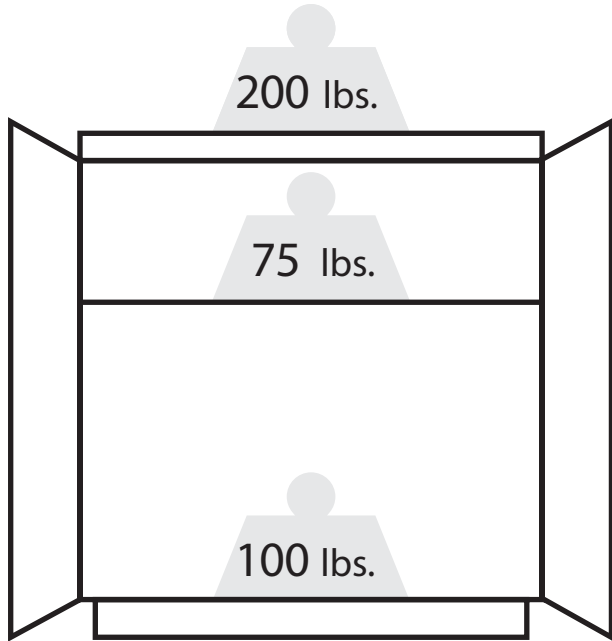


### **Warning: Excessive weight hazard!**

Use two or more people to move, assemble or install cabinets and shelves to avoid back injury.  
Do not leave children unattended near cabinets.

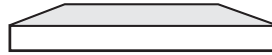
For assistance, call 1.877.306.8930; for UK 0800.031.4069; e-mail at [info@newageproducts.com](mailto:info@newageproducts.com)

# Weight Capacity

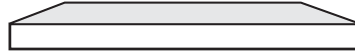


32" - Sink Cabinet  
Max 375 lbs.

# Worktops



32" Worktop. Fits over 1 Cabinet



56" Worktop. Fits over 1 Cabinet & Fridge nook.



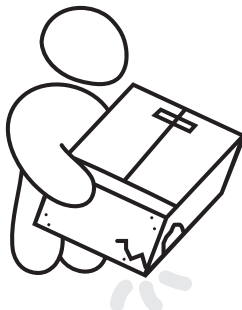
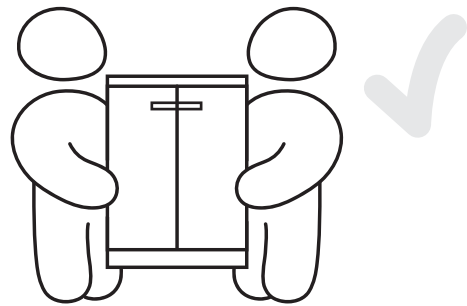
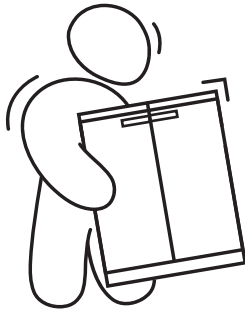
64" Worktop. Fits over 2 Cabinets



88" Worktop. Fits over 2 Cabinets & Fridge nook.



96" Worktop. Fits over 3 Cabinets

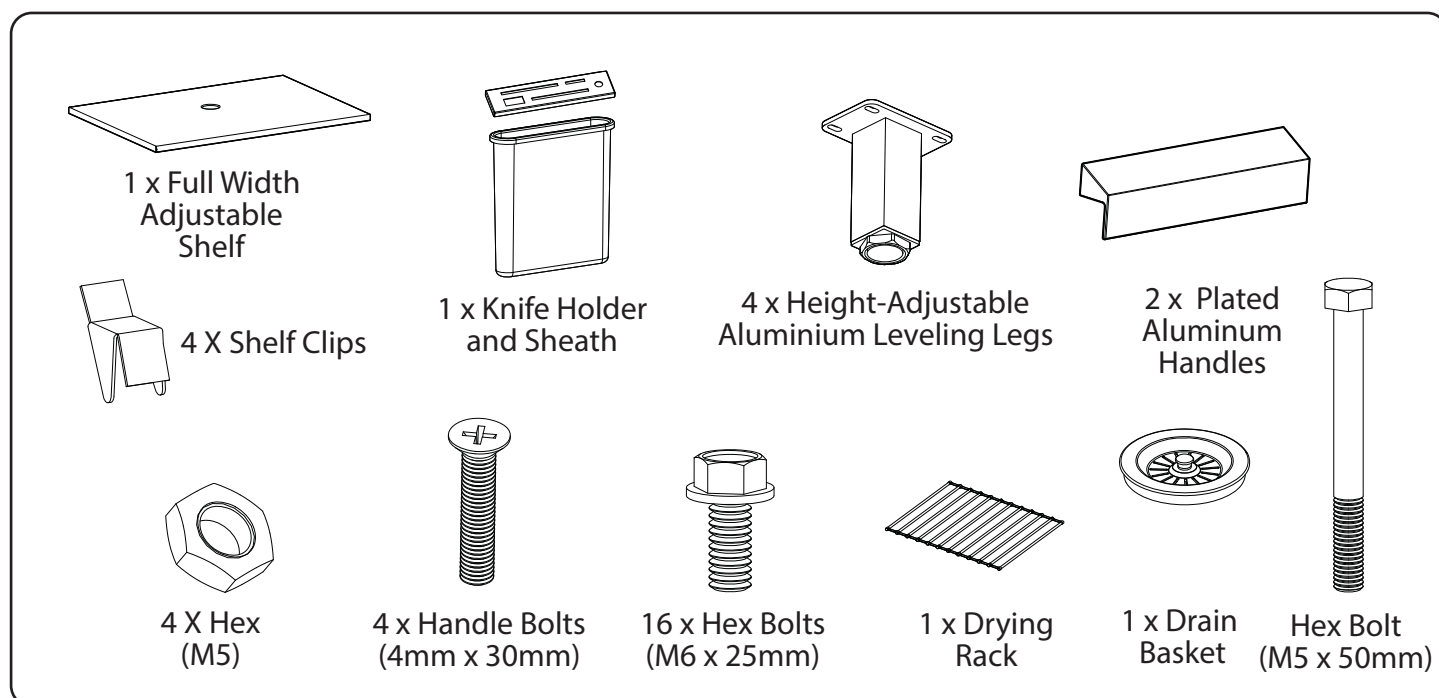


# Unpacking

- Begin by placing the package on a protected flat surface.
- Remove all cardboard, foam packaging material and clear plastic bags.
- Dispose / recycle all packaging materials.
- Verify all the contents in the box and gather the required tools. See "Parts" and "Tools Needed" in the list below.

## Parts Supplied

	<b>Sink Cabinet</b>
Height-Adjustable Aluminum Legs	<b>4</b>
Hex Bolt (M6 x 25mm)	<b>16</b>
Hex Nuts (M5)	<b>4</b>
Hex Bolt (M5 x 50mm)	<b>4</b>
Handle Bolts (M4 x 30mm)	<b>4</b>
Plated Aluminum Handles	<b>2</b>
Leg Adjustment Wrench	<b>1</b>
Adjustable Shelf	<b>1</b>
Shelf clips	<b>4</b>





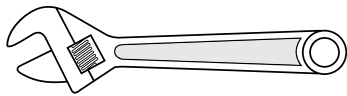
**OTHER NOTES TO CONSUMER:**

Discoloration due to the high heat, for example beside a grill, is a trait of stainless steel and is not covered. Surface rust resulting from acid rain or environmental chemicals are not covered. (Please see maintenance information to combat surface rust). NewAge outdoor powder coated finishes are designed to withstand weathering and are UV stable.

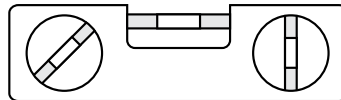
The 304 stainless steel material used in the construction of NewAge Outdoor Kitchen Cabinets is highly rust resistant, however, chlorine in the air from swimming pools or the salt from sea air may cause surface rust to appear and even create some pitting corrosion if left on the product. We strongly recommend a suitable maintenance tested product. We suggest cleaning all stainless steel surfaces at least every two weeks to keep your cabinets in prime condition. The chemical reaction from salt is easy to prevent however it is more difficult when left on the surface.

Additional product information is available at  
<http://www.newageproducts.com/outdoor-kitchen-limited-warranty>

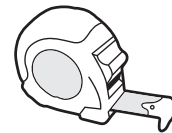
## Tools Needed



**1 x Adjustable wrench**



**1 x 24" Level**



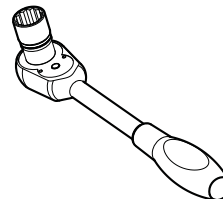
**1 x Tape Measure**



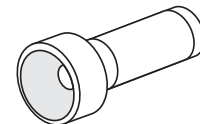
**1 x 10mm Open end wrench**



**1 x 10mm socket**



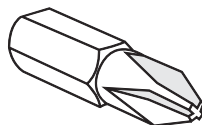
**1 x Socket wrench**



**1 x Flashlight**



**1 x #2 Phillips head screwdriver**



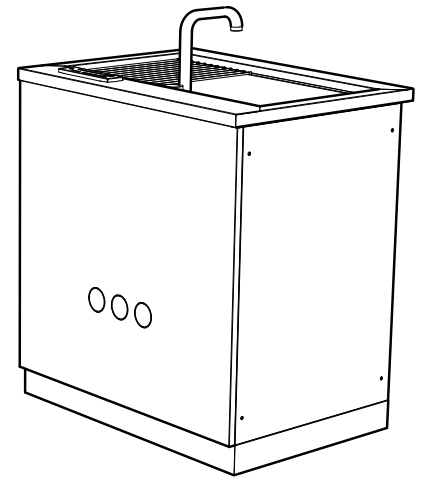
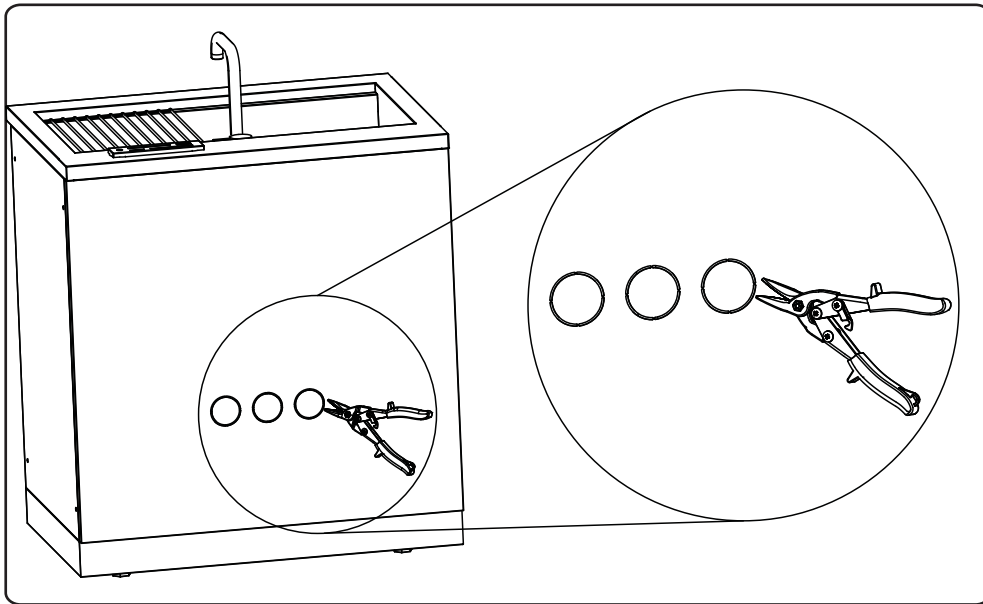
**1 x #2 Phillips Bit**



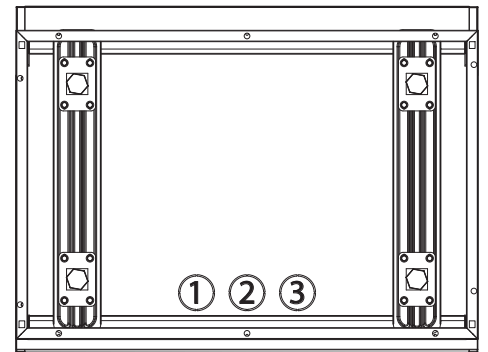
**1 x Cordless Power Drill**

# Plumbing Installation

Locate the 3 pre slotted holes in the back of the cabinet.  
Using tin snips cut small webs to release the knockouts.

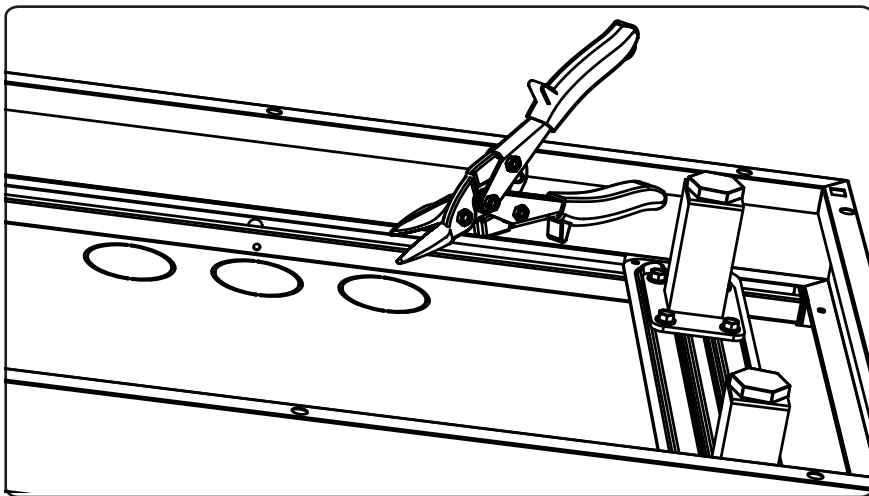


Back View of Sink Cabinet.

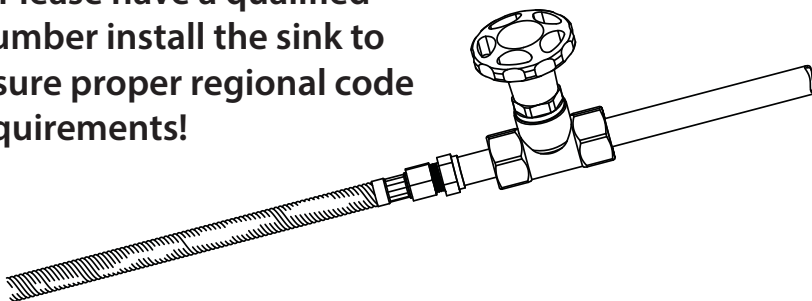


Bottom View of Sink Cabinet.

Locate the 3 pre slotted holes in the bottom  
of the cabinet.  
Using tin snips cut small webs to release the knockouts.

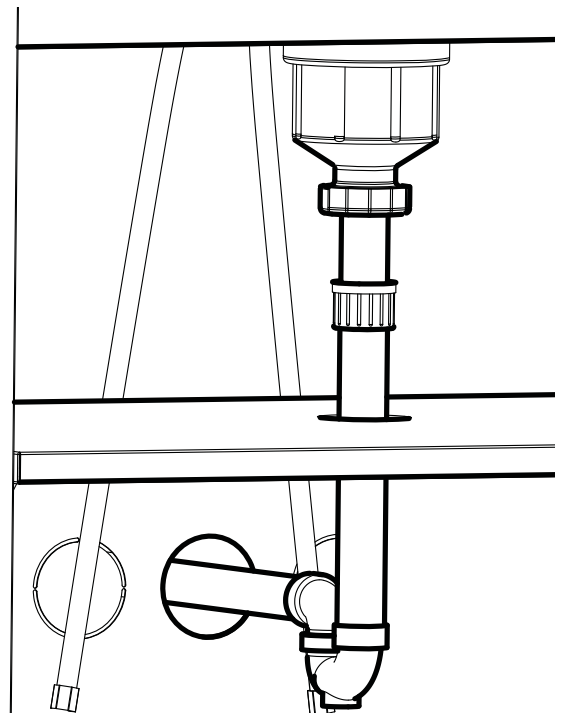


**\*\* Please have a qualified  
plumber install the sink to  
assure proper regional code  
requirements!**



Connect the braided water inlet lines hot and cold to  
the supply lines.

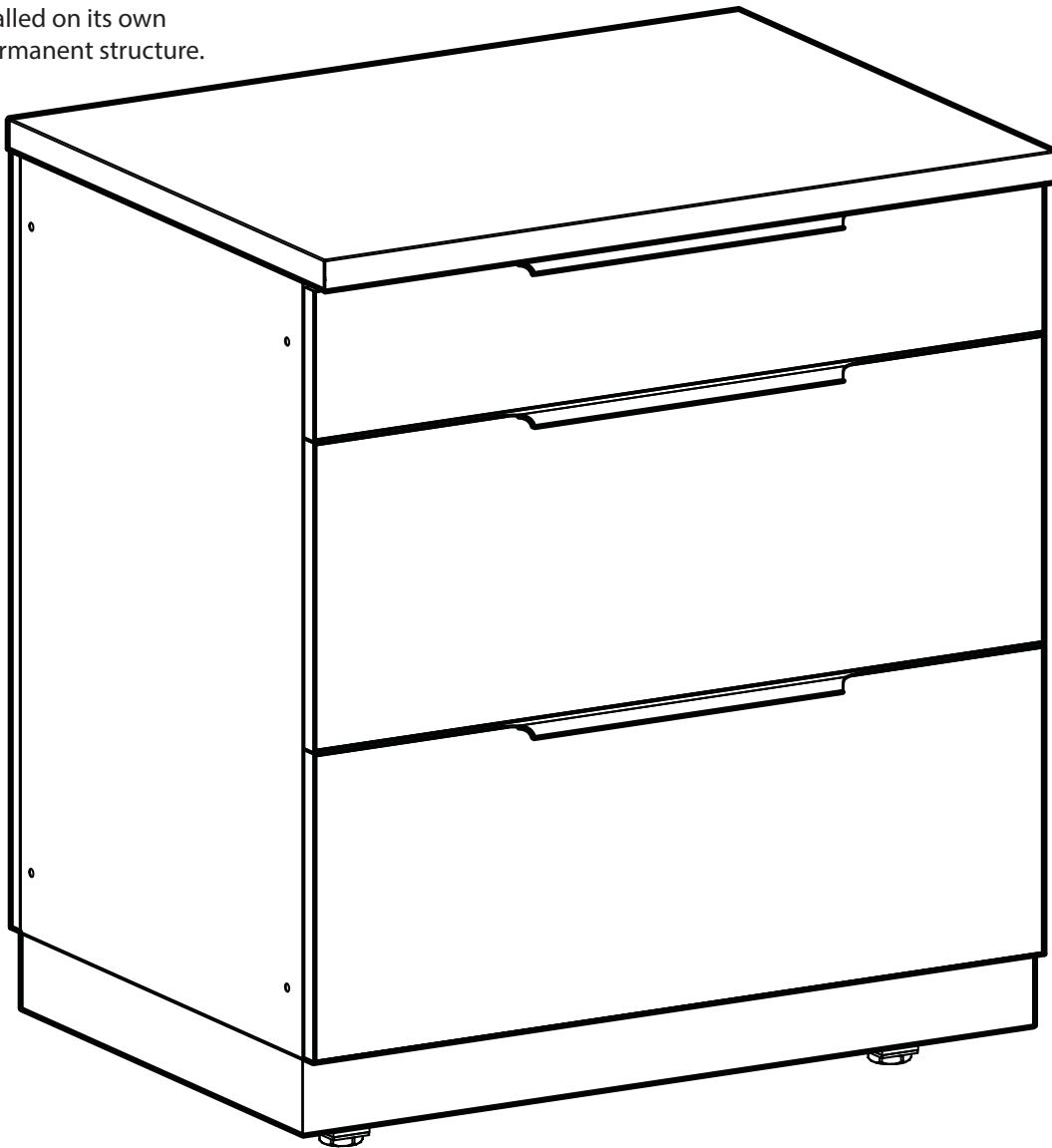
Connect the drain trap adapter to  
a p-trap and drainage tubing.





NEWAGE  
PRODUCTS INC.

Only open one drawer at a time.  
If this Cabinet is installed on its own  
please fasten to a permanent structure.



## OUTDOOR KITCHEN 32"-3 Drawer Cabinet Alum



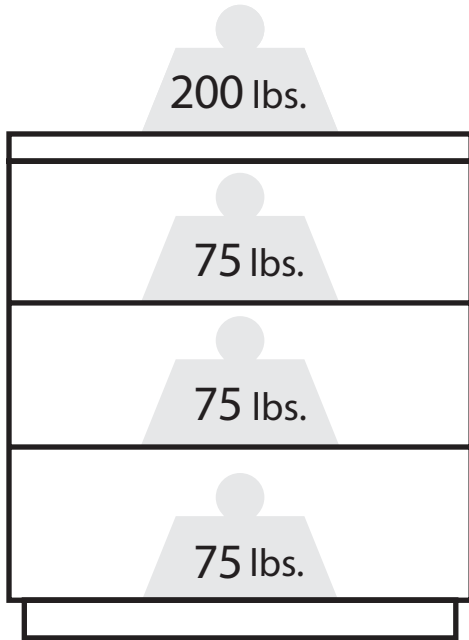
### **Warning: Excessive weight hazard!**

Use two or more people to move, assemble or install cabinets and shelves to avoid back injury.  
Do not leave children unattended near cabinets.

For assistance, call 1.877.306.8930; for UK 0800.031.4069; e-mail at [info@newageproducts.com](mailto:info@newageproducts.com)

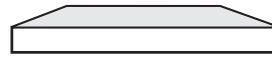
65202-INSTL-01-Rev.01

# Weight Capacity

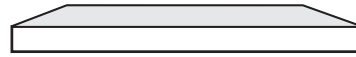


32" - 3 Drawer Cabinet  
Max 425 lbs.

# Worktops



32" Worktop, fits over 1 Cabinet.



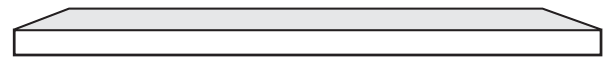
56" Worktop. Fits over 1 Cabinet & Fridge nook.



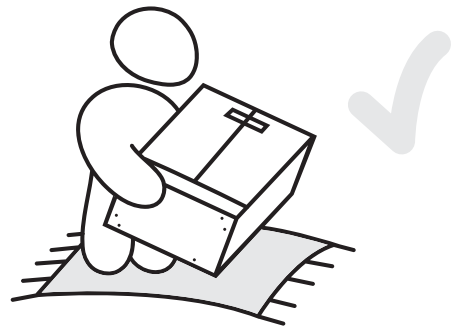
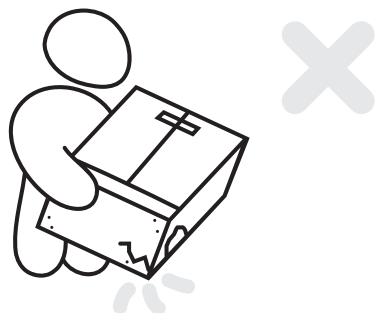
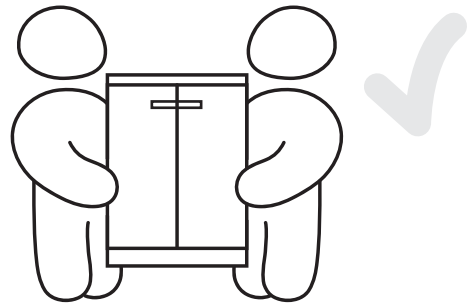
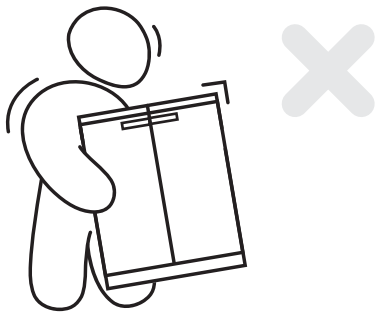
64" Worktop. Fits over 2 Cabinets



88" Worktop. Fits over 2 Cabinets & Fridge nook.



96" Worktop. Fits over 3 Cabinets

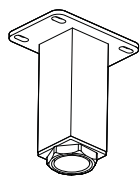


# Unpacking

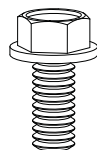
- Begin by placing the package on a protected flat surface.
- Remove all cardboard, foam packaging material and clear plastic bags.
- Dispose / recycle all packaging materials.
- Verify all the contents in the box and gather the required tools. See “Parts” and “Tools Needed” in the list below.

## Parts Supplied

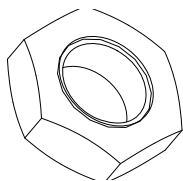
	<b>3 Drawer Cabinet</b>
Height-Adjustable Aluminum Legs	<b>4</b>
Hex Washer Bolt (M6 x 25mm)	<b>16</b>
Hex Bolt (M5 x 50mm)	<b>4</b>
Hex Nuts (M5)	<b>4</b>
Leg Adjustment Wrench	<b>1</b>



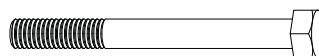
4 x Height-Adjustable  
Aluminium Leveling Legs



16 x Hex Bolts  
(M6 x 25mm)



4 x Hex Nuts



4 x Hex Bolts  
(M5 x 50mm)

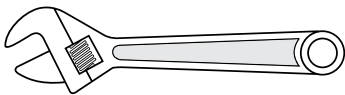
## OTHER NOTES TO CONSUMER:

Discoloration due to the high heat, for example beside a grill, is a trait of stainless steel and is not covered. Surface rust resulting from acid rain or environmental chemicals are not covered. (Please see maintenance information to combat surface rust). NewAge outdoor powder coated finishes are designed to withstand weathering and are UV stable.

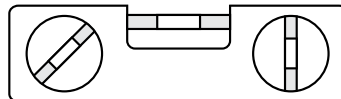
The 304 stainless steel material used in the construction of NewAge Outdoor Kitchen Cabinets is highly rust resistant, however, chlorine in the air from swimming pools or the salt from sea air may cause surface rust to appear and even create some pitting corrosion if left on the product. We strongly recommend a suitable maintenance tested product. We suggest cleaning all stainless steel surfaces at least every two weeks to keep your cabinets in prime condition. The chemical reaction from salt is easy to prevent however it is more difficult when left on the surface.

Additional product and warranty information is available at ;  
<http://www.newageproducts.com/outdoor/warranty>

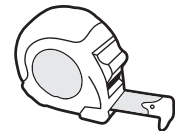
## Tools Needed



**1 x** Adjustable wrench



**1 x** 24" Level



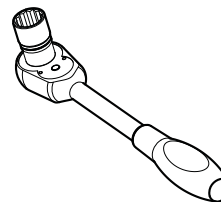
**1 x** Tape Measure



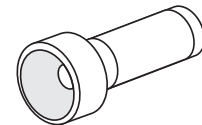
**1 x** 7/16" Open end wrench



**1 x** 7/16" socket



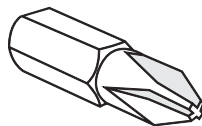
**1 x** Socket wrench



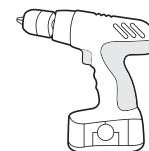
**1 x** Flashlight



**1 x** #2 Phillips head  
screwdriver



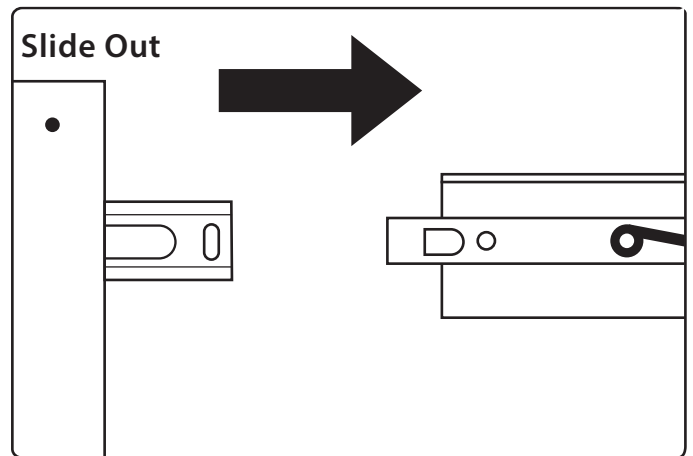
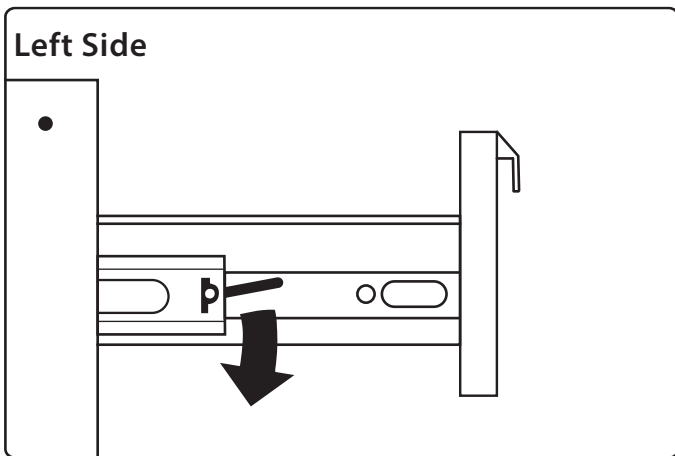
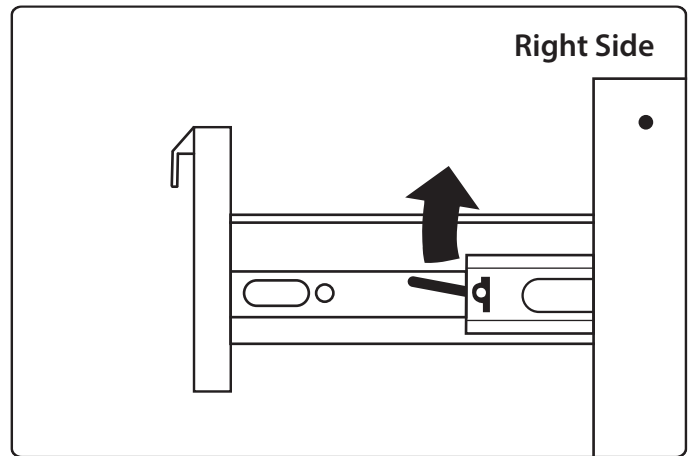
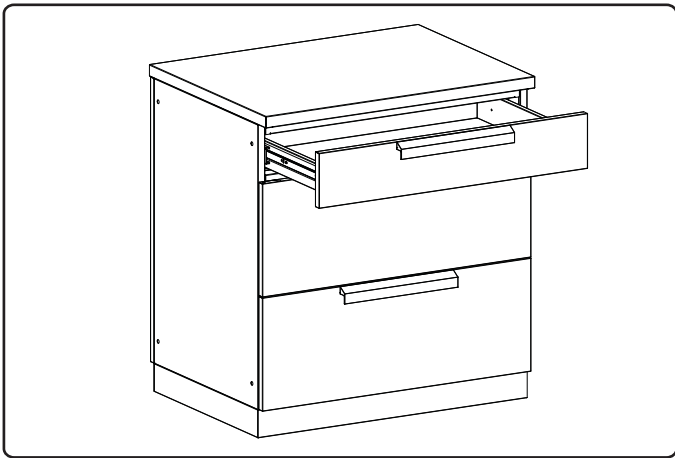
**1 x** #2 Phillips Bit



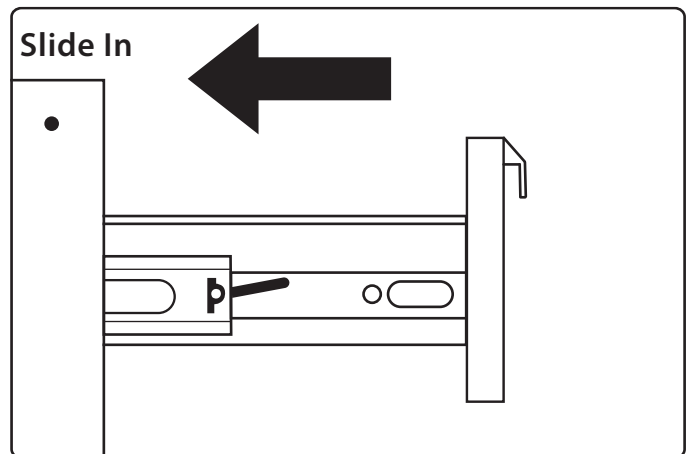
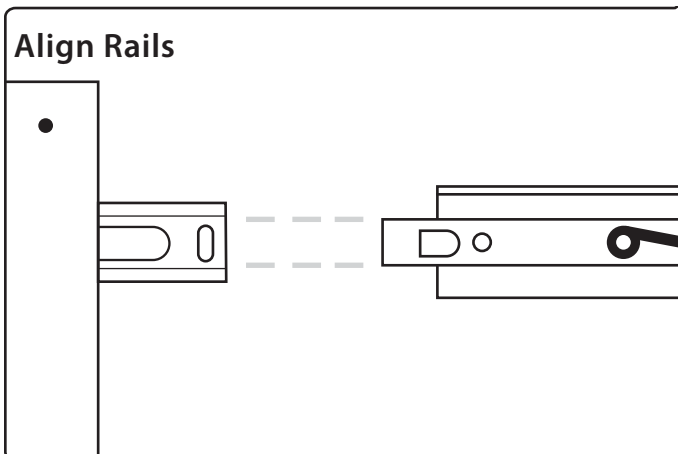
**1 x** Cordless Power Drill

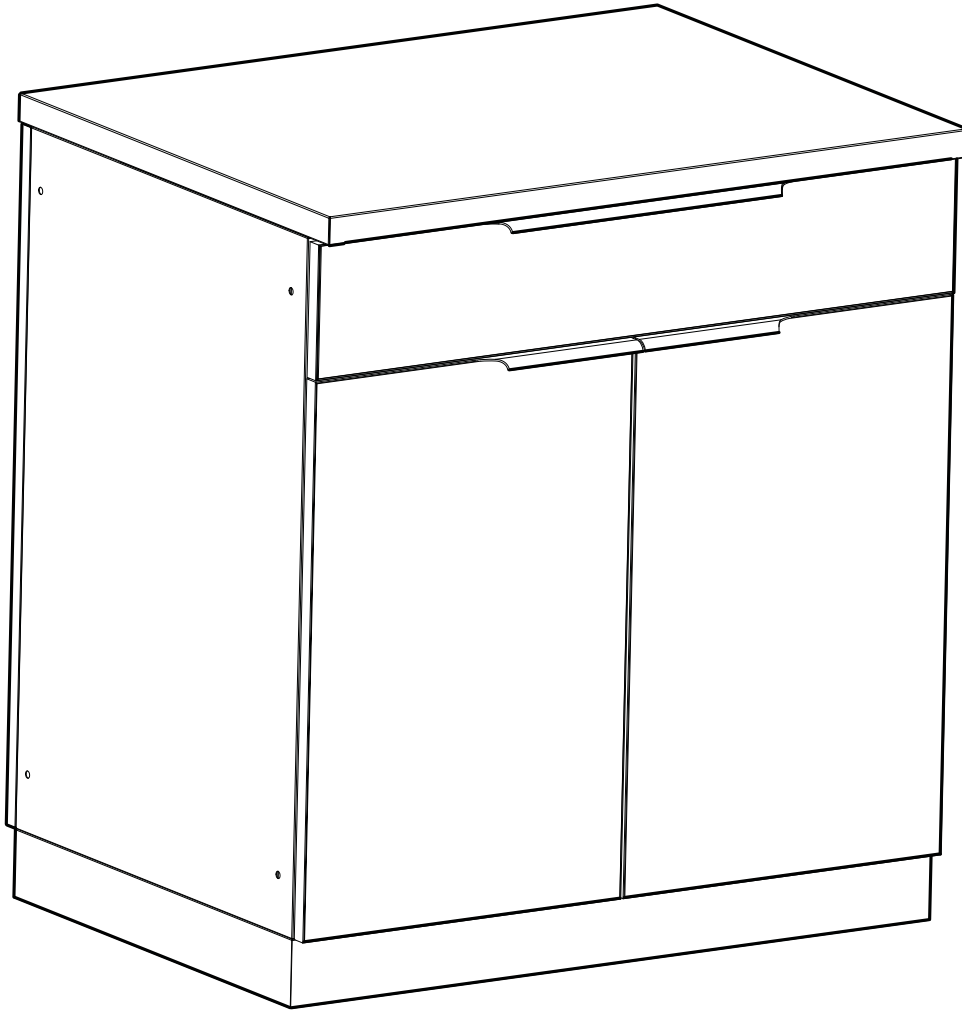
# Installing the Drawers

## Removing Drawers.



## Inserting Drawers.





## OUTDOOR KITCHEN 32" Bar Aluminum

---



### **Warning: Excessive weight hazard!**

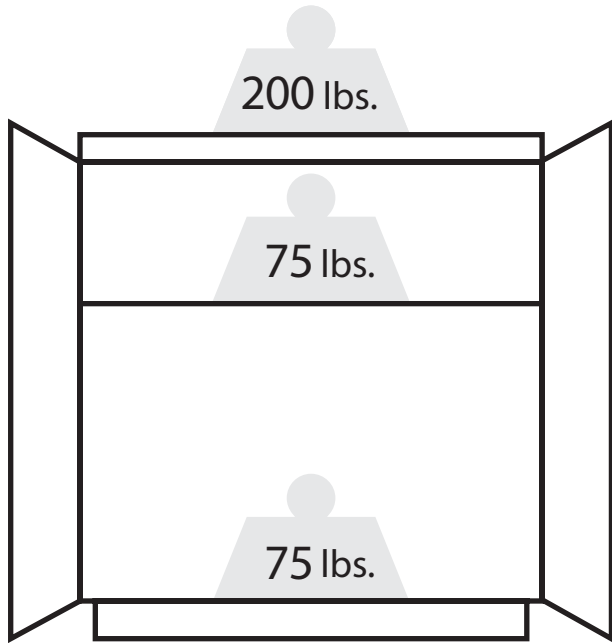
Use two or more people to move, assemble or install cabinets and shelves to avoid back injury.  
Do not leave children unattended near cabinets.

For assistance, call 1.877.306.8930; for UK 0800.031.4069; e-mail at [info@newageproducts.com](mailto:info@newageproducts.com)

65203-INSTL-01-Rev.01

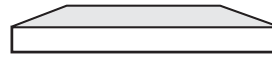


# Weight Capacity

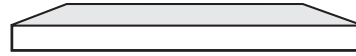


32" - SS Bar Cabinet  
Max 350 lbs.

# Worktops



32" Worktop. Fits over 1 Cabinet



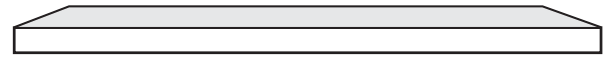
56" Worktop. Fits over 1 Cabinet & Fridge nook.



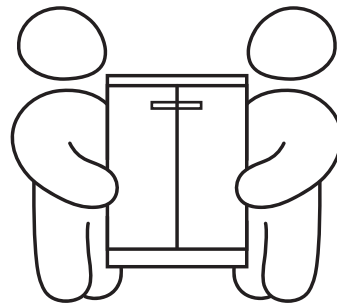
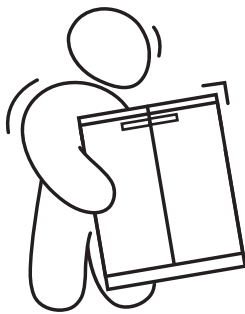
64" Worktop. Fits over 2 Cabinets



88" Worktop. Fits over 2 Cabinets & Fridge nook.



96" Worktop. Fits over 3 Cabinets

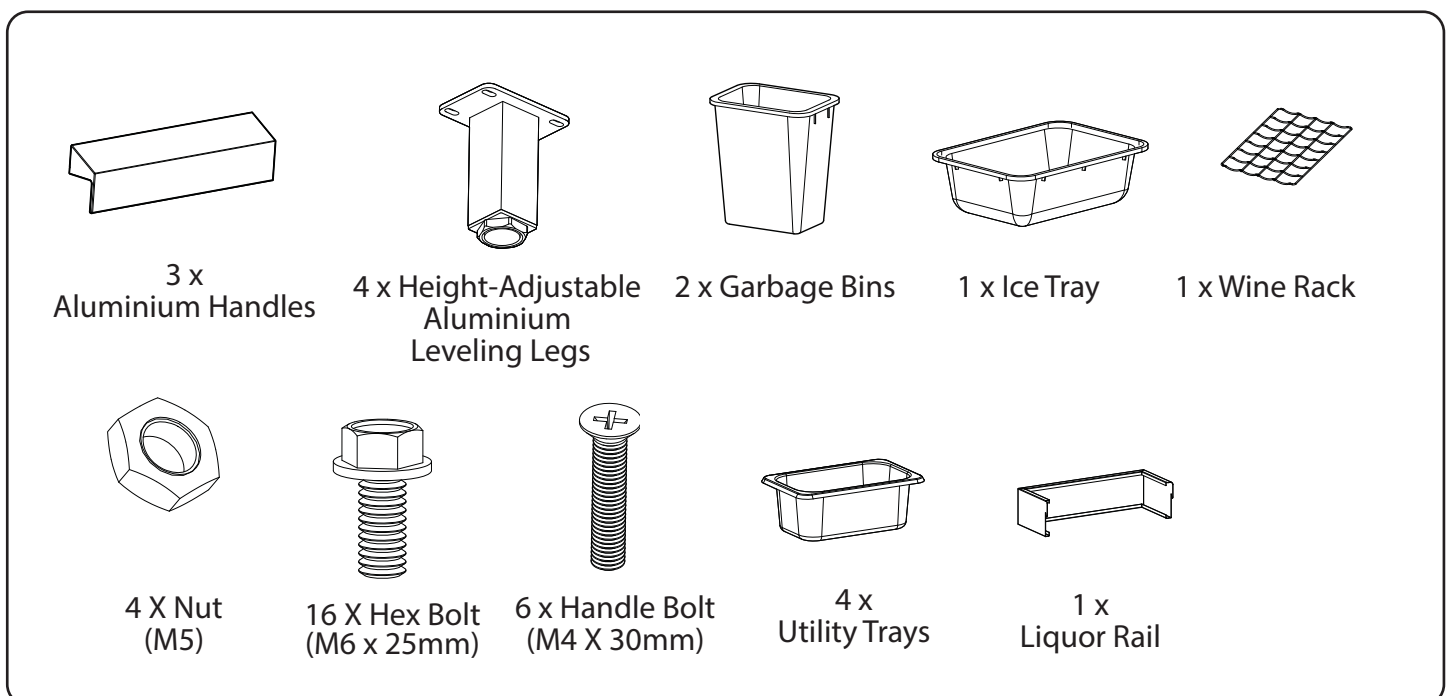


# Unpacking

- Begin by placing the package on a protected flat surface.
- Remove all cardboard, foam packaging material and clear plastic bags.
- Dispose / recycle all packaging materials.
- Verify all the contents in the box and gather the required tools. See “Parts” and “Tools Needed” in the list below.

## Parts Supplied

	<b>Bar Cabinet</b>
Height-Adjustable Aluminum Legs	<b>4</b>
Hex Bolt ( M6 X 25MM)	<b>16</b>
Hex Bolt ( M5 x 50mm)	<b>4</b>
Hex Nuts (M5)	<b>4</b>
Lock Washer (M6)	<b>16</b>
Washer (M6)	<b>16</b>
Handle Bolts (M4 x 30mm)	<b>6</b>
Aluminum Plated Handles	<b>3</b>
Leg Adjustment Wrench	<b>1</b>



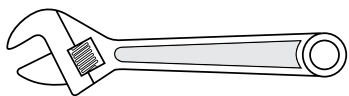
**OTHER NOTES TO CONSUMER:**

Discoloration due to the high heat, for example beside a grill, is a trait of stainless steel and is not covered. Surface rust resulting from acid rain or environmental chemicals are not covered. (Please see maintenance information to combat surface rust). NewAge outdoor powder coated finishes are designed to withstand weathering and are UV stable.

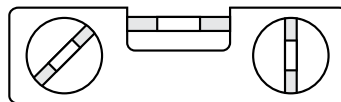
The 304 stainless steel material used in the construction of NewAge Outdoor Kitchen Cabinets is highly rust resistant, however, chlorine in the air from swimming pools or the salt from sea air may cause surface rust to appear and even create some pitting corrosion if left on the product. We strongly recommend a suitable maintenance tested product. We suggest cleaning all stainless steel surfaces at least every two weeks to keep your cabinets in prime condition. The chemical reaction from salt is easy to prevent however it is more difficult when left on the surface.

Additional product information is available at  
<http://www.newageproducts.com/outdoor-kitchen-limited-warranty>

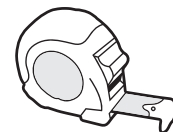
## Tools Needed



**1 x Adjustable wrench**



**1 x 24" Level**



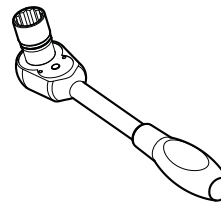
**1 x Tape Measure**



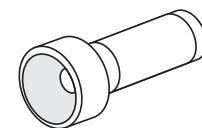
**1 x 7/16" Open end wrench**



**1 x 7/16" socket**



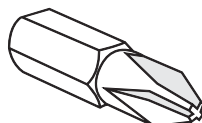
**1 x Socket wrench**



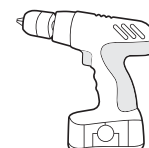
**1 x Flashlight**



**1 x #2 Phillips head  
screwdriver**



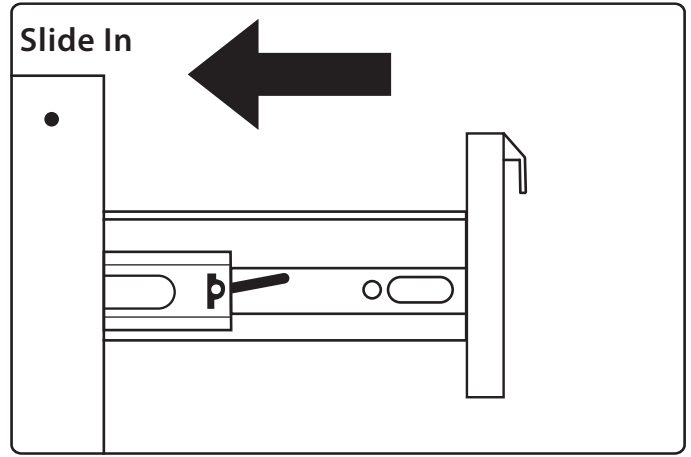
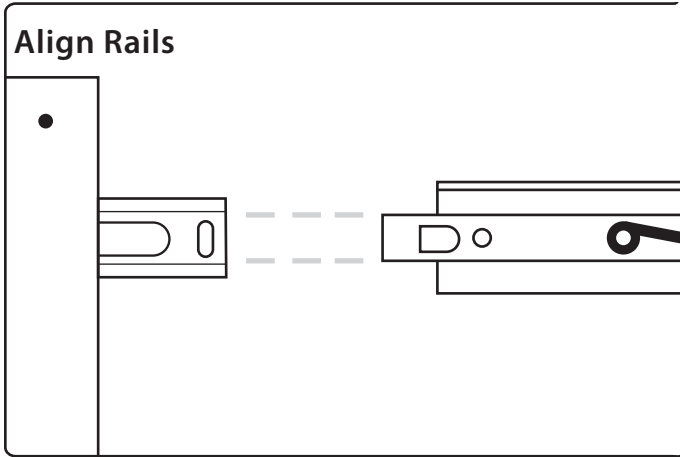
**1 x #2 Phillips Bit**



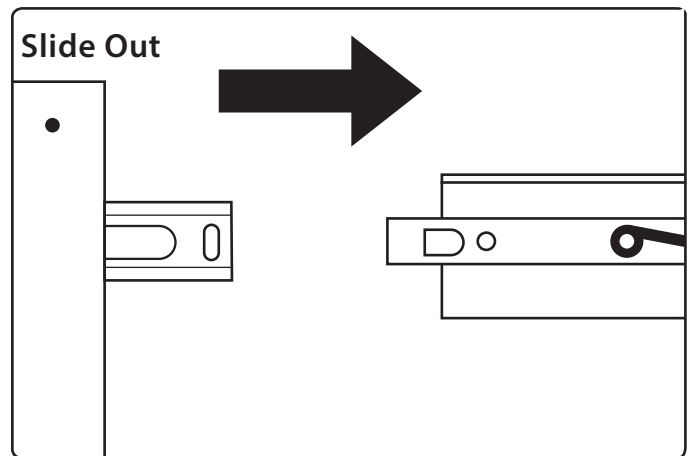
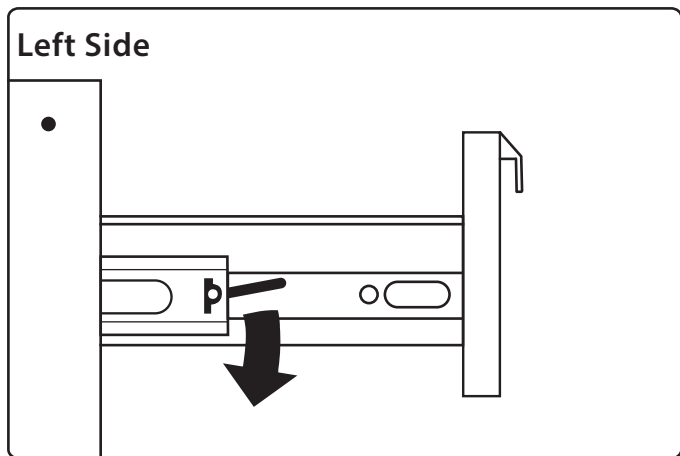
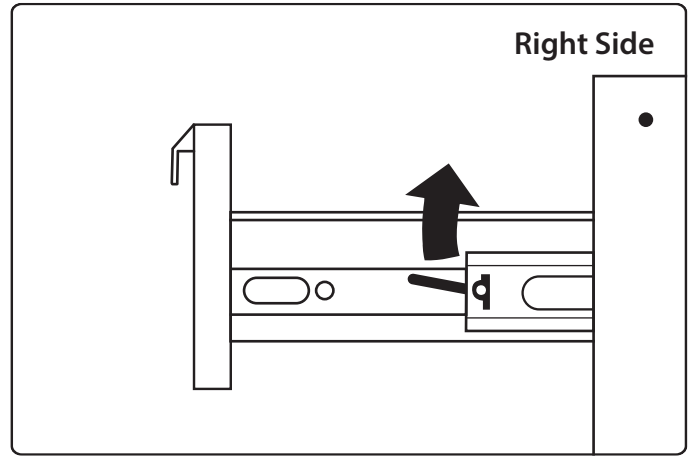
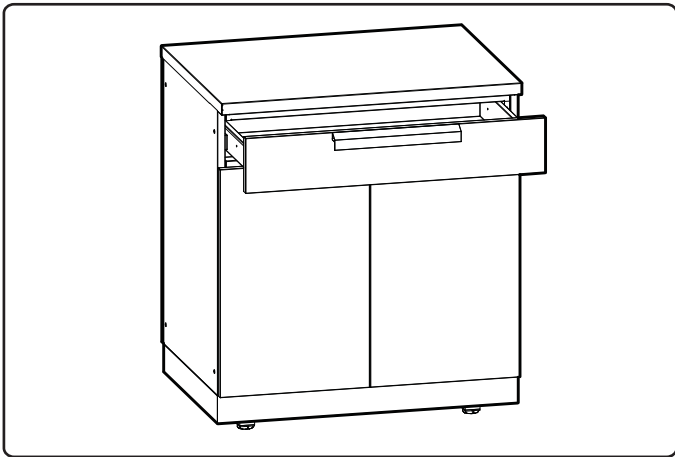
**1 x Cordless Power Drill**

# Installing the Drawer

## Inserting Drawer.

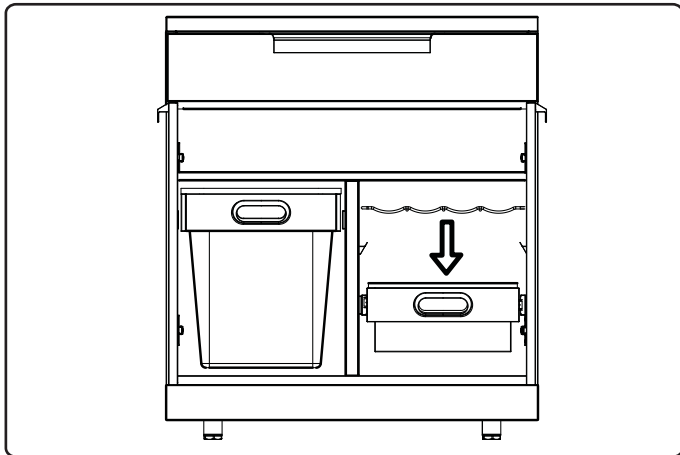


## Removing Drawers.

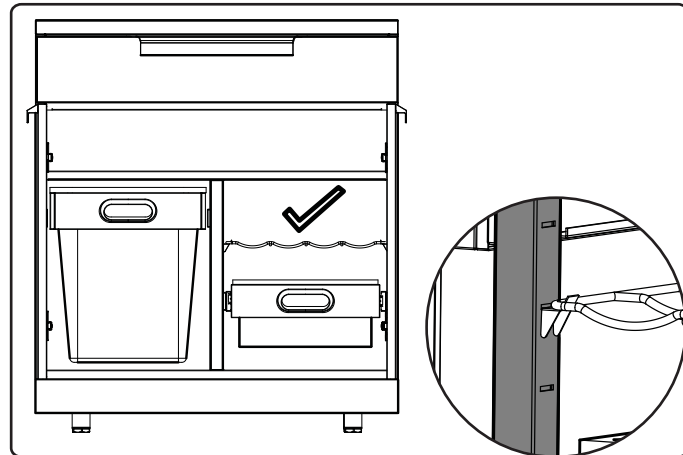


# Wine Rack, Ice Tray and Garbage Bin Installation

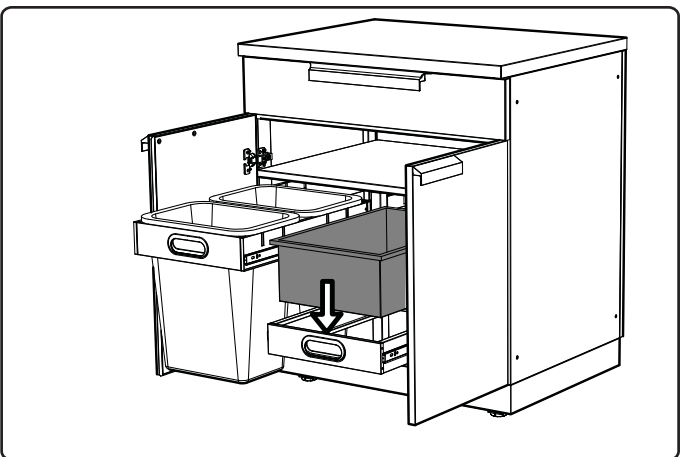
- 1** Open Doors. Set rack clips in the desired slot locations on the upright posts.



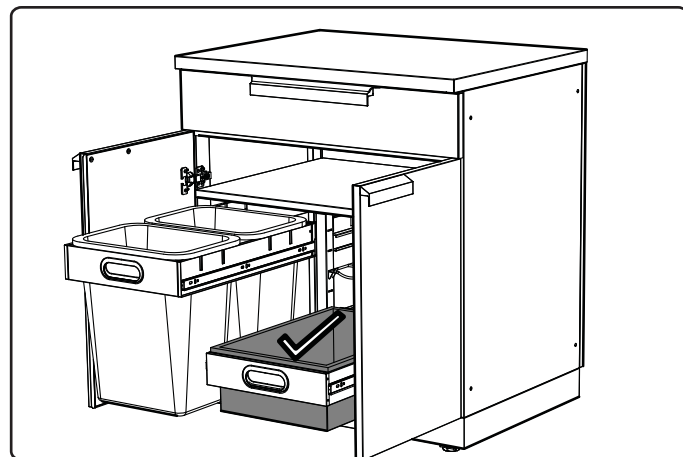
- 2** Set rack on top of 4 clips at the same level height. Store beverage bottles.



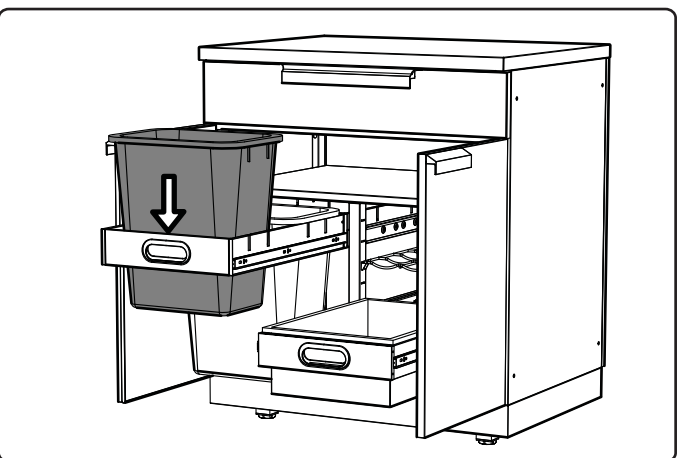
- 3** Remove and install beverage chilling tray with formed metal edge.



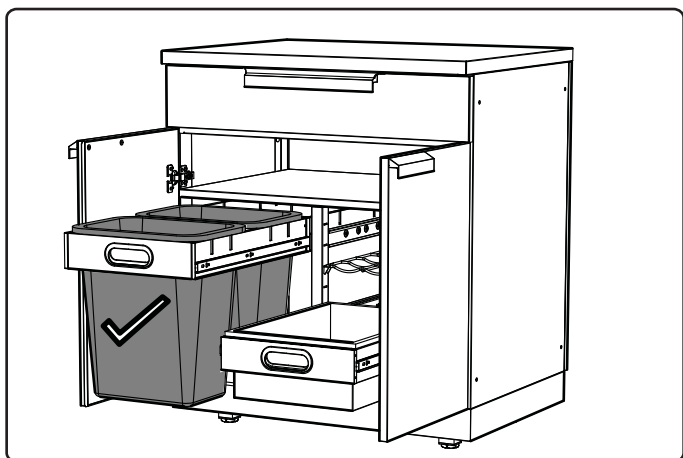
- 4** Slide beverage chilling tray into/out of pullout frame. Push in frame to dock.

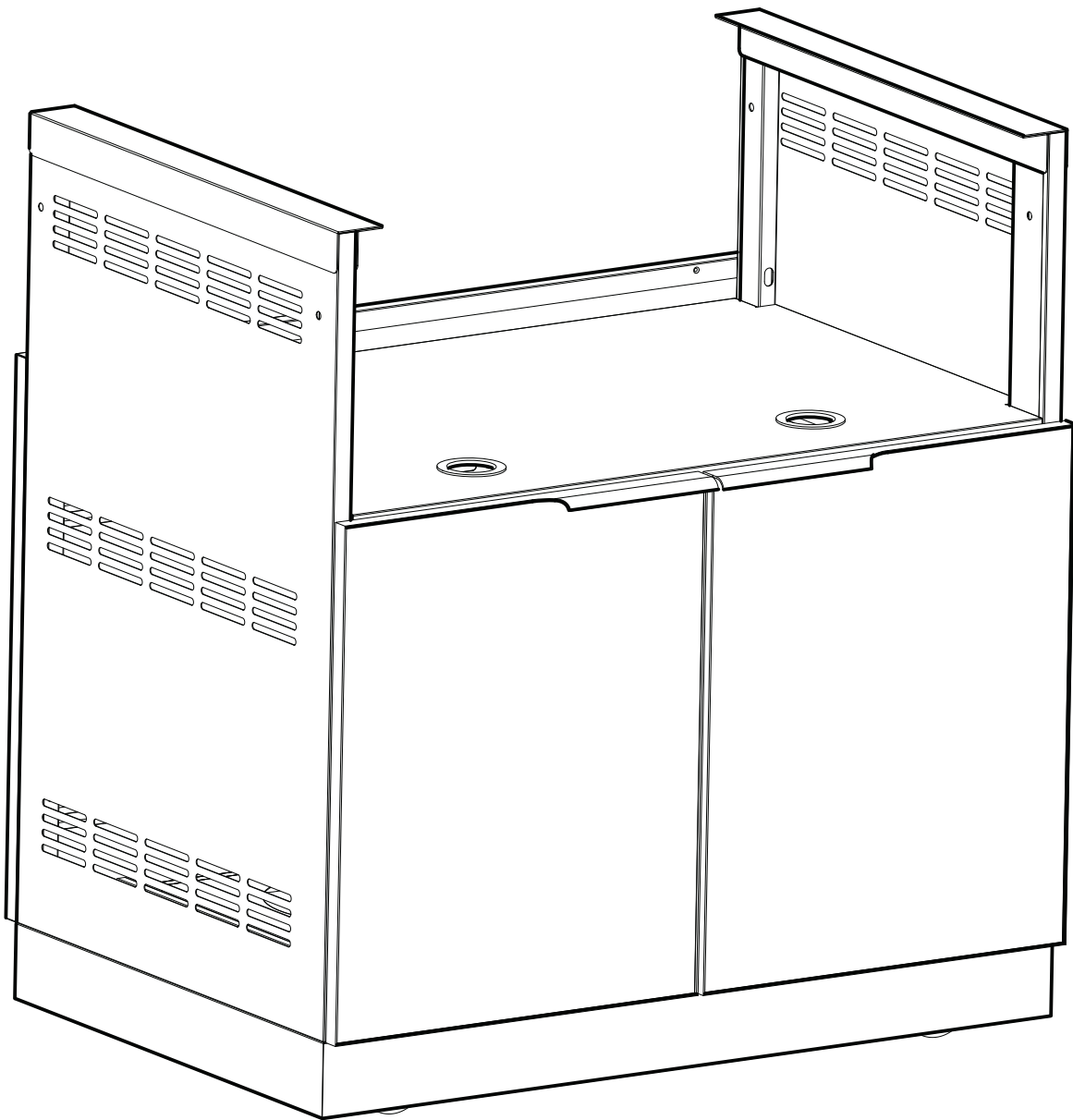


- 5** Remove and install Garbage bins



- 6** Slide Garbage bins into/out of pullout frame. Push in frame to dock.





## OUTDOOR KITCHEN 33"BBQ Cabinet Aluminum

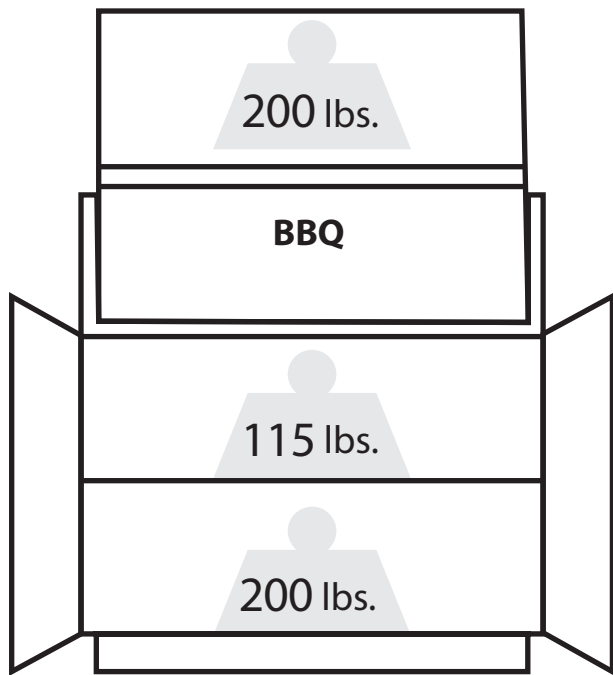


### **Warning: Excessive weight hazard!**

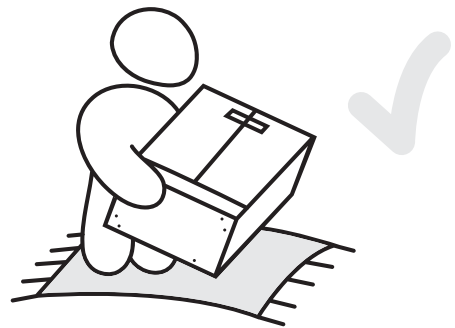
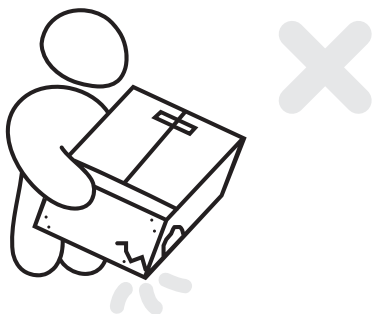
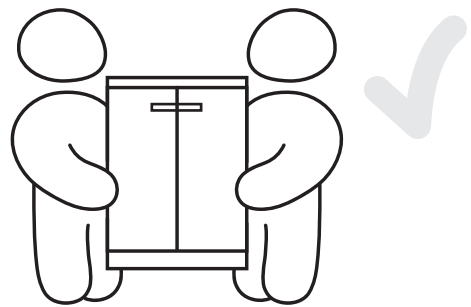
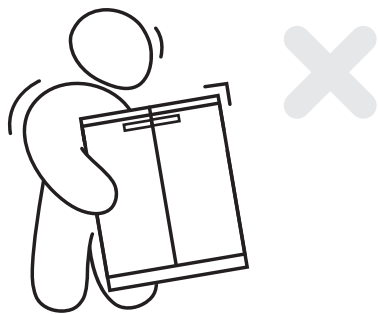
Use two or more people to move, assemble or install cabinets and shelves to avoid back injury.  
Do not leave children unattended near cabinets.

For assistance, call 1.877.306.8930; for UK 0800.031.4069; e-mail at [info@newageproducts.com](mailto:info@newageproducts.com)

# Weight Capacity



33" - BBQ Aluminum  
Max 515 lbs.

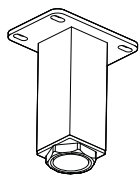


# Unpacking

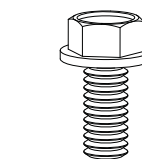
- Begin by placing the package on a protected flat surface.
- Remove all cardboard, foam packaging material and clear plastic bags.
- Dispose / recycle all packaging materials.
- Verify all the contents in the box and gather the required tools. See "Parts" and "Tools Needed" in the list below.

## Parts Supplied

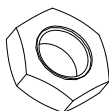
	<b>BBQ Cabinet</b>
Height-Adjustable Aluminum Legs	<b>4</b>
Hex Bolt ( M6 x 25mm)	<b>16</b>
Hex Nuts (M5)	<b>4</b>
Hex Bolt (M5 x 50mm)	<b>4</b>
Leg Adjustment Wrench	<b>1</b>



4 x Height-Adjustable  
Aluminium Leveling Legs

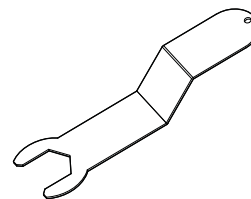


4 X Hex Bolts  
(M6 x 25mm)



4 X Hex Nuts  
(M5)

4 X Hex Bolt  
(M5 x 50mm")



Leg Height  
Wrench



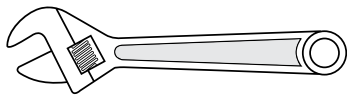
**OTHER NOTES TO CONSUMER:**

Discoloration due to the high heat, for example beside a grill, is a trait of stainless steel and is not covered. Surface rust resulting from acid rain or environmental chemicals are not covered. (Please see maintenance information to combat surface rust). NewAge outdoor powder coated finishes are designed to withstand weathering and are UV stable.

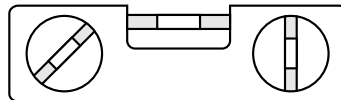
The 304 stainless steel material used in the construction of NewAge Outdoor Kitchen Cabinets is highly rust resistant, however, chlorine in the air from swimming pools or the salt from sea air may cause surface rust to appear and even create some pitting corrosion if left on the product. We strongly recommend a suitable maintenance tested product. We suggest cleaning all stainless steel surfaces at least every two weeks to keep your cabinets in prime condition. The chemical reaction from salt is easy to prevent however it is more difficult when left on the surface.

Additional product information is available at  
<http://www.newageproducts.com/outdoor-kitchen-limited-warranty>

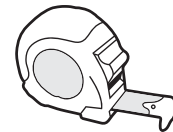
# Tools Needed



**1 x Adjustable wrench**



**1 x 24" Level**



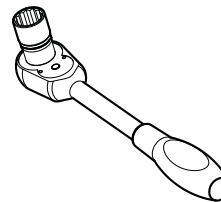
**1 x Tape Measure**



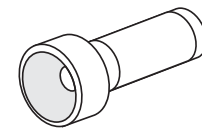
**1 x 10 mm Open end wrench**



**1 x 10mm socket**



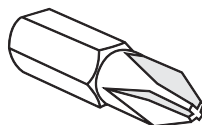
**1 x Socket wrench**



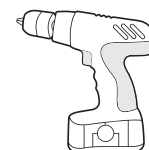
**1 x Flashlight**



**1 x #2 Phillips head screwdriver**



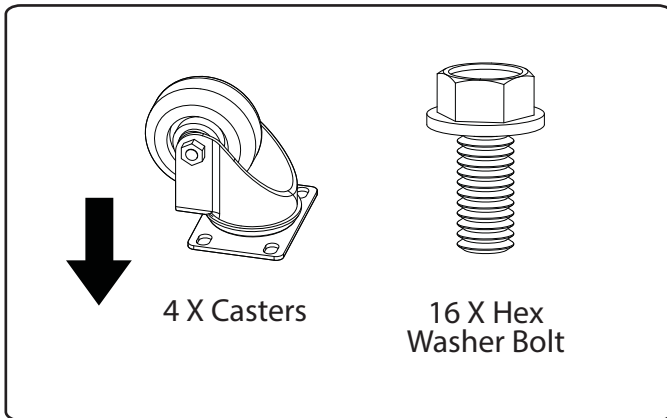
**1 x #2 Phillips Bit**



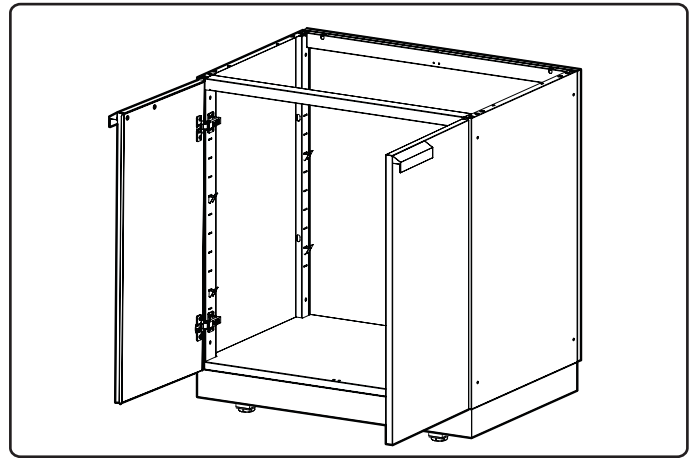
**1 x Cordless Power Drill**

# Installing the Casters

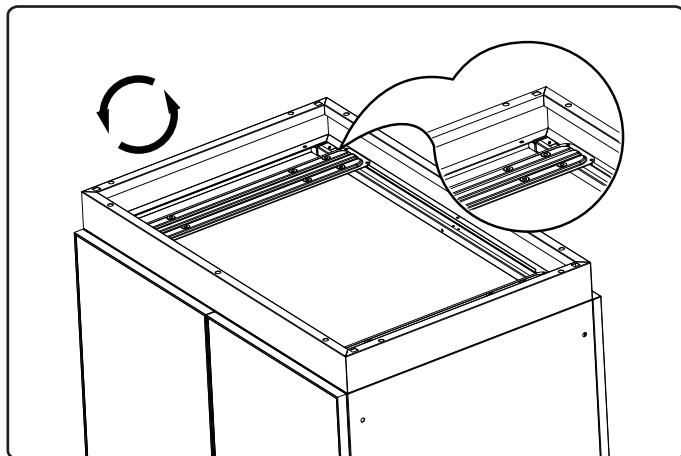
## **i** Parts Needed.



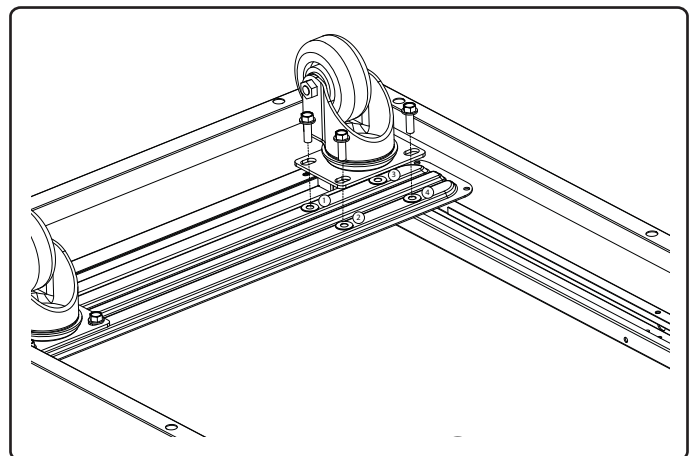
## **1** Open cabinet, remove any shelves or loose items.



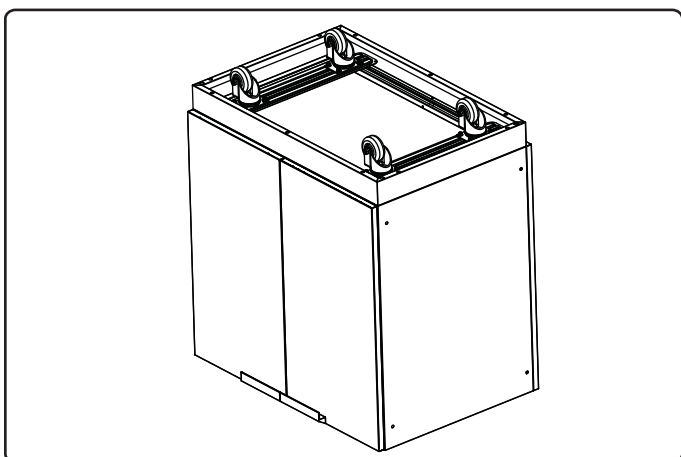
## **2** Flip cabinet upside down on protected surface and locate holes on crossbeam.



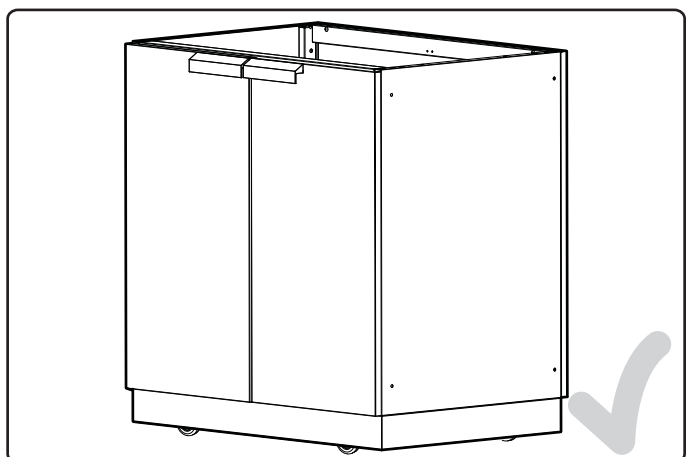
## **3** Align caster with holes on crossbeam. Tighten in Hex bolts.



## **4** Repeat step 3 to install all casters

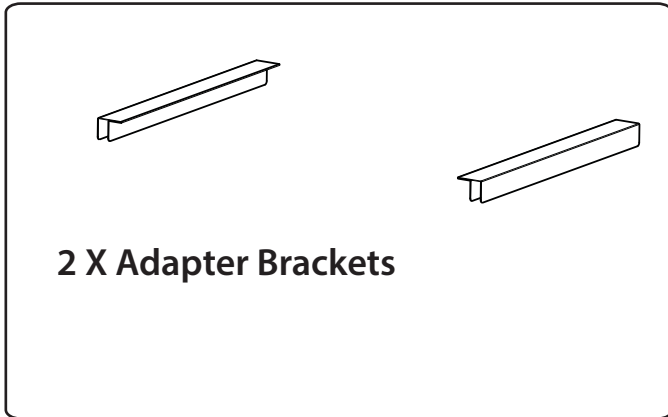


## **5** Stand cabinet upright.

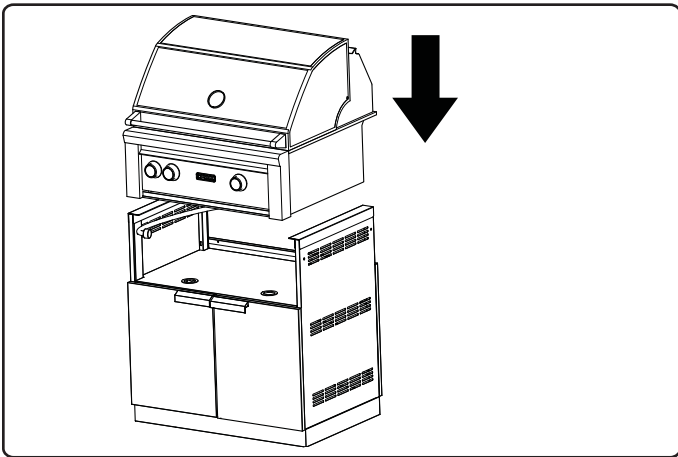


# Installing the BBQ

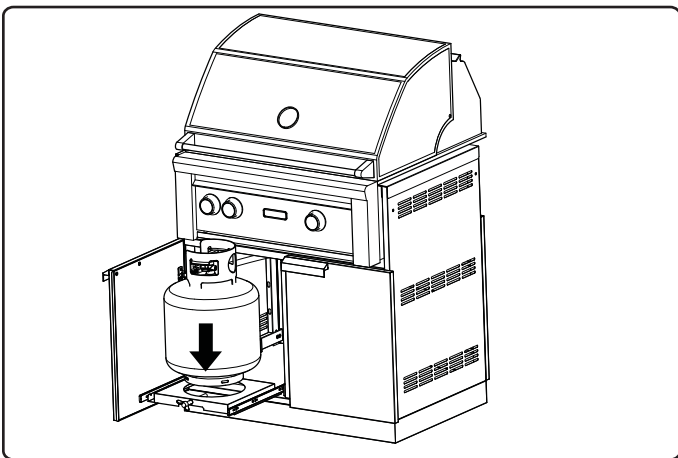
## **i** Parts Needed.



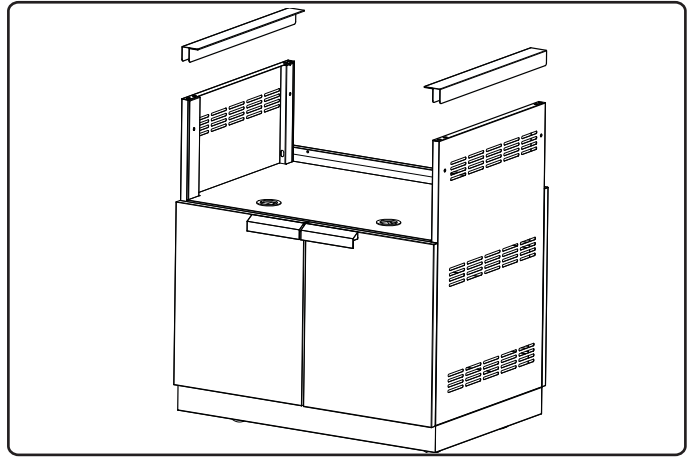
## **2** Place BBQ so that the rails touch the Brackets



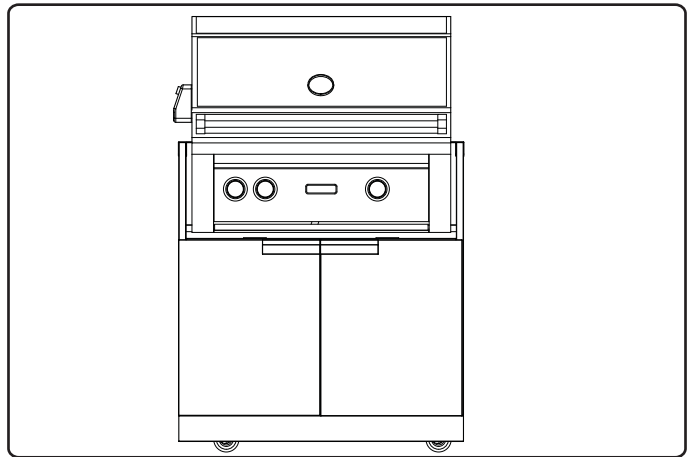
## **4** Place the propane tank in the ring of the tank tray. Rotate tank until bottom slot aligns with wingnut bolt.



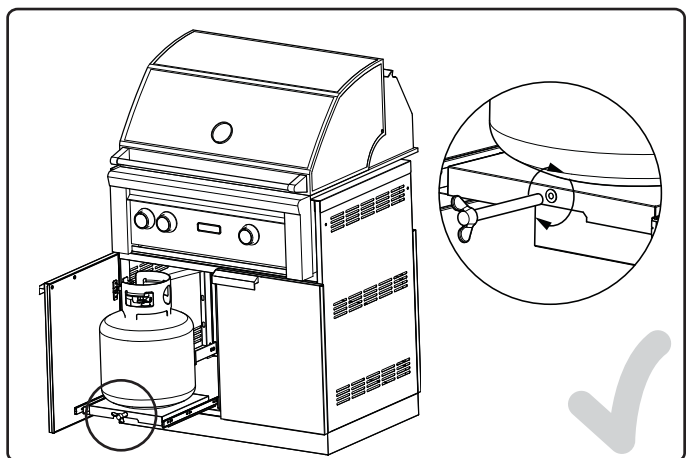
## **1** You may or may not need the adapter brackets depending on the model BBQ you choose

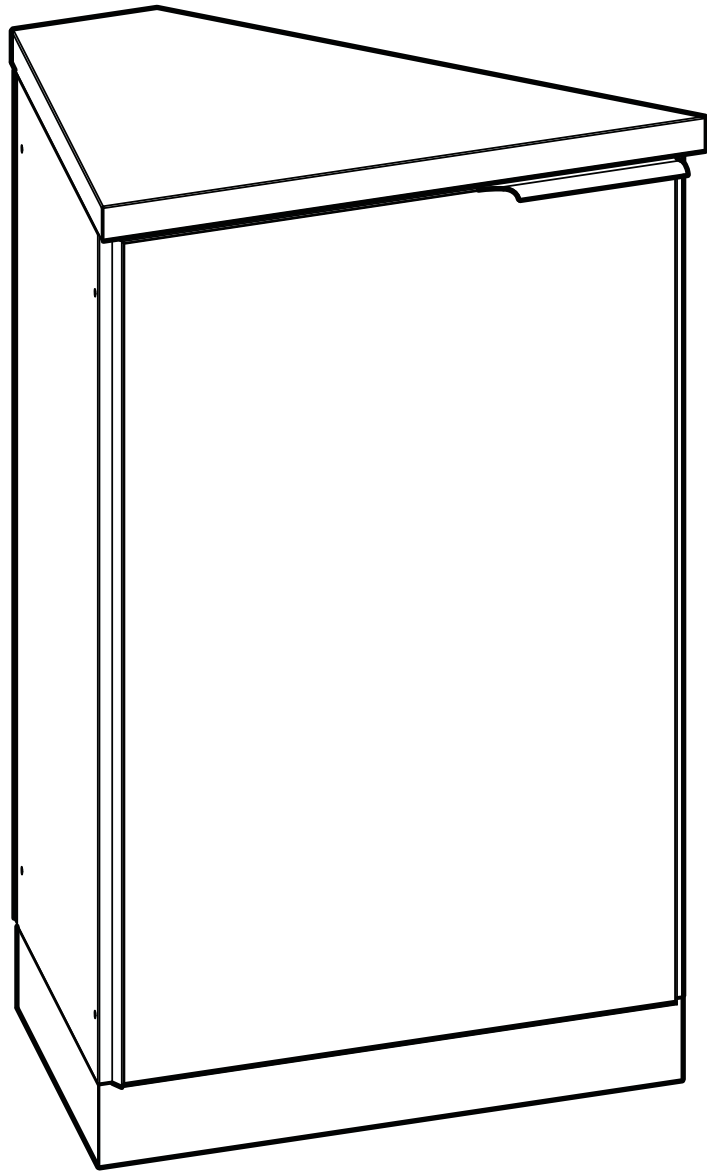


## **3** Once the BBQ is centered on the Cart lift up edges of BBQ and Dab a little silicone on the rails to hold it in place



## **5** Turn Wing nut bolt until it is seated in tank slot at bottom of tank.





\*Rear View Shown

## OUTDOOR KITCHEN 45° Cabinet Alum

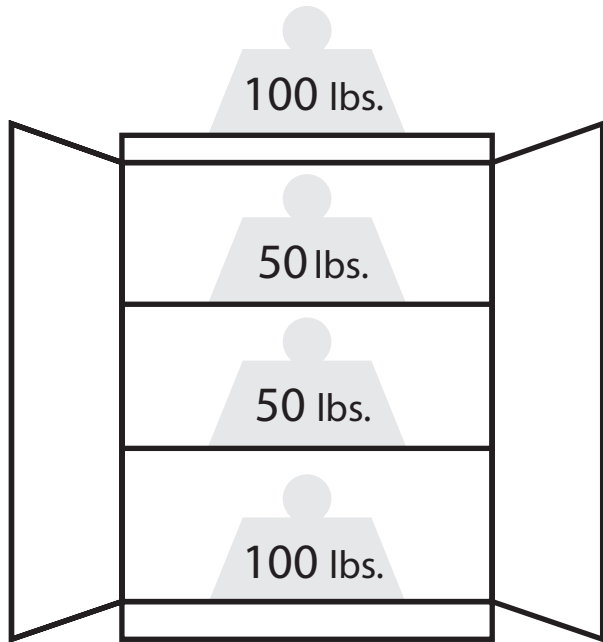


### **Warning: Excessive weight hazard!**

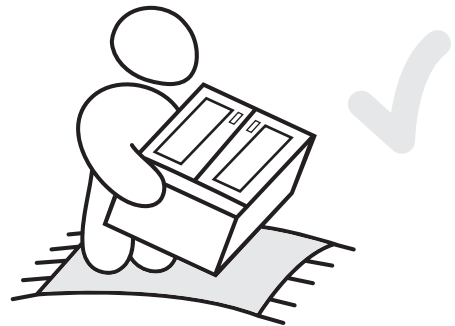
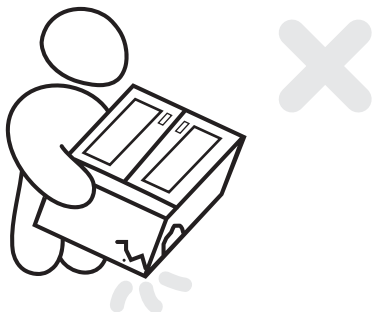
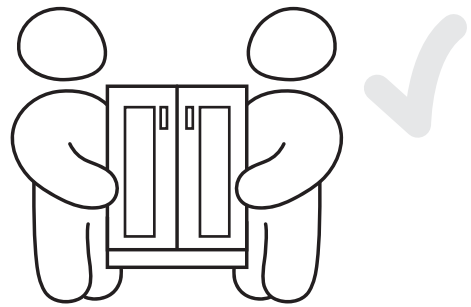
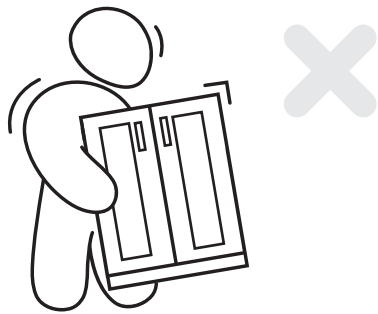
Use two or more people to move, assemble or install cabinets and shelves to avoid back injury.  
Do not leave children unattended near cabinets.

For assistance, call 1.877.306.8930; for UK 0800.031.4069; e-mail at [info@newageproducts.com](mailto:info@newageproducts.com)

# Weight Capacity



45° Cabinet  
Max 300 lbs.

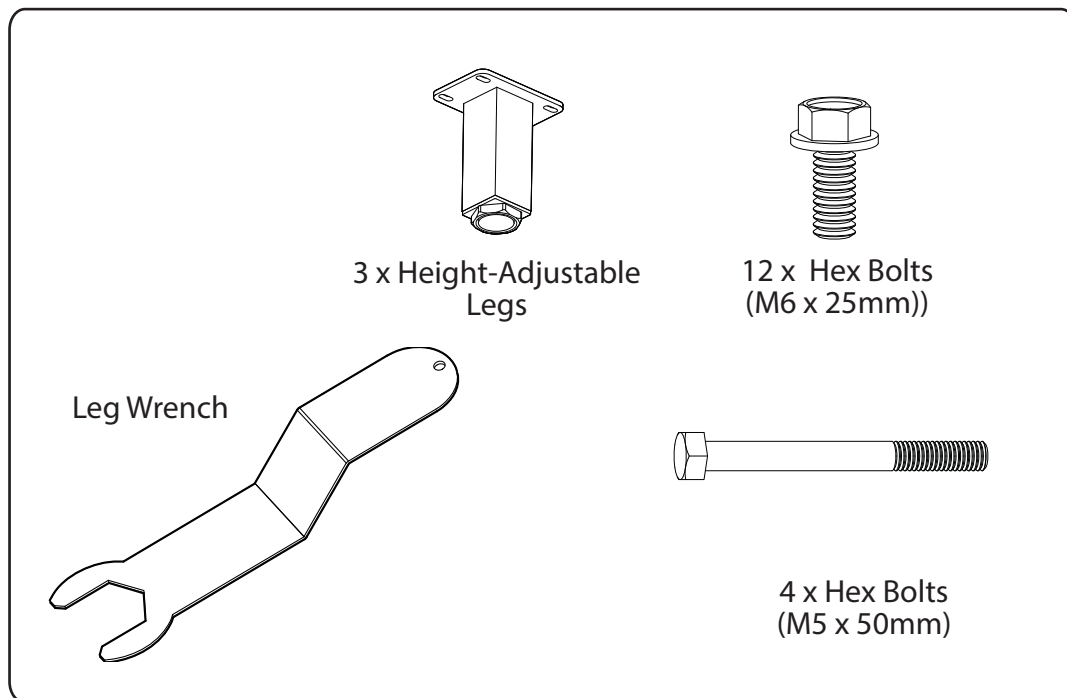


# Unpacking

- Begin by placing the package on a protected flat surface.
- Remove all cardboard, foam packaging material and clear plastic bags.
- Dispose / recycle all packaging materials.
- Verify all the contents in the box and gather the required tools. See “Parts” and “Tools Needed” in the list below.

## Parts Supplied

	<b>45° Cabinet</b>
Height-Adjustable Aluminum Legs	<b>3</b>
Hex Bolt (M6 x25mm)	<b>12</b>
Hex Bolt (M5 x 50mm)	<b>4</b>
Leg Adjustment Wrench	<b>1</b>



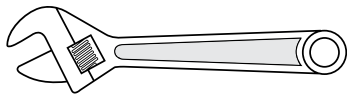
**OTHER NOTES TO CONSUMER:**

Discoloration due to the high heat, for example beside a grill, is a trait of stainless steel and is not covered. Surface rust resulting from acid rain or environmental chemicals are not covered. (Please see maintenance information to combat surface rust). NewAge outdoor powder coated finishes are designed to withstand weathering and are UV stable.

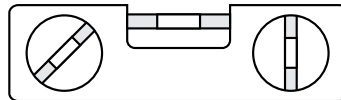
The 304 stainless steel material used in the construction of NewAge Outdoor Kitchen Cabinets is highly rust resistant, however, chlorine in the air from swimming pools or the salt from sea air may cause surface rust to appear and even create some pitting corrosion if left on the product. We strongly recommend a suitable maintenance tested product. We suggest cleaning all stainless steel surfaces at least every two weeks to keep your cabinets in prime condition. The chemical reaction from salt is easy to prevent however it is more difficult when left on the surface.

Additional product information is available at  
<http://www.newageproducts.com/outdoor-kitchen-limited-warranty>

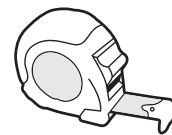
# Tools Needed



**1 x Adjustable wrench**



**1 x 24" Level**



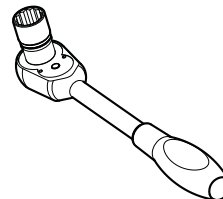
**1 x Tape Measure**



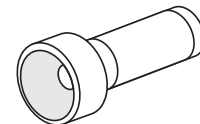
**1 x 10 mm Open end wrench**



**1 x 10mm socket**



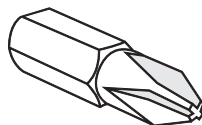
**1 x Socket wrench**



**1 x Flashlight**



**1 x #2 Phillips head screwdriver**



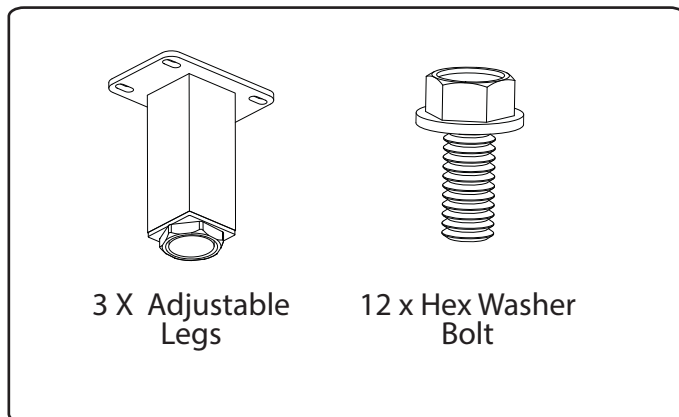
**1 x #2 Phillips Bit**



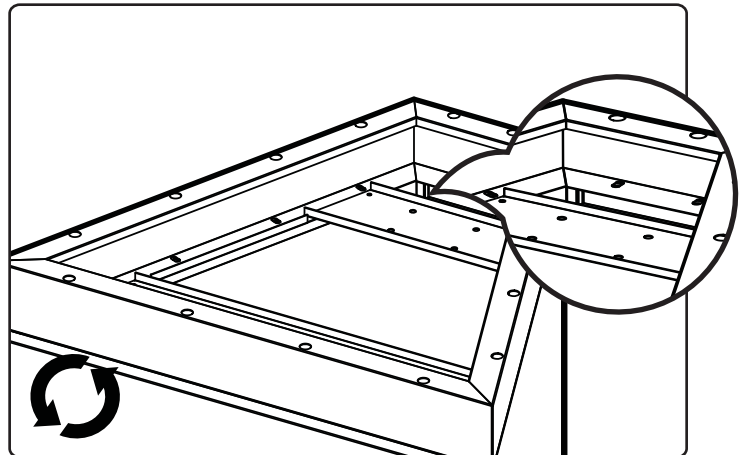
**1 x Cordless Power Drill**

# Installing the Legs

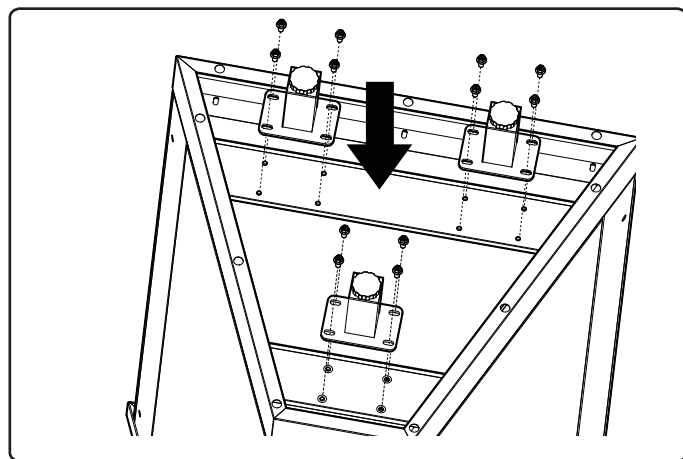
## **i** Parts Needed.



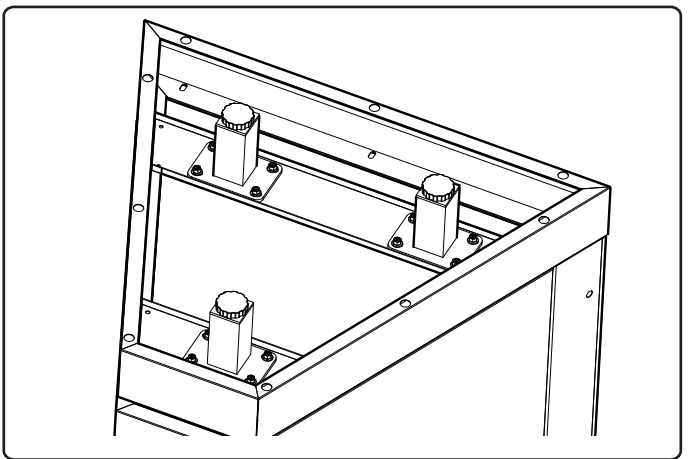
## **1** Flip cabinet upside down, locate holes on crossbeam.



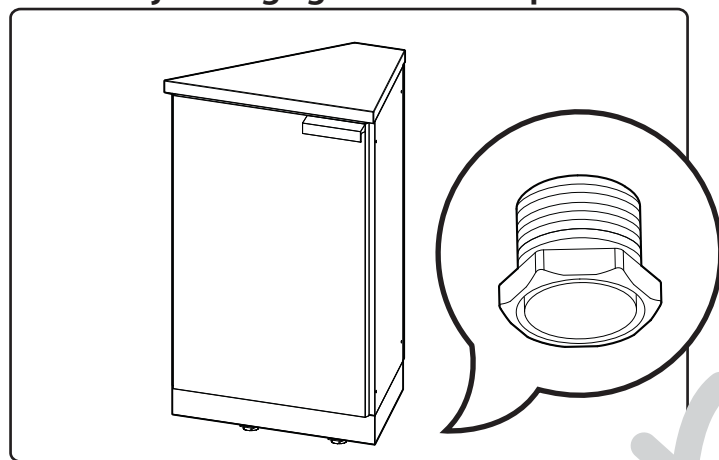
## **2** Align Leg with holes on crossbeam. Tighten 4 Hex bolts with washer and lock washer.



## **3** Repeat step 2 for each leg.



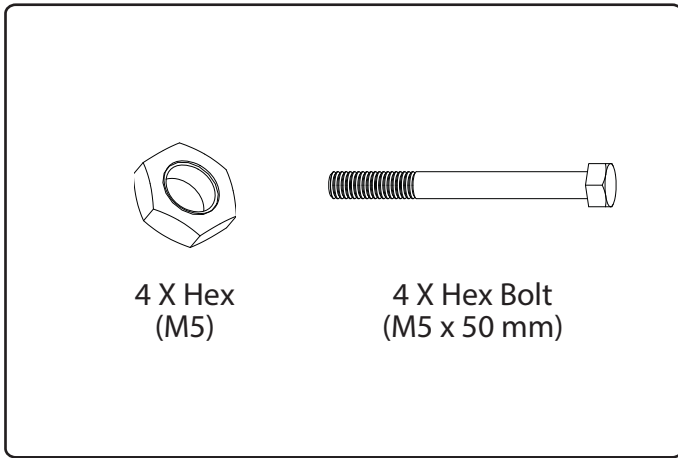
## **4** Stand cabinet upright. To level and adjust Legs go to next step.



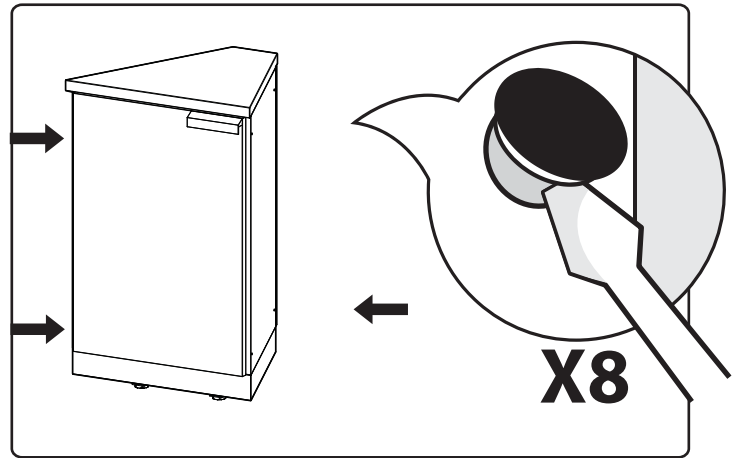


# Fastening Cabinets

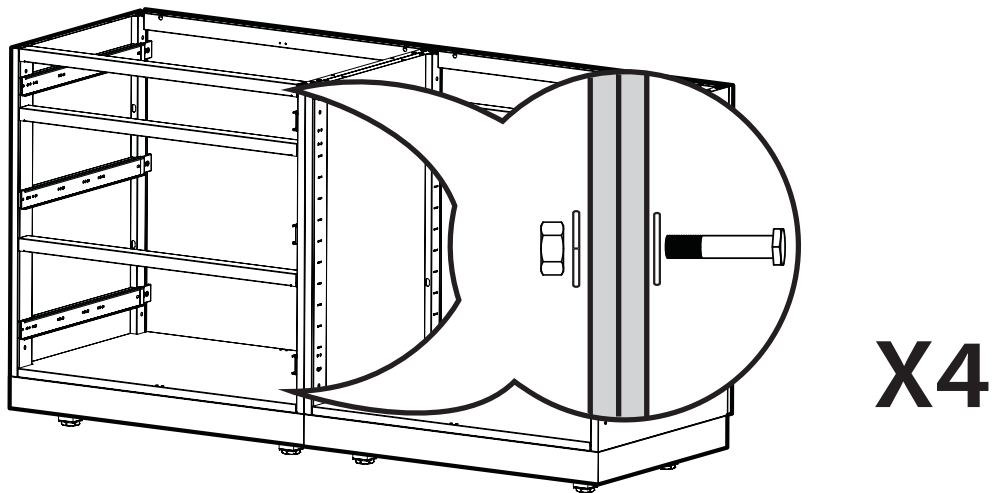
## 1 Parts Needed.



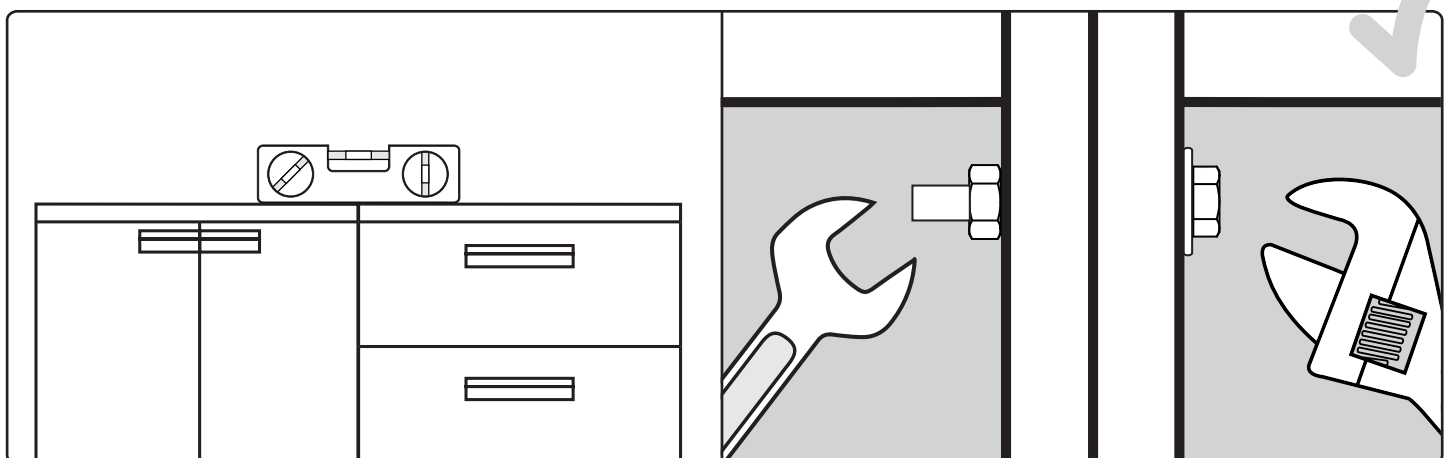
## 2 Remove plastic caps from cabinets.

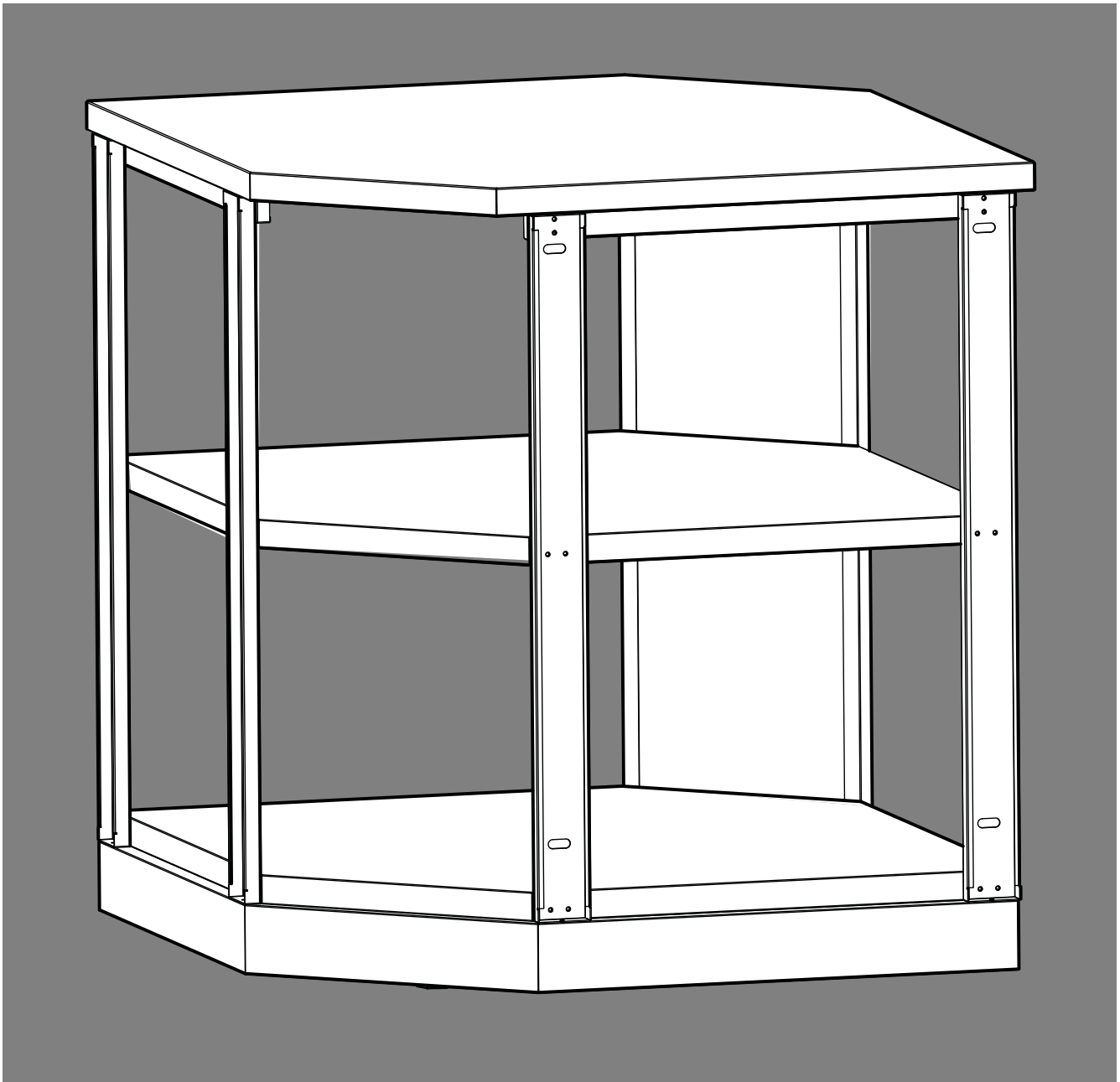


## 3 Align bolts, tighten lightly.



## 4 Level cabinets and tighten all bolts.





## OUTDOOR KITCHEN 90° Corner Shelf Aluminum



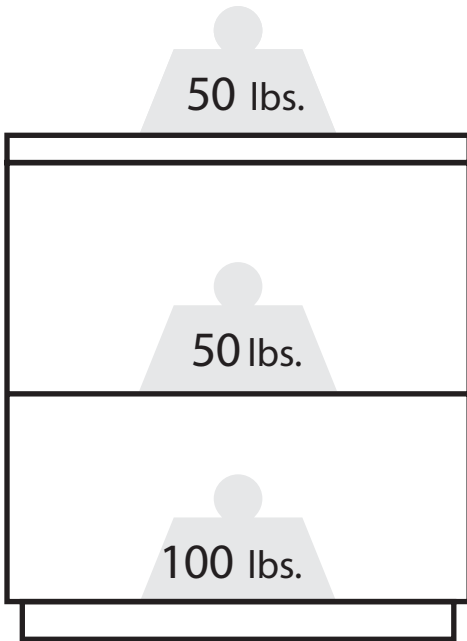
### **Warning: Excessive weight hazard!**

Use two or more people to move, assemble or install shelves to avoid back injury.

Do not leave children unattended near cabinets.

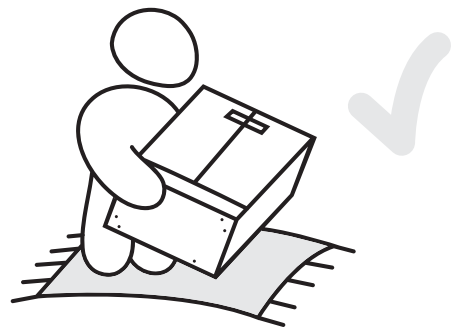
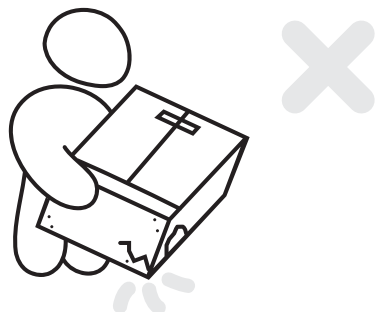
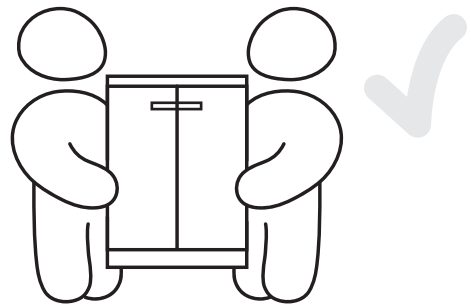
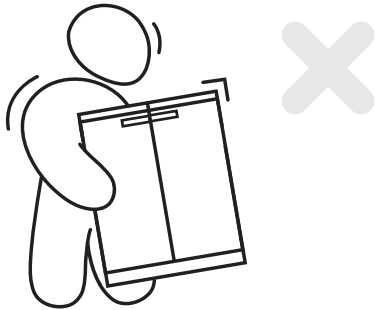
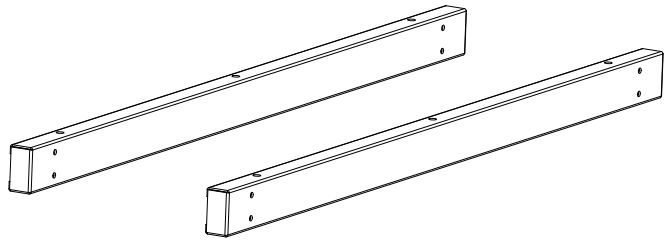
For assistance, call 1.877.306.8930; for UK 0800.031.4069; e-mail at [info@newageproducts.com](mailto:info@newageproducts.com)

# Weight Capacity



90° Corner Shelf  
Max 200 lbs.

## Granite Installation Rails included

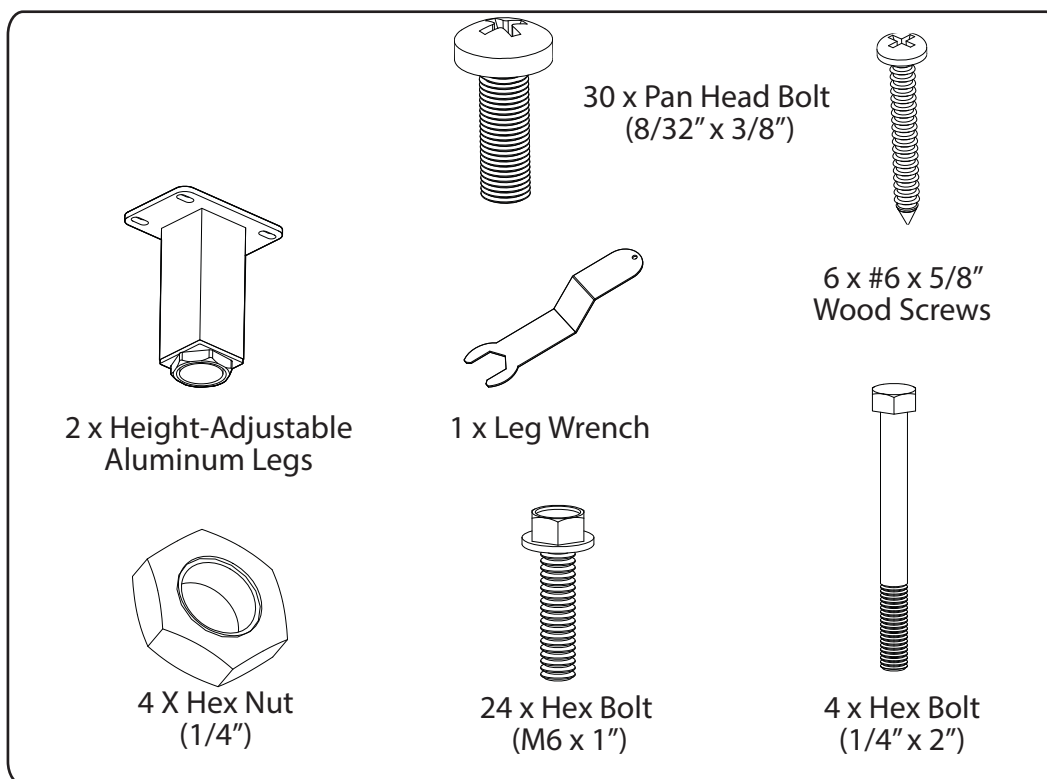


# Unpacking

- Begin by placing the package on a protected flat surface.
- Remove all cardboard, foam packaging material and clear plastic bags.
- Dispose / recycle all packaging materials.
- Verify all the contents in the box and gather the required tools. See "Parts" and "Tools Needed" in the list below.

# Parts Supplied

	Corner Shelf
Height-Adjustable Aluminum Legs	2
Hex Bolt ( M6 x 25mm)	8
Hex Nuts (1/4"-28)	4
Hex Bolt ( 1/4" -28 x 2")	4
Leg Adjustment Wrench	1
Pan Head Bolt (8/32 x 3/8")	30
<b><i>Optional Granite Top Installation Hardware</i></b>	
Pan Head Screw (#6-5/8" SS Wood Screw )	8



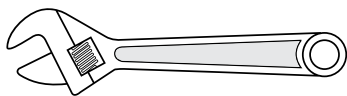
**OTHER NOTES TO CONSUMER:**

Discoloration due to the high heat, for example beside a grill, is a trait of stainless steel and is not covered. Surface rust resulting from acid rain or environmental chemicals are not covered. (Please see maintenance information to combat surface rust). NewAge outdoor powder coated finishes are designed to withstand weathering and are UV stable.

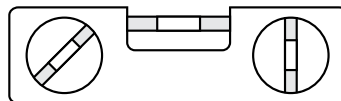
The 304 stainless steel material used in the construction of NewAge Outdoor Kitchen Cabinets is highly rust resistant, however, chlorine in the air from swimming pools or the salt from sea air may cause surface rust to appear and even create some pitting corrosion if left on the product. We strongly recommend a suitable maintenance tested product. We suggest cleaning all stainless steel surfaces at least every two weeks to keep your cabinets in prime condition. The chemical reaction from salt is easy to prevent however it is more difficult when left on the surface.

Additional product information is available at  
<http://www.newageproducts.com/outdoor-kitchen-limited-warranty>

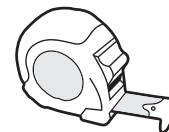
# Tools Needed



**1 x Adjustable wrench**



**1 x 24" Level**



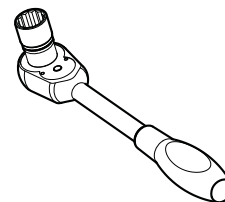
**1 x Tape Measure**



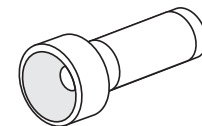
**1 x 10mm Open end wrench**



**1 x 10mm socket**



**1 x Socket wrench**

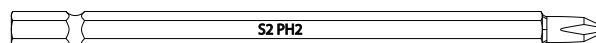


**1 x Flashlight**



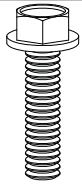
**1 x Cordless Power Drill**

**1 X PHILLIPS #2 6" EXTENSION BIT**

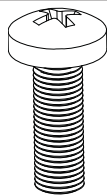


# Frame Assembly

## **i** Parts Needed.

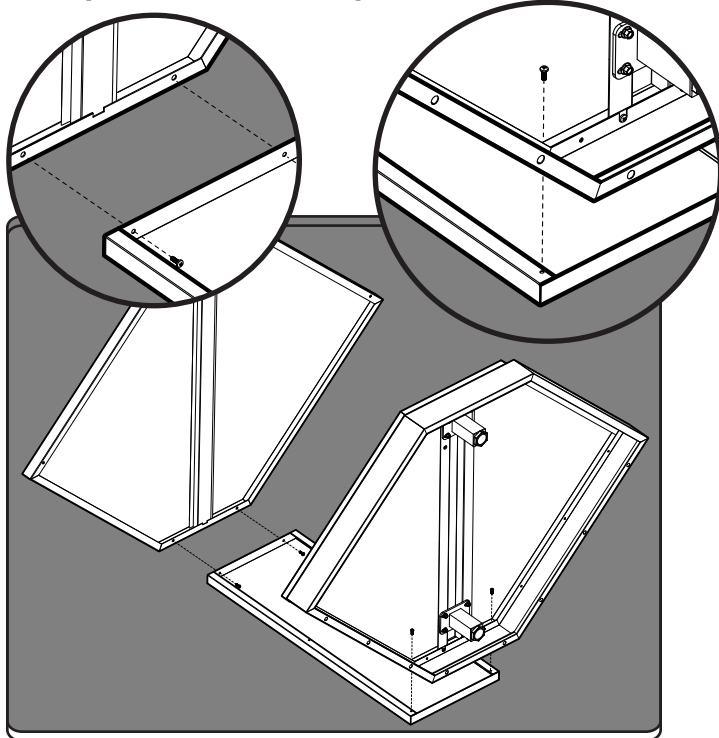


Hex Washer Bolt  
(M6 x 25mm)

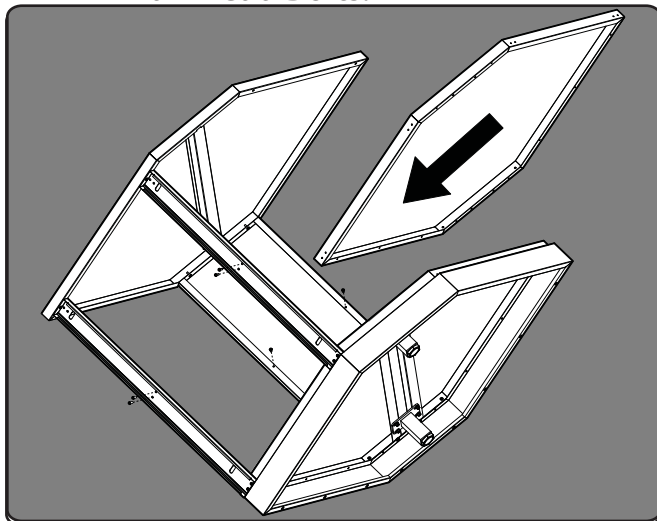


Pan Head Bolt  
(30 x 8/32 x 3/8")

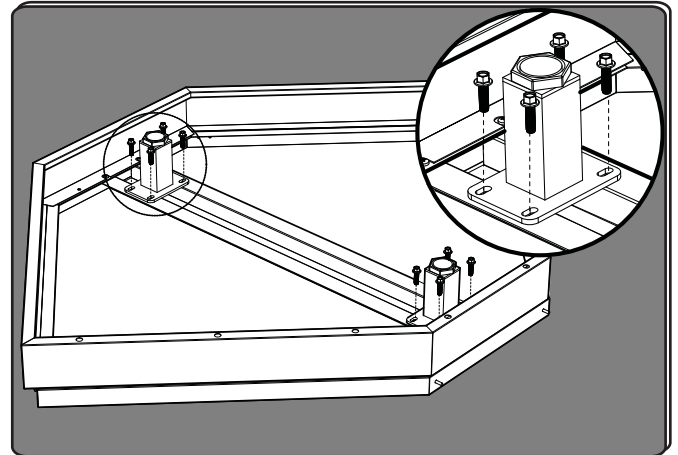
## **2** Attach Top to bottom shelf with back pan 4 8/32" x 3/8" pan head bolts.



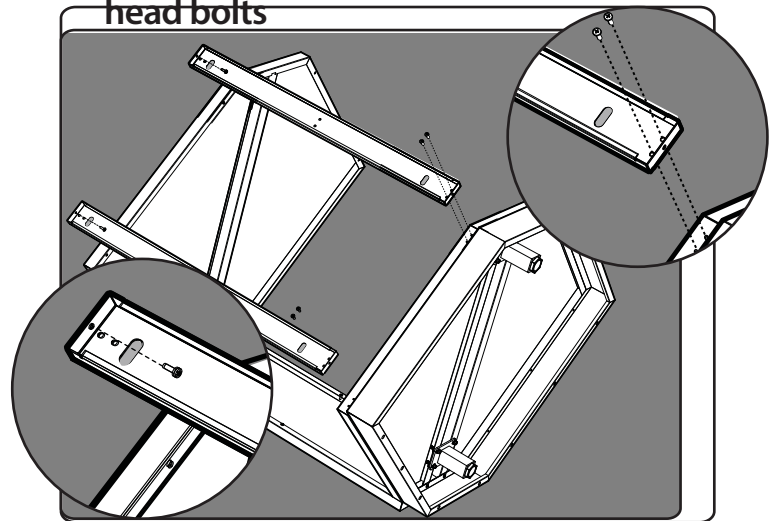
## **4** Attach shelf using 4X 8/32" x 3/8" Pan Head Bolts.



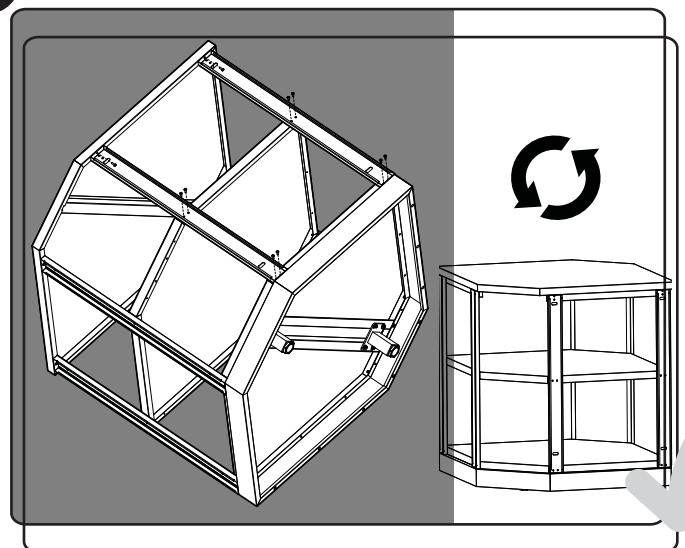
## **1** On protected surface, attach 2 legs to leg channel with 8 x M6 x25mm hex bolts.



## **3** Attach 2 uprights to top shelf and Base assembly using 4 x 8/32" x 3/8" pan head bolts

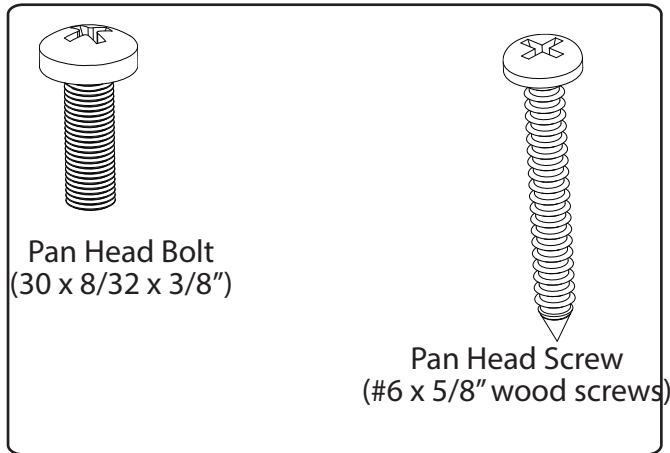


## **5** Repeat step 4 for 2 more vertical supports.

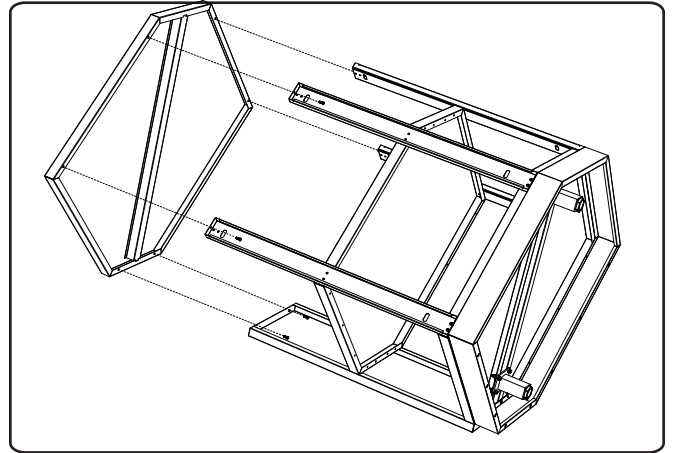


# Frame Assembly for Granite Top

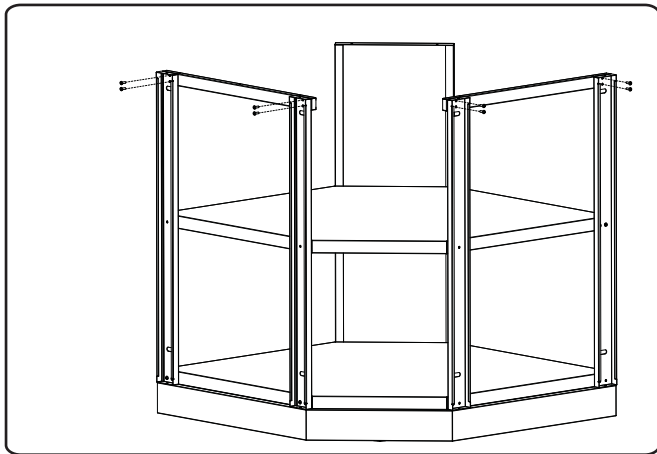
## **i** Parts Needed.



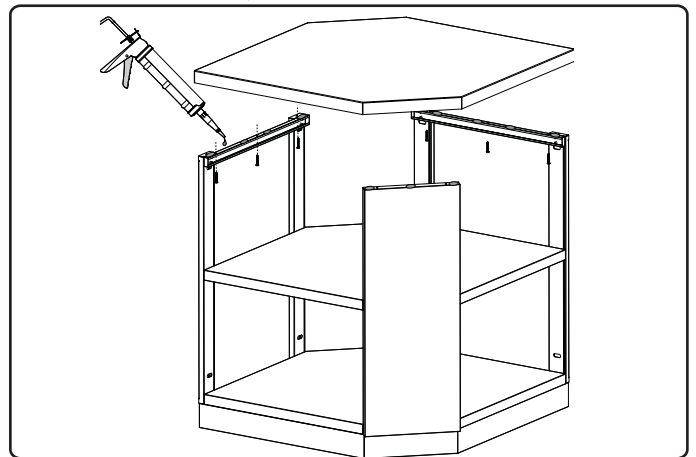
## **1** Undo Stainless Steel Top by removing 6 x Pan head 8/32" x 3/8" bolts



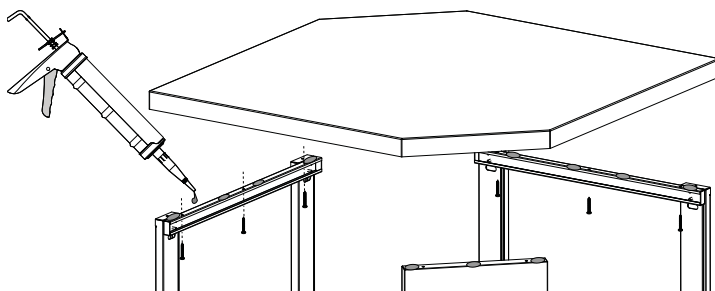
## **2** Attach 2 included Granite rails using 4 x 8/32" x 3/8" pan head bolts at top of supports.



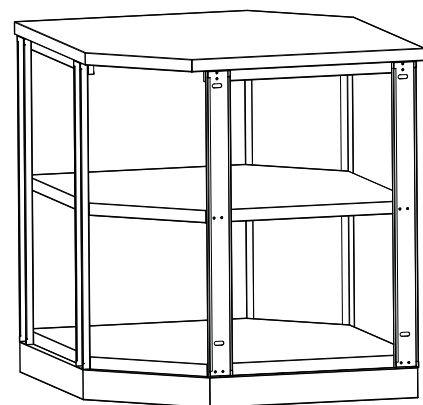
## **3** Attach Granite corner top with 6 x #6 x 5/8" Pan Head wood screws into Outdoor plywood granite backer.



## **4** Add silicone using 8 small dabs to hold top in place. Wipe up any extra silicone that seeps out during installation.

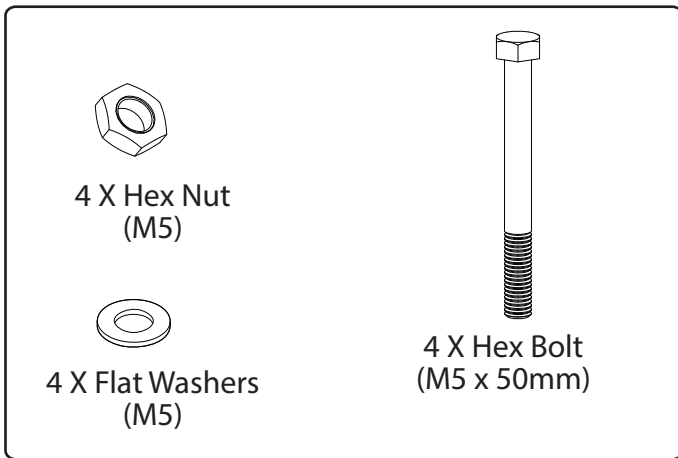


## **5** Allow the silicone to dry for 24 hours before loading weight on shelf.

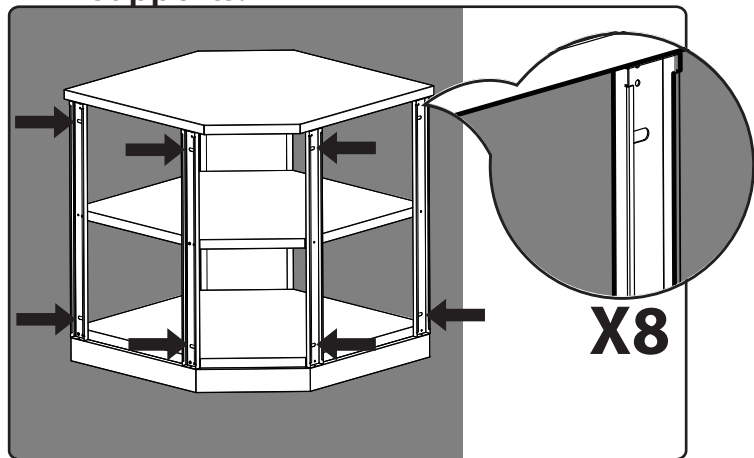


# Fastening Cabinets

## 1 Parts Needed.

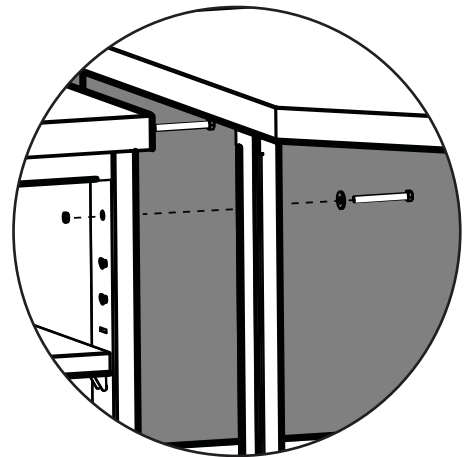
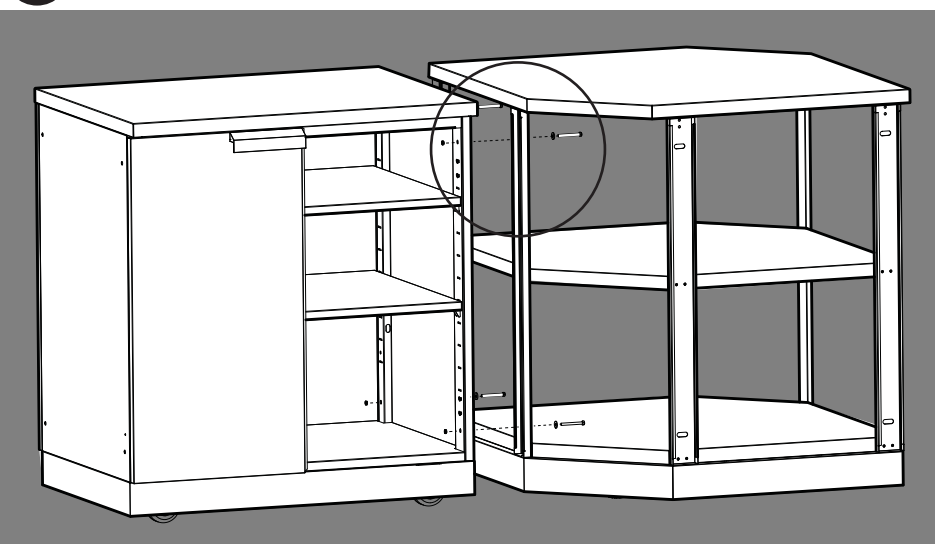


## 2 Locate bolt slots on upright supports.



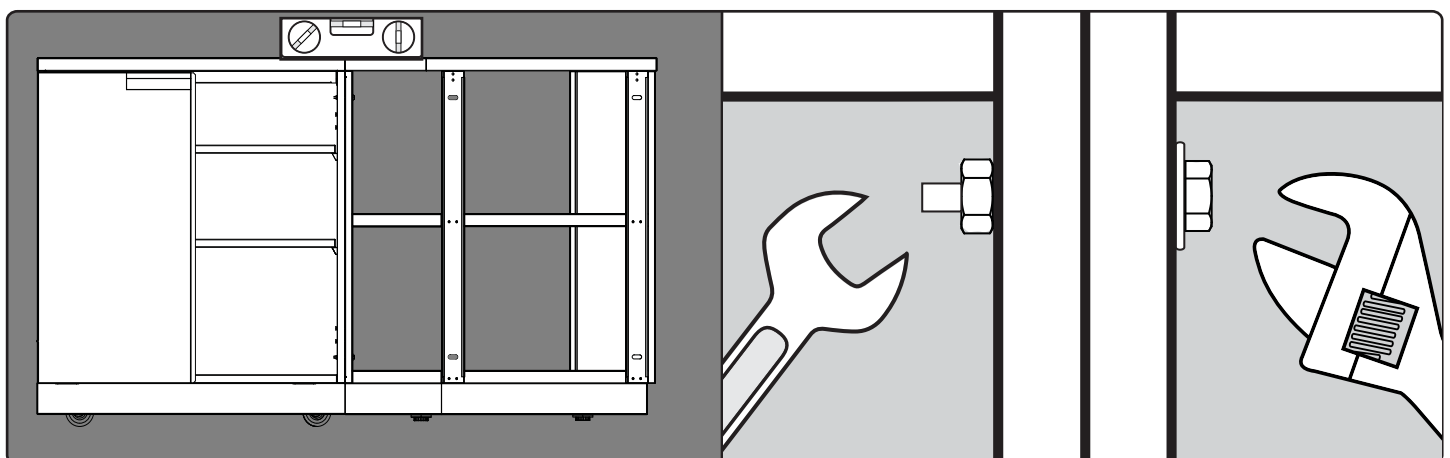
\*\*\* Door removed for ease of explanation \*\*\*

## 3 Align hole locations, put bolt and washer through holes tighten nut lightly.



**X4**

## 4 Level cabinets and tighten all bolts.







## OUTDOOR KITCHEN 32" Bar Cart SS

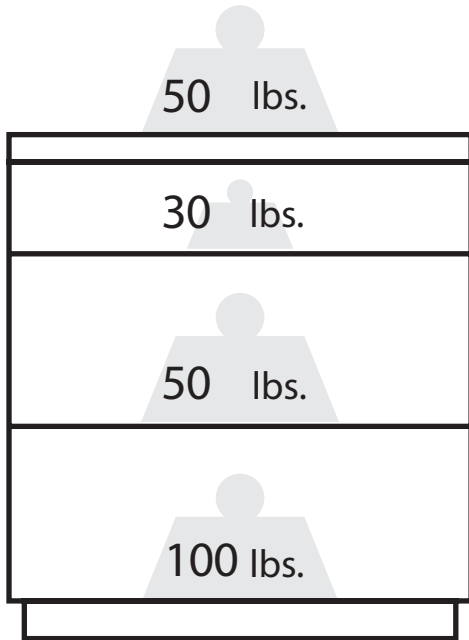


### **Warning: Excessive weight hazard!**

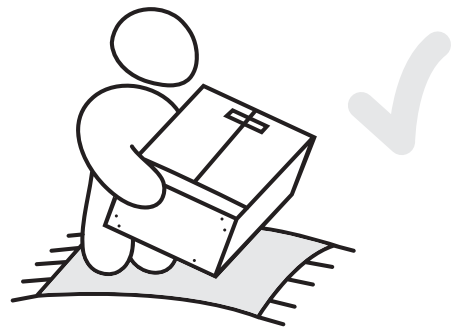
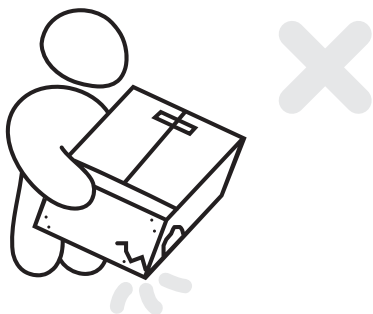
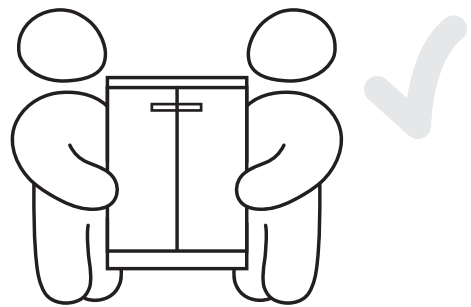
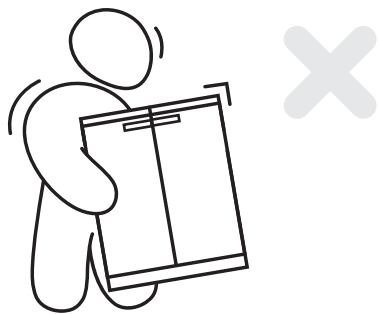
Use two or more people to move, assemble or install cabinets and shelves to avoid back injury.  
Do not leave children unattended near cabinets.

For assistance, call 1.877.306.8930; for UK 0800.031.4069; e-mail at [info@newageproducts.com](mailto:info@newageproducts.com)

# Weight Capacity



Bar Cart  
Max 230 lbs.

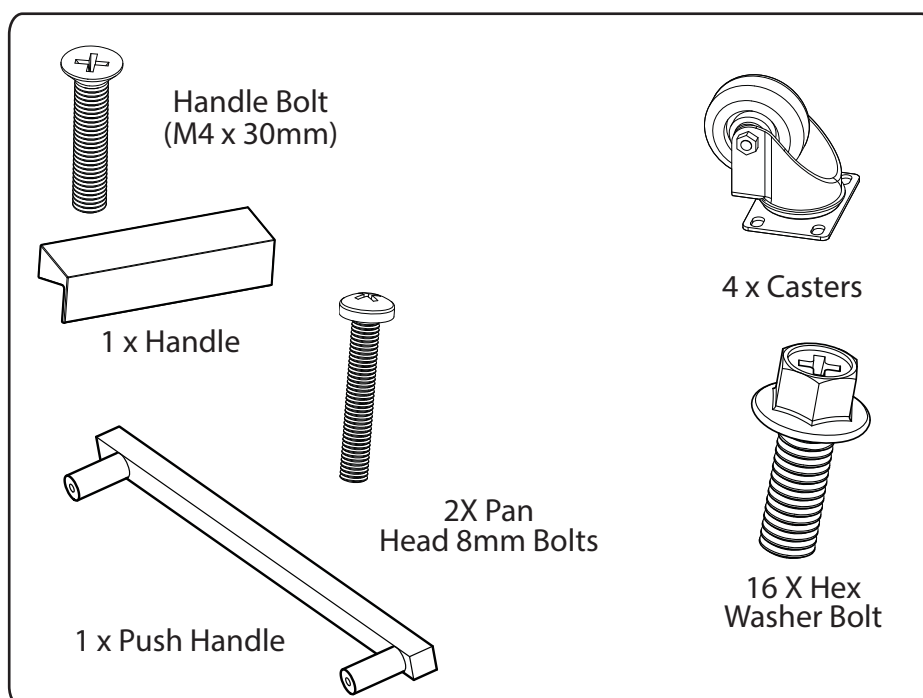


# Unpacking

- Begin by placing the package on a protected flat surface.
- Remove all cardboard, foam packaging material and clear plastic bags.
- Dispose / recycle all packaging materials.
- Verify all the contents in the box and gather the required tools. See "Parts" and "Tools Needed" in the list below.

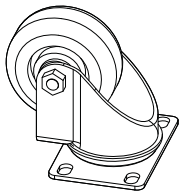
## Parts Supplied

	<b>Bar Cart</b>
Casters (2 with Brake for front, 2 without for back)	<b>4</b>
Hex Bolt (M6 x 12mm)	<b>16</b>
Handle Bolts (M4 x 30mm)	<b>2</b>
Push Handle Bolts (M8 x 60mm)	<b>2</b>
Stainless Square Tube Push Handle	<b>1</b>
Plated Aluminum Handle	<b>1</b>

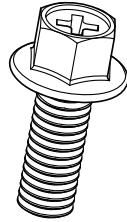


# Installing the Casters

## **i** Parts Needed.

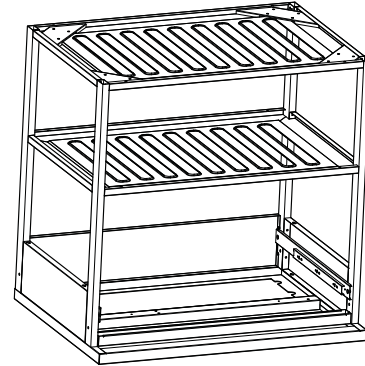


4 X Casters

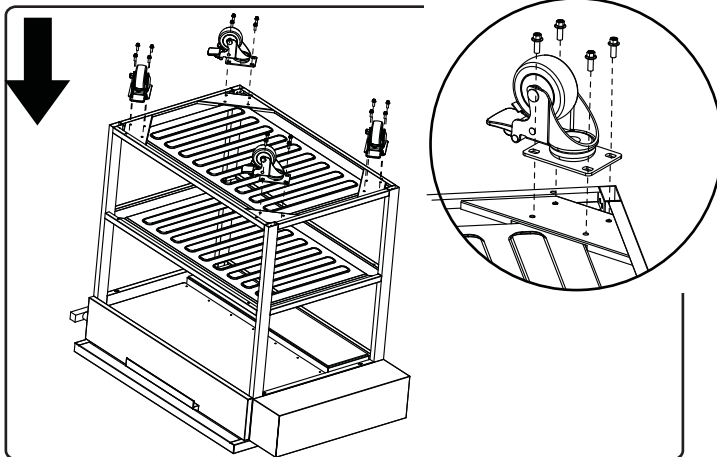


16 X Hex Washer Bolt

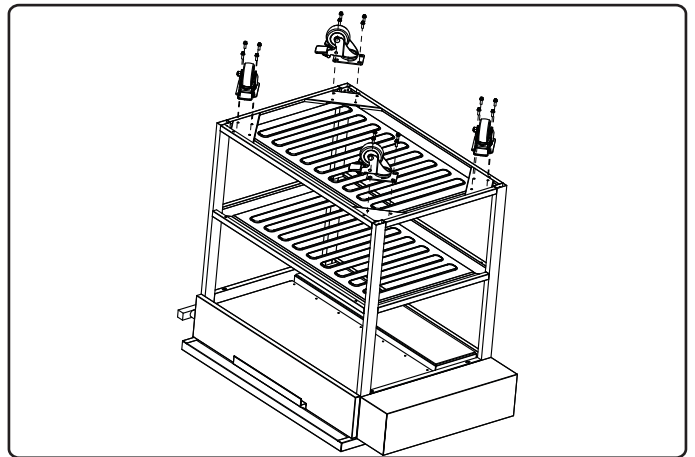
## **1** Flip cart upside down, locate holes on corner brackets.



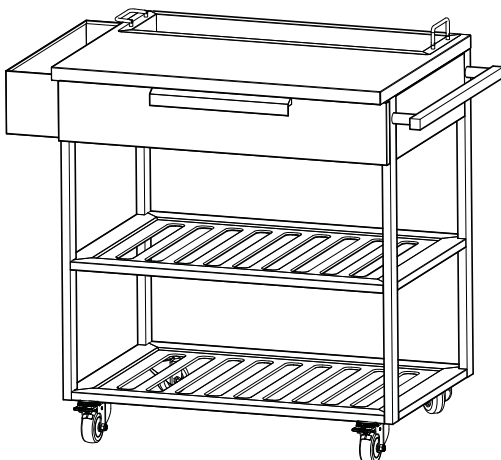
## **2** Align foot with holes on crossbeam. Screw in Hex bolts with washer and lock washer.



## **3** Repeat step 2 for each corner.

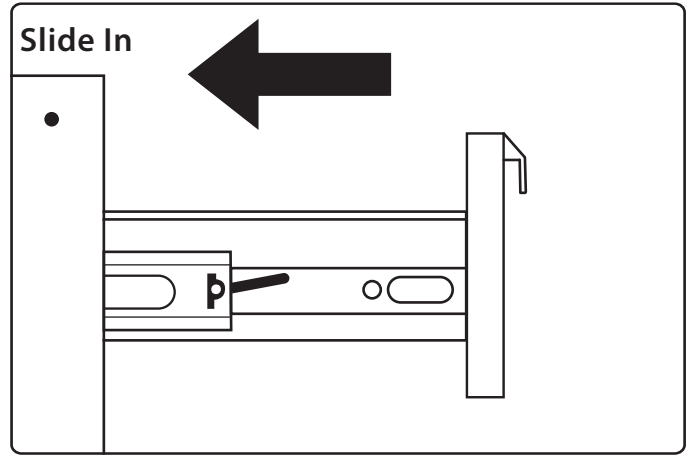
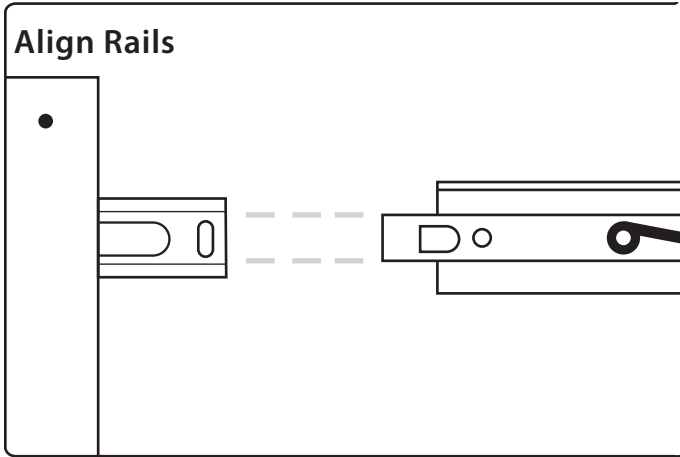


## **4** Stand cart upright.

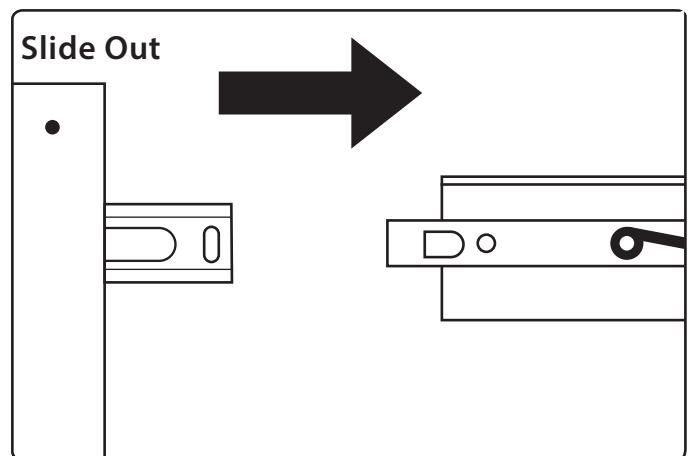
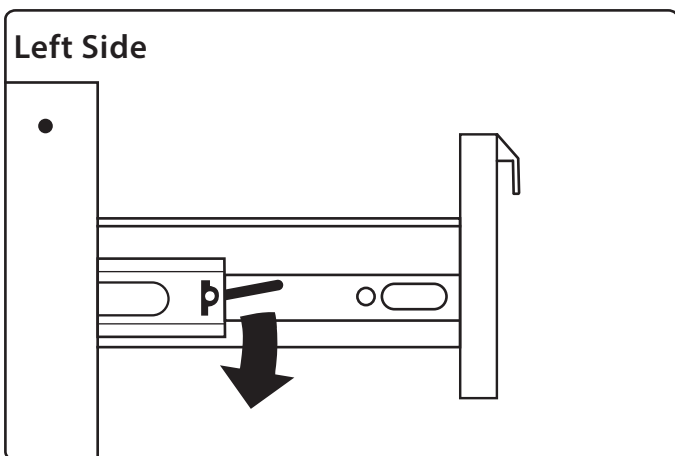
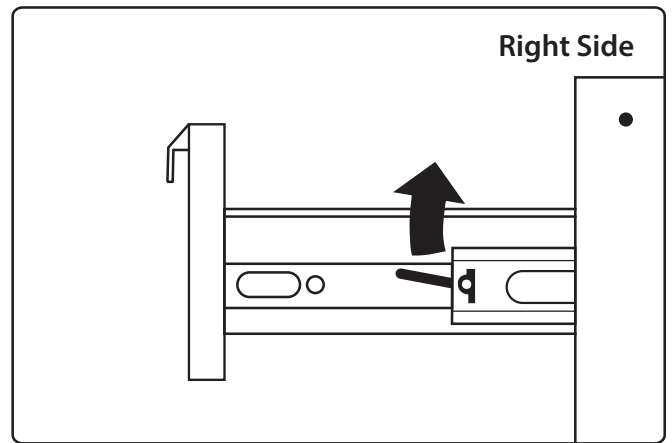


# Installing the Drawers

## Inserting Drawers.

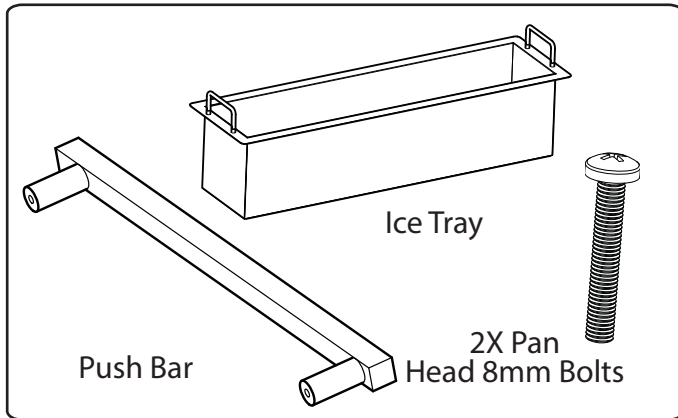


## Removing Drawers.



# Installing the Push Bar, Ice Tray, Liquor Rail

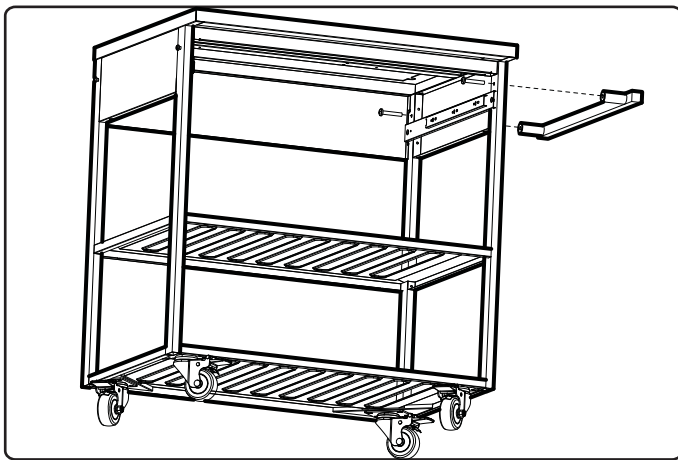
## **i** Parts Needed.



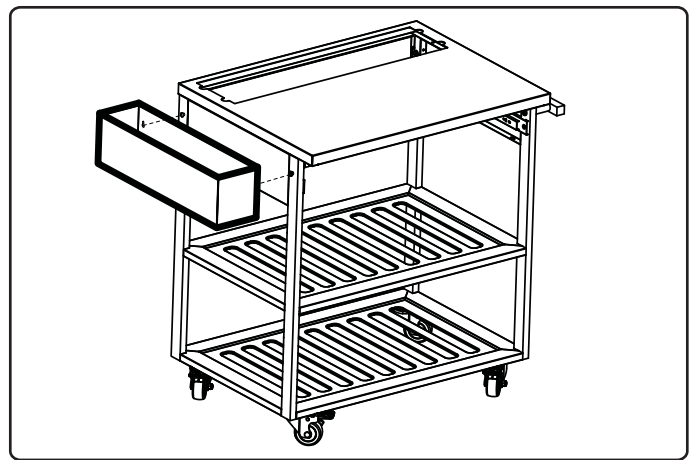
## **1** Push handle should be attached by two locations



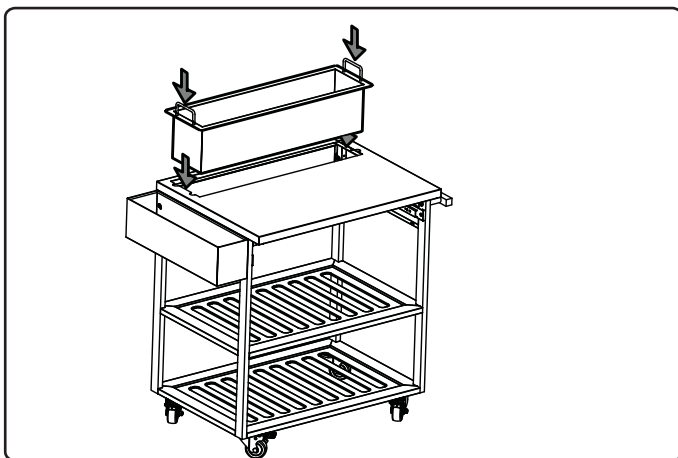
## **2** Tighten 2 x 8mm x 60mm bolts. In locations shown here.



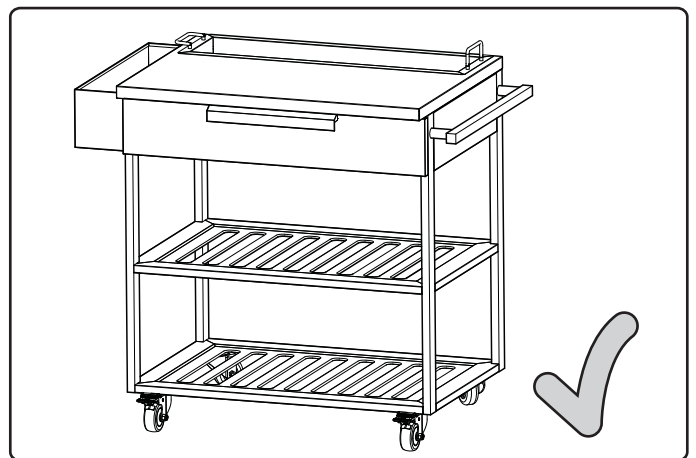
## **3** Add Liquor Rail by aligning bolt heads with keyhole slots in tray.

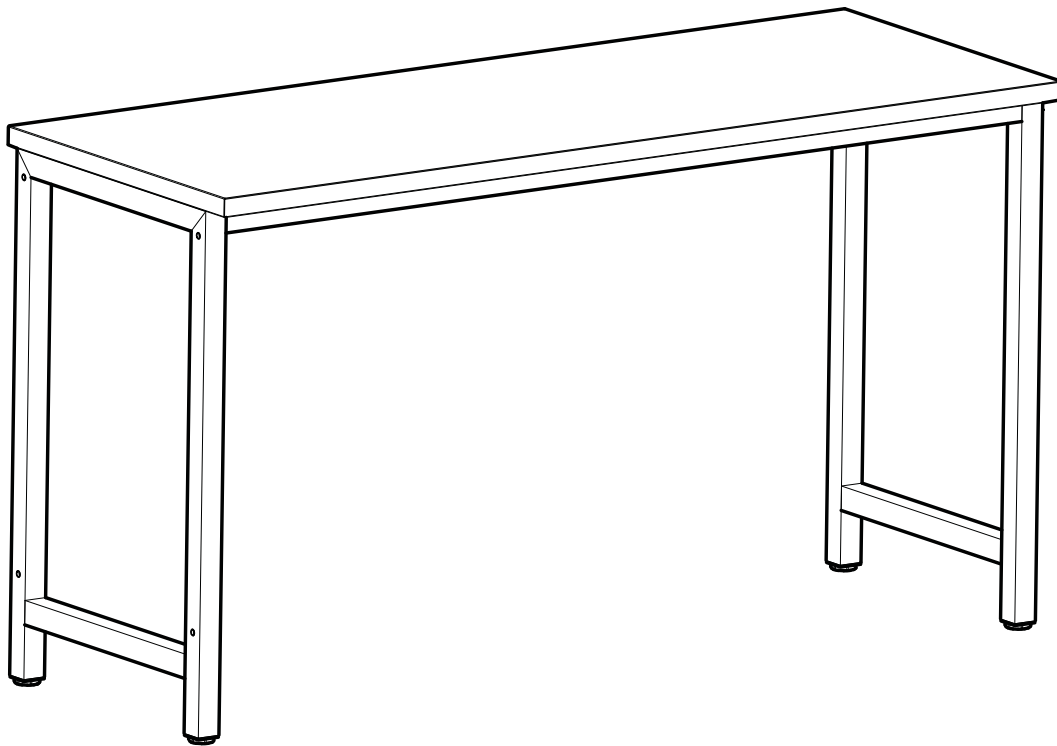


## **4** Add Ice tray using handles to drop into to cutout in cart top



## **5**





## OUTDOOR KITCHEN 64" Prep Table SS

---



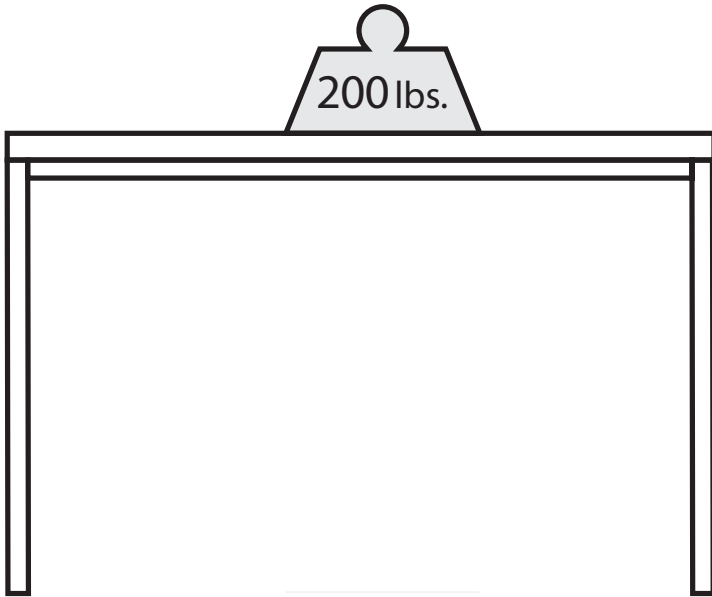
### **Warning: Excessive weight hazard!**

Use two or more people to move, assemble or install cabinets and shelves to avoid back injury.

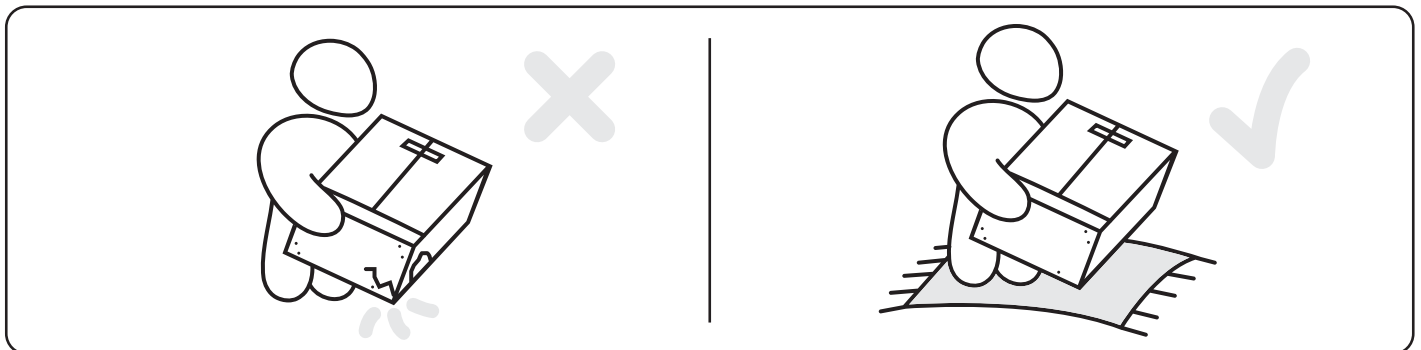
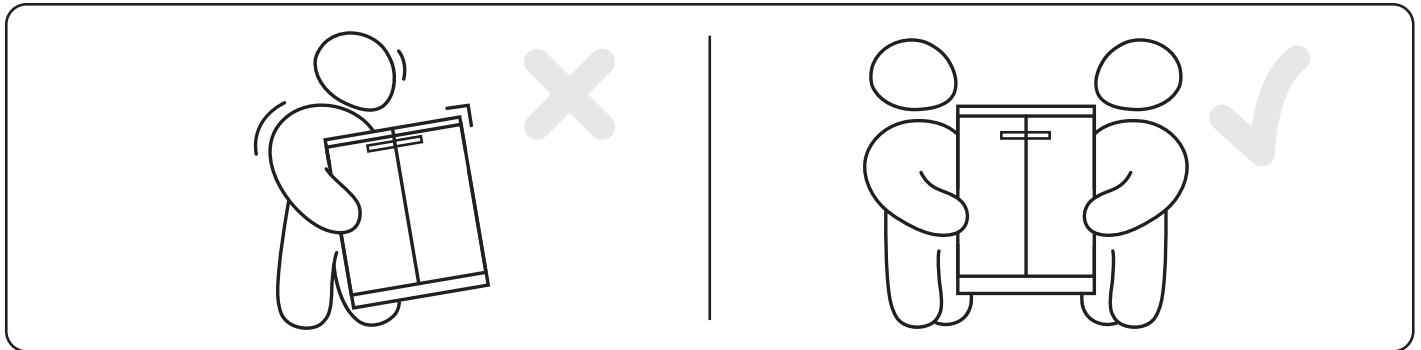
Do not leave children unattended near cabinets.

For assistance, call 1.877.306.8930; for UK 0800.031.4069; e-mail at [info@newageproducts.com](mailto:info@newageproducts.com)

# Weight Capacity



64" - PREP TABLE  
Max 200 lbs.



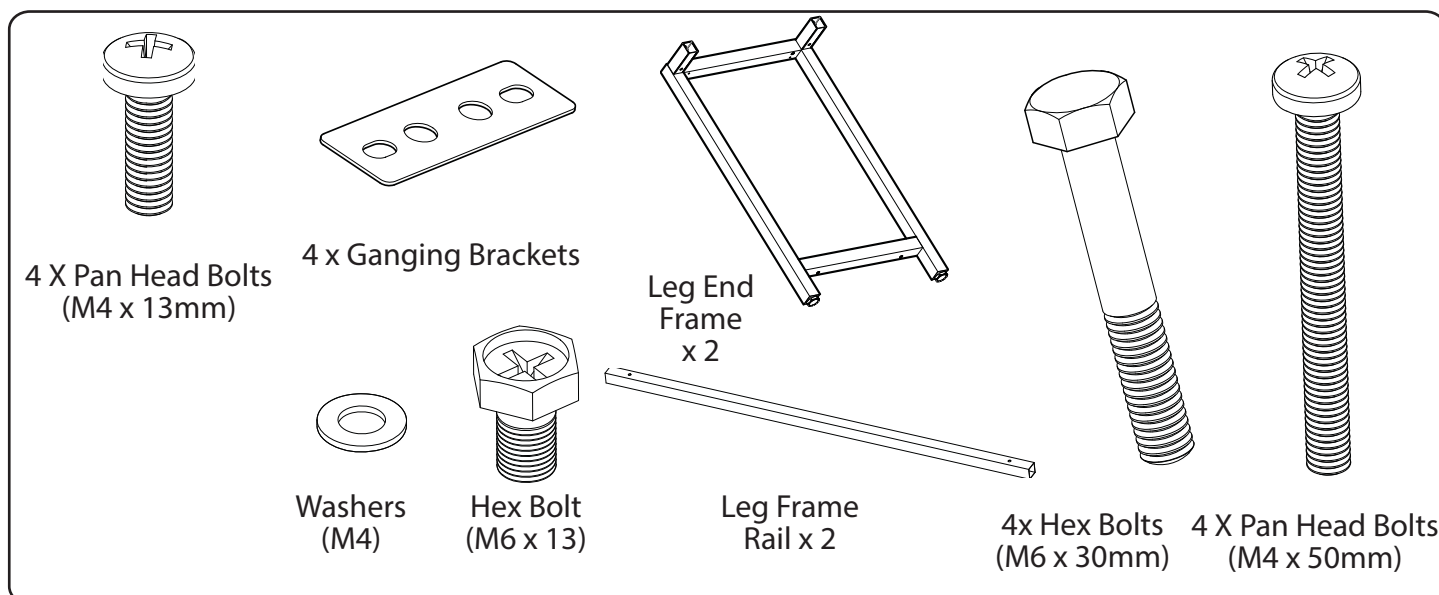


# Unpacking

- Begin by placing the package on a protected flat surface.
- Remove all cardboard, foam packaging material and clear plastic bags.
- Dispose / recycle all packaging materials.
- Verify all the contents in the box and gather the required tools. See "Parts" and "Tools Needed" in the list below.

## Parts Supplied

	<b>Prep Table</b>
Leg End Frames	<b>2</b>
Pan Head Bolt ( M4 x 50mm)	<b>4</b>
Hex Bolt ( M6 x 30mm )	<b>4</b>
64" Worktop Asm	<b>1</b>
Leg frame Rails	<b>2</b>
Ganging Brackets	<b>4</b>
Washers ( M4)	<b>8</b>
Pan Head Bolt ( M4 x 13mm)	<b>4</b>
Hex Bolt ( M6 x 13mm )	<b>8</b>



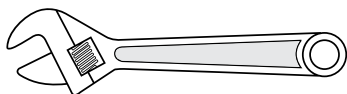
**OTHER NOTES TO CONSUMER:**

Discoloration due to the high heat, for example beside a grill, is a trait of stainless steel and is not covered. Surface rust resulting from acid rain or environmental chemicals are not covered. (Please see maintenance information to combat surface rust). NewAge outdoor powder coated finishes are designed to withstand weathering and are UV stable.

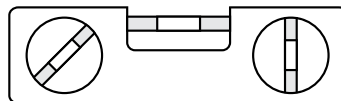
The 304 stainless steel material used in the construction of NewAge Outdoor Kitchen Cabinets is highly rust resistant, however, chlorine in the air from swimming pools or the salt from sea air may cause surface rust to appear and even create some pitting corrosion if left on the product. We strongly recommend a suitable maintenance tested product. We suggest cleaning all stainless steel surfaces at least every two weeks to keep your cabinets in prime condition. The chemical reaction from salt is easy to prevent however it is more difficult when left on the surface.

Additional product information is available at  
<http://www.newageproducts.com/outdoor-kitchen-limited-warranty>

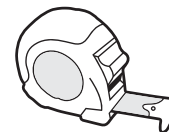
# Tools Needed



**1 x Adjustable wrench**



**1 x 24" Level**



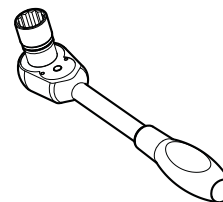
**1 x Tape Measure**



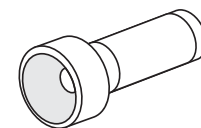
**1 x 10mm Open end wrench**



**1 x 10mm socket**



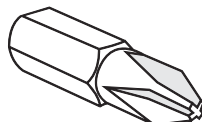
**1 x Socket wrench**



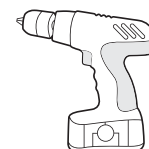
**1 x Flashlight**



**1 x #2 Phillips head screwdriver**



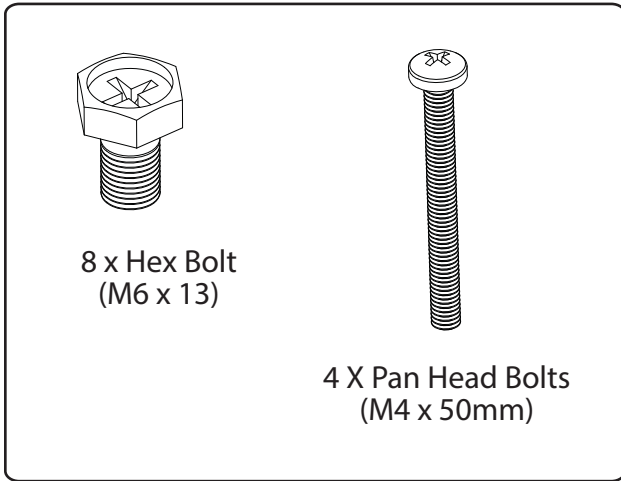
**1 x #2 Phillips Bit**



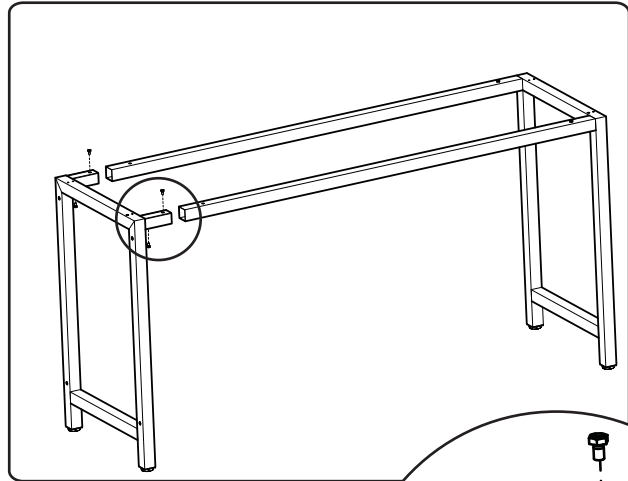
**1 x Cordless Power Drill**

# Table Assembly

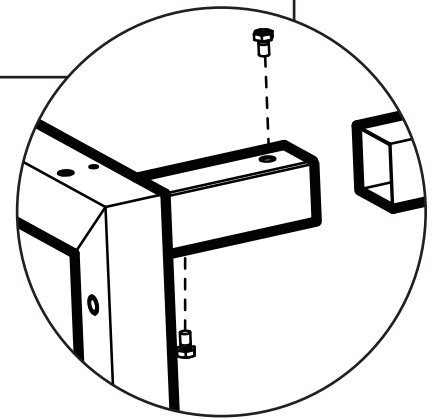
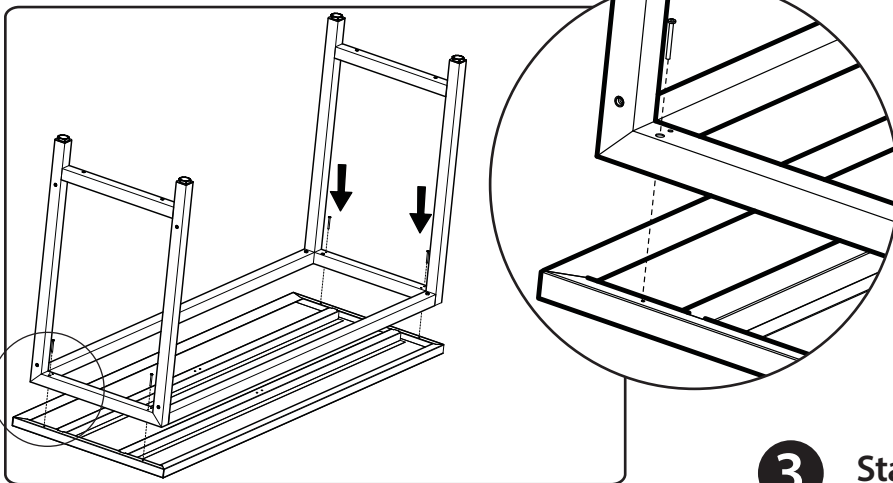
## **i** Parts Needed.



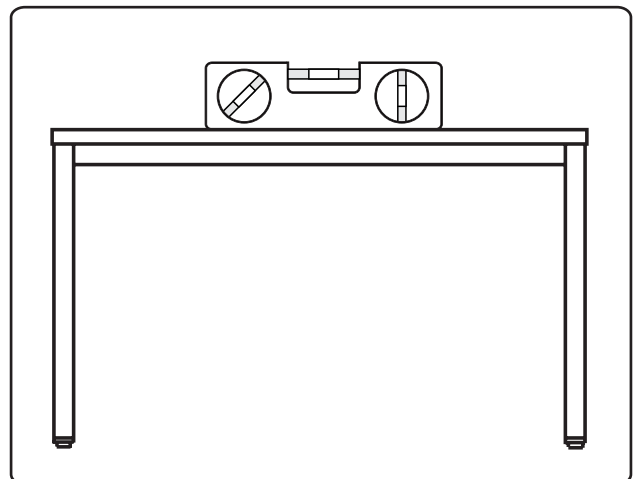
## **1** Insert Leg Frame into cross rails. Using M6 bolts to fasten the leg frame to cross rails.



## **2** Use 4 x M4x 40mm Pan Head Bolts to assemble Worktop to Leg Frame

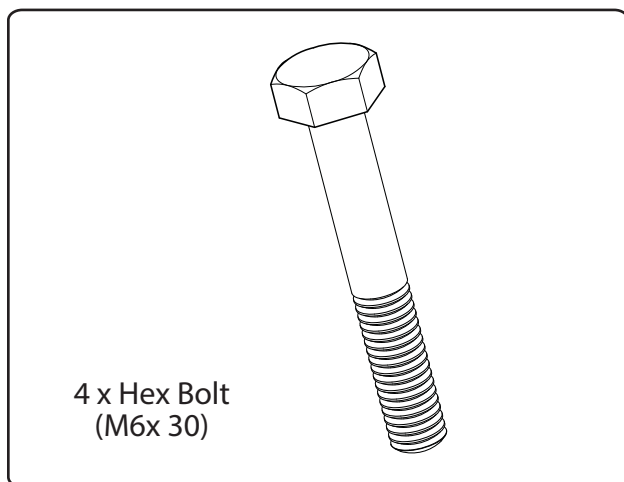


## **3** Stand and level Table

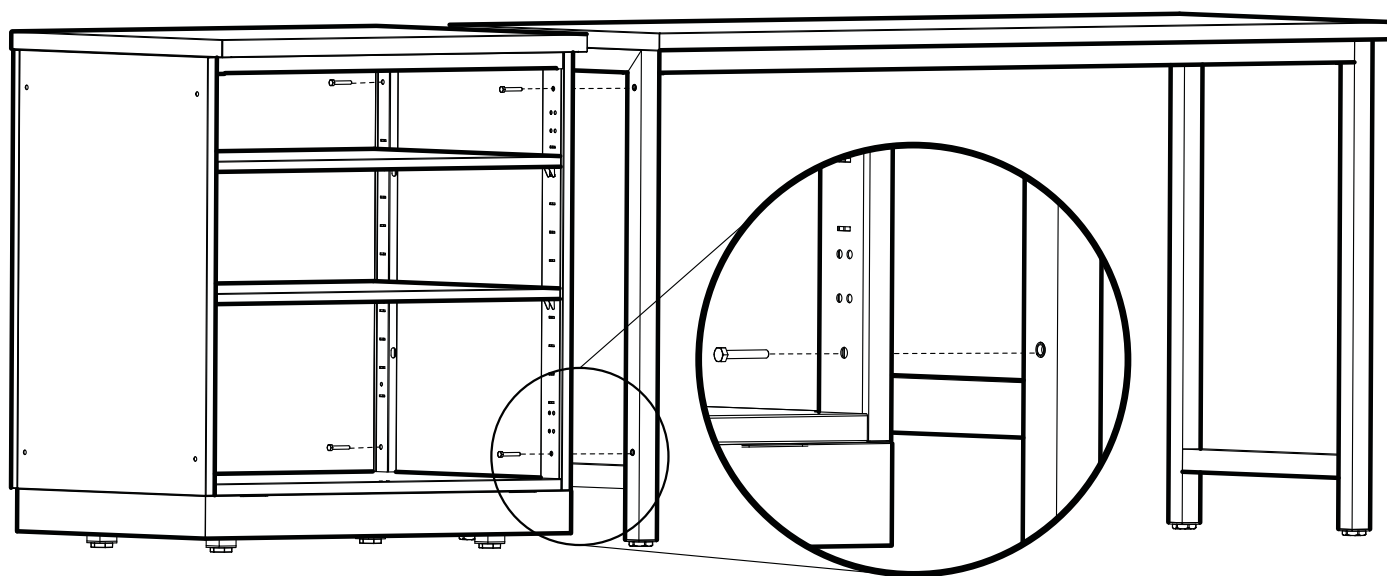


# Table to Cabinet Ganging

## **i** Parts Needed.



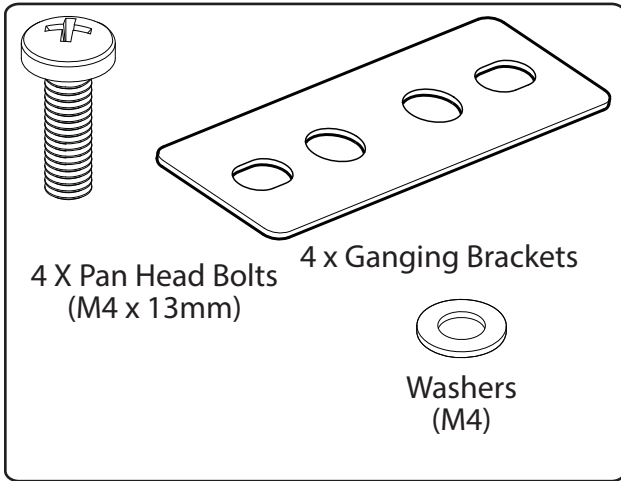
- 1** Align inserts in Table Leg Frame with with 4 Holes in side of Cabinet. Fasten 4 x 4mm x 40 mm Hex Bolts as shown.



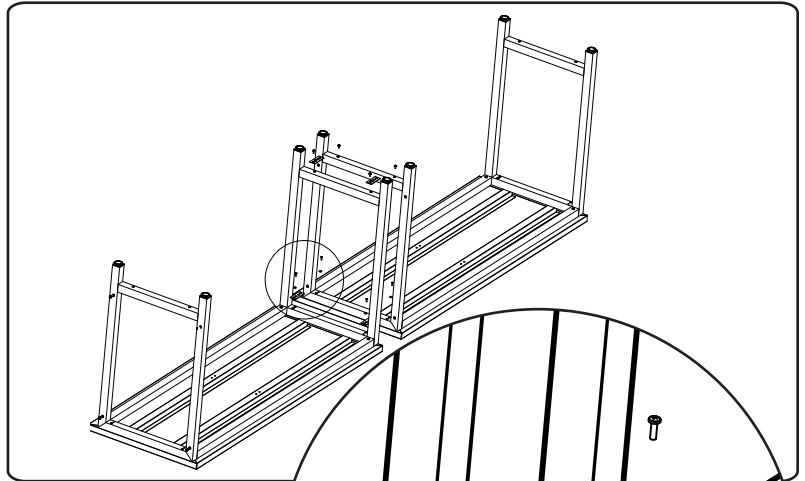
**Note:** Table has rivet nuts in legs to thread into.  
Insert bolt from cabinet side.

# Table to Table Ganging

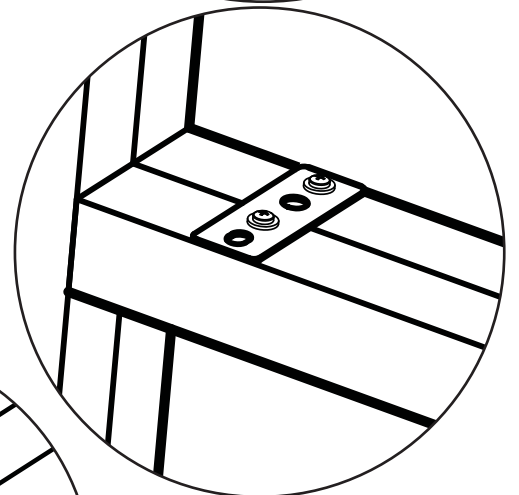
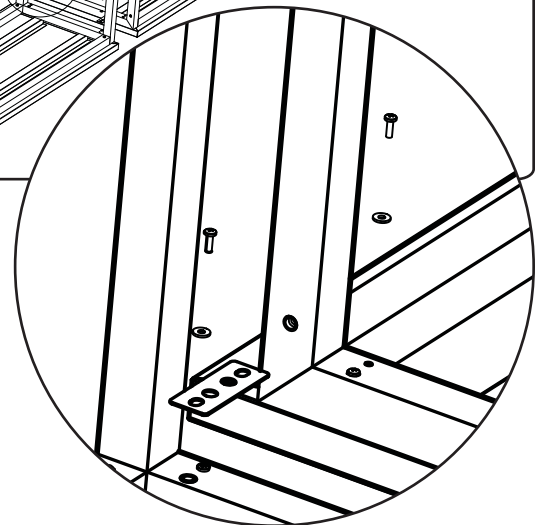
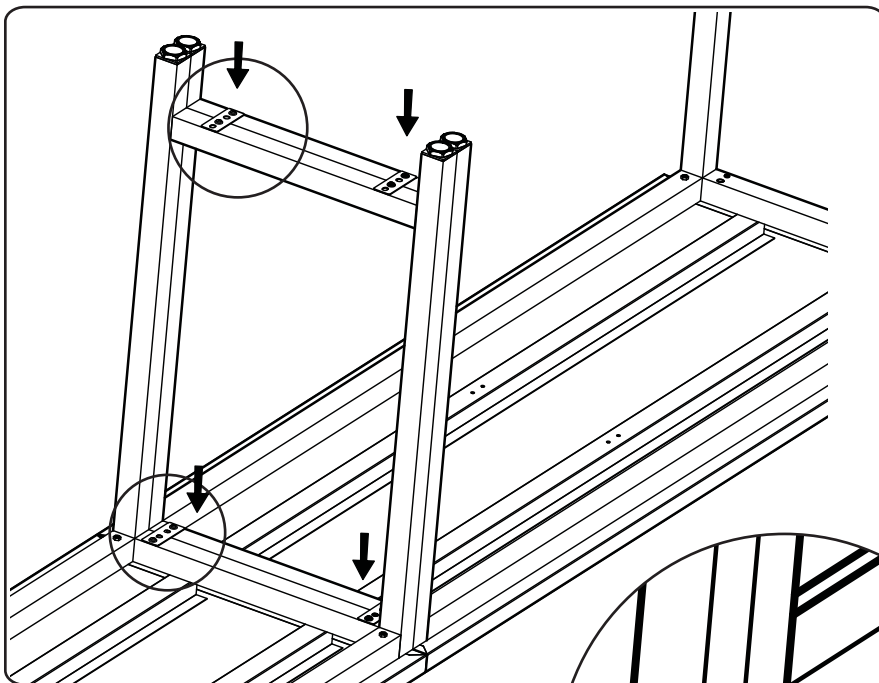
## **i** Parts Needed.



## **1** On a Flat Protected Surface flip over two tables and align them right to left sides as shown.



## **2** Using 4 Ganging Brackets and 2 x M4 Pan Head bolts per each bracket. Attach two tables together.



## **3** Position Brackets over existing bolt heads using clearance holes.

