



ASSEMBLY INSTRUCTIONS

Storage Drawers

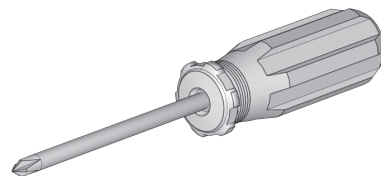
3", 6", 12"

Assembly Instructions Overview

Please read this brief overview before assembling your Hercke Series 7even system. What follows is an outline of the order in which your assembly process needs to occur.

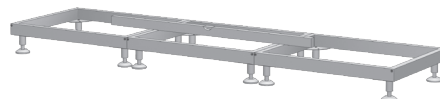
1

A Phillips head N0. 2 screwdriver is the only tool required to assemble Hercke® Series 7even® products. Depending on your installation requirements, other tools that may be helpful include a level, power drill and drill bits.



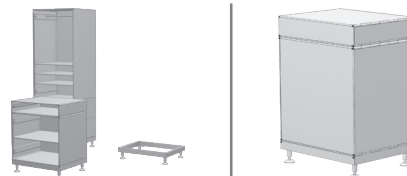
2

Assemble all platforms. Place platform in the desired location. Level each platform and make sure all platforms are level together.



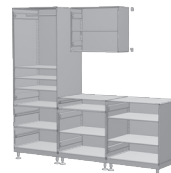
3

Pull platform out allowing yourself room to get behind the platform. Assemble cases. Stack cases and drawers on platforms in a single stack. Add Single E-Clips to the backside of cases and drawers. Slide the stack back into their final level position.



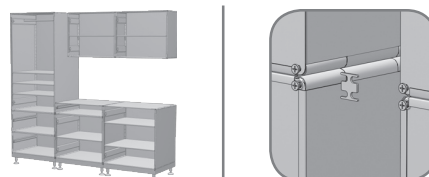
4

Assemble Overhead Storage Cases. Select overhead cabinet placement. Attach case using Wall Mount System or Channel Mount System.



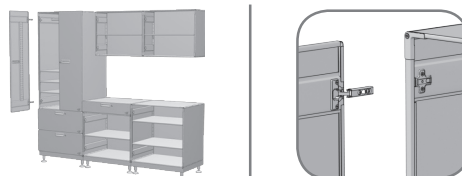
5

Fasten Single and Double E-Clips to adjoin cases and drawer modules.



6

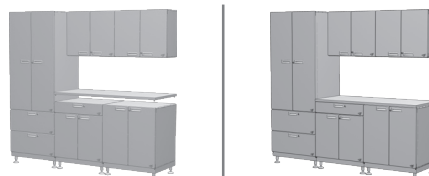
Snap door hinges to case hinge plates and adjust door positions.



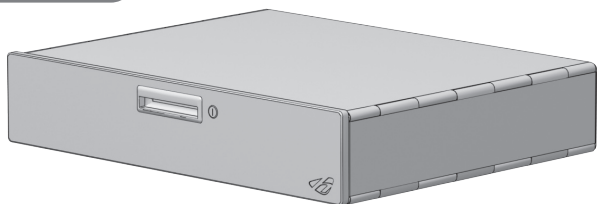
7

Attach work surface.

Chaos Defeated. Order Restored.



PARTS



A x1 pcs
Drawer Assembly



B x2 pcs
Key



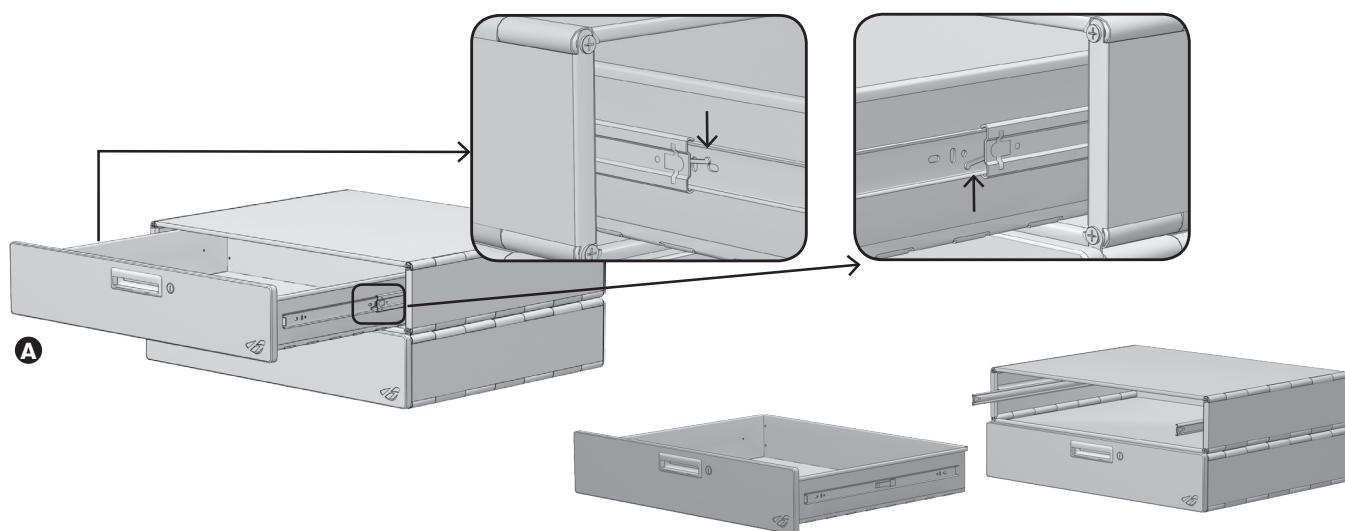
C x4 pcs
E-Clip



D x4 pcs
Double E-Clip

1

The drawer comes assembled. To remove the drawer from the case apply pressure to the black clips and pull the drawer towards you.

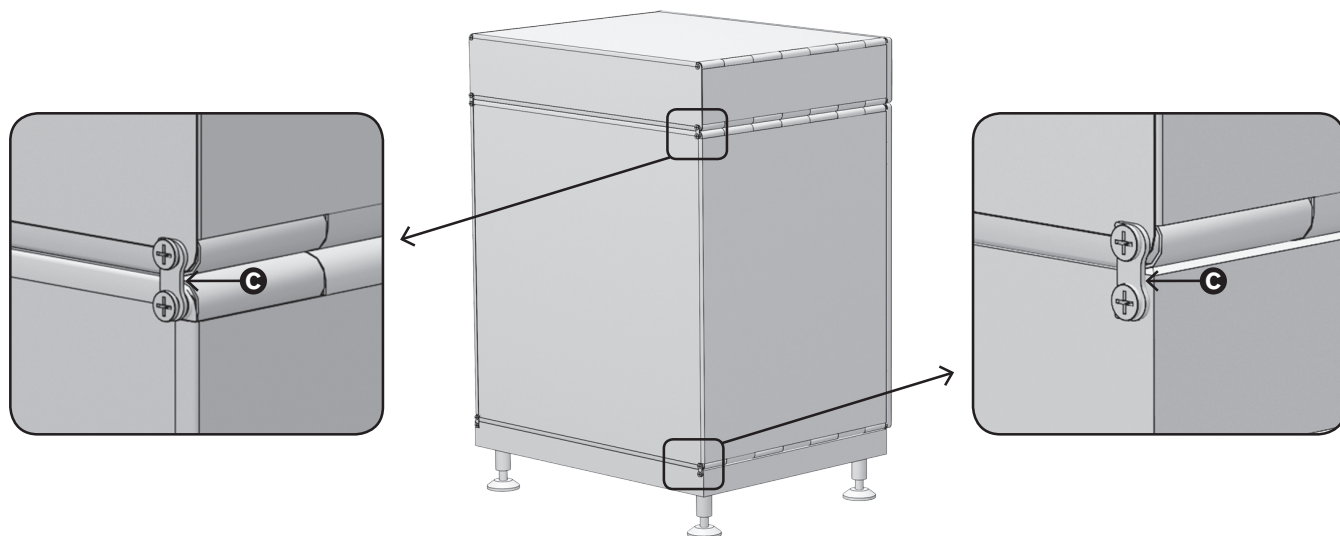


2

A Fasten Single E-Clip **C** which will link vertically stacked units as illustrated. (use as needed)

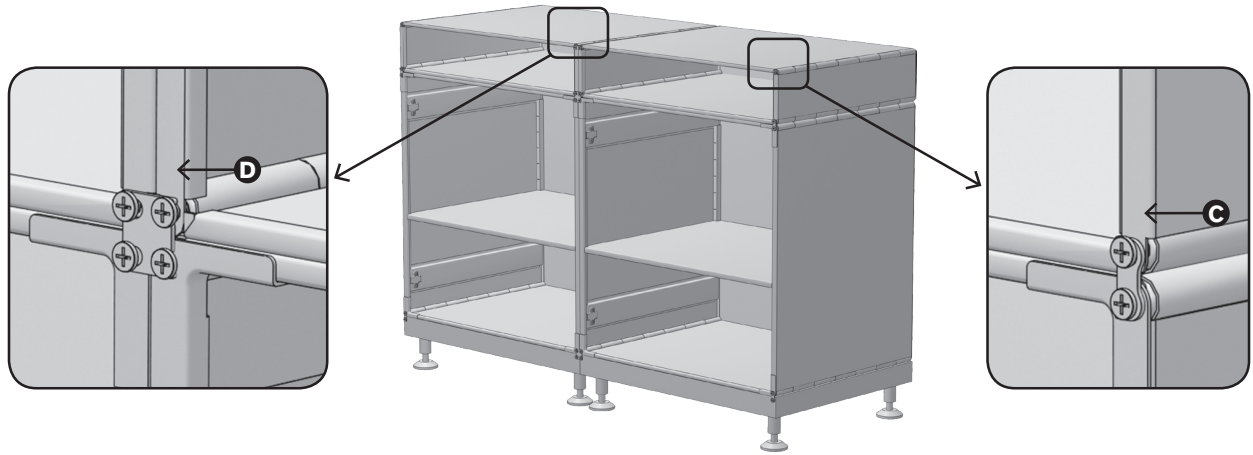
B Loosen screws and place clip flush with cabinet case.

C Tighten screws to fasten units in place.



3

- A** Before attaching doors fasten Single E-Clips **C** and Double E-Clip **D** which will link vertically and horizontally stacked units as illustrated. (use as needed)
- B** Loosen screws and place clip flush with cabinet case.
- C** Tighten screws to fasten units in place.



CLEANING AND CARE

Clean stainless steel surfaces using dry soft cotton cloth and stainless steel polish, buffing vertically with the line finish of the stainless steel.

Clean painted surfaces and coated surfaces using a mild dish soap and warm water solution. **DO NOT** use abrasive cleaners, glass cleaners, solvent based cleaners or furniture polish.



www.hercke.com | 866.767.3905 ext.16

Please visit www.hercke.com to download these instructions in your preferred language.